

Geared servo motors



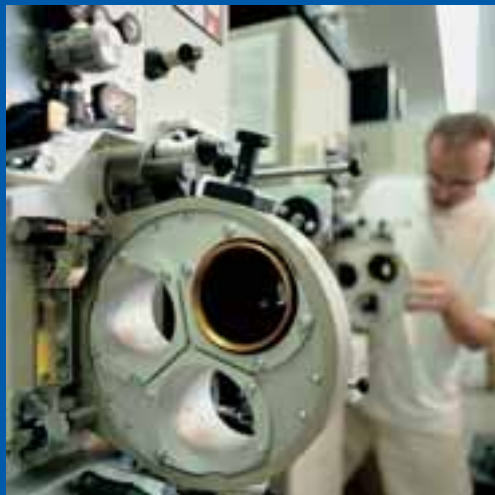
G-motion servo MD

G-motion servo MD

No matter which drive solution you imagine, we make your dreams come true.

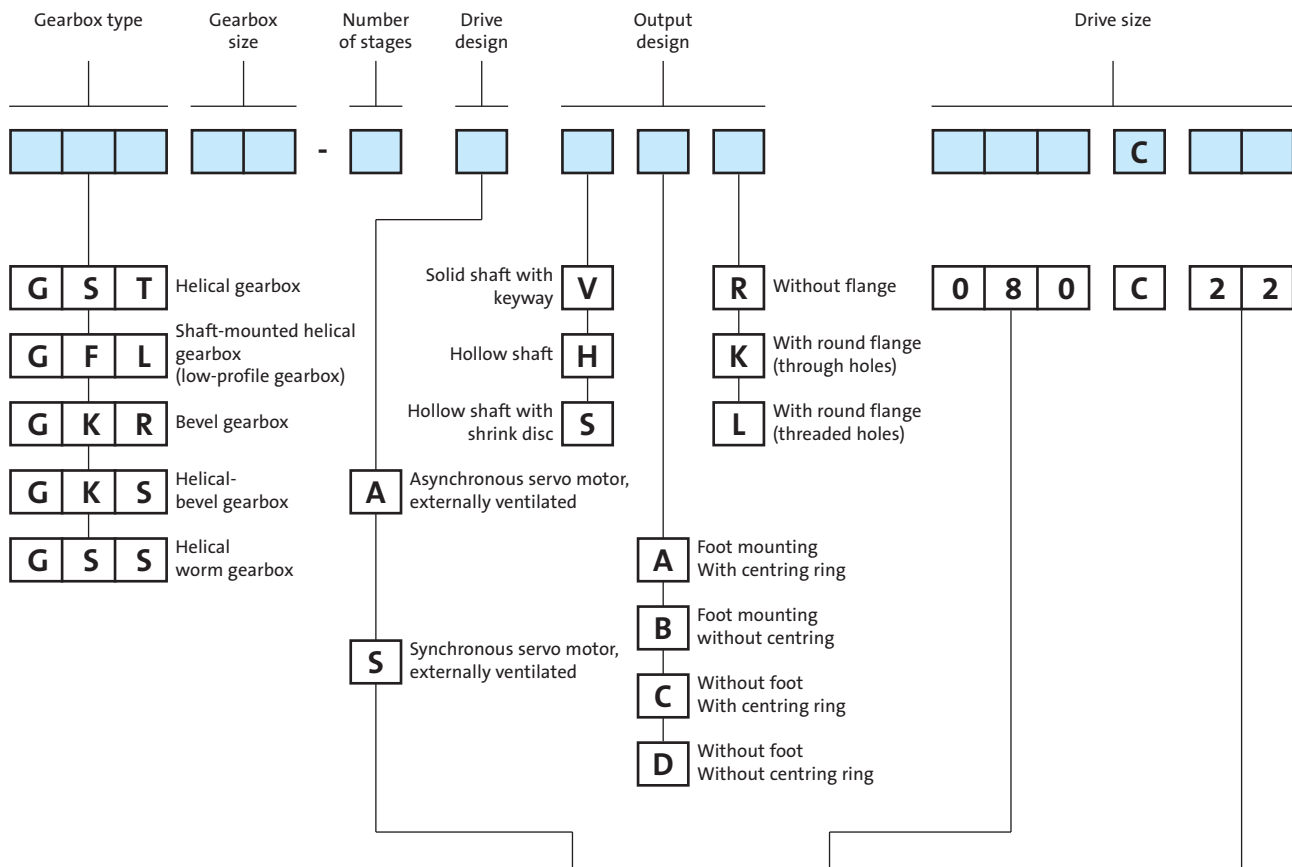
True to our slogan (one stop shopping) we offer you a complete program of electronic and mechanical drive systems which is distinguished by reliability and efficiency.

The scope of our program includes frequency inverters, servo controllers, variable-speed drives, speed reduction gearboxes, motors, brakes, clutches, decentralised I/O and operator and display units.

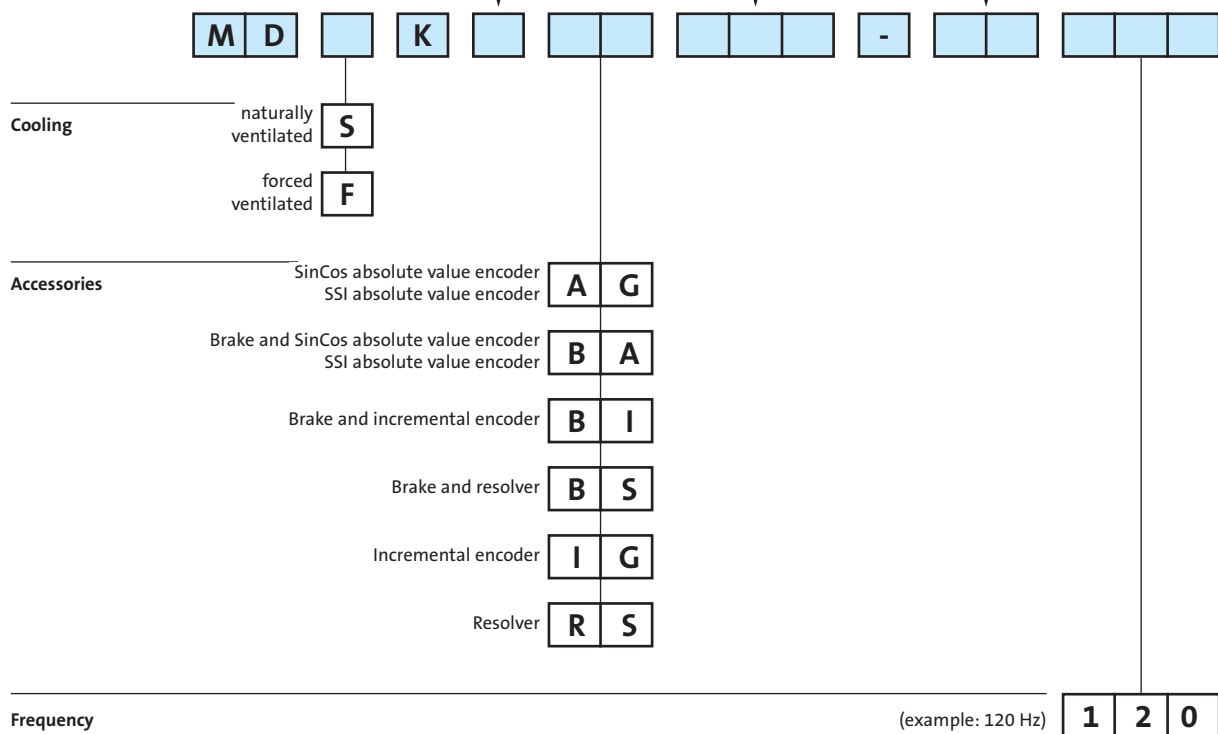


Many well-known companies use Lenze products in various applications

Product key | MD geared servo motors



Extended servo motor key



Frequency

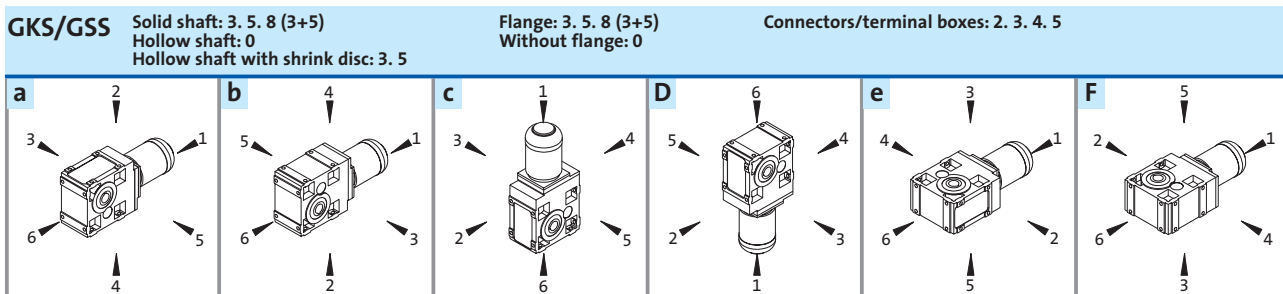
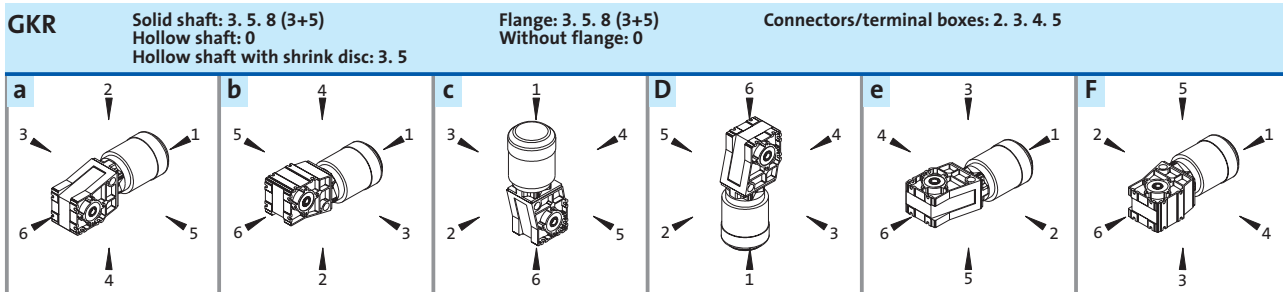
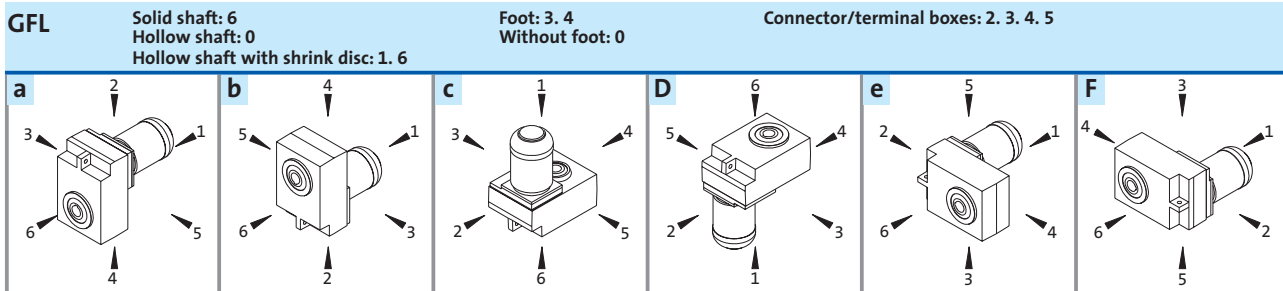
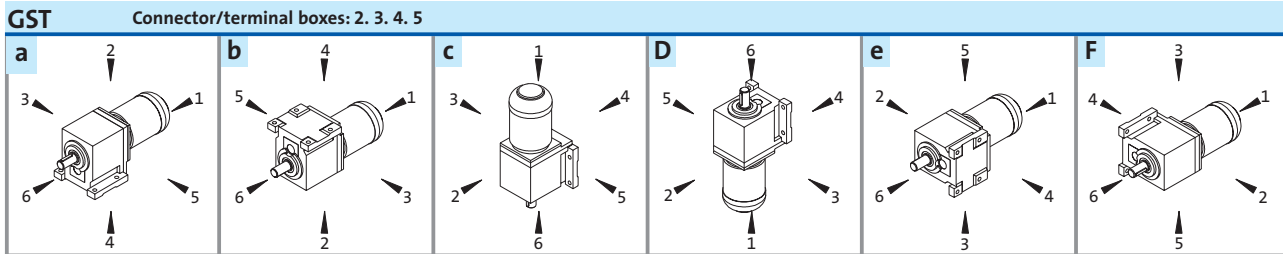
(example: 120 Hz)

1 2 0

For notes on ordering, sample order and fax orders see Chapter 1.

System blocks | Mounting position and position

Mounting position (A-F) a position of system blocks (1-6)



Lenze | An introduction

Lenze is the competent partner for your application. Lenze is not only a supplier for single components but also offers solutions for complete drive systems including planning, execution and commissioning.

Furthermore, a worldwide service and distribution network lets you engage a qualified customer advisory service and an after sales service that is fast and extensive.

Our quality assurance system for design, production, sales and service is certified according to DIN ISO 9001 : 2000. Our environmental management system is also certified to DIN EN ISO 14001.

Our customers set the standards for measuring the quality of our products. Our task is to meet your requirements, since customer orientation is a Lenze principle demanding the best quality.

See for yourself.



A worldwide service –
Our team of experts provides reliable and
professional assistance.

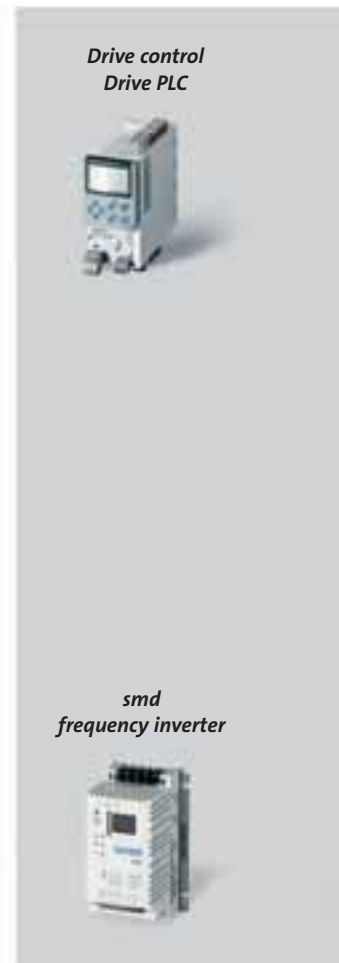
A true system | Drive and automation technology

Products which are setting the pace in terms of technology and complete drive solutions for machine and system production - just what Lenze is all about. We provide our customers with frequency and servo inverters with powers up to 400 kW. We support both central control cabinet solutions and decentralised drive concepts, e.g. with motor inverters with IP65 type of protection.

Both standard three-phase AC motors and synchronous and asynchronous servo motors are available to complement the various controllers, all of which can be combined with various types of gearboxes. Human Machine Interfaces, decentralised I/O systems and modules for fieldbus interfacing are also available for exchanging information.

Lenze boasts extensive application know-how in all manner of industries. This knowledge has been applied in the design of the controller and PC software, providing an efficient means of implementing numerous standard applications using simple parameter settings.

An all-round service comprising component selection advice, training, commissioning support and even a helpline which can be accessed all over the world and independent system engineering completes the offer.



9300 servo inverter



ECS servo system for multi-axis application



Communication modules



9300 vector frequency inverter



8200 vector frequency inverter



8200 motec motor inverter



starttec motor starter



PC software



Software packages



Servo motors



Small drives



Brakes and clutches



Geared motors

The range

The G-motion range - a tried-and-tested and versatile range of geared motors covering all standard gearbox designs

The G-motion range of geared motors already comes with broad functionality as standard and is available with many useful options at the input and output ends, giving the user great versatility.

Gearbox types

The gearboxes are available as

- ▶ Helical gearboxes
- ▶ Shaft-mounted helical gearboxes
- ▶ Helical-bevel gearboxes
- ▶ Helical-worm gearboxes
- ▶ Servo planetary gearboxes

Speeds

The large range of gearbox ratios with close spacing makes it possible to closely match the actual drive features to the required process parameters.

Integrated three-phase AC motors

- ▶ 4-pole 0.06 to 45 kW
- ▶ 2-pole 0.18 to 9 kW
- ▶ 6-pole 0.18 to 0.55 kW
- ▶ Synchronous servo motors 0.25 to 10 kW
- ▶ Asynchronous servo motors 0.8 to 20.3 kW

G-motion const/G-motion atex Geared motors and gearboxes with constant output speeds

- ▶ Power range 0.06 to 45 kW
- ▶ Torque range ≤ 12000 Nm



G-motion motec Geared motors with integrated 8200 motec frequency inverter

- ▶ Power range 0.12 to 7.5 kW
- ▶ Torque range ≤ 12000 Nm



G-motion servo MC/MD
Dynamic geared motors

- ▶ Power range 0.25 to 20.3 kW
- ▶ Torque range ≤ 12000 Nm



G-motion m-var
Geared motors with mechanical speed control

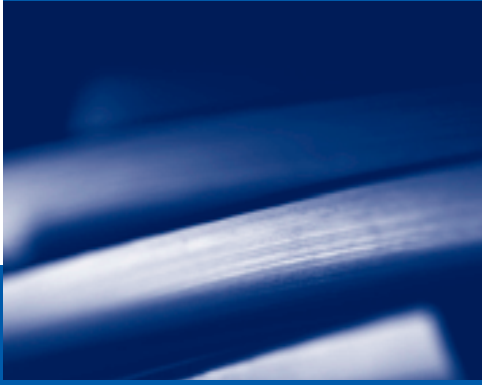
- ▶ Power range 0.25 to 45 kW
- ▶ Torque range ≤ 12000 Nm



G-motion MOC
Monorail overhead conveyor geared motors for light and heavy loads

- ▶ Power range 0.12 to 5.5 kW
- ▶ Torque range ≤ 900 Nm





Contents | G-motion servo MD

Product key, mounting positions _____ Front inside cover

General _____ 1-1

1

Drive dimensioning _____ 2-1

2

Helical gearboxes _____ 3-1

3

Shaft-mounted helical gearboxes (low-profile gearboxes) 4-1

4

Bevel gearboxes _____ 5-1

5

Helical-bevel gearboxes _____ 6-1

6

Helical-worm gearboxes _____ 7-1

7

Integrated servo motors _____ 8-1

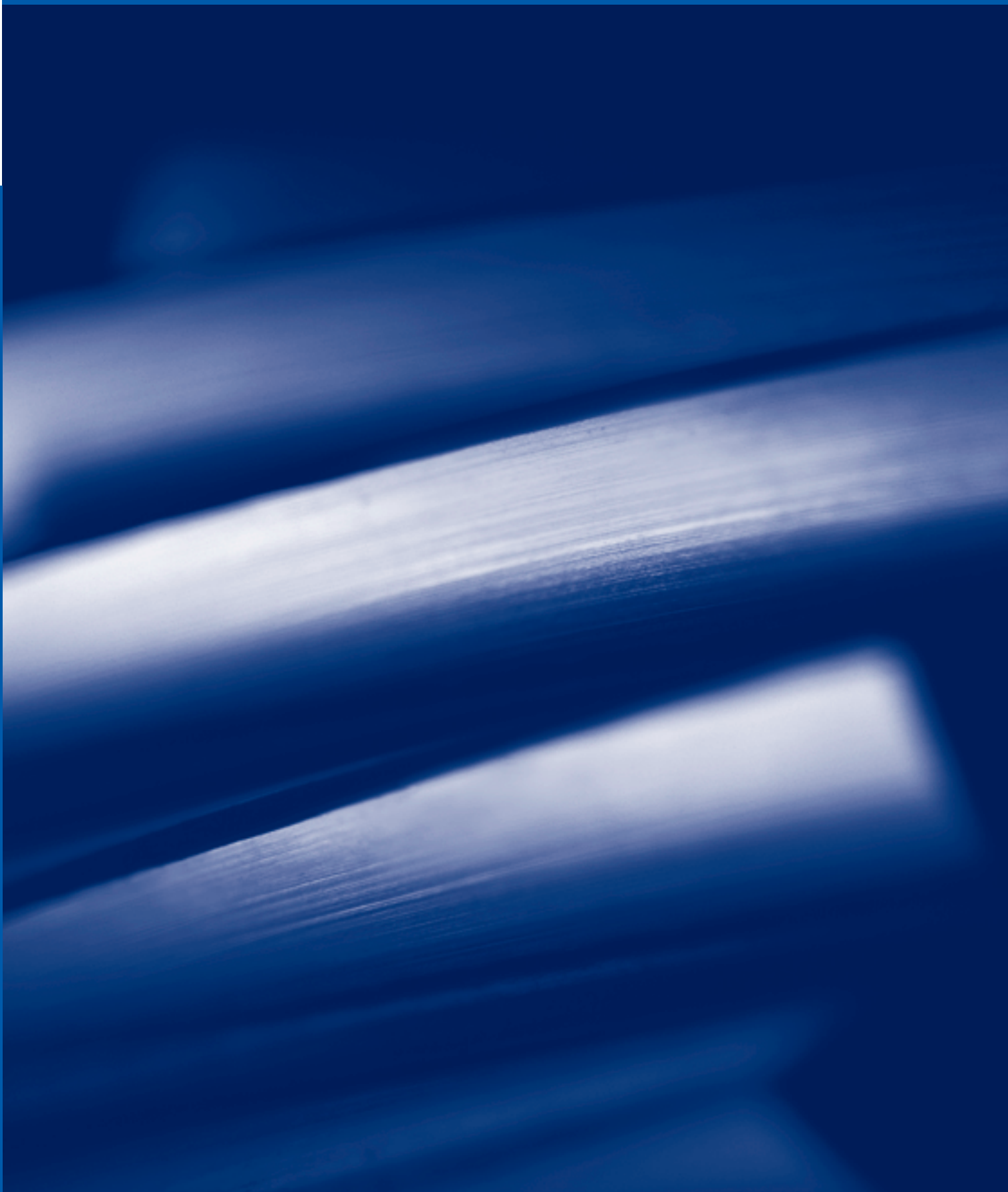
8

Servo inverter _____ 9-1

9

Lenze worldwide _____ 10-1

10

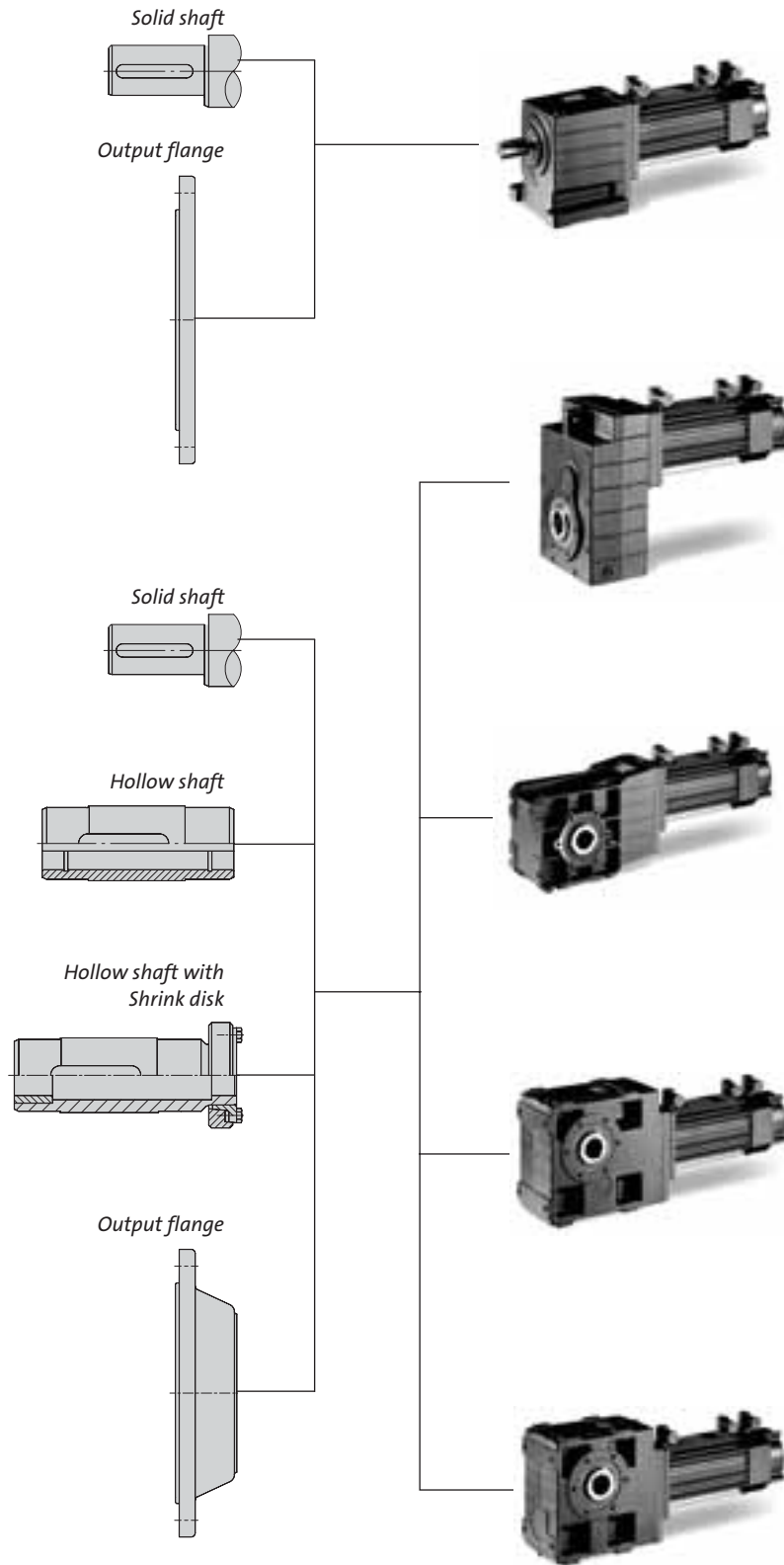


General information | G-motion servo MD

The range	1-2
Product information	1-4
List of abbreviations	1-6
Definitions	1-8
Notes on ordering	1-9
Example order	1-10
Fax order form	1-12

Geared servo motors with high functionality thanks to numerous variation and motor options on the gearbox-side.

1



Helical geared motors
GST
0.8 ... 20.3 kW
Parallel-axial solid shaft geared motors with foot and flange mounting. As on all other models, the optimised tooth geometry ensures that the gearboxes run particularly smoothly.

Shaft-mounted helical geared motor
GFL
0.8 ... 20.3 kW
Recommended for use as shaft-mounted geared motor with hollow shaft. Play-free connections and high teeth quality minimise backlash.

Bevel geared motors
GKR
0.8 to 6.9 kW
Right-angle geared motors in a low to medium torque range with wear resistant bevel teeth. The relatively high efficiency means that energy can be saved in this power range, too.

Helical-bevel geared motor
GKS
0.8 ... 20.3 kW
Solid shaft or hollow shaft right-angle geared motors with relatively high efficiency. Pinpoint output speeds are possible due to the ratio range, which has been carefully stepped.

Helical worm geared motors
GSS
0.8 to 13.2 kW
Cost-effective right-angle geared motors with high power density. They can be integrated into the machine structure easily using the pitch circle at the output end and mounting surfaces on three gearbox faces.

Built-on accessories for motors

- ▶ Resolver
- ▶ Absolute value encoder
- ▶ Incremental encoder
- ▶ Brake
- ▶ Circular connector
- ▶ Terminal box

The servo drives are characterised by very high dynamics combined with excellent process repeat accuracy. The interplay of the geared servo motor with the 9300 servo inverter results in a perfectly harmonised drive unit.

This combined unit can provide a cost-effective solution for low backlash even in complex drive tasks. The mechanical connections between the motor and gearbox create a fixed unit. Feedback systems such as resolvers or SinCos encoders ensure accuracy.

Unlike standard three-phase AC motors, the servo motors are characterised by their low moment of inertia, light weight, high maximum speeds and wide speed setting range.

In accordance with requirements in respect of dynamics or control range, synchronous servo motors rated from 1.1 to 5.9 kW or asynchronous motors rated from 0.8 to 20.3 kW are used. These motors can be self-ventilated or forced ventilated.

In such applications, process tasks are managed by the intelligent drive. Thanks to its integrated technology and control functionalities, the 9300 servo inverter is able to handle complete process or part processes.

Dynamic and accurate

The servo motors are characterised by a low moment of inertia and a high overload capacity. Continuous temperature measurement with a built-in temperature sensor ensures temperature-independent optimum control characteristics. They can be combined with 9300 servo inverters to achieve high speed accuracy, excellent smooth running characteristics and high rates of angular acceleration.

Long service life

The high level of quality which Lenze requires of the components used ensures that the requirements of modern drive technology in respect of operational reliability and service life can be met.

The key to the long service life of the winding is a higher-torque insulation system with thermal reserve (enamel-insulated wire to temperature class H, utilisation to F). Prestressed roller bearings with high-heat-resistant grease ensure the long service life of the motors.

Operational reliability

The IP54/IP65 motor enclosure (naturally ventilated only) provides reliable protection against dust and water.

CE conformity

MDXK servo motors naturally meet the requirements of the following EU guidelines:

- ▶ CE conformity with the low voltage directive
- ▶ CE conformity with EMC directive for a typical drive configuration with inverter.

The use of integrated system cables makes it easy to maintain electromagnetic compatibility.

No compromises where output speed is concerned

The wide ratio range of the gearboxes combined with the small ratio step of 1.12 enables the required output speed range to be selected with precision.

Compact

The high power density of the geared motors minimises the dimensions of the drive units.

The use of geared servo motors with direct mounting of the motors makes for particularly compact drives.

Adaptable

The modular structure of the motors and the concept-based variants will help you to choose the right solution for any application.

The numerous output designs of the geared motors mean that the drives can be adapted to almost any drive task:

- ▶ Geared servo motors with solid shaft, hollow shaft or hollow shaft with shrink disc
- ▶ Geared servo motors with or without flange, foot or centring
- ▶ Various built-in phase-angle sensors enable the drives to be adapted to the required accuracy: Resolver as standard solution with optimised performance due to internally improved resolver accuracy, SinCos absolute value encoder for maximum accuracy



Quiet

High inverter switching frequencies (up to 16 kHz) reduce noise generation.

The optimised geometry of the gear teeth on Lenze gearboxes reduces noise generation; internally ribbed cast housings provide additional sound insulation.

Reduced backlash

The two-stage basic concept (helical-bevel gearbox has three stages), low backlash connection elements and the high quality of the teeth due to precision manufacturing reduce backlash compared to that on comparable geared motors.

The use of zero backlash permanent electromagnetic holding brakes enables defined holding of a position even if the drive has been disconnected from the power supply.

Special models

Non-standard applications sometimes require non-standard designs.

The following are examples of possible configurations:

- ▶ Incremental encoder as feedback
- ▶ Second feedback.

Please contact us should you require more information.

Abbreviations used in this catalogue:

α		Angle of radial force	k		Application factor (according to DIN 3990)
φ		Ratio step	k_l		Intensity of gearbox load capacity
η	[%]	Mechanical efficiency	k_J		Load-matching factor
η_A	[%]	Mechanical start-up efficiency	k_{load}		Overload factor
		Gearboxes	k_{n1}		Speed reduction factor
$\eta_{c=1}$	[%]	Mechanical efficiency of gearbox with gearbox load c=1			Ambient temperature, installation height
η_G	[%]	Mechanical efficiency of gearbox	k_{n2}		Speed correction factor mounting position
ϑ	[°C]	Temperature	k_{n3}		Speed correction factor operating time/average speed
AC		Alternating current/voltage	k_m		Speed correction factor average speed
c		Load capacity of geared servo motors	l_{cable}	[m]	Length of system cable
cos φ_N		Power factor of asynchronous motors	m	[kg]	Mass
DC		Direct current/voltage	M_B	[Nm]	Brake holding torque
OT		Operating time	M_{eff}	[Nm]	Effective torque at output
			M_{load}	[Nm]	Load torque
f_{α}		Effective direction factor at output shaft	M_{load max}	[Nm]	Maximum load torque
f_{chopp}	[kHz]	Switching frequency	M_{load time}	[Nm]	Stationary load torque per time segment
f_r	[Hz]	Rated frequency	M_{max}	[Nm]	Maximum motor torque
f_w		Load application factor at output shaft	M_r	[Nm]	Rated torque
f_z		Additional radial force factor for transmission element	M_{Sz}	[Nm]	Acceleration torque
F_a	[N]	Acting axial force	M_{S eff}	[Nm]	Effective torque
F_{a Tab}	[N]	Table value for axial force	M_{time}	[Nm]	Torque per time segment
F_{a perm}	[N]	Permissible axial force	M_{P max}	[Nm]	Maximum torque of profile
F_r	[N]	Acting radial force	M₀	[Nm]	Continuous standstill torque
F_{r Tab}	[N]	Table value for radial force	M₂	[Nm]	Output torque
F_{r perm}	[N]	Permissible radial force	M_{2 max}	[Nm]	Maximum output torque
h	[m]	Site altitude	M_{2 Gr}	[Nm]	Rated gearbox torque c=1 on output
i		Ratio	n_{load}	[rpm]	Load speed
I_B	[A]	Rated brake current	n_{load time}	[rpm]	Load speed per time segment
I_{max}	[A]	Maximum current	$\Delta n_{load time}$	[rpm]	Load speed differential per time segment
I_r	[A]	Rated current	n_{max}	[rpm]	Maximum speed
I_{C r}	[A]	Continuous current for drive controller	n_r	[rpm]	Rated speed
I_{C max}	[A]	Maximum current for drive controller	n_{avg}	[rpm]	Average speed
I₀	[A]	Continuous standstill current	n₁	[rpm]	Drive speed
J_B	[kgm ²]	Moment of inertia of brake	n_{1 max}	[rpm]	Maximum drive speed
J_{GM}	[kgm ²]	Moment of inertia of geared motor reduced on motor shaft	n₂	[rpm]	Output speed
J_{load}	[kgm ²]	Moment of inertia of load on output shaft	n_{2 trans}	[rpm]	Output speed at motor rated speed
J_{motor}	[kgm ²]	Moment of inertia of motor	n_{2 therm}	[rpm]	Thermal limit speed at output

P_r	[kW]	Rated power	IM	International Mounting Code
P_v	[kW]	Inverter power loss	IP	International Protection Code
P₁	[kW]	Driving power	CE	Communauté Européene
Q_ε	[kJ]	Max. switching energy per switching operation	CSA	Canadian Standards Association
S_{hü}	[1/h]	Transference operating frequency	DIN	Deutsches Institut für Normung
S_N	[kW]	Output power of inverter	EMC	Electromagnetic compatibility
T	[s]	Load cycle time	EN	European standard
t_{run}	%	Runtime at maximum torque	IEC	International Electrotechnical Commission
T_{amb}	[°C]	Ambient operating temperature	NEMA	National Electrical Manufacturers Association
Δ t_{time}	[s]	Individual time segments	UL	Underwriters Laboratory
t₁	[ms]	Engagement time	UR	Underwriters Laboratory recognized component
t₂	[ms]	Disengagement time	VDE	Verband deutscher Elektrotechniker
U_B	[V]	Rated brake voltage		
U_r	[V]	Rated voltage		
U_M	[V]	Rated motor voltage		

General information about the data provided in this catalogue

Ratings, torques and speeds

The outputs, torques and speeds specified in the catalogue are rounded values and apply for

- ▶ daily running time of 8 h, 240 days a year
- ▶ ambient temperature up to 30°C
- ▶ operating time 70% of day
- ▶ average speed 80% of design speed
- ▶ site altitude up to 1000 m amsl
- ▶ Mounting positions and construction types listed in the catalogue (selection table relates to mounting position A)
- ▶ Standard lubricant

Under different operating conditions the values obtained may vary from those listed here.

In the case of extreme operating conditions, please consult your Lenze representative.

Load capacity c of gearbox

Characteristic value for the load capacity of Lenze gearboxes and Lenze geared motors.

- ▶ c is the ratio of the permissible rated torque of the gearbox to the rated torque delivered by the drive component (e.g. the integrated Lenze motor).
- ▶ c must always be greater than the application factor k determined for the application.

Application factor k (corresponding to DIN 3990)

Takes account of the effect of any loads that are actually present and are likely to vary over time during the anticipated runtime of geared motors.

k depends on

- ▶ the type of load
- ▶ the intensity of the load
- ▶ temporal factors

We aim to process your order quickly and accurately, so we need you to give us full ordering details. The following checklist and ordering procedure should help.

Checklist

In order to receive the correct products in good time, please provide the following information:

- ▶ Your address and ordering data
- ▶ Our product key for the individual products in this catalogue.
- ▶ Your delivery data, i.e. delivery date and delivery address

How to order

Please use this step-by-step guide and the fax form to ensure that you provide all the necessary information in the correct format. It makes ordering your tailor-made drive extremely easy:

- ▶ Copy the fax template.
See the following pages.
- ▶ Enter the order data.
- ▶ Post or fax the form to your Lenze sales office.
A list of Lenze sales offices can be found at the end of this catalogue.

A step-by-step guide to ordering your drive

- Cross-reference
- Result

1. Dimension the drive system

- Drive dimensioning, dimensioning (Chapter 2)

2. Specify the type designation and ratio

- Product key (fold-out page),
selection table (Chapters 3 to 7)
- Gearbox type, gearbox size, number of stages
Example: GST 07-2
- Drive design, motor frame size, motor cooling,
ratio
Example: A, 080C22. S, i = 20.044

3. Specify the output design

- Product key (fold-out page),
Drive dimensioning, gearbox designs (Chapter 2)
- Solid shaft with keyway, without foot, with centring
ring, with 200 mm round flange (V, C, K)

4. Specify the mounting position and the position of system elements

- Product key (fold-out page)
Example: Mounting position A
Plug-in position 2

5. Specify the colour

- Drive dimensioning, gearbox designs (Chapter 2)
Example: RAL 9005 paint (black)

6. Specify the gearbox options

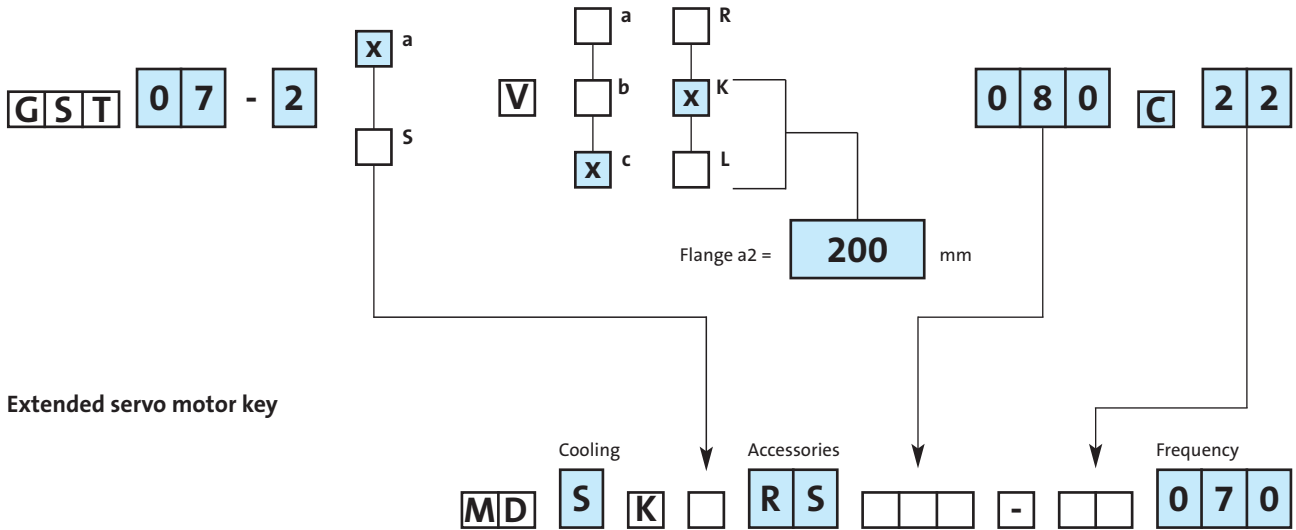
- Drive dimensioning, gearbox designs (Chapter 2)

7. Specify motor options

- Servo motors (Chapter 8)
Example: Resolver (RS)
Enclosure (IP54)
Connector

Order no.

i = **20.044**



Other ordering information

Mounting position

A B C D E F

Position of system elements

Connector/terminal box
 2 3 4 5

Colour

Paint RAL 9005 (black)
 Grey primer

Gearbox options

Motor options

Degree of protection

IP54 IP65 (naturally ventilated only)

Power connection

Connector Terminal box

Encoder connection

Connector Terminal box (only in conjunction with power connection on terminal box)



To the Lenze sales office

Page __ of __

Order

Quotation

1

Fax no. _____

From

Customer no.

Company

--	--	--	--	--	--	--	--	--	--

Street/PO Box

Order no.

Postcode City

Name

Department

Date Signature

Tel. no.

Delivery address (if different from above)

Street

Town/Postcode

Invoice address (if different from above)

Street/P.O. Box

Postcode City

Requested delivery date _____

Despatch information _____



Customer no.

--	--	--	--	--	--	--	--	--	--

Page ___

	Quantity
--	----------

Order no.

i =

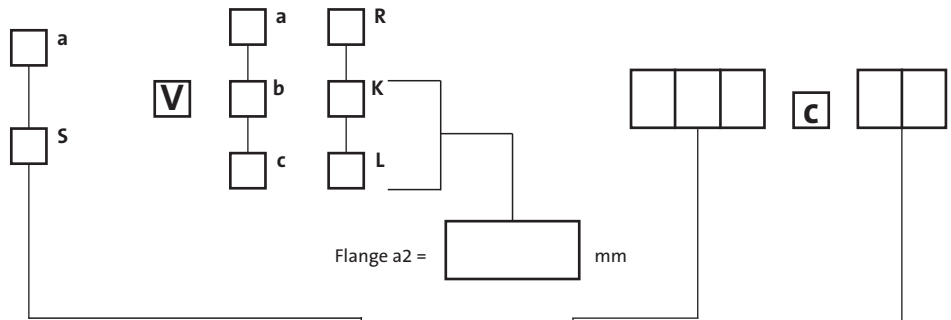
--

G S T

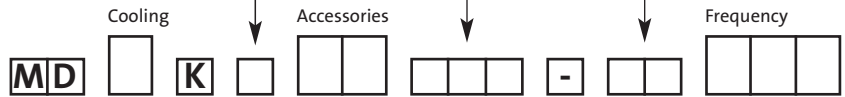
--	--

 -

--



Extended servo motor key



Other ordering information

Mounting position

<input type="checkbox"/> A	<input type="checkbox"/> B	<input type="checkbox"/> C	<input type="checkbox"/> D	<input type="checkbox"/> E	<input type="checkbox"/> F
----------------------------	----------------------------	----------------------------	----------------------------	----------------------------	----------------------------

Position of system elements

Connector/terminal box

<input type="checkbox"/> 2	<input type="checkbox"/> 3	<input type="checkbox"/> 4	<input type="checkbox"/> 5
----------------------------	----------------------------	----------------------------	----------------------------

Colour

<input type="checkbox"/>	Paint RAL 9005 (black)
<input type="checkbox"/>	Grey primer

Gearbox options

Special lubricant

<input type="checkbox"/>	CLP-HC 220
--------------------------	------------

Special paint finish

RAL

--

Output shaft bearing

<input type="checkbox"/>	Reinforced bearings
--------------------------	---------------------

Shaft sealing rings

<input type="checkbox"/>	Viton
--------------------------	-------

Oil control

<input type="checkbox"/>	Oil-sight glass
--------------------------	-----------------

Ventilation

<input type="checkbox"/>	Breather elements for size 05...07	<input type="checkbox"/>	reservoir C for size 09...14
--------------------------	------------------------------------	--------------------------	------------------------------

Servo motor options

Approval

<input type="checkbox"/>	UR approval (not with brake 205 V)
--------------------------	------------------------------------

Brake

<input type="checkbox"/>	24 V DC	<input type="checkbox"/>	205 V DC
--------------------------	---------	--------------------------	----------

SinCos encoder

<input type="checkbox"/>	multi-turn	<input type="checkbox"/>	single-turn
--------------------------	------------	--------------------------	-------------

Incremental encoders

<input type="checkbox"/>	ITD 21	<input type="checkbox"/>	ITD 22
--------------------------	--------	--------------------------	--------

Degree of protection

<input type="checkbox"/>	IP54	<input type="checkbox"/>	IP65 (naturally ventilated only)
--------------------------	------	--------------------------	----------------------------------

Power connection

<input type="checkbox"/>	Connector	<input type="checkbox"/>	Terminal box
--------------------------	-----------	--------------------------	--------------

Encoder connection

<input type="checkbox"/>	Connector	<input type="checkbox"/>	Terminal box (only in conjunction with power connection on terminal box)
--------------------------	-----------	--------------------------	--

See page 1-16 for ordering data for servo inverters

General

Shaft-mounted helical servo geared motors

Customer no.

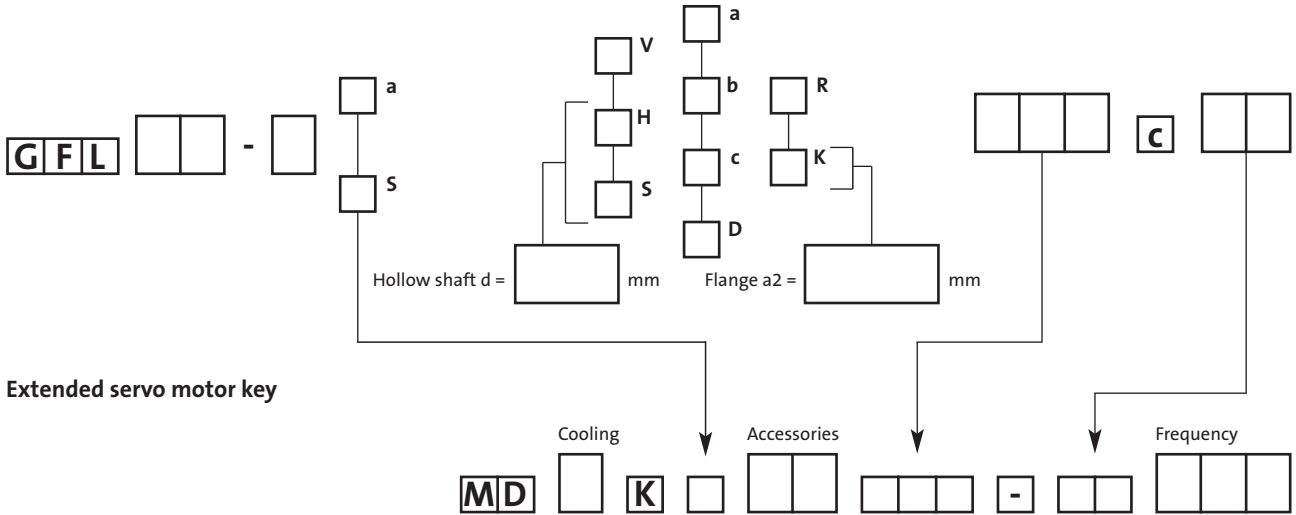
--	--	--	--	--	--	--	--	--	--

Page ___

Order no.

i =

--	--	--	--	--	--	--	--	--	--



Other ordering information

Mounting position

<input type="checkbox"/> A	<input type="checkbox"/> B	<input type="checkbox"/> C	<input type="checkbox"/> D	<input type="checkbox"/> E	<input type="checkbox"/> F
----------------------------	----------------------------	----------------------------	----------------------------	----------------------------	----------------------------

Position of system elements
(mark unspecified positions with 0)

Shaft	Foot	Connector/Terminal box
<input type="checkbox"/> 0	<input type="checkbox"/> 0	<input type="checkbox"/> 2
<input type="checkbox"/> 6	<input type="checkbox"/> 3	<input type="checkbox"/> 3
<input type="checkbox"/> 1	<input type="checkbox"/> 4	<input type="checkbox"/> 4
		<input type="checkbox"/> 5

Colour

<input type="checkbox"/> Paint RAL 9005 (black)	<input type="checkbox"/> Grey primer
---	--------------------------------------

Gearbox options

Special lubricant

CLP-HC 220

Special paint finish

RAL

Shaft sealing rings

Viton

Accessories

Rubber buffer set for torque plate

Oil control

Oil-sight glass

Ventilation

Breather elements for size 05...07

Hollow shaft circlip mounting set

reservoir mounting position C for size 09...14

Servo motor options

Approval

UR approval (not with brake 205 V)

Brake

24 V DC

205 V DC

SinCos encoder

multi-turn

single-turn

Incremental encoders

ITD 21

ITD 22

Degree of protection

IP54

IP65 (naturally ventilated only)

Power connection

Connector

Terminal box

Encoder connection

Connector

Terminal box (only in conjunction with power connection on terminal box)

See page 1-16 for ordering data for servo inverters



Customer no.

--	--	--	--	--	--	--	--	--	--

Page ___

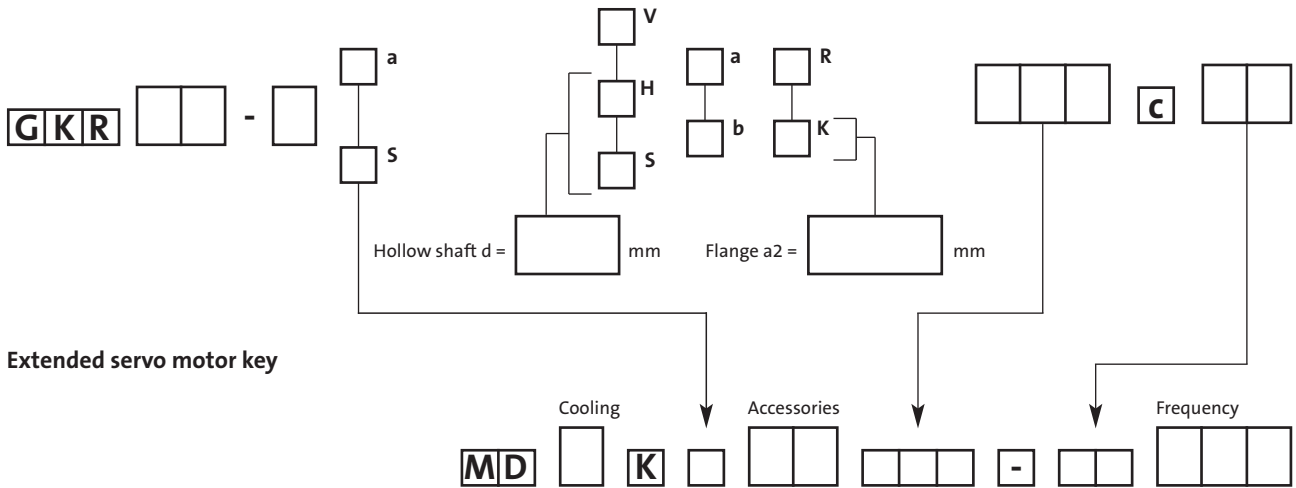
Quantity

--	--	--	--	--	--	--	--

Order no.

i =

--	--	--	--	--	--	--	--



Other ordering information

Mounting position

A	B	C	D	E	F
<input type="checkbox"/>	<input type="checkbox"/>	<input type="checkbox"/>	<input type="checkbox"/>	<input type="checkbox"/>	<input type="checkbox"/>

Position of system elements
(mark unspecified positions with 0)

Shaft	Flange	Connector/Terminal box
0 3 5 8	0 3 5 8	2 3 4 5
<input type="checkbox"/>	<input type="checkbox"/>	<input type="checkbox"/>
<input type="checkbox"/>	<input type="checkbox"/>	<input type="checkbox"/>
<input type="checkbox"/>	<input type="checkbox"/>	<input type="checkbox"/>
<input type="checkbox"/>	<input type="checkbox"/>	<input type="checkbox"/>

Colour

<input type="checkbox"/>	Paint RAL 9005 (black)	<input type="checkbox"/>	Grey primer
--------------------------	------------------------	--------------------------	-------------

Gearbox options

Special lubricant

CLP-HC 220

Special paint finish

RAL

--

Shaft sealing rings

Viton

Accessories

<input type="checkbox"/>	Rubber buffer set for torque plate (GKR 04 only)	<input type="checkbox"/>	Torque plate pitch circle
<input type="checkbox"/>	Torque plate housing foot (GKR 05/06 only)	<input type="checkbox"/>	Mounting set for hollow shaft circlip
<input type="checkbox"/>	2nd output shaft end	<input type="checkbox"/>	Hoseproof hollow shaft cover
<input type="checkbox"/>	Shrink disc cover		

Servo motor options

Approval

UR approval (not with brake 205 V)

Brake

<input type="checkbox"/>	24 V DC	<input type="checkbox"/>	205 V DC
--------------------------	---------	--------------------------	----------

SinCos encoder

<input type="checkbox"/>	multi-turn	<input type="checkbox"/>	single-turn
--------------------------	------------	--------------------------	-------------

Incremental encoders

<input type="checkbox"/>	ITD 21	<input type="checkbox"/>	ITD 22
--------------------------	--------	--------------------------	--------

Degree of protection

<input type="checkbox"/>	IP54	<input type="checkbox"/>	IP65 (naturally ventilated only)
--------------------------	------	--------------------------	----------------------------------

Power connection

<input type="checkbox"/>	Connector	<input type="checkbox"/>	Terminal box
--------------------------	-----------	--------------------------	--------------

Encoder connection

<input type="checkbox"/>	Connector	<input type="checkbox"/>	Terminal box (only in conjunction with power connection on terminal box)
--------------------------	-----------	--------------------------	--

See page 1-16 for ordering data for servo inverters

General

Helical-bevel geared servo motors

Customer no.

--	--	--	--	--	--	--	--	--	--

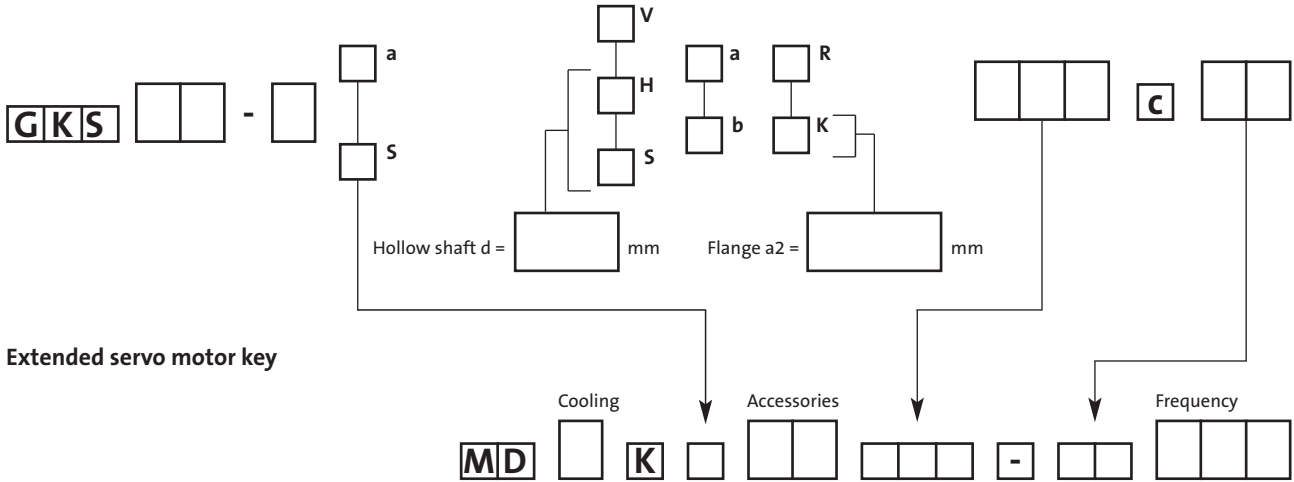
Page ___

	Quantity
--	----------

Order no.

i =

--



Other ordering information

Mounting position

A	B	C	D	E	F
<input type="checkbox"/>	<input type="checkbox"/>	<input type="checkbox"/>	<input type="checkbox"/>	<input type="checkbox"/>	<input type="checkbox"/>

Position of system elements
(mark unspecified positions with 0)

Shaft	Flange	Connector/Terminal box
0 3 5 8	0 3 5 8	2 3 4 5
<input type="checkbox"/>	<input type="checkbox"/>	<input type="checkbox"/>
<input type="checkbox"/>	<input type="checkbox"/>	<input type="checkbox"/>
<input type="checkbox"/>	<input type="checkbox"/>	<input type="checkbox"/>
<input type="checkbox"/>	<input type="checkbox"/>	<input type="checkbox"/>

Colour

<input type="checkbox"/>	Paint RAL 9005 (black)	<input type="checkbox"/>	Grey primer
--------------------------	------------------------	--------------------------	-------------

Gearbox options

Special lubricant

<input type="checkbox"/>	CLP-HC 220
--------------------------	------------

Special paint finish

RAL	<input type="text"/>
-----	----------------------

Shaft sealing rings

<input type="checkbox"/>	Viton
--------------------------	-------

Accessories

<input type="checkbox"/>	Torque plate on housing foot	<input type="checkbox"/>	Torque plate pitch circle
<input type="checkbox"/>	2nd output shaft end	<input type="checkbox"/>	Mounting set for hollow shaft circlip
<input type="checkbox"/>	Shrink disc cover	<input type="checkbox"/>	Hoseproof hollow shaft cover

Oil control

<input type="checkbox"/>	Oil-sight glass
--------------------------	-----------------

Ventilation

<input type="checkbox"/>	Breather elements for size 05...07	<input type="checkbox"/>	reservoir mounting position C for size 09...14
--------------------------	------------------------------------	--------------------------	--

Servo motor options

Approval

<input type="checkbox"/>	UR approval (not with brake 205 V)
--------------------------	------------------------------------

Brake

<input type="checkbox"/>	24 V DC	<input type="checkbox"/>	205 V DC
--------------------------	---------	--------------------------	----------

SinCos encoder

<input type="checkbox"/>	multi-turn	<input type="checkbox"/>	single-turn
--------------------------	------------	--------------------------	-------------

Incremental encoders

<input type="checkbox"/>	ITD 21	<input type="checkbox"/>	ITD 22
--------------------------	--------	--------------------------	--------

Degree of protection

<input type="checkbox"/>	IP54	<input type="checkbox"/>	IP65 (naturally ventilated only)
--------------------------	------	--------------------------	----------------------------------

Power connection

<input type="checkbox"/>	Connector	<input type="checkbox"/>	Terminal box
--------------------------	-----------	--------------------------	--------------

Encoder connection

<input type="checkbox"/>	Connector	<input type="checkbox"/>	Terminal box (only in conjunction with power connection on terminal box)
--------------------------	-----------	--------------------------	--

See page 1-16 for ordering data for servo inverters



Customer no.

--	--	--	--	--	--	--	--	--	--

Quantity

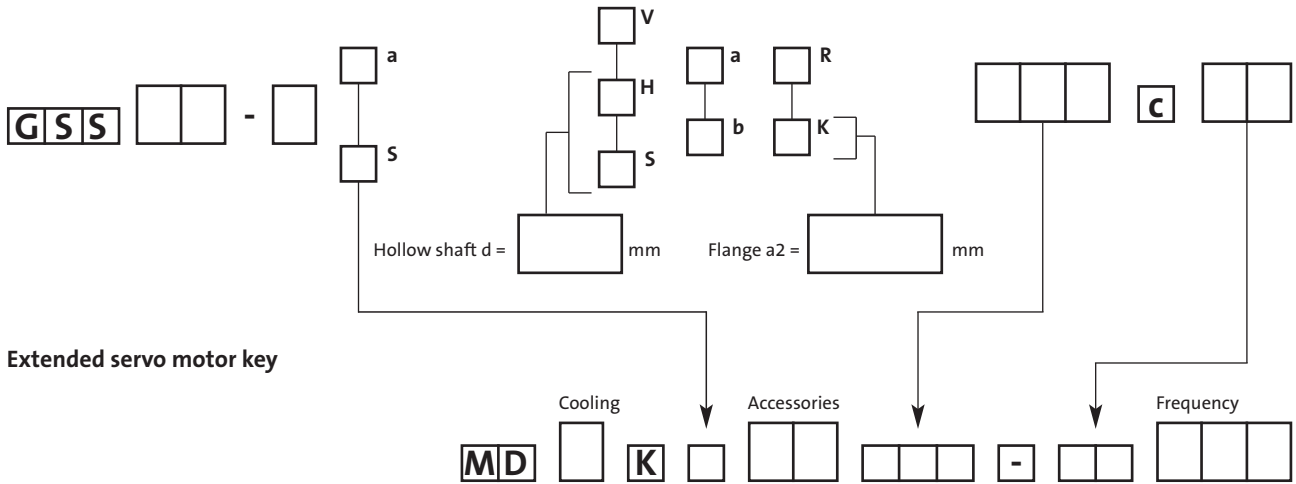
--	--	--	--	--	--	--	--

Page ___

Order no.

i =

--	--	--	--	--	--	--	--



Other ordering information

Mounting position

<input type="checkbox"/> A	<input type="checkbox"/> B	<input type="checkbox"/> C	<input type="checkbox"/> D	<input type="checkbox"/> E	<input type="checkbox"/> F
----------------------------	----------------------------	----------------------------	----------------------------	----------------------------	----------------------------

Position of system elements
(mark unspecified positions with 0)

Shaft				Flange				Connector/Terminal box			
<input type="checkbox"/> 0	<input type="checkbox"/> 3	<input type="checkbox"/> 5	<input type="checkbox"/> 8	<input type="checkbox"/> 0	<input type="checkbox"/> 3	<input type="checkbox"/> 5	<input type="checkbox"/> 8	<input type="checkbox"/> 2	<input type="checkbox"/> 3	<input type="checkbox"/> 4	<input type="checkbox"/> 5

Colour

<input type="checkbox"/> Paint RAL 9005 (black)	<input type="checkbox"/> Grey primer
---	--------------------------------------

Gearbox options

Special lubricant

CLP-HC 220

Special paint finish

RAL

--

Shaft sealing rings

Viton

Accessories

<input type="checkbox"/> Torque plate on housing foot	<input type="checkbox"/> Torque plate pitch circle
<input type="checkbox"/> 2nd output shaft end	<input type="checkbox"/> Mounting set for hollow shaft circlip
<input type="checkbox"/> Shrink disc cover	<input type="checkbox"/> Hoseproof hollow shaft cover

Oil control

Oil-sight glass

Ventilation

Breather elements for size 05 ...07

Servo motor options

Approval

UR approval (not with brake 205 V)

Brake

<input type="checkbox"/> 24 V DC	<input type="checkbox"/> 205 V DC
----------------------------------	-----------------------------------

SinCos encoder

<input type="checkbox"/> multi-turn	<input type="checkbox"/> single-turn
-------------------------------------	--------------------------------------

Incremental encoders

<input type="checkbox"/> ITD 21	<input type="checkbox"/> ITD 22
---------------------------------	---------------------------------

Degree of protection

<input type="checkbox"/> IP54	<input type="checkbox"/> IP65 (naturally ventilated only)
-------------------------------	---

Power connection

<input type="checkbox"/> Connector	<input type="checkbox"/> Terminal box
------------------------------------	---------------------------------------

Encoder connection

<input type="checkbox"/> Connector	<input type="checkbox"/> Terminal box (only in conjunction with power connection on terminal box)
------------------------------------	---

See page 1-16 for ordering data for servo inverters

Customer no.

--	--	--	--	--	--	--	--

Order no. _____

Servo inverter 93□□ with accessories

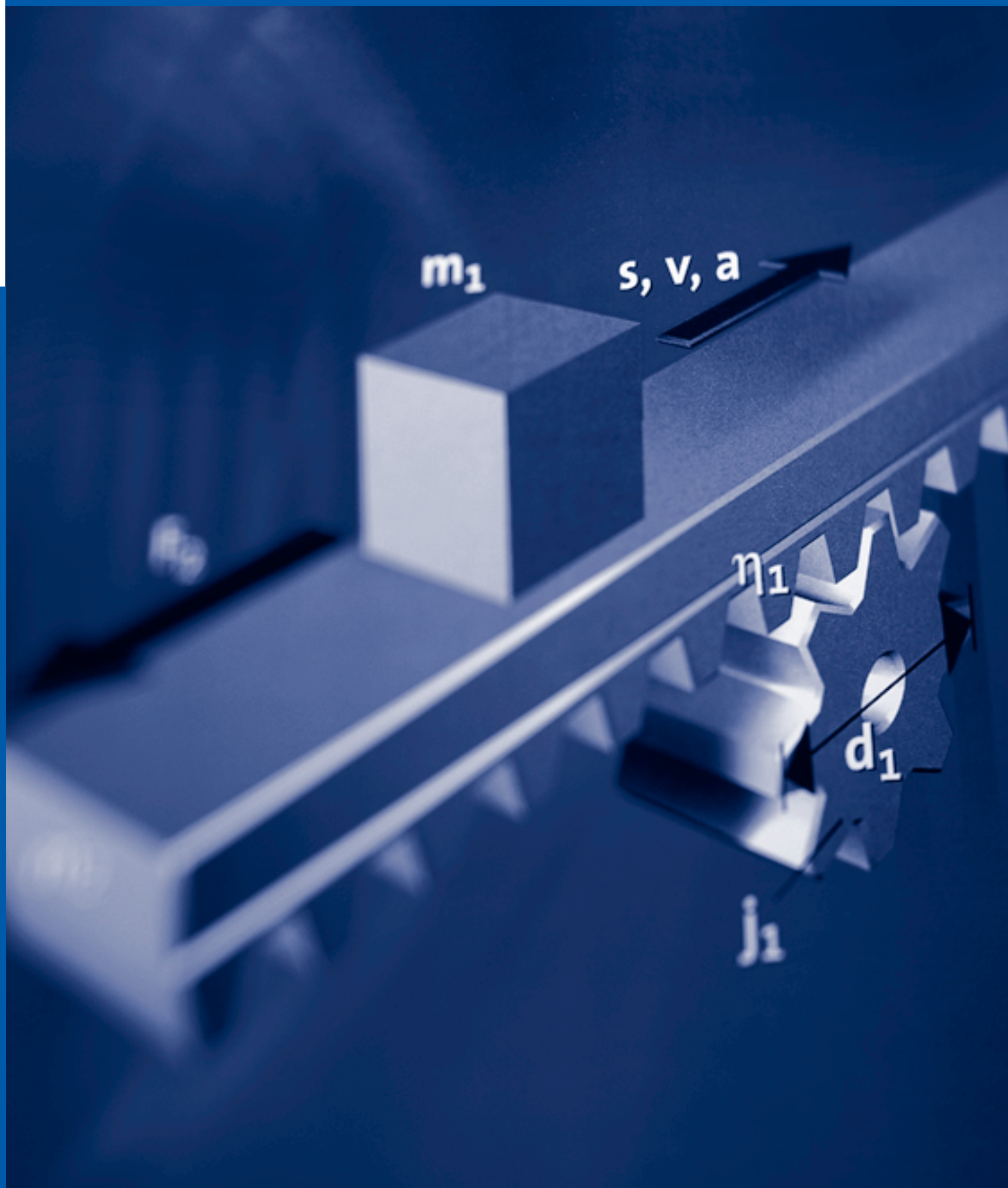
Designation	Type	Quantity	Type	Quantity
Servo inverter	EVS93__-E		EVS93__-E	
Circuit breaker				
Fuse				
Fuse holder				
Mains filter A				
Mains filter B				
Thermal separation				
DC fuses				
Fuse holder				
Brake chopper				
Brake resistor				

Designation	Type	Quantity
Setpoint potentiometer	ERPD0010k0001W	
Rotary knob for potentiometer	ERZ0001	
Scale for potentiometer	ERZ0002	
Operating module 9371BB	EMZ9371BB	
Digital display	EPD203	
Brake module	EMB9351-E	
LECOM A/B module	EMF2102IB-V001	
LECOM B module	EMF2102IB-V002	
Level converter for LECOM B	EMF2101IB	
PC system cable LECOM A/B	EWL0001	
LECOM LI module	EMF2102IB-V003	
Optical fibre adapter for PLC 0...40 m	EMF2125IB	
Power supply unit for 2125	EJ0013	
INTERBUS-S module	EMF2111IB	
PROFIBUS module	EMF2131IB	

Regenerative power supply module 934XE

Designation	Type	Quantity	Type	Quantity
RPS module	EMB934__-E		EMB934__-E	
Fuse				
Fuse holder				
Mains filter A				
Thermal separation				





Our service	2-2
Why dimensioning?	2-4
Scope	2-5
Selecting a servo motor	2-6
Operating modes	2-6
Graph of a drive axis	2-7
Operating mode S1	2-8
Operating modes S2, S3 and S6	2-12
Speed profiles	2-16
Maximum gearbox input speeds/ recommended motors for S1 and S6	2-23
Speed correction factors	2-24
Additional radial force factors / Application factors	2-25
GST, GFL, GKS, GKR efficiency	2-26
GSS efficiency	2-27

Gearbox versions

General data	2-35
Basic versions	2-36
Options	2-37
Gearboxes with ventilation	2-38
Lubricants	2-39

Servo motor designs

General data	2-40
Built-on accessories	2-41

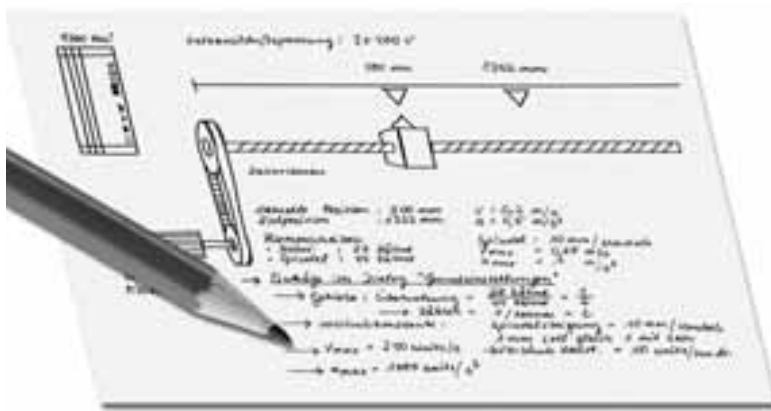
Servo inverter designs

General data	2-42
Applications	2-44
Features	2-45

Project planning manual

Lenze wants to assist you in optimising your project planning processes. Drive selection and dimensioning is the foundation of all plant planning. This project planning manual for Lenze geared servo motors will guide you from the initial torque and speed input variables right through to a functional and efficient drive train. Your local Lenze subsidiary will assist you in drive dimensioning, please consult with us.

2



Does this tedious process look familiar?

Using the Drive Solution Designer, Lenze sales staff can help you to complete your entire project planning process, quickly, efficiently and accurately, without the need for preliminary sketches.





The original application data and the results from the Drive Solution Designer are summarised in a document in a structured manner. Lenze sales staff can check the drive dimensions using an integrated diagnostic tool and ensure that the drive meets all your requirements.

The graphical analysis provides clear, comprehensive information about the drive load and configuration. The hardware required by the solution is documented; this simplifies the ordering process and means that the complete solution can be supplied quickly.



Thermal dimensioning

For the **inverter**, thermal dimensioning uses the continuous inverter current or the maximum continuous torque of the motor/inverter combination.

For the **motor**, thermal dimensioning uses the average speed and effective torque.

For the **gearbox**, thermal dimensioning uses the average speed and the continuous torque of the motor/gearbox combination. The specified thermal limit speed is intended as a recommendation. The average speed of the drive must not exceed the specified value.

Dimensioning in 3 steps

The dimensioning of geared servo motors can be divided into 3 steps, which are listed separately for each of the operating modes referred to above (S1, S2, S3, S6, profile):

Determination of input variables, including:

- ▶ Load torque, load speed, acceleration (for speed profiles several operating points with times)
- ▶ Maximum torque
- ▶ Mounting position
- ▶ Power load
- ▶ Method of torque transmission

Calculation of process requirement values, including:

- ▶ Overall torques from load torque and acceleration
- ▶ Maximum load torque
- ▶ Effective torque
- ▶ Average speed
- ▶ Maximum speed

Selection of geared servo motor and checking selection for fulfilment of requirement values, including:

- ▶ Calculation of overall torque on motor side (effective torque, maximum torque)
- ▶ Thermal checking of motor by reference to effective torque and average speed
- ▶ Thermal checking of gearbox by reference to average speed and effective torque
- ▶ Checking of maximum gearbox torque by reference to periodic torques and sporadic maximum torques
- ▶ Checking of motor/inverter combination by reference to maximum torques
- ▶ Checking of load adjustment
- ▶ Checking of axial and radial force on gearbox

To obtain a **reliable selection** particular attention must be given to choosing and **checking the drive**. The various elements involved in dimensioning and checking are described in more detail below. Special emphasis is placed on **compliance with the limits of the geared servo motor drive** (functional limits, thermal limits, mechanical limits).



Dimensioning of geared servo motors for kinematic profiles, operating modes S1, S2, S3, S6 and speed profiles

Suitable for simple linear speed profiles, not for S-curves or similar. For complex or full-load dimensioning, please contact your local Lenze dealer.

Standard operating conditions:

- ▶ Single-shift operation, 8 hours a day, 240 days a year
- ▶ Ambient temperature up to 30°C
- ▶ Operating time 5.5 hours in a day
- ▶ Average speed utilisation related to load speed of the geared motor 80%
- ▶ Mounting position A
- ▶ Site altitude up to 1000 m amsl

Included

- ▶ Rated mains voltage AC 400 V, 3-phase
- ▶ Ambient temperature
- ▶ Site altitude
- ▶ Dimensioning with 9300 and ECS speed/torque characteristic curves for mains voltages of 400 V, 3-phase
- ▶ Process requirement
- ▶ Preselection of motor
- ▶ Load capacity of gearbox
- ▶ Intended transmission ratio
- ▶ Max. permissible gearbox input speed
- ▶ Axial and radial load on gearbox output shaft
- ▶ Total reduced moment of inertia
- ▶ Load adjustment to moments of inertia

Not included

- ▶ Correct consideration of efficiency in motor mode/generator mode
- ▶ Accessories such as brake choppers, brake resistors, feedback systems, mains filters
- ▶ Current derating on 9300 servo at low speeds
- ▶ Specific ambient conditions such as special power system characteristics, high temperatures/altitudes, contamination, outdoor use, explosion protection
- ▶ Maximum standstill current
- ▶ Setting the controller inhibit to reduce the heat load on the drive

Selecting a servo motor

Once the technical data has been obtained, a selection must be made between synchronous or asynchronous motors and between naturally ventilated or forced ventilated motors.

- ▶ **Process does not permit** air flow → Motor without fan MDSK□
- ▶ **Fluff** or similar, which might block the air ducts → Motor without fan MDSK□
- ▶ **High degree of protection** required → Motor without fan MDSK□
- ▶ **High dynamics** required → Motor with fan MDFK
→ Synchronous servo motor MD□KS
- ▶ Operation at **constant power** and high speeds (field weakening operation) → Asynchronous servo motor MD□KA
- ▶ **Very high power density** → Synchronous servo motor MD□KS
- ▶ **Servo motors running** in parallel mode on one inverter → Asynchronous servo motors MD□KA

Operating modes

The operating mode is important when selecting a motor. For example, the temperature rise on a motor subject to short-term load will be lower than that on a motor subject to long-term load. Operating modes S1 to S8 have been defined in accordance with EN 60034.

Continuous operation S1

The operating time at rated power is long enough for the machine to reach steady-state temperature. The motor operates continuously at rated power.

Short-term operation S2

In comparison with the subsequent pause, the operating time is too short for the machine to reach steady-state temperature. During the subsequent lengthy pause, the motor cools down to the initial temperature.

Intermittent operation S3, S4, S5

Cycles of the same type combine to form a sequence. The cycle time is usually 10 minutes.

- ▶ S3: The start-up current is not significant for the temperature rise of the motor.
- ▶ S4: The start-up current contributes to the temperature rise of the motor.
- ▶ S5: The start-up current and braking current contribute to the temperature rise of the motor.

Continuous operation with intermittent loading S6

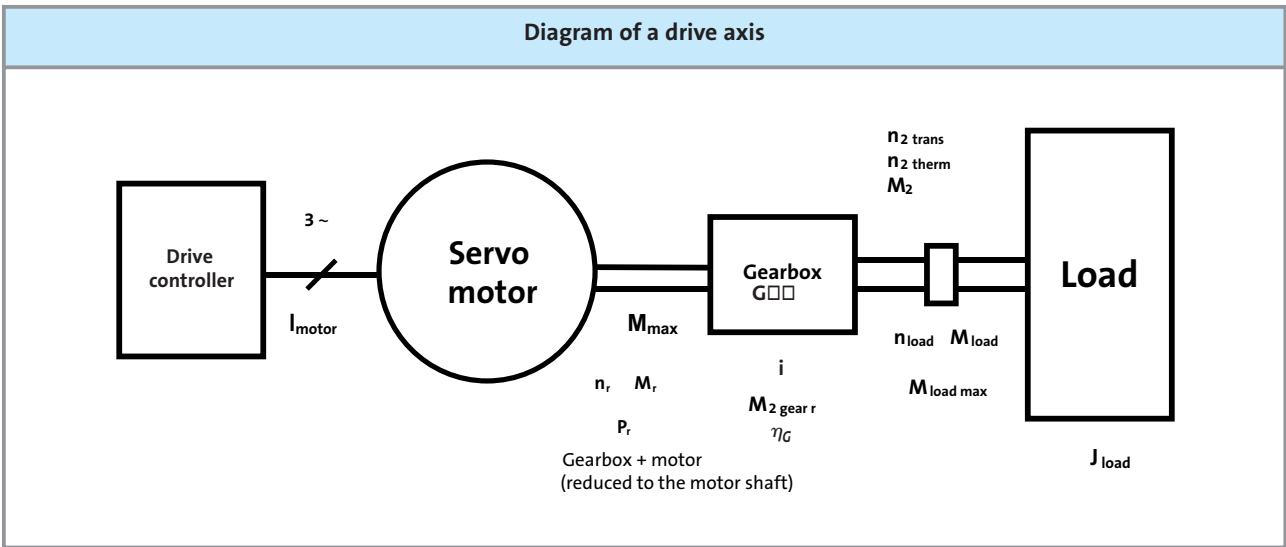
The motor continues to be ventilated during the no-load phases, enabling it to cool down.

Uninterrupted operation with acceleration and braking S7

The motor runs almost without pauses.

Uninterrupted operation S8 with pole-changing

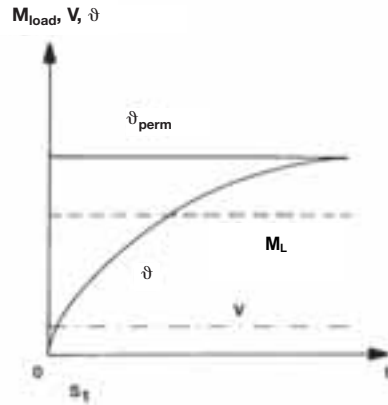
The machine runs constantly under load but with frequent speed variation.



Dimensioning of geared servo motors for operating mode S1 (EN 60034)

The drive is constantly loaded in operating mode S1, if necessary the direction of rotation is changed or an alternating load is used.

Prerequisite: constant power loss, neglect of start-up process (constant temperature rise)



Required input variables

Operating time/day	_____	[h]
Average speed utilisation of geared motor	_____	[%]
Ambient temperature	$T_{amb} =$ _____	[°C]
Site altitude above mean sea level	$h =$ _____	[m]
Radial force	$F_r =$ _____	[N]
Axial force	$F_a =$ _____	[N]
Transmission element at gearbox	gear wheels, sprockets ...	_____
Pitch circle diameter of transmission element	$d_w =$ _____	[mm]
Load torque	$M_{load} =$ _____	[Nm]
Load speed	$n_{load} =$ _____	[rpm]
Short-time maximum torque	emergency-off, quick stop, occasional high starting duty	$M_{L, max} =$ _____ [Nm]
Runtime at maximum torque		$t_{run} =$ _____ [%]



Determine gearbox design and servo motor design

Gearbox type	GST, GFL, GKR, GKS, GSS, GPA	= _____
Mounting position	A, B, C, D, E, F	= _____
Output designs	Shaft design: hollow shaft, solid shaft, etc.	= _____
	Flange	= _____
Drive design	A (asynchronous)/S (synchronous)	= _____
Cooling type	Naturally ventilated/forced ventilated	= _____

- ▶ **Product key** → Fold-out page at front
- ▶ Drive dimensioning chapter → Gearbox designs/Servo motor designs

Determine the gearbox size from the forces		
Determination of the axial and radial forces acting on the gearbox shaft		
	Calculation	Check
Transmission element	$f_z = \underline{\hspace{2cm}}$	
Radial force (from input variable or transmission element)	$F_r = 2000 \cdot \frac{M_{max} \cdot f_z}{d_w}$	$F_r \leq F_{r, perm} = \min(f_w \cdot f_\alpha \cdot F_{r, Tab}; f_w \cdot F_{r, max})$
Axial force		$F_a \leq F_{a, perm} = F_{a, Tab} \text{ at } F_r = 0$
<p>► $f_z \rightarrow$ Page 2-25. $f_w, f_\alpha, F_{r, Tab}, F_{a, Tab}$ → Technical data (depending on gearbox type) → permissible radial and axial forces</p>		
Determine speed correction factors		
Ambient temperature, site altitude	$k_{n1} = \underline{\hspace{2cm}}$	
Mounting position	$k_{n2} = \underline{\hspace{2cm}}$	
Average speed utilisation of the geared motor (in % of n_{load}) and daily operating time	$k_{n3} = \underline{\hspace{2cm}}$	
► $k_{n1}, k_{n2}, k_{n3} \rightarrow$ Page 2-24		
$k_n = k_{n1} \cdot k_{n2} \cdot k_{n3} = \underline{\hspace{2cm}}$		



Selecting and checking the geared servo motor/inverter combination		
For maximum life expectancy, Lenze recommends the use of motors with a low rated speed for operating mode S1. → Page 2-23		
	Check	Selection
Output torque	$M_2 \geq M_L$	$M_2 =$ _____ [Nm]
Output speed	$n_{2therm} \geq \frac{n_{load}}{k_n}$ (recommended)	$n_{2therm} =$ _____ [rpm]
	$n_{2trans} \geq n_{load}$	$n_{2trans} =$ _____ [rpm]
Without alternating load	$M_{2Gr} \geq M_{load}$	$M_{2Gr} =$ _____ [Nm]
With alternating load	$M_{2Gr} \geq M_{load} \cdot 1.4$	
Ratio		$i =$ _____
Load capacity of the geared motor		$c =$ _____
Short-time maximum torque	$M_{2.max} \geq M_{L,max}$	$M_{2.max} =$ _____ [Nm]
Servo inverters	The selection tables already contain appropriate controllers for the S1 operation, if necessary choose a larger controller for $M_{load,max}$.	Type = E _____ [kHz]
<p>► $M_2, n_{2therm}, n_{2trans}, M_{2Gr}, M_{2.max}, i, c,$ servo inverter → Selection tables (depending on gearbox type)</p>		
Determination of the required load capacity		
Intensity	$k_I = \frac{M_{load,max}}{M_2}$	$k_I =$ _____
With runtime $t_{run} > 10\%$, take intensity k_I from the calculation into account. With runtime $t_{run} \leq 10\%$, take application factor k from the diagram into account.		
		$k =$ _____
► k → page 2-25		
	Check	Selection
Load capacity	$t_{run} > 10\% \rightarrow c \geq k_I$ $t_{run} \leq 10\% \rightarrow c \geq k$	$c =$ _____
Determine the geared servo motor/inverter combination		
► General information → Fax orders		
Dimensioning of other accessory components, such as brake choppers for operation in generator mode, mains filters, etc.		
► Servo inverter catalogue		

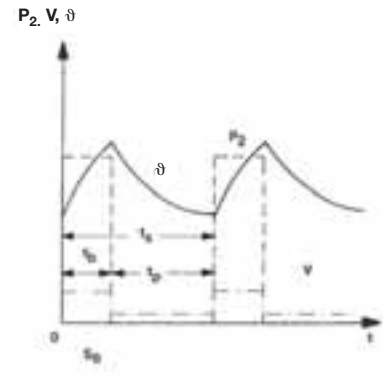
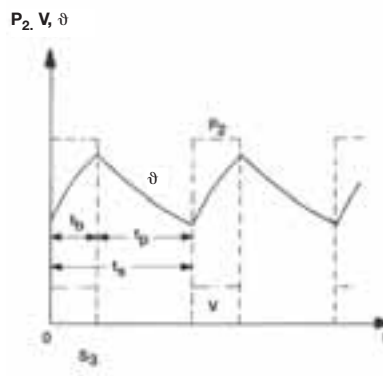
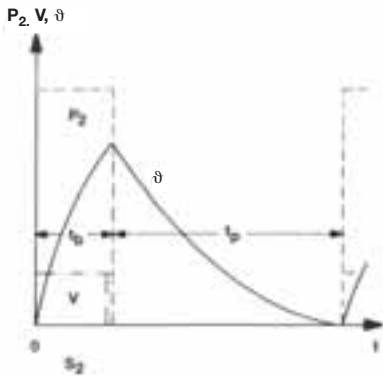
Dimensioning of geared servo motors for operation modes S2, S3 and S6 (EN 60034)

Short-time operation S2: Short-time running of the drive followed by a "long" pause

Periodic intermittent operation S3: Periodic alternation of the drive between on and off (maximum cycle time 10 min)

Periodic intermittent loading S6: The load alternates between on and off with the motor running constantly (maximum cycle time 10 min).

The acceleration process is not taken into account. For dynamic use dimensioning for profile is required.



Required input variables

Operating time/day		_____ [h]
Average speed utilisation of geared motor		_____ [%]
Operation mode	S2	OT = _____ [min]
	S3, S6	OT = _____ [%]
Ambient temperature		T_{amb} = _____ [°C]
Site altitude above mean sea level		h = _____ [m]
Radial force		F_r = _____ [N]
Axial force		F_a = _____ [N]
Transmission element at gearbox	gear wheels, sprockets ...	_____
Pitch circle diameter of transmission element		d_w = _____ [mm]
Load torque		M_{load} = _____ [Nm]
Load speed		n_{load} = _____ [rpm]
Short-time maximum torque	emergency-off, quick stop, occasional high starting duty	$M_{L, max}$ = _____ [Nm]
Runtime at maximum torque		t_{run} = _____ [%]



Determine gearbox design and servo motor design		
Gearbox type	GST, GFL, GKR, GKS, GSS, GPA	= _____
Mounting position	A, B, C, D, E, F	= _____
Output designs	Shaft design: hollow shaft, solid shaft, etc.	= _____
	Flange	= _____
Drive design	A (asynchronous)/S (synchronous)	= _____
Cooling type	Naturally ventilated/forced ventilated	= _____

- ▶ Product key → Fold-out page at front
- ▶ Drive dimensioning chapter → Gearbox designs/Servo motor designs

Determine the gearbox size from the forces

Determination of the axial and radial forces acting on the gearbox shaft

	Calculation	Check
Transmission element	$f_z = \text{_____}$	
Radial force (from input variable or transmission element)	$F_r = 2000 \cdot \frac{M_{max} \cdot f_z}{d_w}$	$F_r \leq F_{r, perm} = \min(f_w \cdot f_\alpha \cdot F_{r, Tab}; f_w \cdot F_{r, max})$
Axial force		$F_a \leq F_{a, perm} = F_{a, Tab} \text{ at } F_r = 0$

- ▶ f_z → Page 2-25. $f_w, f_\alpha, F_{r, Tab}, F_{a, Tab}$ → Technical data (depending on gearbox type)
- permissible radial and axial forces

Determine speed correction factors

Ambient temperature, site altitude	$k_{n1} = \text{_____}$
Mounting position	$k_{n2} = \text{_____}$
Average speed utilisation of the geared motor (in % of n_{load}) and daily operating time	$k_{n3} = \text{_____}$

- ▶ k_{n1}, k_{n2}, k_{n3} → Page 2-24

Speed correction factors of average speed k_m

Operating mode S2		Operating mode S3		Operating mode S6	
OT [min]	k_m	OT [%]	k_m	OT [%]	k_m
10	0.16	15	0.15	15	1.00
30	0.50	25	0.25	25	
60	1.00	40	0.40	40	
90	1.00	60	0.60	60	

$$k_m = \text{_____}$$

$$k_n = \frac{k_{n1} \cdot k_{n2} \cdot k_{n3}}{k_m} = \text{_____}$$

Drive dimensioning

Operating modes S2, S3 and S6

Specify the overload factor k_L (guide values) according to the application/kinematics

Operating mode S2		Operating mode S3		Operating mode S6	
ED [min]	k_L	ED [%]	k_L	ED [%]	k_L
10	1.4-1.5	15	1.4-1.5	15	1.5-1.6
30	1.15-1.2	25	1.3-1.4	25	1.4-1.5
60	1.07-1.1	40	1.15-1.2	40	1.3-1.4
90	1.0-1.05	60	1.05-1.1	60	1.15-1.2

$k_L =$ _____

Selecting and checking the geared servo motor/inverter combination

For maximum life expectancy, Lenze recommends the use of motors with a low rated speed for operating mode S1. → Page 2-23

	Check	Selection
Output torque	$M_2 \geq \frac{M_L}{k_L}$	$M_2 =$ _____ [Nm]
Output speed	$n_{2therm} \geq \frac{n_{load}}{k_n}$ (recommended)	$n_{2therm} =$ _____ [rpm]
	$n_{2trans} \geq n_{load}$	$n_{2trans} =$ _____ [rpm]
Without alternating load	$M_{2Gr} \geq M_{load}$	$M_{2Gr} =$ _____ [Nm]
With alternating load	$M_{2Gr} \geq M_{load} \cdot 1.4$	
Ratio		$i =$ _____
Load capacity of the geared motor		$c =$ _____
Gearbox efficiency	$\eta_G = \eta_{c=1} - (c - 1) \cdot 0.01$	$\eta_G =$ _____
Thermal effective operating point below S1 torque characteristic of the servo motor		
	$\left(\frac{i \cdot k_m \cdot n_{load}}{k_{n3}}, \frac{M_{load}}{k_L \cdot i \cdot \eta_G} \right)$	_____, _____
All operating points below the maximum torque characteristic of the servo motor/inverter combination, take $M_{load, max}$ into account		
	$\left(i \cdot n_{load}, \frac{M_{load}}{i \cdot \eta_G} \right)$	_____, _____
Servo inverter		Type = E _____ [kHz]

- ▶ $\eta_{c=1}$ → Page 2-26
- ▶ $M_2, n_{2therm}, n_{2trans}, M_{2Gr}, M_{2, max}, c, i,$ servo inverter
→ Selection tables (depending on gearbox type)
- ▶ Torque characteristic → Integrated servo motors

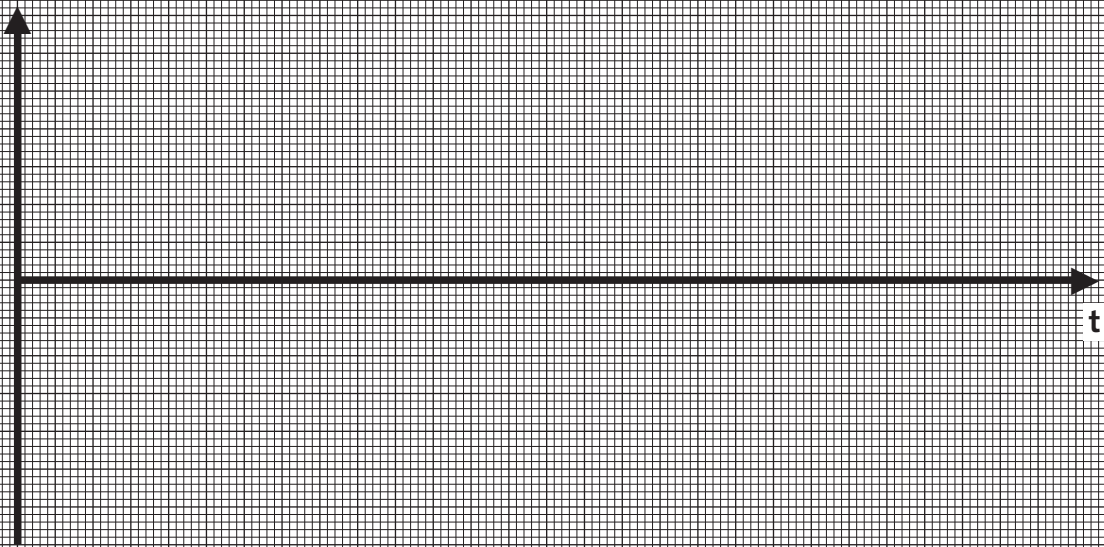
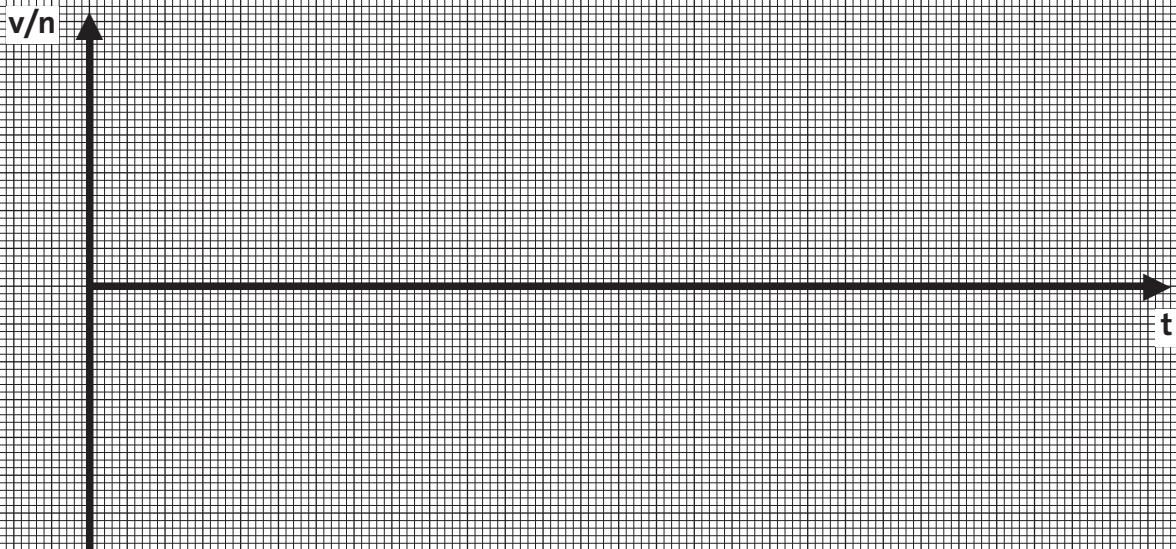
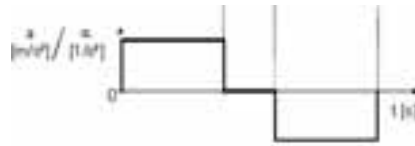
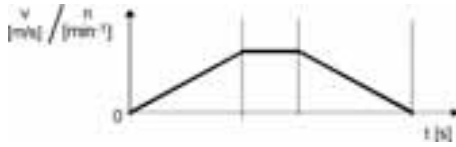


Determination of the required load capacity		
Intensity	$k_I = \frac{M_{L, max}}{M_2}$	$k_I =$ _____
With runtime $t_{run} > 10\%$, take intensity k_I from the calculation into account.		
With runtime $t_{run} \leq 10\%$, take application factor k from the diagram into account. $k =$ _____		
▶ $k \rightarrow$ page 2-25		
	Check	Selection
Load capacity	$t_{run} > 10\% \rightarrow c \geq k_I$ $t_{run} \leq 10\% \rightarrow c \geq k$	$c =$ _____
Determine the geared servo motor/inverter combination		
▶ General information \rightarrow Fax orders		
Dimensioning of other accessory components, such as brake choppers for operation in generator mode, mains filters, etc.		
▶ Servo inverter catalogue		

Dimensioning of geared servo motors with speed profiles, cycle time/load cycle time ≤ 1 min

The profiles, some examples of which are shown below, must be determined.

A small sketch of the movement to be carried out can help with the subsequent calculation.





Required input variables								
Operating time/day							_____ [h]	
Average speed utilisation of geared motor							_____ [%]	
Ambient temperature					$T_{amb} =$		_____ [°C]	
Site altitude above mean sea level					$h =$		_____ [m]	
Radial force					$F_r =$		_____ [N]	
Axial force					$F_a =$		_____ [N]	
Transmission element at gearbox		gear wheels, sprockets ...					_____	
Pitch circle diameter of transmission element					$d_w =$		_____ [mm]	
Short-time maximum torque		emergency-off, quick stop, occasional high starting duty					$M_{load, max}$ _____ [Nm]	
Runtime at maximum torque					$t_{run} =$		_____ [%]	
Time characteristic of load for the individual time segments z								
Time t [s]	Individual time segments Δt_{time} [s]	Load speed $n_{load, z}$ [rpm]	Load speed variation $\Delta n_{load, z}$ [rpm]	Stationary load torque $M_{load, time}$ [Nm]	Torque M_{time} [Nm]	Acceleration torque $M_{s, time}$ [Nm]	Moment of inertia J_{load} [kgm ²]	
Load cycle time	$T = \sum \Delta t_{time}$				$T =$		_____ [s]	
Calculation of process requirement values								
Torque per time segment	$M_z = M_{load, z} + J_{load} \cdot \frac{2\pi \cdot \Delta n_{load, z}}{60 \Delta t_z} = M_{load, z} + 0.105 \cdot \frac{\Delta n_{load, z}}{\Delta t_z} \cdot J_{load}$							
Maximum torque of the profile	$M_{p, max} = \max(M_z)$						$M_{p, max} =$	_____ [Nm]
Effective torque	$M_{eff} = \sqrt{\frac{1}{T} \sum M_z^2 \cdot \Delta t_z}, T \leq 1 \text{ min}$						$M_{eff} =$	_____ [Nm]
Average speed	$n_m = \overline{n_{load, z}} = \text{mean value}(n_{load, z}) = \frac{1}{T} \sum n_{load, z} \cdot \Delta t_z$							
Maximum speed	$n_{max} = \max(n_{load, z})$						$n_{max} =$	_____ [rpm]

Determine gearbox design and servo motor design		
Gearbox type	GST, GFL, GKR, GKS, GSS, GPA	= _____
Mounting position	A, B, C, D, E, F	= _____
Output designs	Shaft design: hollow shaft, solid shaft, etc.	= _____
	Flange	= _____
Drive design	A (asynchronous)/S (synchronous)	= _____
Cooling type	Naturally ventilated/forced ventilated	= _____
<ul style="list-style-type: none"> ▶ Product key → Fold-out page at front ▶ Drive dimensioning chapter → Gearbox designs/Servo motor designs 		
Determine the gearbox size from the forces		
Determination of the axial and radial forces acting on the gearbox shaft		
	Calculation	Check
Transmission element	$f_z =$ _____	
Radial force (from input variable or transmission element)	$F_r = 2000 \cdot \frac{M_{max} \cdot f_z}{d_w}$	$F_r \leq F_{r, perm} = \min(f_w \cdot f_\alpha \cdot F_{r, Tab}; f_w \cdot F_{r, max})$
Axial force		$F_a \leq F_{a, perm} = F_{a, Tab} \text{ at } F_r = 0$
<ul style="list-style-type: none"> ▶ f_z → Page 2-25. $f_w, f_\alpha, F_r, Tab, F_a, Tab$ → technical data (depending on gearbox type) → permissible radial and axial forces 		
Determine speed correction factors		
Ambient temperature, site altitude	$k_{n1} =$ _____	
Mounting position	$k_{n2} =$ _____	
Average speed utilisation of the geared motor (in % of n_{load}) and daily operating time	$k_{n3} =$ _____	
$k_n = k_{n1} \cdot k_{n2} \cdot k_{n3} =$ _____		
▶ k_{n1}, k_{n2}, k_{n3} → Page 2-24		



Selecting and checking the servo geared motor/inverter combination		
	Check	Preselection
Output torque	$M_2 > M_{eff}$	$M_2 =$ _____ [Nm]
Output speed	$n_{2therm} \geq \frac{n_m}{k_n}$ (recommended)	$n_{2therm} =$ _____ [rpm]
	$n_{2trans} \geq n_{max}$	$n_{2trans} =$ _____ [rpm]
Maximum speed	$n_{1,max} \leq n_{max} \cdot i$	$n_{1,max} =$ _____ [rpm]
Without alternating load	$M_{2GN} \geq M_{p,max}$	$M_{2GN} =$ _____ [Nm]
With alternating load	$M_{2GN} \geq M_{p,max} \cdot 1.4$	
Load capacity of the geared motor		$c =$ _____
Gearbox efficiency	$\eta_G = \eta_{c=1} - (c - 1) \cdot 0.01$	$\eta_G =$ _____
Ratio	$i \approx \sqrt{\frac{J_{load}}{J_{GM} + J_B}}$ (for optimum $k_j = 1$)	$i =$ _____
Load-matching factor for optimum dynamics/control properties	Requirement $k_j = 0.5$ to 10 Optimum $k_j = 1$	$k_j = \frac{J_{load}}{i^2 \cdot (J_{GM} + J_B)} =$ _____
<p>► $n_{1,max}$ → Page 2-23, ► $\eta_{c=1}$ → Page 2-26 $M_2, n_{2therm}, n_{2trans}, M_{2GN}, c, i, J_{GM}$ → Selection tables (depending on gearbox type) J_B → Integrated servo motors</p>		

Check of motor torques

Consideration of the mass inertia of the gearbox, motor and brake

Acceleration torque

$$M_{S,z} = M_z + (J_{GM} + J_B) \cdot \frac{2\pi \cdot \Delta n_{load,z} \cdot i^2}{60 \Delta t_z} \quad M_{S,z} = \text{_____} \text{ [Nm]}$$

Effective torque

$$M_{S,eff} = \sqrt{\frac{1}{T} \sum_z M_{S,z}^2 \cdot \Delta t_z} \quad M_{S,eff} = \text{_____} \text{ [Nm]}$$

Thermal effective operating point below S1 torque characteristic of the servo motor

$$\left(\frac{i \cdot n_m \cdot M_{S,eff}}{k_{n3} \cdot i \cdot \eta_G} \right) \quad \text{_____, _____}$$

All operating points below the maximum torque characteristic of the servo motor/inverter combination,

$$\left(i \cdot n_{load,z}, \frac{M_{S,z}}{i \cdot \eta_G} \right) \quad \text{_____, _____}$$

Servo inverter

Type = E _____ [kHz]

► **Torque characteristic** → Integrated servo motors



Determination of the required load capacity		
Intensity	$k_I = \frac{M_{L, max}}{M_2}$	$k_I = \underline{\hspace{2cm}}$
With runtime $t_{run} > 10\%$, take intensity k_I from the calculation into account.		
With runtime $t_{run} \leq 10\%$, take application factor k from the diagram into account. $k = \underline{\hspace{2cm}}$		
▶ $k \rightarrow$ page 2-25		
	Check	Selection
Load capacity	$t_{run} > 10\% \rightarrow c \geq k_I$ $t_{run} \leq 10\% \rightarrow c \geq k$	$c = \underline{\hspace{2cm}}$
Determine the geared servo motor/inverter combination		
▶ General information \rightarrow Fax orders		
Dimensioning of other accessory components, such as brake choppers for operation in generator mode, mains filters, etc.		
▶ Servo inverter catalogue		





Maximum input speeds

which may not be exceeded even for a short time.

Motor type	Input speed $n_{1,max}$ [rpm]	Motor type	Input speed $n_{1,max}$ [rpm]
MDSKA□□056-22	5000	MDSKS□□056-23	5000
MD□KA□□071-22	5000	MDSKS□□056-33	5000
MD□KA□□080-22	5000	MD□KS□□071-03	5000
MD□KA□□090-22	5000	MD□KS□□071-13	5000
MD□KA□□100-22	4000	MD□KS□□071-33	5000
MD□KA□□112-22	4000		

Recommended motors for operating modes S1 and S6

With operating modes S1 and S6, the motor rotates with a constant, high speed. Motors with low rated speeds are preferable as regards service life and oil temperature rise.

Motor type MD	
MDSKS□□056-23	MDSKA□□056-22 140
MDSKS□□056-33	MDSKA□□071-22 140
MD□KS□□071-03	MDSKA□□080-22 70
MD□KS□□071-13	MDSKA□□090-22 80
MD□KS□□071-33	MDSKA□□100-22 80
	MDSKA□□112-22 85
	MDFKA□□071-22 120
	MDFKA□□080-22 60
	MDFKA□□090-22 60
	MDFKA□□100-22 60
	MDFKA□□112-22 60

Ambient temperature and site altitude k_{n1}

Ambient temperature T_{amb} [°C]	Site altitude h [m] above mean sea level			
	< 1000	< 2000	< 3000	< 4000
	k_{n1}			
≤ 20	1.15	1.04	0.92	0.81
30	1.00	0.90	0.80	0.70
40	0.80	0.72	0.64	0.56
50	0.60	0.54	0.48	0.42
60	0.40	0.36	0.32	0.28

2

Mounting positions k_{n2}

Gearbox type	Mounting position					
	A	B	C	D	E	F
	k_{n2}					
GST	1.0	0.8	0.8	0.7*	1.0	1.0
GFL	1.0	0.8	0.85	0.7*	0.9	0.8
GKS	1.0	0.8	0.8	0.7*	0.8	0.8
GKR	1.0	0.9	0.8	0.8*	0.95	0.95
GSS	1.0	0.9	0.8	0.8*	0.95	0.95

* the average drive speed n_1 should not exceed 1500 min⁻¹

Daily operating time and average speed utilisation of the geared motor k_{n3}

Daily operating time [h]	Average speed utilisation of the geared motor related to load speed n_{load}				
	100%	80%	60%	50%	25%
	k_{n3}				
1.0	1.29	1.33	1.38	1.42	1.55
2.0	1.15	1.20	1.25	1.29	1.42
3.0	1.08	1.12	1.17	1.21	1.34
4.0	1.02	1.06	1.12	1.15	1.29
5.5	0.96	1.00	1.06	1.09	1.22
8.0	0.89	0.93	0.99	1.02	1.15
12.0	0.81	0.85	0.91	0.94	1.08
16.0	0.76	0.80	0.85	0.89	1.02
20.0	0.71	0.76	0.81	0.85	0.98
24.0	0.68	0.72	0.78	0.81	0.94

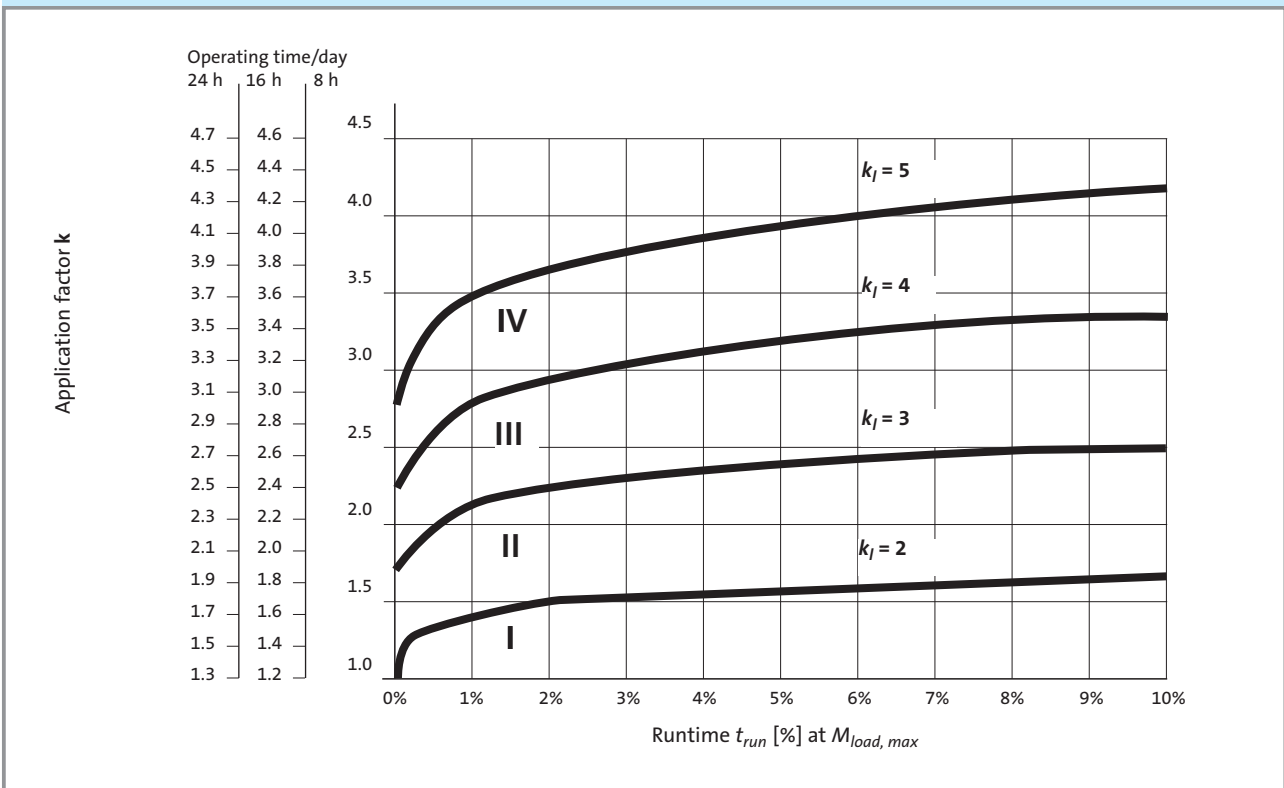


Additional radial force factors of the transmission elements

Transmission element	f_z
Gear wheels	1.12
Sprockets	1.25... 1.4
Toothed belts	1.5
Narrow V-belts, depending on initial stress	1.5 to 2.0

Application factors

Determine application factor k for the machine from the diagram.
Interpolation between the curves is permissible.



Efficiency

Gearbox type	Number of stages			
	1	2	3	4
Efficiency $\eta_{c=1}$				
GST	0.985	0.970	0.956	
GFL	0.970		0.956	
GKR		0.950		
GKS			0.950	0.934



During start-up, the start-up efficiency η_A of a helical-worm gearbox is lower than its operative efficiency at rated speed.

The start-up efficiency η_A must therefore always be considered when starting under load.

GSS 04 -2

i	Output speed n_2 [rpm]														
	1	5	10	16	25	32	40	63	100	160	250	400	630	800	
	Efficiency														
η_A	$\eta_{c=1}$	$\eta_{c=1}$	$\eta_{c=1}$	$\eta_{c=1}$	$\eta_{c=1}$	$\eta_{c=1}$	$\eta_{c=1}$	$\eta_{c=1}$	$\eta_{c=1}$	$\eta_{c=1}$	$\eta_{c=1}$	$\eta_{c=1}$	$\eta_{c=1}$	$\eta_{c=1}$	
5.639	0.71	0.78	0.79	0.83	0.86	0.88	0.89	0.89	0.90	0.90	0.90	0.90	0.90	0.89	0.89
7.733	0.71	0.78	0.79	0.83	0.86	0.88	0.89	0.89	0.90	0.90	0.90	0.90	0.90	0.89	0.89
9.042	0.67	0.74	0.76	0.81	0.84	0.86	0.87	0.87	0.88	0.88	0.87	0.87	0.87	0.87	
9.897	0.71	0.78	0.79	0.83	0.86	0.88	0.89	0.89	0.90	0.90	0.90	0.90	0.90	0.89	0.89
10.827	0.71	0.78	0.79	0.83	0.86	0.88	0.89	0.89	0.90	0.90	0.90	0.90	0.90	0.89	0.89
12.400	0.67	0.74	0.76	0.81	0.84	0.86	0.87	0.87	0.88	0.88	0.87	0.87	0.87	0.87	
13.810	0.71	0.78	0.79	0.83	0.86	0.88	0.89	0.89	0.90	0.90	0.90	0.90	0.90	0.89	0.89
15.869	0.67	0.74	0.76	0.81	0.84	0.86	0.87	0.87	0.88	0.88	0.87	0.87	0.87	0.87	
17.360	0.67	0.74	0.76	0.81	0.84	0.86	0.87	0.87	0.88	0.88	0.87	0.87	0.87	0.87	
20.417	0.55	0.60	0.71	0.76	0.78	0.79	0.79	0.79	0.79	0.79	0.78	0.78			
22.143	0.67	0.74	0.76	0.81	0.84	0.86	0.87	0.87	0.88	0.88	0.87	0.87	0.87	0.87	
24.800	0.56	0.62	0.72	0.77	0.79	0.80	0.81	0.81	0.81	0.80	0.80	0.79			
27.125	0.67	0.74	0.76	0.81	0.84	0.86	0.87	0.87	0.88	0.88	0.87	0.87	0.87	0.87	
31.738	0.56	0.62	0.72	0.77	0.79	0.80	0.81	0.81	0.81	0.80	0.80	0.79			
34.100	0.67	0.74	0.76	0.81	0.84	0.86	0.87	0.87	0.88	0.88	0.87	0.87	0.87	0.87	
39.200	0.55	0.60	0.71	0.76	0.78	0.79	0.79	0.79	0.79	0.79	0.78	0.78			
43.917	0.67	0.74	0.76	0.81	0.84	0.86	0.87	0.87	0.88	0.88	0.87	0.87	0.87	0.87	
50.000	0.55	0.60	0.71	0.76	0.78	0.79	0.79	0.79	0.79	0.79	0.78	0.78			
54.250	0.56	0.62	0.72	0.77	0.79	0.80	0.81	0.81	0.81	0.80	0.80	0.79			
61.250	0.55	0.60	0.71	0.76	0.78	0.79	0.79	0.79	0.79	0.79	0.78	0.78			
68.200	0.56	0.62	0.72	0.77	0.79	0.80	0.81	0.81	0.81	0.80	0.80	0.79			
77.000	0.55	0.60	0.71	0.76	0.78	0.79	0.79	0.79	0.79	0.79	0.78	0.78			
87.833	0.56	0.62	0.72	0.77	0.79	0.80	0.81	0.81	0.81	0.80	0.80	0.79			
99.167	0.55	0.60	0.71	0.76	0.78	0.79	0.79	0.79	0.79	0.79	0.78	0.78			
111.318	0.56	0.62	0.72	0.77	0.79	0.80	0.81	0.81	0.81	0.80	0.80	0.79			
125.682	0.55	0.60	0.71	0.76	0.78	0.79	0.79	0.79	0.79	0.79	0.78	0.78			
139.500	0.56	0.62	0.72	0.77	0.79	0.80	0.81	0.81	0.81	0.80	0.80	0.79			
157.500	0.55	0.60	0.71	0.76	0.78	0.79	0.79	0.79	0.79	0.79	0.78	0.78			
183.786	0.56	0.62	0.72	0.77	0.79	0.80	0.81	0.81	0.81	0.80	0.80	0.79			
207.500	0.55	0.60	0.71	0.76	0.78	0.79	0.79	0.79	0.79	0.79	0.78	0.78			

GSS 05 -2

i	Output speed n_2 [rpm]														
	1	5	10	16	25	32	40	63	100	160	250	400	630	800	
	Efficiency														
	η_A	$\eta_{c=1}$	$\eta_{c=1}$	$\eta_{c=1}$	$\eta_{c=1}$	$\eta_{c=1}$	$\eta_{c=1}$	$\eta_{c=1}$	$\eta_{c=1}$	$\eta_{c=1}$	$\eta_{c=1}$	$\eta_{c=1}$	$\eta_{c=1}$	$\eta_{c=1}$	$\eta_{c=1}$
5.639	0.71	0.79	0.81	0.85	0.87	0.89	0.90	0.90	0.91	0.91	0.91	0.91	0.90	0.90	0.90
7.733	0.71	0.79	0.81	0.85	0.87	0.89	0.90	0.90	0.91	0.91	0.91	0.91	0.90	0.90	0.90
9.042	0.67	0.75	0.79	0.83	0.86	0.87	0.88	0.88	0.89	0.89	0.88	0.88	0.88	0.88	
9.897	0.71	0.79	0.81	0.85	0.87	0.89	0.90	0.90	0.91	0.91	0.91	0.91	0.90	0.90	0.90
10.827	0.71	0.79	0.81	0.85	0.87	0.89	0.90	0.90	0.91	0.91	0.91	0.91	0.90	0.90	0.90
12.400	0.67	0.75	0.79	0.83	0.86	0.87	0.88	0.88	0.89	0.89	0.88	0.88	0.88	0.88	
13.810	0.71	0.79	0.81	0.85	0.87	0.89	0.90	0.90	0.91	0.91	0.91	0.91	0.90	0.90	0.90
15.869	0.67	0.75	0.79	0.83	0.86	0.87	0.88	0.88	0.89	0.89	0.88	0.88	0.88	0.88	
17.360	0.67	0.75	0.79	0.83	0.86	0.87	0.88	0.88	0.89	0.89	0.88	0.88	0.88	0.88	
20.417	0.55	0.62	0.74	0.79	0.80	0.81	0.81	0.81	0.81	0.81	0.81	0.81			
22.143	0.67	0.75	0.79	0.83	0.86	0.87	0.88	0.88	0.89	0.89	0.88	0.88	0.88	0.88	
24.800	0.57	0.63	0.75	0.79	0.81	0.82	0.82	0.83	0.83	0.82	0.82	0.82			
27.125	0.67	0.75	0.79	0.83	0.86	0.87	0.88	0.88	0.89	0.89	0.88	0.88	0.88	0.88	
31.738	0.57	0.63	0.75	0.79	0.81	0.82	0.82	0.83	0.83	0.82	0.82	0.82			
35.306	0.67	0.75	0.79	0.83	0.86	0.87	0.88	0.88	0.89	0.89	0.88	0.88	0.88	0.88	
39.200	0.55	0.62	0.74	0.79	0.80	0.81	0.81	0.81	0.81	0.81	0.81	0.81			
43.917	0.67	0.75	0.79	0.83	0.86	0.87	0.88	0.88	0.89	0.89	0.88	0.88	0.88	0.88	
50.000	0.55	0.62	0.74	0.79	0.80	0.81	0.81	0.81	0.81	0.81	0.81	0.81			
54.250	0.57	0.63	0.75	0.79	0.81	0.82	0.82	0.83	0.83	0.82	0.82	0.82			
61.250	0.55	0.62	0.74	0.79	0.80	0.81	0.81	0.81	0.81	0.81	0.81	0.81			
70.611	0.57	0.63	0.75	0.79	0.81	0.82	0.82	0.83	0.83	0.82	0.82	0.82			
79.722	0.55	0.62	0.74	0.79	0.80	0.81	0.81	0.81	0.81	0.81	0.81	0.81			
87.833	0.57	0.63	0.75	0.79	0.81	0.82	0.82	0.83	0.83	0.82	0.82	0.82			
99.167	0.55	0.62	0.74	0.79	0.80	0.81	0.81	0.81	0.81	0.81	0.81	0.81			
113.667	0.57	0.63	0.75	0.79	0.81	0.82	0.82	0.83	0.83	0.82	0.82	0.82			
128.333	0.55	0.62	0.74	0.79	0.80	0.81	0.81	0.81	0.81	0.81	0.81	0.81			
137.950	0.57	0.63	0.75	0.79	0.81	0.82	0.82	0.83	0.83	0.82	0.82	0.82			
155.750	0.55	0.62	0.74	0.79	0.80	0.81	0.81	0.81	0.81	0.81	0.81	0.81			
176.313	0.57	0.63	0.75	0.79	0.81	0.82	0.82	0.83	0.83	0.82	0.82	0.82			
199.063	0.55	0.62	0.74	0.79	0.80	0.81	0.81	0.81	0.81	0.81	0.81	0.81			



GSS 05 -3

i	Output speed n_2 [rpm]														
	1	5	10	16	25	32	40	63	100	160	250	400	630	800	
	Efficiency														
	η_A	$\eta_{c=1}$	$\eta_{c=1}$	$\eta_{c=1}$	$\eta_{c=1}$	$\eta_{c=1}$	$\eta_{c=1}$	$\eta_{c=1}$	$\eta_{c=1}$	$\eta_{c=1}$	$\eta_{c=1}$	$\eta_{c=1}$	$\eta_{c=1}$	$\eta_{c=1}$	$\eta_{c=1}$
125.476	0.67	0.75	0.79	0.83	0.86	0.87	0.88	0.88	0.89	0.89	0.88	0.88	0.88	0.88	
153.708	0.67	0.75	0.79	0.83	0.86	0.87	0.88	0.88	0.89	0.89	0.88	0.88	0.88	0.88	
193.233	0.67	0.75	0.79	0.83	0.86	0.87	0.88	0.88	0.89	0.89	0.88	0.88	0.88	0.88	
222.133	0.55	0.62	0.74	0.79	0.80	0.81	0.81	0.81	0.81	0.81	0.81	0.81	0.81	0.81	
250.952	0.57	0.63	0.75	0.79	0.81	0.82	0.82	0.83	0.83	0.82	0.82	0.82	0.82	0.82	
283.333	0.55	0.62	0.74	0.79	0.80	0.81	0.81	0.81	0.81	0.81	0.81	0.81	0.81	0.81	
307.417	0.57	0.63	0.75	0.79	0.81	0.82	0.82	0.83	0.83	0.82	0.82	0.82	0.82	0.82	
347.083	0.55	0.62	0.74	0.79	0.80	0.81	0.81	0.81	0.81	0.81	0.81	0.81	0.81	0.81	
386.467	0.57	0.63	0.75	0.79	0.81	0.82	0.82	0.83	0.83	0.82	0.82	0.82	0.82	0.82	
436.333	0.55	0.62	0.74	0.79	0.80	0.81	0.81	0.81	0.81	0.81	0.81	0.81	0.81	0.81	
497.722	0.57	0.63	0.75	0.79	0.81	0.82	0.82	0.83	0.83	0.82	0.82	0.82	0.82	0.82	
561.944	0.55	0.62	0.74	0.79	0.80	0.81	0.81	0.81	0.81	0.81	0.81	0.81	0.81	0.81	
630.803	0.57	0.63	0.75	0.79	0.81	0.82	0.82	0.83	0.83	0.82	0.82	0.82	0.82	0.82	
712.197	0.55	0.62	0.74	0.79	0.80	0.81	0.81	0.81	0.81	0.81	0.81	0.81	0.81	0.81	

GSS 06 -2

i	Output speed n_2 [rpm]														
	1	5	10	16	25	32	40	63	100	160	250	400	630	800	
	Efficiency														
	η_A	$\eta_{c=1}$	$\eta_{c=1}$	$\eta_{c=1}$	$\eta_{c=1}$	$\eta_{c=1}$	$\eta_{c=1}$	$\eta_{c=1}$	$\eta_{c=1}$	$\eta_{c=1}$	$\eta_{c=1}$	$\eta_{c=1}$	$\eta_{c=1}$	$\eta_{c=1}$	$\eta_{c=1}$
5.833	0.72	0.80	0.83	0.87	0.89	0.90	0.91	0.91	0.91	0.92	0.92	0.92	0.91	0.91	0.91
8.000	0.72	0.80	0.83	0.87	0.89	0.90	0.91	0.91	0.91	0.92	0.92	0.92	0.91	0.91	0.91
9.042	0.67	0.75	0.81	0.85	0.87	0.88	0.89	0.89	0.89	0.89	0.89	0.89	0.89	0.89	
10.238	0.72	0.80	0.83	0.87	0.89	0.90	0.91	0.91	0.91	0.92	0.92	0.92	0.91	0.91	0.91
11.200	0.72	0.80	0.83	0.87	0.89	0.90	0.91	0.91	0.91	0.92	0.92	0.92	0.91	0.91	0.91
12.400	0.67	0.75	0.81	0.85	0.87	0.88	0.89	0.89	0.89	0.89	0.89	0.89	0.89	0.89	
14.286	0.72	0.80	0.83	0.87	0.89	0.90	0.91	0.91	0.91	0.92	0.92	0.92	0.91	0.91	0.91
15.869	0.67	0.75	0.81	0.85	0.87	0.88	0.89	0.89	0.89	0.89	0.89	0.89	0.89	0.89	
17.360	0.67	0.75	0.81	0.85	0.87	0.88	0.89	0.89	0.89	0.89	0.89	0.89	0.89	0.89	
20.417	0.57	0.64	0.77	0.81	0.82	0.83	0.83	0.83	0.83	0.83	0.83	0.83			
22.143	0.67	0.75	0.81	0.85	0.87	0.88	0.89	0.89	0.89	0.89	0.89	0.89	0.89	0.89	
24.800	0.57	0.64	0.77	0.81	0.83	0.83	0.83	0.83	0.83	0.83	0.83	0.83			
27.125	0.67	0.75	0.81	0.85	0.87	0.88	0.89	0.89	0.89	0.89	0.89	0.89	0.89	0.89	
31.738	0.57	0.64	0.77	0.81	0.83	0.83	0.83	0.83	0.83	0.83	0.83	0.83			
35.306	0.67	0.75	0.81	0.85	0.87	0.88	0.89	0.89	0.89	0.89	0.89	0.89	0.89	0.89	
39.200	0.57	0.64	0.77	0.81	0.82	0.83	0.83	0.83	0.83	0.83	0.83	0.83			
43.917	0.67	0.75	0.81	0.85	0.87	0.88	0.89	0.89	0.89	0.89	0.89	0.89	0.89	0.89	
50.000	0.57	0.64	0.77	0.81	0.82	0.83	0.83	0.83	0.83	0.83	0.83	0.83			
54.250	0.57	0.64	0.77	0.81	0.83	0.83	0.83	0.83	0.83	0.83	0.83	0.83			
61.250	0.57	0.64	0.77	0.81	0.82	0.83	0.83	0.83	0.83	0.83	0.83	0.83			
70.611	0.57	0.64	0.77	0.81	0.83	0.83	0.83	0.83	0.83	0.83	0.83	0.83			
79.722	0.57	0.64	0.77	0.81	0.82	0.83	0.83	0.83	0.83	0.83	0.83	0.83			
87.833	0.57	0.64	0.77	0.81	0.83	0.83	0.83	0.83	0.83	0.83	0.83	0.83			
99.167	0.57	0.64	0.77	0.81	0.82	0.83	0.83	0.83	0.83	0.83	0.83	0.83			
113.667	0.57	0.64	0.77	0.81	0.83	0.83	0.83	0.83	0.83	0.83	0.83	0.83			
128.333	0.57	0.64	0.77	0.81	0.82	0.83	0.83	0.83	0.83	0.83	0.83	0.83			
137.950	0.57	0.64	0.77	0.81	0.83	0.83	0.83	0.83	0.83	0.83	0.83	0.83			
155.750	0.57	0.64	0.77	0.81	0.82	0.83	0.83	0.83	0.83	0.83	0.83	0.83			
174.375	0.57	0.64	0.77	0.81	0.83	0.83	0.83	0.83	0.83	0.83	0.83	0.83			
196.875	0.57	0.64	0.77	0.81	0.82	0.83	0.83	0.83	0.83	0.83	0.83	0.83			



GSS 06 -3

i	Output speed n_2 [rpm]														
	1	5	10	16	25	32	40	63	100	160	250	400	630	800	
	Efficiency														
	η_A	$\eta_{c=1}$	$\eta_{c=1}$	$\eta_{c=1}$	$\eta_{c=1}$	$\eta_{c=1}$	$\eta_{c=1}$	$\eta_{c=1}$	$\eta_{c=1}$	$\eta_{c=1}$	$\eta_{c=1}$	$\eta_{c=1}$	$\eta_{c=1}$	$\eta_{c=1}$	$\eta_{c=1}$
126.531	0.57	0.64	0.77	0.81	0.83	0.83	0.83	0.83	0.83	0.83	0.83	0.83	0.83	0.83	0.83
142.857	0.57	0.64	0.77	0.81	0.82	0.83	0.83	0.83	0.83	0.83	0.83	0.83	0.83	0.83	0.83
155.000	0.57	0.64	0.77	0.81	0.83	0.83	0.83	0.83	0.83	0.83	0.83	0.83	0.83	0.83	0.83
175.000	0.57	0.64	0.77	0.81	0.82	0.83	0.83	0.83	0.83	0.83	0.83	0.83	0.83	0.83	0.83
194.857	0.57	0.64	0.77	0.81	0.83	0.83	0.83	0.83	0.83	0.83	0.83	0.83	0.83	0.83	0.83
220.000	0.57	0.64	0.77	0.81	0.82	0.83	0.83	0.83	0.83	0.83	0.83	0.83	0.83	0.83	0.83
238.700	0.57	0.64	0.77	0.81	0.83	0.83	0.83	0.83	0.83	0.83	0.83	0.83	0.83	0.83	0.83
269.500	0.57	0.64	0.77	0.81	0.82	0.83	0.83	0.83	0.83	0.83	0.83	0.83	0.83	0.83	0.83
310.689	0.57	0.64	0.77	0.81	0.83	0.83	0.83	0.83	0.83	0.83	0.83	0.83	0.83	0.83	0.83
350.778	0.57	0.64	0.77	0.81	0.82	0.83	0.83	0.83	0.83	0.83	0.83	0.83	0.83	0.83	0.83
386.467	0.57	0.64	0.77	0.81	0.83	0.83	0.83	0.83	0.83	0.83	0.83	0.83	0.83	0.83	0.83
436.333	0.57	0.64	0.77	0.81	0.82	0.83	0.83	0.83	0.83	0.83	0.83	0.83	0.83	0.83	0.83
497.722	0.57	0.64	0.77	0.81	0.83	0.83	0.83	0.83	0.83	0.83	0.83	0.83	0.83	0.83	0.83
561.944	0.57	0.64	0.77	0.81	0.82	0.83	0.83	0.83	0.83	0.83	0.83	0.83	0.83	0.83	0.83
630.803	0.57	0.64	0.77	0.81	0.83	0.83	0.83	0.83	0.83	0.83	0.83	0.83	0.83	0.83	0.83
712.197	0.57	0.64	0.77	0.81	0.82	0.83	0.83	0.83	0.83	0.83	0.83	0.83	0.83	0.83	0.83
816.333	0.57	0.64	0.77	0.81	0.83	0.83	0.83	0.83	0.83	0.83	0.83	0.83	0.83	0.83	0.83
921.667	0.57	0.64	0.77	0.81	0.82	0.83	0.83	0.83	0.83	0.83	0.83	0.83	0.83	0.83	0.83
1023.000	0.57	0.64	0.77	0.81	0.83	0.83	0.83	0.83	0.83	0.83	0.83	0.83	0.83	0.83	0.83
1155.000	0.57	0.64	0.77	0.81	0.82	0.83	0.83	0.83	0.83	0.83	0.83	0.83	0.83	0.83	0.83
1241.550	0.57	0.64	0.77	0.81	0.83	0.83	0.83	0.83	0.83	0.83	0.83	0.83	0.83	0.83	0.83
1401.750	0.57	0.64	0.77	0.81	0.82	0.83	0.83	0.83	0.83	0.83	0.83	0.83	0.83	0.83	0.83
1635.693	0.57	0.64	0.77	0.81	0.83	0.83	0.83	0.83	0.83	0.83	0.83	0.83	0.83	0.83	0.83
1846.750	0.57	0.64	0.77	0.81	0.82	0.83	0.83	0.83	0.83	0.83	0.83	0.83	0.83	0.83	0.83

GSS 07 -2

i	Output speed n_2 [rpm]														
	1	5	10	16	25	32	40	63	100	160	250	400	630	800	
	Efficiency														
	η_A	$\eta_{c=1}$	$\eta_{c=1}$	$\eta_{c=1}$	$\eta_{c=1}$	$\eta_{c=1}$	$\eta_{c=1}$	$\eta_{c=1}$	$\eta_{c=1}$	$\eta_{c=1}$	$\eta_{c=1}$	$\eta_{c=1}$	$\eta_{c=1}$	$\eta_{c=1}$	$\eta_{c=1}$
5.862	0.74	0.82	0.86	0.89	0.91	0.92	0.92	0.92	0.92	0.92	0.92	0.92	0.92	0.92	0.92
8.125	0.74	0.82	0.86	0.89	0.91	0.92	0.92	0.92	0.92	0.92	0.92	0.92	0.92	0.92	0.92
9.086	0.69	0.77	0.84	0.88	0.89	0.90	0.90	0.90	0.90	0.90	0.90	0.90	0.90	0.90	
10.000	0.74	0.82	0.86	0.89	0.91	0.92	0.92	0.92	0.92	0.92	0.92	0.92	0.92	0.92	0.92
11.200	0.74	0.82	0.86	0.89	0.91	0.92	0.92	0.92	0.92	0.92	0.92	0.92	0.92	0.92	0.92
12.594	0.69	0.77	0.84	0.88	0.89	0.90	0.90	0.90	0.90	0.90	0.90	0.90	0.90	0.90	
14.286	0.74	0.82	0.86	0.89	0.91	0.92	0.92	0.92	0.92	0.92	0.92	0.92	0.92	0.92	0.92
15.500	0.69	0.77	0.84	0.88	0.89	0.90	0.90	0.90	0.90	0.90	0.90	0.90	0.90	0.90	
17.360	0.69	0.77	0.84	0.88	0.89	0.90	0.90	0.90	0.90	0.90	0.90	0.90	0.90	0.90	
20.517	0.60	0.67	0.81	0.84	0.84	0.85	0.85	0.85	0.85	0.85	0.85	0.85			
22.143	0.69	0.77	0.84	0.88	0.89	0.90	0.90	0.90	0.90	0.90	0.90	0.90	0.90	0.90	
25.188	0.60	0.66	0.80	0.84	0.85	0.85	0.85	0.85	0.85	0.85	0.85	0.85			
27.125	0.69	0.77	0.84	0.88	0.89	0.90	0.90	0.90	0.90	0.90	0.90	0.90	0.90	0.90	
31.000	0.60	0.66	0.80	0.84	0.85	0.85	0.85	0.85	0.85	0.85	0.85	0.85			
35.306	0.69	0.77	0.84	0.88	0.89	0.90	0.90	0.90	0.90	0.90	0.90	0.90	0.90	0.90	
39.200	0.60	0.67	0.81	0.84	0.84	0.85	0.85	0.85	0.85	0.85	0.85	0.85			
43.271	0.69	0.77	0.84	0.88	0.89	0.90	0.90	0.90	0.90	0.90	0.90	0.90	0.90	0.90	
50.000	0.60	0.67	0.81	0.84	0.84	0.85	0.85	0.85	0.85	0.85	0.85	0.85			
54.250	0.60	0.66	0.80	0.84	0.85	0.85	0.85	0.85	0.85	0.85	0.85	0.85			
61.250	0.60	0.67	0.81	0.84	0.84	0.85	0.85	0.85	0.85	0.85	0.85	0.85			
70.611	0.60	0.66	0.80	0.84	0.85	0.85	0.85	0.85	0.85	0.85	0.85	0.85			
79.722	0.60	0.67	0.81	0.84	0.84	0.85	0.85	0.85	0.85	0.85	0.85	0.85			
86.542	0.60	0.66	0.80	0.84	0.85	0.85	0.85	0.85	0.85	0.85	0.85	0.85			
97.708	0.60	0.67	0.81	0.84	0.84	0.85	0.85	0.85	0.85	0.85	0.85	0.85			
113.667	0.60	0.66	0.80	0.84	0.85	0.85	0.85	0.85	0.85	0.85	0.85	0.85			
128.333	0.60	0.67	0.81	0.84	0.84	0.85	0.85	0.85	0.85	0.85	0.85	0.85			
137.950	0.60	0.66	0.80	0.84	0.85	0.85	0.85	0.85	0.85	0.85	0.85	0.85			
155.750	0.60	0.67	0.81	0.84	0.84	0.85	0.85	0.85	0.85	0.85	0.85	0.85			
174.375	0.60	0.66	0.80	0.84	0.85	0.85	0.85	0.85	0.85	0.85	0.85	0.85			
196.875	0.60	0.67	0.81	0.84	0.84	0.85	0.85	0.85	0.85	0.85	0.85	0.85			



GSS 07 -3

i	Output speed n_2 [rpm]														
	1	5	10	16	25	32	40	63	100	160	250	400	630	800	
	Efficiency														
	η_A	$\eta_{c=1}$	$\eta_{c=1}$	$\eta_{c=1}$	$\eta_{c=1}$	$\eta_{c=1}$	$\eta_{c=1}$	$\eta_{c=1}$	$\eta_{c=1}$	$\eta_{c=1}$	$\eta_{c=1}$	$\eta_{c=1}$	$\eta_{c=1}$	$\eta_{c=1}$	$\eta_{c=1}$
126.531	0.60	0.66	0.80	0.84	0.85	0.85	0.85	0.85	0.85	0.85	0.85	0.85	0.85	0.85	0.85
142.857	0.60	0.67	0.81	0.84	0.84	0.85	0.85	0.85	0.85	0.85	0.85	0.85	0.85	0.85	0.85
155.000	0.60	0.66	0.80	0.84	0.85	0.85	0.85	0.85	0.85	0.85	0.85	0.85	0.85	0.85	0.85
175.000	0.60	0.67	0.81	0.84	0.84	0.85	0.85	0.85	0.85	0.85	0.85	0.85	0.85	0.85	0.85
201.746	0.60	0.66	0.80	0.84	0.85	0.85	0.85	0.85	0.85	0.85	0.85	0.85	0.85	0.85	0.85
227.778	0.60	0.67	0.81	0.84	0.84	0.85	0.85	0.85	0.85	0.85	0.85	0.85	0.85	0.85	0.85
247.139	0.60	0.66	0.80	0.84	0.85	0.85	0.85	0.85	0.85	0.85	0.85	0.85	0.85	0.85	0.85
279.028	0.60	0.67	0.81	0.84	0.84	0.85	0.85	0.85	0.85	0.85	0.85	0.85	0.85	0.85	0.85
321.673	0.60	0.66	0.80	0.84	0.85	0.85	0.85	0.85	0.85	0.85	0.85	0.85	0.85	0.85	0.85
363.179	0.60	0.67	0.81	0.84	0.84	0.85	0.85	0.85	0.85	0.85	0.85	0.85	0.85	0.85	0.85
394.245	0.60	0.66	0.80	0.84	0.85	0.85	0.85	0.85	0.85	0.85	0.85	0.85	0.85	0.85	0.85
445.116	0.60	0.67	0.81	0.84	0.84	0.85	0.85	0.85	0.85	0.85	0.85	0.85	0.85	0.85	0.85
490.403	0.60	0.66	0.80	0.84	0.85	0.85	0.85	0.85	0.85	0.85	0.85	0.85	0.85	0.85	0.85
553.681	0.60	0.67	0.81	0.84	0.84	0.85	0.85	0.85	0.85	0.85	0.85	0.85	0.85	0.85	0.85
634.639	0.60	0.66	0.80	0.84	0.85	0.85	0.85	0.85	0.85	0.85	0.85	0.85	0.85	0.85	0.85
716.528	0.60	0.67	0.81	0.84	0.84	0.85	0.85	0.85	0.85	0.85	0.85	0.85	0.85	0.85	0.85
833.556	0.60	0.66	0.80	0.84	0.85	0.85	0.85	0.85	0.85	0.85	0.85	0.85	0.85	0.85	0.85
941.111	0.60	0.67	0.81	0.84	0.84	0.85	0.85	0.85	0.85	0.85	0.85	0.85	0.85	0.85	0.85
1011.633	0.60	0.66	0.80	0.84	0.85	0.85	0.85	0.85	0.85	0.85	0.85	0.85	0.85	0.85	0.85
1142.167	0.60	0.67	0.81	0.84	0.84	0.85	0.85	0.85	0.85	0.85	0.85	0.85	0.85	0.85	0.85
1227.755	0.60	0.66	0.80	0.84	0.85	0.85	0.85	0.85	0.85	0.85	0.85	0.85	0.85	0.85	0.85
1386.175	0.60	0.67	0.81	0.84	0.84	0.85	0.85	0.85	0.85	0.85	0.85	0.85	0.85	0.85	0.85
1569.181	0.60	0.66	0.80	0.84	0.85	0.85	0.85	0.85	0.85	0.85	0.85	0.85	0.85	0.85	0.85
1771.656	0.60	0.67	0.81	0.84	0.84	0.85	0.85	0.85	0.85	0.85	0.85	0.85	0.85	0.85	0.85





General data

		GST	GFL	GKR	GKS	GSS
Housing	Version	Cuboid				
	Material	Aluminium/Cast iron				
Solid shaft	Version	With keyway to DIN 6885				
	Tolerance	k6 (d ≤ 50 mm) m6 (d > 50 mm)				
	Material	Tempered steel C45/42CrMo4				
Hollow shaft	Version	–	–	H: With keyway S: Smooth		
	Tolerance	–	–	Bore H7		
	Material	–	–	Tempered steel C45		
Toothed parts	Version	Optimised tooth flanks and profile geometry Ground tooth flanks				
	Material	Case-hardened steel				
Shaft-hub connection		1st stage/prestage/helical (bevel) gearbox: friction-type connection Output stage (= 2nd, 3rd or 4th stage): friction-type or positive-fit connection				
Shaft sealing rings	Version	With dust protection lip				
	Material	NB/FP				
Bearings	Version	Ball bearing/tapered-roller bearing depending on size and version				
Lubricants	Version	In accordance with DIN 51502				
	Fill volumes	Depends on the mounting position ⇨ Operating Instructions				
Mechanical efficiency	At rated torque	0.95 ≤ η ≤ 0.97	0.95 ≤ η ≤ 0.97	0.95 ≤ η ≤ 0.96	0.92 ≤ η ≤ 0.95	0.75 ≤ η ≤ 0.90 ▶ Dependent on transmission ratio ▶ at n ₁ = 1400 rpm ▶ Housing at operating temperature and teeth run in
		Does not exceed the emission values specified in VDI Guideline 2159				

Drive dimensioning

Gearbox versions

Basic versions

Gearbox type	Gearbox size	No. of stages	Input design	Output design								Possible combinations Housing with flange	Oil control plug	Ventilation units	Lubricants		Colour								
				Shafts [mm]			Housing				Flange [mm]				Synthetic CLP HC 320	Synthetic CLP PG 460	Paint RAL 9005 (black)	Grey primer							
				Solid shaft	Hollow shaft	Hollow shaft with shrink disc	Foot mounting with centring and pitch circle	Foot mounting without centring	With centring and pitch circle	With pitch circle	Without flange								With flange (through holes)	With flange (threaded holes)					
Product key				V	H	S	A	B	C	D	R	K	L												
GST	04	1	A S	16x32				●	●		●	120/140 160		AR AL BR CR CK	●	●	●	●							
				20x40			●	●	●	●	120/140 160	120/140													
	05	1		20x40				●	●	●		●	120/140 160/200							●					
				25x50			●	●	●	●	●	120/140 160/200	120/140 160							●					
	06	1		25x50				●	●	●		●	160/200							●	●				
				30x60			●	●	●	●	●	160/200	160/200							●					
	07	1		30x60				●	●	●		●	200/250							●					
				40x80			●	●	●	●	●	200/250	200/250							●					
	09	1		40x80				●	●	●		●	250/300							●	●				
				50x100			●	●	●	●	●	250/300	250/300							●	●				
	11	2/3		60x120				●	●	●		●	300/350						300/350		●	●			
				80x160			●	●	●	●	●	350/400	350/400							●	●				
	GFL	04		2	A S	25x50	25/30	25/30					●						160		AR BR CR CK DR	●	●	●	●
						30x60	30/35	35				●	200												
06		2/3	40x80	40/45		40	Feet in position 3 or 4 Centring and pitch circle in position 6	Feet in position 3 or 4 Pitch circle in position 6	Centring and pitch circle in position 6	Pitch circle in position 6	●	200 only with H+S 250		●	●										
			50x100	50/55		50					●	250/300		●	●										
09		2/3	60x120	60/70		65					●	350		●	●										
			80x160	70/80		80					●	400/450		●	●										
14		2/3	100x200	100		100					●	450		●	●										
GKR	04	2	A S	20x40	20/25	20					Feet in position 4+6 Centring and pitch circle in position 3+5	Feet in position 4+6 Pitch circle in position 3+5				●	120/160		AR BR AK	●	●	●	●		
				30x60	30/35	30/35	●	160/200																	
				35x70	40/45	40	●	200/250																	
GKS	04	3	A S	25x50	25/30	25/30	Feet in position 2+4+6 Centring and pitch circle in position 3+5	Feet in position 2+4+6 Pitch circle in position 3+5				●	160		AR BR AK	●	●	●	●						
				30x60	30/35	35			●	200															
	06	3/4		40x80	40/45	40			●	200 only with H+S 250		●	●												
				50x100	50/55	50			●	250/300		●	●												
	11	3/4		60x120	60/70	65			●	350		●	●												
				80x160	70/80	80			●	400/450		●	●												
GSS	04	2	A S	25x50	25/30	25/30	Feet in position 2+4+6 Centring and pitch circle in position 3+5	Feet in position 2+4+6 Pitch circle in position 3+5				●	160		AR BR AK	●	●	●	●						
				30x60	30/35	35			●	200															
	06	2/3		40x80	40/45	40			●	200 only with H+S 250		●	●												
				50x100	50/55	50			●	250/300		●	●												



Options

Gearbox type	Gearbox size	No. of stages	Input design	Shaft			Built-on accessories							Lubricants	Colour		
				2nd solid shaft end	Reinforced shaft bearing	Shaft sealing ring FP (Viton)	Rubber buffer set	Torque plate on pitch circle	Torque plate on housing foot	Hoseproof hollow shaft cover	Shrink disc cover	Oil-sight glass	Ventilation units			Reservoir (ventilation) for mounting position C	
Product key				V													
GST	04	1	A S		●												
		2															
	05	1			●												
		2/3															
	06	1			●												
		2/3															
	07	1			●												
		2/3															
	09	1			●												
	2/3																
11	2/3	1)	●/-														
14	2/3	1)	●/-														
GFL	04	2	A S		2)	●	●										
	05	2/3															
	06	2/3															
	07	2/3															
	09	2/3															
	11	2/3															●/-
14	2/3	●/-															
GKR	04	2	A S	●		●	●	●	●								
	05	2															
	06	2															
GKS	04	3	A S	●	2)	●											
	05	3/4															
	06	3/4															
	07	3/4															
	09	3/4															
	11	3/4															●/-
14	3/4	●/-															
GSS	04	2	A S	●	2)	●										● 3)	
	05	2/3															
	06	2/3															
	07	2/3															

1) Standard bearing
 2) On request
 3) Torque derating required: $M_2 \text{ perm.} = M_2 * 0.8$

Gearboxes with ventilation

Gearbox size 04 and gearbox type GKR

No ventilation is required for these gearboxes.

Gearbox size 05 to 07

Special measures are not usually required when using these gearbox sizes.

In borderline cases, e.g. at drive speeds >2000 rpm, we recommend that breather elements are used. We can supply these elements if required.

Gearbox size 09 to 14

Ventilation units are always supplied with these gearbox sizes.

Special precautions for mounting position C (motor on top)

We recommend that an oil compensation reservoir is always used with gearbox sizes 09 to 14 in this mounting position. This reservoir can be purchased as an option. See technical data for illustrations and dimensions (Chapter 3...7).

It is not required at high ratios or low input speeds. Please contact Lenze if this affects your application.







Lubricants

Lenze gearboxes and geared motors are supplied ready for operation and filled with a lubricant appropriate for the drive and design in question. You must indicate the mounting position and design on your order in order to ensure that the correct amount of lubricant is supplied.

The lubricants that have been approved for Lenze drives are listed in the lubricants table.

Lubricant table

	Ambient temperature			DIN 51517-3: CLP ISO 12925-1: CKC/CKD		GST, GFL, GKS, GKR	GSS
	-50	0°C	+50				
	-20		+40		CLP PG	VG 460	Klübersynth GH 6-460 1)
	-20		+40		CLP HC	VG 220	Klüberoil 4 UH1-220 N
	-25		+50 2)		CLP HC	VG 320	Renolin Unisyn CLP 320

CLP PG = Polyglycol oil

CLP HC = Synthetic hydrocarbons/poly-alpha-olefin oil

- 1) = Polyglycol oils cannot be mixed with other types of oil.
- 2) = At ambient temperatures above 40°C, please contact Lenze to discuss the exact operating conditions.



=Oils approved for use in the food processing industry (approval to USDA-H1)

General data

	Synchronous servo motors	Asynchronous servo motors
Enclosure	IP 54/IP 65 (naturally ventilated only)	
Thermal class (VDE 0530)	Utilisation in accordance with thermal class F Insulation system (enamel-insulated wire) in accordance with thermal class H	
UL conformity	Optional design with UR approval	
Insulation resistance	Maximum voltage amplitude $\hat{U} = 1.5 \text{ kV}$ Maximum rate of voltage rise $du/dt = 5 \text{ kV}/\mu\text{s}$	
Vibration level	N	N Frame size 056 and 071 R above size 80
Smooth running, axial running, concentricity (DIN 42955)	N	N size 056 and 071 R size 80 and above
Temperature monitoring (no full protection)	Continuous thermal sensor (KTY 83-110)	
Connection	1 connector for each of the following: motor and brake, resolver and thermal sensor, blower (size 071 and above) or terminal box	
Temperature range	-20 to + 40°C with no power reduction (without brake, non-ventilated) -10 to + 40°C with no power reduction (with brake) -15 to + 40°C with no power reduction (forced ventilated)	
Surface temperature	Naturally ventilated motors up to 140°C Forced ventilated motors up to 110°C	
Site altitude	Up to 1000 m amsl with no power reduction, max. 4000 m	
Demagnetising limit	> 4 · I _r with natural ventilation > 2.9 · M _r with forced ventilation	No demagnetisation possible
Maximum torque	> 4 · M _r with natural ventilation > 2.9 · M _r with forced ventilation	> 5 · M _r
Rated speed	3000 rpm	1635-4160 rpm
Phase angle sensor	Resolver/SinCos encoder	Resolver/Incremental encoder/SinCos absolute value encoder
Bearing	Deep-groove ball bearing with high-temperature resistant grease, 2 sealing discs/cover discs	
	Locating bearing at drive end	
Brake	With or without permanent magnet holding brake at drive end	
Fan	Axial blower possible on size 071 and above	
Colour	Black RAL 9005	
Vibration	≤ 2 g without inducing resonance (motors without fans)	



Accessories

Product key		Cooling	Enclosure		Brake			Encoder			Separate connection		
Design Drive	Motor frame size		IP54	IP65	None	24 V DC	205 V	Resolver	SinCos	Incremental	Power - Encoder Brake	Fan	
Synchronous	S	056C23	natur. ventilated	●	●								
		056C33	natur. ventilated	●	●								
		071C03	natur. ventilated	●	●								
			forced ventilated	●		●	●	●	●	●		Connector - Connector Terminal box - Connector Terminal box -Terminal box ¹⁾	Connect.
		071C13	natur. ventilated	●									
			forced ventilated	●									Connect.
071C33	natur. ventilated	●											
	forced ventilated	●									Connect.		
Asynchronous	A	056C22	natur. ventilated	●									
		071C22	natur. ventilated	●									
			forced ventilated	●								Connect.	
		080C22	natur. ventilated	●									
			forced ventilated	●		●	●	●	●	●	●	Connector - Connector Terminal box -Connector Terminal box -Terminal box ¹⁾	Connect.
		090C22	natur. ventilated	●									
			forced ventilated	●									Connect.
		100C22	natur. ventilated	●									
			forced ventilated	●									Connect.
		112C22	natur. ventilated	●									
			forced ventilated	●									Connect.

¹⁾ In this design, the fan connection is located in the terminal box.

General data

Area	Values
Vibration resistance	Germanischer Lloyd, general conditions
Humidity	Humidity class F, no moisture condensation (average relative humidity 85%)
Permissible temperature ranges	During device transport: -25°C ... +70°C During device storage: -25°C ... +55°C During device operation: 0°C ... +40°C +40°C ... +50°C with power reduction of 2.5 % per K
Permissible Installation height h	Up to 1000 m amsl without power reduction 1000 m amsl ... 4000 m amsl 5% per 1000 m
Pollution degree	VDE 0110 Part 2. pollution degree 2
Noise emission	Requirements to EN 50081-1. EN 50081-2. IEC 22G-WG4 (Cv) 21 Limit class A to EN 55011 (industrial premises) with mains filter Limit class B to EN 55022 (residential area) with mains filter and control cabinet installation
Noise immunity	Observance of limit values with mains filter. Requirements to EN 50082-2. IEC 22G-WG4 (Cv) 21. Requirements Standard Severity ESD EN61000-4-2 3. i.e. 8 kV for air discharge and 6 kV for contact discharge RF interference (housing) EN61000-4-3 3. i.e. 10 V/m; 27 to 1000 MHz Burst EN61000-4-4 3/4. i.e. 2 kV/5 kHz Surge (surge voltage on mains cable) IEC 1000-4-5 3. i.e. 1.2/50 ms 1 kV phase-phase, 2 kV phase-PE
Insulation resistance	Overvoltage category III to VDE 0110
Packaging to DIN 4180	► 9321 to 9326: Dustproof package ► 9327 to 9332: Shipping package
Enclosure IP20	IP41 on heatsink side with push-through technique thermal separation NEMA 1: Protection against accidental contact
Approvals	CE: Low-Voltage Directive UL 508: Industrial Control Equipment UL 508C: Power Conversion Equipment



Integrated technologies

An essential part of an intelligent drive solution is the integrated technology function. 9300 range servo inverters feature four software variants in drives with identical hardware:

- ▶ 9300 servo inverter
- ▶ 9300 servo register controller
- ▶ 9300 servo cam profiler
- ▶ 9300 servo position controller

All 4 variants feature a standard operator interface, so that each technology function can be configured quickly and easily. Features include:

9300 servo inverter

The basic functions most commonly required in a servo drive are all implemented in this servo inverter. The electronic gearbox is a very important technology function in this device. As an alternative to a mechanical line shaft, multiple drives can be run in completely synchronous operation via master frequency coupling. In the process, adjustable gearbox factors can be used to achieve synchronous ratios with minimum fuss and maximum flexibility. Feedback systems such as resolvers or SinCos encoders are used to ensure utmost precision.

9300 servo register controller

Material lengths are processed in many machines. Overprinting, cuts, perforations, embossing and cemented joints need to be accurately positioned in accordance with the given print image on the web. However, due to fluctuations caused by industrial processes (material properties, production parameters) the position of this print image can drift. In addition to the basic requirement for an "electric shaft", there is also a demand for a higher-level alignment of the rotational movement on the print image with high register accuracy. The register control which is already integrated in the servo inverter continuously realigns the angular settings of feeder rollers, printing cylinders, cutting rollers and other processing stations with the print image. As a result, over-prints, cuts, perforations, embossing, cemented joints, etc. are positioned exactly where they are meant to be. Even without a higher-level controller and overlay gearboxes, drift becomes a thing of the past.

9300 servo cam profiler

Mechanical cams are common in production machines. Changing or varying a product incurs long and laborious set-up times. Up to 8 different cams can be stored on the 9300 cam profiler, meaning that cams can be changed over during production virtually instantaneously. For the numerous possible applications of the servo cam profiler, a range of additional functions has been integrated, including for example an electronic camshaft controller and mark-controlled cam start. A function for constant welding time at variable cycle rates has been implemented specifically for the opening and closing of welding bars.

9300 servo position controller

Positioning made easy. A complete position control system with sequence control is integrated in the 9300 servo position controller. An easy commissioning process with only a few values to input is a much more modern solution compared to an external positioning control system, which uses a more complicated programming language. The signals from limit switches or other drives can also be evaluated at the same time. If the reaching of the starting position is heavily subject to tolerances, the target position can be located reliably by means of automatic material correction.

Applications

On 9300 series drives, the range of available functions depends on the software loaded. Differentiations are made on the basis of:

	Printing machines, textiles machines, packaging machines	Printing machines, paper machines, packaging, film and textiles machines	Packaging machines, production machines, printing machines	Packaging machines, wood working, storage techniques
Requirement	High dynamics and extensive applications	Insetting, printing, cutting, embossing, perforating, materials requirements	Profiling, filling a variety of goods (cam change-over)	Precision positioning and extensive applications
Single-phase				
Three-phase	9321-9332 Servo inverter	9321-9332 Servo register controller	9321-9332 Servo cam profiler	9321-9332 Servo position controller
Compact design	●	●	●	●
Short-circuit-proof	●	●	●	●
Vector Control	●	●	●	●
Bipolar setpoint	●	●	●	●
Freely assignable inputs/outputs	●	●	●	●
Alarm output	●	●	●	●
DC injection braking	●	●	●	●
Slip compensation	●	●	●	●
Mains failure monitoring	●	●	●	●
Master frequency input	●	●	●	●
Sensorless speed control	●			●
Relative/Absolute positioning				●
Referencing	●		●	●
Point-to-point positioning	●			
Register control		●		
Teach-in function for significant path mark		●		
Time or distance-based generation of correcting variables		●		
Eight cams can be selected			●	
Cam group, position switch points			●	●



Features

Compact servo inverter and servo position controller for three-phase mains connection:

	Servo inverter EVS93XX-ES 0.37-75.0 kW	Servo position controller EVS93XX-EP 0.37-75.0 kW
Slimline individual axis	●	●
Plug-in heatsink	●	●
Power connections on the top	●	●
Underside motor connections	●	●
Direct connection of resolver and encoder, TTL or SinCos	●	●
Integrable phase controller	●	●
Motor phase monitoring for asynchronous motor	●	●
Mains failure monitoring	●	●
Field-based regulation	●	●
Sensorless speed control (SSC technology)	●	●
Digital master frequency synchronous system	●	●
Integrated master frequency input and output	●	●
User configuration	●	●
Modular function blocks	●	●
Process controller and arithmetic blocks	●	●
Integrated system bus interface (CAN)	●	●
UL approval, File No 132659 (listed)	●	●
Point-to-point positioning with/without velocity changeover		●
32 program blocks (PBs) and variable tables (VTs) make programming easy		●
Relative/Absolute positioning		●
Direct evaluation of a SinCos absolute value encoder	●	●
Switch outputs, poll inputs		●
Set reference, actual position		●
Trigger program branching as a function of digital input		●
Trigger program branching as a function of a workpiece counter		●
Touch probe positioning		●
Manual control		●
Position switch points		●
Position switch points, can be dynamised		●
sin ² ramps		●
Application of new travel profile parameters during active positioning		●
Override (speed and acceleration)		●
Manual teach-in		●
Arithmetic linking of target positions		●
Manual control with intermediate stop		●
PFB position actual value storage via touch probe		●
Freely assignable input variables for analog, binary and BCD values		●
Standby mode, change-over of position control to angular synchronism		●
CAN bus synchronisation of position controller		●
Various function blocks for long-value arithmetic and conversion between types of signal		●
Plug-in accessories		
9371BB operating module for parameter setting and transfer	●	●
Serial RS232/485 module on wires or optical fibres 2102IB	●	●
InterBus-S module 2111IB	●	●
PROFIBUS module 2131IB	●	●

Features

Compact servo register controller and servo cam profiler for three-phase mains connection:

	Servo register controller EVS93XX-ER 0.37-75.0 kW	Servo cam profiler EVS93XX-EK 0.37-75.0 kW
Slimline individual axis	●	●
Plug-in heatsink	●	●
Power connections on the top	●	●
Underside motor connections	●	●
Direct connection of resolver and encoder, TTL or SinCos	●	●
Integrable phase controller	●	●
Motor phase monitoring for asynchronous motor	●	●
Mains failure monitoring	●	●
Field-based regulation	●	●
Sensorless speed control (SSC technology)	●	●
Digital master frequency synchronous system	●	●
Integrated master frequency input and output	●	●
User configuration	●	●
Modular function blocks	●	●
Process controller and arithmetic blocks	●	●
Integrated system bus interface (CAN)	●	●
UL approval, File No 132659 (listed)	●	●
Direct evaluation of a SinCos absolute value encoder	●	●
Register correction during active operation	●	
Integrated follow-up controller for gearbox factor tracking	●	
Teach-in function for defining significant path mark	●	
Configurable window for mark detection	●	
Monitoring of mark sensors	●	
Dead time compensation for sensors	●	
Adaptable control mode	●	
Entry of product data in mm or inches (based on time and distance)	●	
Variable limiting of correcting variable	●	
Eight cams can be stored on device		●
Integrated camshaft controller		●
Engagement/Disengagement		●
Extension/Compression of cam		●
Offset in x and y direction		●
Virtual master		●
Welding bar control		●
Cam started via external signal		●
Plug-in accessories		
9371BB operating module for parameter setting and transfer	●	●
Serial RS232/485 module on wires or optical fibres 2102IB	●	●
InterBus-S module 2111IB	●	●
PROFIBUS module 2131IB	●	●





Technical data

Permissible radial and axial forces -	
Output _____	3-2
Output backlash _____	3-4
Ratios _____	3-5
Ventilation _____	3-16
Position of ventilation, sealing elements and oil control _____	3-16
Reservoir for mounting position C _____	3-19
Weights _____	3-20

Selection tables

Synchronous geared servo motors ____	3-23
Naturally ventilated _____	3-23
Forced ventilated _____	3-39
Asynchronous geared servo motors _	3-46
Naturally ventilated _____	3-46
Forced ventilated _____	3-71

Dimensions

Geared servo motors with resolver ____	3-99
1-stage _____	3-99
2-stage _____	3-102
3-stage _____	3-106
Further dimensions _____	3-110
Output design VAR _____	3-110
Output design VAL _____	3-111

Technical data - Helical gearboxes

Permissible radial and axial forces - Output

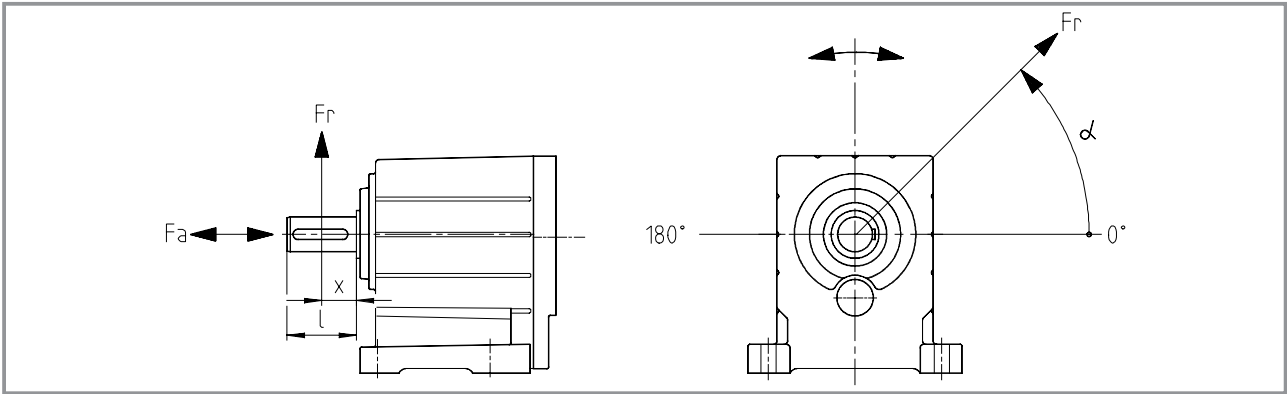
Permissible radial force

$$F_{rperm} = \min (f_w \cdot f_\alpha \cdot F_{rTab}; f_w \cdot F_{rmax})$$

Permissible axial force

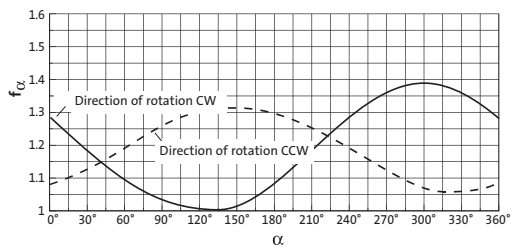
$$F_{aperm} = F_{aTab} \quad \text{at } F_r = 0$$

Contact Lenze if F_r and $F_a \neq 0$



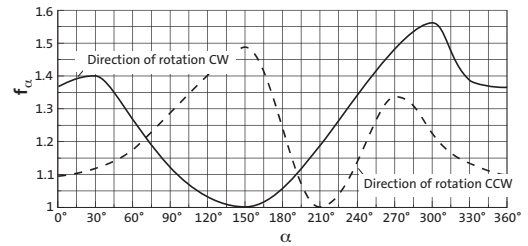
f_α Effective direction factor f_α at output shaft

1-stage helical gearbox GST □□-1



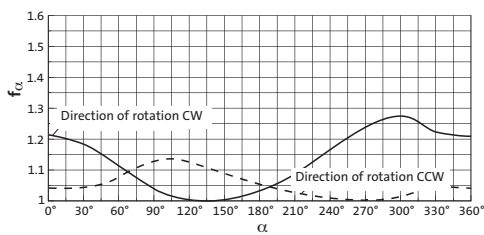
f_α Effective direction factor f_α at output shaft

2 and 3-stage helical gearbox GST 04...09 - 2. 3

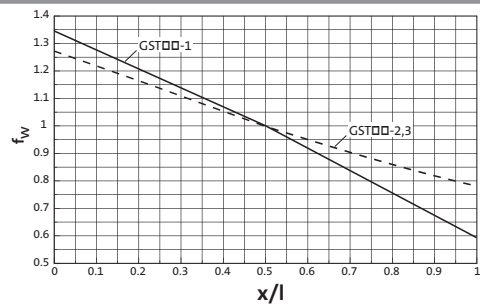


f_α Effective direction factor f_α at output shaft

2 and 3-stage helical gearbox GST 11...14 - 2. 3



f_w Additional load factor f_w at output shaft



Technical data - Helical gearboxes

Permissible radial and axial forces - Output



GST□□-1

V00		Application of force F_r : centre of shaft journal ($x = l/2$) F_{aTab} only valid for $F_r = 0$									
n_2 [rpm]	GST 04		GST 05		GST 06		GST 07		GST 09		
	F_{rTab} [N]	F_{aTab} [N]	F_{rTab} [N]	F_{aTab} [N]	F_{rTab} [N]	F_{aTab} [N]	F_{rTab} [N]	F_{aTab} [N]	F_{rTab} [N]	F_{aTab} [N]	
1000	440	1000	550	1400	800	1500	1200	2000	2500	4300	
600	600	1300	750	2000	800	2000	1300	2700	2500	5700	
400	850	1400	1400	2000	1100	2500	1900	3300	3500	6800	
200	1050	1400	2000	2000	2200	2500	3000	3700	6200	7000	
125	1050	1400	2300	2000	2900	2500	3900	3700	7900	7000	
80	1050	1400	2300	2000	3500	2500	4700	3700	9000	7000	
≤ 50	1050	1400	2300	2000	3500	2500	5300	3700	9500	7000	
$F_{r max.}$	1050	–	2300	–	3500	–	5300	–	9500	–	

GST□□-2. 3 with standard bearing

V00		Application of force F_r : centre of shaft journal ($x = l/2$) F_{aTab} only valid for $F_r = 0$													
n_2 [rpm]	GST 04		GST 05		GST 06		GST 07		GST 09		GST 11		GST 14		
	F_{rTab} [N]	F_{aTab} [N]	F_{rTab} [N]	F_{aTab} [N]	F_{rTab} [N]	F_{aTab} [N]	F_{rTab} [N]	F_{aTab} [N]	F_{rTab} [N]	F_{aTab} [N]	F_{rTab} [N]	F_{aTab} [N]	F_{rTab} [N]	F_{aTab} [N]	
400	1250	1100	1950	2000	2350	850	3400	1900	6800	2300	17000	9500	24000	15000	
250	1450	1300	2200	2300	2600	900	3800	2200	7600	2800	19000	10000	27000	16000	
160	1700	1650	2600	2650	3100	1250	4500	2900	9400	4000	21000	11000	31000	18000	
100	2100	2000	3000	3100	3600	1800	5400	3900	11500	5600	21000	14000	36000	20000	
63	2500	2000	3500	3600	4300	2600	6400	5300	11500	8900	21000	16000	39000	20000	
40	2650	2000	3800	3600	4350	3600	7600	7000	11500	11000	21000	16000	40000	20000	
25	2650	2000	3900	3600	4350	4800	9100	7000	11500	12000	21000	16000	40000	20000	
≤ 16	2650	2000	3900	3600	4350	4800	9500	7000	11500	12000	21000	16000	40000	20000	
$F_{r max.}$	2650	–	3900	–	4350	–	9500	–	11500	–	21000	–	40000	–	

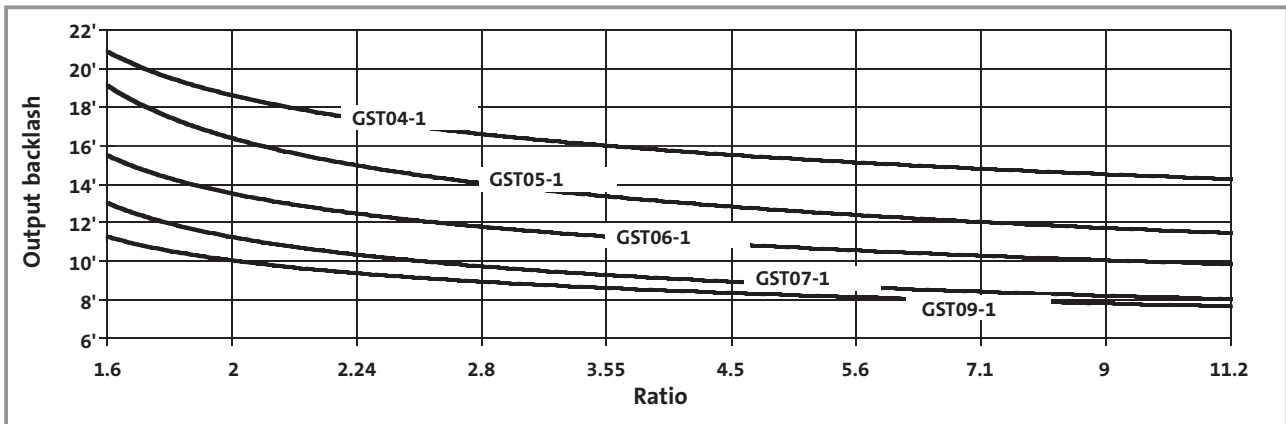
GST□□-2. 3 with reinforced bearing

V00		Application of force F_r : centre of shaft journal ($x = l/2$) F_{aTab} only valid for $F_r = 0$												
n_2 [rpm]	GST 04		GST 05		GST 06		GST 07		GST 09		GST 11		GST 14	
	F_{rTab} [N]	F_{aTab} [N]	F_{rTab} [N]	F_{aTab} [N]	F_{rTab} [N]	F_{aTab} [N]	F_{rTab} [N]	F_{aTab} [N]	F_{rTab} [N]	F_{aTab} [N]	F_{rTab} [N]	F_{aTab} [N]	F_{rTab} [N]	F_{aTab} [N]
400	2850	1700	4900	3600	6300	3500	8500	5500	16500	8000	The standard bearing is a reinforced bearing.			
250	3150	1900	5400	3900	7000	3600	9500	6100	17000	9000				
160	3550	2200	5400	4300	7700	4200	10500	7100	17000	10500				
100	3750	2500	5400	4500	7700	4900	12500	8300	17000	12500				
63	3750	2500	5400	4500	7700	5700	13000	9000	17000	14000				
40	3750	2500	5400	4500	7700	5700	13000	9000	17000	14000				
25	3750	2500	5400	4500	7700	5700	13000	9000	17000	14000				
≤ 16	3750	2500	5400	4500	7700	5700	13000	9000	17000	14000				
$F_{r max.}$	3750	–	5400	–	7700	–	13000	–	17000	–				

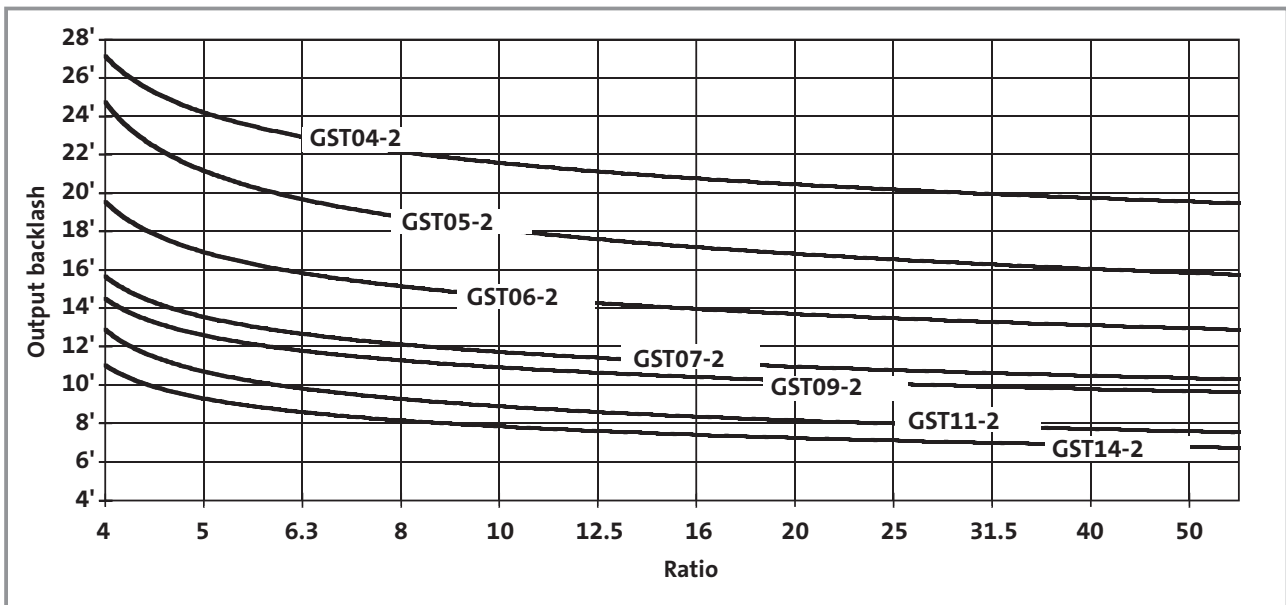
Technical data - Helical gearboxes

Output backlash in angular minutes

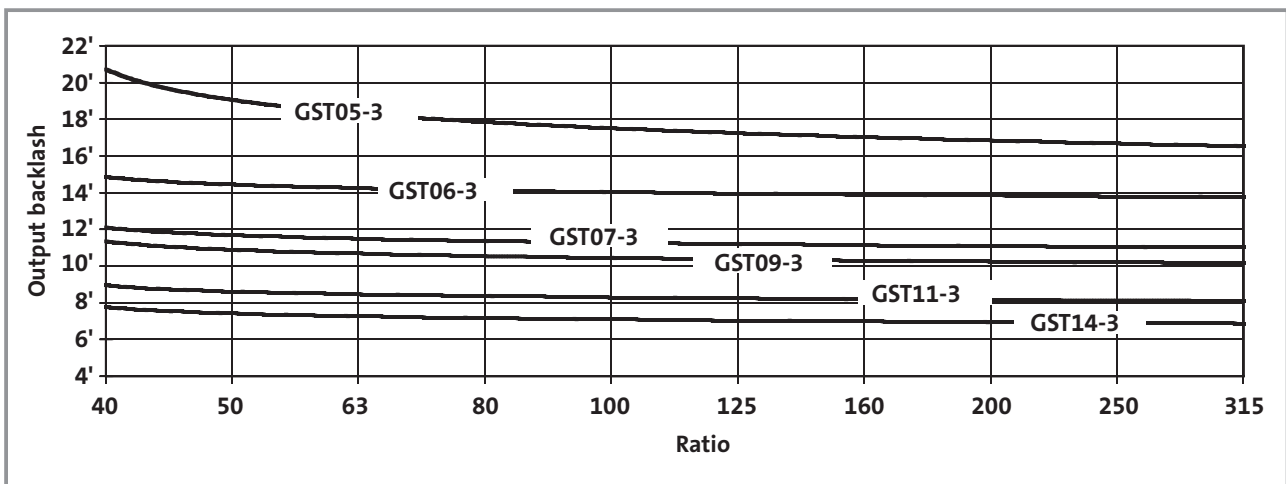
GST□□-1



GST□□-2



GST□□-3



3



Calculation formula: $i_{exact} = \frac{\text{Numerator}}{\text{Denominator}}$

Actual ratio	Numerator	Denominator
GST 04 - 1		
1.600	40	25
2.048	43	21
2.240	56	25
2.857	60	21
3.500	63	18
4.400	66	15
5.667	68	12
7.182	79	11
9.000	81	9
11.857	83	7
GST 04 - 2		
2.956	1330	450
3.333	1400	420
4.053	1520	375
4.571	1600	350
5.187	1634	315
5.850	1720	294
6.400	2240	350
7.040	1760	250
8.000	1800	225
9.010	1892	210
9.856	2464	250
11.200	2520	225
12.571	2640	210
14.286	2700	189
15.400	2772	180
17.500	2835	162
19.360	2904	150
22.000	2970	135
24.933	2992	120
28.333	3060	108
31.600	3476	110
35.909	3555	99
39.600	3564	90
45.000	3645	81
52.171	3652	70
59.286	3735	63

Calculation formula: $i_{exact} = \frac{\text{Numerator}}{\text{Denominator}}$

Actual ratio	Numerator	Denominator
GST 05 - 1		
1.600	40	25
2.048	43	21
2.240	56	25
2.857	60	21
3.500	63	18
4.556	82	18
5.667	68	12
7.333	88	12
8.900	89	10
11.375	91	8
GST 05 - 2		
2.956	1330	450
3.333	1400	420
4.053	1520	375
4.571	1600	350
5.187	1634	315
5.850	1720	294
6.400	2240	350
7.238	2280	315
8.163	2400	294
9.010	1892	210
10.000	2520	252
11.200	2520	225
13.016	3280	252
14.356	2584	180
16.190	2720	168
17.500	2835	162
20.044	3608	180
22.778	3690	162
24.933	2992	120
28.333	3060	108
32.267	3872	120
36.667	3960	108
39.160	3916	100
44.500	4005	90
50.050	4004	80
56.875	4095	72



Calculation formula: $i_{exact} = \frac{\text{Numerator}}{\text{Denominator}}$

Actual ratio	Numerator	Denominator
GST 05 - 3		
36.267	152320	4200
46.259	163200	3528
56.667	171360	3024
63.467	171360	2700
71.238	179520	2520
80.952	183600	2268
91.746	184960	2016
99.167	192780	1944
116.277	214880	1848
124.667	201960	1620
145.714	220320	1512
160.556	208080	1296
179.067	236368	1320
191.973	225760	1176
224.400	242352	1080
255.000	247860	972
295.638	248336	840
335.952	253980	756

Calculation formula: $i_{exact} = \frac{\text{Numerator}}{\text{Denominator}}$

Actual ratio	Numerator	Denominator
GST 06 - 1		
1.600	40	25
2.048	43	21
2.240	56	25
2.857	60	21
3.500	63	18
4.556	82	18
5.667	68	12
7.333	88	12
8.900	89	10
11.250	90	8
GST 06 - 2		
3.033	1365	450
3.333	1400	420
4.160	1560	375
4.571	1600	350
5.324	1677	315
5.850	1720	294
6.400	2240	350
7.040	1760	250
8.163	2400	294
9.010	1892	210
10.000	2520	252
11.200	2520	225
12.571	2640	210
14.286	2700	189
15.400	2772	180
17.500	2835	162
20.044	3608	180
22.778	3690	162
24.933	2992	120
28.333	3060	108
32.267	3872	120
36.667	3960	108
39.160	3916	100
44.500	4005	90
49.500	3960	80
56.250	4050	72



Calculation formula: $i_{exact} = \frac{\text{Numerator}}{\text{Denominator}}$

Actual ratio	Numerator	Denominator
GST 06 - 3		
39.200	158760	4050
44.000	166320	3780
51.022	206640	4050
53.900	174636	3240
67.760	182952	2700
70.156	227304	3240
80.952	183600	2268
87.267	188496	2160
99.167	192780	1944
109.707	197472	1800
124.667	201960	1620
141.289	203456	1440
160.556	208080	1296
179.067	236368	1320
203.485	241740	1188
231.733	305888	1320
255.000	247860	972
290.400	313632	1080
330.000	320760	972
382.590	321376	840
434.762	328680	756

Technical data - Helical gearboxes

Ratios

Calculation formula: $i_{exact} = \frac{\text{Numerator}}{\text{Denominator}}$

Actual ratio	Numerator	Denominator
GST 07 - 1		
1.625	39	24
2.000	42	21
2.240	56	25
2.857	60	21
3.500	63	18
4.556	82	18
5.583	67	12
7.333	88	12
8.900	89	10
11.250	90	8
GST 07 - 2		
3.048	1326	435
3.350	1360	406
4.225	1521	360
4.643	1560	336
5.200	1638	315
5.714	1680	294
6.400	2240	350
7.150	1716	240
8.125	1755	216
8.800	1848	210
9.856	2464	250
11.200	2520	225
12.571	2640	210
14.286	2700	189
15.400	2772	180
17.500	2835	162
20.044	3608	180
22.778	3690	162
24.567	2948	120
27.917	3015	108
32.267	3872	120
36.667	3960	108
39.160	3916	100
44.500	4005	90
49.500	3960	80
56.250	4050	72



Calculation formula: $i_{exact} = \frac{\text{Numerator}}{\text{Denominator}}$

Actual ratio	Numerator	Denominator
GST 07 - 3		
39.200	158760	4050
44.000	166320	3780
51.022	206640	4050
53.900	174636	3240
65.079	221400	3402
70.156	227304	3240
79.762	180900	2268
85.983	185724	2160
97.708	189945	1944
111.915	241736	2160
127.176	247230	1944
139.211	200464	1440
158.194	205020	1296
180.156	259424	1440
204.722	265320	1296
236.622	340736	1440
248.458	268335	1080
268.889	348480	1296
326.333	352440	1080
367.033	352352	960
417.083	360360	864

Technical data - Helical gearboxes

Ratios

Calculation formula: $i_{exact} = \frac{\text{Numerator}}{\text{Denominator}}$

Actual ratio	Numerator	Denominator
GST 09 - 1		
1.560	39	25
2.048	43	21
2.333	56	24
2.810	59	21
3.444	62	18
4.667	84	18
5.667	68	12
7.333	88	12
8.900	89	10
11.250	90	8
GST 09 - 2		
4.056	1521	375
4.457	1560	350
5.324	1677	315
5.850	1720	294
6.667	2240	336
7.305	2301	315
8.027	2360	294
9.010	1892	210
10.267	2464	240
11.667	2520	216
12.362	2596	210
14.048	2655	189
15.156	2728	180
17.222	2790	162
20.533	3696	180
23.333	3780	162
24.933	2992	120
28.333	3060	108
32.267	3872	120
36.667	3960	108
39.160	3916	100
44.500	4005	90
49.500	3960	80
56.250	4050	72



Calculation formula: $i_{exact} = \frac{\text{Numerator}}{\text{Denominator}}$

Actual ratio	Numerator	Denominator
GST 09 - 3		
40.136	159300	3969
43.267	163548	3780
49.167	167265	3402
53.044	171864	3240
60.278	175770	2916
71.867	232848	3240
81.667	238140	2916
93.541	303072	3240
99.167	192780	1944
113.585	245344	2160
129.074	250920	1944
141.289	203456	1440
160.556	208080	1296
182.844	263296	1440
207.778	269280	1296
236.622	340736	1440
252.167	272340	1080
268.889	348480	1296
326.333	352440	1080
363.000	348480	960
412.500	356400	864

Technical data - Helical gearboxes

Ratios

Calculation formula: $i_{exact} = \frac{\text{Numerator}}{\text{Denominator}}$

Actual ratio	Numerator	Denominator
GST 11 - 2		
4.056	1521	375
4.457	1560	350
5.324	1677	315
5.850	1720	294
6.400	2240	350
6.864	1716	250
7.800	1755	225
9.010	1892	210
9.856	2464	250
11.200	2520	225
12.571	2640	210
14.286	2700	189
15.400	2772	180
17.500	2835	162
20.289	3652	180
23.056	3735	162
24.933	2992	120
28.333	3060	108
32.267	3872	120
36.667	3960	108
39.160	3916	100
44.500	4005	90
49.500	3960	80
56.250	4050	72
GST 11 - 3		
40.816	162000	3969
44.000	166320	3780
50.000	170100	3402
57.968	219120	3780
61.250	178605	2916
71.011	230076	3240
80.694	235305	2916
87.267	188496	2160
99.167	192780	1944
112.933	243936	2160
129.074	250920	1944
146.993	317504	2160
158.194	205020	1296
180.156	259424	1440
207.778	269280	1296
236.622	340736	1440
252.167	272340	1080
268.889	348480	1296
326.333	352440	1080
363.000	348480	960
412.500	356400	864

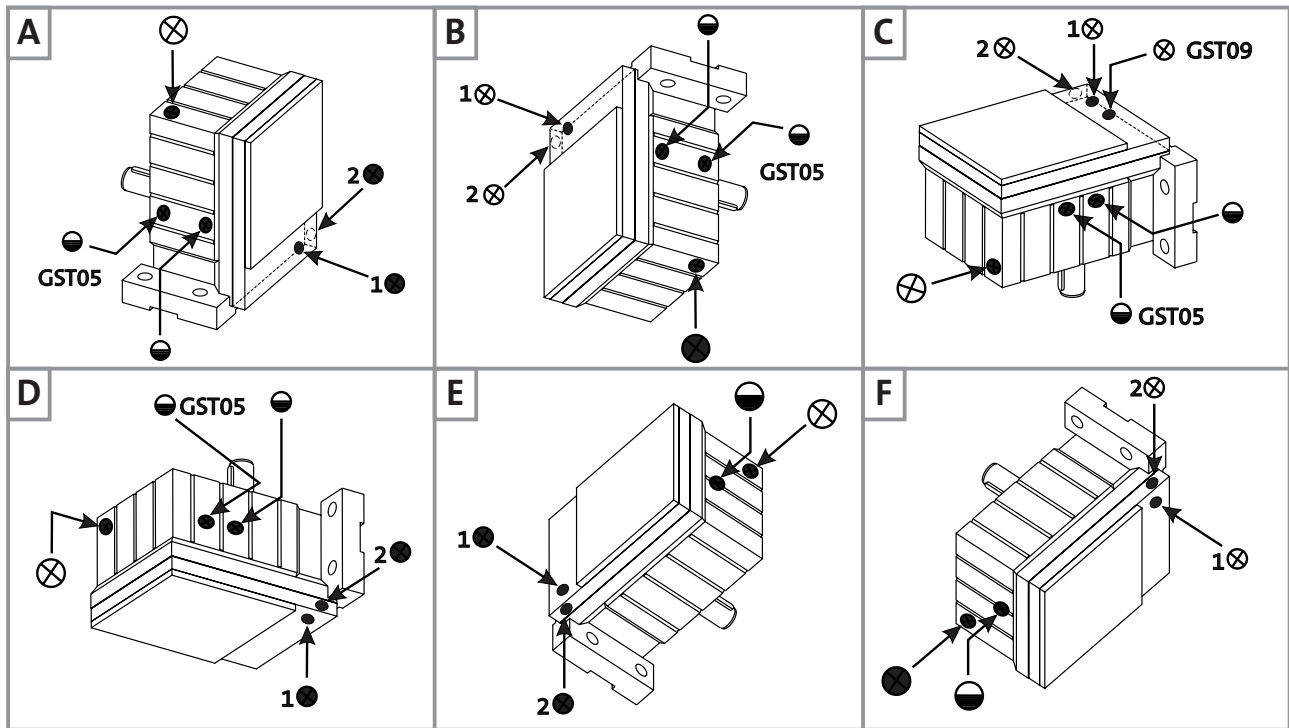


Calculation formula: $i_{exact} = \frac{\text{Numerator}}{\text{Denominator}}$

Actual ratio	Numerator	Denominator
GST 14 - 2		
4.225	1521	360
4.643	1560	336
5.200	1638	315
5.714	1680	294
6.286	2200	350
7.150	1716	240
8.027	2360	294
8.800	1848	210
9.841	2480	252
11.000	2475	225
12.362	2596	210
14.048	2655	189
15.156	2728	180
17.222	2790	162
20.044	3608	180
22.778	3690	162
24.567	2948	120
27.917	3015	108
32.267	3872	120
36.667	3960	108
39.160	3916	100
44.500	4005	90
49.500	3960	80
56.250	4050	72
GST 14 - 3		
40.185	156240	3888
42.580	160952	3780
48.386	164610	3402
53.148	206640	3888
59.321	172980	2916
69.042	223696	3240
78.457	228780	2916
93.541	303072	3240
96.157	186930	1944
106.296	309960	2916
130.278	253260	1944
139.211	200464	1440
158.194	205020	1296
171.111	332640	1944
204.722	265320	1296
236.622	340736	1440
248.458	268335	1080
268.889	348480	1296
326.333	352440	1080
363.000	348480	960
412.500	356400	864

Position of ventilation, sealing elements and oil control

GST05 ... 09-1



(A ... F) Mounting position

⊗ Ventilation/oil filler plug
● Oil drain plug

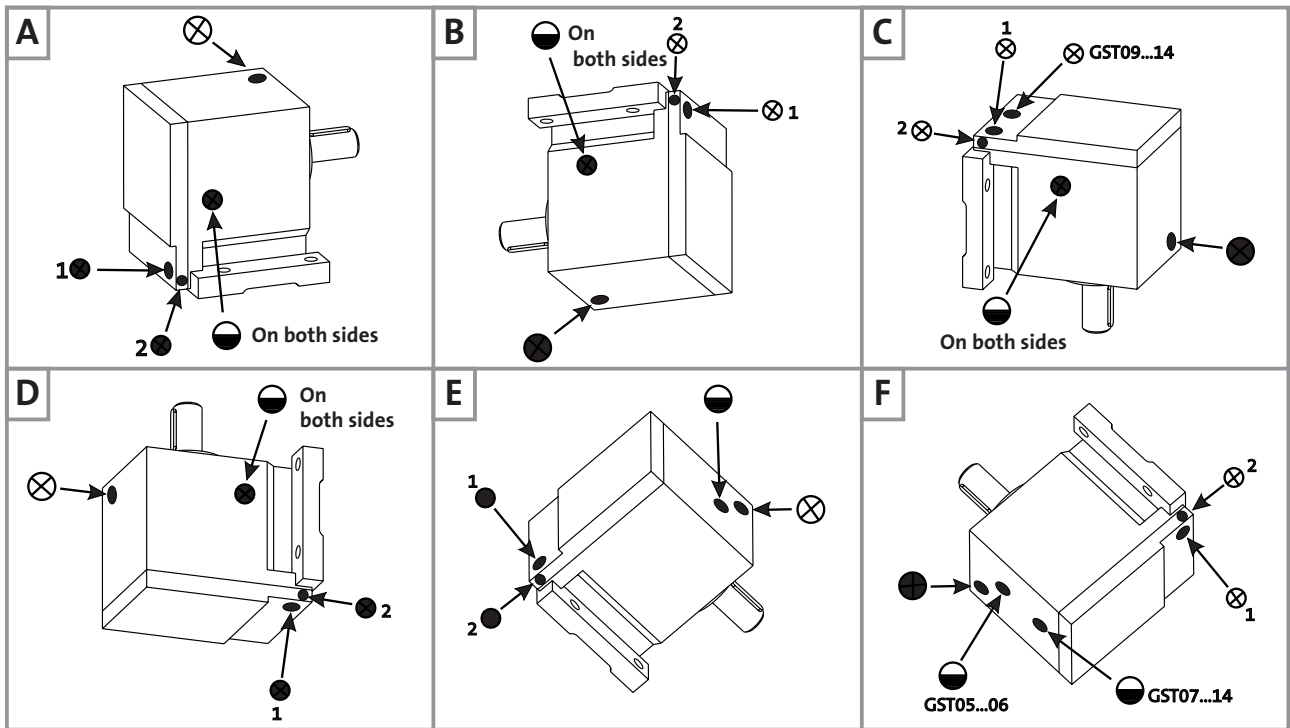
◐ Oil control plug
Oil-sight glass

Pos. 1 Standard
Pos. 2 only on GST05 - 1A 080C22

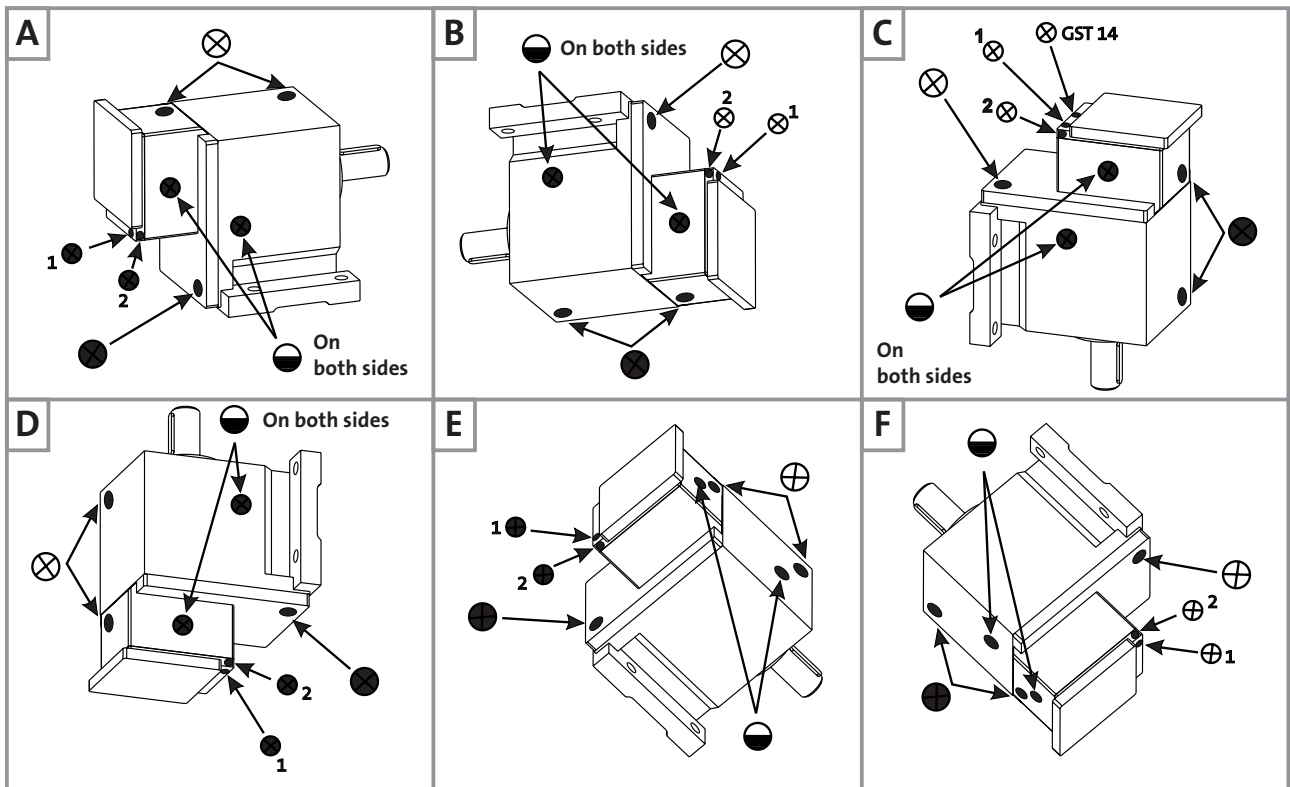


Position of ventilation, sealing elements and oil control

GST05 ... 14-2



GST05 ... 14-3



(A ... F) Mounting position

⊗ Ventilation/oil filler plug
● Oil drain plug

◐ Oil control plug
◑ Oil-sight glass

Pos. 1 Standard

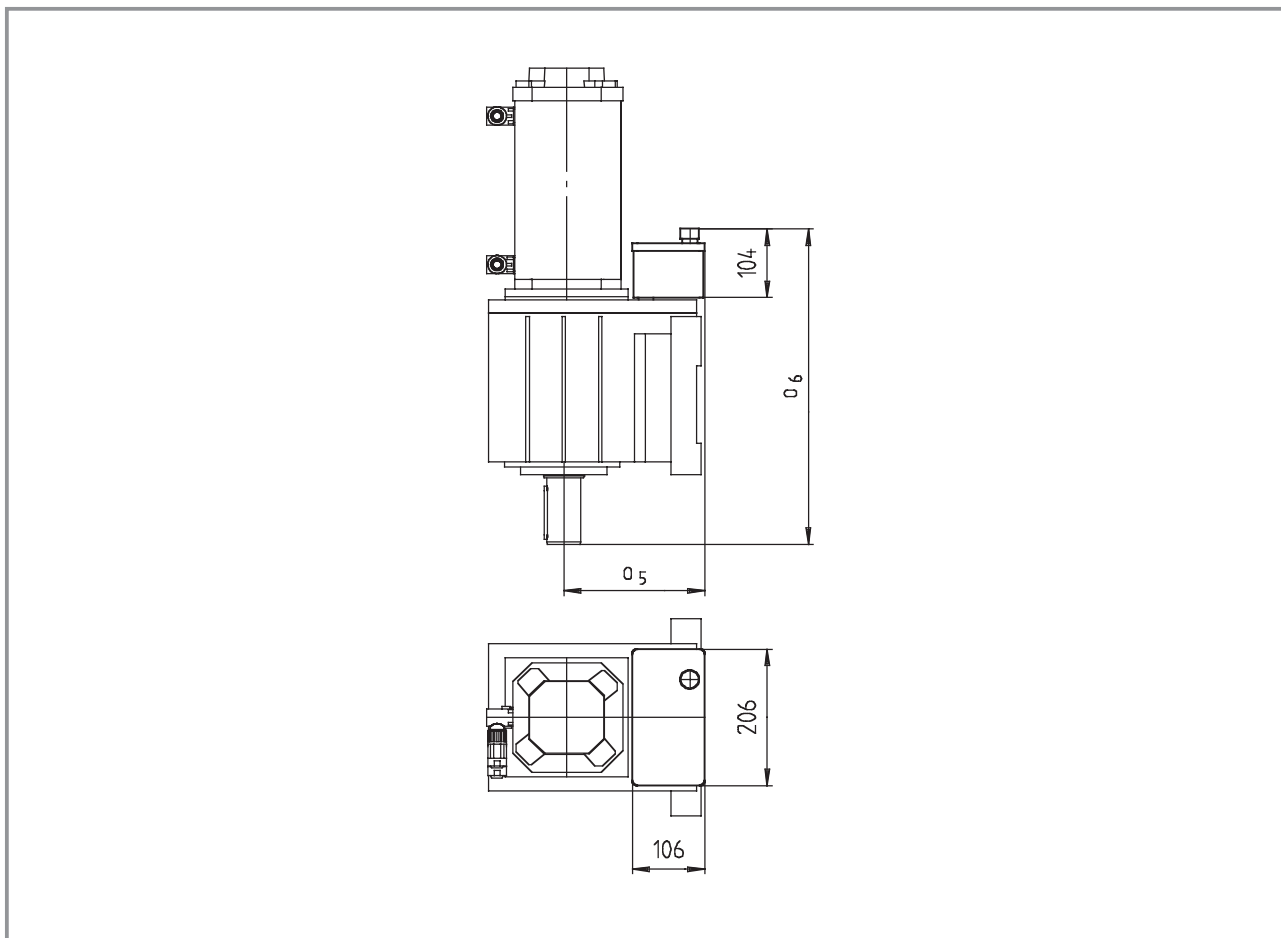
Pos. 2 only on GST05-2A □□□ 080C22
GST07-3A □□□ 080C22





Reservoir for mounting position C

Helical gearboxes GST



3

Helical gearbox GST□□ - 2A		Motor frame size		
		080C22 090C22	100C22	112C22
GST 09	o ₅	206	228	245
	o ₆	477	477	477
GST 11	o ₅	208	230	254
	o ₆	536	540	540
GST 14	o ₅		252	282
	o ₆		640	640

Connector/terminal box position 4 not permissible.
Dimensions in [mm]

Helical gearbox GST□□-1

Gearbox size	naturally ventilated										
	GST□□-1S VBR with motor frame size (synchronous)					GST□□-1A VBR with motor frame size (asynchronous)					
	056		071			056	071	080	090	100	112
	C23	C33	C03	C13	C33	C22	C22	C22	C22	C22	C22
04	9	10	13	15	17	10	15				
05	13	14	17	19	21	14	18	24	32		
06	17	18	21	23	25	18	22	29	36		
07	27	28	30	32	34	28	32	38	45	69	86
09								52	60	83	101

Gearbox size	naturally ventilated										
	GST□□-1S VCR with motor frame size (synchronous)					GST□□-1A VCR with motor frame size (asynchronous)					
	056		071			056	071	080	090	100	112
	C23	C33	C03	C13	C33	C22	C22	C22	C22	C22	C22
04	9	10	13	15	17	10	14				
05	12	13	16	18	20	13	17	23	31		
06	16	17	19	21	23	17	21	27	35		
07	24	25	27	29	31	25	29	35	42	66	83
09								48	56	78	96

Note the additional weights on page 3-22.

Weights in [kg] with oil capacity for mounting position A. All data is approximate



Helical gearbox GST□□-2

Gearbox size	naturally ventilated										
	GST□□-2S VAR/VBR with motor frame size (synchronous)					GST□□-2A VAR/VBR with motor frame size (asynchronous)					
	056		071			056	071	080	090	100	112
	C23	C33	C03	C13	C33	C22	C22	C22	C22	C22	C22
04	11	12	15	17	19	12	17				
05	17	18	20	22	24	18	22	27			
06	24	25	27	29	31	25	29	35	43		
07	39	40	43	45	47	40	44	50	58	81	98
09								77	85	107	125
11								123	131	153	170
14										245	259

Gearbox size	naturally ventilated										
	GST□□-2S VCR with motor frame size (synchronous)					GST□□-2A VCR with motor frame size (asynchronous)					
	056		071			056	071	080	090	100	112
	C23	C33	C03	C13	C33	C22	C22	C22	C22	C22	C22
04	11	12	15	17	19	12	16				
05	15	16	19	21	23	16	20	26			
06	21	22	25	27	29	22	26	32	40		
07	35	36	38	40	42	36	40	45	53	77	93
09								68	76	99	117
11								108	116	138	155
14										217	231

Note the additional weights on page 3-22.

Weights in [kg] with oil capacity for mounting position A. All data is approximate

Helical gearbox GST□□-3

Gearbox size	naturally ventilated										
	GST□□-3S VAR/VBR with motor frame size (synchronous)					GST□□-3A VAR/VBR with motor frame size (asynchronous)					
	056 C23	056 C33	071 C03	071 C13	071 C33	056 C22	071 C22	080 C22	090 C22	100 C22	112 C22
05	17	18	21	23	26	18	23				
06	27	28	31	33	36	28	33				
07	47	48	50	52	55	48	52	58			
09	79	80	82	84	86	80	84	90	98		
11	133	134	137	139	141	134	138	144	152	175	192
14								250	258	281	299

Gearbox size	naturally ventilated										
	GST□□-3S VCR with motor frame size (synchronous)					GST□□-3A VCR with motor frame size (asynchronous)					
	056 C23	056 C33	071 C03	071 C13	071 C33	056 C22	071 C22	080 C22	090 C22	100 C22	112 C22
05	16	17	20	22	24	17	21				
06	25	26	29	31	33	36	30				
07	43	44	46	48	50	44	48	53			
09	70	71	74	76	78	71	75	82	89		
11	118	119	122	124	126	119	123	129	137	160	177
14								222	230	253	271

Additional weights

At the drive end

Synchronous					Asynchronous					
056 C23	056 C33	071 C03	071 C13	071 C33	056 C22	071 C22	080 C22	090 C22	100 C22	112 C22
forced ventilated										
–	–	1.3	1.3	1.3	–	1.6	1.9	2.6	3.5	3.5
Brake										
0.9	0.9	1.4	1.4	1.4	0.9	1.4	1.5	2.4	4.8	5.0

At the non-drive end

Gearbox size VCK/VAL	Flange
04	1.0
05	1.5
06	3.0
07	4.0
09	7.0
11	10.5
14	15.5

Weights in [kg] with oil capacity for mounting position A.
All data is approximate

Selection tables - Helical gearboxes

Naturally ventilated synchronous geared servo motors



M ₂ [Nm]	n _{2 trans} [rpm]	c	i	M _{2 max} short-time on geared motor at				M _{2 Gr} gearbox c=1 n ₁ ≤1400 rpm [Nm]	n _{2 therm} [rpm]	J _{GM} referred to motor shaft [kgm ²]	Servo helical- geared motor Dimensions on Page 3-99
				8 kHz		16 kHz					
				M _{2 max} [Nm]	Type EVS	M _{2 max} [Nm]	Type EVS				
4	2375	3.2	1.6	7	9322	8	9323	19	2310	1.67E-04	GST04 - 1S □□□ 056C23 MDSKS□□ 056-23 190
6	1856	3	2.048	9	9322	11	9323	23	1856	1.59E-04	GST04 - 1S □□□ 056C23 MDSKS□□ 056-23 190
6	1696	2.9	2.24	10	9322	12	9323	25	1696	1.57E-04	GST04 - 1S □□□ 056C23 MDSKS□□ 056-23 190
8	1330	2.3	2.857	13	9322	15	9323	25	1330	1.53E-04	GST04 - 1S □□□ 056C23 MDSKS□□ 056-23 190
10	1086	1.9	3.5	16	9322	19	9323	25	1086	1.50E-04	GST04 - 1S □□□ 056C23 MDSKS□□ 056-23 190
12	864	1.5	4.4	20	9322	23	9323	25	864	1.47E-04	GST04 - 1S □□□ 056C23 MDSKS□□ 056-23 190
16	671	1.2	5.667	26	9322	30	9323	25	671	1.45E-04	GST04 - 1S □□□ 056C23 MDSKS□□ 056-23 190
7	2500	2.1	1.6	11	9323	14	9324	19	2141	2.27E-04	GST04 - 1S □□□ 056C33 MDSKS□□ 056-33 200
8	1953	1.9	2.048	14	9323	18	9324	23	1943	2.19E-04	GST04 - 1S □□□ 056C33 MDSKS□□ 056-33 200
9	1786	1.9	2.24	15	9323	20	9324	25	1786	2.17E-04	GST04 - 1S □□□ 056C33 MDSKS□□ 056-33 200
12	1400	1.5	2.857	19	9323	25	9324	25	1400	2.13E-04	GST04 - 1S □□□ 056C33 MDSKS□□ 056-33 200
14	1143	1.2	3.5	24	9323	31	9324	25	1143	2.10E-04	GST04 - 1S □□□ 056C33 MDSKS□□ 056-33 200
9	2125	1.6	1.6	13	9323	17	9324	19	1928	6.27E-04	GST04 - 1S □□□ 071C03 MDSKS□□ 071-03 170
11	1660	1.5	2.048	16	9323	21	9324	23	1660	6.19E-04	GST04 - 1S □□□ 071C03 MDSKS□□ 071-03 170
13	1518	1.5	2.24	18	9323	23	9324	25	1518	6.17E-04	GST04 - 1S □□□ 071C03 MDSKS□□ 071-03 170
16	1190	1.2	2.857	23	9323	30	9324	25	1190	6.13E-04	GST04 - 1S □□□ 071C03 MDSKS□□ 071-03 170
13	2313	1.1	1.6	20	9324	27	9325	19	1628	8.27E-04	GST04 - 1S □□□ 071C13 MDSKS□□ 071-13 180
17	1807	1	2.048	25	9324	34	9325	23	1424	8.19E-04	GST04 - 1S □□□ 071C13 MDSKS□□ 071-13 180
8	1286	3.6	2.956	13	9322	15	9323	39	1148	1.74E-04	GST04 - 2S □□□ 056C23 MDSKS□□ 056-23 190
9	1140	3.4	3.333	15	9322	17	9323	42	1008	1.72E-04	GST04 - 2S □□□ 056C23 MDSKS□□ 056-23 190
11	938	3	4.053	18	9322	21	9323	45	902	1.71E-04	GST04 - 2S □□□ 056C23 MDSKS□□ 056-23 190
12	831	2.8	4.571	21	9322	24	9323	48	792	1.70E-04	GST04 - 2S □□□ 056C23 MDSKS□□ 056-23 190
14	733	2.6	5.187	23	9322	27	9323	50	733	1.62E-04	GST04 - 2S □□□ 056C23 MDSKS□□ 056-23 190
16	650	2.5	5.85	26	9322	30	9323	53	650	1.62E-04	GST04 - 2S □□□ 056C23 MDSKS□□ 056-23 190
17	594	2.3	6.4	29	9322	33	9323	55	594	1.59E-04	GST04 - 2S □□□ 056C23 MDSKS□□ 056-23 190
19	540	2.2	7.04	32	9322	37	9323	57	490	1.66E-04	GST04 - 2S □□□ 056C23 MDSKS□□ 056-23 190
22	475	2	8	36	9322	42	9323	59	425	1.66E-04	GST04 - 2S □□□ 056C23 MDSKS□□ 056-23 190
24	422	1.9	9.01	41	9322	47	9323	63	422	1.59E-04	GST04 - 2S □□□ 056C23 MDSKS□□ 056-23 190
27	386	1.8	9.856	44	9322	51	9323	65	386	1.57E-04	GST04 - 2S □□□ 056C23 MDSKS□□ 056-23 190
30	339	1.4	11.2	50	9322	58	9323	60	319	1.57E-04	GST04 - 2S □□□ 056C23 MDSKS□□ 056-23 190
34	302	1.5	12.571	57	9322	65	9323	69	302	1.53E-04	GST04 - 2S □□□ 056C23 MDSKS□□ 056-23 190
39	266	1.1	14.286	64	9322	74	9323	61	262	1.52E-04	GST04 - 2S □□□ 056C23 MDSKS□□ 056-23 190
42	247	1.4	15.4	69	9322	80	9323	70	247	1.50E-04	GST04 - 2S □□□ 056C23 MDSKS□□ 056-23 190
48	217	1.1	17.5	79	9322	91	9323	62	217	1.50E-04	GST04 - 2S □□□ 056C23 MDSKS□□ 056-23 190

Observe the notes for thermal dimensioning.

Selection tables - Helical gearboxes

Naturally ventilated synchronous geared servo motors

M ₂ [Nm]	n ₂ trans [rpm]	c	i	M ₂ max short-time on geared motor at				M ₂ Gr gearbox c=1 n ₁ ≤ 1400 rpm [Nm]	n ₂ therm [rpm]	J _{GM} referred to motor shaft [kgm ²]	Servo helical- geared motor Dimensions on Page 3-99
				8 kHz		16 kHz					
				M ₂ max [Nm]	Type EVS	M ₂ max [Nm]	Type EVS				
53	196	1.1	19.36	87	9322	101	9323	70	196	1.46E-04	GST04 - 2S □□□ 056C23 MDSKS□□ 056-23 190
12	1353	2.3	2.956	20	9323	26	9324	39	1057	2.34E-04	GST04 - 2S □□□ 056C33 MDSKS□□ 056-33 200
13	1200	2.2	3.333	22	9323	29	9324	42	926	2.32E-04	GST04 - 2S □□□ 056C33 MDSKS□□ 056-33 200
16	987	2	4.053	27	9323	35	9324	45	835	2.31E-04	GST04 - 2S □□□ 056C33 MDSKS□□ 056-33 200
18	875	1.9	4.571	31	9323	40	9324	48	720	2.30E-04	GST04 - 2S □□□ 056C33 MDSKS□□ 056-33 200
21	771	1.7	5.187	35	9323	45	9324	50	716	2.22E-04	GST04 - 2S □□□ 056C33 MDSKS□□ 056-33 200
24	684	1.6	5.85	39	9323	51	9324	53	616	2.22E-04	GST04 - 2S □□□ 056C33 MDSKS□□ 056-33 200
26	625	1.5	6.4	43	9323	56	9324	55	572	2.19E-04	GST04 - 2S □□□ 056C33 MDSKS□□ 056-33 200
29	568	1.4	7.04	47	9323	61	9324	57	413	2.26E-04	GST04 - 2S □□□ 056C33 MDSKS□□ 056-33 200
32	500	1.3	8	53	9323	70	9324	59	349	2.26E-04	GST04 - 2S □□□ 056C33 MDSKS□□ 056-33 200
37	444	1.2	9.01	60	9323	78	9324	63	352	2.19E-04	GST04 - 2S □□□ 056C33 MDSKS□□ 056-33 200
40	406	1.2	9.856	66	9323	86	9324	65	330	2.17E-04	GST04 - 2S □□□ 056C33 MDSKS□□ 056-33 200
16	1150	1.8	2.956	23	9323	30	9324	39	976	6.34E-04	GST04 - 2S □□□ 071C03 MDSKS□□ 071-03 170
18	1020	1.7	3.333	26	9323	34	9324	42	839	6.32E-04	GST04 - 2S □□□ 071C03 MDSKS□□ 071-03 170
22	839	1.5	4.053	32	9323	42	9324	45	739	6.31E-04	GST04 - 2S □□□ 071C03 MDSKS□□ 071-03 170
25	744	1.4	4.571	36	9323	47	9324	48	639	6.30E-04	GST04 - 2S □□□ 071C03 MDSKS□□ 071-03 170
29	655	1.3	5.187	40	9323	53	9324	50	632	6.22E-04	GST04 - 2S □□□ 071C03 MDSKS□□ 071-03 170
32	581	1.3	5.85	46	9323	60	9324	53	546	6.22E-04	GST04 - 2S □□□ 071C03 MDSKS□□ 071-03 170
35	531	1.2	6.4	50	9323	66	9324	55	512	6.19E-04	GST04 - 2S □□□ 071C03 MDSKS□□ 071-03 170
39	483	1.1	7.04	55	9323	72	9324	57	373	6.26E-04	GST04 - 2S □□□ 071C03 MDSKS□□ 071-03 170
44	425	1	8	62	9323	82	9324	59	317	6.26E-04	GST04 - 2S □□□ 071C03 MDSKS□□ 071-03 170
24	1252	1.2	2.956	36	9324	49	9325	39	794	8.34E-04	GST04 - 2S □□□ 071C13 MDSKS□□ 071-13 180
27	1110	1.2	3.333	40	9324	56	9325	42	686	8.32E-04	GST04 - 2S □□□ 071C13 MDSKS□□ 071-13 180
33	913	1	4.053	49	9324	68	9325	45	628	8.31E-04	GST04 - 2S □□□ 071C13 MDSKS□□ 071-13 180
5	1856	5.5	2.048	9	9322	11	9323	42	1856	1.95E-04	GST05 - 1S □□□ 056C23 MDSKS□□ 056-23 190
6	1696	5.5	2.24	10	9322	12	9323	47	1696	1.88E-04	GST05 - 1S □□□ 056C23 MDSKS□□ 056-23 190
8	1330	4.9	2.857	13	9322	15	9323	53	1330	1.75E-04	GST05 - 1S □□□ 056C23 MDSKS□□ 056-23 190
9	1086	4.1	3.5	16	9322	19	9323	54	1086	1.67E-04	GST05 - 1S □□□ 056C23 MDSKS□□ 056-23 190
12	834	3.2	4.556	21	9322	24	9323	54	834	1.58E-04	GST05 - 1S □□□ 056C23 MDSKS□□ 056-23 190
15	671	2.5	5.667	26	9322	30	9323	54	671	1.53E-04	GST05 - 1S □□□ 056C23 MDSKS□□ 056-23 190
20	518	1.7	7.333	33	9322	39	9323	47	518	1.46E-04	GST05 - 1S □□□ 056C23 MDSKS□□ 056-23 190
24	427	1.3	8.9	41	9322	47	9323	42	427	1.46E-04	GST05 - 1S □□□ 056C23 MDSKS□□ 056-23 190
8	1953	3.6	2.048	14	9323	18	9324	42	1775	2.55E-04	GST05 - 1S □□□ 056C33 MDSKS□□ 056-33 200
9	1786	3.6	2.24	15	9323	20	9324	47	1684	2.48E-04	GST05 - 1S □□□ 056C33 MDSKS□□ 056-33 200

Observe the notes for thermal dimensioning.

Selection tables - Helical gearboxes

Naturally ventilated synchronous geared servo motors



M ₂ [Nm]	n ₂ trans [rpm]	c	i	M ₂ max short-time on geared motor at				M ₂ Gr gearbox c=1 n ₁ ≤ 1400 rpm [Nm]	n ₂ therm [rpm]	J _{GM} referred to motor shaft [kgm ²]	Servo helical- geared motor Dimensions on Page 3-99
				8 kHz		16 kHz					
				M ₂ max [Nm]	Type EVS	M ₂ max [Nm]	Type EVS				
12	1400	3.2	2.857	19	9323	25	9324	53	1400	2.35E-04	GST05 - 1S □□□ 056C33 MDSKS□□ 056-33 200
14	1143	2.7	3.5	24	9323	31	9324	54	1143	2.27E-04	GST05 - 1S □□□ 056C33 MDSKS□□ 056-33 200
19	878	2.1	4.556	31	9323	40	9324	54	878	2.18E-04	GST05 - 1S □□□ 056C33 MDSKS□□ 056-33 200
23	706	1.7	5.667	38	9323	50	9324	54	706	2.13E-04	GST05 - 1S □□□ 056C33 MDSKS□□ 056-33 200
30	545	1.1	7.333	50	9323	65	9324	47	545	2.06E-04	GST05 - 1S □□□ 056C33 MDSKS□□ 056-33 200
9	2125	3.8	1.6	13	9323	17	9324	45	2097	6.76E-04	GST05 - 1S □□□ 071C03 MDSKS□□ 071-03 170
11	1660	3.5	2.048	16	9323	21	9324	53	1660	6.55E-04	GST05 - 1S □□□ 071C03 MDSKS□□ 071-03 170
12	1518	3.2	2.24	18	9323	23	9324	53	1518	6.48E-04	GST05 - 1S □□□ 071C03 MDSKS□□ 071-03 170
16	1190	2.5	2.857	23	9323	30	9324	53	1190	6.35E-04	GST05 - 1S □□□ 071C03 MDSKS□□ 071-03 170
19	971	2.1	3.5	28	9323	37	9324	54	971	6.27E-04	GST05 - 1S □□□ 071C03 MDSKS□□ 071-03 170
25	746	1.6	4.556	36	9323	48	9324	54	746	6.18E-04	GST05 - 1S □□□ 071C03 MDSKS□□ 071-03 170
32	600	1.3	5.667	45	9323	59	9324	54	600	6.13E-04	GST05 - 1S □□□ 071C03 MDSKS□□ 071-03 170
13	2313	2.5	1.6	20	9324	27	9325	45	1935	8.76E-04	GST05 - 1S □□□ 071C13 MDSKS□□ 071-13 180
17	1807	2.3	2.048	25	9324	35	9325	53	1638	8.55E-04	GST05 - 1S □□□ 071C13 MDSKS□□ 071-13 180
18	1652	2.1	2.24	28	9324	38	9325	53	1533	8.48E-04	GST05 - 1S □□□ 071C13 MDSKS□□ 071-13 180
23	1295	1.7	2.857	35	9324	48	9325	53	1295	8.35E-04	GST05 - 1S □□□ 071C13 MDSKS□□ 071-13 180
28	1057	1.4	3.5	43	9324	59	9325	54	1057	8.27E-04	GST05 - 1S □□□ 071C13 MDSKS□□ 071-13 180
37	812	1.1	4.556	56	9324	77	9325	54	812	8.18E-04	GST05 - 1S □□□ 071C13 MDSKS□□ 071-13 180
19	2250	1.7	1.6	38	9325	28	9325	45	1699	1.08E-03	GST05 - 1S □□□ 071C33 MDSKS□□ 071-33 180
25	1758	1.6	2.048	48	9325	36	9325	53	1419	1.05E-03	GST05 - 1S □□□ 071C33 MDSKS□□ 071-33 180
27	1607	1.5	2.24	53	9325	40	9325	53	1307	1.05E-03	GST05 - 1S □□□ 071C33 MDSKS□□ 071-33 180
35	1260	1.1	2.857	68	9325	51	9325	53	1086	1.04E-03	GST05 - 1S □□□ 071C33 MDSKS□□ 071-33 180
14	733	4.7	5.187	23	9322	27	9323	90	733	2.04E-04	GST05 - 2S □□□ 056C23 MDSKS□□ 056-23 190
15	650	4.7	5.85	26	9322	30	9323	101	650	2.01E-04	GST05 - 2S □□□ 056C23 MDSKS□□ 056-23 190
17	594	4.4	6.4	29	9322	33	9323	105	594	1.93E-04	GST05 - 2S □□□ 056C23 MDSKS□□ 056-23 190
19	525	4	7.238	33	9322	38	9323	108	525	1.80E-04	GST05 - 2S □□□ 056C23 MDSKS□□ 056-23 190
22	466	3.8	8.163	37	9322	43	9323	115	466	1.79E-04	GST05 - 2S □□□ 056C23 MDSKS□□ 056-23 190
24	422	3.6	9.01	41	9322	47	9323	119	403	1.94E-04	GST05 - 2S □□□ 056C23 MDSKS□□ 056-23 190
27	380	3.4	10	45	9322	52	9323	124	380	1.70E-04	GST05 - 2S □□□ 056C23 MDSKS□□ 056-23 190
30	339	3.1	11.2	50	9322	58	9323	128	327	1.86E-04	GST05 - 2S □□□ 056C23 MDSKS□□ 056-23 190
35	292	2.8	13.016	59	9322	68	9323	137	292	1.58E-04	GST05 - 2S □□□ 056C23 MDSKS□□ 056-23 190
38	265	2.6	14.356	65	9322	75	9323	140	265	1.53E-04	GST05 - 2S □□□ 056C23 MDSKS□□ 056-23 190
43	235	2.8	16.19	73	9322	84	9323	148	235	1.53E-04	GST05 - 2S □□□ 056C23 MDSKS□□ 056-23 190
47	217	2.5	17.5	79	9322	91	9323	142	217	1.67E-04	GST05 - 2S □□□ 056C23 MDSKS□□ 056-23 190

Observe the notes for thermal dimensioning.

Selection tables - Helical gearboxes

Naturally ventilated synchronous geared servo motors

M ₂ [Nm]	n ₂ trans [rpm]	c	i	M ₂ max short-time on geared motor at				M ₂ Gr gearbox c=1 n ₁ ≤ 1400 rpm [Nm]	n ₂ therm [rpm]	J _{GM} referred to motor shaft [kgm ²]	Servo helical- geared motor Dimensions on Page 3-99
				8 kHz		16 kHz					
				M ₂ max [Nm]	Type EVS	M ₂ max [Nm]	Type EVS				
54	190	2.4	20.044	90	9322	104	9323	159	190	1.56E-04	GST05 - 2S □□□ 056C23 MDSKS□□ 056-23 190
61	167	1.9	22.778	102	9322	119	9323	144	167	1.56E-04	GST05 - 2S □□□ 056C23 MDSKS□□ 056-23 190
67	152	2	24.933	112	9322	130	9323	162	152	1.52E-04	GST05 - 2S □□□ 056C23 MDSKS□□ 056-23 190
77	134	1.6	28.333	127	9322	147	9323	147	134	1.52E-04	GST05 - 2S □□□ 056C23 MDSKS□□ 056-23 190
87	118	1.6	32.267	145	9322	168	9323	164	118	1.48E-04	GST05 - 2S □□□ 056C23 MDSKS□□ 056-23 190
99	104	1.2	36.667	165	9322	191	9323	148	104	1.48E-04	GST05 - 2S □□□ 056C23 MDSKS□□ 056-23 190
106	97	1.3	39.16	176	9322	204	9323	165	97	1.46E-04	GST05 - 2S □□□ 056C23 MDSKS□□ 056-23 190
121	85	1.1	44.5	200	9322	224	9323	149	85	1.46E-04	GST05 - 2S □□□ 056C23 MDSKS□□ 056-23 190
21	771	3.1	5.187	35	9323	45	9324	90	681	2.64E-04	GST05 - 2S □□□ 056C33 MDSKS□□ 056-33 200
23	684	3.1	5.85	39	9323	51	9324	101	604	2.61E-04	GST05 - 2S □□□ 056C33 MDSKS□□ 056-33 200
26	625	2.9	6.4	43	9323	56	9324	105	567	2.53E-04	GST05 - 2S □□□ 056C33 MDSKS□□ 056-33 200
29	553	2.6	7.238	48	9323	63	9324	108	553	2.40E-04	GST05 - 2S □□□ 056C33 MDSKS□□ 056-33 200
33	490	2.5	8.163	55	9323	71	9324	115	490	2.39E-04	GST05 - 2S □□□ 056C33 MDSKS□□ 056-33 200
36	444	2.3	9.01	60	9323	78	9324	119	373	2.54E-04	GST05 - 2S □□□ 056C33 MDSKS□□ 056-33 200
40	400	2.2	10	67	9323	87	9324	124	400	2.30E-04	GST05 - 2S □□□ 056C33 MDSKS□□ 056-33 200
45	357	2	11.2	75	9323	97	9324	128	303	2.46E-04	GST05 - 2S □□□ 056C33 MDSKS□□ 056-33 200
53	307	1.9	13.016	87	9323	113	9324	137	307	2.18E-04	GST05 - 2S □□□ 056C33 MDSKS□□ 056-33 200
58	279	1.7	14.356	96	9323	125	9324	140	279	2.13E-04	GST05 - 2S □□□ 056C33 MDSKS□□ 056-33 200
65	247	1.8	16.19	108	9323	141	9324	148	247	2.13E-04	GST05 - 2S □□□ 056C33 MDSKS□□ 056-33 200
71	229	1.6	17.5	117	9323	152	9324	142	229	2.27E-04	GST05 - 2S □□□ 056C33 MDSKS□□ 056-33 200
81	200	1.6	20.044	134	9323	174	9324	159	200	2.16E-04	GST05 - 2S □□□ 056C33 MDSKS□□ 056-33 200
93	176	1.3	22.778	152	9323	198	9324	144	176	2.16E-04	GST05 - 2S □□□ 056C33 MDSKS□□ 056-33 200
101	160	1.3	24.933	166	9323	217	9324	162	160	2.12E-04	GST05 - 2S □□□ 056C33 MDSKS□□ 056-33 200
115	141	1	28.333	189	9323	221	9324	147	141	2.12E-04	GST05 - 2S □□□ 056C33 MDSKS□□ 056-33 200
131	124	1	32.267	215	9323	246	9324	164	124	2.08E-04	GST05 - 2S □□□ 056C33 MDSKS□□ 056-33 200
16	1150	2.9	2.956	23	9323	30	9324	63	918	6.99E-04	GST05 - 2S □□□ 071C03 MDSKS□□ 071-03 170
18	1020	3.2	3.333	26	9323	34	9324	78	830	6.94E-04	GST05 - 2S □□□ 071C03 MDSKS□□ 071-03 170
22	839	2.8	4.053	32	9323	42	9324	81	778	6.90E-04	GST05 - 2S □□□ 071C03 MDSKS□□ 071-03 170
25	744	2.8	4.571	36	9323	47	9324	91	689	6.86E-04	GST05 - 2S □□□ 071C03 MDSKS□□ 071-03 170
28	655	2.4	5.187	40	9323	53	9324	90	650	6.64E-04	GST05 - 2S □□□ 071C03 MDSKS□□ 071-03 170
32	581	2.4	5.85	46	9323	60	9324	101	576	6.61E-04	GST05 - 2S □□□ 071C03 MDSKS□□ 071-03 170
35	531	2.3	6.4	50	9323	66	9324	105	531	6.53E-04	GST05 - 2S □□□ 071C03 MDSKS□□ 071-03 170
40	470	2.1	7.238	56	9323	74	9324	108	470	6.40E-04	GST05 - 2S □□□ 071C03 MDSKS□□ 071-03 170
45	417	1.9	8.163	63	9323	84	9324	115	417	6.39E-04	GST05 - 2S □□□ 071C03 MDSKS□□ 071-03 170

Observe the notes for thermal dimensioning.

Selection tables - Helical gearboxes

Naturally ventilated synchronous geared servo motors



M ₂ [Nm]	n ₂ trans [rpm]	c	i	M ₂ max short-time on geared motor at				M ₂ Gr gearbox c=1 n ₁ ≤ 1400 rpm [Nm]	n ₂ therm [rpm]	J _{GM} referred to motor shaft [kgm ²]	Servo helical- geared motor Dimensions on Page 3-99
				8 kHz		16 kHz					
				M ₂ max [Nm]	Type EVS	M ₂ max [Nm]	Type EVS				
49	377	1.8	9.01	70	9323	93	9324	119	346	6.54E-04	GST05 - 2S □□□ 071C03 MDSKS□□ 071-03 170
55	340	1.7	10	78	9323	103	9324	124	340	6.30E-04	GST05 - 2S □□□ 071C03 MDSKS□□ 071-03 170
62	304	1.6	11.2	87	9323	115	9324	128	270	6.46E-04	GST05 - 2S □□□ 071C03 MDSKS□□ 071-03 170
72	261	1.5	13.016	101	9323	134	9324	137	261	6.18E-04	GST05 - 2S □□□ 071C03 MDSKS□□ 071-03 170
79	237	1.3	14.356	112	9323	148	9324	140	237	6.13E-04	GST05 - 2S □□□ 071C03 MDSKS□□ 071-03 170
89	210	1.4	16.19	126	9323	166	9324	148	210	6.13E-04	GST05 - 2S □□□ 071C03 MDSKS□□ 071-03 170
97	194	1.3	17.5	136	9323	180	9324	142	194	6.27E-04	GST05 - 2S □□□ 071C03 MDSKS□□ 071-03 170
111	170	1.2	20.044	156	9323	206	9324	159	170	6.16E-04	GST05 - 2S □□□ 071C03 MDSKS□□ 071-03 170
138	136	1	24.933	194	9323	243	9324	162	136	6.12E-04	GST05 - 2S □□□ 071C03 MDSKS□□ 071-03 170
24	1252	2	2.956	36	9324	49	9325	63	840	8.99E-04	GST05 - 2S □□□ 071C13 MDSKS□□ 071-13 180
27	1110	2.2	3.333	40	9324	56	9325	78	761	8.94E-04	GST05 - 2S □□□ 071C13 MDSKS□□ 071-13 180
32	913	1.8	4.053	49	9324	68	9325	81	697	8.90E-04	GST05 - 2S □□□ 071C13 MDSKS□□ 071-13 180
36	809	1.8	4.571	55	9324	76	9325	91	617	8.86E-04	GST05 - 2S □□□ 071C13 MDSKS□□ 071-13 180
42	713	1.6	5.187	63	9324	86	9325	90	562	8.64E-04	GST05 - 2S □□□ 071C13 MDSKS□□ 071-13 180
47	632	1.6	5.85	71	9324	98	9325	101	498	8.61E-04	GST05 - 2S □□□ 071C13 MDSKS□□ 071-13 180
51	578	1.5	6.4	77	9324	107	9325	105	464	8.53E-04	GST05 - 2S □□□ 071C13 MDSKS□□ 071-13 180
58	511	1.4	7.238	87	9324	121	9325	108	465	8.40E-04	GST05 - 2S □□□ 071C13 MDSKS□□ 071-13 180
66	453	1.3	8.163	99	9324	136	9325	115	401	8.39E-04	GST05 - 2S □□□ 071C13 MDSKS□□ 071-13 180
72	411	1.2	9.01	109	9324	150	9325	119	286	8.54E-04	GST05 - 2S □□□ 071C13 MDSKS□□ 071-13 180
80	370	1.1	10	121	9324	167	9325	124	353	8.30E-04	GST05 - 2S □□□ 071C13 MDSKS□□ 071-13 180
90	330	1	11.2	135	9324	187	9325	128	229	8.46E-04	GST05 - 2S □□□ 071C13 MDSKS□□ 071-13 180
35	1218	1.3	2.956	69	9325	52	9325	63	683	1.10E-03	GST05 - 2S □□□ 071C33 MDSKS□□ 071-33 180
40	1080	1.5	3.333	78	9325	58	9325	78	634	1.09E-03	GST05 - 2S □□□ 071C33 MDSKS□□ 071-33 180
48	888	1.3	4.053	94	9325	71	9325	81	568	1.09E-03	GST05 - 2S □□□ 071C33 MDSKS□□ 071-33 180
54	788	1.3	4.571	106	9325	80	9325	91	503	1.09E-03	GST05 - 2S □□□ 071C33 MDSKS□□ 071-33 180
62	694	1.1	5.187	121	9325	90	9325	90	475	1.06E-03	GST05 - 2S □□□ 071C33 MDSKS□□ 071-33 180
70	615	1.1	5.85	136	9325	102	9325	101	421	1.06E-03	GST05 - 2S □□□ 071C33 MDSKS□□ 071-33 180
76	563	1	6.4	149	9325	112	9325	105	397	1.05E-03	GST05 - 2S □□□ 071C33 MDSKS□□ 071-33 180
97	105	1.2	36.267	161	9322	186	9323	134	105	1.59E-04	GST05 - 3S □□□ 056C23 MDSKS□□ 056-23 190
124	82	1.1	46.259	205	9322	218	9323	145	82	1.54E-04	GST05 - 3S □□□ 056C23 MDSKS□□ 056-23 190
8	1330	5.5	2.857	13	9322	15	9323	59	1330	2.37E-04	GST06 - 1S □□□ 056C23 MDSKS□□ 056-23 190
12	834	4.6	4.556	21	9322	24	9323	79	834	1.88E-04	GST06 - 1S □□□ 056C23 MDSKS□□ 056-23 190
15	671	3.9	5.667	26	9322	30	9323	82	671	1.76E-04	GST06 - 1S □□□ 056C23 MDSKS□□ 056-23 190
20	518	3.5	7.333	33	9322	39	9323	95	518	1.63E-04	GST06 - 1S □□□ 056C23 MDSKS□□ 056-23 190

Observe the notes for thermal dimensioning.

Selection tables - Helical gearboxes

Naturally ventilated synchronous geared servo motors

M ₂ [Nm]	n ₂ trans [rpm]	c	i	M ₂ max short-time on geared motor at				M ₂ Gr gearbox c=1 n ₁ ≤ 1400 rpm [Nm]	n ₂ therm [rpm]	J _{GM} referred to motor shaft [kgm ²]	Servo helical- geared motor Dimensions on Page 3-99
				8 kHz		16 kHz					
				M ₂ max [Nm]	Type EVS	M ₂ max [Nm]	Type EVS				
24	427	2.5	8.9	41	9322	47	9323	85	427	1.57E-04	GST06 - 1S □□□ 056C23 MDSKS□□ 056-23 190
31	338	1.5	11.25	51	9322	59	9323	63	338	1.51E-04	GST06 - 1S □□□ 056C23 MDSKS□□ 056-23 190
12	1400	3.6	2.857	19	9323	25	9324	59	1285	2.97E-04	GST06 - 1S □□□ 056C33 MDSKS□□ 056-33 200
18	878	3	4.556	31	9323	40	9324	79	878	2.48E-04	GST06 - 1S □□□ 056C33 MDSKS□□ 056-33 200
23	706	2.5	5.667	38	9323	50	9324	82	706	2.36E-04	GST06 - 1S □□□ 056C33 MDSKS□□ 056-33 200
30	545	2.3	7.333	50	9323	65	9324	95	545	2.23E-04	GST06 - 1S □□□ 056C33 MDSKS□□ 056-33 200
37	449	1.7	8.9	60	9323	79	9324	85	449	2.17E-04	GST06 - 1S □□□ 056C33 MDSKS□□ 056-33 200
11	1660	4.8	2.048	16	9323	21	9324	72	1660	7.46E-04	GST06 - 1S □□□ 071C03 MDSKS□□ 071-03 170
12	1518	4.8	2.24	18	9323	23	9324	79	1518	7.27E-04	GST06 - 1S □□□ 071C03 MDSKS□□ 071-03 170
15	1190	4.4	2.857	23	9323	30	9324	92	1190	6.97E-04	GST06 - 1S □□□ 071C03 MDSKS□□ 071-03 170
19	971	4.1	3.5	28	9323	37	9324	105	971	6.74E-04	GST06 - 1S □□□ 071C03 MDSKS□□ 071-03 170
25	746	3.1	4.556	36	9323	48	9324	105	746	6.48E-04	GST06 - 1S □□□ 071C03 MDSKS□□ 071-03 170
31	600	2.5	5.667	45	9323	59	9324	105	600	6.36E-04	GST06 - 1S □□□ 071C03 MDSKS□□ 071-03 170
41	464	1.9	7.333	58	9323	77	9324	100	464	6.23E-04	GST06 - 1S □□□ 071C03 MDSKS□□ 071-03 170
50	382	1.3	8.9	70	9323	93	9324	85	382	6.17E-04	GST06 - 1S □□□ 071C03 MDSKS□□ 071-03 170
16	1807	3.2	2.048	25	9324	35	9325	72	1534	9.46E-04	GST06 - 1S □□□ 071C13 MDSKS□□ 071-13 180
18	1652	3.2	2.24	28	9324	38	9325	79	1448	9.27E-04	GST06 - 1S □□□ 071C13 MDSKS□□ 071-13 180
23	1295	2.9	2.857	35	9324	48	9325	92	1238	8.97E-04	GST06 - 1S □□□ 071C13 MDSKS□□ 071-13 180
28	1057	2.7	3.5	43	9324	59	9325	105	1057	8.74E-04	GST06 - 1S □□□ 071C13 MDSKS□□ 071-13 180
37	812	2.1	4.556	56	9324	77	9325	105	812	8.48E-04	GST06 - 1S □□□ 071C13 MDSKS□□ 071-13 180
46	653	1.7	5.667	70	9324	96	9325	105	653	8.36E-04	GST06 - 1S □□□ 071C13 MDSKS□□ 071-13 180
60	505	1.2	7.333	90	9324	124	9325	100	505	8.23E-04	GST06 - 1S □□□ 071C13 MDSKS□□ 071-13 180
25	1758	2.2	2.048	48	9325	36	9325	72	1414	1.15E-03	GST06 - 1S □□□ 071C33 MDSKS□□ 071-33 180
27	1607	2.2	2.24	53	9325	40	9325	79	1338	1.13E-03	GST06 - 1S □□□ 071C33 MDSKS□□ 071-33 180
34	1260	2	2.857	68	9325	51	9325	92	1158	1.10E-03	GST06 - 1S □□□ 071C33 MDSKS□□ 071-33 180
42	1029	1.8	3.5	83	9325	62	9325	105	1029	1.07E-03	GST06 - 1S □□□ 071C33 MDSKS□□ 071-33 180
55	790	1.4	4.556	108	9325	81	9325	105	790	1.05E-03	GST06 - 1S □□□ 071C33 MDSKS□□ 071-33 180
69	635	1.1	5.667	134	9325	100	9325	105	635	1.04E-03	GST06 - 1S □□□ 071C33 MDSKS□□ 071-33 180
21	466	5.5	8.163	37	9322	43	9323	167	466	2.46E-04	GST06 - 2S □□□ 056C23 MDSKS□□ 056-23 190
33	302	5.5	12.571	57	9322	65	9323	256	302	2.36E-04	GST06 - 2S □□□ 056C23 MDSKS□□ 056-23 190
37	266	5.5	14.286	64	9322	74	9323	291	266	2.33E-04	GST06 - 2S □□□ 056C23 MDSKS□□ 056-23 190
52	190	5.2	20.044	90	9322	104	9323	340	190	1.86E-04	GST06 - 2S □□□ 056C23 MDSKS□□ 056-23 190
60	167	4.2	22.778	102	9322	119	9323	315	167	1.85E-04	GST06 - 2S □□□ 056C23 MDSKS□□ 056-23 190
65	152	4.4	24.933	112	9322	130	9323	357	152	1.73E-04	GST06 - 2S □□□ 056C23 MDSKS□□ 056-23 190

Observe the notes for thermal dimensioning.

Selection tables - Helical gearboxes

Naturally ventilated synchronous geared servo motors



M ₂ [Nm]	n _{2 trans} [rpm]	c	i	M _{2 max} short-time on geared motor at				M _{2 Gr} gearbox c=1 n ₁ ≤ 1400 rpm [Nm]	n _{2 therm} [rpm]	J _{GM} referred to motor shaft [kgm ²]	Servo helical-geared motor Dimensions on Page 3-99
				8 kHz		16 kHz					
				M _{2 max} [Nm]	Type EVS	M _{2 max} [Nm]	Type EVS				
75	134	3.4	28.333	127	9322	147	9323	317	134	1.73E-04	GST06 - 2S □□□ 056C23 MDSKS□□ 056-23 190
85	118	3.5	32.267	145	9322	168	9323	363	118	1.62E-04	GST06 - 2S □□□ 056C23 MDSKS□□ 056-23 190
98	104	2.7	36.667	165	9322	191	9323	322	104	1.62E-04	GST06 - 2S □□□ 056C23 MDSKS□□ 056-23 190
104	97	2.9	39.16	176	9322	204	9323	368	97	1.56E-04	GST06 - 2S □□□ 056C23 MDSKS□□ 056-23 190
119	85	2.5	44.5	200	9322	231	9323	325	85	1.56E-04	GST06 - 2S □□□ 056C23 MDSKS□□ 056-23 190
133	77	1.9	49.5	222	9322	257	9323	278	77	1.51E-04	GST06 - 2S □□□ 056C23 MDSKS□□ 056-23 190
151	68	1.9	56.25	253	9322	293	9323	316	68	1.51E-04	GST06 - 2S □□□ 056C23 MDSKS□□ 056-23 190
32	490	3.6	8.163	55	9323	71	9324	167	450	3.06E-04	GST06 - 2S □□□ 056C33 MDSKS□□ 056-33 200
50	318	3.6	12.571	84	9323	109	9324	256	292	2.96E-04	GST06 - 2S □□□ 056C33 MDSKS□□ 056-33 200
57	280	3.6	14.286	95	9323	124	9324	291	257	2.93E-04	GST06 - 2S □□□ 056C33 MDSKS□□ 056-33 200
80	200	3.4	20.044	134	9323	174	9324	340	200	2.46E-04	GST06 - 2S □□□ 056C33 MDSKS□□ 056-33 200
91	176	2.8	22.778	152	9323	198	9324	315	176	2.45E-04	GST06 - 2S □□□ 056C33 MDSKS□□ 056-33 200
100	160	2.9	24.933	166	9323	217	9324	357	160	2.33E-04	GST06 - 2S □□□ 056C33 MDSKS□□ 056-33 200
114	141	2.3	28.333	189	9323	246	9324	317	141	2.33E-04	GST06 - 2S □□□ 056C33 MDSKS□□ 056-33 200
130	124	2.3	32.267	215	9323	281	9324	363	124	2.22E-04	GST06 - 2S □□□ 056C33 MDSKS□□ 056-33 200
148	109	1.8	36.667	245	9323	319	9324	322	109	2.22E-04	GST06 - 2S □□□ 056C33 MDSKS□□ 056-33 200
158	102	1.9	39.16	261	9323	340	9324	368	102	2.16E-04	GST06 - 2S □□□ 056C33 MDSKS□□ 056-33 200
180	90	1.6	44.5	297	9323	387	9324	325	90	2.16E-04	GST06 - 2S □□□ 056C33 MDSKS□□ 056-33 200
201	81	1.3	49.5	330	9323	417	9324	278	81	2.11E-04	GST06 - 2S □□□ 056C33 MDSKS□□ 056-33 200
229	71	1.3	56.25	376	9323	473	9324	316	71	2.11E-04	GST06 - 2S □□□ 056C33 MDSKS□□ 056-33 200
28	639	5.4	5.324	41	9323	55	9324	207	639	7.76E-04	GST06 - 2S □□□ 071C03 MDSKS□□ 071-03 170
31	581	5.2	5.85	46	9323	60	9324	222	581	7.71E-04	GST06 - 2S □□□ 071C03 MDSKS□□ 071-03 170
34	531	4.9	6.4	50	9323	66	9324	229	531	7.47E-04	GST06 - 2S □□□ 071C03 MDSKS□□ 071-03 170
44	417	4.2	8.163	63	9323	84	9324	252	417	7.06E-04	GST06 - 2S □□□ 071C03 MDSKS□□ 071-03 170
48	377	4	9.01	70	9323	93	9324	261	364	7.50E-04	GST06 - 2S □□□ 071C03 MDSKS□□ 071-03 170
54	340	3.7	10	78	9323	103	9324	269	340	6.82E-04	GST06 - 2S □□□ 071C03 MDSKS□□ 071-03 170
60	304	3.4	11.2	87	9323	115	9324	280	294	7.26E-04	GST06 - 2S □□□ 071C03 MDSKS□□ 071-03 170
68	270	3.2	12.571	98	9323	129	9324	295	270	6.96E-04	GST06 - 2S □□□ 071C03 MDSKS□□ 071-03 170
77	238	3	14.286	111	9323	147	9324	307	238	6.93E-04	GST06 - 2S □□□ 071C03 MDSKS□□ 071-03 170
83	221	3.2	15.4	120	9323	158	9324	318	221	6.75E-04	GST06 - 2S □□□ 071C03 MDSKS□□ 071-03 170
95	194	2.8	17.5	136	9323	180	9324	313	194	6.73E-04	GST06 - 2S □□□ 071C03 MDSKS□□ 071-03 170
109	170	2.7	20.044	156	9323	206	9324	350	170	6.46E-04	GST06 - 2S □□□ 071C03 MDSKS□□ 071-03 170
124	149	2.2	22.778	177	9323	234	9324	315	149	6.45E-04	GST06 - 2S □□□ 071C03 MDSKS□□ 071-03 170
136	136	2.3	24.933	194	9323	256	9324	360	136	6.33E-04	GST06 - 2S □□□ 071C03 MDSKS□□ 071-03 170

Observe the notes for thermal dimensioning.

Selection tables - Helical gearboxes

Naturally ventilated synchronous geared servo motors

M ₂ [Nm]	n ₂ trans [rpm]	c	i	M ₂ max short-time on geared motor at				M ₂ Gr gearbox c=1 n ₁ ≤ 1400 rpm [Nm]	n ₂ therm [rpm]	J _{GM} referred to motor shaft [kgm ²]	Servo helical- geared motor Dimensions on Page 3-99
				8 kHz		16 kHz					
				M ₂ max [Nm]	Type EVS	M ₂ max [Nm]	Type EVS				
155	120	1.8	28.333	220	9323	291	9324	317	120	6.33E-04	GST06 - 2S □□□ 071C03 MDSKS□□ 071-03 170
177	105	1.8	32.267	251	9323	332	9324	363	105	6.22E-04	GST06 - 2S □□□ 071C03 MDSKS□□ 071-03 170
202	93	1.4	36.667	285	9323	377	9324	322	93	6.22E-04	GST06 - 2S □□□ 071C03 MDSKS□□ 071-03 170
216	87	1.5	39.16	304	9323	402	9324	368	87	6.16E-04	GST06 - 2S □□□ 071C03 MDSKS□□ 071-03 170
245	76	1.3	44.5	346	9323	457	9324	325	76	6.16E-04	GST06 - 2S □□□ 071C03 MDSKS□□ 071-03 170
42	695	3.6	5.324	64	9324	89	9325	207	603	9.76E-04	GST06 - 2S □□□ 071C13 MDSKS□□ 071-13 180
46	632	3.5	5.85	71	9324	98	9325	222	546	9.71E-04	GST06 - 2S □□□ 071C13 MDSKS□□ 071-13 180
50	578	3.3	6.4	77	9324	107	9325	229	511	9.47E-04	GST06 - 2S □□□ 071C13 MDSKS□□ 071-13 180
64	453	2.8	8.163	99	9324	136	9325	252	431	9.06E-04	GST06 - 2S □□□ 071C13 MDSKS□□ 071-13 180
71	411	2.7	9.01	109	9324	150	9325	261	335	9.50E-04	GST06 - 2S □□□ 071C13 MDSKS□□ 071-13 180
79	370	2.5	10	121	9324	167	9325	269	370	8.82E-04	GST06 - 2S □□□ 071C13 MDSKS□□ 071-13 180
89	330	2.3	11.2	135	9324	187	9325	280	271	9.26E-04	GST06 - 2S □□□ 071C13 MDSKS□□ 071-13 180
100	294	2.2	12.571	152	9324	209	9325	295	266	8.96E-04	GST06 - 2S □□□ 071C13 MDSKS□□ 071-13 180
114	259	2	14.286	173	9324	238	9325	307	230	8.93E-04	GST06 - 2S □□□ 071C13 MDSKS□□ 071-13 180
123	240	2.2	15.4	186	9324	257	9325	318	240	8.75E-04	GST06 - 2S □□□ 071C13 MDSKS□□ 071-13 180
140	211	1.9	17.5	211	9324	292	9325	313	211	8.73E-04	GST06 - 2S □□□ 071C13 MDSKS□□ 071-13 180
160	185	1.8	20.044	242	9324	334	9325	350	185	8.46E-04	GST06 - 2S □□□ 071C13 MDSKS□□ 071-13 180
183	162	1.4	22.778	275	9324	379	9325	315	162	8.45E-04	GST06 - 2S □□□ 071C13 MDSKS□□ 071-13 180
200	148	1.5	24.933	301	9324	415	9325	360	148	8.33E-04	GST06 - 2S □□□ 071C13 MDSKS□□ 071-13 180
228	131	1.2	28.333	342	9324	472	9325	317	131	8.33E-04	GST06 - 2S □□□ 071C13 MDSKS□□ 071-13 180
259	115	1.2	32.267	390	9324	538	9325	363	115	8.22E-04	GST06 - 2S □□□ 071C13 MDSKS□□ 071-13 180
63	676	2.4	5.324	124	9325	93	9325	207	557	1.18E-03	GST06 - 2S □□□ 071C33 MDSKS□□ 071-33 180
69	615	2.4	5.85	136	9325	102	9325	222	504	1.17E-03	GST06 - 2S □□□ 071C33 MDSKS□□ 071-33 180
75	563	2.2	6.4	149	9325	112	9325	229	472	1.15E-03	GST06 - 2S □□□ 071C33 MDSKS□□ 071-33 180
96	441	1.9	8.163	190	9325	142	9325	252	398	1.11E-03	GST06 - 2S □□□ 071C33 MDSKS□□ 071-33 180
107	400	1.8	9.01	210	9325	157	9325	261	299	1.15E-03	GST06 - 2S □□□ 071C33 MDSKS□□ 071-33 180
118	360	1.7	10	233	9325	174	9325	269	356	1.08E-03	GST06 - 2S □□□ 071C33 MDSKS□□ 071-33 180
133	321	1.6	11.2	261	9325	195	9325	280	231	1.13E-03	GST06 - 2S □□□ 071C33 MDSKS□□ 071-33 180
149	286	1.5	12.571	293	9325	219	9325	295	226	1.10E-03	GST06 - 2S □□□ 071C33 MDSKS□□ 071-33 180
170	252	1.3	14.286	333	9325	249	9325	307	191	1.09E-03	GST06 - 2S □□□ 071C33 MDSKS□□ 071-33 180
183	234	1.5	15.4	358	9325	268	9325	318	215	1.07E-03	GST06 - 2S □□□ 071C33 MDSKS□□ 071-33 180
208	206	1.3	17.5	407	9325	305	9325	313	176	1.07E-03	GST06 - 2S □□□ 071C33 MDSKS□□ 071-33 180
239	180	1.2	20.044	467	9325	349	9325	350	180	1.05E-03	GST06 - 2S □□□ 071C33 MDSKS□□ 071-33 180
297	144	1	24.933	540	9325	435	9325	360	144	1.03E-03	GST06 - 2S □□□ 071C33 MDSKS□□ 071-33 180

Observe the notes for thermal dimensioning.

Selection tables - Helical gearboxes

Naturally ventilated synchronous geared servo motors



M ₂ [Nm]	n _{2 trans} [rpm]	c	i	M _{2 max} short-time on geared motor at				M _{2 Gr} gearbox c=1 n ₁ ≤ 1400 rpm [Nm]	n _{2 therm} [rpm]	J _{GM} referred to motor shaft [kgm ²]	Servo helical-geared motor Dimensions on Page 3-99
				8 kHz		16 kHz					
				M _{2 max} [Nm]	Type EVS	M _{2 max} [Nm]	Type EVS				
103	97	2.6	39.2	174	9322	201	9323	321	97	1.76E-04	GST06 - 3S □□□ 056C23 MDSKS□□ 056-23 190
116	86	2.6	44	195	9322	225	9323	335	86	1.60E-04	GST06 - 3S □□□ 056C23 MDSKS□□ 056-23 190
135	74	2.2	51.022	226	9322	261	9323	325	74	1.72E-04	GST06 - 3S □□□ 056C23 MDSKS□□ 056-23 190
142	71	2.2	53.9	239	9322	276	9323	349	71	1.58E-04	GST06 - 3S □□□ 056C23 MDSKS□□ 056-23 190
180	56	1.9	67.76	300	9322	347	9323	365	56	1.51E-04	GST06 - 3S □□□ 056C23 MDSKS□□ 056-23 190
186	54	1.8	70.156	310	9322	359	9323	359	54	1.56E-04	GST06 - 3S □□□ 056C23 MDSKS□□ 056-23 190
216	47	1.4	80.952	358	9322	415	9323	332	47	1.60E-04	GST06 - 3S □□□ 056C23 MDSKS□□ 056-23 190
232	44	1.5	87.267	386	9322	447	9323	370	44	1.55E-04	GST06 - 3S □□□ 056C23 MDSKS□□ 056-23 190
265	38	1.2	99.167	439	9322	503	9323	336	38	1.55E-04	GST06 - 3S □□□ 056C23 MDSKS□□ 056-23 190
293	35	1.2	109.707	485	9322	562	9323	375	35	1.50E-04	GST06 - 3S □□□ 056C23 MDSKS□□ 056-23 190
156	102	1.7	39.2	258	9323	336	9324	321	102	2.36E-04	GST06 - 3S □□□ 056C33 MDSKS□□ 056-33 200
175	91	1.7	44	289	9323	377	9324	335	91	2.20E-04	GST06 - 3S □□□ 056C33 MDSKS□□ 056-33 200
204	78	1.4	51.022	336	9323	437	9324	325	78	2.32E-04	GST06 - 3S □□□ 056C33 MDSKS□□ 056-33 200
215	74	1.5	53.9	354	9323	462	9324	349	74	2.18E-04	GST06 - 3S □□□ 056C33 MDSKS□□ 056-33 200
271	59	1.2	67.76	446	9323	548	9324	365	59	2.11E-04	GST06 - 3S □□□ 056C33 MDSKS□□ 056-33 200
281	57	1.2	70.156	461	9323	538	9324	359	57	2.16E-04	GST06 - 3S □□□ 056C33 MDSKS□□ 056-33 200
213	87	1.3	39.2	300	9323	397	9324	321	87	6.36E-04	GST06 - 3S □□□ 071C03 MDSKS□□ 071-03 170
239	77	1.3	44	337	9323	445	9324	335	77	6.20E-04	GST06 - 3S □□□ 071C03 MDSKS□□ 071-03 170
278	67	1.1	51.022	391	9323	488	9324	325	67	6.32E-04	GST06 - 3S □□□ 071C03 MDSKS□□ 071-03 170
293	63	1.1	53.9	413	9323	523	9324	349	63	6.18E-04	GST06 - 3S □□□ 071C03 MDSKS□□ 071-03 170
20	518	3.9	7.333	33	9322	39	9323	107	518	2.06E-04	GST07 - 1S □□□ 056C23 MDSKS□□ 056-23 190
24	427	3.4	8.9	41	9322	47	9323	113	427	1.89E-04	GST07 - 1S □□□ 056C23 MDSKS□□ 056-23 190
30	338	2.7	11.25	51	9322	59	9323	114	338	1.72E-04	GST07 - 1S □□□ 056C23 MDSKS□□ 056-23 190
30	545	2.5	7.333	50	9323	65	9324	107	545	2.66E-04	GST07 - 1S □□□ 056C33 MDSKS□□ 056-33 200
36	449	2.2	8.9	60	9323	79	9324	113	449	2.49E-04	GST07 - 1S □□□ 056C33 MDSKS□□ 056-33 200
46	356	1.8	11.25	76	9323	99	9324	114	356	2.32E-04	GST07 - 1S □□□ 056C33 MDSKS□□ 056-33 200
15	1190	5.6	2.857	23	9323	30	9324	118	1190	8.69E-04	GST07 - 1S □□□ 071C03 MDSKS□□ 071-03 170
25	746	4.5	4.556	36	9323	48	9324	150	746	7.37E-04	GST07 - 1S □□□ 071C03 MDSKS□□ 071-03 170
30	609	3.8	5.583	44	9323	58	9324	156	609	7.05E-04	GST07 - 1S □□□ 071C03 MDSKS□□ 071-03 170
40	464	3	7.333	58	9323	77	9324	161	464	6.66E-04	GST07 - 1S □□□ 071C03 MDSKS□□ 071-03 170
49	382	2.5	8.9	70	9323	93	9324	164	382	6.49E-04	GST07 - 1S □□□ 071C03 MDSKS□□ 071-03 170
63	302	1.6	11.25	89	9323	117	9324	136	302	6.32E-04	GST07 - 1S □□□ 071C03 MDSKS□□ 071-03 170
23	1295	3.8	2.857	35	9324	48	9325	118	1142	1.07E-03	GST07 - 1S □□□ 071C13 MDSKS□□ 071-13 180
36	812	3	4.556	56	9324	77	9325	150	812	9.37E-04	GST07 - 1S □□□ 071C13 MDSKS□□ 071-13 180

Observe the notes for thermal dimensioning.

Selection tables - Helical gearboxes

Naturally ventilated synchronous geared servo motors

M ₂ [Nm]	n ₂ trans [rpm]	c	i	M ₂ max short-time on geared motor at				M ₂ Gr gearbox c=1 n ₁ ≤ 1400 rpm [Nm]	n ₂ therm [rpm]	J _{GM} referred to motor shaft [kgm ²]	Servo helical- geared motor Dimensions on Page 3-99
				8 kHz		16 kHz					
				M ₂ max [Nm]	Type EVS	M ₂ max [Nm]	Type EVS				
45	663	2.5	5.583	69	9324	94	9325	156	663	9.05E-04	GST07 - 1S □□□ 071C13 MDSKS□□ 071-13 180
59	505	2	7.333	90	9324	124	9325	161	505	8.66E-04	GST07 - 1S □□□ 071C13 MDSKS□□ 071-13 180
72	416	1.7	8.9	109	9324	151	9325	164	416	8.49E-04	GST07 - 1S □□□ 071C13 MDSKS□□ 071-13 180
92	329	1.1	11.25	138	9324	190	9325	136	329	8.32E-04	GST07 - 1S □□□ 071C13 MDSKS□□ 071-13 180
34	1260	2.6	2.857	68	9325	51	9325	118	1056	1.27E-03	GST07 - 1S □□□ 071C33 MDSKS□□ 071-33 180
55	790	2	4.556	108	9325	81	9325	150	790	1.14E-03	GST07 - 1S □□□ 071C33 MDSKS□□ 071-33 180
67	645	1.7	5.583	132	9325	99	9325	156	645	1.11E-03	GST07 - 1S □□□ 071C33 MDSKS□□ 071-33 180
89	491	1.4	7.333	173	9325	130	9325	161	491	1.07E-03	GST07 - 1S □□□ 071C33 MDSKS□□ 071-33 180
108	404	1.1	8.9	210	9325	157	9325	164	404	1.05E-03	GST07 - 1S □□□ 071C33 MDSKS□□ 071-33 180
85	118	4.4	32.267	145	9322	168	9323	461	118	2.06E-04	GST07 - 2S □□□ 056C23 MDSKS□□ 056-23 190
96	104	4.4	36.667	165	9322	191	9323	524	104	2.05E-04	GST07 - 2S □□□ 056C23 MDSKS□□ 056-23 190
103	97	3.8	39.16	176	9322	204	9323	491	97	1.89E-04	GST07 - 2S □□□ 056C23 MDSKS□□ 056-23 190
117	85	4.3	44.5	200	9322	231	9323	558	85	1.88E-04	GST07 - 2S □□□ 056C23 MDSKS□□ 056-23 190
131	77	3.4	49.5	222	9322	257	9323	493	77	1.73E-04	GST07 - 2S □□□ 056C23 MDSKS□□ 056-23 190
149	68	3.4	56.25	253	9322	293	9323	560	68	1.73E-04	GST07 - 2S □□□ 056C23 MDSKS□□ 056-23 190
129	124	2.9	32.267	215	9323	281	9324	461	124	2.66E-04	GST07 - 2S □□□ 056C33 MDSKS□□ 056-33 200
147	109	2.9	36.667	245	9323	319	9324	524	109	2.65E-04	GST07 - 2S □□□ 056C33 MDSKS□□ 056-33 200
157	102	2.5	39.16	261	9323	340	9324	491	102	2.49E-04	GST07 - 2S □□□ 056C33 MDSKS□□ 056-33 200
178	90	2.8	44.5	297	9323	387	9324	558	90	2.48E-04	GST07 - 2S □□□ 056C33 MDSKS□□ 056-33 200
199	81	2.2	49.5	330	9323	430	9324	493	81	2.33E-04	GST07 - 2S □□□ 056C33 MDSKS□□ 056-33 200
226	71	2.2	56.25	376	9323	489	9324	560	71	2.33E-04	GST07 - 2S □□□ 056C33 MDSKS□□ 056-33 200
66	270	5.6	12.571	98	9323	129	9324	513	270	8.86E-04	GST07 - 2S □□□ 071C03 MDSKS□□ 071-03 170
75	238	5.6	14.286	111	9323	147	9324	583	238	8.79E-04	GST07 - 2S □□□ 071C03 MDSKS□□ 071-03 170
106	170	5.1	20.044	156	9323	206	9324	650	170	7.38E-04	GST07 - 2S □□□ 071C03 MDSKS□□ 071-03 170
121	149	4.7	22.778	177	9323	234	9324	682	149	7.35E-04	GST07 - 2S □□□ 071C03 MDSKS□□ 071-03 170
131	138	4.3	24.567	191	9323	252	9324	677	138	7.02E-04	GST07 - 2S □□□ 071C03 MDSKS□□ 071-03 170
150	122	3.9	27.917	217	9323	287	9324	691	122	7.01E-04	GST07 - 2S □□□ 071C03 MDSKS□□ 071-03 170
174	105	3.4	32.267	251	9323	332	9324	698	105	6.66E-04	GST07 - 2S □□□ 071C03 MDSKS□□ 071-03 170
199	93	3	36.667	285	9323	377	9324	702	93	6.65E-04	GST07 - 2S □□□ 071C03 MDSKS□□ 071-03 170
213	87	2.8	39.16	304	9323	402	9324	706	87	6.49E-04	GST07 - 2S □□□ 071C03 MDSKS□□ 071-03 170
242	76	2.8	44.5	346	9323	457	9324	707	76	6.48E-04	GST07 - 2S □□□ 071C03 MDSKS□□ 071-03 170
271	69	2.1	49.5	385	9323	509	9324	600	69	6.33E-04	GST07 - 2S □□□ 071C03 MDSKS□□ 071-03 170
307	60	2.1	56.25	437	9323	578	9324	688	60	6.33E-04	GST07 - 2S □□□ 071C03 MDSKS□□ 071-03 170
98	294	3.8	12.571	152	9324	209	9325	513	260	1.09E-03	GST07 - 2S □□□ 071C13 MDSKS□□ 071-13 180

Observe the notes for thermal dimensioning.

Selection tables - Helical gearboxes

Naturally ventilated synchronous geared servo motors



M ₂ [Nm]	n _{2 trans} [rpm]	c	i	M _{2 max} short-time on geared motor at				M _{2 Gr} gearbox c=1 n ₁ ≤ 1400 rpm [Nm]	n _{2 therm} [rpm]	J _{GM} referred to motor shaft [kgm ²]	Servo helical-geared motor Dimensions on Page 3-99
				8 kHz		16 kHz					
				M _{2 max} [Nm]	Type EVS	M _{2 max} [Nm]	Type EVS				
112	259	3.8	14.286	173	9324	238	9325	583	228	1.08E-03	GST07 - 2S □□□ 071C13 MDSKS□□ 071-13 180
157	185	3.4	20.044	242	9324	334	9325	650	185	9.38E-04	GST07 - 2S □□□ 071C13 MDSKS□□ 071-13 180
179	162	3.1	22.778	275	9324	379	9325	682	162	9.35E-04	GST07 - 2S □□□ 071C13 MDSKS□□ 071-13 180
194	151	2.9	24.567	297	9324	409	9325	677	151	9.02E-04	GST07 - 2S □□□ 071C13 MDSKS□□ 071-13 180
221	133	2.6	27.917	337	9324	465	9325	691	133	9.01E-04	GST07 - 2S □□□ 071C13 MDSKS□□ 071-13 180
256	115	2.3	32.267	390	9324	538	9325	698	115	8.66E-04	GST07 - 2S □□□ 071C13 MDSKS□□ 071-13 180
292	101	2	36.667	443	9324	611	9325	702	101	8.65E-04	GST07 - 2S □□□ 071C13 MDSKS□□ 071-13 180
312	94	1.9	39.16	473	9324	652	9325	706	94	8.49E-04	GST07 - 2S □□□ 071C13 MDSKS□□ 071-13 180
355	83	1.8	44.5	538	9324	741	9325	707	83	8.48E-04	GST07 - 2S □□□ 071C13 MDSKS□□ 071-13 180
397	75	1.4	49.5	598	9324	825	9325	600	75	8.33E-04	GST07 - 2S □□□ 071C13 MDSKS□□ 071-13 180
451	66	1.4	56.25	680	9324	937	9325	688	66	8.33E-04	GST07 - 2S □□□ 071C13 MDSKS□□ 071-13 180
148	286	2.6	12.571	293	9325	219	9325	513	240	1.29E-03	GST07 - 2S □□□ 071C33 MDSKS□□ 071-33 180
168	252	2.6	14.286	333	9325	249	9325	583	211	1.28E-03	GST07 - 2S □□□ 071C33 MDSKS□□ 071-33 180
236	180	2.3	20.044	467	9325	349	9325	650	180	1.14E-03	GST07 - 2S □□□ 071C33 MDSKS□□ 071-33 180
269	158	2.1	22.778	530	9325	397	9325	682	158	1.14E-03	GST07 - 2S □□□ 071C33 MDSKS□□ 071-33 180
290	147	2	24.567	572	9325	428	9325	677	147	1.10E-03	GST07 - 2S □□□ 071C33 MDSKS□□ 071-33 180
331	129	1.8	27.917	650	9325	487	9325	691	129	1.10E-03	GST07 - 2S □□□ 071C33 MDSKS□□ 071-33 180
383	112	1.5	32.267	751	9325	562	9325	698	112	1.07E-03	GST07 - 2S □□□ 071C33 MDSKS□□ 071-33 180
436	98	1.4	36.667	853	9325	639	9325	702	98	1.07E-03	GST07 - 2S □□□ 071C33 MDSKS□□ 071-33 180
466	92	1.3	39.16	912	9325	682	9325	706	92	1.05E-03	GST07 - 2S □□□ 071C33 MDSKS□□ 071-33 180
530	81	1.3	44.5	1036	9325	775	9325	707	81	1.05E-03	GST07 - 2S □□□ 071C33 MDSKS□□ 071-33 180
100	97	5.5	39.2	174	9322	201	9323	692	97	2.37E-04	GST07 - 3S □□□ 056C23 MDSKS□□ 056-23 190
112	86	5.5	44	195	9322	225	9323	706	86	1.93E-04	GST07 - 3S □□□ 056C23 MDSKS□□ 056-23 190
131	74	4.7	51.022	226	9322	261	9323	700	74	2.24E-04	GST07 - 3S □□□ 056C23 MDSKS□□ 056-23 190
139	71	4.5	53.9	239	9322	276	9323	706	71	1.88E-04	GST07 - 3S □□□ 056C23 MDSKS□□ 056-23 190
169	58	3.8	65.079	288	9322	333	9323	707	58	1.71E-04	GST07 - 3S □□□ 056C23 MDSKS□□ 056-23 190
183	54	3.5	70.156	310	9322	359	9323	706	54	1.83E-04	GST07 - 3S □□□ 056C23 MDSKS□□ 056-23 190
209	48	3.1	79.762	353	9322	409	9323	710	48	1.94E-04	GST07 - 3S □□□ 056C23 MDSKS□□ 056-23 190
226	44	2.8	85.983	381	9322	440	9323	706	44	1.80E-04	GST07 - 3S □□□ 056C23 MDSKS□□ 056-23 190
257	39	2.5	97.708	432	9322	501	9323	710	39	1.80E-04	GST07 - 3S □□□ 056C23 MDSKS□□ 056-23 190
296	34	2.2	111.915	495	9322	573	9323	706	34	1.64E-04	GST07 - 3S □□□ 056C23 MDSKS□□ 056-23 190
337	30	1.9	127.176	563	9322	651	9323	710	30	1.64E-04	GST07 - 3S □□□ 056C23 MDSKS□□ 056-23 190
370	27	1.8	139.211	616	9322	713	9323	706	27	1.57E-04	GST07 - 3S □□□ 056C23 MDSKS□□ 056-23 190
421	24	1.6	158.194	700	9322	810	9323	710	24	1.57E-04	GST07 - 3S □□□ 056C23 MDSKS□□ 056-23 190

Observe the notes for thermal dimensioning.

Selection tables - Helical gearboxes

Naturally ventilated synchronous geared servo motors

M ₂ [Nm]	n ₂ trans [rpm]	c	i	M ₂ max short-time on geared motor at				M ₂ Gr gearbox c=1 n ₁ ≤ 1400 rpm [Nm]	n ₂ therm [rpm]	J _{GM} referred to motor shaft [kgm ²]	Servo helical- geared motor Dimensions on Page 3-99
				8 kHz		16 kHz					
				M ₂ max [Nm]	Type EVS	M ₂ max [Nm]	Type EVS				
480	21	1.4	180.156	797	9322	923	9323	706	21	1.51E-04	GST07 - 3S □□□ 056C23 MDSKS□□ 056-23 190
547	19	1.2	204.722	906	9322	1049	9323	710	19	1.51E-04	GST07 - 3S □□□ 056C23 MDSKS□□ 056-23 190
633	16	1	236.622	1047	9322	1059	9323	706	16	1.50E-04	GST07 - 3S □□□ 056C23 MDSKS□□ 056-23 190
153	102	3.6	39.2	258	9323	336	9324	692	102	2.97E-04	GST07 - 3S □□□ 056C33 MDSKS□□ 056-33 200
172	91	3.6	44	289	9323	377	9324	706	91	2.53E-04	GST07 - 3S □□□ 056C33 MDSKS□□ 056-33 200
200	78	3.1	51.022	336	9323	437	9324	700	78	2.84E-04	GST07 - 3S □□□ 056C33 MDSKS□□ 056-33 200
212	74	3	53.9	354	9323	462	9324	706	74	2.48E-04	GST07 - 3S □□□ 056C33 MDSKS□□ 056-33 200
257	61	2.5	65.079	428	9323	557	9324	707	61	2.31E-04	GST07 - 3S □□□ 056C33 MDSKS□□ 056-33 200
278	57	2.3	70.156	461	9323	601	9324	706	57	2.43E-04	GST07 - 3S □□□ 056C33 MDSKS□□ 056-33 200
317	50	2	79.762	524	9323	683	9324	710	50	2.54E-04	GST07 - 3S □□□ 056C33 MDSKS□□ 056-33 200
342	47	1.9	85.983	565	9323	736	9324	706	47	2.40E-04	GST07 - 3S □□□ 056C33 MDSKS□□ 056-33 200
390	41	1.6	97.708	642	9323	837	9324	710	41	2.40E-04	GST07 - 3S □□□ 056C33 MDSKS□□ 056-33 200
447	36	1.4	111.915	736	9323	958	9324	706	36	2.24E-04	GST07 - 3S □□□ 056C33 MDSKS□□ 056-33 200
509	31	1.3	127.176	836	9323	1065	9324	710	31	2.24E-04	GST07 - 3S □□□ 056C33 MDSKS□□ 056-33 200
558	29	1.1	139.211	915	9323	1059	9324	706	29	2.17E-04	GST07 - 3S □□□ 056C33 MDSKS□□ 056-33 200
635	25	1	158.194	1040	9323	1065	9324	710	25	2.17E-04	GST07 - 3S □□□ 056C33 MDSKS□□ 056-33 200
210	87	2.8	39.2	300	9323	397	9324	692	87	6.97E-04	GST07 - 3S □□□ 071C03 MDSKS□□ 071-03 170
235	77	2.8	44	337	9323	445	9324	706	77	6.53E-04	GST07 - 3S □□□ 071C03 MDSKS□□ 071-03 170
274	67	2.4	51.022	391	9323	516	9324	700	67	6.84E-04	GST07 - 3S □□□ 071C03 MDSKS□□ 071-03 170
290	63	2.3	53.9	413	9323	546	9324	706	63	6.48E-04	GST07 - 3S □□□ 071C03 MDSKS□□ 071-03 170
351	52	1.9	65.079	498	9323	659	9324	707	52	6.31E-04	GST07 - 3S □□□ 071C03 MDSKS□□ 071-03 170
379	48	1.8	70.156	537	9323	710	9324	706	48	6.43E-04	GST07 - 3S □□□ 071C03 MDSKS□□ 071-03 170
432	43	1.6	79.762	611	9323	807	9324	710	43	6.54E-04	GST07 - 3S □□□ 071C03 MDSKS□□ 071-03 170
466	40	1.4	85.983	658	9323	870	9324	706	40	6.40E-04	GST07 - 3S □□□ 071C03 MDSKS□□ 071-03 170
531	35	1.3	97.708	748	9323	989	9324	710	35	6.40E-04	GST07 - 3S □□□ 071C03 MDSKS□□ 071-03 170
609	30	1.1	111.915	857	9323	1059	9324	706	30	6.24E-04	GST07 - 3S □□□ 071C03 MDSKS□□ 071-03 170
308	94	1.9	39.2	466	9324	643	9325	692	94	8.97E-04	GST07 - 3S □□□ 071C13 MDSKS□□ 071-13 180
346	84	1.9	44	524	9324	722	9325	706	84	8.53E-04	GST07 - 3S □□□ 071C13 MDSKS□□ 071-13 180
402	73	1.6	51.022	607	9324	837	9325	700	73	8.84E-04	GST07 - 3S □□□ 071C13 MDSKS□□ 071-13 180
425	69	1.5	53.9	641	9324	884	9325	706	69	8.48E-04	GST07 - 3S □□□ 071C13 MDSKS□□ 071-13 180
515	57	1.3	65.079	774	9324	1061	9325	707	57	8.31E-04	GST07 - 3S □□□ 071C13 MDSKS□□ 071-13 180
555	53	1.2	70.156	835	9324	1059	9325	706	53	8.43E-04	GST07 - 3S □□□ 071C13 MDSKS□□ 071-13 180
632	46	1	79.762	949	9324	1065	9325	710	46	8.54E-04	GST07 - 3S □□□ 071C13 MDSKS□□ 071-13 180
459	92	1.3	39.2	899	9325	673	9325	692	92	1.10E-03	GST07 - 3S □□□ 071C33 MDSKS□□ 071-33 180

Observe the notes for thermal dimensioning.

Selection tables - Helical gearboxes

Naturally ventilated synchronous geared servo motors



M ₂ [Nm]	n _{2 trans} [rpm]	c	i	M _{2 max} short-time on geared motor at				M _{2 Gr} gearbox c=1 n ₁ ≤ 1400 rpm [Nm]	n _{2 therm} [rpm]	J _{GM} referred to motor shaft [kgm ²]	Servo helical- geared motor Dimensions on Page 3-99
				8 kHz		16 kHz					
				M _{2 max} [Nm]	Type EVS	M _{2 max} [Nm]	Type EVS				
516	82	1.3	44	1009	9325	755	9325	706	82	1.05E-03	GST07 - 3S □□□ 071C33 MDSKS□□ 071-33 180
599	71	1.1	51.022	1050	9325	876	9325	700	66	1.08E-03	GST07 - 3S □□□ 071C33 MDSKS□□ 071-33 180
633	67	1	53.9	1059	9325	925	9325	706	67	1.05E-03	GST07 - 3S □□□ 071C33 MDSKS□□ 071-33 180
238	41	5.8	93.541	414	9322	479	9323	1564	41	2.11E-04	GST09 - 3S □□□ 056C23 MDSKS□□ 056-23 190
292	33	4.9	113.585	503	9322	582	9323	1613	33	2.05E-04	GST09 - 3S □□□ 056C23 MDSKS□□ 056-23 190
333	29	4.3	129.074	571	9322	661	9323	1612	29	2.05E-04	GST09 - 3S □□□ 056C23 MDSKS□□ 056-23 190
366	27	3.9	141.289	625	9322	724	9323	1613	27	1.86E-04	GST09 - 3S □□□ 056C23 MDSKS□□ 056-23 190
418	24	3.5	160.556	710	9322	822	9323	1623	24	1.86E-04	GST09 - 3S □□□ 056C23 MDSKS□□ 056-23 190
479	21	3	182.844	809	9322	937	9323	1613	21	1.70E-04	GST09 - 3S □□□ 056C23 MDSKS□□ 056-23 190
546	18	2.7	207.778	919	9322	1064	9323	1623	18	1.70E-04	GST09 - 3S □□□ 056C23 MDSKS□□ 056-23 190
624	16	2.4	236.622	1047	9322	1212	9323	1613	16	1.68E-04	GST09 - 3S □□□ 056C23 MDSKS□□ 056-23 190
666	15	2.2	252.167	1116	9322	1292	9323	1623	15	1.61E-04	GST09 - 3S □□□ 056C23 MDSKS□□ 056-23 190
711	14	2.1	268.889	1190	9322	1377	9323	1623	14	1.68E-04	GST09 - 3S □□□ 056C23 MDSKS□□ 056-23 190
867	12	1.7	326.333	1444	9322	1672	9323	1623	12	1.60E-04	GST09 - 3S □□□ 056C23 MDSKS□□ 056-23 190
966	10	1.5	363	1606	9322	1859	9323	1613	10	1.66E-04	GST09 - 3S □□□ 056C23 MDSKS□□ 056-23 190
1100	9.2	1.4	412.5	1825	9322	2113	9323	1623	9.2	1.58E-04	GST09 - 3S □□□ 056C23 MDSKS□□ 056-23 190
156	100	4.1	40.136	264	9323	344	9324	806	100	4.14E-04	GST09 - 3S □□□ 056C33 MDSKS□□ 056-33 200
365	43	3.8	93.541	615	9323	801	9324	1564	43	2.71E-04	GST09 - 3S □□□ 056C33 MDSKS□□ 056-33 200
445	35	3.2	113.585	747	9323	973	9324	1613	35	2.65E-04	GST09 - 3S □□□ 056C33 MDSKS□□ 056-33 200
508	31	2.8	129.074	849	9323	1105	9324	1612	31	2.65E-04	GST09 - 3S □□□ 056C33 MDSKS□□ 056-33 200
558	28	2.6	141.289	929	9323	1210	9324	1613	28	2.46E-04	GST09 - 3S □□□ 056C33 MDSKS□□ 056-33 200
636	25	2.3	160.556	1056	9323	1375	9324	1623	25	2.46E-04	GST09 - 3S □□□ 056C33 MDSKS□□ 056-33 200
726	22	2	182.844	1202	9323	1566	9324	1613	22	2.30E-04	GST09 - 3S □□□ 056C33 MDSKS□□ 056-33 200
827	19	1.8	207.778	1366	9323	1779	9324	1623	19	2.30E-04	GST09 - 3S □□□ 056C33 MDSKS□□ 056-33 200
944	17	1.5	236.622	1556	9323	2026	9324	1613	17	2.28E-04	GST09 - 3S □□□ 056C33 MDSKS□□ 056-33 200
1007	16	1.5	252.167	1658	9323	2159	9324	1623	16	2.21E-04	GST09 - 3S □□□ 056C33 MDSKS□□ 056-33 200
1075	15	1.4	268.889	1768	9323	2302	9324	1623	15	2.28E-04	GST09 - 3S □□□ 056C33 MDSKS□□ 056-33 200
1308	12	1.1	326.333	2146	9323	2435	9324	1623	12	2.20E-04	GST09 - 3S □□□ 056C33 MDSKS□□ 056-33 200
1457	11	1	363	2387	9323	2420	9324	1613	11	2.26E-04	GST09 - 3S □□□ 056C33 MDSKS□□ 056-33 200
209	85	5.3	40.136	307	9323	406	9324	1344	85	8.14E-04	GST09 - 3S □□□ 071C03 MDSKS□□ 071-03 170
225	79	5.2	43.267	331	9323	438	9324	1290	79	7.55E-04	GST09 - 3S □□□ 071C03 MDSKS□□ 071-03 170
256	69	5.2	49.167	376	9323	498	9324	1466	69	7.53E-04	GST09 - 3S □□□ 071C03 MDSKS□□ 071-03 170
278	64	4.6	53.044	406	9323	537	9324	1379	64	7.38E-04	GST09 - 3S □□□ 071C03 MDSKS□□ 071-03 170
316	56	4.6	60.278	461	9323	610	9324	1565	56	7.37E-04	GST09 - 3S □□□ 071C03 MDSKS□□ 071-03 170

Observe the notes for thermal dimensioning.

Selection tables - Helical gearboxes

Naturally ventilated synchronous geared servo motors

M ₂ [Nm]	n ₂ trans [rpm]	c	i	M ₂ max short-time on geared motor at				M ₂ Gr gearbox c=1 n ₁ ≤ 1400 rpm [Nm]	n ₂ therm [rpm]	J _{GM} referred to motor shaft [kgm ²]	Servo helical- geared motor Dimensions on Page 3-99
				8 kHz		16 kHz					
				M ₂ max [Nm]	Type EVS	M ₂ max [Nm]	Type EVS				
381	47	3.6	71.867	550	9323	727	9324	1477	47	7.17E-04	GST09 - 3S □□□ 071C03 MDSKS□□ 071-03 170
434	42	3.4	81.667	625	9323	827	9324	1584	42	7.16E-04	GST09 - 3S □□□ 071C03 MDSKS□□ 071-03 170
499	36	3	93.541	716	9323	947	9324	1613	36	6.71E-04	GST09 - 3S □□□ 071C03 MDSKS□□ 071-03 170
530	34	2.8	99.167	759	9323	1004	9324	1596	34	7.07E-04	GST09 - 3S □□□ 071C03 MDSKS□□ 071-03 170
609	30	2.5	113.585	870	9323	1150	9324	1613	30	6.65E-04	GST09 - 3S □□□ 071C03 MDSKS□□ 071-03 170
694	26	2.2	129.074	988	9323	1306	9324	1612	26	6.65E-04	GST09 - 3S □□□ 071C03 MDSKS□□ 071-03 170
762	24	2	141.289	1082	9323	1430	9324	1613	24	6.46E-04	GST09 - 3S □□□ 071C03 MDSKS□□ 071-03 170
867	21	1.8	160.556	1229	9323	1625	9324	1623	21	6.46E-04	GST09 - 3S □□□ 071C03 MDSKS□□ 071-03 170
990	19	1.6	182.844	1400	9323	1851	9324	1613	19	6.30E-04	GST09 - 3S □□□ 071C03 MDSKS□□ 071-03 170
1127	16	1.4	207.778	1591	9323	2103	9324	1623	16	6.30E-04	GST09 - 3S □□□ 071C03 MDSKS□□ 071-03 170
1286	14	1.2	236.622	1811	9323	2395	9324	1613	14	6.28E-04	GST09 - 3S □□□ 071C03 MDSKS□□ 071-03 170
1372	13	1.1	252.167	1930	9323	2435	9324	1623	13	6.21E-04	GST09 - 3S □□□ 071C03 MDSKS□□ 071-03 170
1464	13	1.1	268.889	2058	9323	2435	9324	1623	13	6.28E-04	GST09 - 3S □□□ 071C03 MDSKS□□ 071-03 170
310	92	3.6	40.136	478	9324	659	9325	1344	92	1.01E-03	GST09 - 3S □□□ 071C13 MDSKS□□ 071-13 180
334	86	3.5	43.267	515	9324	710	9325	1290	86	9.55E-04	GST09 - 3S □□□ 071C13 MDSKS□□ 071-13 180
380	75	3.5	49.167	585	9324	807	9325	1466	75	9.53E-04	GST09 - 3S □□□ 071C13 MDSKS□□ 071-13 180
412	70	3.1	53.044	631	9324	870	9325	1379	70	9.38E-04	GST09 - 3S □□□ 071C13 MDSKS□□ 071-13 180
468	61	3.1	60.278	717	9324	989	9325	1565	61	9.37E-04	GST09 - 3S □□□ 071C13 MDSKS□□ 071-13 180
562	51	2.4	71.867	855	9324	1179	9325	1477	51	9.17E-04	GST09 - 3S □□□ 071C13 MDSKS□□ 071-13 180
639	45	2.3	81.667	972	9324	1340	9325	1584	45	9.16E-04	GST09 - 3S □□□ 071C13 MDSKS□□ 071-13 180
734	40	2	93.541	1113	9324	1535	9325	1613	40	8.71E-04	GST09 - 3S □□□ 071C13 MDSKS□□ 071-13 180
779	37	1.9	99.167	1180	9324	1627	9325	1596	37	9.07E-04	GST09 - 3S □□□ 071C13 MDSKS□□ 071-13 180
895	33	1.7	113.585	1351	9324	1864	9325	1613	33	8.65E-04	GST09 - 3S □□□ 071C13 MDSKS□□ 071-13 180
1019	29	1.5	129.074	1536	9324	2118	9325	1612	29	8.65E-04	GST09 - 3S □□□ 071C13 MDSKS□□ 071-13 180
1117	26	1.3	141.289	1681	9324	2318	9325	1613	26	8.46E-04	GST09 - 3S □□□ 071C13 MDSKS□□ 071-13 180
1271	23	1.2	160.556	1910	9324	2435	9325	1623	23	8.46E-04	GST09 - 3S □□□ 071C13 MDSKS□□ 071-13 180
1450	20	1	182.844	2176	9324	2420	9325	1613	20	8.30E-04	GST09 - 3S □□□ 071C13 MDSKS□□ 071-13 180
465	90	2.4	40.136	920	9325	689	9325	1344	90	1.21E-03	GST09 - 3S □□□ 071C33 MDSKS□□ 071-33 180
501	83	2.4	43.267	992	9325	743	9325	1290	83	1.16E-03	GST09 - 3S □□□ 071C33 MDSKS□□ 071-33 180
570	73	2.4	49.167	1127	9325	844	9325	1466	73	1.15E-03	GST09 - 3S □□□ 071C33 MDSKS□□ 071-33 180
616	68	2.1	53.044	1216	9325	910	9325	1379	68	1.14E-03	GST09 - 3S □□□ 071C33 MDSKS□□ 071-33 180
701	60	2.1	60.278	1382	9325	1035	9325	1565	60	1.14E-03	GST09 - 3S □□□ 071C33 MDSKS□□ 071-33 180
839	50	1.6	71.867	1648	9325	1234	9325	1477	50	1.12E-03	GST09 - 3S □□□ 071C33 MDSKS□□ 071-33 180
954	44	1.6	81.667	1872	9325	1402	9325	1584	44	1.12E-03	GST09 - 3S □□□ 071C33 MDSKS□□ 071-33 180

Observe the notes for thermal dimensioning.

Selection tables - Helical gearboxes

Naturally ventilated synchronous geared servo motors



M ₂ [Nm]	n _{2 trans} [rpm]	c	i	M _{2 max} short-time on geared motor at				M _{2 Gr} gearbox c=1 n ₁ ≤1400 rpm [Nm]	n _{2 therm} [rpm]	J _{GM} referred to motor shaft [kgm ²]	Servo helical- geared motor Dimensions on Page 3-99
				8 kHz		16 kHz					
				M _{2 max} [Nm]	Type EVS	M _{2 max} [Nm]	Type EVS				
1095	38	1.4	93.541	2145	9325	1606	9325	1613	38	1.07E-03	GST09 - 3S □□□ 071C33 MDSKS□□ 071-33 180
1162	36	1.3	99.167	2274	9325	1702	9325	1596	36	1.11E-03	GST09 - 3S □□□ 071C33 MDSKS□□ 071-33 180
1333	32	1.1	113.585	2420	9325	1950	9325	1613	32	1.07E-03	GST09 - 3S □□□ 071C33 MDSKS□□ 071-33 180
535	18	4.7	207.778	919	9322	1064	9323	2810	18	2.28E-04	GST11 - 3S □□□ 056C23 MDSKS□□ 056-23 190
614	16	3.9	236.622	1047	9322	1212	9323	2695	16	2.22E-04	GST11 - 3S □□□ 056C23 MDSKS□□ 056-23 190
655	15	3.8	252.167	1116	9322	1292	9323	2810	15	2.03E-04	GST11 - 3S □□□ 056C23 MDSKS□□ 056-23 190
699	14	3.7	268.889	1190	9322	1377	9323	2848	14	2.22E-04	GST11 - 3S □□□ 056C23 MDSKS□□ 056-23 190
855	12	3	326.333	1444	9322	1672	9323	2848	12	1.99E-04	GST11 - 3S □□□ 056C23 MDSKS□□ 056-23 190
955	10	2.6	363	1606	9322	1859	9323	2695	10	2.16E-04	GST11 - 3S □□□ 056C23 MDSKS□□ 056-23 190
1088	9.2	2.4	412.5	1825	9322	2113	9323	2848	9.2	1.95E-04	GST11 - 3S □□□ 056C23 MDSKS□□ 056-23 190
816	19	3.1	207.778	1366	9323	1779	9324	2810	19	2.88E-04	GST11 - 3S □□□ 056C33 MDSKS□□ 056-33 200
934	17	2.6	236.622	1556	9323	2026	9324	2695	17	2.82E-04	GST11 - 3S □□□ 056C33 MDSKS□□ 056-33 200
996	16	2.5	252.167	1658	9323	2159	9324	2810	16	2.63E-04	GST11 - 3S □□□ 056C33 MDSKS□□ 056-33 200
1063	15	2.4	268.889	1768	9323	2302	9324	2848	15	2.82E-04	GST11 - 3S □□□ 056C33 MDSKS□□ 056-33 200
1296	12	2	326.333	2146	9323	2794	9324	2848	12	2.59E-04	GST11 - 3S □□□ 056C33 MDSKS□□ 056-33 200
1447	11	1.7	363	2387	9323	3108	9324	2695	11	2.76E-04	GST11 - 3S □□□ 056C33 MDSKS□□ 056-33 200
1646	9.7	1.6	412.5	2712	9323	3532	9324	2848	9.7	2.55E-04	GST11 - 3S □□□ 056C33 MDSKS□□ 056-33 200
682	26	3.8	129.074	988	9323	1306	9324	2810	26	7.94E-04	GST11 - 3S □□□ 071C03 MDSKS□□ 071-03 170
782	23	3.2	146.993	1125	9323	1488	9324	2695	23	7.77E-04	GST11 - 3S □□□ 071C03 MDSKS□□ 071-03 170
843	21	3.1	158.194	1211	9323	1601	9324	2810	21	7.40E-04	GST11 - 3S □□□ 071C03 MDSKS□□ 071-03 170
965	19	2.6	180.156	1379	9323	1823	9324	2695	19	7.29E-04	GST11 - 3S □□□ 071C03 MDSKS□□ 071-03 170
1115	16	2.4	207.778	1591	9323	2103	9324	2810	16	6.88E-04	GST11 - 3S □□□ 071C03 MDSKS□□ 071-03 170
1275	14	2	236.622	1811	9323	2395	9324	2695	14	6.82E-04	GST11 - 3S □□□ 071C03 MDSKS□□ 071-03 170
1360	13	2	252.167	1930	9323	2552	9324	2810	13	6.63E-04	GST11 - 3S □□□ 071C03 MDSKS□□ 071-03 170
1451	13	1.9	268.889	2058	9323	2721	9324	2848	13	6.82E-04	GST11 - 3S □□□ 071C03 MDSKS□□ 071-03 170
1768	10	1.5	326.333	2498	9323	3303	9324	2848	10	6.59E-04	GST11 - 3S □□□ 071C03 MDSKS□□ 071-03 170
1971	9.4	1.3	363	2779	9323	3674	9324	2695	9.4	6.76E-04	GST11 - 3S □□□ 071C03 MDSKS□□ 071-03 170
2242	8.2	1.2	412.5	3158	9323	4175	9324	2848	8.2	6.55E-04	GST11 - 3S □□□ 071C03 MDSKS□□ 071-03 170
313	91	4.3	40.816	486	9324	670	9325	1641	91	1.44E-03	GST11 - 3S □□□ 071C13 MDSKS□□ 071-13 180
335	84	4.7	44	524	9324	722	9325	1769	84	1.37E-03	GST11 - 3S □□□ 071C13 MDSKS□□ 071-13 180
381	74	4.7	50	595	9324	820	9325	2010	74	1.36E-03	GST11 - 3S □□□ 071C13 MDSKS□□ 071-13 180
442	64	4.7	57.968	690	9324	951	9325	2331	64	1.28E-03	GST11 - 3S □□□ 071C13 MDSKS□□ 071-13 180
1007	29	2.6	129.074	1536	9324	2118	9325	2810	29	9.94E-04	GST11 - 3S □□□ 071C13 MDSKS□□ 071-13 180
1152	25	2.2	146.993	1749	9324	2412	9325	2695	25	9.77E-04	GST11 - 3S □□□ 071C13 MDSKS□□ 071-13 180

Observe the notes for thermal dimensioning.

Selection tables - Helical gearboxes

Naturally ventilated synchronous geared servo motors

M ₂ [Nm]	n ₂ trans [rpm]	c	i	M ₂ max short-time on geared motor at				M ₂ Gr gearbox c=1 n ₁ ≤ 1400 rpm [Nm]	n ₂ therm [rpm]	J _{GM} referred to motor shaft [kgm ²]	Servo helical- geared motor Dimensions on Page 3-99
				8 kHz		16 kHz					
				M ₂ max [Nm]	Type EVS	M ₂ max [Nm]	Type EVS				
1241	23	2.1	158.194	1882	9324	2596	9325	2810	23	9.40E-04	GST11 - 3S □□□ 071C13 MDSKS□□ 071-13 180
1418	21	1.8	180.156	2144	9324	2956	9325	2695	21	9.29E-04	GST11 - 3S □□□ 071C13 MDSKS□□ 071-13 180
1638	18	1.6	207.778	2472	9324	3409	9325	2810	18	8.88E-04	GST11 - 3S □□□ 071C13 MDSKS□□ 071-13 180
1870	16	1.3	236.622	2815	9324	3883	9325	2695	16	8.82E-04	GST11 - 3S □□□ 071C13 MDSKS□□ 071-13 180
1994	15	1.3	252.167	3000	9324	4138	9325	2810	15	8.63E-04	GST11 - 3S □□□ 071C13 MDSKS□□ 071-13 180
2127	14	1.2	268.889	3199	9324	4272	9325	2848	14	8.82E-04	GST11 - 3S □□□ 071C13 MDSKS□□ 071-13 180
2588	11	1	326.333	3883	9324	4272	9325	2848	11	8.59E-04	GST11 - 3S □□□ 071C13 MDSKS□□ 071-13 180
470	88	2.9	40.816	936	9325	701	9325	1641	88	1.64E-03	GST11 - 3S □□□ 071C33 MDSKS□□ 071-33 180
505	82	3.2	44	1009	9325	755	9325	1769	82	1.57E-03	GST11 - 3S □□□ 071C33 MDSKS□□ 071-33 180
574	72	3.2	50	1146	9325	858	9325	2010	72	1.56E-03	GST11 - 3S □□□ 071C33 MDSKS□□ 071-33 180
666	62	3.2	57.968	1329	9325	995	9325	2331	62	1.48E-03	GST11 - 3S □□□ 071C33 MDSKS□□ 071-33 180
1505	28	1.7	129.074	2959	9325	2215	9325	2810	28	1.19E-03	GST11 - 3S □□□ 071C33 MDSKS□□ 071-33 180
1719	24	1.5	146.993	3370	9325	2523	9325	2695	24	1.18E-03	GST11 - 3S □□□ 071C33 MDSKS□□ 071-33 180
1851	23	1.4	158.194	3627	9325	2715	9325	2810	23	1.14E-03	GST11 - 3S □□□ 071C33 MDSKS□□ 071-33 180
2113	20	1.2	180.156	4043	9325	3092	9325	2695	20	1.13E-03	GST11 - 3S □□□ 071C33 MDSKS□□ 071-33 180
2440	17	1.1	207.778	4215	9325	3566	9325	2810	17	1.09E-03	GST11 - 3S □□□ 071C33 MDSKS□□ 071-33 180

Observe the notes for thermal dimensioning.

Selection tables - Helical gearboxes

Forced ventilated synchronous geared servo motors



M ₂ [Nm]	n ₂ trans [rpm]	c	i	M ₂ max short-time on geared motor at				M ₂ Gr gearbox c=1 n ₁ ≤ 1400 rpm [Nm]	n ₂ therm [rpm]	J _{GM} referred to motor shaft [kgm ²]	Servo helical- geared motor Dimensions on Page 3-99
				8 kHz		16 kHz					
				M ₂ max [Nm]	Type EVS	M ₂ max [Nm]	Type EVS				
12	2063	1.2	1.600	22	9324	17	9324	19	1718	6.27E-04	GST04 - 1S □□□ 071C03 MDFKS□□ 071-03 165
15	1612	1.2	2.048	28	9324	21	9324	23	1508	6.19E-04	GST04 - 1S □□□ 071C03 MDFKS□□ 071-03 165
17	1473	1.1	2.240	30	9324	23	9324	25	1445	6.17E-04	GST04 - 1S □□□ 071C03 MDFKS□□ 071-03 165
21	1117	1.4	2.956	39	9324	30	9324	39	848	6.34E-04	GST04 - 2S □□□ 071C03 MDFKS□□ 071-03 165
24	990	1.3	3.333	44	9324	34	9324	42	732	6.32E-04	GST04 - 2S □□□ 071C03 MDFKS□□ 071-03 165
29	814	1.2	4.053	54	9324	42	9324	45	662	6.31E-04	GST04 - 2S □□□ 071C03 MDFKS□□ 071-03 165
33	722	1.1	4.571	61	9324	47	9324	48	574	6.30E-04	GST04 - 2S □□□ 071C03 MDFKS□□ 071-03 165
38	636	1.0	5.187	69	9324	53	9324	50	565	6.22E-04	GST04 - 2S □□□ 071C03 MDFKS□□ 071-03 165
12	2063	2.9	1.600	22	9324	17	9324	45	1991	6.76E-04	GST05 - 1S □□□ 071C03 MDFKS□□ 071-03 165
15	1612	2.7	2.048	28	9324	21	9324	53	1612	6.55E-04	GST05 - 1S □□□ 071C03 MDFKS□□ 071-03 165
16	1473	2.5	2.240	30	9324	23	9324	53	1473	6.48E-04	GST05 - 1S □□□ 071C03 MDFKS□□ 071-03 165
21	1155	1.9	2.857	39	9324	30	9324	53	1155	6.35E-04	GST05 - 1S □□□ 071C03 MDFKS□□ 071-03 165
26	943	1.6	3.500	47	9324	37	9324	54	943	6.27E-04	GST05 - 1S □□□ 071C03 MDFKS□□ 071-03 165
34	724	1.2	4.556	61	9324	48	9324	54	724	6.18E-04	GST05 - 1S □□□ 071C03 MDFKS□□ 071-03 165
17	2250	1.9	1.600	34	9325	27	9325	45	1812	8.76E-04	GST05 - 1S □□□ 071C13 MDFKS□□ 071-13 180
22	1758	1.8	2.048	44	9325	35	9325	53	1500	8.55E-04	GST05 - 1S □□□ 071C13 MDFKS□□ 071-13 180
24	1607	1.6	2.240	48	9325	38	9325	53	1376	8.48E-04	GST05 - 1S □□□ 071C13 MDFKS□□ 071-13 180
31	1260	1.3	2.857	61	9325	48	9325	53	1140	8.35E-04	GST05 - 1S □□□ 071C13 MDFKS□□ 071-13 180
38	1029	1.1	3.500	75	9325	59	9325	54	983	8.27E-04	GST05 - 1S □□□ 071C13 MDFKS□□ 071-13 180
25	2188	1.3	1.600	38	9325	43	9326	45	1476	1.08E-03	GST05 - 1S □□□ 071C33 MDFKS□□ 071-33 175
33	1709	1.2	2.048	48	9325	56	9326	53	1259	1.05E-03	GST05 - 1S □□□ 071C33 MDFKS□□ 071-33 175
36	1563	1.1	2.240	53	9325	61	9326	53	1172	1.05E-03	GST05 - 1S □□□ 071C33 MDFKS□□ 071-33 175
21	1117	2.3	2.956	39	9324	30	9324	63	867	6.99E-04	GST05 - 2S □□□ 071C03 MDFKS□□ 071-03 165
24	990	2.5	3.333	44	9324	34	9324	78	785	6.94E-04	GST05 - 2S □□□ 071C03 MDFKS□□ 071-03 165
29	814	2.1	4.053	54	9324	42	9324	81	736	6.90E-04	GST05 - 2S □□□ 071C03 MDFKS□□ 071-03 165
33	722	2.1	4.571	61	9324	47	9324	91	652	6.86E-04	GST05 - 2S □□□ 071C03 MDFKS□□ 071-03 165
37	636	1.8	5.187	69	9324	53	9324	90	603	6.64E-04	GST05 - 2S □□□ 071C03 MDFKS□□ 071-03 165
42	564	1.8	5.850	78	9324	60	9324	101	534	6.61E-04	GST05 - 2S □□□ 071C03 MDFKS□□ 071-03 165
46	516	1.7	6.400	85	9324	66	9324	105	495	6.53E-04	GST05 - 2S □□□ 071C03 MDFKS□□ 071-03 165
52	456	1.6	7.238	96	9324	74	9324	108	456	6.40E-04	GST05 - 2S □□□ 071C03 MDFKS□□ 071-03 165
59	404	1.5	8.163	108	9324	84	9324	115	404	6.39E-04	GST05 - 2S □□□ 071C03 MDFKS□□ 071-03 165
65	366	1.4	9.010	120	9324	93	9324	119	304	6.54E-04	GST05 - 2S □□□ 071C03 MDFKS□□ 071-03 165
73	330	1.3	10.000	133	9324	103	9324	124	330	6.30E-04	GST05 - 2S □□□ 071C03 MDFKS□□ 071-03 165
81	295	1.2	11.200	149	9324	115	9324	128	241	6.46E-04	GST05 - 2S □□□ 071C03 MDFKS□□ 071-03 165

Observe the notes for thermal dimensioning.

Selection tables - Helical gearboxes

Forced ventilated synchronous geared servo motors

M ₂ [Nm]	n ₂ trans [rpm]	c	i	M ₂ max short-time on geared motor at				M ₂ Gr gearbox c=1 n ₁ ≤ 1400 rpm [Nm]	n ₂ therm [rpm]	J _{GM} referred to motor shaft [kgm ²]	Servo helical- geared motor Dimensions on Page 3-99
				8 kHz		16 kHz					
				M ₂ max [Nm]	Type EVS	M ₂ max [Nm]	Type EVS				
95	254	1.1	13.016	173	9324	134	9324	137	254	6.18E-04	GST05 - 2S □□□ 071C03 MDFKS□□ 071-03 165
104	230	1.0	14.356	191	9324	148	9324	140	230	6.13E-04	GST05 - 2S □□□ 071C03 MDFKS□□ 071-03 165
118	204	1.1	16.190	215	9324	166	9324	148	204	6.13E-04	GST05 - 2S □□□ 071C03 MDFKS□□ 071-03 165
31	1218	1.5	2.956	63	9325	49	9325	63	723	8.99E-04	GST05 - 2S □□□ 071C13 MDFKS□□ 071-13 180
35	1080	1.6	3.333	71	9325	56	9325	78	673	8.94E-04	GST05 - 2S □□□ 071C13 MDFKS□□ 071-13 180
43	888	1.4	4.053	86	9325	68	9325	81	601	8.90E-04	GST05 - 2S □□□ 071C13 MDFKS□□ 071-13 180
49	788	1.4	4.571	97	9325	76	9325	91	532	8.86E-04	GST05 - 2S □□□ 071C13 MDFKS□□ 071-13 180
55	694	1.2	5.187	110	9325	86	9325	90	497	8.64E-04	GST05 - 2S □□□ 071C13 MDFKS□□ 071-13 180
62	615	1.2	5.850	124	9325	98	9325	101	441	8.61E-04	GST05 - 2S □□□ 071C13 MDFKS□□ 071-13 180
68	563	1.1	6.400	136	9325	107	9325	105	414	8.53E-04	GST05 - 2S □□□ 071C13 MDFKS□□ 071-13 180
77	497	1.0	7.238	153	9325	121	9325	108	413	8.40E-04	GST05 - 2S □□□ 071C13 MDFKS□□ 071-13 180
46	1184	1.0	2.956	69	9325	79	9326	63	605	1.10E-03	GST05 - 2S □□□ 071C33 MDFKS□□ 071-33 175
52	1050	1.1	3.333	78	9325	89	9326	78	558	1.09E-03	GST05 - 2S □□□ 071C33 MDFKS□□ 071-33 175
15	1612	3.7	2.048	28	9324	21	9324	72	1577	7.46E-04	GST06 - 1S □□□ 071C03 MDFKS□□ 071-03 165
16	1473	3.6	2.240	30	9324	23	9324	79	1473	7.27E-04	GST06 - 1S □□□ 071C03 MDFKS□□ 071-03 165
21	1155	3.4	2.857	39	9324	30	9324	92	1155	6.97E-04	GST06 - 1S □□□ 071C03 MDFKS□□ 071-03 165
25	943	3.1	3.500	47	9324	37	9324	105	943	6.74E-04	GST06 - 1S □□□ 071C03 MDFKS□□ 071-03 165
33	724	2.4	4.556	61	9324	48	9324	105	724	6.48E-04	GST06 - 1S □□□ 071C03 MDFKS□□ 071-03 165
41	582	1.9	5.667	76	9324	59	9324	105	582	6.36E-04	GST06 - 1S □□□ 071C03 MDFKS□□ 071-03 165
54	450	1.4	7.333	99	9324	77	9324	100	450	6.23E-04	GST06 - 1S □□□ 071C03 MDFKS□□ 071-03 165
22	1758	2.4	2.048	44	9325	35	9325	72	1449	9.46E-04	GST06 - 1S □□□ 071C13 MDFKS□□ 071-13 180
24	1607	2.4	2.240	48	9325	38	9325	79	1370	9.27E-04	GST06 - 1S □□□ 071C13 MDFKS□□ 071-13 180
31	1260	2.2	2.857	61	9325	48	9325	92	1177	8.97E-04	GST06 - 1S □□□ 071C13 MDFKS□□ 071-13 180
38	1029	2.1	3.500	75	9325	59	9325	105	1029	8.74E-04	GST06 - 1S □□□ 071C13 MDFKS□□ 071-13 180
49	790	1.6	4.556	98	9325	77	9325	105	790	8.48E-04	GST06 - 1S □□□ 071C13 MDFKS□□ 071-13 180
61	635	1.3	5.667	122	9325	96	9325	105	635	8.36E-04	GST06 - 1S □□□ 071C13 MDFKS□□ 071-13 180
32	1709	1.7	2.048	48	9325	56	9326	72	1253	1.15E-03	GST06 - 1S □□□ 071C33 MDFKS□□ 071-33 175
36	1563	1.7	2.240	53	9325	61	9326	79	1189	1.13E-03	GST06 - 1S □□□ 071C33 MDFKS□□ 071-33 175
45	1225	1.5	2.857	68	9325	78	9326	92	1013	1.10E-03	GST06 - 1S □□□ 071C33 MDFKS□□ 071-33 175
56	1000	1.4	3.500	83	9325	95	9326	105	928	1.07E-03	GST06 - 1S □□□ 071C33 MDFKS□□ 071-33 175
73	768	1.1	4.556	108	9325	124	9326	105	756	1.05E-03	GST06 - 1S □□□ 071C33 MDFKS□□ 071-33 175
37	620	4.1	5.324	71	9324	55	9324	207	620	7.76E-04	GST06 - 2S □□□ 071C03 MDFKS□□ 071-03 165
41	564	4.0	5.850	78	9324	60	9324	222	561	7.71E-04	GST06 - 2S □□□ 071C03 MDFKS□□ 071-03 165
45	516	3.8	6.400	85	9324	66	9324	229	516	7.47E-04	GST06 - 2S □□□ 071C03 MDFKS□□ 071-03 165

Observe the notes for thermal dimensioning.

Selection tables - Helical gearboxes

Forced ventilated synchronous geared servo motors



M ₂ [Nm]	n ₂ trans [rpm]	c	i	M ₂ max short-time on geared motor at				M ₂ Gr gearbox c=1 n ₁ ≤ 1400 rpm [Nm]	n ₂ therm [rpm]	J _{GM} referred to motor shaft [kgm ²]	Servo helical- geared motor Dimensions on Page 3-99
				8 kHz		16 kHz					
				M ₂ max [Nm]	Type EVS	M ₂ max [Nm]	Type EVS				
58	404	3.3	8.163	108	9324	84	9324	252	404	7.06E-04	GST06 - 2S □□□ 071C03 MDFKS□□ 071-03 165
64	366	3.1	9.010	120	9324	93	9324	261	345	7.50E-04	GST06 - 2S □□□ 071C03 MDFKS□□ 071-03 165
71	330	2.8	10.000	133	9324	103	9324	269	330	6.82E-04	GST06 - 2S □□□ 071C03 MDFKS□□ 071-03 165
80	295	2.6	11.200	149	9324	115	9324	280	279	7.26E-04	GST06 - 2S □□□ 071C03 MDFKS□□ 071-03 165
90	263	2.5	12.571	167	9324	129	9324	295	263	6.96E-04	GST06 - 2S □□□ 071C03 MDFKS□□ 071-03 165
103	231	2.3	14.286	190	9324	147	9324	307	231	6.93E-04	GST06 - 2S □□□ 071C03 MDFKS□□ 071-03 165
110	214	2.5	15.400	204	9324	158	9324	318	214	6.75E-04	GST06 - 2S □□□ 071C03 MDFKS□□ 071-03 165
126	189	2.1	17.500	232	9324	180	9324	313	189	6.73E-04	GST06 - 2S □□□ 071C03 MDFKS□□ 071-03 165
144	165	2.1	20.044	266	9324	206	9324	350	165	6.46E-04	GST06 - 2S □□□ 071C03 MDFKS□□ 071-03 165
165	145	1.7	22.778	302	9324	234	9324	315	145	6.45E-04	GST06 - 2S □□□ 071C03 MDFKS□□ 071-03 165
180	132	1.7	24.933	331	9324	256	9324	360	132	6.33E-04	GST06 - 2S □□□ 071C03 MDFKS□□ 071-03 165
205	116	1.3	28.333	376	9324	291	9324	317	116	6.33E-04	GST06 - 2S □□□ 071C03 MDFKS□□ 071-03 165
234	102	1.4	32.267	428	9324	332	9324	363	102	6.22E-04	GST06 - 2S □□□ 071C03 MDFKS□□ 071-03 165
267	90	1.1	36.667	483	9324	377	9324	322	90	6.22E-04	GST06 - 2S □□□ 071C03 MDFKS□□ 071-03 165
285	84	1.1	39.160	520	9324	402	9324	368	84	6.16E-04	GST06 - 2S □□□ 071C03 MDFKS□□ 071-03 165
56	676	2.7	5.324	113	9325	89	9325	207	571	9.76E-04	GST06 - 2S □□□ 071C13 MDFKS□□ 071-13 180
61	615	2.7	5.850	124	9325	98	9325	222	516	9.71E-04	GST06 - 2S □□□ 071C13 MDFKS□□ 071-13 180
67	563	2.5	6.400	136	9325	107	9325	229	483	9.47E-04	GST06 - 2S □□□ 071C13 MDFKS□□ 071-13 180
86	441	2.2	8.163	173	9325	136	9325	252	409	9.06E-04	GST06 - 2S □□□ 071C13 MDFKS□□ 071-13 180
95	400	2.0	9.010	191	9325	150	9325	261	316	9.50E-04	GST06 - 2S □□□ 071C13 MDFKS□□ 071-13 180
106	360	1.9	10.000	212	9325	167	9325	269	360	8.82E-04	GST06 - 2S □□□ 071C13 MDFKS□□ 071-13 180
119	321	1.8	11.200	237	9325	187	9325	280	245	9.26E-04	GST06 - 2S □□□ 071C13 MDFKS□□ 071-13 180
133	286	1.6	12.571	266	9325	209	9325	295	238	8.96E-04	GST06 - 2S □□□ 071C13 MDFKS□□ 071-13 180
152	252	1.5	14.286	302	9325	238	9325	307	201	8.93E-04	GST06 - 2S □□□ 071C13 MDFKS□□ 071-13 180
163	234	1.6	15.400	326	9325	257	9325	318	228	8.75E-04	GST06 - 2S □□□ 071C13 MDFKS□□ 071-13 180
186	206	1.4	17.500	371	9325	292	9325	313	186	8.73E-04	GST06 - 2S □□□ 071C13 MDFKS□□ 071-13 180
213	180	1.4	20.044	424	9325	334	9325	350	180	8.46E-04	GST06 - 2S □□□ 071C13 MDFKS□□ 071-13 180
243	158	1.1	22.778	473	9325	379	9325	315	152	8.45E-04	GST06 - 2S □□□ 071C13 MDFKS□□ 071-13 180
266	144	1.1	24.933	528	9325	415	9325	360	144	8.33E-04	GST06 - 2S □□□ 071C13 MDFKS□□ 071-13 180
83	657	1.9	5.324	124	9325	142	9326	207	515	1.18E-03	GST06 - 2S □□□ 071C33 MDFKS□□ 071-33 175
91	598	1.8	5.850	136	9325	156	9326	222	461	1.17E-03	GST06 - 2S □□□ 071C33 MDFKS□□ 071-33 175
100	547	1.7	6.400	149	9325	171	9326	229	425	1.15E-03	GST06 - 2S □□□ 071C33 MDFKS□□ 071-33 175
128	429	1.5	8.163	190	9325	218	9326	252	349	1.11E-03	GST06 - 2S □□□ 071C33 MDFKS□□ 071-33 175
141	388	1.4	9.010	210	9325	241	9326	261	257	1.15E-03	GST06 - 2S □□□ 071C33 MDFKS□□ 071-33 175

Observe the notes for thermal dimensioning.

Selection tables - Helical gearboxes

Forced ventilated synchronous geared servo motors

M ₂ [Nm]	n ₂ trans [rpm]	c	i	M ₂ max short-time on geared motor at				M ₂ Gr gearbox c=1 n ₁ ≤ 1400 rpm [Nm]	n ₂ therm [rpm]	J _{GM} referred to motor shaft [kgm ²]	Servo helical- geared motor Dimensions on Page 3-99
				8 kHz		16 kHz					
				M ₂ max [Nm]	Type EVS	M ₂ max [Nm]	Type EVS				
157	350	1.3	10.000	233	9325	267	9326	269	311	1.08E-03	GST06 - 2S □□□ 071C33 MDFKS□□ 071-33 175
176	313	1.2	11.200	261	9325	299	9326	280	202	1.13E-03	GST06 - 2S □□□ 071C33 MDFKS□□ 071-33 175
197	278	1.1	12.571	293	9325	336	9326	295	202	1.10E-03	GST06 - 2S □□□ 071C33 MDFKS□□ 071-33 175
224	245	1.0	14.286	333	9325	382	9326	307	172	1.09E-03	GST06 - 2S □□□ 071C33 MDFKS□□ 071-33 175
242	227	1.1	15.400	358	9325	412	9326	318	190	1.07E-03	GST06 - 2S □□□ 071C33 MDFKS□□ 071-33 175
315	75	1.0	44.000	503	9324	445	9324	335	75	6.20E-04	GST06 - 3S □□□ 071C03 MDFKS□□ 071-03 165
20	1155	4.3	2.857	39	9324	30	9324	118	1155	8.69E-04	GST07 - 1S □□□ 071C03 MDFKS□□ 071-03 165
33	724	3.4	4.556	61	9324	48	9324	150	724	7.37E-04	GST07 - 1S □□□ 071C03 MDFKS□□ 071-03 165
40	591	2.9	5.583	75	9324	58	9324	156	591	7.05E-04	GST07 - 1S □□□ 071C03 MDFKS□□ 071-03 165
53	450	2.3	7.333	99	9324	77	9324	161	450	6.66E-04	GST07 - 1S □□□ 071C03 MDFKS□□ 071-03 165
65	371	1.9	8.900	120	9324	93	9324	164	371	6.49E-04	GST07 - 1S □□□ 071C03 MDFKS□□ 071-03 165
83	293	1.3	11.250	152	9324	117	9324	136	293	6.32E-04	GST07 - 1S □□□ 071C03 MDFKS□□ 071-03 165
30	1260	2.9	2.857	61	9325	48	9325	118	1081	1.07E-03	GST07 - 1S □□□ 071C13 MDFKS□□ 071-13 180
49	790	2.3	4.556	98	9325	77	9325	150	790	9.37E-04	GST07 - 1S □□□ 071C13 MDFKS□□ 071-13 180
60	645	1.9	5.583	120	9325	94	9325	156	645	9.05E-04	GST07 - 1S □□□ 071C13 MDFKS□□ 071-13 180
79	491	1.5	7.333	158	9325	124	9325	161	491	8.66E-04	GST07 - 1S □□□ 071C13 MDFKS□□ 071-13 180
96	404	1.3	8.900	191	9325	151	9325	164	404	8.49E-04	GST07 - 1S □□□ 071C13 MDFKS□□ 071-13 180
45	1225	2.0	2.857	68	9325	78	9326	118	995	1.27E-03	GST07 - 1S □□□ 071C33 MDFKS□□ 071-33 175
72	768	1.6	4.556	108	9325	124	9326	150	742	1.14E-03	GST07 - 1S □□□ 071C33 MDFKS□□ 071-33 175
89	627	1.3	5.583	132	9325	152	9326	156	627	1.11E-03	GST07 - 1S □□□ 071C33 MDFKS□□ 071-33 175
117	477	1.0	7.333	173	9325	199	9326	161	477	1.07E-03	GST07 - 1S □□□ 071C33 MDFKS□□ 071-33 175
88	263	4.3	12.571	167	9324	129	9324	513	263	8.86E-04	GST07 - 2S □□□ 071C03 MDFKS□□ 071-03 165
100	231	4.3	14.286	190	9324	147	9324	583	231	8.79E-04	GST07 - 2S □□□ 071C03 MDFKS□□ 071-03 165
142	165	3.9	20.044	266	9324	206	9324	650	165	7.38E-04	GST07 - 2S □□□ 071C03 MDFKS□□ 071-03 165
161	145	3.6	22.778	302	9324	234	9324	682	145	7.35E-04	GST07 - 2S □□□ 071C03 MDFKS□□ 071-03 165
175	134	3.3	24.567	326	9324	252	9324	677	134	7.02E-04	GST07 - 2S □□□ 071C03 MDFKS□□ 071-03 165
199	118	3.0	27.917	371	9324	287	9324	691	118	7.01E-04	GST07 - 2S □□□ 071C03 MDFKS□□ 071-03 165
231	102	2.6	32.267	428	9324	332	9324	698	102	6.66E-04	GST07 - 2S □□□ 071C03 MDFKS□□ 071-03 165
263	90	2.3	36.667	487	9324	377	9324	702	90	6.65E-04	GST07 - 2S □□□ 071C03 MDFKS□□ 071-03 165
282	84	2.2	39.160	520	9324	402	9324	706	84	6.49E-04	GST07 - 2S □□□ 071C03 MDFKS□□ 071-03 165
320	74	2.1	44.500	591	9324	457	9324	707	74	6.48E-04	GST07 - 2S □□□ 071C03 MDFKS□□ 071-03 165
358	67	1.6	49.500	657	9324	509	9324	600	67	6.33E-04	GST07 - 2S □□□ 071C03 MDFKS□□ 071-03 165
407	59	1.6	56.250	747	9324	578	9324	688	59	6.33E-04	GST07 - 2S □□□ 071C03 MDFKS□□ 071-03 165
132	286	2.9	12.571	266	9325	209	9325	513	246	1.09E-03	GST07 - 2S □□□ 071C13 MDFKS□□ 071-13 180

Observe the notes for thermal dimensioning.

Selection tables - Helical gearboxes

Forced ventilated synchronous geared servo motors



M ₂ [Nm]	n _{2 trans} [rpm]	c	i	M _{2 max} short-time on geared motor at				M _{2 Gr} gearbox c=1 n ₁ ≤ 1400 rpm [Nm]	n _{2 therm} [rpm]	J _{GM} referred to motor shaft [kgm ²]	Servo helical-geared motor Dimensions on Page 3-99
				8 kHz		16 kHz					
				M _{2 max} [Nm]	Type EVS	M _{2 max} [Nm]	Type EVS				
150	252	2.9	14.286	302	9325	238	9325	583	216	1.08E-03	GST07 - 2S □□□ 071C13 MDFKS□□ 071-13 180
210	180	2.6	20.044	424	9325	334	9325	650	180	9.38E-04	GST07 - 2S □□□ 071C13 MDFKS□□ 071-13 180
240	158	2.4	22.778	482	9325	379	9325	682	158	9.35E-04	GST07 - 2S □□□ 071C13 MDFKS□□ 071-13 180
259	147	2.2	24.567	520	9325	409	9325	677	147	9.02E-04	GST07 - 2S □□□ 071C13 MDFKS□□ 071-13 180
295	129	2.0	27.917	591	9325	465	9325	691	129	9.01E-04	GST07 - 2S □□□ 071C13 MDFKS□□ 071-13 180
342	112	1.7	32.267	683	9325	538	9325	698	112	8.66E-04	GST07 - 2S □□□ 071C13 MDFKS□□ 071-13 180
389	98	1.5	36.667	776	9325	611	9325	702	98	8.65E-04	GST07 - 2S □□□ 071C13 MDFKS□□ 071-13 180
416	92	1.4	39.160	829	9325	652	9325	706	92	8.49E-04	GST07 - 2S □□□ 071C13 MDFKS□□ 071-13 180
473	81	1.4	44.500	942	9325	741	9325	707	81	8.48E-04	GST07 - 2S □□□ 071C13 MDFKS□□ 071-13 180
528	73	1.1	49.500	900	9325	825	9325	600	73	8.33E-04	GST07 - 2S □□□ 071C13 MDFKS□□ 071-13 180
600	64	1.1	56.250	1032	9325	937	9325	688	64	8.33E-04	GST07 - 2S □□□ 071C13 MDFKS□□ 071-13 180
196	278	2.0	12.571	293	9325	336	9326	513	226	1.29E-03	GST07 - 2S □□□ 071C33 MDFKS□□ 071-33 175
222	245	2.0	14.286	333	9325	382	9326	583	199	1.28E-03	GST07 - 2S □□□ 071C33 MDFKS□□ 071-33 175
313	175	1.8	20.044	467	9325	536	9326	650	175	1.14E-03	GST07 - 2S □□□ 071C33 MDFKS□□ 071-33 175
356	154	1.6	22.778	530	9325	609	9326	682	152	1.14E-03	GST07 - 2S □□□ 071C33 MDFKS□□ 071-33 175
384	142	1.5	24.567	572	9325	657	9326	677	142	1.10E-03	GST07 - 2S □□□ 071C33 MDFKS□□ 071-33 175
437	125	1.3	27.917	650	9325	746	9326	691	125	1.10E-03	GST07 - 2S □□□ 071C33 MDFKS□□ 071-33 175
506	108	1.2	32.267	751	9325	863	9326	698	108	1.07E-03	GST07 - 2S □□□ 071C33 MDFKS□□ 071-33 175
576	95	1.0	36.667	853	9325	980	9326	702	95	1.07E-03	GST07 - 2S □□□ 071C33 MDFKS□□ 071-33 175
278	84	2.2	39.200	513	9324	397	9324	692	84	6.97E-04	GST07 - 3S □□□ 071C03 MDFKS□□ 071-03 165
312	75	2.2	44.000	575	9324	445	9324	706	75	6.53E-04	GST07 - 3S □□□ 071C03 MDFKS□□ 071-03 165
362	65	1.9	51.022	667	9324	516	9324	700	65	6.84E-04	GST07 - 3S □□□ 071C03 MDFKS□□ 071-03 165
383	61	1.8	53.900	705	9324	546	9324	706	61	6.48E-04	GST07 - 3S □□□ 071C03 MDFKS□□ 071-03 165
464	51	1.5	65.079	851	9324	659	9324	707	51	6.31E-04	GST07 - 3S □□□ 071C03 MDFKS□□ 071-03 165
501	47	1.4	70.156	917	9324	710	9324	706	47	6.43E-04	GST07 - 3S □□□ 071C03 MDFKS□□ 071-03 165
570	41	1.2	79.762	1043	9324	807	9324	710	41	6.54E-04	GST07 - 3S □□□ 071C03 MDFKS□□ 071-03 165
616	38	1.1	85.983	1059	9324	870	9324	706	38	6.40E-04	GST07 - 3S □□□ 071C03 MDFKS□□ 071-03 165
410	92	1.4	39.200	817	9325	643	9325	692	92	8.97E-04	GST07 - 3S □□□ 071C13 MDFKS□□ 071-13 180
460	82	1.4	44.000	918	9325	722	9325	706	82	8.53E-04	GST07 - 3S □□□ 071C13 MDFKS□□ 071-13 180
535	71	1.2	51.022	1050	9325	837	9325	700	69	8.84E-04	GST07 - 3S □□□ 071C13 MDFKS□□ 071-13 180
566	67	1.2	53.900	1059	9325	884	9325	706	67	8.48E-04	GST07 - 3S □□□ 071C13 MDFKS□□ 071-13 180
278	82	4.1	40.136	525	9324	406	9324	1344	82	8.14E-04	GST09 - 3S □□□ 071C03 MDFKS□□ 071-03 165
300	76	4.0	43.267	566	9324	438	9324	1290	76	7.55E-04	GST09 - 3S □□□ 071C03 MDFKS□□ 071-03 165
341	67	4.0	49.167	643	9324	498	9324	1466	67	7.53E-04	GST09 - 3S □□□ 071C03 MDFKS□□ 071-03 165

Observe the notes for thermal dimensioning.

Selection tables - Helical gearboxes

Forced ventilated synchronous geared servo motors

M ₂ [Nm]	n ₂ trans [rpm]	c	i	M ₂ max short-time on geared motor at				M ₂ Gr gearbox c=1 n ₁ ≤ 1400 rpm [Nm]	n ₂ therm [rpm]	J _{GM} referred to motor shaft [kgm ²]	Servo helical- geared motor Dimensions on Page 3-99
				8 kHz		16 kHz					
				M ₂ max [Nm]	Type EVS	M ₂ max [Nm]	Type EVS				
370	62	3.5	53.044	694	9324	537	9324	1379	62	7.38E-04	GST09 - 3S □□□ 071C03 MDFKS□□ 071-03 165
421	55	3.5	60.278	788	9324	610	9324	1565	55	7.37E-04	GST09 - 3S □□□ 071C03 MDFKS□□ 071-03 165
506	46	2.8	71.867	940	9324	727	9324	1477	46	7.17E-04	GST09 - 3S □□□ 071C03 MDFKS□□ 071-03 165
575	40	2.6	81.667	1068	9324	827	9324	1584	40	7.16E-04	GST09 - 3S □□□ 071C03 MDFKS□□ 071-03 165
661	35	2.3	93.541	1223	9324	947	9324	1613	35	6.71E-04	GST09 - 3S □□□ 071C03 MDFKS□□ 071-03 165
702	33	2.2	99.167	1297	9324	1004	9324	1596	33	7.07E-04	GST09 - 3S □□□ 071C03 MDFKS□□ 071-03 165
806	29	1.9	113.585	1485	9324	1150	9324	1613	29	6.65E-04	GST09 - 3S □□□ 071C03 MDFKS□□ 071-03 165
918	26	1.7	129.074	1688	9324	1306	9324	1612	26	6.65E-04	GST09 - 3S □□□ 071C03 MDFKS□□ 071-03 165
1007	23	1.5	141.289	1847	9324	1430	9324	1613	23	6.46E-04	GST09 - 3S □□□ 071C03 MDFKS□□ 071-03 165
1146	21	1.4	160.556	2099	9324	1625	9324	1623	21	6.46E-04	GST09 - 3S □□□ 071C03 MDFKS□□ 071-03 165
1308	18	1.2	182.844	2390	9324	1851	9324	1613	18	6.30E-04	GST09 - 3S □□□ 071C03 MDFKS□□ 071-03 165
1488	16	1.1	207.778	2435	9324	2103	9324	1623	16	6.30E-04	GST09 - 3S □□□ 071C03 MDFKS□□ 071-03 165
414	90	2.7	40.136	837	9325	659	9325	1344	90	1.01E-03	GST09 - 3S □□□ 071C13 MDFKS□□ 071-13 180
447	83	2.7	43.267	902	9325	710	9325	1290	83	9.55E-04	GST09 - 3S □□□ 071C13 MDFKS□□ 071-13 180
508	73	2.7	49.167	1025	9325	807	9325	1466	73	9.53E-04	GST09 - 3S □□□ 071C13 MDFKS□□ 071-13 180
550	68	2.3	53.044	1106	9325	870	9325	1379	68	9.38E-04	GST09 - 3S □□□ 071C13 MDFKS□□ 071-13 180
625	60	2.3	60.278	1257	9325	989	9325	1565	60	9.37E-04	GST09 - 3S □□□ 071C13 MDFKS□□ 071-13 180
749	50	1.8	71.867	1499	9325	1179	9325	1477	50	9.17E-04	GST09 - 3S □□□ 071C13 MDFKS□□ 071-13 180
852	44	1.7	81.667	1703	9325	1340	9325	1584	44	9.16E-04	GST09 - 3S □□□ 071C13 MDFKS□□ 071-13 180
978	38	1.5	93.541	1951	9325	1535	9325	1613	38	8.71E-04	GST09 - 3S □□□ 071C13 MDFKS□□ 071-13 180
1038	36	1.4	99.167	2068	9325	1627	9325	1596	36	9.07E-04	GST09 - 3S □□□ 071C13 MDFKS□□ 071-13 180
1191	32	1.3	113.585	2369	9325	1864	9325	1613	32	8.65E-04	GST09 - 3S □□□ 071C13 MDFKS□□ 071-13 180
1355	28	1.1	129.074	2418	9325	2118	9325	1612	28	8.65E-04	GST09 - 3S □□□ 071C13 MDFKS□□ 071-13 180
1485	25	1.0	141.289	2420	9325	2318	9325	1613	25	8.46E-04	GST09 - 3S □□□ 071C13 MDFKS□□ 071-13 180
616	87	1.9	40.136	920	9325	1057	9326	1344	87	1.21E-03	GST09 - 3S □□□ 071C33 MDFKS□□ 071-33 175
664	81	1.8	43.267	992	9325	1139	9326	1290	81	1.16E-03	GST09 - 3S □□□ 071C33 MDFKS□□ 071-33 175
755	71	1.8	49.167	1127	9325	1295	9326	1466	71	1.15E-03	GST09 - 3S □□□ 071C33 MDFKS□□ 071-33 175
816	66	1.6	53.044	1216	9325	1397	9326	1379	66	1.14E-03	GST09 - 3S □□□ 071C33 MDFKS□□ 071-33 175
927	58	1.6	60.278	1382	9325	1587	9326	1565	58	1.14E-03	GST09 - 3S □□□ 071C33 MDFKS□□ 071-33 175
1110	49	1.3	71.867	1648	9325	1892	9326	1477	49	1.12E-03	GST09 - 3S □□□ 071C33 MDFKS□□ 071-33 175
1262	43	1.2	81.667	1872	9325	2150	9326	1584	43	1.12E-03	GST09 - 3S □□□ 071C33 MDFKS□□ 071-33 175
1447	37	1.1	93.541	2145	9325	2420	9326	1613	37	1.07E-03	GST09 - 3S □□□ 071C33 MDFKS□□ 071-33 175
281	81	4.9	40.816	534	9324	413	9324	1641	81	1.24E-03	GST11 - 3S □□□ 071C03 MDFKS□□ 071-03 165
301	75	5.4	44.000	575	9324	445	9324	1769	75	1.17E-03	GST11 - 3S □□□ 071C03 MDFKS□□ 071-03 165

Observe the notes for thermal dimensioning.

Selection tables - Helical gearboxes

Forced ventilated synchronous geared servo motors



M ₂ [Nm]	n _{2 trans} [rpm]	c	i	M _{2 max} short-time on geared motor at				M _{2 Gr} gearbox c=1 n ₁ ≤ 1400 rpm [Nm]	n _{2 therm} [rpm]	J _{GM} referred to motor shaft [kgm ²]	Servo helical- geared motor Dimensions on Page 3-99
				8 kHz		16 kHz					
				M _{2 max} [Nm]	Type EVS	M _{2 max} [Nm]	Type EVS				
342	66	5.4	50.000	654	9324	506	9324	2010	66	1.16E-03	GST11 - 3S □□□ 071C03 MDFKS□□ 071-03 165
396	57	5.4	57.968	758	9324	587	9324	2331	57	1.08E-03	GST11 - 3S □□□ 071C03 MDFKS□□ 071-03 165
906	26	2.9	129.074	1688	9324	1306	9324	2810	26	7.94E-04	GST11 - 3S □□□ 071C03 MDFKS□□ 071-03 165
1037	22	2.5	146.993	1922	9324	1488	9324	2695	22	7.77E-04	GST11 - 3S □□□ 071C03 MDFKS□□ 071-03 165
1117	21	2.4	158.194	2068	9324	1601	9324	2810	21	7.40E-04	GST11 - 3S □□□ 071C03 MDFKS□□ 071-03 165
1277	18	2.0	180.156	2355	9324	1823	9324	2695	18	7.29E-04	GST11 - 3S □□□ 071C03 MDFKS□□ 071-03 165
1476	16	1.8	207.778	2716	9324	2103	9324	2810	16	6.88E-04	GST11 - 3S □□□ 071C03 MDFKS□□ 071-03 165
1686	14	1.5	236.622	3094	9324	2395	9324	2695	14	6.82E-04	GST11 - 3S □□□ 071C03 MDFKS□□ 071-03 165
1798	13	1.5	252.167	3297	9324	2552	9324	2810	13	6.63E-04	GST11 - 3S □□□ 071C03 MDFKS□□ 071-03 165
1919	12	1.4	268.889	3515	9324	2721	9324	2848	12	6.82E-04	GST11 - 3S □□□ 071C03 MDFKS□□ 071-03 165
2335	10	1.2	326.333	4266	9324	3303	9324	2848	10	6.59E-04	GST11 - 3S □□□ 071C03 MDFKS□□ 071-03 165
2602	9.1	1.0	363.000	4043	9324	3674	9324	2695	9.1	6.76E-04	GST11 - 3S □□□ 071C03 MDFKS□□ 071-03 165
419	88	3.2	40.816	851	9325	670	9325	1641	88	1.44E-03	GST11 - 3S □□□ 071C13 MDFKS□□ 071-13 180
450	82	3.6	44.000	918	9325	722	9325	1769	82	1.37E-03	GST11 - 3S □□□ 071C13 MDFKS□□ 071-13 180
511	72	3.6	50.000	1043	9325	820	9325	2010	72	1.36E-03	GST11 - 3S □□□ 071C13 MDFKS□□ 071-13 180
593	62	3.6	57.968	1209	9325	951	9325	2331	62	1.28E-03	GST11 - 3S □□□ 071C13 MDFKS□□ 071-13 180
1343	28	1.9	129.074	2692	9325	2118	9325	2810	28	9.94E-04	GST11 - 3S □□□ 071C13 MDFKS□□ 071-13 180
1535	24	1.6	146.993	3065	9325	2412	9325	2695	24	9.77E-04	GST11 - 3S □□□ 071C13 MDFKS□□ 071-13 180
1653	23	1.6	158.194	3299	9325	2596	9325	2810	23	9.40E-04	GST11 - 3S □□□ 071C13 MDFKS□□ 071-13 180
1887	20	1.3	180.156	3757	9325	2956	9325	2695	20	9.29E-04	GST11 - 3S □□□ 071C13 MDFKS□□ 071-13 180
2179	17	1.2	207.778	4215	9325	3409	9325	2810	17	8.88E-04	GST11 - 3S □□□ 071C13 MDFKS□□ 071-13 180
2487	15	1.0	236.622	4043	9325	3883	9325	2695	15	8.82E-04	GST11 - 3S □□□ 071C13 MDFKS□□ 071-13 180
624	86	2.2	40.816	936	9325	1075	9326	1641	86	1.64E-03	GST11 - 3S □□□ 071C33 MDFKS□□ 071-33 175
671	80	2.5	44.000	1009	9325	1159	9326	1769	80	1.57E-03	GST11 - 3S □□□ 071C33 MDFKS□□ 071-33 175
762	70	2.5	50.000	1146	9325	1316	9326	2010	70	1.56E-03	GST11 - 3S □□□ 071C33 MDFKS□□ 071-33 175
884	60	2.5	57.968	1329	9325	1526	9326	2331	60	1.48E-03	GST11 - 3S □□□ 071C33 MDFKS□□ 071-33 175
1991	27	1.3	129.074	2959	9325	3398	9326	2810	27	1.19E-03	GST11 - 3S □□□ 071C33 MDFKS□□ 071-33 175
2273	24	1.1	146.993	3370	9325	3870	9326	2695	24	1.18E-03	GST11 - 3S □□□ 071C33 MDFKS□□ 071-33 175
2447	22	1.1	158.194	3627	9325	4165	9326	2810	22	1.14E-03	GST11 - 3S □□□ 071C33 MDFKS□□ 071-33 175

Observe the notes for thermal dimensioning.

Selection tables - Helical gearboxes

Naturally ventilated asynchronous geared servo motors

M ₂ [Nm]	n ₂ trans [rpm]	c	i	M ₂ max short-time on geared motor at				M ₂ Gr gearbox c=1 n ₁ ≤ 1400 rpm [Nm]	n ₂ therm [rpm]	J _{GM} referred to motor shaft [kgm ²]	Servo helical- geared motor Dimensions on Page 3-99
				8 kHz		16 kHz					
				M ₂ max [Nm]	Type EVS	M ₂ max [Nm]	Type EVS				
3	2469	4.4	1.600	7	9322	8	9323	19	2439	2.67E-04	GST04 - 1A □□□ 056C22 MDSKA□□ 056-22 140
4	1929	4.1	2.048	9	9322	11	9323	23	1929	2.59E-04	GST04 - 1A □□□ 056C22 MDSKA□□ 056-22 140
4	1763	4.1	2.240	10	9322	12	9323	25	1763	2.57E-04	GST04 - 1A □□□ 056C22 MDSKA□□ 056-22 140
6	1383	3.2	2.857	13	9322	15	9323	25	1383	2.53E-04	GST04 - 1A □□□ 056C22 MDSKA□□ 056-22 140
7	1129	2.6	3.500	15	9322	18	9323	25	1129	2.50E-04	GST04 - 1A □□□ 056C22 MDSKA□□ 056-22 140
9	898	2.1	4.400	19	9322	23	9323	25	898	2.47E-04	GST04 - 1A □□□ 056C22 MDSKA□□ 056-22 140
11	697	1.6	5.667	25	9322	30	9323	25	697	2.45E-04	GST04 - 1A □□□ 056C22 MDSKA□□ 056-22 140
6	2531	2.2	1.600	20	9324	15	9324	19	2159	8.57E-04	GST04 - 1A □□□ 071C22 MDSKA□□ 071-22 140
8	1978	2.0	2.048	25	9324	19	9324	23	1966	8.49E-04	GST04 - 1A □□□ 071C22 MDSKA□□ 071-22 140
9	1808	2.0	2.240	28	9324	20	9324	25	1808	8.47E-04	GST04 - 1A □□□ 071C22 MDSKA□□ 071-22 140
11	1418	1.6	2.857	36	9324	26	9324	25	1418	8.43E-04	GST04 - 1A □□□ 071C22 MDSKA□□ 071-22 140
14	1157	1.3	3.500	38	9324	32	9324	25	1157	8.40E-04	GST04 - 1A □□□ 071C22 MDSKA□□ 071-22 140
6	1336	4.9	2.956	13	9322	15	9323	39	1218	2.74E-04	GST04 - 2A □□□ 056C22 MDSKA□□ 056-22 140
6	1185	4.7	3.333	14	9322	17	9323	42	1070	2.72E-04	GST04 - 2A □□□ 056C22 MDSKA□□ 056-22 140
8	975	4.1	4.053	18	9322	21	9323	45	953	2.71E-04	GST04 - 2A □□□ 056C22 MDSKA□□ 056-22 140
9	864	3.9	4.571	20	9322	24	9323	48	837	2.70E-04	GST04 - 2A □□□ 056C22 MDSKA□□ 056-22 140
10	761	3.6	5.187	22	9322	27	9323	50	761	2.62E-04	GST04 - 2A □□□ 056C22 MDSKA□□ 056-22 140
11	675	3.4	5.850	25	9322	30	9323	53	675	2.62E-04	GST04 - 2A □□□ 056C22 MDSKA□□ 056-22 140
12	617	3.2	6.400	28	9322	33	9323	55	617	2.59E-04	GST04 - 2A □□□ 056C22 MDSKA□□ 056-22 140
13	561	3.0	7.040	30	9322	36	9323	57	520	2.66E-04	GST04 - 2A □□□ 056C22 MDSKA□□ 056-22 140
15	494	2.7	8.000	35	9322	41	9323	59	450	2.66E-04	GST04 - 2A □□□ 056C22 MDSKA□□ 056-22 140
17	438	2.6	9.010	39	9322	46	9323	63	438	2.59E-04	GST04 - 2A □□□ 056C22 MDSKA□□ 056-22 140
19	401	2.5	9.856	43	9322	51	9323	65	401	2.57E-04	GST04 - 2A □□□ 056C22 MDSKA□□ 056-22 140
22	353	2.0	11.200	48	9322	58	9323	60	353	2.57E-04	GST04 - 2A □□□ 056C22 MDSKA□□ 056-22 140
24	314	2.1	12.571	54	9322	65	9323	69	314	2.53E-04	GST04 - 2A □□□ 056C22 MDSKA□□ 056-22 140
28	277	1.6	14.286	62	9322	74	9323	61	277	2.52E-04	GST04 - 2A □□□ 056C22 MDSKA□□ 056-22 140
30	256	1.9	15.400	67	9322	79	9323	70	256	2.50E-04	GST04 - 2A □□□ 056C22 MDSKA□□ 056-22 140
34	226	1.5	17.500	76	9322	90	9323	62	226	2.50E-04	GST04 - 2A □□□ 056C22 MDSKA□□ 056-22 140
37	204	1.5	19.360	84	9322	100	9323	70	204	2.46E-04	GST04 - 2A □□□ 056C22 MDSKA□□ 056-22 140
43	180	1.2	22.000	94	9322	94	9323	62	180	2.46E-04	GST04 - 2A □□□ 056C22 MDSKA□□ 056-22 140
48	158	1.2	24.933	107	9322	107	9323	71	158	2.44E-04	GST04 - 2A □□□ 056C22 MDSKA□□ 056-22 140
11	1370	2.4	2.956	36	9324	26	9324	39	1066	8.64E-04	GST04 - 2A □□□ 071C22 MDSKA□□ 071-22 140
13	1215	2.3	3.333	41	9324	30	9324	42	935	8.62E-04	GST04 - 2A □□□ 071C22 MDSKA□□ 071-22 140
16	999	2.1	4.053	50	9324	36	9324	45	842	8.61E-04	GST04 - 2A □□□ 071C22 MDSKA□□ 071-22 140

Observe the notes for thermal dimensioning.

Selection tables - Helical gearboxes

Naturally ventilated asynchronous geared servo motors



M ₂ [Nm]	n ₂ trans [rpm]	c	i	M ₂ max short-time on geared motor at				M ₂ Gr gearbox c=1 n ₁ ≤ 1400 rpm [Nm]	n ₂ therm [rpm]	J _{GM} referred to motor shaft [kgm ²]	Servo helical- geared motor Dimensions on Page 3-99
				8 kHz		16 kHz					
				M ₂ max [Nm]	Type EVS	M ₂ max [Nm]	Type EVS				
18	886	1.9	4.571	56	9324	41	9324	48	736	8.60E-04	GST04 - 2A □□□ 071C22 MDSKA□□ 071-22 140
20	781	1.8	5.187	63	9324	46	9324	50	733	8.52E-04	GST04 - 2A □□□ 071C22 MDSKA□□ 071-22 140
23	692	1.7	5.850	72	9324	52	9324	53	630	8.52E-04	GST04 - 2A □□□ 071C22 MDSKA□□ 071-22 140
25	633	1.6	6.400	78	9324	57	9324	55	585	8.49E-04	GST04 - 2A □□□ 071C22 MDSKA□□ 071-22 140
27	575	1.5	7.040	85	9324	63	9324	57	421	8.56E-04	GST04 - 2A □□□ 071C22 MDSKA□□ 071-22 140
31	506	1.4	8.000	88	9324	71	9324	59	356	8.56E-04	GST04 - 2A □□□ 071C22 MDSKA□□ 071-22 140
35	450	1.3	9.010	94	9324	80	9324	63	359	8.49E-04	GST04 - 2A □□□ 071C22 MDSKA□□ 071-22 140
38	411	1.2	9.856	97	9324	88	9324	65	336	8.47E-04	GST04 - 2A □□□ 071C22 MDSKA□□ 071-22 140
49	322	1.0	12.571	104	9324	104	9324	69	286	8.43E-04	GST04 - 2A □□□ 071C22 MDSKA□□ 071-22 140
7	1129	5.7	3.500	15	9322	18	9323	54	1129	2.67E-04	GST05 - 1A □□□ 056C22 MDSKA□□ 056-22 140
9	867	4.4	4.556	20	9322	24	9323	54	867	2.58E-04	GST05 - 1A □□□ 056C22 MDSKA□□ 056-22 140
11	697	3.5	5.667	25	9322	30	9323	54	697	2.53E-04	GST05 - 1A □□□ 056C22 MDSKA□□ 056-22 140
14	539	2.3	7.333	32	9322	38	9323	47	539	2.46E-04	GST05 - 1A □□□ 056C22 MDSKA□□ 056-22 140
17	444	1.7	8.900	39	9322	47	9323	42	444	2.46E-04	GST05 - 1A □□□ 056C22 MDSKA□□ 056-22 140
6	2531	5.1	1.600	20	9324	15	9324	45	2215	9.06E-04	GST05 - 1A □□□ 071C22 MDSKA□□ 071-22 140
8	1978	4.7	2.048	25	9324	19	9324	53	1856	8.85E-04	GST05 - 1A □□□ 071C22 MDSKA□□ 071-22 140
9	1808	4.3	2.240	28	9324	20	9324	53	1733	8.78E-04	GST05 - 1A □□□ 071C22 MDSKA□□ 071-22 140
11	1418	3.4	2.857	36	9324	26	9324	53	1418	8.65E-04	GST05 - 1A □□□ 071C22 MDSKA□□ 071-22 140
14	1157	2.8	3.500	43	9324	32	9324	54	1157	8.57E-04	GST05 - 1A □□□ 071C22 MDSKA□□ 071-22 140
18	889	2.2	4.556	57	9324	41	9324	54	889	8.48E-04	GST05 - 1A □□□ 071C22 MDSKA□□ 071-22 140
22	715	1.7	5.667	70	9324	51	9324	54	715	8.43E-04	GST05 - 1A □□□ 071C22 MDSKA□□ 071-22 140
10	1250	3.8	1.600	24	9323	33	9324	45	1250	2.00E-03	GST05 - 1A □□□ 080C22 MDSKA□□ 080-22 70
13	977	3.5	2.048	31	9323	43	9324	53	977	1.97E-03	GST05 - 1A □□□ 080C22 MDSKA□□ 080-22 70
14	893	3.3	2.240	33	9323	47	9324	53	893	1.97E-03	GST05 - 1A □□□ 080C22 MDSKA□□ 080-22 70
19	700	2.6	2.857	43	9323	60	9324	53	700	1.96E-03	GST05 - 1A □□□ 080C22 MDSKA□□ 080-22 70
23	571	2.1	3.500	52	9323	73	9324	54	571	1.95E-03	GST05 - 1A □□□ 080C22 MDSKA□□ 080-22 70
8	2563	3.8	1.600	21	9324	30	9325	45	2093	2.00E-03	GST05 - 1A □□□ 080C22 MDSKA□□ 080-22 140
11	2002	3.4	2.048	27	9324	39	9325	53	1753	1.97E-03	GST05 - 1A □□□ 080C22 MDSKA□□ 080-22 140
12	1830	3.2	2.240	29	9324	42	9325	53	1603	1.97E-03	GST05 - 1A □□□ 080C22 MDSKA□□ 080-22 140
15	1435	2.5	2.857	37	9324	54	9325	53	1257	1.96E-03	GST05 - 1A □□□ 080C22 MDSKA□□ 080-22 140
18	1171	2.1	3.500	46	9324	66	9325	54	1026	1.95E-03	GST05 - 1A □□□ 080C22 MDSKA□□ 080-22 140
13	546	5.6	7.238	31	9322	37	9323	108	546	2.80E-04	GST05 - 2A □□□ 056C22 MDSKA□□ 056-22 140
15	484	5.3	8.163	35	9322	42	9323	115	484	2.79E-04	GST05 - 2A □□□ 056C22 MDSKA□□ 056-22 140
17	438	4.9	9.010	39	9322	46	9323	119	426	2.94E-04	GST05 - 2A □□□ 056C22 MDSKA□□ 056-22 140

Observe the notes for thermal dimensioning.

Selection tables - Helical gearboxes

Naturally ventilated asynchronous geared servo motors

M ₂ [Nm]	n ₂ trans [rpm]	c	i	M ₂ max short-time on geared motor at				M ₂ Gr gearbox c=1 n ₁ ≤ 1400 rpm [Nm]	n ₂ therm [rpm]	J _{GM} referred to motor shaft [kgm ²]	Servo helical- geared motor Dimensions on Page 3-99
				8 kHz		16 kHz					
				M ₂ max [Nm]	Type EVS	M ₂ max [Nm]	Type EVS				
19	395	4.6	10.000	43	9322	51	9323	124	395	2.70E-04	GST05 - 2A □□□ 056C22 MDSKA□□ 056-22 140
21	353	4.3	11.200	48	9322	58	9323	128	346	2.86E-04	GST05 - 2A □□□ 056C22 MDSKA□□ 056-22 140
24	303	3.9	13.016	56	9322	67	9323	137	303	2.58E-04	GST05 - 2A □□□ 056C22 MDSKA□□ 056-22 140
27	275	3.6	14.356	62	9322	74	9323	140	275	2.53E-04	GST05 - 2A □□□ 056C22 MDSKA□□ 056-22 140
30	244	3.9	16.190	70	9322	83	9323	148	244	2.53E-04	GST05 - 2A □□□ 056C22 MDSKA□□ 056-22 140
33	226	3.4	17.500	76	9322	90	9323	142	226	2.67E-04	GST05 - 2A □□□ 056C22 MDSKA□□ 056-22 140
38	197	3.4	20.044	87	9322	103	9323	159	197	2.56E-04	GST05 - 2A □□□ 056C22 MDSKA□□ 056-22 140
43	173	2.7	22.778	98	9322	117	9323	144	173	2.56E-04	GST05 - 2A □□□ 056C22 MDSKA□□ 056-22 140
48	158	2.8	24.933	108	9322	128	9323	162	158	2.52E-04	GST05 - 2A □□□ 056C22 MDSKA□□ 056-22 140
54	139	2.2	28.333	122	9322	146	9323	147	139	2.52E-04	GST05 - 2A □□□ 056C22 MDSKA□□ 056-22 140
62	122	2.2	32.267	139	9322	166	9323	164	122	2.48E-04	GST05 - 2A □□□ 056C22 MDSKA□□ 056-22 140
71	108	1.7	36.667	158	9322	189	9323	148	108	2.48E-04	GST05 - 2A □□□ 056C22 MDSKA□□ 056-22 140
75	101	1.8	39.160	169	9322	201	9323	165	101	2.46E-04	GST05 - 2A □□□ 056C22 MDSKA□□ 056-22 140
86	89	1.6	44.500	192	9322	224	9323	149	89	2.46E-04	GST05 - 2A □□□ 056C22 MDSKA□□ 056-22 140
11	1370	4.0	2.956	36	9324	26	9324	63	975	9.29E-04	GST05 - 2A □□□ 071C22 MDSKA□□ 071-22 140
12	1215	4.3	3.333	41	9324	30	9324	78	880	9.24E-04	GST05 - 2A □□□ 071C22 MDSKA□□ 071-22 140
15	999	3.7	4.053	50	9324	36	9324	81	824	9.20E-04	GST05 - 2A □□□ 071C22 MDSKA□□ 071-22 140
17	886	3.7	4.571	56	9324	41	9324	91	730	9.16E-04	GST05 - 2A □□□ 071C22 MDSKA□□ 071-22 140
20	781	3.2	5.187	63	9324	46	9324	90	686	8.94E-04	GST05 - 2A □□□ 071C22 MDSKA□□ 071-22 140
22	692	3.2	5.850	72	9324	52	9324	101	608	8.91E-04	GST05 - 2A □□□ 071C22 MDSKA□□ 071-22 140
24	633	3.0	6.400	78	9324	57	9324	105	571	8.83E-04	GST05 - 2A □□□ 071C22 MDSKA□□ 071-22 140
28	560	2.8	7.238	89	9324	65	9324	108	560	8.70E-04	GST05 - 2A □□□ 071C22 MDSKA□□ 071-22 140
31	496	2.6	8.163	100	9324	73	9324	115	496	8.69E-04	GST05 - 2A □□□ 071C22 MDSKA□□ 071-22 140
34	450	2.4	9.010	110	9324	80	9324	119	376	8.84E-04	GST05 - 2A □□□ 071C22 MDSKA□□ 071-22 140
38	405	2.3	10.000	122	9324	89	9324	124	405	8.60E-04	GST05 - 2A □□□ 071C22 MDSKA□□ 071-22 140
43	362	2.1	11.200	137	9324	100	9324	128	306	8.76E-04	GST05 - 2A □□□ 071C22 MDSKA□□ 071-22 140
50	311	2.0	13.016	159	9324	116	9324	137	311	8.48E-04	GST05 - 2A □□□ 071C22 MDSKA□□ 071-22 140
55	282	1.8	14.356	176	9324	128	9324	140	282	8.43E-04	GST05 - 2A □□□ 071C22 MDSKA□□ 071-22 140
62	250	1.9	16.190	198	9324	145	9324	148	250	8.43E-04	GST05 - 2A □□□ 071C22 MDSKA□□ 071-22 140
67	231	1.7	17.500	213	9324	156	9324	142	231	8.57E-04	GST05 - 2A □□□ 071C22 MDSKA□□ 071-22 140
77	202	1.7	20.044	239	9324	179	9324	159	202	8.46E-04	GST05 - 2A □□□ 071C22 MDSKA□□ 071-22 140
88	178	1.3	22.778	216	9324	203	9324	144	178	8.46E-04	GST05 - 2A □□□ 071C22 MDSKA□□ 071-22 140
96	162	1.4	24.933	243	9324	223	9324	162	162	8.42E-04	GST05 - 2A □□□ 071C22 MDSKA□□ 071-22 140
110	143	1.1	28.333	221	9324	221	9324	147	143	8.42E-04	GST05 - 2A □□□ 071C22 MDSKA□□ 071-22 140

Observe the notes for thermal dimensioning.

Selection tables - Helical gearboxes

Naturally ventilated asynchronous geared servo motors



M ₂ [Nm]	n _{2 trans} [rpm]	c	i	M _{2 max} short-time on geared motor at				M _{2 Gr} gearbox c=1 n ₁ ≤ 1400 rpm [Nm]	n _{2 therm} [rpm]	J _{GM} referred to motor shaft [kgm ²]	Servo helical-geared motor Dimensions on Page 3-99
				8 kHz		16 kHz					
				M _{2 max} [Nm]	Type EVS	M _{2 max} [Nm]	Type EVS				
19	677	3.0	2.956	43	9323	61	9324	63	677	2.02E-03	GST05 - 2A □□□ 080C22 MDSKA□□ 080-22 70
21	600	3.3	3.333	49	9323	69	9324	78	600	2.01E-03	GST05 - 2A □□□ 080C22 MDSKA□□ 080-22 70
26	493	2.8	4.053	59	9323	83	9324	81	493	2.01E-03	GST05 - 2A □□□ 080C22 MDSKA□□ 080-22 70
29	438	2.8	4.571	67	9323	94	9324	91	438	2.01E-03	GST05 - 2A □□□ 080C22 MDSKA□□ 080-22 70
33	386	2.4	5.187	76	9323	107	9324	90	386	1.98E-03	GST05 - 2A □□□ 080C22 MDSKA□□ 080-22 70
37	342	2.4	5.850	86	9323	120	9324	101	342	1.98E-03	GST05 - 2A □□□ 080C22 MDSKA□□ 080-22 70
41	313	2.3	6.400	94	9323	132	9324	105	313	1.97E-03	GST05 - 2A □□□ 080C22 MDSKA□□ 080-22 70
47	276	2.1	7.238	106	9323	149	9324	108	276	1.96E-03	GST05 - 2A □□□ 080C22 MDSKA□□ 080-22 70
53	245	2.0	8.163	120	9323	168	9324	115	245	1.96E-03	GST05 - 2A □□□ 080C22 MDSKA□□ 080-22 70
58	222	1.8	9.010	132	9323	178	9324	119	222	1.97E-03	GST05 - 2A □□□ 080C22 MDSKA□□ 080-22 70
65	200	1.7	10.000	147	9323	186	9324	124	200	1.95E-03	GST05 - 2A □□□ 080C22 MDSKA□□ 080-22 70
72	179	1.6	11.200	164	9323	191	9324	128	179	1.97E-03	GST05 - 2A □□□ 080C22 MDSKA□□ 080-22 70
113	114	1.2	17.500	213	9323	213	9324	142	114	1.95E-03	GST05 - 2A □□□ 080C22 MDSKA□□ 080-22 70
15	1387	2.9	2.956	38	9324	55	9325	63	917	2.02E-03	GST05 - 2A □□□ 080C22 MDSKA□□ 080-22 140
17	1230	3.2	3.333	43	9324	62	9325	78	828	2.01E-03	GST05 - 2A □□□ 080C22 MDSKA□□ 080-22 140
21	1012	2.7	4.053	52	9324	75	9325	81	776	2.01E-03	GST05 - 2A □□□ 080C22 MDSKA□□ 080-22 140
24	897	2.7	4.571	59	9324	85	9325	91	688	2.01E-03	GST05 - 2A □□□ 080C22 MDSKA□□ 080-22 140
27	790	2.4	5.187	66	9324	96	9325	90	649	1.98E-03	GST05 - 2A □□□ 080C22 MDSKA□□ 080-22 140
30	701	2.4	5.850	75	9324	108	9325	101	575	1.98E-03	GST05 - 2A □□□ 080C22 MDSKA□□ 080-22 140
33	641	2.2	6.400	82	9324	119	9325	105	541	1.97E-03	GST05 - 2A □□□ 080C22 MDSKA□□ 080-22 140
38	566	2.0	7.238	93	9324	134	9325	108	496	1.96E-03	GST05 - 2A □□□ 080C22 MDSKA□□ 080-22 140
42	502	1.9	8.163	105	9324	151	9325	115	440	1.96E-03	GST05 - 2A □□□ 080C22 MDSKA□□ 080-22 140
47	455	1.8	9.010	115	9324	167	9325	119	344	1.97E-03	GST05 - 2A □□□ 080C22 MDSKA□□ 080-22 140
52	410	1.7	10.000	128	9324	185	9325	124	359	1.95E-03	GST05 - 2A □□□ 080C22 MDSKA□□ 080-22 140
58	366	1.6	11.200	143	9324	191	9325	128	269	1.97E-03	GST05 - 2A □□□ 080C22 MDSKA□□ 080-22 140
91	234	1.3	17.500	213	9324	213	9325	142	205	1.95E-03	GST05 - 2A □□□ 080C22 MDSKA□□ 080-22 140
69	109	1.6	36.267	154	9322	184	9323	134	109	2.59E-04	GST05 - 3A □□□ 056C22 MDSKA□□ 056-22 140
88	85	1.5	46.259	197	9322	218	9323	145	85	2.54E-04	GST05 - 3A □□□ 056C22 MDSKA□□ 056-22 140
108	70	1.3	56.667	233	9322	233	9323	155	70	2.51E-04	GST05 - 3A □□□ 056C22 MDSKA□□ 056-22 140
121	62	1.1	63.467	219	9322	219	9323	146	62	2.59E-04	GST05 - 3A □□□ 056C22 MDSKA□□ 056-22 140
136	55	1.1	71.238	251	9322	251	9323	167	55	2.47E-04	GST05 - 3A □□□ 056C22 MDSKA□□ 056-22 140
11	697	5.3	5.667	25	9322	30	9323	82	697	2.76E-04	GST06 - 1A □□□ 056C22 MDSKA□□ 056-22 140
14	539	4.8	7.333	32	9322	38	9323	95	539	2.63E-04	GST06 - 1A □□□ 056C22 MDSKA□□ 056-22 140
17	444	3.5	8.900	39	9322	47	9323	85	444	2.57E-04	GST06 - 1A □□□ 056C22 MDSKA□□ 056-22 140

Observe the notes for thermal dimensioning.

Selection tables - Helical gearboxes

Naturally ventilated asynchronous geared servo motors

M ₂ [Nm]	n ₂ trans [rpm]	c	i	M ₂ max short-time on geared motor at				M ₂ Gr gearbox c=1 n ₁ ≤ 1400 rpm [Nm]	n ₂ therm [rpm]	J _{GM} referred to motor shaft [kgm ²]	Servo helical- geared motor Dimensions on Page 3-99
				8 kHz		16 kHz					
				M ₂ max [Nm]	Type EVS	M ₂ max [Nm]	Type EVS				
22	351	2.1	11.250	49	9322	59	9323	63	351	2.51E-04	GST06 - 1A □□□ 056C22 MDSKA□□ 056-22 140
11	1418	5.9	2.857	36	9324	26	9324	92	1395	9.27E-04	GST06 - 1A □□□ 071C22 MDSKA□□ 071-22 140
13	1157	5.5	3.500	43	9324	32	9324	105	1157	9.04E-04	GST06 - 1A □□□ 071C22 MDSKA□□ 071-22 140
17	889	4.2	4.556	57	9324	41	9324	105	889	8.78E-04	GST06 - 1A □□□ 071C22 MDSKA□□ 071-22 140
22	715	3.4	5.667	70	9324	51	9324	105	715	8.66E-04	GST06 - 1A □□□ 071C22 MDSKA□□ 071-22 140
28	552	2.5	7.333	91	9324	67	9324	100	552	8.53E-04	GST06 - 1A □□□ 071C22 MDSKA□□ 071-22 140
35	455	1.7	8.900	111	9324	81	9324	85	455	8.47E-04	GST06 - 1A □□□ 071C22 MDSKA□□ 071-22 140
10	1250	5.3	1.600	24	9323	33	9324	61	1250	2.12E-03	GST06 - 1A □□□ 080C22 MDSKA□□ 080-22 70
13	977	4.9	2.048	31	9323	43	9324	72	977	2.07E-03	GST06 - 1A □□□ 080C22 MDSKA□□ 080-22 70
14	893	4.8	2.240	33	9323	47	9324	79	893	2.05E-03	GST06 - 1A □□□ 080C22 MDSKA□□ 080-22 70
18	700	4.5	2.857	43	9323	60	9324	92	700	2.02E-03	GST06 - 1A □□□ 080C22 MDSKA□□ 080-22 70
22	571	4.1	3.500	52	9323	73	9324	105	571	1.99E-03	GST06 - 1A □□□ 080C22 MDSKA□□ 080-22 70
29	439	3.2	4.556	68	9323	95	9324	105	439	1.97E-03	GST06 - 1A □□□ 080C22 MDSKA□□ 080-22 70
37	353	2.6	5.667	84	9323	118	9324	105	353	1.96E-03	GST06 - 1A □□□ 080C22 MDSKA□□ 080-22 70
8	2563	5.2	1.600	21	9324	30	9325	61	1862	2.12E-03	GST06 - 1A □□□ 080C22 MDSKA□□ 080-22 140
10	2002	4.8	2.048	27	9324	39	9325	72	1657	2.07E-03	GST06 - 1A □□□ 080C22 MDSKA□□ 080-22 140
11	1830	4.7	2.240	29	9324	42	9325	79	1561	2.05E-03	GST06 - 1A □□□ 080C22 MDSKA□□ 080-22 140
15	1435	4.3	2.857	37	9324	54	9325	92	1257	2.02E-03	GST06 - 1A □□□ 080C22 MDSKA□□ 080-22 140
18	1171	4.0	3.500	46	9324	66	9325	105	1026	1.99E-03	GST06 - 1A □□□ 080C22 MDSKA□□ 080-22 140
24	900	3.1	4.556	59	9324	86	9325	105	788	1.97E-03	GST06 - 1A □□□ 080C22 MDSKA□□ 080-22 140
30	724	2.5	5.667	74	9324	107	9325	105	634	1.96E-03	GST06 - 1A □□□ 080C22 MDSKA□□ 080-22 140
17	1438	3.1	1.600	39	9324	54	9325	61	1438	3.80E-03	GST06 - 1A □□□ 090C22 MDSKA□□ 090-22 80
21	1123	2.9	2.048	49	9324	70	9325	72	1123	3.75E-03	GST06 - 1A □□□ 090C22 MDSKA□□ 090-22 80
23	1027	2.9	2.240	54	9324	76	9325	79	1027	3.73E-03	GST06 - 1A □□□ 090C22 MDSKA□□ 090-22 80
30	805	2.6	2.857	69	9324	97	9325	92	805	3.70E-03	GST06 - 1A □□□ 090C22 MDSKA□□ 090-22 80
37	657	2.4	3.500	84	9324	119	9325	105	657	3.67E-03	GST06 - 1A □□□ 090C22 MDSKA□□ 090-22 80
15	2569	2.9	1.600	37	9325	44	9326	61	1660	3.80E-03	GST06 - 1A □□□ 090C22 MDSKA□□ 090-22 140
19	2007	2.7	2.048	47	9325	57	9326	72	1481	3.75E-03	GST06 - 1A □□□ 090C22 MDSKA□□ 090-22 140
21	1835	2.7	2.240	52	9325	62	9326	79	1389	3.73E-03	GST06 - 1A □□□ 090C22 MDSKA□□ 090-22 140
26	1439	2.5	2.857	66	9325	79	9326	92	1089	3.70E-03	GST06 - 1A □□□ 090C22 MDSKA□□ 090-22 140
32	1174	2.3	3.500	81	9325	97	9326	105	889	3.67E-03	GST06 - 1A □□□ 090C22 MDSKA□□ 090-22 140
42	173	5.9	22.778	98	9322	117	9323	315	173	2.85E-04	GST06 - 2A □□□ 056C22 MDSKA□□ 056-22 140
53	139	4.7	28.333	122	9322	146	9323	317	139	2.73E-04	GST06 - 2A □□□ 056C22 MDSKA□□ 056-22 140
60	122	4.8	32.267	139	9322	166	9323	363	122	2.62E-04	GST06 - 2A □□□ 056C22 MDSKA□□ 056-22 140

Observe the notes for thermal dimensioning.

Selection tables - Helical gearboxes

Naturally ventilated asynchronous geared servo motors



M ₂ [Nm]	n _{2 trans} [rpm]	c	i	M _{2 max} short-time on geared motor at				M _{2 Gr} gearbox c=1 n ₁ ≤ 1400 rpm [Nm]	n _{2 therm} [rpm]	J _{GM} referred to motor shaft [kgm ²]	Servo helical-geared motor Dimensions on Page 3-99
				8 kHz		16 kHz					
				M _{2 max} [Nm]	Type EVS	M _{2 max} [Nm]	Type EVS				
69	108	3.7	36.667	158	9322	189	9323	322	108	2.62E-04	GST06 - 2A □□□ 056C22 MDSKA□□ 056-22 140
74	101	4.0	39.160	169	9322	201	9323	368	101	2.56E-04	GST06 - 2A □□□ 056C22 MDSKA□□ 056-22 140
84	89	3.4	44.500	192	9322	229	9323	325	89	2.56E-04	GST06 - 2A □□□ 056C22 MDSKA□□ 056-22 140
94	80	2.6	49.500	214	9322	255	9323	278	80	2.51E-04	GST06 - 2A □□□ 056C22 MDSKA□□ 056-22 140
107	70	2.6	56.250	243	9322	289	9323	316	70	2.51E-04	GST06 - 2A □□□ 056C22 MDSKA□□ 056-22 140
30	496	5.7	8.163	100	9324	73	9324	252	486	9.36E-04	GST06 - 2A □□□ 071C22 MDSKA□□ 071-22 140
33	450	5.4	9.010	110	9324	80	9324	261	385	9.80E-04	GST06 - 2A □□□ 071C22 MDSKA□□ 071-22 140
37	405	5.0	10.000	122	9324	89	9324	269	405	9.12E-04	GST06 - 2A □□□ 071C22 MDSKA□□ 071-22 140
42	362	4.6	11.200	137	9324	100	9324	280	311	9.56E-04	GST06 - 2A □□□ 071C22 MDSKA□□ 071-22 140
47	322	4.3	12.571	154	9324	112	9324	295	301	9.26E-04	GST06 - 2A □□□ 071C22 MDSKA□□ 071-22 140
54	284	4.0	14.286	175	9324	128	9324	307	261	9.23E-04	GST06 - 2A □□□ 071C22 MDSKA□□ 071-22 140
58	263	4.3	15.400	188	9324	138	9324	318	263	9.05E-04	GST06 - 2A □□□ 071C22 MDSKA□□ 071-22 140
66	231	3.8	17.500	214	9324	156	9324	313	231	9.03E-04	GST06 - 2A □□□ 071C22 MDSKA□□ 071-22 140
76	202	3.7	20.044	245	9324	179	9324	350	202	8.76E-04	GST06 - 2A □□□ 071C22 MDSKA□□ 071-22 140
87	178	2.9	22.778	279	9324	203	9324	315	178	8.75E-04	GST06 - 2A □□□ 071C22 MDSKA□□ 071-22 140
95	162	3.0	24.933	305	9324	223	9324	360	162	8.63E-04	GST06 - 2A □□□ 071C22 MDSKA□□ 071-22 140
108	143	2.4	28.333	346	9324	253	9324	317	143	8.63E-04	GST06 - 2A □□□ 071C22 MDSKA□□ 071-22 140
123	126	2.4	32.267	395	9324	288	9324	363	126	8.52E-04	GST06 - 2A □□□ 071C22 MDSKA□□ 071-22 140
141	110	1.8	36.667	448	9324	327	9324	322	110	8.52E-04	GST06 - 2A □□□ 071C22 MDSKA□□ 071-22 140
150	103	2.0	39.160	479	9324	350	9324	368	103	8.46E-04	GST06 - 2A □□□ 071C22 MDSKA□□ 071-22 140
171	91	1.7	44.500	488	9324	397	9324	325	91	8.46E-04	GST06 - 2A □□□ 071C22 MDSKA□□ 071-22 140
33	376	5.4	5.324	78	9323	110	9324	207	376	2.10E-03	GST06 - 2A □□□ 080C22 MDSKA□□ 080-22 70
36	342	5.3	5.850	86	9323	120	9324	222	342	2.09E-03	GST06 - 2A □□□ 080C22 MDSKA□□ 080-22 70
40	313	5.0	6.400	94	9323	132	9324	229	313	2.07E-03	GST06 - 2A □□□ 080C22 MDSKA□□ 080-22 70
44	284	4.7	7.040	103	9323	145	9324	236	284	2.13E-03	GST06 - 2A □□□ 080C22 MDSKA□□ 080-22 70
51	245	4.3	8.163	120	9323	168	9324	252	245	2.03E-03	GST06 - 2A □□□ 080C22 MDSKA□□ 080-22 70
57	222	4.0	9.010	132	9323	185	9324	261	222	2.07E-03	GST06 - 2A □□□ 080C22 MDSKA□□ 080-22 70
63	200	3.8	10.000	147	9323	206	9324	269	200	2.00E-03	GST06 - 2A □□□ 080C22 MDSKA□□ 080-22 70
71	179	3.5	11.200	164	9323	230	9324	280	179	2.05E-03	GST06 - 2A □□□ 080C22 MDSKA□□ 080-22 70
80	159	3.3	12.571	184	9323	259	9324	295	159	2.02E-03	GST06 - 2A □□□ 080C22 MDSKA□□ 080-22 70
91	140	3.0	14.286	209	9323	294	9324	307	140	2.01E-03	GST06 - 2A □□□ 080C22 MDSKA□□ 080-22 70
98	130	3.2	15.400	226	9323	317	9324	318	130	1.99E-03	GST06 - 2A □□□ 080C22 MDSKA□□ 080-22 70
112	114	2.8	17.500	256	9323	360	9324	313	114	1.99E-03	GST06 - 2A □□□ 080C22 MDSKA□□ 080-22 70
128	100	2.7	20.044	294	9323	412	9324	350	100	1.97E-03	GST06 - 2A □□□ 080C22 MDSKA□□ 080-22 70

Observe the notes for thermal dimensioning.

Selection tables - Helical gearboxes

Naturally ventilated asynchronous geared servo motors

M ₂ [Nm]	n ₂ trans [rpm]	c	i	M ₂ max short-time on geared motor at				M ₂ Gr gearbox c=1 n ₁ ≤ 1400 rpm [Nm]	n ₂ therm [rpm]	J _{GM} referred to motor shaft [kgm ²]	Servo helical- geared motor Dimensions on Page 3-99
				8 kHz		16 kHz					
				M ₂ max [Nm]	Type EVS	M ₂ max [Nm]	Type EVS				
146	88	2.1	22.778	334	9323	469	9324	315	88	1.97E-03	GST06 - 2A □□□ 080C22 MDSKA□□ 080-22 70
160	80	2.2	24.933	365	9323	513	9324	360	80	1.95E-03	GST06 - 2A □□□ 080C22 MDSKA□□ 080-22 70
183	71	1.7	28.333	415	9323	476	9324	317	71	1.95E-03	GST06 - 2A □□□ 080C22 MDSKA□□ 080-22 70
23	897	6.0	4.571	59	9324	85	9325	200	670	2.16E-03	GST06 - 2A □□□ 080C22 MDSKA□□ 080-22 140
27	770	5.3	5.324	68	9324	99	9325	207	651	2.10E-03	GST06 - 2A □□□ 080C22 MDSKA□□ 080-22 140
29	701	5.2	5.850	75	9324	108	9325	222	589	2.09E-03	GST06 - 2A □□□ 080C22 MDSKA□□ 080-22 140
32	641	4.9	6.400	82	9324	119	9325	229	550	2.07E-03	GST06 - 2A □□□ 080C22 MDSKA□□ 080-22 140
36	582	4.6	7.040	90	9324	131	9325	236	414	2.13E-03	GST06 - 2A □□□ 080C22 MDSKA□□ 080-22 140
41	502	4.2	8.163	105	9324	151	9325	252	440	2.03E-03	GST06 - 2A □□□ 080C22 MDSKA□□ 080-22 140
46	455	4.0	9.010	115	9324	167	9325	261	364	2.07E-03	GST06 - 2A □□□ 080C22 MDSKA□□ 080-22 140
51	410	3.7	10.000	128	9324	185	9325	269	359	2.00E-03	GST06 - 2A □□□ 080C22 MDSKA□□ 080-22 140
57	366	3.4	11.200	143	9324	208	9325	280	294	2.05E-03	GST06 - 2A □□□ 080C22 MDSKA□□ 080-22 140
64	326	3.2	12.571	161	9324	233	9325	295	286	2.02E-03	GST06 - 2A □□□ 080C22 MDSKA□□ 080-22 140
73	287	2.9	14.286	183	9324	265	9325	307	248	2.01E-03	GST06 - 2A □□□ 080C22 MDSKA□□ 080-22 140
79	266	3.2	15.400	197	9324	285	9325	318	233	1.99E-03	GST06 - 2A □□□ 080C22 MDSKA□□ 080-22 140
90	234	2.8	17.500	224	9324	324	9325	313	205	1.99E-03	GST06 - 2A □□□ 080C22 MDSKA□□ 080-22 140
103	205	2.7	20.044	257	9324	371	9325	350	179	1.97E-03	GST06 - 2A □□□ 080C22 MDSKA□□ 080-22 140
118	180	2.1	22.778	292	9324	422	9325	315	158	1.97E-03	GST06 - 2A □□□ 080C22 MDSKA□□ 080-22 140
129	164	2.2	24.933	319	9324	462	9325	360	144	1.95E-03	GST06 - 2A □□□ 080C22 MDSKA□□ 080-22 140
147	145	1.7	28.333	363	9324	476	9325	317	127	1.95E-03	GST06 - 2A □□□ 080C22 MDSKA□□ 080-22 140
31	758	4.5	3.033	72	9324	102	9325	166	758	3.87E-03	GST06 - 2A □□□ 090C22 MDSKA□□ 090-22 80
34	690	4.3	3.333	79	9324	112	9325	174	690	3.86E-03	GST06 - 2A □□□ 090C22 MDSKA□□ 090-22 80
42	553	3.8	4.160	99	9324	139	9325	191	553	3.85E-03	GST06 - 2A □□□ 090C22 MDSKA□□ 090-22 80
47	503	3.6	4.571	108	9324	153	9325	200	503	3.84E-03	GST06 - 2A □□□ 090C22 MDSKA□□ 090-22 80
55	432	3.2	5.324	126	9324	178	9325	207	432	3.78E-03	GST06 - 2A □□□ 090C22 MDSKA□□ 090-22 80
60	393	3.1	5.850	139	9324	196	9325	222	393	3.77E-03	GST06 - 2A □□□ 090C22 MDSKA□□ 090-22 80
66	359	3.0	6.400	152	9324	214	9325	229	359	3.75E-03	GST06 - 2A □□□ 090C22 MDSKA□□ 090-22 80
72	327	2.8	7.040	167	9324	236	9325	236	327	3.81E-03	GST06 - 2A □□□ 090C22 MDSKA□□ 090-22 80
84	282	2.6	8.163	193	9324	273	9325	252	282	3.71E-03	GST06 - 2A □□□ 090C22 MDSKA□□ 090-22 80
93	255	2.4	9.010	213	9324	302	9325	261	255	3.75E-03	GST06 - 2A □□□ 090C22 MDSKA□□ 090-22 80
103	230	2.2	10.000	237	9324	335	9325	269	230	3.68E-03	GST06 - 2A □□□ 090C22 MDSKA□□ 090-22 80
116	205	2.1	11.200	265	9324	375	9325	280	205	3.73E-03	GST06 - 2A □□□ 090C22 MDSKA□□ 090-22 80
130	183	1.9	12.571	298	9324	421	9325	295	183	3.70E-03	GST06 - 2A □□□ 090C22 MDSKA□□ 090-22 80
148	161	1.8	14.286	338	9324	460	9325	307	161	3.69E-03	GST06 - 2A □□□ 090C22 MDSKA□□ 090-22 80

Observe the notes for thermal dimensioning.

Selection tables - Helical gearboxes

Naturally ventilated asynchronous geared servo motors



M ₂ [Nm]	n _{2 trans} [rpm]	c	i	M _{2 max} short-time on geared motor at				M _{2 Gr} gearbox c=1 n ₁ ≤ 1400 rpm [Nm]	n _{2 therm} [rpm]	J _{GM} referred to motor shaft [kgm ²]	Servo helical-geared motor Dimensions on Page 3-99
				8 kHz		16 kHz					
				M _{2 max} [Nm]	Type EVS	M _{2 max} [Nm]	Type EVS				
160	149	1.9	15.400	365	9324	477	9325	318	149	3.67E-03	GST06 - 2A □□□ 090C22 MDSKA□□ 090-22 80
182	131	1.7	17.500	414	9324	470	9325	313	131	3.67E-03	GST06 - 2A □□□ 090C22 MDSKA□□ 090-22 80
27	1355	4.3	3.033	69	9325	82	9326	166	815	3.87E-03	GST06 - 2A □□□ 090C22 MDSKA□□ 090-22 140
30	1233	4.0	3.333	76	9325	91	9326	174	734	3.86E-03	GST06 - 2A □□□ 090C22 MDSKA□□ 090-22 140
37	988	3.6	4.160	94	9325	113	9326	191	665	3.85E-03	GST06 - 2A □□□ 090C22 MDSKA□□ 090-22 140
41	899	3.4	4.571	104	9325	124	9326	200	599	3.84E-03	GST06 - 2A □□□ 090C22 MDSKA□□ 090-22 140
48	772	3.0	5.324	121	9325	145	9326	207	583	3.78E-03	GST06 - 2A □□□ 090C22 MDSKA□□ 090-22 140
53	703	2.9	5.850	133	9325	159	9326	222	527	3.77E-03	GST06 - 2A □□□ 090C22 MDSKA□□ 090-22 140
58	642	2.8	6.400	145	9325	174	9326	229	486	3.75E-03	GST06 - 2A □□□ 090C22 MDSKA□□ 090-22 140
64	584	2.6	7.040	160	9325	191	9326	236	368	3.81E-03	GST06 - 2A □□□ 090C22 MDSKA□□ 090-22 140
74	503	2.4	8.163	185	9325	222	9326	252	381	3.71E-03	GST06 - 2A □□□ 090C22 MDSKA□□ 090-22 140
82	456	2.2	9.010	205	9325	245	9326	261	323	3.75E-03	GST06 - 2A □□□ 090C22 MDSKA□□ 090-22 140
91	411	2.1	10.000	227	9325	272	9326	269	311	3.68E-03	GST06 - 2A □□□ 090C22 MDSKA□□ 090-22 140
102	367	1.9	11.200	254	9325	304	9326	280	260	3.73E-03	GST06 - 2A □□□ 090C22 MDSKA□□ 090-22 140
115	327	1.8	12.571	285	9325	342	9326	295	247	3.70E-03	GST06 - 2A □□□ 090C22 MDSKA□□ 090-22 140
131	288	1.7	14.286	324	9325	388	9326	307	211	3.69E-03	GST06 - 2A □□□ 090C22 MDSKA□□ 090-22 140
141	267	1.8	15.400	350	9325	418	9326	318	202	3.67E-03	GST06 - 2A □□□ 090C22 MDSKA□□ 090-22 140
160	235	1.6	17.500	397	9325	470	9326	313	178	3.67E-03	GST06 - 2A □□□ 090C22 MDSKA□□ 090-22 140
73	101	3.5	39.200	167	9322	199	9323	321	101	2.76E-04	GST06 - 3A □□□ 056C22 MDSKA□□ 056-22 140
82	90	3.6	44.000	187	9322	223	9323	335	90	2.60E-04	GST06 - 3A □□□ 056C22 MDSKA□□ 056-22 140
95	77	3.0	51.022	217	9322	258	9323	325	77	2.72E-04	GST06 - 3A □□□ 056C22 MDSKA□□ 056-22 140
101	73	3.1	53.900	229	9322	273	9323	349	73	2.58E-04	GST06 - 3A □□□ 056C22 MDSKA□□ 056-22 140
127	58	2.6	67.760	288	9322	343	9323	365	58	2.51E-04	GST06 - 3A □□□ 056C22 MDSKA□□ 056-22 140
132	56	2.4	70.156	298	9322	355	9323	359	56	2.56E-04	GST06 - 3A □□□ 056C22 MDSKA□□ 056-22 140
153	49	2.0	80.952	344	9322	410	9323	332	49	2.60E-04	GST06 - 3A □□□ 056C22 MDSKA□□ 056-22 140
165	45	2.0	87.267	371	9322	442	9323	370	45	2.55E-04	GST06 - 3A □□□ 056C22 MDSKA□□ 056-22 140
188	40	1.6	99.167	422	9322	502	9323	336	40	2.55E-04	GST06 - 3A □□□ 056C22 MDSKA□□ 056-22 140
208	36	1.6	109.707	467	9322	556	9323	375	36	2.50E-04	GST06 - 3A □□□ 056C22 MDSKA□□ 056-22 140
238	32	1.3	124.667	509	9322	509	9323	339	32	2.50E-04	GST06 - 3A □□□ 056C22 MDSKA□□ 056-22 140
269	28	1.3	141.289	563	9322	563	9323	375	28	2.46E-04	GST06 - 3A □□□ 056C22 MDSKA□□ 056-22 140
307	25	1.0	160.556	513	9322	513	9323	342	25	2.46E-04	GST06 - 3A □□□ 056C22 MDSKA□□ 056-22 140
149	103	1.7	39.200	472	9324	345	9324	321	103	8.66E-04	GST06 - 3A □□□ 071C22 MDSKA□□ 071-22 140
167	92	1.8	44.000	503	9324	387	9324	335	92	8.50E-04	GST06 - 3A □□□ 071C22 MDSKA□□ 071-22 140
194	79	1.5	51.022	488	9324	449	9324	325	79	8.62E-04	GST06 - 3A □□□ 071C22 MDSKA□□ 071-22 140

Observe the notes for thermal dimensioning.

Selection tables - Helical gearboxes

Naturally ventilated asynchronous geared servo motors

M ₂ [Nm]	n ₂ trans [rpm]	c	i	M ₂ max short-time on geared motor at				M ₂ Gr gearbox c=1 n ₁ ≤ 1400 rpm [Nm]	n ₂ therm [rpm]	J _{GM} referred to motor shaft [kgm ²]	Servo helical- geared motor Dimensions on Page 3-99
				8 kHz		16 kHz					
				M ₂ max [Nm]	Type EVS	M ₂ max [Nm]	Type EVS				
205	75	1.5	53.900	523	9324	474	9324	349	75	8.48E-04	GST06 - 3A □□□ 071C22 MDSKA□□ 071-22 140
268	58	1.2	70.156	538	9324	538	9324	359	58	8.46E-04	GST06 - 3A □□□ 071C22 MDSKA□□ 071-22 140
334	46	1.0	87.267	554	9324	554	9324	370	46	8.45E-04	GST06 - 3A □□□ 071C22 MDSKA□□ 071-22 140
14	539	5.3	7.333	32	9322	38	9323	107	539	3.06E-04	GST07 - 1A □□□ 056C22 MDSKA□□ 056-22 140
17	444	4.7	8.900	39	9322	47	9323	113	444	2.89E-04	GST07 - 1A □□□ 056C22 MDSKA□□ 056-22 140
22	351	3.7	11.250	49	9322	59	9323	114	351	2.72E-04	GST07 - 1A □□□ 056C22 MDSKA□□ 056-22 140
17	889	6.0	4.556	57	9324	41	9324	150	889	9.67E-04	GST07 - 1A □□□ 071C22 MDSKA□□ 071-22 140
21	725	5.1	5.583	69	9324	51	9324	156	725	9.35E-04	GST07 - 1A □□□ 071C22 MDSKA□□ 071-22 140
28	552	4.0	7.333	91	9324	67	9324	161	552	8.96E-04	GST07 - 1A □□□ 071C22 MDSKA□□ 071-22 140
34	455	3.4	8.900	111	9324	81	9324	164	455	8.79E-04	GST07 - 1A □□□ 071C22 MDSKA□□ 071-22 140
44	360	2.2	11.250	140	9324	102	9324	136	360	8.62E-04	GST07 - 1A □□□ 071C22 MDSKA□□ 071-22 140
29	439	5.6	4.556	68	9323	95	9324	186	439	2.06E-03	GST07 - 1A □□□ 080C22 MDSKA□□ 080-22 70
35	358	4.8	5.583	83	9323	117	9324	196	358	2.03E-03	GST07 - 1A □□□ 080C22 MDSKA□□ 080-22 70
47	273	3.7	7.333	109	9323	153	9324	196	273	1.99E-03	GST07 - 1A □□□ 080C22 MDSKA□□ 080-22 70
58	225	2.8	8.900	132	9323	186	9324	183	225	1.97E-03	GST07 - 1A □□□ 080C22 MDSKA□□ 080-22 70
23	900	5.5	4.556	59	9324	86	9325	186	788	2.06E-03	GST07 - 1A □□□ 080C22 MDSKA□□ 080-22 140
29	734	4.7	5.583	73	9324	105	9325	196	643	2.03E-03	GST07 - 1A □□□ 080C22 MDSKA□□ 080-22 140
38	559	3.6	7.333	95	9324	138	9325	196	490	1.99E-03	GST07 - 1A □□□ 080C22 MDSKA□□ 080-22 140
46	461	2.8	8.900	116	9324	167	9325	183	403	1.97E-03	GST07 - 1A □□□ 080C22 MDSKA□□ 080-22 140
17	1415	5.3	1.625	39	9324	55	9325	106	1415	4.21E-03	GST07 - 1A □□□ 090C22 MDSKA□□ 090-22 80
20	1150	5.0	2.000	48	9324	68	9325	124	1150	4.08E-03	GST07 - 1A □□□ 090C22 MDSKA□□ 090-22 80
23	1027	4.9	2.240	54	9324	76	9325	135	1027	4.00E-03	GST07 - 1A □□□ 090C22 MDSKA□□ 090-22 80
29	805	4.5	2.857	69	9324	97	9325	159	805	3.87E-03	GST07 - 1A □□□ 090C22 MDSKA□□ 090-22 80
36	657	4.0	3.500	84	9324	119	9325	172	657	3.82E-03	GST07 - 1A □□□ 090C22 MDSKA□□ 090-22 80
47	505	3.3	4.556	110	9324	155	9325	186	505	3.74E-03	GST07 - 1A □□□ 090C22 MDSKA□□ 090-22 80
58	412	2.9	5.583	134	9324	190	9325	196	412	3.71E-03	GST07 - 1A □□□ 090C22 MDSKA□□ 090-22 80
15	2529	5.0	1.625	38	9325	45	9326	106	1547	4.21E-03	GST07 - 1A □□□ 090C22 MDSKA□□ 090-22 140
18	2055	4.7	2.000	46	9325	55	9326	124	1406	4.08E-03	GST07 - 1A □□□ 090C22 MDSKA□□ 090-22 140
20	1835	4.6	2.240	52	9325	62	9326	135	1298	4.00E-03	GST07 - 1A □□□ 090C22 MDSKA□□ 090-22 140
26	1439	4.2	2.857	66	9325	79	9326	159	1089	3.87E-03	GST07 - 1A □□□ 090C22 MDSKA□□ 090-22 140
32	1174	3.8	3.500	81	9325	97	9326	172	889	3.82E-03	GST07 - 1A □□□ 090C22 MDSKA□□ 090-22 140
42	902	3.1	4.556	105	9325	126	9326	186	683	3.74E-03	GST07 - 1A □□□ 090C22 MDSKA□□ 090-22 140
51	736	2.7	5.583	129	9325	154	9326	196	557	3.71E-03	GST07 - 1A □□□ 090C22 MDSKA□□ 090-22 140
25	1440	3.5	1.625	76	9325	54	9325	106	1437	7.81E-03	GST07 - 1A □□□ 100C22 MDSKA□□ 100-22 80

Observe the notes for thermal dimensioning.

Selection tables - Helical gearboxes

Naturally ventilated asynchronous geared servo motors



M ₂ [Nm]	n ₂ trans [rpm]	c	i	M ₂ max short-time on geared motor at				M ₂ Gr gearbox c=1 n ₁ ≤ 1400 rpm [Nm]	n ₂ therm [rpm]	J _{GM} referred to motor shaft [kgm ²]	Servo helical- geared motor Dimensions on Page 3-99
				8 kHz		16 kHz					
				M ₂ max [Nm]	Type EVS	M ₂ max [Nm]	Type EVS				
31	1170	3.3	2.000	93	9325	67	9325	124	1170	7.68E-03	GST07 - 1A □□□ 100C22 MDSKA□□ 100-22 80
35	1045	3.2	2.240	104	9325	75	9325	135	1045	7.60E-03	GST07 - 1A □□□ 100C22 MDSKA□□ 100-22 80
45	819	3.0	2.857	133	9325	95	9325	159	819	7.47E-03	GST07 - 1A □□□ 100C22 MDSKA□□ 100-22 80
55	669	2.6	3.500	163	9325	117	9325	172	669	7.42E-03	GST07 - 1A □□□ 100C22 MDSKA□□ 100-22 80
19	2554	3.9	1.625	69	9326	41	9326	106	1473	7.81E-03	GST07 - 1A □□□ 100C22 MDSKA□□ 100-22 140
23	2075	3.7	2.000	85	9326	51	9326	124	1224	7.68E-03	GST07 - 1A □□□ 100C22 MDSKA□□ 100-22 140
26	1853	3.6	2.240	96	9326	57	9326	135	1093	7.60E-03	GST07 - 1A □□□ 100C22 MDSKA□□ 100-22 140
33	1453	3.3	2.857	122	9326	73	9326	159	857	7.47E-03	GST07 - 1A □□□ 100C22 MDSKA□□ 100-22 140
41	1186	3.0	3.500	149	9326	89	9326	172	700	7.42E-03	GST07 - 1A □□□ 100C22 MDSKA□□ 100-22 140
39	1532	2.3	1.625	125	9326	89	9326	106	1239	1.86E-02	GST07 - 1A □□□ 112C22 MDSKA□□ 112-22 85
48	1245	2.2	2.000	154	9326	110	9326	124	1007	1.85E-02	GST07 - 1A □□□ 112C22 MDSKA□□ 112-22 85
54	1112	2.1	2.240	172	9326	123	9326	135	899	1.84E-02	GST07 - 1A □□□ 112C22 MDSKA□□ 112-22 85
27	2560	2.8	1.625	70	9326	60	9327	106	1239	1.86E-02	GST07 - 1A □□□ 112C22 MDSKA□□ 112-22 140
33	2080	2.6	2.000	87	9326	74	9327	124	1007	1.85E-02	GST07 - 1A □□□ 112C22 MDSKA□□ 112-22 140
37	1857	2.6	2.240	97	9326	83	9327	135	899	1.84E-02	GST07 - 1A □□□ 112C22 MDSKA□□ 112-22 140
73	101	5.3	39.160	169	9322	201	9323	491	101	2.89E-04	GST07 - 2A □□□ 056C22 MDSKA□□ 056-22 140
82	89	5.9	44.500	192	9322	229	9323	558	89	2.88E-04	GST07 - 2A □□□ 056C22 MDSKA□□ 056-22 140
92	80	4.7	49.500	214	9322	255	9323	493	80	2.73E-04	GST07 - 2A □□□ 056C22 MDSKA□□ 056-22 140
105	70	4.7	56.250	243	9322	289	9323	560	70	2.73E-04	GST07 - 2A □□□ 056C22 MDSKA□□ 056-22 140
91	165	5.8	24.567	300	9324	219	9324	677	165	9.32E-04	GST07 - 2A □□□ 071C22 MDSKA□□ 071-22 140
104	145	5.2	27.917	341	9324	249	9324	691	145	9.31E-04	GST07 - 2A □□□ 071C22 MDSKA□□ 071-22 140
121	126	4.6	32.267	395	9324	288	9324	698	126	8.96E-04	GST07 - 2A □□□ 071C22 MDSKA□□ 071-22 140
138	110	4.0	36.667	448	9324	327	9324	702	110	8.95E-04	GST07 - 2A □□□ 071C22 MDSKA□□ 071-22 140
148	103	3.8	39.160	479	9324	350	9324	706	103	8.79E-04	GST07 - 2A □□□ 071C22 MDSKA□□ 071-22 140
168	91	3.7	44.500	544	9324	397	9324	707	91	8.78E-04	GST07 - 2A □□□ 071C22 MDSKA□□ 071-22 140
188	82	2.8	49.500	605	9324	442	9324	600	82	8.63E-04	GST07 - 2A □□□ 071C22 MDSKA□□ 071-22 140
214	72	2.9	56.250	688	9324	502	9324	688	72	8.63E-04	GST07 - 2A □□□ 071C22 MDSKA□□ 071-22 140
108	114	6.0	17.500	256	9323	360	9324	680	114	2.14E-03	GST07 - 2A □□□ 080C22 MDSKA□□ 080-22 70
124	100	5.3	20.044	294	9323	412	9324	694	100	2.06E-03	GST07 - 2A □□□ 080C22 MDSKA□□ 080-22 70
143	88	4.6	22.778	334	9323	469	9324	682	88	2.06E-03	GST07 - 2A □□□ 080C22 MDSKA□□ 080-22 70
154	81	4.4	24.567	360	9323	505	9324	706	81	2.02E-03	GST07 - 2A □□□ 080C22 MDSKA□□ 080-22 70
176	72	3.8	27.917	409	9323	574	9324	691	72	2.02E-03	GST07 - 2A □□□ 080C22 MDSKA□□ 080-22 70
205	62	3.4	32.267	473	9323	664	9324	706	62	1.99E-03	GST07 - 2A □□□ 080C22 MDSKA□□ 080-22 70
234	55	2.9	36.667	537	9323	754	9324	702	55	1.99E-03	GST07 - 2A □□□ 080C22 MDSKA□□ 080-22 70

Observe the notes for thermal dimensioning.

Selection tables - Helical gearboxes

Naturally ventilated asynchronous geared servo motors

M ₂ [Nm]	n ₂ trans [rpm]	c	i	M ₂ max short-time on geared motor at				M ₂ Gr gearbox c=1 n ₁ ≤ 1400 rpm [Nm]	n ₂ therm [rpm]	J _{GM} referred to motor shaft [kgm ²]	Servo helical- geared motor Dimensions on Page 3-99
				8 kHz		16 kHz					
				M ₂ max [Nm]	Type EVS	M ₂ max [Nm]	Type EVS				
250	51	2.8	39.160	574	9323	806	9324	706	51	1.97E-03	GST07 - 2A □□□ 080C22 MDSKA□□ 080-22 70
285	45	2.4	44.500	652	9323	915	9324	707	45	1.97E-03	GST07 - 2A □□□ 080C22 MDSKA□□ 080-22 70
100	205	5.4	20.044	257	9324	371	9325	694	179	2.06E-03	GST07 - 2A □□□ 080C22 MDSKA□□ 080-22 140
115	180	4.6	22.778	292	9324	422	9325	682	158	2.06E-03	GST07 - 2A □□□ 080C22 MDSKA□□ 080-22 140
124	167	4.5	24.567	315	9324	455	9325	706	146	2.02E-03	GST07 - 2A □□□ 080C22 MDSKA□□ 080-22 140
142	147	3.8	27.917	358	9324	517	9325	691	129	2.02E-03	GST07 - 2A □□□ 080C22 MDSKA□□ 080-22 140
165	127	3.4	32.267	413	9324	598	9325	706	111	1.99E-03	GST07 - 2A □□□ 080C22 MDSKA□□ 080-22 140
188	112	3.0	36.667	470	9324	680	9325	702	98	1.99E-03	GST07 - 2A □□□ 080C22 MDSKA□□ 080-22 140
201	105	2.8	39.160	502	9324	726	9325	706	92	1.97E-03	GST07 - 2A □□□ 080C22 MDSKA□□ 080-22 140
229	92	2.7	44.500	570	9324	825	9325	707	81	1.97E-03	GST07 - 2A □□□ 080C22 MDSKA□□ 080-22 140
64	359	6.0	6.400	152	9324	214	9325	463	359	4.05E-03	GST07 - 2A □□□ 090C22 MDSKA□□ 090-22 80
71	322	5.7	7.150	169	9324	239	9325	489	322	4.23E-03	GST07 - 2A □□□ 090C22 MDSKA□□ 090-22 80
81	283	5.5	8.125	192	9324	272	9325	539	283	4.20E-03	GST07 - 2A □□□ 090C22 MDSKA□□ 090-22 80
88	261	5.0	8.800	208	9324	295	9325	527	261	4.07E-03	GST07 - 2A □□□ 090C22 MDSKA□□ 090-22 80
99	233	4.6	9.856	233	9324	330	9325	549	233	3.99E-03	GST07 - 2A □□□ 090C22 MDSKA□□ 090-22 80
113	205	4.4	11.200	265	9324	375	9325	598	205	3.98E-03	GST07 - 2A □□□ 090C22 MDSKA□□ 090-22 80
128	183	4.0	12.571	298	9324	421	9325	601	183	3.89E-03	GST07 - 2A □□□ 090C22 MDSKA□□ 090-22 80
146	161	3.7	14.286	338	9324	478	9325	642	161	3.88E-03	GST07 - 2A □□□ 090C22 MDSKA□□ 090-22 80
156	149	3.9	15.400	365	9324	516	9325	644	149	3.83E-03	GST07 - 2A □□□ 090C22 MDSKA□□ 090-22 80
178	131	3.7	17.500	414	9324	586	9325	680	131	3.82E-03	GST07 - 2A □□□ 090C22 MDSKA□□ 090-22 80
205	115	3.3	20.044	475	9324	671	9325	694	115	3.74E-03	GST07 - 2A □□□ 090C22 MDSKA□□ 090-22 80
234	101	2.8	22.778	539	9324	762	9325	682	101	3.74E-03	GST07 - 2A □□□ 090C22 MDSKA□□ 090-22 80
253	94	2.7	24.567	582	9324	822	9325	706	94	3.70E-03	GST07 - 2A □□□ 090C22 MDSKA□□ 090-22 80
289	82	2.3	27.917	661	9324	934	9325	691	82	3.70E-03	GST07 - 2A □□□ 090C22 MDSKA□□ 090-22 80
56	642	5.6	6.400	145	9325	174	9326	463	472	4.05E-03	GST07 - 2A □□□ 090C22 MDSKA□□ 090-22 140
63	575	5.3	7.150	162	9325	194	9326	489	356	4.23E-03	GST07 - 2A □□□ 090C22 MDSKA□□ 090-22 140
72	506	5.1	8.125	185	9325	221	9326	539	311	4.20E-03	GST07 - 2A □□□ 090C22 MDSKA□□ 090-22 140
78	467	4.6	8.800	200	9325	239	9326	527	318	4.07E-03	GST07 - 2A □□□ 090C22 MDSKA□□ 090-22 140
88	417	4.3	9.856	224	9325	268	9326	549	292	3.99E-03	GST07 - 2A □□□ 090C22 MDSKA□□ 090-22 140
100	367	4.1	11.200	254	9325	304	9326	598	254	3.98E-03	GST07 - 2A □□□ 090C22 MDSKA□□ 090-22 140
113	327	3.7	12.571	285	9325	342	9326	601	247	3.89E-03	GST07 - 2A □□□ 090C22 MDSKA□□ 090-22 140
128	288	3.5	14.286	324	9325	388	9326	642	218	3.88E-03	GST07 - 2A □□□ 090C22 MDSKA□□ 090-22 140
138	267	3.7	15.400	350	9325	418	9326	644	202	3.83E-03	GST07 - 2A □□□ 090C22 MDSKA□□ 090-22 140
157	235	3.4	17.500	397	9325	475	9326	680	178	3.82E-03	GST07 - 2A □□□ 090C22 MDSKA□□ 090-22 140

Observe the notes for thermal dimensioning.

Selection tables - Helical gearboxes

Naturally ventilated asynchronous geared servo motors



M ₂ [Nm]	n _{2 trans} [rpm]	c	i	M _{2 max} short-time on geared motor at				M _{2 Gr} gearbox c=1 n ₁ ≤ 1400 rpm [Nm]	n _{2 therm} [rpm]	J _{GM} referred to motor shaft [kgm ²]	Servo helical-geared motor Dimensions on Page 3-99
				8 kHz		16 kHz					
				M _{2 max} [Nm]	Type EVS	M _{2 max} [Nm]	Type EVS				
181	205	3.1	20.044	455	9325	545	9326	694	155	3.74E-03	GST07 - 2A □□□ 090C22 MDSKA□□ 090-22 140
206	180	2.6	22.778	517	9325	619	9326	682	137	3.74E-03	GST07 - 2A □□□ 090C22 MDSKA□□ 090-22 140
223	167	2.5	24.567	558	9325	667	9326	706	127	3.70E-03	GST07 - 2A □□□ 090C22 MDSKA□□ 090-22 140
254	147	2.2	27.917	634	9325	758	9326	691	111	3.70E-03	GST07 - 2A □□□ 090C22 MDSKA□□ 090-22 140
50	699	6.0	3.350	153	9325	110	9325	367	678	7.99E-03	GST07 - 2A □□□ 100C22 MDSKA□□ 100-22 80
64	554	5.1	4.225	194	9325	139	9325	398	554	7.97E-03	GST07 - 2A □□□ 100C22 MDSKA□□ 100-22 80
71	504	4.9	4.643	213	9325	152	9325	414	504	7.94E-03	GST07 - 2A □□□ 100C22 MDSKA□□ 100-22 80
79	450	4.5	5.200	238	9325	171	9325	427	450	7.76E-03	GST07 - 2A □□□ 100C22 MDSKA□□ 100-22 80
87	410	4.3	5.714	262	9325	187	9325	448	410	7.75E-03	GST07 - 2A □□□ 100C22 MDSKA□□ 100-22 80
98	366	3.9	6.400	293	9325	210	9325	463	366	7.65E-03	GST07 - 2A □□□ 100C22 MDSKA□□ 100-22 80
110	327	3.7	7.150	327	9325	235	9325	489	327	7.83E-03	GST07 - 2A □□□ 100C22 MDSKA□□ 100-22 80
125	288	3.6	8.125	372	9325	266	9325	539	288	7.80E-03	GST07 - 2A □□□ 100C22 MDSKA□□ 100-22 80
136	266	3.3	8.800	403	9325	289	9325	527	266	7.67E-03	GST07 - 2A □□□ 100C22 MDSKA□□ 100-22 80
153	237	3.0	9.856	451	9325	323	9325	549	237	7.59E-03	GST07 - 2A □□□ 100C22 MDSKA□□ 100-22 80
174	209	2.9	11.200	513	9325	367	9325	598	209	7.58E-03	GST07 - 2A □□□ 100C22 MDSKA□□ 100-22 80
196	186	2.6	12.571	576	9325	412	9325	601	186	7.49E-03	GST07 - 2A □□□ 100C22 MDSKA□□ 100-22 80
223	164	2.4	14.286	654	9325	469	9325	642	164	7.48E-03	GST07 - 2A □□□ 100C22 MDSKA□□ 100-22 80
240	152	2.6	15.400	705	9325	505	9325	644	152	7.43E-03	GST07 - 2A □□□ 100C22 MDSKA□□ 100-22 80
273	134	2.4	17.500	801	9325	574	9325	680	134	7.42E-03	GST07 - 2A □□□ 100C22 MDSKA□□ 100-22 80
47	982	5.8	4.225	178	9326	106	9326	398	580	7.97E-03	GST07 - 2A □□□ 100C22 MDSKA□□ 100-22 140
52	894	5.5	4.643	195	9326	116	9326	414	527	7.94E-03	GST07 - 2A □□□ 100C22 MDSKA□□ 100-22 140
58	798	5.0	5.200	219	9326	130	9326	427	471	7.76E-03	GST07 - 2A □□□ 100C22 MDSKA□□ 100-22 140
64	726	4.8	5.714	240	9326	143	9326	448	429	7.75E-03	GST07 - 2A □□□ 100C22 MDSKA□□ 100-22 140
72	648	4.4	6.400	269	9326	160	9326	463	383	7.65E-03	GST07 - 2A □□□ 100C22 MDSKA□□ 100-22 140
81	580	4.2	7.150	300	9326	179	9326	489	339	7.83E-03	GST07 - 2A □□□ 100C22 MDSKA□□ 100-22 140
92	511	4.1	8.125	341	9326	203	9326	539	297	7.80E-03	GST07 - 2A □□□ 100C22 MDSKA□□ 100-22 140
100	472	3.7	8.800	370	9326	220	9326	527	278	7.67E-03	GST07 - 2A □□□ 100C22 MDSKA□□ 100-22 140
112	421	3.4	9.856	414	9326	247	9326	549	248	7.59E-03	GST07 - 2A □□□ 100C22 MDSKA□□ 100-22 140
127	371	3.3	11.200	471	9326	280	9326	598	219	7.58E-03	GST07 - 2A □□□ 100C22 MDSKA□□ 100-22 140
143	330	2.9	12.571	528	9326	315	9326	601	195	7.49E-03	GST07 - 2A □□□ 100C22 MDSKA□□ 100-22 140
163	291	2.7	14.286	600	9326	358	9326	642	171	7.48E-03	GST07 - 2A □□□ 100C22 MDSKA□□ 100-22 140
176	269	2.9	15.400	647	9326	386	9326	644	159	7.43E-03	GST07 - 2A □□□ 100C22 MDSKA□□ 100-22 140
200	237	2.7	17.500	735	9326	438	9326	680	140	7.42E-03	GST07 - 2A □□□ 100C22 MDSKA□□ 100-22 140
70	817	4.1	3.048	231	9326	165	9326	351	661	1.88E-02	GST07 - 2A □□□ 112C22 MDSKA□□ 112-22 85

Observe the notes for thermal dimensioning.

Selection tables - Helical gearboxes

Naturally ventilated asynchronous geared servo motors

M ₂ [Nm]	n ₂ trans [rpm]	c	i	M ₂ max short-time on geared motor at				M ₂ Gr gearbox c=1 n ₁ ≤ 1400 rpm [Nm]	n ₂ therm [rpm]	J _{GM} referred to motor shaft [kgm ²]	Servo helical- geared motor Dimensions on Page 3-99
				8 kHz		16 kHz					
				M ₂ max [Nm]	Type EVS	M ₂ max [Nm]	Type EVS				
78	743	3.9	3.350	254	9326	181	9326	367	601	1.88E-02	GST07 - 2A □□□ 112C22 MDSKA□□ 112-22 85
98	589	3.3	4.225	320	9326	229	9326	398	477	1.88E-02	GST07 - 2A □□□ 112C22 MDSKA□□ 112-22 85
108	536	3.2	4.643	351	9326	251	9326	414	434	1.87E-02	GST07 - 2A □□□ 112C22 MDSKA□□ 112-22 85
122	479	2.9	5.200	394	9326	282	9326	427	387	1.86E-02	GST07 - 2A □□□ 112C22 MDSKA□□ 112-22 85
134	436	2.8	5.714	432	9326	309	9326	448	352	1.85E-02	GST07 - 2A □□□ 112C22 MDSKA□□ 112-22 85
150	389	2.6	6.400	484	9326	347	9326	463	315	1.84E-02	GST07 - 2A □□□ 112C22 MDSKA□□ 112-22 85
168	348	2.4	7.150	541	9326	387	9326	489	282	1.86E-02	GST07 - 2A □□□ 112C22 MDSKA□□ 112-22 85
191	306	2.3	8.125	615	9326	440	9326	539	248	1.86E-02	GST07 - 2A □□□ 112C22 MDSKA□□ 112-22 85
208	283	2.1	8.800	666	9326	476	9326	527	229	1.85E-02	GST07 - 2A □□□ 112C22 MDSKA□□ 112-22 85
233	253	2.0	9.856	746	9326	534	9326	549	204	1.84E-02	GST07 - 2A □□□ 112C22 MDSKA□□ 112-22 85
265	222	1.9	11.200	848	9326	606	9326	598	180	1.84E-02	GST07 - 2A □□□ 112C22 MDSKA□□ 112-22 85
48	1365	5.0	3.048	130	9326	111	9327	351	661	1.88E-02	GST07 - 2A □□□ 112C22 MDSKA□□ 112-22 140
53	1242	4.7	3.350	143	9326	122	9327	367	601	1.88E-02	GST07 - 2A □□□ 112C22 MDSKA□□ 112-22 140
67	985	4.1	4.225	180	9326	154	9327	398	477	1.88E-02	GST07 - 2A □□□ 112C22 MDSKA□□ 112-22 140
74	896	3.8	4.643	198	9326	169	9327	414	434	1.87E-02	GST07 - 2A □□□ 112C22 MDSKA□□ 112-22 140
84	800	3.5	5.200	222	9326	189	9327	427	387	1.86E-02	GST07 - 2A □□□ 112C22 MDSKA□□ 112-22 140
92	728	3.4	5.714	243	9326	208	9327	448	352	1.85E-02	GST07 - 2A □□□ 112C22 MDSKA□□ 112-22 140
103	650	3.1	6.400	273	9326	233	9327	463	315	1.84E-02	GST07 - 2A □□□ 112C22 MDSKA□□ 112-22 140
116	582	2.9	7.150	305	9326	260	9327	489	282	1.86E-02	GST07 - 2A □□□ 112C22 MDSKA□□ 112-22 140
131	512	2.9	8.125	346	9326	296	9327	539	248	1.86E-02	GST07 - 2A □□□ 112C22 MDSKA□□ 112-22 140
143	473	2.6	8.800	375	9326	320	9327	527	229	1.85E-02	GST07 - 2A □□□ 112C22 MDSKA□□ 112-22 140
160	422	2.4	9.856	420	9326	359	9327	549	204	1.84E-02	GST07 - 2A □□□ 112C22 MDSKA□□ 112-22 140
182	371	2.3	11.200	477	9326	408	9327	598	180	1.84E-02	GST07 - 2A □□□ 112C22 MDSKA□□ 112-22 140
119	61	5.2	65.079	277	9322	330	9323	707	61	2.71E-04	GST07 - 3A □□□ 056C22 MDSKA□□ 056-22 140
129	56	4.8	70.156	298	9322	355	9323	706	56	2.83E-04	GST07 - 3A □□□ 056C22 MDSKA□□ 056-22 140
147	50	4.2	79.762	339	9322	404	9323	710	50	2.94E-04	GST07 - 3A □□□ 056C22 MDSKA□□ 056-22 140
159	46	3.9	85.983	366	9322	436	9323	706	46	2.80E-04	GST07 - 3A □□□ 056C22 MDSKA□□ 056-22 140
182	40	3.5	97.708	416	9322	495	9323	710	40	2.80E-04	GST07 - 3A □□□ 056C22 MDSKA□□ 056-22 140
209	35	3.0	111.915	476	9322	567	9323	706	35	2.64E-04	GST07 - 3A □□□ 056C22 MDSKA□□ 056-22 140
239	31	2.7	127.176	541	9322	644	9323	710	31	2.64E-04	GST07 - 3A □□□ 056C22 MDSKA□□ 056-22 140
262	28	2.4	139.211	592	9322	705	9323	706	28	2.57E-04	GST07 - 3A □□□ 056C22 MDSKA□□ 056-22 140
299	25	2.1	158.194	673	9322	801	9323	710	25	2.57E-04	GST07 - 3A □□□ 056C22 MDSKA□□ 056-22 140
341	22	1.9	180.156	766	9322	913	9323	706	22	2.51E-04	GST07 - 3A □□□ 056C22 MDSKA□□ 056-22 140
389	19	1.7	204.722	871	9322	1037	9323	710	19	2.51E-04	GST07 - 3A □□□ 056C22 MDSKA□□ 056-22 140

Observe the notes for thermal dimensioning.

Selection tables - Helical gearboxes

Naturally ventilated asynchronous geared servo motors



M ₂ [Nm]	n _{2 trans} [rpm]	c	i	M _{2 max} short-time on geared motor at				M _{2 Gr} gearbox c=1 n ₁ ≤ 1400 rpm [Nm]	n _{2 therm} [rpm]	J _{GM} referred to motor shaft [kgm ²]	Servo helical- geared motor Dimensions on Page 3-99
				8 kHz		16 kHz					
				M _{2 max} [Nm]	Type EVS	M _{2 max} [Nm]	Type EVS				
450	17	1.4	236.622	1006	9322	1059	9323	706	17	2.50E-04	GST07 - 3A □□□ 056C22 MDSKA□□ 056-22 140
473	16	1.4	248.458	1057	9322	1065	9323	710	16	2.48E-04	GST07 - 3A □□□ 056C22 MDSKA□□ 056-22 140
513	15	1.3	268.889	1065	9322	1065	9323	710	15	2.50E-04	GST07 - 3A □□□ 056C22 MDSKA□□ 056-22 140
623	12	1.0	326.333	1065	9322	1065	9323	710	12	2.47E-04	GST07 - 3A □□□ 056C22 MDSKA□□ 056-22 140
146	103	3.8	39.200	472	9324	345	9324	692	103	9.27E-04	GST07 - 3A □□□ 071C22 MDSKA□□ 071-22 140
163	92	3.8	44.000	530	9324	387	9324	706	92	8.83E-04	GST07 - 3A □□□ 071C22 MDSKA□□ 071-22 140
190	79	3.2	51.022	614	9324	449	9324	700	79	9.14E-04	GST07 - 3A □□□ 071C22 MDSKA□□ 071-22 140
202	75	3.1	53.900	649	9324	474	9324	706	75	8.78E-04	GST07 - 3A □□□ 071C22 MDSKA□□ 071-22 140
245	62	2.6	65.079	784	9324	572	9324	707	62	8.61E-04	GST07 - 3A □□□ 071C22 MDSKA□□ 071-22 140
264	58	2.4	70.156	845	9324	617	9324	706	58	8.73E-04	GST07 - 3A □□□ 071C22 MDSKA□□ 071-22 140
301	51	2.1	79.762	961	9324	701	9324	710	51	8.84E-04	GST07 - 3A □□□ 071C22 MDSKA□□ 071-22 140
325	47	1.9	85.983	1035	9324	756	9324	706	47	8.70E-04	GST07 - 3A □□□ 071C22 MDSKA□□ 071-22 140
371	41	1.7	97.708	1065	9324	859	9324	710	41	8.70E-04	GST07 - 3A □□□ 071C22 MDSKA□□ 071-22 140
426	36	1.5	111.915	1059	9324	984	9324	706	36	8.54E-04	GST07 - 3A □□□ 071C22 MDSKA□□ 071-22 140
485	32	1.3	127.176	1065	9324	1065	9324	710	32	8.54E-04	GST07 - 3A □□□ 071C22 MDSKA□□ 071-22 140
531	29	1.2	139.211	1059	9324	1059	9324	706	29	8.47E-04	GST07 - 3A □□□ 071C22 MDSKA□□ 071-22 140
604	26	1.1	158.194	1065	9324	1065	9324	710	26	8.47E-04	GST07 - 3A □□□ 071C22 MDSKA□□ 071-22 140
246	51	2.8	39.200	566	9323	794	9324	692	51	2.02E-03	GST07 - 3A □□□ 080C22 MDSKA□□ 080-22 70
277	45	2.5	44.000	635	9323	892	9324	706	45	1.97E-03	GST07 - 3A □□□ 080C22 MDSKA□□ 080-22 70
323	39	2.1	51.022	736	9323	1034	9324	700	39	2.00E-03	GST07 - 3A □□□ 080C22 MDSKA□□ 080-22 70
341	37	2.0	53.900	778	9323	1059	9324	706	37	1.97E-03	GST07 - 3A □□□ 080C22 MDSKA□□ 080-22 70
447	29	1.6	70.156	1012	9323	1059	9324	706	29	1.96E-03	GST07 - 3A □□□ 080C22 MDSKA□□ 080-22 70
509	25	1.4	79.762	1065	9323	1065	9324	710	25	1.97E-03	GST07 - 3A □□□ 080C22 MDSKA□□ 080-22 70
549	23	1.3	85.983	1059	9323	1059	9324	706	23	1.96E-03	GST07 - 3A □□□ 080C22 MDSKA□□ 080-22 70
625	20	1.1	97.708	1065	9323	1065	9324	710	20	1.96E-03	GST07 - 3A □□□ 080C22 MDSKA□□ 080-22 70
199	105	2.8	39.200	495	9324	716	9325	692	92	2.02E-03	GST07 - 3A □□□ 080C22 MDSKA□□ 080-22 140
223	93	2.8	44.000	555	9324	803	9325	706	82	1.97E-03	GST07 - 3A □□□ 080C22 MDSKA□□ 080-22 140
259	80	2.4	51.022	644	9324	931	9325	700	70	2.00E-03	GST07 - 3A □□□ 080C22 MDSKA□□ 080-22 140
274	76	2.3	53.900	680	9324	984	9325	706	67	1.97E-03	GST07 - 3A □□□ 080C22 MDSKA□□ 080-22 140
359	58	1.8	70.156	885	9324	1059	9325	706	51	1.96E-03	GST07 - 3A □□□ 080C22 MDSKA□□ 080-22 140
409	51	1.6	79.762	1006	9324	1065	9325	710	45	1.97E-03	GST07 - 3A □□□ 080C22 MDSKA□□ 080-22 140
442	48	1.4	85.983	1059	9324	1059	9325	706	42	1.96E-03	GST07 - 3A □□□ 080C22 MDSKA□□ 080-22 140
503	42	1.3	97.708	1065	9324	1065	9325	710	37	1.96E-03	GST07 - 3A □□□ 080C22 MDSKA□□ 080-22 140
46	273	5.0	7.333	109	9323	153	9324	265	273	2.15E-03	GST09 - 1A □□□ 080C22 MDSKA□□ 080-22 70

Observe the notes for thermal dimensioning.

Selection tables - Helical gearboxes

Naturally ventilated asynchronous geared servo motors

M ₂ [Nm]	n _{2 trans} [rpm]	c	i	M _{2 max} short-time on geared motor at				M _{2 Gr} gearbox c=1 n ₁ ≤ 1400 rpm [Nm]	n _{2 therm} [rpm]	J _{GM} referred to motor shaft [kgm ²]	Servo helical- geared motor Dimensions on Page 3-99
				8 kHz		16 kHz					
				M _{2 max} [Nm]	Type EVS	M _{2 max} [Nm]	Type EVS				
57	225	4.2	8.900	132	9323	186	9324	269	225	2.09E-03	GST09 - 1A □□□ 080C22 MDSKA□□ 080-22 70
72	178	3.3	11.250	167	9323	235	9324	273	178	2.03E-03	GST09 - 1A □□□ 080C22 MDSKA□□ 080-22 70
37	559	4.9	7.333	95	9324	138	9325	265	490	2.15E-03	GST09 - 1A □□□ 080C22 MDSKA□□ 080-22 140
46	461	4.1	8.900	116	9324	167	9325	269	403	2.09E-03	GST09 - 1A □□□ 080C22 MDSKA□□ 080-22 140
58	364	3.3	11.250	146	9324	212	9325	273	319	2.03E-03	GST09 - 1A □□□ 080C22 MDSKA□□ 080-22 140
48	493	5.0	4.667	112	9324	159	9325	289	493	4.06E-03	GST09 - 1A □□□ 090C22 MDSKA□□ 090-22 80
58	406	4.3	5.667	136	9324	193	9325	299	406	3.95E-03	GST09 - 1A □□□ 090C22 MDSKA□□ 090-22 80
76	314	3.4	7.333	176	9324	249	9325	310	314	3.83E-03	GST09 - 1A □□□ 090C22 MDSKA□□ 090-22 80
93	258	2.9	8.900	214	9324	302	9325	315	258	3.77E-03	GST09 - 1A □□□ 090C22 MDSKA□□ 090-22 80
42	881	4.7	4.667	108	9325	129	9326	289	667	4.06E-03	GST09 - 1A □□□ 090C22 MDSKA□□ 090-22 140
51	725	4.0	5.667	131	9325	156	9326	299	549	3.95E-03	GST09 - 1A □□□ 090C22 MDSKA□□ 090-22 140
67	560	3.2	7.333	169	9325	202	9326	310	424	3.83E-03	GST09 - 1A □□□ 090C22 MDSKA□□ 090-22 140
82	462	2.7	8.900	205	9325	246	9326	315	350	3.77E-03	GST09 - 1A □□□ 090C22 MDSKA□□ 090-22 140
72	501	4.4	4.667	217	9325	155	9325	379	501	7.66E-03	GST09 - 1A □□□ 100C22 MDSKA□□ 100-22 80
88	413	4.4	5.667	264	9325	189	9325	465	413	7.55E-03	GST09 - 1A □□□ 100C22 MDSKA□□ 100-22 80
53	889	4.9	4.667	199	9326	119	9326	379	525	7.66E-03	GST09 - 1A □□□ 100C22 MDSKA□□ 100-22 140
64	732	4.9	5.667	242	9326	144	9326	465	432	7.55E-03	GST09 - 1A □□□ 100C22 MDSKA□□ 100-22 140
47	1216	5.8	2.048	157	9326	113	9326	338	983	1.96E-02	GST09 - 1A □□□ 112C22 MDSKA□□ 112-22 85
54	1067	5.5	2.333	179	9326	128	9326	370	863	1.92E-02	GST09 - 1A □□□ 112C22 MDSKA□□ 112-22 85
65	886	5.2	2.810	216	9326	154	9326	418	717	1.90E-02	GST09 - 1A □□□ 112C22 MDSKA□□ 112-22 85
81	723	4.5	3.444	265	9326	189	9326	443	585	1.87E-02	GST09 - 1A □□□ 112C22 MDSKA□□ 112-22 85
55	1208	5.5	3.444	149	9326	127	9327	443	585	1.87E-02	GST09 - 1A □□□ 112C22 MDSKA□□ 112-22 140
200	62	5.5	32.267	473	9323	664	9324	1147	62	2.15E-03	GST09 - 2A □□□ 080C22 MDSKA□□ 080-22 70
227	55	5.5	36.667	537	9323	754	9324	1304	55	2.14E-03	GST09 - 2A □□□ 080C22 MDSKA□□ 080-22 70
245	51	4.6	39.160	574	9323	806	9324	1166	51	2.08E-03	GST09 - 2A □□□ 080C22 MDSKA□□ 080-22 70
279	45	4.6	44.500	652	9323	915	9324	1324	45	2.08E-03	GST09 - 2A □□□ 080C22 MDSKA□□ 080-22 70
313	40	3.7	49.500	725	9323	1018	9324	1184	40	2.03E-03	GST09 - 2A □□□ 080C22 MDSKA□□ 080-22 70
356	36	3.7	56.250	824	9323	1157	9324	1345	36	2.03E-03	GST09 - 2A □□□ 080C22 MDSKA□□ 080-22 70
161	127	5.5	32.267	413	9324	598	9325	1147	111	2.15E-03	GST09 - 2A □□□ 080C22 MDSKA□□ 080-22 140
183	112	5.5	36.667	470	9324	680	9325	1304	98	2.14E-03	GST09 - 2A □□□ 080C22 MDSKA□□ 080-22 140
198	105	4.6	39.160	502	9324	726	9325	1166	92	2.08E-03	GST09 - 2A □□□ 080C22 MDSKA□□ 080-22 140
223	92	5.1	44.500	570	9324	825	9325	1324	81	2.08E-03	GST09 - 2A □□□ 080C22 MDSKA□□ 080-22 140
251	83	4.1	49.500	634	9324	917	9325	1184	73	2.03E-03	GST09 - 2A □□□ 080C22 MDSKA□□ 080-22 140
285	73	4.1	56.250	720	9324	1042	9325	1345	64	2.03E-03	GST09 - 2A □□□ 080C22 MDSKA□□ 080-22 140

Observe the notes for thermal dimensioning.

Selection tables - Helical gearboxes

Naturally ventilated asynchronous geared servo motors



M ₂ [Nm]	n ₂ trans [rpm]	c	i	M ₂ max short-time on geared motor at				M ₂ Gr gearbox c=1 n ₁ ≤ 1400 rpm [Nm]	n ₂ therm [rpm]	J _{GM} referred to motor shaft [kgm ²]	Servo helical- geared motor Dimensions on Page 3-99
				8 kHz		16 kHz					
				M ₂ max [Nm]	Type EVS	M ₂ max [Nm]	Type EVS				
205	112	5.7	20.533	486	9324	687	9325	1251	112	4.05E-03	GST09 - 2A □□□ 090C22 MDSKA□□ 090-22 80
233	99	5.7	23.333	552	9324	781	9325	1421	99	4.04E-03	GST09 - 2A □□□ 090C22 MDSKA□□ 090-22 80
251	92	4.9	24.933	590	9324	835	9325	1296	92	3.94E-03	GST09 - 2A □□□ 090C22 MDSKA□□ 090-22 80
285	81	4.9	28.333	671	9324	948	9325	1472	81	3.93E-03	GST09 - 2A □□□ 090C22 MDSKA□□ 090-22 80
328	71	3.9	32.267	764	9324	1080	9325	1343	71	3.83E-03	GST09 - 2A □□□ 090C22 MDSKA□□ 090-22 80
373	63	3.9	36.667	868	9324	1227	9325	1526	63	3.82E-03	GST09 - 2A □□□ 090C22 MDSKA□□ 090-22 80
401	59	3.3	39.160	927	9324	1311	9325	1364	59	3.76E-03	GST09 - 2A □□□ 090C22 MDSKA□□ 090-22 80
455	52	3.3	44.500	1054	9324	1490	9325	1546	52	3.76E-03	GST09 - 2A □□□ 090C22 MDSKA□□ 090-22 80
181	200	5.4	20.533	466	9325	558	9326	1251	152	4.05E-03	GST09 - 2A □□□ 090C22 MDSKA□□ 090-22 140
205	176	5.4	23.333	530	9325	634	9326	1421	133	4.04E-03	GST09 - 2A □□□ 090C22 MDSKA□□ 090-22 140
221	165	4.6	24.933	566	9325	677	9326	1296	125	3.94E-03	GST09 - 2A □□□ 090C22 MDSKA□□ 090-22 140
252	145	4.6	28.333	643	9325	770	9326	1472	110	3.93E-03	GST09 - 2A □□□ 090C22 MDSKA□□ 090-22 140
289	127	3.7	32.267	733	9325	877	9326	1343	96	3.83E-03	GST09 - 2A □□□ 090C22 MDSKA□□ 090-22 140
329	112	3.7	36.667	833	9325	996	9326	1526	85	3.82E-03	GST09 - 2A □□□ 090C22 MDSKA□□ 090-22 140
353	105	3.1	39.160	889	9325	1064	9326	1364	79	3.76E-03	GST09 - 2A □□□ 090C22 MDSKA□□ 090-22 140
400	92	3.4	44.500	1010	9325	1209	9326	1546	70	3.76E-03	GST09 - 2A □□□ 090C22 MDSKA□□ 090-22 140
176	201	5.6	11.667	534	9325	383	9325	1206	201	8.41E-03	GST09 - 2A □□□ 100C22 MDSKA□□ 100-22 80
186	189	5.5	12.362	566	9325	405	9325	1253	189	8.18E-03	GST09 - 2A □□□ 100C22 MDSKA□□ 100-22 80
213	167	5.0	14.048	643	9325	461	9325	1283	167	8.15E-03	GST09 - 2A □□□ 100C22 MDSKA□□ 100-22 80
229	154	5.5	15.156	694	9325	497	9325	1340	154	7.97E-03	GST09 - 2A □□□ 100C22 MDSKA□□ 100-22 80
261	136	4.9	17.222	789	9325	565	9325	1373	136	7.95E-03	GST09 - 2A □□□ 100C22 MDSKA□□ 100-22 80
313	114	4.5	20.533	940	9325	673	9325	1484	114	7.65E-03	GST09 - 2A □□□ 100C22 MDSKA□□ 100-22 80
358	100	4.0	23.333	1069	9325	765	9325	1508	100	7.64E-03	GST09 - 2A □□□ 100C22 MDSKA□□ 100-22 80
382	94	3.9	24.933	1142	9325	818	9325	1582	94	7.54E-03	GST09 - 2A □□□ 100C22 MDSKA□□ 100-22 80
437	83	3.3	28.333	1298	9325	929	9325	1519	83	7.53E-03	GST09 - 2A □□□ 100C22 MDSKA□□ 100-22 80
156	295	5.6	14.048	590	9326	352	9326	1283	174	8.15E-03	GST09 - 2A □□□ 100C22 MDSKA□□ 100-22 140
191	241	5.5	17.222	724	9326	431	9326	1373	142	7.95E-03	GST09 - 2A □□□ 100C22 MDSKA□□ 100-22 140
229	202	5.0	20.533	863	9326	514	9326	1484	119	7.65E-03	GST09 - 2A □□□ 100C22 MDSKA□□ 100-22 140
262	178	4.5	23.333	980	9326	584	9326	1508	105	7.64E-03	GST09 - 2A □□□ 100C22 MDSKA□□ 100-22 140
280	166	4.4	24.933	1048	9326	624	9326	1582	98	7.54E-03	GST09 - 2A □□□ 100C22 MDSKA□□ 100-22 140
321	146	3.7	28.333	1190	9326	709	9326	1519	86	7.53E-03	GST09 - 2A □□□ 100C22 MDSKA□□ 100-22 140
151	374	5.7	6.667	505	9326	361	9326	1065	302	1.94E-02	GST09 - 2A □□□ 112C22 MDSKA□□ 112-22 85
167	341	5.3	7.305	553	9326	396	9326	1103	276	1.91E-02	GST09 - 2A □□□ 112C22 MDSKA□□ 112-22 85
184	310	5.0	8.027	608	9326	435	9326	1133	251	1.91E-02	GST09 - 2A □□□ 112C22 MDSKA□□ 112-22 85

Observe the notes for thermal dimensioning.

Selection tables - Helical gearboxes

Naturally ventilated asynchronous geared servo motors

M ₂ [Nm]	n ₂ trans [rpm]	c	i	M ₂ max short-time on geared motor at				M ₂ Gr gearbox c=1 n ₁ ≤ 1400 rpm [Nm]	n ₂ therm [rpm]	J _{GM} referred to motor shaft [kgm ²]	Servo helical- geared motor Dimensions on Page 3-99
				8 kHz		16 kHz					
				M ₂ max [Nm]	Type EVS	M ₂ max [Nm]	Type EVS				
207	276	4.4	9.010	682	9326	488	9326	1128	223	1.95E-02	GST09 - 2A □□□ 112C22 MDSKA□□ 112-22 85
237	243	4.1	10.267	777	9326	556	9326	1178	196	1.92E-02	GST09 - 2A □□□ 112C22 MDSKA□□ 112-22 85
271	213	3.7	11.667	883	9326	632	9326	1206	173	1.92E-02	GST09 - 2A □□□ 112C22 MDSKA□□ 112-22 85
287	201	3.6	12.362	936	9326	669	9326	1253	163	1.90E-02	GST09 - 2A □□□ 112C22 MDSKA□□ 112-22 85
328	177	3.2	14.048	1063	9326	761	9326	1283	143	1.90E-02	GST09 - 2A □□□ 112C22 MDSKA□□ 112-22 85
352	164	3.6	15.156	1147	9326	821	9326	1340	133	1.88E-02	GST09 - 2A □□□ 112C22 MDSKA□□ 112-22 85
402	145	3.2	17.222	1303	9326	932	9326	1373	117	1.87E-02	GST09 - 2A □□□ 112C22 MDSKA□□ 112-22 85
142	462	5.4	9.010	384	9326	328	9327	1128	223	1.95E-02	GST09 - 2A □□□ 112C22 MDSKA□□ 112-22 140
162	405	5.0	10.267	437	9326	374	9327	1178	196	1.92E-02	GST09 - 2A □□□ 112C22 MDSKA□□ 112-22 140
186	357	4.5	11.667	497	9326	425	9327	1206	173	1.92E-02	GST09 - 2A □□□ 112C22 MDSKA□□ 112-22 140
197	337	4.4	12.362	527	9326	450	9327	1253	163	1.90E-02	GST09 - 2A □□□ 112C22 MDSKA□□ 112-22 140
225	296	3.9	14.048	598	9326	511	9327	1283	143	1.90E-02	GST09 - 2A □□□ 112C22 MDSKA□□ 112-22 140
241	274	4.3	15.156	646	9326	551	9327	1340	133	1.88E-02	GST09 - 2A □□□ 112C22 MDSKA□□ 112-22 140
276	242	3.9	17.222	734	9326	627	9327	1373	117	1.87E-02	GST09 - 2A □□□ 112C22 MDSKA□□ 112-22 140
234	31	6.0	129.074	549	9322	654	9323	1612	31	3.05E-04	GST09 - 3A □□□ 056C22 MDSKA□□ 056-22 140
257	28	5.5	141.289	601	9322	716	9323	1613	28	2.86E-04	GST09 - 3A □□□ 056C22 MDSKA□□ 056-22 140
295	25	4.8	160.556	683	9322	813	9323	1623	25	2.86E-04	GST09 - 3A □□□ 056C22 MDSKA□□ 056-22 140
338	22	4.2	182.844	778	9322	926	9323	1613	22	2.70E-04	GST09 - 3A □□□ 056C22 MDSKA□□ 056-22 140
386	19	3.7	207.778	884	9322	1052	9323	1623	19	2.70E-04	GST09 - 3A □□□ 056C22 MDSKA□□ 056-22 140
442	17	3.3	236.622	1006	9322	1199	9323	1613	17	2.68E-04	GST09 - 3A □□□ 056C22 MDSKA□□ 056-22 140
472	16	3.1	252.167	1072	9322	1277	9323	1623	16	2.61E-04	GST09 - 3A □□□ 056C22 MDSKA□□ 056-22 140
504	15	2.9	268.889	1144	9322	1362	9323	1623	15	2.68E-04	GST09 - 3A □□□ 056C22 MDSKA□□ 056-22 140
615	12	2.4	326.333	1388	9322	1653	9323	1623	12	2.60E-04	GST09 - 3A □□□ 056C22 MDSKA□□ 056-22 140
686	11	2.1	363.000	1544	9322	1839	9323	1613	11	2.66E-04	GST09 - 3A □□□ 056C22 MDSKA□□ 056-22 140
781	9.6	1.9	412.500	1754	9322	2089	9323	1623	9.6	2.58E-04	GST09 - 3A □□□ 056C22 MDSKA□□ 056-22 140
264	56	4.9	71.867	865	9324	632	9324	1477	56	9.47E-04	GST09 - 3A □□□ 071C22 MDSKA□□ 071-22 140
300	50	4.6	81.667	983	9324	718	9324	1584	50	9.46E-04	GST09 - 3A □□□ 071C22 MDSKA□□ 071-22 140
346	43	4.1	93.541	1126	9324	822	9324	1613	43	9.01E-04	GST09 - 3A □□□ 071C22 MDSKA□□ 071-22 140
368	41	3.8	99.167	1194	9324	872	9324	1596	41	9.37E-04	GST09 - 3A □□□ 071C22 MDSKA□□ 071-22 140
423	36	3.4	113.585	1368	9324	999	9324	1613	36	8.95E-04	GST09 - 3A □□□ 071C22 MDSKA□□ 071-22 140
483	31	3.0	129.074	1554	9324	1135	9324	1612	31	8.95E-04	GST09 - 3A □□□ 071C22 MDSKA□□ 071-22 140
530	29	2.7	141.289	1701	9324	1242	9324	1613	29	8.76E-04	GST09 - 3A □□□ 071C22 MDSKA□□ 071-22 140
605	25	2.4	160.556	1933	9324	1412	9324	1623	25	8.76E-04	GST09 - 3A □□□ 071C22 MDSKA□□ 071-22 140
691	22	2.1	182.844	2202	9324	1608	9324	1613	22	8.60E-04	GST09 - 3A □□□ 071C22 MDSKA□□ 071-22 140

Observe the notes for thermal dimensioning.

Selection tables - Helical gearboxes

Naturally ventilated asynchronous geared servo motors



M ₂ [Nm]	n ₂ trans [rpm]	c	i	M ₂ max short-time on geared motor at				M ₂ Gr gearbox c=1 n ₁ ≤ 1400 rpm [Nm]	n ₂ therm [rpm]	J _{GM} referred to motor shaft [kgm ²]	Servo helical- geared motor Dimensions on Page 3-99
				8 kHz		16 kHz					
				M ₂ max [Nm]	Type EVS	M ₂ max [Nm]	Type EVS				
787	19	1.8	207.778	2435	9324	1827	9324	1623	19	8.60E-04	GST09 - 3A □□□ 071C22 MDSKA□□ 071-22 140
899	17	1.6	236.622	2420	9324	2080	9324	1613	17	8.58E-04	GST09 - 3A □□□ 071C22 MDSKA□□ 071-22 140
959	16	1.5	252.167	2435	9324	2217	9324	1623	16	8.51E-04	GST09 - 3A □□□ 071C22 MDSKA□□ 071-22 140
1023	15	1.4	268.889	2435	9324	2364	9324	1623	15	8.58E-04	GST09 - 3A □□□ 071C22 MDSKA□□ 071-22 140
1245	12	1.2	326.333	2435	9324	2435	9324	1623	12	8.50E-04	GST09 - 3A □□□ 071C22 MDSKA□□ 071-22 140
246	50	5.2	40.136	579	9323	813	9324	1344	50	2.13E-03	GST09 - 3A □□□ 080C22 MDSKA□□ 080-22 70
266	46	4.7	43.267	624	9323	877	9324	1290	46	2.08E-03	GST09 - 3A □□□ 080C22 MDSKA□□ 080-22 70
303	41	4.7	49.167	710	9323	996	9324	1466	41	2.07E-03	GST09 - 3A □□□ 080C22 MDSKA□□ 080-22 70
329	38	4.1	53.044	766	9323	1075	9324	1379	38	2.06E-03	GST09 - 3A □□□ 080C22 MDSKA□□ 080-22 70
374	33	4.1	60.278	870	9323	1221	9324	1565	33	2.06E-03	GST09 - 3A □□□ 080C22 MDSKA□□ 080-22 70
450	28	3.2	71.867	1037	9323	1456	9324	1477	28	2.04E-03	GST09 - 3A □□□ 080C22 MDSKA□□ 080-22 70
512	24	3.0	81.667	1179	9323	1655	9324	1584	24	2.04E-03	GST09 - 3A □□□ 080C22 MDSKA□□ 080-22 70
588	21	2.7	93.541	1350	9323	1895	9324	1613	21	1.99E-03	GST09 - 3A □□□ 080C22 MDSKA□□ 080-22 70
625	20	2.5	99.167	1431	9323	2009	9324	1596	20	2.03E-03	GST09 - 3A □□□ 080C22 MDSKA□□ 080-22 70
718	18	2.2	113.585	1639	9323	2301	9324	1613	18	1.99E-03	GST09 - 3A □□□ 080C22 MDSKA□□ 080-22 70
818	15	2.0	129.074	1863	9323	2418	9324	1612	15	1.98E-03	GST09 - 3A □□□ 080C22 MDSKA□□ 080-22 70
897	14	1.8	141.289	2039	9323	2420	9324	1613	14	1.97E-03	GST09 - 3A □□□ 080C22 MDSKA□□ 080-22 70
1022	12	1.6	160.556	2317	9323	2435	9324	1623	12	1.97E-03	GST09 - 3A □□□ 080C22 MDSKA□□ 080-22 70
198	102	5.3	40.136	506	9324	733	9325	1344	89	2.13E-03	GST09 - 3A □□□ 080C22 MDSKA□□ 080-22 140
213	95	5.2	43.267	546	9324	790	9325	1290	83	2.08E-03	GST09 - 3A □□□ 080C22 MDSKA□□ 080-22 140
243	83	5.2	49.167	620	9324	898	9325	1466	73	2.07E-03	GST09 - 3A □□□ 080C22 MDSKA□□ 080-22 140
264	77	4.5	53.044	669	9324	968	9325	1379	68	2.06E-03	GST09 - 3A □□□ 080C22 MDSKA□□ 080-22 140
300	68	4.5	60.278	760	9324	1100	9325	1565	60	2.06E-03	GST09 - 3A □□□ 080C22 MDSKA□□ 080-22 140
361	57	3.6	71.867	907	9324	1312	9325	1477	50	2.04E-03	GST09 - 3A □□□ 080C22 MDSKA□□ 080-22 140
411	50	3.4	81.667	1030	9324	1491	9325	1584	44	2.04E-03	GST09 - 3A □□□ 080C22 MDSKA□□ 080-22 140
473	44	3.0	93.541	1180	9324	1707	9325	1613	38	1.99E-03	GST09 - 3A □□□ 080C22 MDSKA□□ 080-22 140
502	41	2.8	99.167	1251	9324	1810	9325	1596	36	2.03E-03	GST09 - 3A □□□ 080C22 MDSKA□□ 080-22 140
577	36	2.5	113.585	1433	9324	2073	9325	1613	32	1.99E-03	GST09 - 3A □□□ 080C22 MDSKA□□ 080-22 140
658	32	2.2	129.074	1628	9324	2356	9325	1612	28	1.98E-03	GST09 - 3A □□□ 080C22 MDSKA□□ 080-22 140
722	29	2.0	141.289	1782	9324	2420	9325	1613	25	1.97E-03	GST09 - 3A □□□ 080C22 MDSKA□□ 080-22 140
822	26	1.8	160.556	2025	9324	2435	9325	1623	22	1.97E-03	GST09 - 3A □□□ 080C22 MDSKA□□ 080-22 140
405	57	3.2	40.136	936	9324	1323	9325	1344	57	3.81E-03	GST09 - 3A □□□ 090C22 MDSKA□□ 090-22 80
438	53	2.9	43.267	1009	9324	1427	9325	1290	53	3.76E-03	GST09 - 3A □□□ 090C22 MDSKA□□ 090-22 80
497	47	2.9	49.167	1147	9324	1621	9325	1466	47	3.75E-03	GST09 - 3A □□□ 090C22 MDSKA□□ 090-22 80

Observe the notes for thermal dimensioning.

Selection tables - Helical gearboxes

Naturally ventilated asynchronous geared servo motors

M ₂ [Nm]	n ₂ trans [rpm]	c	i	M ₂ max short-time on geared motor at				M ₂ Gr gearbox c=1 n ₁ ≤ 1400 rpm [Nm]	n ₂ therm [rpm]	J _{GM} referred to motor shaft [kgm ²]	Servo helical- geared motor Dimensions on Page 3-99
				8 kHz		16 kHz					
				M ₂ max [Nm]	Type EVS	M ₂ max [Nm]	Type EVS				
539	43	2.5	53.044	1237	9324	1749	9325	1379	43	3.74E-03	GST09 - 3A □□□ 090C22 MDSKA□□ 090-22 80
612	38	2.5	60.278	1406	9324	1987	9325	1565	38	3.74E-03	GST09 - 3A □□□ 090C22 MDSKA□□ 090-22 80
734	32	2.0	71.867	1676	9324	2215	9325	1477	32	3.72E-03	GST09 - 3A □□□ 090C22 MDSKA□□ 090-22 80
835	28	1.9	81.667	1904	9324	2375	9325	1584	28	3.72E-03	GST09 - 3A □□□ 090C22 MDSKA□□ 090-22 80
1018	23	1.6	99.167	2312	9324	2394	9325	1596	23	3.71E-03	GST09 - 3A □□□ 090C22 MDSKA□□ 090-22 80
357	102	3.0	40.136	898	9325	1074	9326	1344	78	3.81E-03	GST09 - 3A □□□ 090C22 MDSKA□□ 090-22 140
385	95	3.0	43.267	968	9325	1158	9326	1290	72	3.76E-03	GST09 - 3A □□□ 090C22 MDSKA□□ 090-22 140
437	84	3.0	49.167	1100	9325	1316	9326	1466	63	3.75E-03	GST09 - 3A □□□ 090C22 MDSKA□□ 090-22 140
474	77	2.6	53.044	1186	9325	1419	9326	1379	59	3.74E-03	GST09 - 3A □□□ 090C22 MDSKA□□ 090-22 140
538	68	2.6	60.278	1348	9325	1613	9326	1565	52	3.74E-03	GST09 - 3A □□□ 090C22 MDSKA□□ 090-22 140
645	57	2.0	71.867	1607	9325	1923	9326	1477	43	3.72E-03	GST09 - 3A □□□ 090C22 MDSKA□□ 090-22 140
734	50	1.9	81.667	1826	9325	2185	9326	1584	38	3.72E-03	GST09 - 3A □□□ 090C22 MDSKA□□ 090-22 140
895	41	1.6	99.167	2218	9325	2394	9326	1596	31	3.71E-03	GST09 - 3A □□□ 090C22 MDSKA□□ 090-22 140
242	51	5.7	39.160	574	9323	806	9324	1452	51	2.44E-03	GST11 - 2A □□□ 080C22 MDSKA□□ 080-22 70
275	45	5.7	44.500	652	9323	915	9324	1650	45	2.43E-03	GST11 - 2A □□□ 080C22 MDSKA□□ 080-22 70
310	40	4.6	49.500	725	9323	1018	9324	1476	40	2.27E-03	GST11 - 2A □□□ 080C22 MDSKA□□ 080-22 70
352	36	4.6	56.250	824	9323	1157	9324	1677	36	2.26E-03	GST11 - 2A □□□ 080C22 MDSKA□□ 080-22 70
195	105	5.8	39.160	502	9324	726	9325	1452	92	2.44E-03	GST11 - 2A □□□ 080C22 MDSKA□□ 080-22 140
248	83	5.1	49.500	634	9324	917	9325	1476	73	2.27E-03	GST11 - 2A □□□ 080C22 MDSKA□□ 080-22 140
282	73	5.1	56.250	720	9324	1042	9325	1677	64	2.26E-03	GST11 - 2A □□□ 080C22 MDSKA□□ 080-22 140
325	71	4.9	32.267	764	9324	1080	9325	1674	71	4.30E-03	GST11 - 2A □□□ 090C22 MDSKA□□ 090-22 80
369	63	4.9	36.667	868	9324	1227	9325	1902	63	4.29E-03	GST11 - 2A □□□ 090C22 MDSKA□□ 090-22 80
397	59	4.1	39.160	927	9324	1311	9325	1701	59	4.12E-03	GST11 - 2A □□□ 090C22 MDSKA□□ 090-22 80
451	52	4.1	44.500	1054	9324	1490	9325	1933	52	4.11E-03	GST11 - 2A □□□ 090C22 MDSKA□□ 090-22 80
506	46	3.3	49.500	1172	9324	1657	9325	1728	46	3.95E-03	GST11 - 2A □□□ 090C22 MDSKA□□ 090-22 80
575	41	3.3	56.250	1332	9324	1883	9325	1964	41	3.94E-03	GST11 - 2A □□□ 090C22 MDSKA□□ 090-22 80
219	165	5.7	24.933	566	9325	677	9326	1616	125	4.66E-03	GST11 - 2A □□□ 090C22 MDSKA□□ 090-22 140
248	145	5.7	28.333	643	9325	770	9326	1836	110	4.64E-03	GST11 - 2A □□□ 090C22 MDSKA□□ 090-22 140
286	127	4.6	32.267	733	9325	877	9326	1674	96	4.30E-03	GST11 - 2A □□□ 090C22 MDSKA□□ 090-22 140
326	112	4.6	36.667	833	9325	996	9326	1902	85	4.29E-03	GST11 - 2A □□□ 090C22 MDSKA□□ 090-22 140
350	105	3.8	39.160	889	9325	1064	9326	1701	79	4.12E-03	GST11 - 2A □□□ 090C22 MDSKA□□ 090-22 140
396	92	4.2	44.500	1010	9325	1209	9326	1933	70	4.11E-03	GST11 - 2A □□□ 090C22 MDSKA□□ 090-22 140
445	83	3.4	49.500	1124	9325	1345	9326	1728	63	3.95E-03	GST11 - 2A □□□ 090C22 MDSKA□□ 090-22 140
506	73	3.4	56.250	1277	9325	1528	9326	1964	55	3.94E-03	GST11 - 2A □□□ 090C22 MDSKA□□ 090-22 140

Observe the notes for thermal dimensioning.

Selection tables - Helical gearboxes

Naturally ventilated asynchronous geared servo motors



M ₂ [Nm]	n _{2 trans} [rpm]	c	i	M _{2 max} short-time on geared motor at				M _{2 Gr} gearbox c=1 n ₁ ≤ 1400 rpm [Nm]	n _{2 therm} [rpm]	J _{GM} referred to motor shaft [kgm ²]	Servo helical- geared motor Dimensions on Page 3-99
				8 kHz		16 kHz					
				M _{2 max} [Nm]	Type EVS	M _{2 max} [Nm]	Type EVS				
487	73	5.4	32.267	1478	9325	1058	9325	2818	73	7.90E-03	GST11 - 2A □□□ 100C22 MDSKA□□ 100-22 80
556	64	5.0	36.667	1679	9325	1202	9325	2933	64	7.89E-03	GST11 - 2A □□□ 100C22 MDSKA□□ 100-22 80
597	60	4.5	39.160	1793	9325	1284	9325	2826	60	7.72E-03	GST11 - 2A □□□ 100C22 MDSKA□□ 100-22 80
681	53	4.2	44.500	2038	9325	1459	9325	2933	53	7.71E-03	GST11 - 2A □□□ 100C22 MDSKA□□ 100-22 80
407	113	5.6	36.667	1540	9326	918	9326	2933	67	7.89E-03	GST11 - 2A □□□ 100C22 MDSKA□□ 100-22 140
437	106	5.0	39.160	1645	9326	980	9326	2826	63	7.72E-03	GST11 - 2A □□□ 100C22 MDSKA□□ 100-22 140
496	93	5.1	44.500	1870	9326	1114	9326	2933	55	7.71E-03	GST11 - 2A □□□ 100C22 MDSKA□□ 100-22 140
462	123	5.5	20.289	1535	9326	1098	9326	2756	99	1.94E-02	GST11 - 2A □□□ 112C22 MDSKA□□ 112-22 85
527	108	5.1	23.056	1745	9326	1248	9326	2913	87	1.94E-02	GST11 - 2A □□□ 112C22 MDSKA□□ 112-22 85
574	100	4.5	24.933	1887	9326	1350	9326	2777	81	1.91E-02	GST11 - 2A □□□ 112C22 MDSKA□□ 112-22 85
654	88	4.2	28.333	2144	9326	1534	9326	2933	71	1.90E-02	GST11 - 2A □□□ 112C22 MDSKA□□ 112-22 85
392	167	5.5	24.933	1062	9326	907	9327	2777	81	1.91E-02	GST11 - 2A □□□ 112C22 MDSKA□□ 112-22 140
448	147	5.1	28.333	1207	9326	1031	9327	2933	71	1.90E-02	GST11 - 2A □□□ 112C22 MDSKA□□ 112-22 140
431	17	5.4	236.622	1006	9322	1199	9323	2695	17	3.22E-04	GST11 - 3A □□□ 056C22 MDSKA□□ 056-22 140
460	16	5.3	252.167	1072	9322	1277	9323	2810	16	3.03E-04	GST11 - 3A □□□ 056C22 MDSKA□□ 056-22 140
492	15	5.1	268.889	1144	9322	1362	9323	2848	15	3.22E-04	GST11 - 3A □□□ 056C22 MDSKA□□ 056-22 140
603	12	4.2	326.333	1388	9322	1653	9323	2848	12	2.99E-04	GST11 - 3A □□□ 056C22 MDSKA□□ 056-22 140
675	11	3.5	363.000	1544	9322	1839	9323	2695	11	3.16E-04	GST11 - 3A □□□ 056C22 MDSKA□□ 056-22 140
769	9.6	3.3	412.500	1754	9322	2089	9323	2848	9.6	2.95E-04	GST11 - 3A □□□ 056C22 MDSKA□□ 056-22 140
472	31	5.2	129.074	1554	9324	1135	9324	2810	31	1.02E-03	GST11 - 3A □□□ 071C22 MDSKA□□ 071-22 140
542	28	4.3	146.993	1770	9324	1292	9324	2695	28	1.01E-03	GST11 - 3A □□□ 071C22 MDSKA□□ 071-22 140
584	26	4.2	158.194	1905	9324	1391	9324	2810	26	9.70E-04	GST11 - 3A □□□ 071C22 MDSKA□□ 071-22 140
670	22	3.5	180.156	2169	9324	1584	9324	2695	22	9.59E-04	GST11 - 3A □□□ 071C22 MDSKA□□ 071-22 140
776	19	3.2	207.778	2502	9324	1827	9324	2810	19	9.18E-04	GST11 - 3A □□□ 071C22 MDSKA□□ 071-22 140
888	17	2.7	236.622	2849	9324	2080	9324	2695	17	9.12E-04	GST11 - 3A □□□ 071C22 MDSKA□□ 071-22 140
947	16	2.6	252.167	3037	9324	2217	9324	2810	16	8.93E-04	GST11 - 3A □□□ 071C22 MDSKA□□ 071-22 140
1012	15	2.5	268.889	3238	9324	2364	9324	2848	15	9.12E-04	GST11 - 3A □□□ 071C22 MDSKA□□ 071-22 140
1234	12	2.1	326.333	3930	9324	2869	9324	2848	12	8.89E-04	GST11 - 3A □□□ 071C22 MDSKA□□ 071-22 140
1377	11	1.8	363.000	4043	9324	3192	9324	2695	11	9.06E-04	GST11 - 3A □□□ 071C22 MDSKA□□ 071-22 140
1566	9.8	1.6	412.500	4272	9324	3627	9324	2848	9.8	8.85E-04	GST11 - 3A □□□ 071C22 MDSKA□□ 071-22 140
432	28	5.8	71.011	1025	9323	1439	9324	2637	28	2.27E-03	GST11 - 3A □□□ 080C22 MDSKA□□ 080-22 70
493	25	5.4	80.694	1165	9323	1635	9324	2787	25	2.27E-03	GST11 - 3A □□□ 080C22 MDSKA□□ 080-22 70
537	23	4.8	87.267	1259	9323	1768	9324	2657	23	2.24E-03	GST11 - 3A □□□ 080C22 MDSKA□□ 080-22 70
612	20	4.4	99.167	1431	9323	2009	9324	2810	20	2.24E-03	GST11 - 3A □□□ 080C22 MDSKA□□ 080-22 70

Observe the notes for thermal dimensioning.

Selection tables - Helical gearboxes

Naturally ventilated asynchronous geared servo motors

M ₂ [Nm]	n _{2 trans} [rpm]	c	i	M _{2 max} short-time on geared motor at				M _{2 Gr} gearbox c=1 n ₁ ≤1400 rpm [Nm]	n _{2 therm} [rpm]	J _{GM} referred to motor shaft [kgm ²]	Servo helical- geared motor Dimensions on Page 3-99
				8 kHz		16 kHz					
				M _{2 max} [Nm]	Type EVS	M _{2 max} [Nm]	Type EVS				
702	18	3.7	112.933	1630	9323	2288	9324	2695	18	2.21E-03	GST11 - 3A □□□ 080C22 MDSKA□□ 080-22 70
806	15	3.4	129.074	1863	9323	2615	9324	2810	15	2.11E-03	GST11 - 3A □□□ 080C22 MDSKA□□ 080-22 70
923	14	2.9	146.993	2121	9323	2978	9324	2695	14	2.10E-03	GST11 - 3A □□□ 080C22 MDSKA□□ 080-22 70
994	13	2.8	158.194	2283	9323	3205	9324	2810	13	2.06E-03	GST11 - 3A □□□ 080C22 MDSKA□□ 080-22 70
1137	11	2.3	180.156	2600	9323	3650	9324	2695	11	2.05E-03	GST11 - 3A □□□ 080C22 MDSKA□□ 080-22 70
1315	9.6	2.1	207.778	2998	9323	4210	9324	2810	9.6	2.01E-03	GST11 - 3A □□□ 080C22 MDSKA□□ 080-22 70
1503	8.5	1.8	236.622	3415	9323	4043	9324	2695	8.5	2.00E-03	GST11 - 3A □□□ 080C22 MDSKA□□ 080-22 70
1602	7.9	1.7	252.167	3639	9323	4215	9324	2810	7.9	1.98E-03	GST11 - 3A □□□ 080C22 MDSKA□□ 080-22 70
1710	7.4	1.7	268.889	3880	9323	4272	9324	2848	7.4	2.00E-03	GST11 - 3A □□□ 080C22 MDSKA□□ 080-22 70
2082	6.1	1.4	326.333	4272	9323	4272	9324	2848	6.1	1.98E-03	GST11 - 3A □□□ 080C22 MDSKA□□ 080-22 70
430	47	5.3	87.267	1101	9324	1593	9325	2657	41	2.24E-03	GST11 - 3A □□□ 080C22 MDSKA□□ 080-22 140
491	41	4.9	99.167	1251	9324	1810	9325	2810	36	2.24E-03	GST11 - 3A □□□ 080C22 MDSKA□□ 080-22 140
563	36	4.2	112.933	1425	9324	2061	9325	2695	32	2.21E-03	GST11 - 3A □□□ 080C22 MDSKA□□ 080-22 140
647	32	3.8	129.074	1628	9324	2356	9325	2810	28	2.11E-03	GST11 - 3A □□□ 080C22 MDSKA□□ 080-22 140
741	28	3.2	146.993	1854	9324	2683	9325	2695	24	2.10E-03	GST11 - 3A □□□ 080C22 MDSKA□□ 080-22 140
798	26	3.1	158.194	1996	9324	2888	9325	2810	23	2.06E-03	GST11 - 3A □□□ 080C22 MDSKA□□ 080-22 140
914	23	2.6	180.156	2273	9324	3288	9325	2695	20	2.05E-03	GST11 - 3A □□□ 080C22 MDSKA□□ 080-22 140
1057	20	2.4	207.778	2621	9324	3793	9325	2810	17	2.01E-03	GST11 - 3A □□□ 080C22 MDSKA□□ 080-22 140
1208	17	2.0	236.622	2985	9324	4043	9325	2695	15	2.00E-03	GST11 - 3A □□□ 080C22 MDSKA□□ 080-22 140
1288	16	1.9	252.167	3181	9324	4215	9325	2810	14	1.98E-03	GST11 - 3A □□□ 080C22 MDSKA□□ 080-22 140
1375	15	1.9	268.889	3392	9324	4272	9325	2848	13	2.00E-03	GST11 - 3A □□□ 080C22 MDSKA□□ 080-22 140
1675	13	1.5	326.333	4117	9324	4272	9325	2848	11	1.98E-03	GST11 - 3A □□□ 080C22 MDSKA□□ 080-22 140
399	56	6.0	40.816	952	9324	1346	9325	2550	56	4.24E-03	GST11 - 3A □□□ 090C22 MDSKA□□ 090-22 80
434	52	5.3	44.000	1026	9324	1451	9325	2410	52	4.17E-03	GST11 - 3A □□□ 090C22 MDSKA□□ 090-22 80
493	46	5.3	50.000	1166	9324	1649	9325	2725	46	4.16E-03	GST11 - 3A □□□ 090C22 MDSKA□□ 090-22 80
578	40	4.3	57.968	1352	9324	1911	9325	2577	40	4.08E-03	GST11 - 3A □□□ 090C22 MDSKA□□ 090-22 80
610	38	4.3	61.250	1428	9324	2020	9325	2725	38	4.01E-03	GST11 - 3A □□□ 090C22 MDSKA□□ 090-22 80
713	32	3.6	71.011	1656	9324	2341	9325	2637	32	3.95E-03	GST11 - 3A □□□ 090C22 MDSKA□□ 090-22 80
812	29	3.3	80.694	1882	9324	2661	9325	2787	29	3.95E-03	GST11 - 3A □□□ 090C22 MDSKA□□ 090-22 80
882	26	2.9	87.267	2035	9324	2877	9325	2657	26	3.92E-03	GST11 - 3A □□□ 090C22 MDSKA□□ 090-22 80
1005	23	2.7	99.167	2312	9324	3270	9325	2810	23	3.92E-03	GST11 - 3A □□□ 090C22 MDSKA□□ 090-22 80
1150	20	2.3	112.933	2633	9324	3724	9325	2695	20	3.89E-03	GST11 - 3A □□□ 090C22 MDSKA□□ 090-22 80
1317	18	2.1	129.074	3010	9324	4215	9325	2810	18	3.79E-03	GST11 - 3A □□□ 090C22 MDSKA□□ 090-22 80
1505	16	1.8	146.993	3428	9324	4043	9325	2695	16	3.78E-03	GST11 - 3A □□□ 090C22 MDSKA□□ 090-22 80

Observe the notes for thermal dimensioning.

Selection tables - Helical gearboxes

Naturally ventilated asynchronous geared servo motors



M ₂ [Nm]	n _{2 trans} [rpm]	c	i	M _{2 max} short-time on geared motor at				M _{2 Gr} gearbox c=1 n ₁ ≤ 1400 rpm [Nm]	n _{2 therm} [rpm]	J _{GM} referred to motor shaft [kgm ²]	Servo helical-geared motor Dimensions on Page 3-99
				8 kHz		16 kHz					
				M _{2 max} [Nm]	Type EVS	M _{2 max} [Nm]	Type EVS				
1620	15	1.7	158.194	3689	9324	4215	9325	2810	15	3.74E-03	GST11 - 3A □□□ 090C22 MDSKA□□ 090-22 80
1851	13	1.4	180.156	4043	9324	4043	9325	2695	13	3.73E-03	GST11 - 3A □□□ 090C22 MDSKA□□ 090-22 80
353	101	5.6	40.816	913	9325	1092	9326	2550	76	4.24E-03	GST11 - 3A □□□ 090C22 MDSKA□□ 090-22 140
381	93	5.4	44.000	984	9325	1177	9326	2410	71	4.17E-03	GST11 - 3A □□□ 090C22 MDSKA□□ 090-22 140
433	82	5.4	50.000	1118	9325	1338	9326	2725	62	4.16E-03	GST11 - 3A □□□ 090C22 MDSKA□□ 090-22 140
508	71	4.4	57.968	1296	9325	1551	9326	2577	54	4.08E-03	GST11 - 3A □□□ 090C22 MDSKA□□ 090-22 140
536	67	4.4	61.250	1370	9325	1639	9326	2725	51	4.01E-03	GST11 - 3A □□□ 090C22 MDSKA□□ 090-22 140
627	58	3.7	71.011	1588	9325	1900	9326	2637	44	3.95E-03	GST11 - 3A □□□ 090C22 MDSKA□□ 090-22 140
714	51	3.4	80.694	1805	9325	2159	9326	2787	39	3.95E-03	GST11 - 3A □□□ 090C22 MDSKA□□ 090-22 140
776	47	3.0	87.267	1952	9325	2335	9326	2657	36	3.92E-03	GST11 - 3A □□□ 090C22 MDSKA□□ 090-22 140
883	41	2.8	99.167	2218	9325	2654	9326	2810	31	3.92E-03	GST11 - 3A □□□ 090C22 MDSKA□□ 090-22 140
1011	36	2.4	112.933	2526	9325	3022	9326	2695	28	3.89E-03	GST11 - 3A □□□ 090C22 MDSKA□□ 090-22 140
1158	32	2.2	129.074	2886	9325	3454	9326	2810	24	3.79E-03	GST11 - 3A □□□ 090C22 MDSKA□□ 090-22 140
1323	28	1.8	146.993	3287	9325	3933	9326	2695	21	3.78E-03	GST11 - 3A □□□ 090C22 MDSKA□□ 090-22 140
1425	26	1.8	158.194	3538	9325	4215	9326	2810	20	3.74E-03	GST11 - 3A □□□ 090C22 MDSKA□□ 090-22 140
1627	23	1.5	180.156	4029	9325	4043	9326	2695	17	3.73E-03	GST11 - 3A □□□ 090C22 MDSKA□□ 090-22 140
616	57	3.9	40.816	1841	9325	1318	9325	2550	57	7.84E-03	GST11 - 3A □□□ 100C22 MDSKA□□ 100-22 80
667	53	3.5	44.000	1985	9325	1421	9325	2410	53	7.77E-03	GST11 - 3A □□□ 100C22 MDSKA□□ 100-22 80
759	47	3.5	50.000	2255	9325	1615	9325	2725	47	7.76E-03	GST11 - 3A □□□ 100C22 MDSKA□□ 100-22 80
885	40	2.9	57.968	2615	9325	1873	9325	2577	40	7.68E-03	GST11 - 3A □□□ 100C22 MDSKA□□ 100-22 80
936	38	2.9	61.250	2763	9325	1979	9325	2725	38	7.61E-03	GST11 - 3A □□□ 100C22 MDSKA□□ 100-22 80
1090	33	2.4	71.011	3203	9325	2294	9325	2637	33	7.55E-03	GST11 - 3A □□□ 100C22 MDSKA□□ 100-22 80
1241	29	2.2	80.694	3640	9325	2607	9325	2787	29	7.55E-03	GST11 - 3A □□□ 100C22 MDSKA□□ 100-22 80
1346	27	2.0	87.267	3936	9325	2819	9325	2657	27	7.52E-03	GST11 - 3A □□□ 100C22 MDSKA□□ 100-22 80
1532	24	1.8	99.167	4215	9325	3203	9325	2810	24	7.52E-03	GST11 - 3A □□□ 100C22 MDSKA□□ 100-22 80
1749	21	1.5	112.933	4043	9325	3648	9325	2695	21	7.49E-03	GST11 - 3A □□□ 100C22 MDSKA□□ 100-22 80
451	102	4.4	40.816	1689	9326	1006	9326	2550	60	7.84E-03	GST11 - 3A □□□ 100C22 MDSKA□□ 100-22 140
487	94	4.3	44.000	1821	9326	1085	9326	2410	56	7.77E-03	GST11 - 3A □□□ 100C22 MDSKA□□ 100-22 140
554	83	4.3	50.000	2069	9326	1233	9326	2725	49	7.76E-03	GST11 - 3A □□□ 100C22 MDSKA□□ 100-22 140
648	72	3.5	57.968	2399	9326	1429	9326	2577	42	7.68E-03	GST11 - 3A □□□ 100C22 MDSKA□□ 100-22 140
684	68	3.5	61.250	2535	9326	1510	9326	2725	40	7.61E-03	GST11 - 3A □□□ 100C22 MDSKA□□ 100-22 140
798	58	2.9	71.011	2939	9326	1751	9326	2637	34	7.55E-03	GST11 - 3A □□□ 100C22 MDSKA□□ 100-22 140
909	51	2.7	80.694	3339	9326	1990	9326	2787	30	7.55E-03	GST11 - 3A □□□ 100C22 MDSKA□□ 100-22 140
986	48	2.4	87.267	3611	9326	2152	9326	2657	28	7.52E-03	GST11 - 3A □□□ 100C22 MDSKA□□ 100-22 140

Observe the notes for thermal dimensioning.

Selection tables - Helical gearboxes

Naturally ventilated asynchronous geared servo motors

M ₂ [Nm]	n ₂ trans [rpm]	c	i	M ₂ max short-time on geared motor at				M ₂ Gr gearbox c=1 n ₁ ≤ 1400 rpm [Nm]	n ₂ therm [rpm]	J _{GM} referred to motor shaft [kgm ²]	Servo helical- geared motor Dimensions on Page 3-99
				8 kHz		16 kHz					
				M ₂ max [Nm]	Type EVS	M ₂ max [Nm]	Type EVS				
1123	42	2.2	99.167	4104	9326	2445	9326	2810	25	7.52E-03	GST11 - 3A □□□ 100C22 MDSKA□□ 100-22 140
1283	37	1.9	112.933	4043	9326	2785	9326	2695	22	7.49E-03	GST11 - 3A □□□ 100C22 MDSKA□□ 100-22 140
746	47	5.6	49.500	2267	9325	1623	9325	4348	47	8.26E-03	GST14 - 2A □□□ 100C22 MDSKA□□ 100-22 80
848	42	5.6	56.250	2576	9325	1845	9325	4940	42	8.25E-03	GST14 - 2A □□□ 100C22 MDSKA□□ 100-22 80
890	64	5.6	39.160	2964	9326	2120	9326	5452	51	1.96E-02	GST14 - 2A □□□ 112C22 MDSKA□□ 112-22 85
1013	56	5.4	44.500	3368	9326	2409	9326	5786	45	1.96E-02	GST14 - 2A □□□ 112C22 MDSKA□□ 112-22 85
962	13	5.8	158.194	2283	9323	3205	9324	5920	13	2.36E-03	GST14 - 3A □□□ 080C22 MDSKA□□ 080-22 70
1045	12	5.4	171.111	2469	9323	3467	9324	5920	12	2.47E-03	GST14 - 3A □□□ 080C22 MDSKA□□ 080-22 70
1263	9.8	4.5	204.722	2954	9323	4148	9324	5920	9.8	2.21E-03	GST14 - 3A □□□ 080C22 MDSKA□□ 080-22 70
1470	8.5	3.8	236.622	3415	9323	4794	9324	5779	8.5	2.19E-03	GST14 - 3A □□□ 080C22 MDSKA□□ 080-22 70
1546	8.1	3.7	248.458	3585	9323	5034	9324	5920	8.1	2.13E-03	GST14 - 3A □□□ 080C22 MDSKA□□ 080-22 70
1678	7.4	3.4	268.889	3880	9323	5448	9324	5920	7.4	2.19E-03	GST14 - 3A □□□ 080C22 MDSKA□□ 080-22 70
2049	6.1	2.8	326.333	4709	9323	6612	9324	5920	6.1	2.11E-03	GST14 - 3A □□□ 080C22 MDSKA□□ 080-22 70
2288	5.5	2.5	363.000	5238	9323	7355	9324	5779	5.5	2.17E-03	GST14 - 3A □□□ 080C22 MDSKA□□ 080-22 70
2607	4.9	2.2	412.500	5953	9323	8357	9324	5920	4.9	2.10E-03	GST14 - 3A □□□ 080C22 MDSKA□□ 080-22 70
1012	20	5.0	204.722	2583	9324	3737	9325	5920	18	2.21E-03	GST14 - 3A □□□ 080C22 MDSKA□□ 080-22 140
1179	17	4.3	236.622	2985	9324	4319	9325	5779	15	2.19E-03	GST14 - 3A □□□ 080C22 MDSKA□□ 080-22 140
1240	17	4.2	248.458	3134	9324	4535	9325	5920	14	2.13E-03	GST14 - 3A □□□ 080C22 MDSKA□□ 080-22 140
1346	15	3.8	268.889	3392	9324	4908	9325	5920	13	2.19E-03	GST14 - 3A □□□ 080C22 MDSKA□□ 080-22 140
1646	13	3.2	326.333	4117	9324	5957	9325	5920	11	2.11E-03	GST14 - 3A □□□ 080C22 MDSKA□□ 080-22 140
1838	11	2.8	363.000	4579	9324	6626	9325	5779	9.9	2.17E-03	GST14 - 3A □□□ 080C22 MDSKA□□ 080-22 140
2095	9.9	2.5	412.500	5204	9324	7530	9325	5920	8.7	2.10E-03	GST14 - 3A □□□ 080C22 MDSKA□□ 080-22 140
918	25	5.7	93.541	2181	9324	3084	9325	5524	25	4.26E-03	GST14 - 3A □□□ 090C22 MDSKA□□ 090-22 80
941	24	5.9	96.157	2242	9324	3170	9325	5882	24	4.64E-03	GST14 - 3A □□□ 090C22 MDSKA□□ 090-22 80
1047	22	5.4	106.296	2479	9324	3505	9325	5920	22	4.25E-03	GST14 - 3A □□□ 090C22 MDSKA□□ 090-22 80
1297	18	4.4	130.278	3038	9324	4295	9325	5920	18	4.20E-03	GST14 - 3A □□□ 090C22 MDSKA□□ 090-22 80
1392	17	4.0	139.211	3246	9324	4590	9325	5736	17	4.04E-03	GST14 - 3A □□□ 090C22 MDSKA□□ 090-22 80
1588	15	3.6	158.194	3689	9324	5216	9325	5920	15	4.04E-03	GST14 - 3A □□□ 090C22 MDSKA□□ 090-22 80
1723	13	3.4	171.111	3990	9324	5642	9325	5920	13	4.15E-03	GST14 - 3A □□□ 090C22 MDSKA□□ 090-22 80
2073	11	2.8	204.722	4774	9324	6750	9325	5920	11	3.89E-03	GST14 - 3A □□□ 090C22 MDSKA□□ 090-22 80
2407	9.7	2.4	236.622	5518	9324	7802	9325	5779	9.7	3.87E-03	GST14 - 3A □□□ 090C22 MDSKA□□ 090-22 80
2529	9.3	2.3	248.458	5794	9324	8192	9325	5920	9.3	3.81E-03	GST14 - 3A □□□ 090C22 MDSKA□□ 090-22 80
2742	8.6	2.1	268.889	6270	9324	8865	9325	5920	8.6	3.87E-03	GST14 - 3A □□□ 090C22 MDSKA□□ 090-22 80
3341	7.1	1.8	326.333	7610	9324	8880	9325	5920	7.1	3.79E-03	GST14 - 3A □□□ 090C22 MDSKA□□ 090-22 80

Observe the notes for thermal dimensioning.

Selection tables - Helical gearboxes

Naturally ventilated asynchronous geared servo motors



M ₂ [Nm]	n ₂ trans [rpm]	c	i	M ₂ max short-time on geared motor at				M ₂ Gr gearbox c=1 n ₁ ≤ 1400 rpm [Nm]	n ₂ therm [rpm]	J _{GM} referred to motor shaft [kgm ²]	Servo helical- geared motor Dimensions on Page 3-99
				8 kHz		16 kHz					
				M ₂ max [Nm]	Type EVS	M ₂ max [Nm]	Type EVS				
806	44	5.9	93.541	2092	9325	2503	9326	5524	33	4.26E-03	GST14 - 3A □□□ 090C22 MDSKA□□ 090-22 140
919	39	5.5	106.296	2377	9325	2844	9326	5920	29	4.25E-03	GST14 - 3A □□□ 090C22 MDSKA□□ 090-22 140
1139	32	4.5	130.278	2913	9325	3486	9326	5920	24	4.20E-03	GST14 - 3A □□□ 090C22 MDSKA□□ 090-22 140
1223	30	4.1	139.211	3113	9325	3725	9326	5736	22	4.04E-03	GST14 - 3A □□□ 090C22 MDSKA□□ 090-22 140
1395	26	3.7	158.194	3538	9325	4233	9326	5920	20	4.04E-03	GST14 - 3A □□□ 090C22 MDSKA□□ 090-22 140
1514	24	3.4	171.111	3827	9325	4579	9326	5920	18	4.15E-03	GST14 - 3A □□□ 090C22 MDSKA□□ 090-22 140
1822	20	2.9	204.722	4578	9325	5478	9326	5920	15	3.89E-03	GST14 - 3A □□□ 090C22 MDSKA□□ 090-22 140
2116	17	2.4	236.622	5292	9325	6332	9326	5779	13	3.87E-03	GST14 - 3A □□□ 090C22 MDSKA□□ 090-22 140
2224	17	2.4	248.458	5556	9325	6648	9326	5920	13	3.81E-03	GST14 - 3A □□□ 090C22 MDSKA□□ 090-22 140
2411	15	2.2	268.889	6013	9325	7195	9326	5920	12	3.87E-03	GST14 - 3A □□□ 090C22 MDSKA□□ 090-22 140
2938	13	1.8	326.333	7298	9325	8732	9326	5920	9.5	3.79E-03	GST14 - 3A □□□ 090C22 MDSKA□□ 090-22 140
787	44	5.8	53.148	2397	9325	1717	9325	4779	44	9.25E-03	GST14 - 3A □□□ 100C22 MDSKA□□ 100-22 80
879	39	5.7	59.321	2676	9325	1916	9325	5267	39	8.52E-03	GST14 - 3A □□□ 100C22 MDSKA□□ 100-22 80
1035	34	4.6	69.042	3114	9325	2230	9325	4917	34	8.35E-03	GST14 - 3A □□□ 100C22 MDSKA□□ 100-22 80
1176	30	4.6	78.457	3539	9325	2534	9325	5587	30	8.34E-03	GST14 - 3A □□□ 100C22 MDSKA□□ 100-22 80
1415	25	3.8	93.541	4219	9325	3022	9325	5524	25	7.86E-03	GST14 - 3A □□□ 100C22 MDSKA□□ 100-22 80
1452	24	3.9	96.157	4337	9325	3106	9325	5882	24	8.24E-03	GST14 - 3A □□□ 100C22 MDSKA□□ 100-22 80
1611	22	3.6	106.296	4795	9325	3434	9325	5920	22	7.85E-03	GST14 - 3A □□□ 100C22 MDSKA□□ 100-22 80
1989	18	2.9	130.278	5877	9325	4208	9325	5920	18	7.80E-03	GST14 - 3A □□□ 100C22 MDSKA□□ 100-22 80
2131	17	2.6	139.211	6280	9325	4497	9325	5736	17	7.64E-03	GST14 - 3A □□□ 100C22 MDSKA□□ 100-22 80
2428	15	2.4	158.194	7136	9325	5110	9325	5920	15	7.64E-03	GST14 - 3A □□□ 100C22 MDSKA□□ 100-22 80
2631	14	2.2	171.111	7718	9325	5527	9325	5920	14	7.75E-03	GST14 - 3A □□□ 100C22 MDSKA□□ 100-22 80
754	60	5.6	69.042	2857	9326	1702	9326	4917	35	8.35E-03	GST14 - 3A □□□ 100C22 MDSKA□□ 100-22 140
857	53	5.6	78.457	3247	9326	1935	9326	5587	31	8.34E-03	GST14 - 3A □□□ 100C22 MDSKA□□ 100-22 140
1032	44	4.6	93.541	3871	9326	2306	9326	5524	26	7.86E-03	GST14 - 3A □□□ 100C22 MDSKA□□ 100-22 140
1059	43	4.8	96.157	3979	9326	2371	9326	5882	25	8.24E-03	GST14 - 3A □□□ 100C22 MDSKA□□ 100-22 140
1176	39	4.4	106.296	4399	9326	2621	9326	5920	23	7.85E-03	GST14 - 3A □□□ 100C22 MDSKA□□ 100-22 140
1454	32	3.6	130.278	5391	9326	3212	9326	5920	19	7.80E-03	GST14 - 3A □□□ 100C22 MDSKA□□ 100-22 140
1559	30	3.2	139.211	5761	9326	3432	9326	5736	18	7.64E-03	GST14 - 3A □□□ 100C22 MDSKA□□ 100-22 140
1778	26	2.9	158.194	6546	9326	3901	9326	5920	15	7.64E-03	GST14 - 3A □□□ 100C22 MDSKA□□ 100-22 140
1927	24	2.7	171.111	7081	9326	4219	9326	5920	14	7.75E-03	GST14 - 3A □□□ 100C22 MDSKA□□ 100-22 140
910	62	4.5	40.185	2996	9326	2143	9326	4476	50	2.04E-02	GST14 - 3A □□□ 112C22 MDSKA□□ 112-22 85
967	58	4.3	42.580	3174	9326	2271	9326	4262	47	1.98E-02	GST14 - 3A □□□ 112C22 MDSKA□□ 112-22 85
1099	51	4.3	48.386	3607	9326	2580	9326	4843	42	1.98E-02	GST14 - 3A □□□ 112C22 MDSKA□□ 112-22 85

Observe the notes for thermal dimensioning.



Selection tables - Helical gearboxes

Naturally ventilated asynchronous geared servo motors

M ₂ [Nm]	n ₂ trans [rpm]	c	i	M ₂ max short-time on geared motor at				M ₂ Gr gearbox c=1 n ₁ ≤ 1400 rpm [Nm]	n ₂ therm [rpm]	J _{GM} referred to motor shaft [kgm ²]	Servo helical- geared motor Dimensions on Page 3-99
				8 kHz		16 kHz					
				M ₂ max [Nm]	Type EVS	M ₂ max [Nm]	Type EVS				
1213	47	3.8	53.148	3962	9326	2834	9326	4779	38	2.01E-02	GST14 - 3A □□□ 112C22 MDSKA□□ 112-22 85
1354	42	3.8	59.321	4422	9326	3163	9326	5267	34	1.93E-02	GST14 - 3A □□□ 112C22 MDSKA□□ 112-22 85
1589	36	3.0	69.042	5147	9326	3682	9326	4917	29	1.92E-02	GST14 - 3A □□□ 112C22 MDSKA□□ 112-22 85
1805	32	3.0	78.457	5848	9326	4184	9326	5587	26	1.91E-02	GST14 - 3A □□□ 112C22 MDSKA□□ 112-22 85
2223	26	2.6	96.157	7168	9326	5128	9326	5882	21	1.90E-02	GST14 - 3A □□□ 112C22 MDSKA□□ 112-22 85
622	104	5.5	40.185	1686	9326	1440	9327	4476	50	2.04E-02	GST14 - 3A □□□ 112C22 MDSKA□□ 112-22 140
659	98	5.5	42.580	1786	9326	1526	9327	4262	47	1.98E-02	GST14 - 3A □□□ 112C22 MDSKA□□ 112-22 140
749	86	5.5	48.386	2030	9326	1734	9327	4843	42	1.98E-02	GST14 - 3A □□□ 112C22 MDSKA□□ 112-22 140
828	78	5.0	53.148	2230	9326	1905	9327	4779	38	2.01E-02	GST14 - 3A □□□ 112C22 MDSKA□□ 112-22 140
924	70	4.9	59.321	2489	9326	2126	9327	5267	34	1.93E-02	GST14 - 3A □□□ 112C22 MDSKA□□ 112-22 140
1087	60	3.9	69.042	2897	9326	2474	9327	4917	29	1.92E-02	GST14 - 3A □□□ 112C22 MDSKA□□ 112-22 140
1236	53	3.9	78.457	3292	9326	2812	9327	5587	26	1.91E-02	GST14 - 3A □□□ 112C22 MDSKA□□ 112-22 140
1523	43	3.4	96.157	4034	9326	3446	9327	5882	21	1.90E-02	GST14 - 3A □□□ 112C22 MDSKA□□ 112-22 140

Observe the notes for thermal dimensioning.

Selection tables - Helical gearboxes

Forced ventilated asynchronous geared servo motors



M ₂ [Nm]	n _{2 trans} [rpm]	c	i	M _{2 max} short-time on geared motor at				M _{2 Gr} gearbox c=1 n ₁ ≤ 1400 rpm [Nm]	n _{2 therm} [rpm]	J _{GM} referred to motor shaft [kgm ²]	Servo helical-geared motor Dimensions on Page 3-99
				8 kHz		16 kHz					
				M _{2 max} [Nm]	Type EVS	M _{2 max} [Nm]	Type EVS				
10	2131	1.5	1.600	21	9324	29	9325	19	1841	8.57E-04	GST04 - 1A □□□ 071C22 MDFKA□□ 071-22 120
13	1665	1.4	2.048	26	9324	34	9325	23	1623	8.49E-04	GST04 - 1A □□□ 071C22 MDFKA□□ 071-22 120
14	1522	1.4	2.240	29	9324	37	9325	25	1522	8.47E-04	GST04 - 1A □□□ 071C22 MDFKA□□ 071-22 120
18	1194	1.1	2.857	37	9324	38	9325	25	1194	8.43E-04	GST04 - 1A □□□ 071C22 MDFKA□□ 071-22 120
18	1154	1.6	2.956	37	9324	55	9325	39	923	8.64E-04	GST04 - 2A □□□ 071C22 MDFKA□□ 071-22 120
20	1023	1.6	3.333	42	9324	61	9325	42	795	8.62E-04	GST04 - 2A □□□ 071C22 MDFKA□□ 071-22 120
25	841	1.4	4.053	51	9324	68	9325	45	707	8.61E-04	GST04 - 2A □□□ 071C22 MDFKA□□ 071-22 120
28	746	1.3	4.571	58	9324	72	9325	48	612	8.60E-04	GST04 - 2A □□□ 071C22 MDFKA□□ 071-22 120
32	657	1.2	5.187	65	9324	75	9325	50	604	8.52E-04	GST04 - 2A □□□ 071C22 MDFKA□□ 071-22 120
36	583	1.1	5.850	74	9324	80	9325	53	523	8.52E-04	GST04 - 2A □□□ 071C22 MDFKA□□ 071-22 120
39	533	1.1	6.400	81	9324	83	9325	55	492	8.49E-04	GST04 - 2A □□□ 071C22 MDFKA□□ 071-22 120
43	484	1.0	7.040	85	9324	85	9325	57	359	8.56E-04	GST04 - 2A □□□ 071C22 MDFKA□□ 071-22 120
10	2131	3.4	1.600	21	9324	30	9325	45	2056	9.06E-04	GST05 - 1A □□□ 071C22 MDFKA□□ 071-22 120
12	1665	3.1	2.048	26	9324	38	9325	53	1665	8.85E-04	GST05 - 1A □□□ 071C22 MDFKA□□ 071-22 120
14	1522	2.9	2.240	29	9324	42	9325	53	1522	8.78E-04	GST05 - 1A □□□ 071C22 MDFKA□□ 071-22 120
18	1194	2.3	2.857	37	9324	54	9325	53	1194	8.65E-04	GST05 - 1A □□□ 071C22 MDFKA□□ 071-22 120
22	974	1.9	3.500	45	9324	66	9325	54	974	8.57E-04	GST05 - 1A □□□ 071C22 MDFKA□□ 071-22 120
28	749	1.5	4.556	58	9324	81	9325	54	749	8.48E-04	GST05 - 1A □□□ 071C22 MDFKA□□ 071-22 120
35	602	1.2	5.667	73	9324	81	9325	54	602	8.43E-04	GST05 - 1A □□□ 071C22 MDFKA□□ 071-22 120
19	1022	2.3	1.600	47	9324	34	9324	45	1022	2.00E-03	GST05 - 1A □□□ 080C22 MDFKA□□ 080-22 60
24	798	2.1	2.048	60	9324	43	9324	53	798	1.97E-03	GST05 - 1A □□□ 080C22 MDFKA□□ 080-22 60
26	730	1.9	2.240	65	9324	47	9324	53	730	1.97E-03	GST05 - 1A □□□ 080C22 MDFKA□□ 080-22 60
34	572	1.5	2.857	80	9324	61	9324	53	572	1.96E-03	GST05 - 1A □□□ 080C22 MDFKA□□ 080-22 60
41	467	1.3	3.500	81	9324	74	9324	54	467	1.95E-03	GST05 - 1A □□□ 080C22 MDFKA□□ 080-22 60
17	2159	2.0	1.600	46	9325	33	9325	45	1847	2.00E-03	GST05 - 1A □□□ 080C22 MDFKA□□ 080-22 120
22	1687	1.8	2.048	59	9325	43	9325	53	1525	1.97E-03	GST05 - 1A □□□ 080C22 MDFKA□□ 080-22 120
24	1542	1.7	2.240	65	9325	47	9325	53	1397	1.97E-03	GST05 - 1A □□□ 080C22 MDFKA□□ 080-22 120
30	1209	1.3	2.857	80	9325	60	9325	53	1157	1.96E-03	GST05 - 1A □□□ 080C22 MDFKA□□ 080-22 120
37	987	1.1	3.500	81	9325	73	9325	54	987	1.95E-03	GST05 - 1A □□□ 080C22 MDFKA□□ 080-22 120
18	1154	2.7	2.956	37	9324	55	9325	63	899	9.29E-04	GST05 - 2A □□□ 071C22 MDFKA□□ 071-22 120
20	1023	2.9	3.333	42	9324	61	9325	78	813	9.24E-04	GST05 - 2A □□□ 071C22 MDFKA□□ 071-22 120
24	841	2.5	4.053	51	9324	75	9325	81	762	9.20E-04	GST05 - 2A □□□ 071C22 MDFKA□□ 071-22 120
28	746	2.5	4.571	58	9324	84	9325	91	675	9.16E-04	GST05 - 2A □□□ 071C22 MDFKA□□ 071-22 120
31	657	2.2	5.187	65	9324	96	9325	90	637	8.94E-04	GST05 - 2A □□□ 071C22 MDFKA□□ 071-22 120

Observe the notes for thermal dimensioning.

Selection tables - Helical gearboxes

Forced ventilated asynchronous geared servo motors

M ₂ [Nm]	n ₂ trans [rpm]	c	i	M ₂ max short-time on geared motor at				M ₂ Gr gearbox c=1 n ₁ ≤ 1400 rpm [Nm]	n ₂ therm [rpm]	J _{GM} referred to motor shaft [kgm ²]	Servo helical- geared motor Dimensions on Page 3-99
				8 kHz		16 kHz					
				M ₂ max [Nm]	Type EVS	M ₂ max [Nm]	Type EVS				
35	583	2.2	5.850	74	9324	108	9325	101	565	8.91E-04	GST05 - 2A □□□ 071C22 MDFKA□□ 071-22 120
39	533	2.0	6.400	81	9324	118	9325	105	531	8.83E-04	GST05 - 2A □□□ 071C22 MDFKA□□ 071-22 120
44	471	1.9	7.238	91	9324	133	9325	108	471	8.70E-04	GST05 - 2A □□□ 071C22 MDFKA□□ 071-22 120
50	418	1.8	8.163	103	9324	151	9325	115	418	8.69E-04	GST05 - 2A □□□ 071C22 MDFKA□□ 071-22 120
55	378	1.6	9.010	114	9324	166	9325	119	328	8.84E-04	GST05 - 2A □□□ 071C22 MDFKA□□ 071-22 120
61	341	1.5	10.000	126	9324	184	9325	124	341	8.60E-04	GST05 - 2A □□□ 071C22 MDFKA□□ 071-22 120
68	304	1.4	11.200	141	9324	191	9325	128	258	8.76E-04	GST05 - 2A □□□ 071C22 MDFKA□□ 071-22 120
79	262	1.3	13.016	164	9324	206	9325	137	262	8.48E-04	GST05 - 2A □□□ 071C22 MDFKA□□ 071-22 120
88	238	1.2	14.356	181	9324	210	9325	140	238	8.43E-04	GST05 - 2A □□□ 071C22 MDFKA□□ 071-22 120
99	211	1.3	16.190	204	9324	223	9325	148	211	8.43E-04	GST05 - 2A □□□ 071C22 MDFKA□□ 071-22 120
107	195	1.1	17.500	213	9324	213	9325	142	195	8.57E-04	GST05 - 2A □□□ 071C22 MDFKA□□ 071-22 120
122	170	1.1	20.044	239	9324	239	9325	159	170	8.46E-04	GST05 - 2A □□□ 071C22 MDFKA□□ 071-22 120
34	553	1.8	2.956	85	9324	62	9324	63	553	2.02E-03	GST05 - 2A □□□ 080C22 MDFKA□□ 080-22 60
38	491	2.0	3.333	96	9324	70	9324	78	491	2.01E-03	GST05 - 2A □□□ 080C22 MDFKA□□ 080-22 60
47	403	1.7	4.053	116	9324	85	9324	81	403	2.01E-03	GST05 - 2A □□□ 080C22 MDFKA□□ 080-22 60
53	358	1.7	4.571	131	9324	95	9324	91	358	2.01E-03	GST05 - 2A □□□ 080C22 MDFKA□□ 080-22 60
60	315	1.4	5.187	135	9324	108	9324	90	315	1.98E-03	GST05 - 2A □□□ 080C22 MDFKA□□ 080-22 60
68	279	1.4	5.850	152	9324	122	9324	101	279	1.98E-03	GST05 - 2A □□□ 080C22 MDFKA□□ 080-22 60
74	255	1.4	6.400	157	9324	134	9324	105	255	1.97E-03	GST05 - 2A □□□ 080C22 MDFKA□□ 080-22 60
84	226	1.2	7.238	162	9324	151	9324	108	226	1.96E-03	GST05 - 2A □□□ 080C22 MDFKA□□ 080-22 60
95	200	1.2	8.163	173	9324	170	9324	115	200	1.96E-03	GST05 - 2A □□□ 080C22 MDFKA□□ 080-22 60
105	181	1.1	9.010	178	9324	178	9324	119	181	1.97E-03	GST05 - 2A □□□ 080C22 MDFKA□□ 080-22 60
116	164	1.0	10.000	186	9324	186	9324	124	164	1.95E-03	GST05 - 2A □□□ 080C22 MDFKA□□ 080-22 60
31	1169	1.5	2.956	84	9325	61	9325	63	735	2.02E-03	GST05 - 2A □□□ 080C22 MDFKA□□ 080-22 120
35	1037	1.7	3.333	95	9325	69	9325	78	684	2.01E-03	GST05 - 2A □□□ 080C22 MDFKA□□ 080-22 120
42	852	1.4	4.053	115	9325	83	9325	81	611	2.01E-03	GST05 - 2A □□□ 080C22 MDFKA□□ 080-22 120
48	756	1.4	4.571	130	9325	94	9325	91	541	2.01E-03	GST05 - 2A □□□ 080C22 MDFKA□□ 080-22 120
54	666	1.3	5.187	135	9325	107	9325	90	504	1.98E-03	GST05 - 2A □□□ 080C22 MDFKA□□ 080-22 120
61	591	1.3	5.850	152	9325	120	9325	101	447	1.98E-03	GST05 - 2A □□□ 080C22 MDFKA□□ 080-22 120
67	540	1.2	6.400	157	9325	132	9325	105	419	1.97E-03	GST05 - 2A □□□ 080C22 MDFKA□□ 080-22 120
76	477	1.1	7.238	162	9325	149	9325	108	419	1.96E-03	GST05 - 2A □□□ 080C22 MDFKA□□ 080-22 120
86	423	1.0	8.163	173	9325	168	9325	115	363	1.96E-03	GST05 - 2A □□□ 080C22 MDFKA□□ 080-22 120
12	1665	4.3	2.048	26	9324	38	9325	72	1628	9.76E-04	GST06 - 1A □□□ 071C22 MDFKA□□ 071-22 120
13	1522	4.3	2.240	29	9324	42	9325	79	1522	9.57E-04	GST06 - 1A □□□ 071C22 MDFKA□□ 071-22 120

Observe the notes for thermal dimensioning.

Selection tables - Helical gearboxes

Forced ventilated asynchronous geared servo motors



M ₂ [Nm]	n _{2 trans} [rpm]	c	i	M _{2 max} short-time on geared motor at				M _{2 Gr} gearbox c=1 n ₁ ≤ 1400 rpm [Nm]	n _{2 therm} [rpm]	J _{GM} referred to motor shaft [kgm ²]	Servo helical-geared motor Dimensions on Page 3-99
				8 kHz		16 kHz					
				M _{2 max} [Nm]	Type EVS	M _{2 max} [Nm]	Type EVS				
17	1194	4.0	2.857	37	9324	54	9325	92	1194	9.27E-04	GST06 - 1A □□□ 071C22 MDFKA□□ 071-22 120
21	974	3.7	3.500	45	9324	66	9325	105	974	9.04E-04	GST06 - 1A □□□ 071C22 MDFKA□□ 071-22 120
28	749	2.8	4.556	58	9324	85	9325	105	749	8.78E-04	GST06 - 1A □□□ 071C22 MDFKA□□ 071-22 120
35	602	2.3	5.667	73	9324	106	9325	105	602	8.66E-04	GST06 - 1A □□□ 071C22 MDFKA□□ 071-22 120
45	465	1.7	7.333	94	9324	137	9325	100	465	8.53E-04	GST06 - 1A □□□ 071C22 MDFKA□□ 071-22 120
55	383	1.2	8.900	114	9324	128	9325	85	383	8.47E-04	GST06 - 1A □□□ 071C22 MDFKA□□ 071-22 120
18	1022	3.2	1.600	47	9324	34	9324	61	1022	2.12E-03	GST06 - 1A □□□ 080C22 MDFKA□□ 080-22 60
24	798	2.9	2.048	60	9324	43	9324	72	798	2.07E-03	GST06 - 1A □□□ 080C22 MDFKA□□ 080-22 60
26	730	2.9	2.240	65	9324	47	9324	79	730	2.05E-03	GST06 - 1A □□□ 080C22 MDFKA□□ 080-22 60
33	572	2.7	2.857	83	9324	61	9324	92	572	2.02E-03	GST06 - 1A □□□ 080C22 MDFKA□□ 080-22 60
41	467	2.5	3.500	102	9324	74	9324	105	467	1.99E-03	GST06 - 1A □□□ 080C22 MDFKA□□ 080-22 60
53	359	1.9	4.556	133	9324	97	9324	105	359	1.97E-03	GST06 - 1A □□□ 080C22 MDFKA□□ 080-22 60
67	289	1.5	5.667	158	9324	120	9324	105	289	1.96E-03	GST06 - 1A □□□ 080C22 MDFKA□□ 080-22 60
17	2159	2.7	1.600	46	9325	33	9325	61	1635	2.12E-03	GST06 - 1A □□□ 080C22 MDFKA□□ 080-22 120
21	1687	2.5	2.048	59	9325	43	9325	72	1459	2.07E-03	GST06 - 1A □□□ 080C22 MDFKA□□ 080-22 120
23	1542	2.5	2.240	65	9325	47	9325	79	1379	2.05E-03	GST06 - 1A □□□ 080C22 MDFKA□□ 080-22 120
30	1209	2.3	2.857	83	9325	60	9325	92	1184	2.02E-03	GST06 - 1A □□□ 080C22 MDFKA□□ 080-22 120
37	987	2.1	3.500	101	9325	73	9325	105	987	1.99E-03	GST06 - 1A □□□ 080C22 MDFKA□□ 080-22 120
48	758	1.6	4.556	132	9325	95	9325	105	758	1.97E-03	GST06 - 1A □□□ 080C22 MDFKA□□ 080-22 120
60	610	1.3	5.667	158	9325	118	9325	105	610	1.96E-03	GST06 - 1A □□□ 080C22 MDFKA□□ 080-22 120
34	1050	1.7	1.600	90	9325	66	9325	61	1050	3.80E-03	GST06 - 1A □□□ 090C22 MDFKA□□ 090-22 60
43	820	1.6	2.048	109	9325	85	9325	72	820	3.75E-03	GST06 - 1A □□□ 090C22 MDFKA□□ 090-22 60
47	750	1.6	2.240	118	9325	93	9325	79	750	3.73E-03	GST06 - 1A □□□ 090C22 MDFKA□□ 090-22 60
60	588	1.5	2.857	139	9325	118	9325	92	588	3.70E-03	GST06 - 1A □□□ 090C22 MDFKA□□ 090-22 60
74	480	1.4	3.500	157	9325	145	9325	105	480	3.67E-03	GST06 - 1A □□□ 090C22 MDFKA□□ 090-22 60
30	2175	1.5	1.600	80	9326	70	9327	61	1325	3.80E-03	GST06 - 1A □□□ 090C22 MDFKA□□ 090-22 120
38	1700	1.4	2.048	102	9326	90	9327	72	1148	3.75E-03	GST06 - 1A □□□ 090C22 MDFKA□□ 090-22 120
42	1554	1.4	2.240	112	9326	98	9327	79	1093	3.73E-03	GST06 - 1A □□□ 090C22 MDFKA□□ 090-22 120
53	1218	1.3	2.857	139	9326	126	9327	92	944	3.70E-03	GST06 - 1A □□□ 090C22 MDFKA□□ 090-22 120
65	994	1.2	3.500	157	9326	154	9327	105	861	3.67E-03	GST06 - 1A □□□ 090C22 MDFKA□□ 090-22 120
31	641	4.8	5.324	67	9324	98	9325	207	640	1.01E-03	GST06 - 2A □□□ 071C22 MDFKA□□ 071-22 120
34	583	4.7	5.850	74	9324	108	9325	222	579	1.00E-03	GST06 - 2A □□□ 071C22 MDFKA□□ 071-22 120
38	533	4.5	6.400	81	9324	118	9325	229	533	9.77E-04	GST06 - 2A □□□ 071C22 MDFKA□□ 071-22 120
48	418	3.8	8.163	103	9324	151	9325	252	418	9.36E-04	GST06 - 2A □□□ 071C22 MDFKA□□ 071-22 120

Observe the notes for thermal dimensioning.

Selection tables - Helical gearboxes

Forced ventilated asynchronous geared servo motors

M ₂ [Nm]	n _{2 trans} [rpm]	c	i	M _{2 max} short-time on geared motor at				M _{2 Gr} gearbox c=1 n ₁ ≤ 1400 rpm [Nm]	n _{2 therm} [rpm]	J _{GM} referred to motor shaft [kgm ²]	Servo helical- geared motor Dimensions on Page 3-99
				8 kHz		16 kHz					
				M _{2 max} [Nm]	Type EVS	M _{2 max} [Nm]	Type EVS				
54	378	3.6	9.010	114	9324	166	9325	261	357	9.80E-04	GST06 - 2A □□□ 071C22 MDFKA□□ 071-22 120
60	341	3.3	10.000	126	9324	184	9325	269	341	9.12E-04	GST06 - 2A □□□ 071C22 MDFKA□□ 071-22 120
67	304	3.1	11.200	141	9324	207	9325	280	289	9.56E-04	GST06 - 2A □□□ 071C22 MDFKA□□ 071-22 120
75	271	2.9	12.571	159	9324	232	9325	295	271	9.26E-04	GST06 - 2A □□□ 071C22 MDFKA□□ 071-22 120
86	239	2.7	14.286	180	9324	263	9325	307	239	9.23E-04	GST06 - 2A □□□ 071C22 MDFKA□□ 071-22 120
92	221	2.9	15.400	194	9324	284	9325	318	221	9.05E-04	GST06 - 2A □□□ 071C22 MDFKA□□ 071-22 120
105	195	2.5	17.500	221	9324	323	9325	313	195	9.03E-04	GST06 - 2A □□□ 071C22 MDFKA□□ 071-22 120
121	170	2.5	20.044	253	9324	370	9325	350	170	8.76E-04	GST06 - 2A □□□ 071C22 MDFKA□□ 071-22 120
138	150	2.0	22.778	287	9324	420	9325	315	150	8.75E-04	GST06 - 2A □□□ 071C22 MDFKA□□ 071-22 120
151	137	2.0	24.933	315	9324	460	9325	360	137	8.63E-04	GST06 - 2A □□□ 071C22 MDFKA□□ 071-22 120
172	120	1.6	28.333	357	9324	476	9325	317	120	8.63E-04	GST06 - 2A □□□ 071C22 MDFKA□□ 071-22 120
196	106	1.6	32.267	407	9324	545	9325	363	106	8.52E-04	GST06 - 2A □□□ 071C22 MDFKA□□ 071-22 120
224	93	1.2	36.667	463	9324	483	9325	322	93	8.52E-04	GST06 - 2A □□□ 071C22 MDFKA□□ 071-22 120
239	87	1.3	39.160	494	9324	552	9325	368	87	8.46E-04	GST06 - 2A □□□ 071C22 MDFKA□□ 071-22 120
272	77	1.1	44.500	488	9324	488	9325	325	77	8.46E-04	GST06 - 2A □□□ 071C22 MDFKA□□ 071-22 120
34	539	4.6	3.033	87	9324	63	9324	166	539	2.19E-03	GST06 - 2A □□□ 080C22 MDFKA□□ 080-22 60
37	491	4.4	3.333	96	9324	70	9324	174	491	2.18E-03	GST06 - 2A □□□ 080C22 MDFKA□□ 080-22 60
47	393	3.8	4.160	120	9324	87	9324	191	393	2.17E-03	GST06 - 2A □□□ 080C22 MDFKA□□ 080-22 60
52	358	3.6	4.571	131	9324	95	9324	200	358	2.16E-03	GST06 - 2A □□□ 080C22 MDFKA□□ 080-22 60
61	307	3.3	5.324	153	9324	111	9324	207	307	2.10E-03	GST06 - 2A □□□ 080C22 MDFKA□□ 080-22 60
67	279	3.2	5.850	168	9324	122	9324	222	279	2.09E-03	GST06 - 2A □□□ 080C22 MDFKA□□ 080-22 60
73	255	3.0	6.400	184	9324	134	9324	229	255	2.07E-03	GST06 - 2A □□□ 080C22 MDFKA□□ 080-22 60
80	232	2.8	7.040	202	9324	147	9324	236	232	2.13E-03	GST06 - 2A □□□ 080C22 MDFKA□□ 080-22 60
94	200	2.6	8.163	234	9324	170	9324	252	200	2.03E-03	GST06 - 2A □□□ 080C22 MDFKA□□ 080-22 60
103	181	2.4	9.010	259	9324	188	9324	261	181	2.07E-03	GST06 - 2A □□□ 080C22 MDFKA□□ 080-22 60
115	164	2.2	10.000	287	9324	209	9324	269	164	2.00E-03	GST06 - 2A □□□ 080C22 MDFKA□□ 080-22 60
129	146	2.1	11.200	322	9324	234	9324	280	146	2.05E-03	GST06 - 2A □□□ 080C22 MDFKA□□ 080-22 60
145	130	2.0	12.571	361	9324	262	9324	295	130	2.02E-03	GST06 - 2A □□□ 080C22 MDFKA□□ 080-22 60
165	114	1.8	14.286	410	9324	298	9324	307	114	2.01E-03	GST06 - 2A □□□ 080C22 MDFKA□□ 080-22 60
178	106	1.8	15.400	442	9324	321	9324	318	106	1.99E-03	GST06 - 2A □□□ 080C22 MDFKA□□ 080-22 60
203	93	1.5	17.500	470	9324	365	9324	313	93	1.99E-03	GST06 - 2A □□□ 080C22 MDFKA□□ 080-22 60
232	82	1.5	20.044	525	9324	418	9324	350	82	1.97E-03	GST06 - 2A □□□ 080C22 MDFKA□□ 080-22 60
265	72	1.2	22.778	473	9324	473	9324	315	72	1.97E-03	GST06 - 2A □□□ 080C22 MDFKA□□ 080-22 60
290	66	1.2	24.933	540	9324	520	9324	360	66	1.95E-03	GST06 - 2A □□□ 080C22 MDFKA□□ 080-22 60

Observe the notes for thermal dimensioning.

Selection tables - Helical gearboxes

Forced ventilated asynchronous geared servo motors



M ₂ [Nm]	n _{2 trans} [rpm]	c	i	M _{2 max} short-time on geared motor at				M _{2 Gr} gearbox c=1 n ₁ ≤ 1400 rpm [Nm]	n _{2 therm} [rpm]	J _{GM} referred to motor shaft [kgm ²]	Servo helical-geared motor Dimensions on Page 3-99
				8 kHz		16 kHz					
				M _{2 max} [Nm]	Type EVS	M _{2 max} [Nm]	Type EVS				
31	1139	4.0	3.033	86	9325	62	9325	166	803	2.19E-03	GST06 - 2A □□□ 080C22 MDFKA□□ 080-22 120
34	1037	3.8	3.333	95	9325	69	9325	174	724	2.18E-03	GST06 - 2A □□□ 080C22 MDFKA□□ 080-22 120
43	831	3.3	4.160	118	9325	86	9325	191	656	2.17E-03	GST06 - 2A □□□ 080C22 MDFKA□□ 080-22 120
47	756	3.2	4.571	130	9325	94	9325	200	590	2.16E-03	GST06 - 2A □□□ 080C22 MDFKA□□ 080-22 120
55	649	2.8	5.324	151	9325	110	9325	207	574	2.10E-03	GST06 - 2A □□□ 080C22 MDFKA□□ 080-22 120
60	591	2.7	5.850	166	9325	120	9325	222	520	2.09E-03	GST06 - 2A □□□ 080C22 MDFKA□□ 080-22 120
66	540	2.6	6.400	182	9325	132	9325	229	487	2.07E-03	GST06 - 2A □□□ 080C22 MDFKA□□ 080-22 120
73	491	2.4	7.040	200	9325	145	9325	236	362	2.13E-03	GST06 - 2A □□□ 080C22 MDFKA□□ 080-22 120
84	423	2.2	8.163	232	9325	168	9325	252	412	2.03E-03	GST06 - 2A □□□ 080C22 MDFKA□□ 080-22 120
93	383	2.1	9.010	256	9325	185	9325	261	318	2.07E-03	GST06 - 2A □□□ 080C22 MDFKA□□ 080-22 120
104	346	1.9	10.000	284	9325	206	9325	269	346	2.00E-03	GST06 - 2A □□□ 080C22 MDFKA□□ 080-22 120
116	308	1.8	11.200	318	9325	230	9325	280	250	2.05E-03	GST06 - 2A □□□ 080C22 MDFKA□□ 080-22 120
131	275	1.7	12.571	357	9325	259	9325	295	242	2.02E-03	GST06 - 2A □□□ 080C22 MDFKA□□ 080-22 120
149	242	1.6	14.286	406	9325	294	9325	307	204	2.01E-03	GST06 - 2A □□□ 080C22 MDFKA□□ 080-22 120
160	224	1.7	15.400	438	9325	317	9325	318	224	1.99E-03	GST06 - 2A □□□ 080C22 MDFKA□□ 080-22 120
182	197	1.5	17.500	470	9325	360	9325	313	189	1.99E-03	GST06 - 2A □□□ 080C22 MDFKA□□ 080-22 120
209	172	1.4	20.044	525	9325	412	9325	350	172	1.97E-03	GST06 - 2A □□□ 080C22 MDFKA□□ 080-22 120
238	152	1.1	22.778	473	9325	469	9325	315	152	1.97E-03	GST06 - 2A □□□ 080C22 MDFKA□□ 080-22 120
261	139	1.2	24.933	540	9325	513	9325	360	139	1.95E-03	GST06 - 2A □□□ 080C22 MDFKA□□ 080-22 120
62	554	2.5	3.033	168	9325	124	9325	166	554	3.87E-03	GST06 - 2A □□□ 090C22 MDFKA□□ 090-22 60
69	504	2.4	3.333	185	9325	136	9325	174	504	3.86E-03	GST06 - 2A □□□ 090C22 MDFKA□□ 090-22 60
86	404	2.1	4.160	231	9325	170	9325	191	404	3.85E-03	GST06 - 2A □□□ 090C22 MDFKA□□ 090-22 60
94	368	2.0	4.571	254	9325	186	9325	200	368	3.84E-03	GST06 - 2A □□□ 090C22 MDFKA□□ 090-22 60
110	316	1.8	5.324	296	9325	217	9325	207	316	3.78E-03	GST06 - 2A □□□ 090C22 MDFKA□□ 090-22 60
121	287	1.8	5.850	325	9325	238	9325	222	287	3.77E-03	GST06 - 2A □□□ 090C22 MDFKA□□ 090-22 60
133	263	1.7	6.400	344	9325	261	9325	229	263	3.75E-03	GST06 - 2A □□□ 090C22 MDFKA□□ 090-22 60
146	239	1.5	7.040	354	9325	287	9325	236	239	3.81E-03	GST06 - 2A □□□ 090C22 MDFKA□□ 090-22 60
170	206	1.4	8.163	377	9325	333	9325	252	206	3.71E-03	GST06 - 2A □□□ 090C22 MDFKA□□ 090-22 60
187	186	1.3	9.010	391	9325	367	9325	261	186	3.75E-03	GST06 - 2A □□□ 090C22 MDFKA□□ 090-22 60
208	168	1.2	10.000	404	9325	404	9325	269	168	3.68E-03	GST06 - 2A □□□ 090C22 MDFKA□□ 090-22 60
233	150	1.2	11.200	420	9325	420	9325	280	150	3.73E-03	GST06 - 2A □□□ 090C22 MDFKA□□ 090-22 60
262	134	1.1	12.571	443	9325	443	9325	295	134	3.70E-03	GST06 - 2A □□□ 090C22 MDFKA□□ 090-22 60
55	1147	2.2	3.033	149	9326	131	9327	166	708	3.87E-03	GST06 - 2A □□□ 090C22 MDFKA□□ 090-22 120
61	1044	2.1	3.333	164	9326	144	9327	174	637	3.86E-03	GST06 - 2A □□□ 090C22 MDFKA□□ 090-22 120

Observe the notes for thermal dimensioning.

Selection tables - Helical gearboxes

Forced ventilated asynchronous geared servo motors

M ₂ [Nm]	n _{2 trans} [rpm]	c	i	M _{2 max} short-time on geared motor at				M _{2 Gr} gearbox c=1 n ₁ ≤ 1400 rpm [Nm]	n _{2 therm} [rpm]	J _{GM} referred to motor shaft [kgm ²]	Servo helical- geared motor Dimensions on Page 3-99
				8 kHz		16 kHz					
				M _{2 max} [Nm]	Type EVS	M _{2 max} [Nm]	Type EVS				
76	837	1.9	4.160	205	9326	180	9327	191	569	3.85E-03	GST06 - 2A □□□ 090C22 MDFKA□□ 090-22 120
84	761	1.8	4.571	225	9326	198	9327	200	503	3.84E-03	GST06 - 2A □□□ 090C22 MDFKA□□ 090-22 120
98	654	1.6	5.324	262	9326	230	9327	207	470	3.78E-03	GST06 - 2A □□□ 090C22 MDFKA□□ 090-22 120
107	595	1.6	5.850	288	9326	253	9327	222	421	3.77E-03	GST06 - 2A □□□ 090C22 MDFKA□□ 090-22 120
117	544	1.5	6.400	315	9326	277	9327	229	390	3.75E-03	GST06 - 2A □□□ 090C22 MDFKA□□ 090-22 120
129	494	1.4	7.040	346	9326	305	9327	236	283	3.81E-03	GST06 - 2A □□□ 090C22 MDFKA□□ 090-22 120
150	426	1.3	8.163	377	9326	353	9327	252	326	3.71E-03	GST06 - 2A □□□ 090C22 MDFKA□□ 090-22 120
166	386	1.2	9.010	391	9326	390	9327	261	237	3.75E-03	GST06 - 2A □□□ 090C22 MDFKA□□ 090-22 120
184	348	1.1	10.000	404	9326	404	9327	269	289	3.68E-03	GST06 - 2A □□□ 090C22 MDFKA□□ 090-22 120
206	311	1.0	11.200	420	9326	420	9327	280	188	3.73E-03	GST06 - 2A □□□ 090C22 MDFKA□□ 090-22 120
236	87	1.2	39.200	482	9324	482	9325	321	87	8.66E-04	GST06 - 3A □□□ 071C22 MDFKA□□ 071-22 120
264	78	1.2	44.000	503	9324	503	9325	335	78	8.50E-04	GST06 - 3A □□□ 071C22 MDFKA□□ 071-22 120
307	67	1.0	51.022	488	9324	488	9325	325	67	8.62E-04	GST06 - 3A □□□ 071C22 MDFKA□□ 071-22 120
324	63	1.0	53.900	523	9324	523	9325	349	63	8.48E-04	GST06 - 3A □□□ 071C22 MDFKA□□ 071-22 120
17	1194	5.1	2.857	37	9324	54	9325	118	1194	1.10E-03	GST07 - 1A □□□ 071C22 MDFKA□□ 071-22 120
27	749	4.0	4.556	58	9324	85	9325	150	749	9.67E-04	GST07 - 1A □□□ 071C22 MDFKA□□ 071-22 120
34	611	3.4	5.583	72	9324	105	9325	156	611	9.35E-04	GST07 - 1A □□□ 071C22 MDFKA□□ 071-22 120
45	465	2.7	7.333	94	9324	137	9325	161	465	8.96E-04	GST07 - 1A □□□ 071C22 MDFKA□□ 071-22 120
55	383	2.3	8.900	114	9324	167	9325	164	383	8.79E-04	GST07 - 1A □□□ 071C22 MDFKA□□ 071-22 120
69	303	1.5	11.250	144	9324	205	9325	136	303	8.62E-04	GST07 - 1A □□□ 071C22 MDFKA□□ 071-22 120
23	818	5.1	2.000	58	9324	42	9324	124	818	2.40E-03	GST07 - 1A □□□ 080C22 MDFKA□□ 080-22 60
25	730	4.9	2.240	65	9324	47	9324	135	730	2.32E-03	GST07 - 1A □□□ 080C22 MDFKA□□ 080-22 60
33	572	4.6	2.857	83	9324	61	9324	159	572	2.19E-03	GST07 - 1A □□□ 080C22 MDFKA□□ 080-22 60
40	467	4.0	3.500	102	9324	74	9324	172	467	2.14E-03	GST07 - 1A □□□ 080C22 MDFKA□□ 080-22 60
53	359	3.4	4.556	133	9324	97	9324	186	359	2.06E-03	GST07 - 1A □□□ 080C22 MDFKA□□ 080-22 60
65	293	2.9	5.583	163	9324	118	9324	196	293	2.03E-03	GST07 - 1A □□□ 080C22 MDFKA□□ 080-22 60
86	223	2.2	7.333	214	9324	155	9324	196	223	1.99E-03	GST07 - 1A □□□ 080C22 MDFKA□□ 080-22 60
104	184	1.7	8.900	260	9324	189	9324	183	184	1.97E-03	GST07 - 1A □□□ 080C22 MDFKA□□ 080-22 60
21	1728	4.4	2.000	58	9325	42	9325	124	1386	2.40E-03	GST07 - 1A □□□ 080C22 MDFKA□□ 080-22 120
23	1542	4.3	2.240	65	9325	47	9325	135	1280	2.32E-03	GST07 - 1A □□□ 080C22 MDFKA□□ 080-22 120
29	1209	4.0	2.857	83	9325	60	9325	159	1154	2.19E-03	GST07 - 1A □□□ 080C22 MDFKA□□ 080-22 120
36	987	3.5	3.500	101	9325	73	9325	172	987	2.14E-03	GST07 - 1A □□□ 080C22 MDFKA□□ 080-22 120
48	758	2.9	4.556	132	9325	95	9325	186	758	2.06E-03	GST07 - 1A □□□ 080C22 MDFKA□□ 080-22 120
58	619	2.5	5.583	161	9325	117	9325	196	619	2.03E-03	GST07 - 1A □□□ 080C22 MDFKA□□ 080-22 120

Observe the notes for thermal dimensioning.

Selection tables - Helical gearboxes

Forced ventilated asynchronous geared servo motors



M ₂ [Nm]	n _{2 trans} [rpm]	c	i	M _{2 max} short-time on geared motor at				M _{2 Gr} gearbox c=1 n ₁ ≤ 1400 rpm [Nm]	n _{2 therm} [rpm]	J _{GM} referred to motor shaft [kgm ²]	Servo helical-geared motor Dimensions on Page 3-99
				8 kHz		16 kHz					
				M _{2 max} [Nm]	Type EVS	M _{2 max} [Nm]	Type EVS				
77	471	1.9	7.333	212	9325	153	9325	196	471	1.99E-03	GST07 - 1A □□□ 080C22 MDFKA□□ 080-22 120
94	388	1.5	8.900	257	9325	186	9325	183	388	1.97E-03	GST07 - 1A □□□ 080C22 MDFKA□□ 080-22 120
34	1034	3.0	1.625	92	9325	67	9325	106	1034	4.21E-03	GST07 - 1A □□□ 090C22 MDFKA□□ 090-22 60
42	840	2.8	2.000	113	9325	83	9325	124	840	4.08E-03	GST07 - 1A □□□ 090C22 MDFKA□□ 090-22 60
47	750	2.7	2.240	126	9325	93	9325	135	750	4.00E-03	GST07 - 1A □□□ 090C22 MDFKA□□ 090-22 60
60	588	2.5	2.857	161	9325	118	9325	159	588	3.87E-03	GST07 - 1A □□□ 090C22 MDFKA□□ 090-22 60
73	480	2.2	3.500	197	9325	145	9325	172	480	3.82E-03	GST07 - 1A □□□ 090C22 MDFKA□□ 090-22 60
96	369	1.9	4.556	257	9325	189	9325	186	369	3.74E-03	GST07 - 1A □□□ 090C22 MDFKA□□ 090-22 60
118	301	1.6	5.583	294	9325	231	9325	196	301	3.71E-03	GST07 - 1A □□□ 090C22 MDFKA□□ 090-22 60
30	2142	2.6	1.625	81	9326	71	9327	106	1347	4.21E-03	GST07 - 1A □□□ 090C22 MDFKA□□ 090-22 120
37	1740	2.5	2.000	100	9326	88	9327	124	1225	4.08E-03	GST07 - 1A □□□ 090C22 MDFKA□□ 090-22 120
41	1554	2.4	2.240	112	9326	98	9327	135	1136	4.00E-03	GST07 - 1A □□□ 090C22 MDFKA□□ 090-22 120
53	1218	2.2	2.857	143	9326	126	9327	159	1027	3.87E-03	GST07 - 1A □□□ 090C22 MDFKA□□ 090-22 120
65	994	2.0	3.500	175	9326	154	9327	172	889	3.82E-03	GST07 - 1A □□□ 090C22 MDFKA□□ 090-22 120
85	764	1.6	4.556	228	9326	200	9327	186	683	3.74E-03	GST07 - 1A □□□ 090C22 MDFKA□□ 090-22 120
104	623	1.4	5.583	279	9326	245	9327	196	557	3.71E-03	GST07 - 1A □□□ 090C22 MDFKA□□ 090-22 120
58	1046	1.8	1.625	80	9325	97	9326	106	1046	7.81E-03	GST07 - 1A □□□ 100C22 MDFKA□□ 100-22 60
71	850	1.7	2.000	99	9325	119	9326	124	850	7.68E-03	GST07 - 1A □□□ 100C22 MDFKA□□ 100-22 60
80	759	1.6	2.240	111	9325	134	9326	135	759	7.60E-03	GST07 - 1A □□□ 100C22 MDFKA□□ 100-22 60
102	595	1.5	2.857	141	9325	170	9326	159	595	7.47E-03	GST07 - 1A □□□ 100C22 MDFKA□□ 100-22 60
125	486	1.3	3.500	173	9325	209	9326	172	486	7.42E-03	GST07 - 1A □□□ 100C22 MDFKA□□ 100-22 60
57	2160	1.4	1.625	108	9327	102	9328	106	1027	7.81E-03	GST07 - 1A □□□ 100C22 MDFKA□□ 100-22 120
71	1755	1.3	2.000	133	9327	126	9328	124	915	7.68E-03	GST07 - 1A □□□ 100C22 MDFKA□□ 100-22 120
79	1567	1.3	2.240	149	9327	141	9328	135	854	7.60E-03	GST07 - 1A □□□ 100C22 MDFKA□□ 100-22 120
101	1229	1.2	2.857	190	9327	180	9328	159	753	7.47E-03	GST07 - 1A □□□ 100C22 MDFKA□□ 100-22 120
124	1003	1.0	3.500	233	9327	221	9328	172	663	7.42E-03	GST07 - 1A □□□ 100C22 MDFKA□□ 100-22 120
98	1052	1.0	1.625	159	9326	159	9328	106	887	1.86E-02	GST07 - 1A □□□ 112C22 MDFKA□□ 112-22 60
74	271	5.1	12.571	159	9324	232	9325	513	271	1.12E-03	GST07 - 2A □□□ 071C22 MDFKA□□ 071-22 120
84	239	5.1	14.286	180	9324	263	9325	583	239	1.11E-03	GST07 - 2A □□□ 071C22 MDFKA□□ 071-22 120
118	170	4.6	20.044	253	9324	370	9325	650	170	9.68E-04	GST07 - 2A □□□ 071C22 MDFKA□□ 071-22 120
135	150	4.2	22.778	287	9324	420	9325	682	150	9.65E-04	GST07 - 2A □□□ 071C22 MDFKA□□ 071-22 120
146	139	3.9	24.567	310	9324	453	9325	677	139	9.32E-04	GST07 - 2A □□□ 071C22 MDFKA□□ 071-22 120
166	122	3.5	27.917	352	9324	515	9325	691	122	9.31E-04	GST07 - 2A □□□ 071C22 MDFKA□□ 071-22 120
193	106	3.1	32.267	407	9324	595	9325	698	106	8.96E-04	GST07 - 2A □□□ 071C22 MDFKA□□ 071-22 120

Observe the notes for thermal dimensioning.

Selection tables - Helical gearboxes

Forced ventilated asynchronous geared servo motors

M ₂ [Nm]	n ₂ trans [rpm]	c	i	M ₂ max short-time on geared motor at				M ₂ Gr gearbox c=1 n ₁ ≤ 1400 rpm [Nm]	n ₂ therm [rpm]	J _{GM} referred to motor shaft [kgm ²]	Servo helical- geared motor Dimensions on Page 3-99
				8 kHz		16 kHz					
				M ₂ max [Nm]	Type EVS	M ₂ max [Nm]	Type EVS				
220	93	2.7	36.667	463	9324	676	9325	702	93	8.95E-04	GST07 - 2A □□□ 071C22 MDFKA□□ 071-22 120
236	87	2.5	39.160	494	9324	722	9325	706	87	8.79E-04	GST07 - 2A □□□ 071C22 MDFKA□□ 071-22 120
268	77	2.5	44.500	561	9324	820	9325	707	77	8.78E-04	GST07 - 2A □□□ 071C22 MDFKA□□ 071-22 120
300	69	1.9	49.500	624	9324	900	9325	600	69	8.63E-04	GST07 - 2A □□□ 071C22 MDFKA□□ 071-22 120
341	61	1.9	56.250	710	9324	1032	9325	688	61	8.63E-04	GST07 - 2A □□□ 071C22 MDFKA□□ 071-22 120
98	186	5.0	8.800	253	9324	184	9324	527	186	2.39E-03	GST07 - 2A □□□ 080C22 MDFKA□□ 080-22 60
110	166	4.7	9.856	283	9324	206	9324	549	166	2.31E-03	GST07 - 2A □□□ 080C22 MDFKA□□ 080-22 60
126	146	4.5	11.200	322	9324	234	9324	598	146	2.30E-03	GST07 - 2A □□□ 080C22 MDFKA□□ 080-22 60
142	130	4.0	12.571	361	9324	262	9324	601	130	2.21E-03	GST07 - 2A □□□ 080C22 MDFKA□□ 080-22 60
162	114	3.7	14.286	410	9324	298	9324	642	114	2.20E-03	GST07 - 2A □□□ 080C22 MDFKA□□ 080-22 60
175	106	3.6	15.400	442	9324	321	9324	644	106	2.15E-03	GST07 - 2A □□□ 080C22 MDFKA□□ 080-22 60
199	93	3.3	17.500	503	9324	365	9324	680	93	2.14E-03	GST07 - 2A □□□ 080C22 MDFKA□□ 080-22 60
229	82	3.0	20.044	576	9324	418	9324	694	82	2.06E-03	GST07 - 2A □□□ 080C22 MDFKA□□ 080-22 60
261	72	2.6	22.778	654	9324	475	9324	682	72	2.06E-03	GST07 - 2A □□□ 080C22 MDFKA□□ 080-22 60
282	67	2.5	24.567	706	9324	513	9324	706	67	2.02E-03	GST07 - 2A □□□ 080C22 MDFKA□□ 080-22 60
321	59	2.1	27.917	802	9324	582	9324	691	59	2.02E-03	GST07 - 2A □□□ 080C22 MDFKA□□ 080-22 60
372	51	1.9	32.267	927	9324	673	9324	706	51	1.99E-03	GST07 - 2A □□□ 080C22 MDFKA□□ 080-22 60
424	45	1.6	36.667	1053	9324	765	9324	702	45	1.99E-03	GST07 - 2A □□□ 080C22 MDFKA□□ 080-22 60
453	42	1.5	39.160	1059	9324	817	9324	706	42	1.97E-03	GST07 - 2A □□□ 080C22 MDFKA□□ 080-22 60
516	37	1.4	44.500	1061	9324	928	9324	707	37	1.97E-03	GST07 - 2A □□□ 080C22 MDFKA□□ 080-22 60
52	664	5.6	5.200	148	9325	107	9325	405	560	2.48E-03	GST07 - 2A □□□ 080C22 MDFKA□□ 080-22 120
57	605	5.6	5.714	162	9325	118	9325	445	510	2.47E-03	GST07 - 2A □□□ 080C22 MDFKA□□ 080-22 120
64	540	5.2	6.400	182	9325	132	9325	463	466	2.37E-03	GST07 - 2A □□□ 080C22 MDFKA□□ 080-22 120
89	393	4.3	8.800	250	9325	181	9325	527	314	2.39E-03	GST07 - 2A □□□ 080C22 MDFKA□□ 080-22 120
100	351	4.0	9.856	280	9325	203	9325	549	287	2.31E-03	GST07 - 2A □□□ 080C22 MDFKA□□ 080-22 120
114	308	3.9	11.200	318	9325	230	9325	598	251	2.30E-03	GST07 - 2A □□□ 080C22 MDFKA□□ 080-22 120
128	275	3.5	12.571	357	9325	259	9325	601	255	2.21E-03	GST07 - 2A □□□ 080C22 MDFKA□□ 080-22 120
146	242	3.2	14.286	406	9325	294	9325	642	222	2.20E-03	GST07 - 2A □□□ 080C22 MDFKA□□ 080-22 120
157	224	3.4	15.400	438	9325	317	9325	644	224	2.15E-03	GST07 - 2A □□□ 080C22 MDFKA□□ 080-22 120
179	197	3.2	17.500	498	9325	360	9325	680	197	2.14E-03	GST07 - 2A □□□ 080C22 MDFKA□□ 080-22 120
206	172	2.8	20.044	570	9325	412	9325	694	172	2.06E-03	GST07 - 2A □□□ 080C22 MDFKA□□ 080-22 120
235	152	2.5	22.778	648	9325	469	9325	682	152	2.06E-03	GST07 - 2A □□□ 080C22 MDFKA□□ 080-22 120
254	141	2.4	24.567	698	9325	505	9325	706	141	2.02E-03	GST07 - 2A □□□ 080C22 MDFKA□□ 080-22 120
289	124	2.0	27.917	794	9325	574	9325	691	124	2.02E-03	GST07 - 2A □□□ 080C22 MDFKA□□ 080-22 120

Observe the notes for thermal dimensioning.

Selection tables - Helical gearboxes

Forced ventilated asynchronous geared servo motors



M ₂ [Nm]	n ₂ trans [rpm]	c	i	M ₂ max short-time on geared motor at				M ₂ Gr gearbox c=1 n ₁ ≤ 1400 rpm [Nm]	n ₂ therm [rpm]	J _{GM} referred to motor shaft [kgm ²]	Servo helical- geared motor Dimensions on Page 3-99
				8 kHz		16 kHz					
				M ₂ max [Nm]	Type EVS	M ₂ max [Nm]	Type EVS				
335	107	1.8	32.267	917	9325	664	9325	706	107	1.99E-03	GST07 - 2A □□□ 080C22 MDFKA□□ 080-22 120
382	94	1.6	36.667	1042	9325	754	9325	702	94	1.99E-03	GST07 - 2A □□□ 080C22 MDFKA□□ 080-22 120
408	88	1.5	39.160	1059	9325	806	9325	706	88	1.97E-03	GST07 - 2A □□□ 080C22 MDFKA□□ 080-22 120
464	78	1.4	44.500	1061	9325	915	9325	707	78	1.97E-03	GST07 - 2A □□□ 080C22 MDFKA□□ 080-22 120
61	551	4.8	3.048	169	9325	124	9325	317	551	4.42E-03	GST07 - 2A □□□ 090C22 MDFKA□□ 090-22 60
67	502	4.8	3.350	186	9325	137	9325	349	502	4.39E-03	GST07 - 2A □□□ 090C22 MDFKA□□ 090-22 60
85	398	4.3	4.225	235	9325	172	9325	398	398	4.37E-03	GST07 - 2A □□□ 090C22 MDFKA□□ 090-22 60
94	362	4.1	4.643	258	9325	189	9325	414	362	4.34E-03	GST07 - 2A □□□ 090C22 MDFKA□□ 090-22 60
105	323	3.8	5.200	289	9325	212	9325	427	323	4.16E-03	GST07 - 2A □□□ 090C22 MDFKA□□ 090-22 60
116	294	3.6	5.714	317	9325	233	9325	448	294	4.15E-03	GST07 - 2A □□□ 090C22 MDFKA□□ 090-22 60
130	263	3.3	6.400	355	9325	261	9325	463	263	4.05E-03	GST07 - 2A □□□ 090C22 MDFKA□□ 090-22 60
146	235	3.2	7.150	397	9325	291	9325	489	235	4.23E-03	GST07 - 2A □□□ 090C22 MDFKA□□ 090-22 60
166	207	3.1	8.125	451	9325	331	9325	539	207	4.20E-03	GST07 - 2A □□□ 090C22 MDFKA□□ 090-22 60
180	191	2.8	8.800	488	9325	359	9325	527	191	4.07E-03	GST07 - 2A □□□ 090C22 MDFKA□□ 090-22 60
202	170	2.6	9.856	547	9325	402	9325	549	170	3.99E-03	GST07 - 2A □□□ 090C22 MDFKA□□ 090-22 60
230	150	2.5	11.200	622	9325	456	9325	598	150	3.98E-03	GST07 - 2A □□□ 090C22 MDFKA□□ 090-22 60
259	134	2.2	12.571	698	9325	512	9325	601	134	3.89E-03	GST07 - 2A □□□ 090C22 MDFKA□□ 090-22 60
295	118	2.1	14.286	793	9325	582	9325	642	118	3.88E-03	GST07 - 2A □□□ 090C22 MDFKA□□ 090-22 60
318	109	2.0	15.400	855	9325	628	9325	644	109	3.83E-03	GST07 - 2A □□□ 090C22 MDFKA□□ 090-22 60
362	96	1.9	17.500	971	9325	713	9325	680	96	3.82E-03	GST07 - 2A □□□ 090C22 MDFKA□□ 090-22 60
415	84	1.7	20.044	1041	9325	817	9325	694	84	3.74E-03	GST07 - 2A □□□ 090C22 MDFKA□□ 090-22 60
473	74	1.4	22.778	1023	9325	928	9325	682	74	3.74E-03	GST07 - 2A □□□ 090C22 MDFKA□□ 090-22 60
510	68	1.4	24.567	1059	9325	1001	9325	706	68	3.70E-03	GST07 - 2A □□□ 090C22 MDFKA□□ 090-22 60
581	60	1.2	27.917	1037	9325	1037	9325	691	60	3.70E-03	GST07 - 2A □□□ 090C22 MDFKA□□ 090-22 60
54	1142	4.3	3.048	150	9326	132	9327	317	693	4.42E-03	GST07 - 2A □□□ 090C22 MDFKA□□ 090-22 120
60	1039	4.3	3.350	165	9326	145	9327	349	631	4.39E-03	GST07 - 2A □□□ 090C22 MDFKA□□ 090-22 120
76	824	3.9	4.225	208	9326	183	9327	398	564	4.37E-03	GST07 - 2A □□□ 090C22 MDFKA□□ 090-22 120
83	750	3.7	4.643	228	9326	201	9327	414	507	4.34E-03	GST07 - 2A □□□ 090C22 MDFKA□□ 090-22 120
94	669	3.4	5.200	256	9326	225	9327	427	504	4.16E-03	GST07 - 2A □□□ 090C22 MDFKA□□ 090-22 120
103	609	3.2	5.714	281	9326	247	9327	448	454	4.15E-03	GST07 - 2A □□□ 090C22 MDFKA□□ 090-22 120
116	544	3.0	6.400	315	9326	277	9327	463	415	4.05E-03	GST07 - 2A □□□ 090C22 MDFKA□□ 090-22 120
129	487	2.8	7.150	352	9326	309	9327	489	311	4.23E-03	GST07 - 2A □□□ 090C22 MDFKA□□ 090-22 120
147	428	2.7	8.125	400	9326	352	9327	539	271	4.20E-03	GST07 - 2A □□□ 090C22 MDFKA□□ 090-22 120
160	395	2.5	8.800	433	9326	381	9327	527	277	4.07E-03	GST07 - 2A □□□ 090C22 MDFKA□□ 090-22 120

Observe the notes for thermal dimensioning.

Selection tables - Helical gearboxes

Forced ventilated asynchronous geared servo motors

M ₂ [Nm]	n ₂ trans [rpm]	c	i	M ₂ max short-time on geared motor at				M ₂ Gr gearbox c=1 n ₁ ≤ 1400 rpm [Nm]	n ₂ therm [rpm]	J _{GM} referred to motor shaft [kgm ²]	Servo helical- geared motor Dimensions on Page 3-99
				8 kHz		16 kHz					
				M ₂ max [Nm]	Type EVS	M ₂ max [Nm]	Type EVS				
179	353	2.3	9.856	485	9326	427	9327	549	255	3.99E-03	GST07 - 2A □□□ 090C22 MDFKA□□ 090-22 120
204	311	2.2	11.200	551	9326	485	9327	598	222	3.98E-03	GST07 - 2A □□□ 090C22 MDFKA□□ 090-22 120
229	277	2.0	12.571	618	9326	544	9327	601	226	3.89E-03	GST07 - 2A □□□ 090C22 MDFKA□□ 090-22 120
261	244	1.8	14.286	703	9326	618	9327	642	192	3.88E-03	GST07 - 2A □□□ 090C22 MDFKA□□ 090-22 120
281	226	1.9	15.400	758	9326	666	9327	644	202	3.83E-03	GST07 - 2A □□□ 090C22 MDFKA□□ 090-22 120
320	199	1.8	17.500	861	9326	757	9327	680	171	3.82E-03	GST07 - 2A □□□ 090C22 MDFKA□□ 090-22 120
367	174	1.6	20.044	986	9326	867	9327	694	155	3.74E-03	GST07 - 2A □□□ 090C22 MDFKA□□ 090-22 120
418	153	1.4	22.778	1023	9326	986	9327	682	137	3.74E-03	GST07 - 2A □□□ 090C22 MDFKA□□ 090-22 120
451	142	1.3	24.567	1059	9326	1059	9327	706	127	3.70E-03	GST07 - 2A □□□ 090C22 MDFKA□□ 090-22 120
514	125	1.2	27.917	1037	9326	1037	9327	691	111	3.70E-03	GST07 - 2A □□□ 090C22 MDFKA□□ 090-22 120
105	558	3.1	3.048	148	9325	179	9326	351	558	8.02E-03	GST07 - 2A □□□ 100C22 MDFKA□□ 100-22 60
116	508	3.0	3.350	163	9325	197	9326	367	508	7.99E-03	GST07 - 2A □□□ 100C22 MDFKA□□ 100-22 60
146	402	2.6	4.225	205	9325	248	9326	398	402	7.97E-03	GST07 - 2A □□□ 100C22 MDFKA□□ 100-22 60
161	366	2.4	4.643	226	9325	273	9326	414	366	7.94E-03	GST07 - 2A □□□ 100C22 MDFKA□□ 100-22 60
181	327	2.2	5.200	253	9325	305	9326	427	327	7.76E-03	GST07 - 2A □□□ 100C22 MDFKA□□ 100-22 60
199	298	2.1	5.714	278	9325	335	9326	448	298	7.75E-03	GST07 - 2A □□□ 100C22 MDFKA□□ 100-22 60
223	266	2.0	6.400	311	9325	376	9326	463	266	7.65E-03	GST07 - 2A □□□ 100C22 MDFKA□□ 100-22 60
250	238	1.9	7.150	348	9325	420	9326	489	238	7.83E-03	GST07 - 2A □□□ 100C22 MDFKA□□ 100-22 60
284	209	1.8	8.125	395	9325	477	9326	539	209	7.80E-03	GST07 - 2A □□□ 100C22 MDFKA□□ 100-22 60
308	193	1.6	8.800	428	9325	517	9326	527	193	7.67E-03	GST07 - 2A □□□ 100C22 MDFKA□□ 100-22 60
345	172	1.5	9.856	479	9325	579	9326	549	172	7.59E-03	GST07 - 2A □□□ 100C22 MDFKA□□ 100-22 60
393	152	1.5	11.200	544	9325	657	9326	598	152	7.58E-03	GST07 - 2A □□□ 100C22 MDFKA□□ 100-22 60
441	135	1.3	12.571	611	9325	738	9326	601	135	7.49E-03	GST07 - 2A □□□ 100C22 MDFKA□□ 100-22 60
502	119	1.2	14.286	694	9325	839	9326	642	119	7.48E-03	GST07 - 2A □□□ 100C22 MDFKA□□ 100-22 60
541	110	1.2	15.400	749	9325	904	9326	644	110	7.43E-03	GST07 - 2A □□□ 100C22 MDFKA□□ 100-22 60
616	97	1.1	17.500	851	9325	1020	9326	680	97	7.42E-03	GST07 - 2A □□□ 100C22 MDFKA□□ 100-22 60
105	1151	2.5	3.048	200	9327	189	9328	351	610	8.02E-03	GST07 - 2A □□□ 100C22 MDFKA□□ 100-22 120
115	1048	2.4	3.350	220	9327	208	9328	367	548	7.99E-03	GST07 - 2A □□□ 100C22 MDFKA□□ 100-22 120
146	831	2.0	4.225	277	9327	262	9328	398	487	7.97E-03	GST07 - 2A □□□ 100C22 MDFKA□□ 100-22 120
161	756	1.9	4.643	305	9327	288	9328	414	434	7.94E-03	GST07 - 2A □□□ 100C22 MDFKA□□ 100-22 120
180	675	1.8	5.200	341	9327	323	9328	427	417	7.76E-03	GST07 - 2A □□□ 100C22 MDFKA□□ 100-22 120
198	614	1.7	5.714	375	9327	355	9328	448	369	7.75E-03	GST07 - 2A □□□ 100C22 MDFKA□□ 100-22 120
222	548	1.6	6.400	420	9327	397	9328	463	332	7.65E-03	GST07 - 2A □□□ 100C22 MDFKA□□ 100-22 120
249	491	1.5	7.150	469	9327	444	9328	489	241	7.83E-03	GST07 - 2A □□□ 100C22 MDFKA□□ 100-22 120

Observe the notes for thermal dimensioning.

Selection tables - Helical gearboxes

Forced ventilated asynchronous geared servo motors



M ₂ [Nm]	n _{2 trans} [rpm]	c	i	M _{2 max} short-time on geared motor at				M _{2 Gr} gearbox c=1 n ₁ ≤ 1400 rpm [Nm]	n _{2 therm} [rpm]	J _{GM} referred to motor shaft [kgm ²]	Servo helical-geared motor Dimensions on Page 3-99
				8 kHz		16 kHz					
				M _{2 max} [Nm]	Type EVS	M _{2 max} [Nm]	Type EVS				
283	432	1.4	8.125	533	9327	505	9328	539	209	7.80E-03	GST07 - 2A □□□ 100C22 MDFKA□□ 100-22 120
306	399	1.3	8.800	577	9327	546	9328	527	206	7.67E-03	GST07 - 2A □□□ 100C22 MDFKA□□ 100-22 120
344	356	1.2	9.856	646	9327	612	9328	549	189	7.59E-03	GST07 - 2A □□□ 100C22 MDFKA□□ 100-22 120
391	313	1.2	11.200	735	9327	696	9328	598	163	7.58E-03	GST07 - 2A □□□ 100C22 MDFKA□□ 100-22 120
439	279	1.0	12.571	825	9327	781	9328	601	161	7.49E-03	GST07 - 2A □□□ 100C22 MDFKA□□ 100-22 120
538	228	1.0	15.400	965	9327	956	9328	644	150	7.43E-03	GST07 - 2A □□□ 100C22 MDFKA□□ 100-22 120
180	561	1.9	3.048	308	9326	405	9328	351	554	1.88E-02	GST07 - 2A □□□ 112C22 MDFKA□□ 112-22 60
198	510	1.8	3.350	338	9326	445	9328	367	488	1.88E-02	GST07 - 2A □□□ 112C22 MDFKA□□ 112-22 60
250	405	1.5	4.225	427	9326	561	9328	398	405	1.88E-02	GST07 - 2A □□□ 112C22 MDFKA□□ 112-22 60
275	368	1.4	4.643	469	9326	617	9328	414	366	1.87E-02	GST07 - 2A □□□ 112C22 MDFKA□□ 112-22 60
309	329	1.3	5.200	525	9326	641	9328	427	329	1.86E-02	GST07 - 2A □□□ 112C22 MDFKA□□ 112-22 60
339	299	1.3	5.714	577	9326	673	9328	448	299	1.85E-02	GST07 - 2A □□□ 112C22 MDFKA□□ 112-22 60
381	267	1.2	6.400	646	9326	695	9328	463	267	1.84E-02	GST07 - 2A □□□ 112C22 MDFKA□□ 112-22 60
426	239	1.1	7.150	722	9326	733	9328	489	207	1.86E-02	GST07 - 2A □□□ 112C22 MDFKA□□ 112-22 60
484	210	1.1	8.125	808	9326	808	9328	539	180	1.86E-02	GST07 - 2A □□□ 112C22 MDFKA□□ 112-22 60
162	1155	1.6	3.048	319	9328	395	9330	351	511	1.88E-02	GST07 - 2A □□□ 112C22 MDFKA□□ 112-22 120
178	1051	1.5	3.350	350	9328	434	9330	367	451	1.88E-02	GST07 - 2A □□□ 112C22 MDFKA□□ 112-22 120
225	833	1.3	4.225	442	9328	548	9330	398	386	1.88E-02	GST07 - 2A □□□ 112C22 MDFKA□□ 112-22 120
247	758	1.3	4.643	485	9328	602	9330	414	341	1.87E-02	GST07 - 2A □□□ 112C22 MDFKA□□ 112-22 120
277	677	1.2	5.200	543	9328	641	9330	427	330	1.86E-02	GST07 - 2A □□□ 112C22 MDFKA□□ 112-22 120
305	616	1.1	5.714	597	9328	673	9330	448	293	1.85E-02	GST07 - 2A □□□ 112C22 MDFKA□□ 112-22 120
341	550	1.0	6.400	669	9328	695	9330	463	269	1.84E-02	GST07 - 2A □□□ 112C22 MDFKA□□ 112-22 120
232	87	2.5	39.200	487	9324	712	9325	692	87	9.27E-04	GST07 - 3A □□□ 071C22 MDFKA□□ 071-22 120
261	78	2.6	44.000	547	9324	799	9325	706	78	8.83E-04	GST07 - 3A □□□ 071C22 MDFKA□□ 071-22 120
303	67	2.2	51.022	634	9324	926	9325	700	67	9.14E-04	GST07 - 3A □□□ 071C22 MDFKA□□ 071-22 120
321	63	2.1	53.900	670	9324	979	9325	706	63	8.78E-04	GST07 - 3A □□□ 071C22 MDFKA□□ 071-22 120
389	52	1.7	65.079	809	9324	1061	9325	707	52	8.61E-04	GST07 - 3A □□□ 071C22 MDFKA□□ 071-22 120
420	49	1.6	70.156	872	9324	1059	9325	706	49	8.73E-04	GST07 - 3A □□□ 071C22 MDFKA□□ 071-22 120
478	43	1.4	79.762	991	9324	1065	9325	710	43	8.84E-04	GST07 - 3A □□□ 071C22 MDFKA□□ 071-22 120
516	40	1.3	85.983	1059	9324	1059	9325	706	40	8.70E-04	GST07 - 3A □□□ 071C22 MDFKA□□ 071-22 120
587	35	1.2	97.708	1065	9324	1065	9325	710	35	8.70E-04	GST07 - 3A □□□ 071C22 MDFKA□□ 071-22 120
674	30	1.0	111.915	1059	9324	1059	9325	706	30	8.54E-04	GST07 - 3A □□□ 071C22 MDFKA□□ 071-22 120
447	42	1.5	39.200	1037	9324	805	9324	692	42	2.02E-03	GST07 - 3A □□□ 080C22 MDFKA□□ 080-22 60
502	37	1.4	44.000	1059	9324	904	9324	706	37	1.97E-03	GST07 - 3A □□□ 080C22 MDFKA□□ 080-22 60

Observe the notes for thermal dimensioning.

Selection tables - Helical gearboxes

Forced ventilated asynchronous geared servo motors

M ₂ [Nm]	n ₂ trans [rpm]	c	i	M ₂ max short-time on geared motor at				M ₂ Gr gearbox c=1 n ₁ ≤ 1400 rpm [Nm]	n ₂ therm [rpm]	J _{GM} referred to motor shaft [kgm ²]	Servo helical- geared motor Dimensions on Page 3-99
				8 kHz		16 kHz					
				M ₂ max [Nm]	Type EVS	M ₂ max [Nm]	Type EVS				
584	32	1.2	51.022	1050	9324	1048	9324	700	32	2.00E-03	GST07 - 3A □□□ 080C22 MDFKA□□ 080-22 60
617	30	1.1	53.900	1059	9324	1059	9324	706	30	1.97E-03	GST07 - 3A □□□ 080C22 MDFKA□□ 080-22 60
403	88	1.5	39.200	1037	9325	794	9325	692	88	2.02E-03	GST07 - 3A □□□ 080C22 MDFKA□□ 080-22 120
452	79	1.5	44.000	1059	9325	892	9325	706	79	1.97E-03	GST07 - 3A □□□ 080C22 MDFKA□□ 080-22 120
525	68	1.3	51.022	1050	9325	1034	9325	700	68	2.00E-03	GST07 - 3A □□□ 080C22 MDFKA□□ 080-22 120
555	64	1.2	53.900	1059	9325	1059	9325	706	64	1.97E-03	GST07 - 3A □□□ 080C22 MDFKA□□ 080-22 120
53	350	4.3	4.667	136	9324	99	9324	247	350	2.38E-03	GST09 - 1A □□□ 080C22 MDFKA□□ 080-22 60
65	289	3.7	5.667	165	9324	120	9324	256	289	2.27E-03	GST09 - 1A □□□ 080C22 MDFKA□□ 080-22 60
85	223	3.0	7.333	214	9324	155	9324	265	223	2.15E-03	GST09 - 1A □□□ 080C22 MDFKA□□ 080-22 60
104	184	2.5	8.900	260	9324	189	9324	269	184	2.09E-03	GST09 - 1A □□□ 080C22 MDFKA□□ 080-22 60
132	145	2.0	11.250	328	9324	238	9324	273	145	2.03E-03	GST09 - 1A □□□ 080C22 MDFKA□□ 080-22 60
28	1230	5.6	2.810	81	9325	59	9325	221	1035	2.88E-03	GST09 - 1A □□□ 080C22 MDFKA□□ 080-22 120
48	740	3.8	4.667	135	9325	97	9325	247	740	2.38E-03	GST09 - 1A □□□ 080C22 MDFKA□□ 080-22 120
59	610	3.2	5.667	164	9325	118	9325	256	610	2.27E-03	GST09 - 1A □□□ 080C22 MDFKA□□ 080-22 120
77	471	2.6	7.333	212	9325	153	9325	265	471	2.15E-03	GST09 - 1A □□□ 080C22 MDFKA□□ 080-22 120
94	388	2.2	8.900	257	9325	186	9325	269	388	2.09E-03	GST09 - 1A □□□ 080C22 MDFKA□□ 080-22 120
119	307	1.7	11.250	325	9325	235	9325	273	307	2.03E-03	GST09 - 1A □□□ 080C22 MDFKA□□ 080-22 120
41	820	5.3	2.048	115	9325	85	9325	239	820	5.16E-03	GST09 - 1A □□□ 090C22 MDFKA□□ 090-22 60
48	720	4.8	2.333	132	9325	97	9325	245	720	4.82E-03	GST09 - 1A □□□ 090C22 MDFKA□□ 090-22 60
58	598	4.2	2.810	158	9325	116	9325	259	598	4.56E-03	GST09 - 1A □□□ 090C22 MDFKA□□ 090-22 60
71	488	3.6	3.444	194	9325	143	9325	272	488	4.33E-03	GST09 - 1A □□□ 090C22 MDFKA□□ 090-22 60
97	360	2.8	4.667	263	9325	193	9325	289	360	4.06E-03	GST09 - 1A □□□ 090C22 MDFKA□□ 090-22 60
118	296	2.4	5.667	319	9325	234	9325	299	296	3.95E-03	GST09 - 1A □□□ 090C22 MDFKA□□ 090-22 60
154	229	1.9	7.333	413	9325	303	9325	310	229	3.83E-03	GST09 - 1A □□□ 090C22 MDFKA□□ 090-22 60
187	189	1.6	8.900	472	9325	368	9325	315	189	3.77E-03	GST09 - 1A □□□ 090C22 MDFKA□□ 090-22 60
37	1700	4.7	2.048	102	9326	90	9327	239	1109	5.16E-03	GST09 - 1A □□□ 090C22 MDFKA□□ 090-22 120
42	1491	4.2	2.333	117	9326	103	9327	245	1042	4.82E-03	GST09 - 1A □□□ 090C22 MDFKA□□ 090-22 120
51	1239	3.7	2.810	140	9326	123	9327	259	952	4.56E-03	GST09 - 1A □□□ 090C22 MDFKA□□ 090-22 120
63	1010	3.2	3.444	172	9326	151	9327	272	818	4.33E-03	GST09 - 1A □□□ 090C22 MDFKA□□ 090-22 120
86	746	2.5	4.667	233	9326	205	9327	289	667	4.06E-03	GST09 - 1A □□□ 090C22 MDFKA□□ 090-22 120
105	614	2.1	5.667	283	9326	249	9327	299	549	3.95E-03	GST09 - 1A □□□ 090C22 MDFKA□□ 090-22 120
136	475	1.7	7.333	366	9326	322	9327	310	424	3.83E-03	GST09 - 1A □□□ 090C22 MDFKA□□ 090-22 120
166	391	1.4	8.900	445	9326	391	9327	315	350	3.77E-03	GST09 - 1A □□□ 090C22 MDFKA□□ 090-22 120
54	1090	4.8	1.560	77	9325	93	9326	277	1090	9.42E-03	GST09 - 1A □□□ 100C22 MDFKA□□ 100-22 60

Observe the notes for thermal dimensioning.

Selection tables - Helical gearboxes

Forced ventilated asynchronous geared servo motors



M ₂ [Nm]	n _{2 trans} [rpm]	c	i	M _{2 max} short-time on geared motor at				M _{2 Gr} gearbox c=1 n ₁ ≤ 1400 rpm [Nm]	n _{2 therm} [rpm]	J _{GM} referred to motor shaft [kgm ²]	Servo helical- geared motor Dimensions on Page 3-99
				8 kHz		16 kHz					
				M _{2 max} [Nm]	Type EVS	M _{2 max} [Nm]	Type EVS				
71	830	4.4	2.048	101	9325	122	9326	338	830	8.76E-03	GST09 - 1A □□□ 100C22 MDFKA□□ 100-22 60
81	729	4.3	2.333	115	9325	139	9326	370	729	8.42E-03	GST09 - 1A □□□ 100C22 MDFKA□□ 100-22 60
97	605	4.0	2.810	139	9325	167	9326	418	605	8.16E-03	GST09 - 1A □□□ 100C22 MDFKA□□ 100-22 60
120	494	3.5	3.444	170	9325	205	9326	443	494	7.93E-03	GST09 - 1A □□□ 100C22 MDFKA□□ 100-22 60
165	364	2.2	4.667	230	9325	278	9326	379	364	7.66E-03	GST09 - 1A □□□ 100C22 MDFKA□□ 100-22 60
200	300	2.2	5.667	280	9325	338	9326	465	300	7.55E-03	GST09 - 1A □□□ 100C22 MDFKA□□ 100-22 60
54	2250	3.8	1.560	104	9327	98	9328	277	1219	9.42E-03	GST09 - 1A □□□ 100C22 MDFKA□□ 100-22 60
71	1714	3.5	2.048	136	9327	129	9328	338	1041	8.76E-03	GST09 - 1A □□□ 100C22 MDFKA□□ 100-22 120
81	1504	3.4	2.333	155	9327	147	9328	370	991	8.42E-03	GST09 - 1A □□□ 100C22 MDFKA□□ 100-22 120
97	1249	3.2	2.810	187	9327	177	9328	418	872	8.16E-03	GST09 - 1A □□□ 100C22 MDFKA□□ 100-22 120
120	1019	2.7	3.444	229	9327	217	9328	443	711	7.93E-03	GST09 - 1A □□□ 100C22 MDFKA□□ 100-22 120
164	752	1.7	4.667	311	9327	294	9328	379	525	7.66E-03	GST09 - 1A □□□ 100C22 MDFKA□□ 100-22 120
199	619	1.7	5.667	377	9327	357	9328	465	432	7.55E-03	GST09 - 1A □□□ 100C22 MDFKA□□ 100-22 120
93	1096	2.8	1.560	160	9326	210	9328	277	1096	2.02E-02	GST09 - 1A □□□ 112C22 MDFKA□□ 112-22 60
122	835	2.6	2.048	210	9326	276	9328	338	835	1.96E-02	GST09 - 1A □□□ 112C22 MDFKA□□ 112-22 60
139	733	2.5	2.333	239	9326	315	9328	370	733	1.92E-02	GST09 - 1A □□□ 112C22 MDFKA□□ 112-22 60
168	609	2.4	2.810	288	9326	379	9328	418	609	1.90E-02	GST09 - 1A □□□ 112C22 MDFKA□□ 112-22 60
206	496	2.0	3.444	353	9326	465	9328	443	496	1.87E-02	GST09 - 1A □□□ 112C22 MDFKA□□ 112-22 60
83	2256	2.5	1.560	166	9328	205	9330	277	1101	2.02E-02	GST09 - 1A □□□ 112C22 MDFKA□□ 112-22 120
109	1719	2.3	2.048	217	9328	270	9330	338	943	1.96E-02	GST09 - 1A □□□ 112C22 MDFKA□□ 112-22 120
125	1509	2.2	2.333	248	9328	307	9330	370	863	1.92E-02	GST09 - 1A □□□ 112C22 MDFKA□□ 112-22 120
151	1253	2.1	2.810	298	9328	370	9330	418	717	1.90E-02	GST09 - 1A □□□ 112C22 MDFKA□□ 112-22 120
185	1022	1.8	3.444	365	9328	453	9330	443	585	1.87E-02	GST09 - 1A □□□ 112C22 MDFKA□□ 112-22 120
231	80	4.5	20.533	590	9324	428	9324	1068	80	2.37E-03	GST09 - 2A □□□ 080C22 MDFKA□□ 080-22 60
262	70	4.5	23.333	670	9324	487	9324	1214	70	2.36E-03	GST09 - 2A □□□ 080C22 MDFKA□□ 080-22 60
282	66	3.8	24.933	716	9324	520	9324	1107	66	2.26E-03	GST09 - 2A □□□ 080C22 MDFKA□□ 080-22 60
320	58	3.8	28.333	814	9324	591	9324	1258	58	2.25E-03	GST09 - 2A □□□ 080C22 MDFKA□□ 080-22 60
368	51	3.1	32.267	927	9324	673	9324	1147	51	2.15E-03	GST09 - 2A □□□ 080C22 MDFKA□□ 080-22 60
418	45	3.1	36.667	1053	9324	765	9324	1304	45	2.14E-03	GST09 - 2A □□□ 080C22 MDFKA□□ 080-22 60
449	42	2.6	39.160	1125	9324	817	9324	1166	42	2.08E-03	GST09 - 2A □□□ 080C22 MDFKA□□ 080-22 60
510	37	2.6	44.500	1278	9324	928	9324	1324	37	2.08E-03	GST09 - 2A □□□ 080C22 MDFKA□□ 080-22 60
570	33	2.1	49.500	1422	9324	1033	9324	1184	33	2.03E-03	GST09 - 2A □□□ 080C22 MDFKA□□ 080-22 60
648	29	2.1	56.250	1615	9324	1173	9324	1345	29	2.03E-03	GST09 - 2A □□□ 080C22 MDFKA□□ 080-22 60
73	473	5.6	7.305	208	9325	150	9325	566	398	3.05E-03	GST09 - 2A □□□ 080C22 MDFKA□□ 080-22 120

Observe the notes for thermal dimensioning.

Selection tables - Helical gearboxes

Forced ventilated asynchronous geared servo motors

M ₂ [Nm]	n ₂ trans [rpm]	c	i	M ₂ max short-time on geared motor at				M ₂ Gr gearbox c=1 n ₁ ≤ 1400 rpm [Nm]	n ₂ therm [rpm]	J _{GM} referred to motor shaft [kgm ²]	Servo helical- geared motor Dimensions on Page 3-99
				8 kHz		16 kHz					
				M ₂ max [Nm]	Type EVS	M ₂ max [Nm]	Type EVS				
80	430	5.6	8.027	228	9325	165	9325	622	362	3.02E-03	GST09 - 2A □□□ 080C22 MDFKA□□ 080-22 120
123	279	5.6	12.362	351	9325	254	9325	958	235	2.90E-03	GST09 - 2A □□□ 080C22 MDFKA□□ 080-22 120
140	246	5.6	14.048	399	9325	289	9325	1088	207	2.87E-03	GST09 - 2A □□□ 080C22 MDFKA□□ 080-22 120
208	168	4.3	20.533	584	9325	422	9325	1068	168	2.37E-03	GST09 - 2A □□□ 080C22 MDFKA□□ 080-22 120
236	148	4.3	23.333	663	9325	480	9325	1214	148	2.36E-03	GST09 - 2A □□□ 080C22 MDFKA□□ 080-22 120
254	139	3.6	24.933	709	9325	513	9325	1107	139	2.26E-03	GST09 - 2A □□□ 080C22 MDFKA□□ 080-22 120
289	122	3.6	28.333	805	9325	583	9325	1258	122	2.25E-03	GST09 - 2A □□□ 080C22 MDFKA□□ 080-22 120
331	107	2.9	32.267	917	9325	664	9325	1147	107	2.15E-03	GST09 - 2A □□□ 080C22 MDFKA□□ 080-22 120
377	94	2.9	36.667	1042	9325	754	9325	1304	94	2.14E-03	GST09 - 2A □□□ 080C22 MDFKA□□ 080-22 120
404	88	2.4	39.160	1113	9325	806	9325	1166	88	2.08E-03	GST09 - 2A □□□ 080C22 MDFKA□□ 080-22 120
458	78	2.7	44.500	1265	9325	915	9325	1324	78	2.08E-03	GST09 - 2A □□□ 080C22 MDFKA□□ 080-22 120
512	70	2.2	49.500	1407	9325	1018	9325	1184	70	2.03E-03	GST09 - 2A □□□ 080C22 MDFKA□□ 080-22 120
582	61	2.2	56.250	1599	9325	1157	9325	1345	61	2.03E-03	GST09 - 2A □□□ 080C22 MDFKA□□ 080-22 120
106	316	5.3	5.324	296	9325	217	9325	613	316	5.41E-03	GST09 - 2A □□□ 090C22 MDFKA□□ 090-22 60
117	287	5.3	5.850	325	9325	238	9325	674	287	5.35E-03	GST09 - 2A □□□ 090C22 MDFKA□□ 090-22 60
134	252	4.8	6.667	370	9325	272	9325	690	252	5.02E-03	GST09 - 2A □□□ 090C22 MDFKA□□ 090-22 60
147	230	4.2	7.305	405	9325	298	9325	663	230	4.73E-03	GST09 - 2A □□□ 090C22 MDFKA□□ 090-22 60
162	209	4.2	8.027	446	9325	327	9325	728	209	4.70E-03	GST09 - 2A □□□ 090C22 MDFKA□□ 090-22 60
180	186	5.3	9.010	500	9325	367	9325	1037	186	5.12E-03	GST09 - 2A □□□ 090C22 MDFKA□□ 090-22 60
206	164	4.8	10.267	570	9325	418	9325	1063	164	4.84E-03	GST09 - 2A □□□ 090C22 MDFKA□□ 090-22 60
234	144	4.8	11.667	648	9325	475	9325	1206	144	4.81E-03	GST09 - 2A □□□ 090C22 MDFKA□□ 090-22 60
249	136	4.2	12.362	686	9325	504	9325	1121	136	4.58E-03	GST09 - 2A □□□ 090C22 MDFKA□□ 090-22 60
283	120	4.2	14.048	780	9325	572	9325	1274	120	4.55E-03	GST09 - 2A □□□ 090C22 MDFKA□□ 090-22 60
307	111	3.7	15.156	841	9325	618	9325	1179	111	4.37E-03	GST09 - 2A □□□ 090C22 MDFKA□□ 090-22 60
349	98	3.7	17.222	956	9325	702	9325	1340	98	4.35E-03	GST09 - 2A □□□ 090C22 MDFKA□□ 090-22 60
420	82	2.9	20.533	1140	9325	837	9325	1251	82	4.05E-03	GST09 - 2A □□□ 090C22 MDFKA□□ 090-22 60
477	72	2.9	23.333	1295	9325	951	9325	1421	72	4.04E-03	GST09 - 2A □□□ 090C22 MDFKA□□ 090-22 60
512	67	2.5	24.933	1384	9325	1016	9325	1296	67	3.94E-03	GST09 - 2A □□□ 090C22 MDFKA□□ 090-22 60
582	59	2.5	28.333	1572	9325	1155	9325	1472	59	3.93E-03	GST09 - 2A □□□ 090C22 MDFKA□□ 090-22 60
666	52	2.0	32.267	1791	9325	1315	9325	1343	52	3.83E-03	GST09 - 2A □□□ 090C22 MDFKA□□ 090-22 60
757	46	2.0	36.667	2035	9325	1494	9325	1526	46	3.82E-03	GST09 - 2A □□□ 090C22 MDFKA□□ 090-22 60
811	43	1.7	39.160	2046	9325	1596	9325	1364	43	3.76E-03	GST09 - 2A □□□ 090C22 MDFKA□□ 090-22 60
922	38	1.7	44.500	2319	9325	1813	9325	1546	38	3.76E-03	GST09 - 2A □□□ 090C22 MDFKA□□ 090-22 60
94	654	4.7	5.324	262	9326	230	9327	613	426	5.41E-03	GST09 - 2A □□□ 090C22 MDFKA□□ 090-22 120

Observe the notes for thermal dimensioning.

Selection tables - Helical gearboxes

Forced ventilated asynchronous geared servo motors



M ₂ [Nm]	n _{2 trans} [rpm]	c	i	M _{2 max} short-time on geared motor at				M _{2 Gr} gearbox c=1 n ₁ ≤ 1400 rpm [Nm]	n _{2 therm} [rpm]	J _{GM} referred to motor shaft [kgm ²]	Servo helical-geared motor Dimensions on Page 3-99
				8 kHz		16 kHz					
				M _{2 max} [Nm]	Type EVS	M _{2 max} [Nm]	Type EVS				
104	595	4.7	5.850	288	9326	253	9327	674	388	5.35E-03	GST09 - 2A □□□ 090C22 MDFKA□□ 090-22 120
119	522	4.2	6.667	328	9326	289	9327	690	365	5.02E-03	GST09 - 2A □□□ 090C22 MDFKA□□ 090-22 120
131	476	3.7	7.305	359	9326	316	9327	663	366	4.73E-03	GST09 - 2A □□□ 090C22 MDFKA□□ 090-22 120
144	434	3.7	8.027	395	9326	347	9327	728	333	4.70E-03	GST09 - 2A □□□ 090C22 MDFKA□□ 090-22 120
160	386	4.7	9.010	443	9326	390	9327	1037	252	5.12E-03	GST09 - 2A □□□ 090C22 MDFKA□□ 090-22 120
183	339	4.2	10.267	505	9326	444	9327	1063	237	4.84E-03	GST09 - 2A □□□ 090C22 MDFKA□□ 090-22 120
208	298	4.2	11.667	574	9326	505	9327	1206	208	4.81E-03	GST09 - 2A □□□ 090C22 MDFKA□□ 090-22 120
222	282	3.7	12.362	608	9326	535	9327	1121	216	4.58E-03	GST09 - 2A □□□ 090C22 MDFKA□□ 090-22 120
252	248	3.7	14.048	691	9326	608	9327	1274	190	4.55E-03	GST09 - 2A □□□ 090C22 MDFKA□□ 090-22 120
272	230	3.6	15.156	746	9326	656	9327	1179	191	4.37E-03	GST09 - 2A □□□ 090C22 MDFKA□□ 090-22 120
309	202	3.6	17.222	847	9326	745	9327	1340	168	4.35E-03	GST09 - 2A □□□ 090C22 MDFKA□□ 090-22 120
371	169	2.8	20.533	1010	9326	889	9327	1251	152	4.05E-03	GST09 - 2A □□□ 090C22 MDFKA□□ 090-22 120
422	149	2.8	23.333	1148	9326	1010	9327	1421	133	4.04E-03	GST09 - 2A □□□ 090C22 MDFKA□□ 090-22 120
453	140	2.4	24.933	1227	9326	1079	9327	1296	125	3.94E-03	GST09 - 2A □□□ 090C22 MDFKA□□ 090-22 120
515	123	2.4	28.333	1394	9326	1226	9327	1472	110	3.93E-03	GST09 - 2A □□□ 090C22 MDFKA□□ 090-22 120
589	108	1.9	32.267	1587	9326	1396	9327	1343	96	3.83E-03	GST09 - 2A □□□ 090C22 MDFKA□□ 090-22 120
669	95	1.9	36.667	1804	9326	1587	9327	1526	85	3.82E-03	GST09 - 2A □□□ 090C22 MDFKA□□ 090-22 120
717	89	1.6	39.160	1926	9326	1695	9327	1364	79	3.76E-03	GST09 - 2A □□□ 090C22 MDFKA□□ 090-22 120
814	78	1.8	44.500	2189	9326	1926	9327	1546	70	3.76E-03	GST09 - 2A □□□ 090C22 MDFKA□□ 090-22 120
136	419	5.9	4.056	197	9325	238	9326	878	419	9.90E-03	GST09 - 2A □□□ 100C22 MDFKA□□ 100-22 60
149	381	5.7	4.457	217	9325	262	9326	931	381	9.79E-03	GST09 - 2A □□□ 100C22 MDFKA□□ 100-22 60
180	319	5.1	5.324	259	9325	313	9326	993	319	9.01E-03	GST09 - 2A □□□ 100C22 MDFKA□□ 100-22 60
198	291	4.7	5.850	284	9325	343	9326	1020	291	8.95E-03	GST09 - 2A □□□ 100C22 MDFKA□□ 100-22 60
227	255	4.4	6.667	324	9325	391	9326	1065	255	8.62E-03	GST09 - 2A □□□ 100C22 MDFKA□□ 100-22 60
249	233	4.1	7.305	355	9325	429	9326	1103	233	8.33E-03	GST09 - 2A □□□ 100C22 MDFKA□□ 100-22 60
274	212	3.8	8.027	390	9325	471	9326	1133	212	8.30E-03	GST09 - 2A □□□ 100C22 MDFKA□□ 100-22 60
309	189	3.4	9.010	438	9325	529	9326	1128	189	8.72E-03	GST09 - 2A □□□ 100C22 MDFKA□□ 100-22 60
354	166	3.1	10.267	499	9325	603	9326	1178	166	8.44E-03	GST09 - 2A □□□ 100C22 MDFKA□□ 100-22 60
403	146	2.8	11.667	567	9325	685	9326	1206	146	8.41E-03	GST09 - 2A □□□ 100C22 MDFKA□□ 100-22 60
427	138	2.8	12.362	601	9325	726	9326	1253	138	8.18E-03	GST09 - 2A □□□ 100C22 MDFKA□□ 100-22 60
487	121	2.5	14.048	683	9325	825	9326	1283	121	8.15E-03	GST09 - 2A □□□ 100C22 MDFKA□□ 100-22 60
525	112	2.5	15.156	737	9325	890	9326	1340	112	7.97E-03	GST09 - 2A □□□ 100C22 MDFKA□□ 100-22 60
599	99	2.3	17.222	837	9325	1011	9326	1373	99	7.95E-03	GST09 - 2A □□□ 100C22 MDFKA□□ 100-22 60
715	83	2.1	20.533	998	9325	1205	9326	1484	83	7.65E-03	GST09 - 2A □□□ 100C22 MDFKA□□ 100-22 60

Observe the notes for thermal dimensioning.

Selection tables - Helical gearboxes

Forced ventilated asynchronous geared servo motors

M ₂ [Nm]	n _{2 trans} [rpm]	c	i	M _{2 max} short-time on geared motor at				M _{2 Gr} gearbox c=1 n ₁ ≤ 1400 rpm [Nm]	n _{2 therm} [rpm]	J _{GM} referred to motor shaft [kgm ²]	Servo helical- geared motor Dimensions on Page 3-99
				8 kHz		16 kHz					
				M _{2 max} [Nm]	Type EVS	M _{2 max} [Nm]	Type EVS				
815	73	1.8	23.333	1134	9325	1370	9326	1508	73	7.64E-03	GST09 - 2A □□□ 100C22 MDFKA□□ 100-22 60
871	68	1.8	24.933	1212	9325	1464	9326	1582	68	7.54E-03	GST09 - 2A □□□ 100C22 MDFKA□□ 100-22 60
993	60	1.5	28.333	1377	9325	1663	9326	1519	60	7.53E-03	GST09 - 2A □□□ 100C22 MDFKA□□ 100-22 60
136	865	4.7	4.056	266	9327	252	9328	878	492	9.90E-03	GST09 - 2A □□□ 100C22 MDFKA□□ 100-22 120
150	788	4.5	4.457	292	9327	277	9328	931	444	9.79E-03	GST09 - 2A □□□ 100C22 MDFKA□□ 100-22 120
180	659	4.0	5.324	349	9327	331	9328	993	412	9.01E-03	GST09 - 2A □□□ 100C22 MDFKA□□ 100-22 120
199	600	3.8	5.850	384	9327	363	9328	1020	370	8.95E-03	GST09 - 2A □□□ 100C22 MDFKA□□ 100-22 120
227	527	3.4	6.667	437	9327	414	9328	1065	349	8.62E-03	GST09 - 2A □□□ 100C22 MDFKA□□ 100-22 120
249	481	3.3	7.305	479	9327	454	9328	1103	335	8.33E-03	GST09 - 2A □□□ 100C22 MDFKA□□ 100-22 120
274	437	3.0	8.027	527	9327	498	9328	1133	305	8.30E-03	GST09 - 2A □□□ 100C22 MDFKA□□ 100-22 120
309	390	2.7	9.010	591	9327	559	9328	1128	223	8.72E-03	GST09 - 2A □□□ 100C22 MDFKA□□ 100-22 120
353	342	2.5	10.267	673	9327	638	9328	1178	210	8.44E-03	GST09 - 2A □□□ 100C22 MDFKA□□ 100-22 120
402	301	2.2	11.667	765	9327	724	9328	1206	180	8.41E-03	GST09 - 2A □□□ 100C22 MDFKA□□ 100-22 120
427	284	2.2	12.362	811	9327	768	9328	1253	192	8.18E-03	GST09 - 2A □□□ 100C22 MDFKA□□ 100-22 120
486	250	2.0	14.048	921	9327	872	9328	1283	165	8.15E-03	GST09 - 2A □□□ 100C22 MDFKA□□ 100-22 120
523	232	2.2	15.156	994	9327	941	9328	1340	162	7.97E-03	GST09 - 2A □□□ 100C22 MDFKA□□ 100-22 120
596	204	2.0	17.222	1130	9327	1069	9328	1373	142	7.95E-03	GST09 - 2A □□□ 100C22 MDFKA□□ 100-22 120
711	171	1.8	20.533	1347	9327	1275	9328	1484	119	7.65E-03	GST09 - 2A □□□ 100C22 MDFKA□□ 100-22 120
810	150	1.6	23.333	1530	9327	1449	9328	1508	105	7.64E-03	GST09 - 2A □□□ 100C22 MDFKA□□ 100-22 120
866	141	1.6	24.933	1635	9327	1548	9328	1582	98	7.54E-03	GST09 - 2A □□□ 100C22 MDFKA□□ 100-22 120
986	124	1.3	28.333	1858	9327	1759	9328	1519	86	7.53E-03	GST09 - 2A □□□ 100C22 MDFKA□□ 100-22 120
235	422	3.5	4.056	410	9326	539	9328	878	422	2.07E-02	GST09 - 2A □□□ 112C22 MDFKA□□ 112-22 60
259	384	3.4	4.457	450	9326	592	9328	931	384	2.06E-02	GST09 - 2A □□□ 112C22 MDFKA□□ 112-22 60
311	321	3.0	5.324	538	9326	707	9328	993	321	1.98E-02	GST09 - 2A □□□ 112C22 MDFKA□□ 112-22 60
342	292	2.8	5.850	591	9326	777	9328	1020	292	1.98E-02	GST09 - 2A □□□ 112C22 MDFKA□□ 112-22 60
391	257	2.6	6.667	673	9326	886	9328	1065	257	1.94E-02	GST09 - 2A □□□ 112C22 MDFKA□□ 112-22 60
429	234	2.4	7.305	738	9326	970	9328	1103	234	1.91E-02	GST09 - 2A □□□ 112C22 MDFKA□□ 112-22 60
472	213	2.3	8.027	811	9326	1066	9328	1133	213	1.91E-02	GST09 - 2A □□□ 112C22 MDFKA□□ 112-22 60
531	190	2.0	9.010	910	9326	1197	9328	1128	190	1.95E-02	GST09 - 2A □□□ 112C22 MDFKA□□ 112-22 60
606	167	1.8	10.267	1037	9326	1364	9328	1178	167	1.92E-02	GST09 - 2A □□□ 112C22 MDFKA□□ 112-22 60
690	147	1.7	11.667	1178	9326	1550	9328	1206	147	1.92E-02	GST09 - 2A □□□ 112C22 MDFKA□□ 112-22 60
732	138	1.6	12.362	1249	9326	1642	9328	1253	138	1.90E-02	GST09 - 2A □□□ 112C22 MDFKA□□ 112-22 60
833	122	1.5	14.048	1419	9326	1866	9328	1283	122	1.90E-02	GST09 - 2A □□□ 112C22 MDFKA□□ 112-22 60
898	113	1.5	15.156	1531	9326	2010	9328	1340	113	1.88E-02	GST09 - 2A □□□ 112C22 MDFKA□□ 112-22 60

Observe the notes for thermal dimensioning.

Selection tables - Helical gearboxes

Forced ventilated asynchronous geared servo motors



M ₂ [Nm]	n _{2 trans} [rpm]	c	i	M _{2 max} short-time on geared motor at				M _{2 Gr} gearbox c=1 n ₁ ≤ 1400 rpm [Nm]	n _{2 therm} [rpm]	J _{GM} referred to motor shaft [kgm ²]	Servo helical-geared motor Dimensions on Page 3-99
				8 kHz		16 kHz					
				M _{2 max} [Nm]	Type EVS	M _{2 max} [Nm]	Type EVS				
1022	99	1.3	17.222	1740	9326	2059	9328	1373	99	1.87E-02	GST09 - 2A □□□ 112C22 MDFKA□□ 112-22 60
212	868	3.1	4.056	424	9328	526	9330	878	446	2.07E-02	GST09 - 2A □□□ 112C22 MDFKA□□ 112-22 120
233	790	2.9	4.457	466	9328	578	9330	931	403	2.06E-02	GST09 - 2A □□□ 112C22 MDFKA□□ 112-22 120
279	661	2.6	5.324	556	9328	690	9330	993	375	1.98E-02	GST09 - 2A □□□ 112C22 MDFKA□□ 112-22 120
307	602	2.5	5.850	611	9328	758	9330	1020	336	1.98E-02	GST09 - 2A □□□ 112C22 MDFKA□□ 112-22 120
351	528	2.3	6.667	697	9328	864	9330	1065	302	1.94E-02	GST09 - 2A □□□ 112C22 MDFKA□□ 112-22 120
385	482	2.1	7.305	763	9328	947	9330	1103	276	1.91E-02	GST09 - 2A □□□ 112C22 MDFKA□□ 112-22 120
424	439	2.0	8.027	839	9328	1041	9330	1133	251	1.91E-02	GST09 - 2A □□□ 112C22 MDFKA□□ 112-22 120
477	391	1.8	9.010	941	9328	1168	9330	1128	194	1.95E-02	GST09 - 2A □□□ 112C22 MDFKA□□ 112-22 120
544	343	1.6	10.267	1073	9328	1331	9330	1178	177	1.92E-02	GST09 - 2A □□□ 112C22 MDFKA□□ 112-22 120
620	302	1.5	11.667	1219	9328	1512	9330	1206	147	1.92E-02	GST09 - 2A □□□ 112C22 MDFKA□□ 112-22 120
657	285	1.4	12.362	1292	9328	1602	9330	1253	155	1.90E-02	GST09 - 2A □□□ 112C22 MDFKA□□ 112-22 120
747	251	1.3	14.048	1468	9328	1821	9330	1283	129	1.90E-02	GST09 - 2A □□□ 112C22 MDFKA□□ 112-22 120
805	232	1.4	15.156	1584	9328	1965	9330	1340	133	1.88E-02	GST09 - 2A □□□ 112C22 MDFKA□□ 112-22 120
916	204	1.3	17.222	1800	9328	2059	9330	1373	117	1.87E-02	GST09 - 2A □□□ 112C22 MDFKA□□ 112-22 120
232	85	4.8	40.136	499	9324	729	9325	1344	85	1.04E-03	GST09 - 3A □□□ 071C22 MDFKA□□ 071-22 120
250	79	4.7	43.267	538	9324	786	9325	1290	79	9.85E-04	GST09 - 3A □□□ 071C22 MDFKA□□ 071-22 120
284	69	4.7	49.167	611	9324	893	9325	1466	69	9.83E-04	GST09 - 3A □□□ 071C22 MDFKA□□ 071-22 120
309	64	4.1	53.044	659	9324	963	9325	1379	64	9.68E-04	GST09 - 3A □□□ 071C22 MDFKA□□ 071-22 120
351	57	4.1	60.278	749	9324	1095	9325	1565	57	9.67E-04	GST09 - 3A □□□ 071C22 MDFKA□□ 071-22 120
422	47	3.3	71.867	893	9324	1305	9325	1477	47	9.47E-04	GST09 - 3A □□□ 071C22 MDFKA□□ 071-22 120
481	42	3.1	81.667	1015	9324	1483	9325	1584	42	9.46E-04	GST09 - 3A □□□ 071C22 MDFKA□□ 071-22 120
553	36	2.7	93.541	1162	9324	1699	9325	1613	36	9.01E-04	GST09 - 3A □□□ 071C22 MDFKA□□ 071-22 120
587	34	2.6	99.167	1232	9324	1801	9325	1596	34	9.37E-04	GST09 - 3A □□□ 071C22 MDFKA□□ 071-22 120
675	30	2.3	113.585	1411	9324	2063	9325	1613	30	8.95E-04	GST09 - 3A □□□ 071C22 MDFKA□□ 071-22 120
769	26	2.0	129.074	1604	9324	2344	9325	1612	26	8.95E-04	GST09 - 3A □□□ 071C22 MDFKA□□ 071-22 120
843	24	1.8	141.289	1755	9324	2420	9325	1613	24	8.76E-04	GST09 - 3A □□□ 071C22 MDFKA□□ 071-22 120
961	21	1.6	160.556	1995	9324	2435	9325	1623	21	8.76E-04	GST09 - 3A □□□ 071C22 MDFKA□□ 071-22 120
1096	19	1.4	182.844	2272	9324	2420	9325	1613	19	8.60E-04	GST09 - 3A □□□ 071C22 MDFKA□□ 071-22 120
1248	16	1.2	207.778	2435	9324	2435	9325	1623	16	8.60E-04	GST09 - 3A □□□ 071C22 MDFKA□□ 071-22 120
1423	14	1.1	236.622	2420	9324	2420	9325	1613	14	8.58E-04	GST09 - 3A □□□ 071C22 MDFKA□□ 071-22 120
1518	14	1.0	252.167	2435	9324	2435	9325	1623	14	8.51E-04	GST09 - 3A □□□ 071C22 MDFKA□□ 071-22 120
451	41	2.9	40.136	1135	9324	825	9324	1344	41	2.13E-03	GST09 - 3A □□□ 080C22 MDFKA□□ 080-22 60
488	38	2.6	43.267	1224	9324	889	9324	1290	38	2.08E-03	GST09 - 3A □□□ 080C22 MDFKA□□ 080-22 60

Observe the notes for thermal dimensioning.

Selection tables - Helical gearboxes

Forced ventilated asynchronous geared servo motors

M ₂ [Nm]	n ₂ trans [rpm]	c	i	M ₂ max short-time on geared motor at				M ₂ Gr gearbox c=1 n ₁ ≤ 1400 rpm [Nm]	n ₂ therm [rpm]	J _{GM} referred to motor shaft [kgm ²]	Servo helical- geared motor Dimensions on Page 3-99
				8 kHz		16 kHz					
				M ₂ max [Nm]	Type EVS	M ₂ max [Nm]	Type EVS				
554	33	2.6	49.167	1391	9324	1010	9324	1466	33	2.07E-03	GST09 - 3A □□□ 080C22 MDFKA□□ 080-22 60
600	31	2.3	53.044	1501	9324	1090	9324	1379	31	2.06E-03	GST09 - 3A □□□ 080C22 MDFKA□□ 080-22 60
682	27	2.3	60.278	1705	9324	1239	9324	1565	27	2.06E-03	GST09 - 3A □□□ 080C22 MDFKA□□ 080-22 60
817	23	1.8	71.867	2033	9324	1477	9324	1477	23	2.04E-03	GST09 - 3A □□□ 080C22 MDFKA□□ 080-22 60
930	20	1.7	81.667	2310	9324	1678	9324	1584	20	2.04E-03	GST09 - 3A □□□ 080C22 MDFKA□□ 080-22 60
1067	17	1.5	93.541	2420	9324	1922	9324	1613	17	1.99E-03	GST09 - 3A □□□ 080C22 MDFKA□□ 080-22 60
1132	16	1.4	99.167	2394	9324	2038	9324	1596	16	2.03E-03	GST09 - 3A □□□ 080C22 MDFKA□□ 080-22 60
1299	14	1.2	113.585	2420	9324	2334	9324	1613	14	1.99E-03	GST09 - 3A □□□ 080C22 MDFKA□□ 080-22 60
1479	13	1.1	129.074	2418	9324	2418	9324	1612	13	1.98E-03	GST09 - 3A □□□ 080C22 MDFKA□□ 080-22 60
406	86	2.8	40.136	1124	9325	813	9325	1344	86	2.13E-03	GST09 - 3A □□□ 080C22 MDFKA□□ 080-22 120
438	80	2.8	43.267	1212	9325	877	9325	1290	80	2.08E-03	GST09 - 3A □□□ 080C22 MDFKA□□ 080-22 120
498	70	2.8	49.167	1377	9325	996	9325	1466	70	2.07E-03	GST09 - 3A □□□ 080C22 MDFKA□□ 080-22 120
539	65	2.4	53.044	1485	9325	1075	9325	1379	65	2.06E-03	GST09 - 3A □□□ 080C22 MDFKA□□ 080-22 120
613	57	2.4	60.278	1688	9325	1221	9325	1565	57	2.06E-03	GST09 - 3A □□□ 080C22 MDFKA□□ 080-22 120
735	48	1.9	71.867	2012	9325	1456	9325	1477	48	2.04E-03	GST09 - 3A □□□ 080C22 MDFKA□□ 080-22 120
836	42	1.8	81.667	2287	9325	1655	9325	1584	42	2.04E-03	GST09 - 3A □□□ 080C22 MDFKA□□ 080-22 120
959	37	1.6	93.541	2420	9325	1895	9325	1613	37	1.99E-03	GST09 - 3A □□□ 080C22 MDFKA□□ 080-22 120
1018	35	1.5	99.167	2394	9325	2009	9325	1596	35	2.03E-03	GST09 - 3A □□□ 080C22 MDFKA□□ 080-22 120
1169	30	1.3	113.585	2420	9325	2301	9325	1613	30	1.99E-03	GST09 - 3A □□□ 080C22 MDFKA□□ 080-22 120
1330	27	1.2	129.074	2418	9325	2418	9325	1612	27	1.98E-03	GST09 - 3A □□□ 080C22 MDFKA□□ 080-22 120
1457	24	1.1	141.289	2420	9325	2420	9325	1613	24	1.97E-03	GST09 - 3A □□□ 080C22 MDFKA□□ 080-22 120
819	42	1.6	40.136	2016	9325	1611	9325	1344	42	3.81E-03	GST09 - 3A □□□ 090C22 MDFKA□□ 090-22 60
885	39	1.5	43.267	1935	9325	1737	9325	1290	39	3.76E-03	GST09 - 3A □□□ 090C22 MDFKA□□ 090-22 60
1005	34	1.5	49.167	2198	9325	1974	9325	1466	34	3.75E-03	GST09 - 3A □□□ 090C22 MDFKA□□ 090-22 60
1087	32	1.3	53.044	2069	9325	2069	9325	1379	32	3.74E-03	GST09 - 3A □□□ 090C22 MDFKA□□ 090-22 60
1235	28	1.3	60.278	2347	9325	2347	9325	1565	28	3.74E-03	GST09 - 3A □□□ 090C22 MDFKA□□ 090-22 60
1477	23	1.0	71.867	2215	9325	2215	9325	1477	23	3.72E-03	GST09 - 3A □□□ 090C22 MDFKA□□ 090-22 60
724	87	1.6	40.136	1945	9326	1711	9327	1344	78	3.81E-03	GST09 - 3A □□□ 090C22 MDFKA□□ 090-22 120
781	80	1.6	43.267	1935	9326	1844	9327	1290	72	3.76E-03	GST09 - 3A □□□ 090C22 MDFKA□□ 090-22 120
888	71	1.6	49.167	2198	9326	2096	9327	1466	63	3.75E-03	GST09 - 3A □□□ 090C22 MDFKA□□ 090-22 120
960	66	1.4	53.044	2069	9326	2069	9327	1379	59	3.74E-03	GST09 - 3A □□□ 090C22 MDFKA□□ 090-22 120
1090	58	1.4	60.278	2347	9326	2347	9327	1565	52	3.74E-03	GST09 - 3A □□□ 090C22 MDFKA□□ 090-22 120
1304	48	1.1	71.867	2215	9326	2215	9327	1477	43	3.72E-03	GST09 - 3A □□□ 090C22 MDFKA□□ 090-22 120
1483	43	1.0	81.667	2375	9326	2375	9327	1584	38	3.72E-03	GST09 - 3A □□□ 090C22 MDFKA□□ 090-22 120

Observe the notes for thermal dimensioning.

Selection tables - Helical gearboxes

Forced ventilated asynchronous geared servo motors



M ₂ [Nm]	n _{2 trans} [rpm]	c	i	M _{2 max} short-time on geared motor at				M _{2 Gr} gearbox c=1 n ₁ ≤ 1400 rpm [Nm]	n _{2 therm} [rpm]	J _{GM} referred to motor shaft [kgm ²]	Servo helical- geared motor Dimensions on Page 3-99
				8 kHz		16 kHz					
				M _{2 max} [Nm]	Type EVS	M _{2 max} [Nm]	Type EVS				
365	51	3.8	32.267	927	9324	673	9324	1430	51	2.62E-03	GST11 - 2A □□□ 080C22 MDFKA□□ 080-22 60
415	45	3.8	36.667	1053	9324	765	9324	1624	45	2.61E-03	GST11 - 2A □□□ 080C22 MDFKA□□ 080-22 60
446	42	3.2	39.160	1125	9324	817	9324	1452	42	2.44E-03	GST11 - 2A □□□ 080C22 MDFKA□□ 080-22 60
506	37	3.2	44.500	1278	9324	928	9324	1650	37	2.43E-03	GST11 - 2A □□□ 080C22 MDFKA□□ 080-22 60
567	33	2.6	49.500	1422	9324	1033	9324	1476	33	2.27E-03	GST11 - 2A □□□ 080C22 MDFKA□□ 080-22 60
644	29	2.6	56.250	1615	9324	1173	9324	1677	29	2.26E-03	GST11 - 2A □□□ 080C22 MDFKA□□ 080-22 60
329	107	3.6	32.267	917	9325	664	9325	1430	107	2.62E-03	GST11 - 2A □□□ 080C22 MDFKA□□ 080-22 120
374	94	3.6	36.667	1042	9325	754	9325	1624	94	2.61E-03	GST11 - 2A □□□ 080C22 MDFKA□□ 080-22 120
402	88	3.0	39.160	1113	9325	806	9325	1452	88	2.44E-03	GST11 - 2A □□□ 080C22 MDFKA□□ 080-22 120
455	78	3.4	44.500	1265	9325	915	9325	1650	78	2.43E-03	GST11 - 2A □□□ 080C22 MDFKA□□ 080-22 120
510	70	2.7	49.500	1407	9325	1018	9325	1476	70	2.27E-03	GST11 - 2A □□□ 080C22 MDFKA□□ 080-22 120
579	61	2.7	56.250	1599	9325	1157	9325	1677	61	2.26E-03	GST11 - 2A □□□ 080C22 MDFKA□□ 080-22 120
251	134	5.2	12.571	698	9325	512	9325	1414	134	6.54E-03	GST11 - 2A □□□ 090C22 MDFKA□□ 090-22 60
285	118	5.2	14.286	793	9325	582	9325	1607	118	6.47E-03	GST11 - 2A □□□ 090C22 MDFKA□□ 090-22 60
411	83	3.7	20.289	1126	9325	827	9325	1570	83	5.03E-03	GST11 - 2A □□□ 090C22 MDFKA□□ 090-22 60
468	73	3.7	23.056	1280	9325	940	9325	1784	73	5.01E-03	GST11 - 2A □□□ 090C22 MDFKA□□ 090-22 60
509	67	3.1	24.933	1384	9325	1016	9325	1616	67	4.66E-03	GST11 - 2A □□□ 090C22 MDFKA□□ 090-22 60
578	59	3.1	28.333	1572	9325	1155	9325	1836	59	4.64E-03	GST11 - 2A □□□ 090C22 MDFKA□□ 090-22 60
663	52	2.5	32.267	1791	9325	1315	9325	1674	52	4.30E-03	GST11 - 2A □□□ 090C22 MDFKA□□ 090-22 60
753	46	2.5	36.667	2035	9325	1494	9325	1902	46	4.29E-03	GST11 - 2A □□□ 090C22 MDFKA□□ 090-22 60
808	43	2.1	39.160	2173	9325	1596	9325	1701	43	4.12E-03	GST11 - 2A □□□ 090C22 MDFKA□□ 090-22 60
918	38	2.1	44.500	2470	9325	1813	9325	1933	38	4.11E-03	GST11 - 2A □□□ 090C22 MDFKA□□ 090-22 60
1025	34	1.7	49.500	2593	9325	2017	9325	1728	34	3.95E-03	GST11 - 2A □□□ 090C22 MDFKA□□ 090-22 60
1165	30	1.7	56.250	2946	9325	2292	9325	1964	30	3.94E-03	GST11 - 2A □□□ 090C22 MDFKA□□ 090-22 60
223	277	4.6	12.571	618	9326	544	9327	1414	180	6.54E-03	GST11 - 2A □□□ 090C22 MDFKA□□ 090-22 120
254	244	4.6	14.286	703	9326	618	9327	1607	159	6.47E-03	GST11 - 2A □□□ 090C22 MDFKA□□ 090-22 120
364	172	3.6	20.289	998	9326	878	9327	1570	143	5.03E-03	GST11 - 2A □□□ 090C22 MDFKA□□ 090-22 120
414	151	3.6	23.056	1134	9326	998	9327	1784	125	5.01E-03	GST11 - 2A □□□ 090C22 MDFKA□□ 090-22 120
450	140	3.0	24.933	1227	9326	1079	9327	1616	125	4.66E-03	GST11 - 2A □□□ 090C22 MDFKA□□ 090-22 120
511	123	3.0	28.333	1394	9326	1226	9327	1836	110	4.64E-03	GST11 - 2A □□□ 090C22 MDFKA□□ 090-22 120
586	108	2.4	32.267	1587	9326	1396	9327	1674	96	4.30E-03	GST11 - 2A □□□ 090C22 MDFKA□□ 090-22 120
666	95	2.4	36.667	1804	9326	1587	9327	1902	85	4.29E-03	GST11 - 2A □□□ 090C22 MDFKA□□ 090-22 120
714	89	2.0	39.160	1926	9326	1695	9327	1701	79	4.12E-03	GST11 - 2A □□□ 090C22 MDFKA□□ 090-22 120
810	78	2.2	44.500	2189	9326	1926	9327	1933	70	4.11E-03	GST11 - 2A □□□ 090C22 MDFKA□□ 090-22 120

Observe the notes for thermal dimensioning.

Selection tables - Helical gearboxes

Forced ventilated asynchronous geared servo motors

M ₂ [Nm]	n _{2 trans} [rpm]	c	i	M _{2 max} short-time on geared motor at				M _{2 Gr} gearbox c=1 n ₁ ≤ 1400 rpm [Nm]	n _{2 therm} [rpm]	J _{GM} referred to motor shaft [kgm ²]	Servo helical- geared motor Dimensions on Page 3-99
				8 kHz		16 kHz					
				M _{2 max} [Nm]	Type EVS	M _{2 max} [Nm]	Type EVS				
905	70	1.8	49.500	2435	9326	2142	9327	1728	63	3.95E-03	GST11 - 2A □□□ 090C22 MDFKA□□ 090-22 120
1028	62	1.8	56.250	2767	9326	2434	9327	1964	55	3.94E-03	GST11 - 2A □□□ 090C22 MDFKA□□ 090-22 120
375	152	5.8	11.200	544	9325	657	9326	2380	152	1.11E-02	GST11 - 2A □□□ 100C22 MDFKA□□ 100-22 60
422	135	5.5	12.571	611	9325	738	9326	2520	135	1.01E-02	GST11 - 2A □□□ 100C22 MDFKA□□ 100-22 60
483	119	4.9	14.286	694	9325	839	9326	2579	119	1.01E-02	GST11 - 2A □□□ 100C22 MDFKA□□ 100-22 60
520	110	5.0	15.400	749	9325	904	9326	2695	110	9.50E-03	GST11 - 2A □□□ 100C22 MDFKA□□ 100-22 60
594	97	4.5	17.500	851	9325	1027	9326	2758	97	9.45E-03	GST11 - 2A □□□ 100C22 MDFKA□□ 100-22 60
694	84	3.9	20.289	986	9325	1191	9326	2756	84	8.63E-03	GST11 - 2A □□□ 100C22 MDFKA□□ 100-22 60
790	74	3.6	23.056	1121	9325	1353	9326	2913	74	8.61E-03	GST11 - 2A □□□ 100C22 MDFKA□□ 100-22 60
859	68	3.2	24.933	1212	9325	1464	9326	2777	68	8.26E-03	GST11 - 2A □□□ 100C22 MDFKA□□ 100-22 60
978	60	2.9	28.333	1377	9325	1663	9326	2933	60	8.24E-03	GST11 - 2A □□□ 100C22 MDFKA□□ 100-22 60
1119	53	2.5	32.267	1568	9325	1894	9326	2818	53	7.90E-03	GST11 - 2A □□□ 100C22 MDFKA□□ 100-22 60
1274	46	2.3	36.667	1782	9325	2152	9326	2933	46	7.89E-03	GST11 - 2A □□□ 100C22 MDFKA□□ 100-22 60
1364	43	2.0	39.160	1904	9325	2299	9326	2826	43	7.72E-03	GST11 - 2A □□□ 100C22 MDFKA□□ 100-22 60
1553	38	1.9	44.500	2163	9325	2612	9326	2933	38	7.71E-03	GST11 - 2A □□□ 100C22 MDFKA□□ 100-22 60
214	548	5.2	6.400	420	9327	397	9328	1549	320	1.18E-02	GST11 - 2A □□□ 100C22 MDFKA□□ 100-22 120
330	356	5.1	9.856	646	9327	612	9328	2325	207	1.12E-02	GST11 - 2A □□□ 100C22 MDFKA□□ 100-22 120
377	313	4.6	11.200	735	9327	696	9328	2380	178	1.11E-02	GST11 - 2A □□□ 100C22 MDFKA□□ 100-22 120
424	279	4.3	12.571	825	9327	781	9328	2520	178	1.01E-02	GST11 - 2A □□□ 100C22 MDFKA□□ 100-22 120
484	246	3.9	14.286	937	9327	887	9328	2579	153	1.01E-02	GST11 - 2A □□□ 100C22 MDFKA□□ 100-22 120
520	228	4.3	15.400	1010	9327	956	9328	2695	159	9.50E-03	GST11 - 2A □□□ 100C22 MDFKA□□ 100-22 120
593	201	3.9	17.500	1148	9327	1087	9328	2758	140	9.45E-03	GST11 - 2A □□□ 100C22 MDFKA□□ 100-22 120
692	173	3.3	20.289	1331	9327	1260	9328	2756	121	8.63E-03	GST11 - 2A □□□ 100C22 MDFKA□□ 100-22 120
788	152	3.1	23.056	1512	9327	1432	9328	2913	106	8.61E-03	GST11 - 2A □□□ 100C22 MDFKA□□ 100-22 120
855	141	2.7	24.933	1635	9327	1548	9328	2777	98	8.26E-03	GST11 - 2A □□□ 100C22 MDFKA□□ 100-22 120
974	124	2.5	28.333	1858	9327	1759	9328	2933	86	8.24E-03	GST11 - 2A □□□ 100C22 MDFKA□□ 100-22 120
1114	109	2.1	32.267	2116	9327	2004	9328	2818	76	7.90E-03	GST11 - 2A □□□ 100C22 MDFKA□□ 100-22 120
1268	96	2.0	36.667	2405	9327	2277	9328	2933	67	7.89E-03	GST11 - 2A □□□ 100C22 MDFKA□□ 100-22 120
1357	90	1.8	39.160	2568	9327	2432	9328	2826	63	7.72E-03	GST11 - 2A □□□ 100C22 MDFKA□□ 100-22 120
1542	79	1.8	44.500	2919	9327	2763	9328	2933	55	7.71E-03	GST11 - 2A □□□ 100C22 MDFKA□□ 100-22 120
229	422	5.9	4.056	410	9326	539	9328	1490	422	2.62E-02	GST11 - 2A □□□ 112C22 MDFKA□□ 112-22 60
252	384	5.8	4.457	450	9326	592	9328	1606	384	2.59E-02	GST11 - 2A □□□ 112C22 MDFKA□□ 112-22 60
305	321	4.8	5.324	538	9326	707	9328	1594	321	2.35E-02	GST11 - 2A □□□ 112C22 MDFKA□□ 112-22 60
335	292	4.9	5.850	591	9326	777	9328	1772	292	2.34E-02	GST11 - 2A □□□ 112C22 MDFKA□□ 112-22 60

Observe the notes for thermal dimensioning.

Selection tables - Helical gearboxes

Forced ventilated asynchronous geared servo motors



M ₂ [Nm]	n _{2 trans} [rpm]	c	i	M _{2 max} short-time on geared motor at				M _{2 Gr} gearbox c=1 n ₁ ≤ 1400 rpm [Nm]	n _{2 therm} [rpm]	J _{GM} referred to motor shaft [kgm ²]	Servo helical-geared motor Dimensions on Page 3-99
				8 kHz		16 kHz					
				M _{2 max} [Nm]	Type EVS	M _{2 max} [Nm]	Type EVS				
367	267	4.5	6.400	646	9326	850	9328	1801	267	2.26E-02	GST11 - 2A □□□ 112C22 MDFKA□□ 112-22 60
393	249	4.8	6.864	693	9326	912	9328	2065	245	2.48E-02	GST11 - 2A □□□ 112C22 MDFKA□□ 112-22 60
449	219	4.4	7.800	788	9326	1036	9328	2114	211	2.45E-02	GST11 - 2A □□□ 112C22 MDFKA□□ 112-22 60
520	190	4.0	9.010	910	9326	1197	9328	2259	190	2.27E-02	GST11 - 2A □□□ 112C22 MDFKA□□ 112-22 60
570	174	3.8	9.856	996	9326	1309	9328	2325	174	2.20E-02	GST11 - 2A □□□ 112C22 MDFKA□□ 112-22 60
651	153	3.4	11.200	1131	9326	1488	9328	2380	153	2.19E-02	GST11 - 2A □□□ 112C22 MDFKA□□ 112-22 60
732	136	3.2	12.571	1270	9326	1670	9328	2520	136	2.09E-02	GST11 - 2A □□□ 112C22 MDFKA□□ 112-22 60
834	120	2.9	14.286	1443	9326	1898	9328	2579	120	2.09E-02	GST11 - 2A □□□ 112C22 MDFKA□□ 112-22 60
899	111	2.9	15.400	1555	9326	2046	9328	2695	111	2.03E-02	GST11 - 2A □□□ 112C22 MDFKA□□ 112-22 60
1025	98	2.6	17.500	1768	9326	2324	9328	2758	98	2.03E-02	GST11 - 2A □□□ 112C22 MDFKA□□ 112-22 60
1193	84	2.3	20.289	2049	9326	2695	9328	2756	84	1.94E-02	GST11 - 2A □□□ 112C22 MDFKA□□ 112-22 60
1358	74	2.1	23.056	2329	9326	3062	9328	2913	74	1.94E-02	GST11 - 2A □□□ 112C22 MDFKA□□ 112-22 60
1472	69	1.9	24.933	2518	9326	3312	9328	2777	69	1.91E-02	GST11 - 2A □□□ 112C22 MDFKA□□ 112-22 60
1675	60	1.7	28.333	2862	9326	3763	9328	2933	60	1.90E-02	GST11 - 2A □□□ 112C22 MDFKA□□ 112-22 60
207	868	5.2	4.056	424	9328	526	9330	1490	421	2.62E-02	GST11 - 2A □□□ 112C22 MDFKA□□ 112-22 120
228	790	5.1	4.457	466	9328	578	9330	1606	382	2.59E-02	GST11 - 2A □□□ 112C22 MDFKA□□ 112-22 120
275	661	4.2	5.324	556	9328	690	9330	1594	356	2.35E-02	GST11 - 2A □□□ 112C22 MDFKA□□ 112-22 120
302	602	4.3	5.850	611	9328	758	9330	1772	325	2.34E-02	GST11 - 2A □□□ 112C22 MDFKA□□ 112-22 120
331	550	4.0	6.400	669	9328	830	9330	1801	302	2.26E-02	GST11 - 2A □□□ 112C22 MDFKA□□ 112-22 120
354	513	4.2	6.864	717	9328	890	9330	2065	238	2.48E-02	GST11 - 2A □□□ 112C22 MDFKA□□ 112-22 120
404	451	3.8	7.800	815	9328	1011	9330	2114	204	2.45E-02	GST11 - 2A □□□ 112C22 MDFKA□□ 112-22 120
468	391	3.5	9.010	941	9328	1168	9330	2259	202	2.27E-02	GST11 - 2A □□□ 112C22 MDFKA□□ 112-22 120
513	357	3.3	9.856	1030	9328	1278	9330	2325	188	2.20E-02	GST11 - 2A □□□ 112C22 MDFKA□□ 112-22 120
585	314	3.0	11.200	1170	9328	1452	9330	2380	161	2.19E-02	GST11 - 2A □□□ 112C22 MDFKA□□ 112-22 120
658	280	2.8	12.571	1314	9328	1630	9330	2520	160	2.09E-02	GST11 - 2A □□□ 112C22 MDFKA□□ 112-22 120
750	246	2.5	14.286	1493	9328	1852	9330	2579	139	2.09E-02	GST11 - 2A □□□ 112C22 MDFKA□□ 112-22 120
807	229	2.8	15.400	1609	9328	1996	9330	2695	131	2.03E-02	GST11 - 2A □□□ 112C22 MDFKA□□ 112-22 120
919	201	2.5	17.500	1829	9328	2268	9330	2758	115	2.03E-02	GST11 - 2A □□□ 112C22 MDFKA□□ 112-22 120
1070	173	2.2	20.289	2120	9328	2630	9330	2756	99	1.94E-02	GST11 - 2A □□□ 112C22 MDFKA□□ 112-22 120
1217	153	2.0	23.056	2409	9328	2989	9330	2913	87	1.94E-02	GST11 - 2A □□□ 112C22 MDFKA□□ 112-22 120
1320	141	1.8	24.933	2605	9328	3232	9330	2777	81	1.91E-02	GST11 - 2A □□□ 112C22 MDFKA□□ 112-22 120
1502	124	1.7	28.333	2961	9328	3673	9330	2933	71	1.90E-02	GST11 - 2A □□□ 112C22 MDFKA□□ 112-22 120
233	84	5.8	40.816	507	9324	741	9325	1641	84	1.47E-03	GST11 - 3A □□□ 071C22 MDFKA□□ 071-22 120
757	26	3.5	129.074	1604	9324	2344	9325	2810	26	1.02E-03	GST11 - 3A □□□ 071C22 MDFKA□□ 071-22 120

Observe the notes for thermal dimensioning.

Selection tables - Helical gearboxes

Forced ventilated asynchronous geared servo motors

M ₂ [Nm]	n ₂ trans [rpm]	c	i	M ₂ max short-time on geared motor at				M ₂ Gr gearbox c=1 n ₁ ≤ 1400 rpm [Nm]	n ₂ therm [rpm]	J _{GM} referred to motor shaft [kgm ²]	Servo helical- geared motor Dimensions on Page 3-99
				8 kHz		16 kHz					
				M ₂ max [Nm]	Type EVS	M ₂ max [Nm]	Type EVS				
867	23	2.9	146.993	1826	9324	2669	9325	2695	23	1.01E-03	GST11 - 3A □□□ 071C22 MDFKA□□ 071-22 120
934	22	2.8	158.194	1965	9324	2873	9325	2810	22	9.70E-04	GST11 - 3A □□□ 071C22 MDFKA□□ 071-22 120
1069	19	2.4	180.156	2238	9324	3271	9325	2695	19	9.59E-04	GST11 - 3A □□□ 071C22 MDFKA□□ 071-22 120
1236	16	2.2	207.778	2581	9324	3773	9325	2810	16	9.18E-04	GST11 - 3A □□□ 071C22 MDFKA□□ 071-22 120
1413	14	1.8	236.622	2940	9324	4043	9325	2695	14	9.12E-04	GST11 - 3A □□□ 071C22 MDFKA□□ 071-22 120
1506	14	1.8	252.167	3133	9324	4215	9325	2810	14	8.93E-04	GST11 - 3A □□□ 071C22 MDFKA□□ 071-22 120
1607	13	1.7	268.889	3341	9324	4272	9325	2848	13	9.12E-04	GST11 - 3A □□□ 071C22 MDFKA□□ 071-22 120
1957	10	1.4	326.333	4054	9324	4272	9325	2848	10	8.89E-04	GST11 - 3A □□□ 071C22 MDFKA□□ 071-22 120
2181	9.4	1.2	363.000	4043	9324	4043	9325	2695	9.4	9.06E-04	GST11 - 3A □□□ 071C22 MDFKA□□ 071-22 120
2481	8.3	1.1	412.500	4272	9324	4272	9325	2848	8.3	8.85E-04	GST11 - 3A □□□ 071C22 MDFKA□□ 071-22 120
447	40	5.2	40.816	1155	9324	839	9324	2444	40	2.56E-03	GST11 - 3A □□□ 080C22 MDFKA□□ 080-22 60
485	37	4.8	44.000	1245	9324	904	9324	2410	37	2.49E-03	GST11 - 3A □□□ 080C22 MDFKA□□ 080-22 60
551	33	4.8	50.000	1414	9324	1027	9324	2725	33	2.48E-03	GST11 - 3A □□□ 080C22 MDFKA□□ 080-22 60
645	28	3.9	57.968	1640	9324	1191	9324	2577	28	2.40E-03	GST11 - 3A □□□ 080C22 MDFKA□□ 080-22 60
681	27	3.9	61.250	1733	9324	1259	9324	2725	27	2.33E-03	GST11 - 3A □□□ 080C22 MDFKA□□ 080-22 60
795	23	3.2	71.011	2009	9324	1459	9324	2637	23	2.27E-03	GST11 - 3A □□□ 080C22 MDFKA□□ 080-22 60
906	20	3.0	80.694	2283	9324	1658	9324	2787	20	2.27E-03	GST11 - 3A □□□ 080C22 MDFKA□□ 080-22 60
983	19	2.7	87.267	2469	9324	1793	9324	2657	19	2.24E-03	GST11 - 3A □□□ 080C22 MDFKA□□ 080-22 60
1120	16	2.5	99.167	2805	9324	2038	9324	2810	16	2.24E-03	GST11 - 3A □□□ 080C22 MDFKA□□ 080-22 60
1280	14	2.1	112.933	3195	9324	2320	9324	2695	14	2.21E-03	GST11 - 3A □□□ 080C22 MDFKA□□ 080-22 60
1466	13	1.9	129.074	3651	9324	2652	9324	2810	13	2.11E-03	GST11 - 3A □□□ 080C22 MDFKA□□ 080-22 60
1675	11	1.6	146.993	4043	9324	3020	9324	2695	11	2.10E-03	GST11 - 3A □□□ 080C22 MDFKA□□ 080-22 60
1804	10	1.5	158.194	4215	9324	3250	9324	2810	10	2.06E-03	GST11 - 3A □□□ 080C22 MDFKA□□ 080-22 60
2059	9.1	1.3	180.156	4043	9324	3702	9324	2695	9.1	2.05E-03	GST11 - 3A □□□ 080C22 MDFKA□□ 080-22 60
2378	7.9	1.2	207.778	4215	9324	4215	9324	2810	7.9	2.01E-03	GST11 - 3A □□□ 080C22 MDFKA□□ 080-22 60
404	85	5.0	40.816	1143	9325	827	9325	2444	85	2.56E-03	GST11 - 3A □□□ 080C22 MDFKA□□ 080-22 120
435	79	5.1	44.000	1232	9325	892	9325	2410	79	2.49E-03	GST11 - 3A □□□ 080C22 MDFKA□□ 080-22 120
494	69	5.0	50.000	1400	9325	1013	9325	2725	69	2.48E-03	GST11 - 3A □□□ 080C22 MDFKA□□ 080-22 120
579	60	4.1	57.968	1623	9325	1175	9325	2577	60	2.40E-03	GST11 - 3A □□□ 080C22 MDFKA□□ 080-22 120
612	56	4.1	61.250	1715	9325	1241	9325	2725	56	2.33E-03	GST11 - 3A □□□ 080C22 MDFKA□□ 080-22 120
714	49	3.4	71.011	1988	9325	1439	9325	2637	49	2.27E-03	GST11 - 3A □□□ 080C22 MDFKA□□ 080-22 120
814	43	3.2	80.694	2260	9325	1635	9325	2787	43	2.27E-03	GST11 - 3A □□□ 080C22 MDFKA□□ 080-22 120
884	40	2.8	87.267	2444	9325	1768	9325	2657	40	2.24E-03	GST11 - 3A □□□ 080C22 MDFKA□□ 080-22 120
1006	35	2.6	99.167	2777	9325	2009	9325	2810	35	2.24E-03	GST11 - 3A □□□ 080C22 MDFKA□□ 080-22 120

Observe the notes for thermal dimensioning.

Selection tables - Helical gearboxes

Forced ventilated asynchronous geared servo motors



M ₂ [Nm]	n _{2 trans} [rpm]	c	i	M _{2 max} short-time on geared motor at				M _{2 Gr} gearbox c=1 n ₁ ≤ 1400 rpm [Nm]	n _{2 therm} [rpm]	J _{GM} referred to motor shaft [kgm ²]	Servo helical-geared motor Dimensions on Page 3-99
				8 kHz		16 kHz					
				M _{2 max} [Nm]	Type EVS	M _{2 max} [Nm]	Type EVS				
1151	31	2.2	112.933	3162	9325	2288	9325	2695	31	2.21E-03	GST11 - 3A □□□ 080C22 MDFKA□□ 080-22 120
1318	27	2.0	129.074	3614	9325	2615	9325	2810	27	2.11E-03	GST11 - 3A □□□ 080C22 MDFKA□□ 080-22 120
1506	24	1.7	146.993	4043	9325	2978	9325	2695	24	2.10E-03	GST11 - 3A □□□ 080C22 MDFKA□□ 080-22 120
1622	22	1.6	158.194	4215	9325	3205	9325	2810	22	2.06E-03	GST11 - 3A □□□ 080C22 MDFKA□□ 080-22 120
1852	19	1.4	180.156	4043	9325	3650	9325	2695	19	2.05E-03	GST11 - 3A □□□ 080C22 MDFKA□□ 080-22 120
2139	17	1.3	207.778	4215	9325	4210	9325	2810	17	2.01E-03	GST11 - 3A □□□ 080C22 MDFKA□□ 080-22 120
2441	15	1.1	236.622	4043	9325	4043	9325	2695	15	2.00E-03	GST11 - 3A □□□ 080C22 MDFKA□□ 080-22 120
2602	14	1.0	252.167	4215	9325	4215	9325	2810	14	1.98E-03	GST11 - 3A □□□ 080C22 MDFKA□□ 080-22 120
821	41	3.0	40.816	2231	9325	1638	9325	2550	41	4.24E-03	GST11 - 3A □□□ 090C22 MDFKA□□ 090-22 60
888	38	2.7	44.000	2405	9325	1766	9325	2410	38	4.17E-03	GST11 - 3A □□□ 090C22 MDFKA□□ 090-22 60
1010	34	2.7	50.000	2733	9325	2007	9325	2725	34	4.16E-03	GST11 - 3A □□□ 090C22 MDFKA□□ 090-22 60
1177	29	2.2	57.968	3169	9325	2327	9325	2577	29	4.08E-03	GST11 - 3A □□□ 090C22 MDFKA□□ 090-22 60
1243	27	2.2	61.250	3348	9325	2459	9325	2725	27	4.01E-03	GST11 - 3A □□□ 090C22 MDFKA□□ 090-22 60
1447	24	1.8	71.011	3882	9325	2850	9325	2637	24	3.95E-03	GST11 - 3A □□□ 090C22 MDFKA□□ 090-22 60
1646	21	1.7	80.694	4180	9325	3239	9325	2787	21	3.95E-03	GST11 - 3A □□□ 090C22 MDFKA□□ 090-22 60
1784	19	1.5	87.267	3985	9325	3503	9325	2657	19	3.92E-03	GST11 - 3A □□□ 090C22 MDFKA□□ 090-22 60
2029	17	1.4	99.167	4215	9325	3980	9325	2810	17	3.92E-03	GST11 - 3A □□□ 090C22 MDFKA□□ 090-22 60
2317	15	1.2	112.933	4043	9325	4043	9325	2695	15	3.89E-03	GST11 - 3A □□□ 090C22 MDFKA□□ 090-22 60
2650	13	1.1	129.074	4215	9325	4215	9325	2810	13	3.79E-03	GST11 - 3A □□□ 090C22 MDFKA□□ 090-22 60
726	85	3.0	40.816	1978	9326	1740	9327	2550	76	4.24E-03	GST11 - 3A □□□ 090C22 MDFKA□□ 090-22 120
783	79	2.9	44.000	2132	9326	1875	9327	2410	71	4.17E-03	GST11 - 3A □□□ 090C22 MDFKA□□ 090-22 120
890	70	2.9	50.000	2423	9326	2131	9327	2725	62	4.16E-03	GST11 - 3A □□□ 090C22 MDFKA□□ 090-22 120
1038	60	2.3	57.968	2809	9326	2471	9327	2577	54	4.08E-03	GST11 - 3A □□□ 090C22 MDFKA□□ 090-22 120
1097	57	2.3	61.250	2968	9326	2611	9327	2725	51	4.01E-03	GST11 - 3A □□□ 090C22 MDFKA□□ 090-22 120
1277	49	1.9	71.011	3441	9326	3027	9327	2637	44	3.95E-03	GST11 - 3A □□□ 090C22 MDFKA□□ 090-22 120
1453	43	1.8	80.694	3910	9326	3439	9327	2787	39	3.95E-03	GST11 - 3A □□□ 090C22 MDFKA□□ 090-22 120
1575	40	1.6	87.267	3985	9326	3720	9327	2657	36	3.92E-03	GST11 - 3A □□□ 090C22 MDFKA□□ 090-22 120
1792	35	1.5	99.167	4215	9326	4215	9327	2810	31	3.92E-03	GST11 - 3A □□□ 090C22 MDFKA□□ 090-22 120
2045	31	1.3	112.933	4043	9326	4043	9327	2695	28	3.89E-03	GST11 - 3A □□□ 090C22 MDFKA□□ 090-22 120
2340	27	1.1	129.074	4215	9326	4215	9327	2810	24	3.79E-03	GST11 - 3A □□□ 090C22 MDFKA□□ 090-22 120
1404	42	1.8	40.816	1954	9325	2360	9326	2550	42	7.84E-03	GST11 - 3A □□□ 100C22 MDFKA□□ 100-22 60
1517	39	1.6	44.000	2107	9325	2544	9326	2410	39	7.77E-03	GST11 - 3A □□□ 100C22 MDFKA□□ 100-22 60
1724	34	1.6	50.000	2394	9325	2891	9326	2725	34	7.76E-03	GST11 - 3A □□□ 100C22 MDFKA□□ 100-22 60
2005	29	1.3	57.968	2776	9325	3352	9326	2577	29	7.68E-03	GST11 - 3A □□□ 100C22 MDFKA□□ 100-22 60

Observe the notes for thermal dimensioning.

Selection tables - Helical gearboxes

Forced ventilated asynchronous geared servo motors

M ₂ [Nm]	n ₂ trans [rpm]	c	i	M ₂ max short-time on geared motor at				M ₂ Gr gearbox c=1 n ₁ ≤ 1400 rpm [Nm]	n ₂ therm [rpm]	J _G M referred to motor shaft [kgm ²]	Servo helical- geared motor Dimensions on Page 3-99
				8 kHz		16 kHz					
				M ₂ max [Nm]	Type EVS	M ₂ max [Nm]	Type EVS				
2119	28	1.3	61.250	2933	9325	3541	9326	2725	28	7.61E-03	GST11 - 3A □□□ 100C22 MDFKA□□ 100-22 60
2462	24	1.1	71.011	3400	9325	3955	9326	2637	24	7.55E-03	GST11 - 3A □□□ 100C22 MDFKA□□ 100-22 60
1396	86	1.6	40.816	2637	9327	2496	9328	2550	60	7.84E-03	GST11 - 3A □□□ 100C22 MDFKA□□ 100-22 120
1506	80	1.5	44.000	2843	9327	2691	9328	2410	56	7.77E-03	GST11 - 3A □□□ 100C22 MDFKA□□ 100-22 120
1711	70	1.5	50.000	3230	9327	3058	9328	2725	49	7.76E-03	GST11 - 3A □□□ 100C22 MDFKA□□ 100-22 120
1990	61	1.2	57.968	3745	9327	3546	9328	2577	42	7.68E-03	GST11 - 3A □□□ 100C22 MDFKA□□ 100-22 120
2102	57	1.2	61.250	3957	9327	3746	9328	2725	40	7.61E-03	GST11 - 3A □□□ 100C22 MDFKA□□ 100-22 120
2442	49	1.0	71.011	3955	9327	3955	9328	2637	34	7.55E-03	GST11 - 3A □□□ 100C22 MDFKA□□ 100-22 120
672	85	5.6	20.044	974	9325	1177	9326	3958	85	1.18E-02	GST14 - 2A □□□ 100C22 MDFKA□□ 100-22 60
764	75	5.6	22.778	1107	9325	1337	9326	4498	75	1.17E-02	GST14 - 2A □□□ 100C22 MDFKA□□ 100-22 60
830	69	5.0	24.567	1194	9325	1442	9326	4286	69	1.05E-02	GST14 - 2A □□□ 100C22 MDFKA□□ 100-22 60
943	61	5.0	27.917	1357	9325	1639	9326	4871	61	1.05E-02	GST14 - 2A □□□ 100C22 MDFKA□□ 100-22 60
1103	53	3.9	32.267	1568	9325	1894	9326	4423	53	9.35E-03	GST14 - 2A □□□ 100C22 MDFKA□□ 100-22 60
1253	46	3.9	36.667	1782	9325	2152	9326	5026	46	9.32E-03	GST14 - 2A □□□ 100C22 MDFKA□□ 100-22 60
1347	43	3.3	39.160	1904	9325	2299	9326	4493	43	8.77E-03	GST14 - 2A □□□ 100C22 MDFKA□□ 100-22 60
1531	38	3.3	44.500	2163	9325	2612	9326	5106	38	8.75E-03	GST14 - 2A □□□ 100C22 MDFKA□□ 100-22 60
1717	34	2.5	49.500	2406	9325	2906	9326	4348	34	8.26E-03	GST14 - 2A □□□ 100C22 MDFKA□□ 100-22 60
1951	30	2.5	56.250	2734	9325	3302	9326	4940	30	8.25E-03	GST14 - 2A □□□ 100C22 MDFKA□□ 100-22 60
672	175	4.8	20.044	1315	9327	1245	9328	3958	122	1.18E-02	GST14 - 2A □□□ 100C22 MDFKA□□ 100-22 120
764	154	4.8	22.778	1494	9327	1414	9328	4498	108	1.17E-02	GST14 - 2A □□□ 100C22 MDFKA□□ 100-22 120
829	143	4.3	24.567	1611	9327	1526	9328	4286	100	1.05E-02	GST14 - 2A □□□ 100C22 MDFKA□□ 100-22 120
942	126	4.3	27.917	1831	9327	1734	9328	4871	88	1.05E-02	GST14 - 2A □□□ 100C22 MDFKA□□ 100-22 120
1100	109	3.4	32.267	2116	9327	2004	9328	4423	76	9.35E-03	GST14 - 2A □□□ 100C22 MDFKA□□ 100-22 120
1250	96	3.4	36.667	2405	9327	2277	9328	5026	67	9.32E-03	GST14 - 2A □□□ 100C22 MDFKA□□ 100-22 120
1342	90	2.8	39.160	2568	9327	2432	9328	4493	63	8.77E-03	GST14 - 2A □□□ 100C22 MDFKA□□ 100-22 120
1520	79	3.1	44.500	2919	9327	2763	9328	5106	55	8.75E-03	GST14 - 2A □□□ 100C22 MDFKA□□ 100-22 120
1704	71	2.4	49.500	3247	9327	3074	9328	4348	49	8.26E-03	GST14 - 2A □□□ 100C22 MDFKA□□ 100-22 120
1937	62	2.4	56.250	3689	9327	3493	9328	4940	44	8.25E-03	GST14 - 2A □□□ 100C22 MDFKA□□ 100-22 120
559	174	5.4	9.841	994	9326	1307	9328	3333	174	2.55E-02	GST14 - 2A □□□ 112C22 MDFKA□□ 112-22 60
623	155	5.8	11.000	1111	9326	1461	9328	3940	155	2.99E-02	GST14 - 2A □□□ 112C22 MDFKA□□ 112-22 60
703	138	5.4	12.362	1249	9326	1642	9328	4176	138	2.69E-02	GST14 - 2A □□□ 112C22 MDFKA□□ 112-22 60
803	122	4.9	14.048	1419	9326	1866	9328	4270	122	2.67E-02	GST14 - 2A □□□ 112C22 MDFKA□□ 112-22 60
866	113	4.9	15.156	1531	9326	2013	9328	4466	113	2.48E-02	GST14 - 2A □□□ 112C22 MDFKA□□ 112-22 60
989	99	4.4	17.222	1740	9326	2288	9328	4565	99	2.46E-02	GST14 - 2A □□□ 112C22 MDFKA□□ 112-22 60

Observe the notes for thermal dimensioning.

Selection tables - Helical gearboxes

Forced ventilated asynchronous geared servo motors



M ₂ [Nm]	n _{2 trans} [rpm]	c	i	M _{2 max} short-time on geared motor at				M _{2 Gr} gearbox c=1 n ₁ ≤ 1400 rpm [Nm]	n _{2 therm} [rpm]	J _{GM} referred to motor shaft [kgm ²]	Servo helical-geared motor Dimensions on Page 3-99
				8 kHz		16 kHz					
				M _{2 max} [Nm]	Type EVS	M _{2 max} [Nm]	Type EVS				
1156	85	4.1	20.044	2025	9326	2662	9328	4902	85	2.26E-02	GST14 - 2A □□□ 112C22 MDFKA□□ 112-22 60
1319	75	3.7	22.778	2301	9326	3025	9328	5010	75	2.25E-02	GST14 - 2A □□□ 112C22 MDFKA□□ 112-22 60
1425	70	3.6	24.567	2481	9326	3263	9328	5236	70	2.13E-02	GST14 - 2A □□□ 112C22 MDFKA□□ 112-22 60
1625	61	3.2	27.917	2820	9326	3708	9328	5355	61	2.13E-02	GST14 - 2A □□□ 112C22 MDFKA□□ 112-22 60
1886	53	2.8	32.267	3259	9326	4286	9328	5436	53	2.02E-02	GST14 - 2A □□□ 112C22 MDFKA□□ 112-22 60
2147	47	2.6	36.667	3703	9326	4870	9328	5768	47	2.01E-02	GST14 - 2A □□□ 112C22 MDFKA□□ 112-22 60
2301	44	2.3	39.160	3955	9326	5201	9328	5452	44	1.96E-02	GST14 - 2A □□□ 112C22 MDFKA□□ 112-22 60
2619	38	2.2	44.500	4495	9326	5911	9328	5786	38	1.96E-02	GST14 - 2A □□□ 112C22 MDFKA□□ 112-22 60
408	439	5.6	8.027	839	9328	1041	9330	3168	251	2.80E-02	GST14 - 2A □□□ 112C22 MDFKA□□ 112-22 120
445	400	6.0	8.800	920	9328	1141	9330	3737	195	3.19E-02	GST14 - 2A □□□ 112C22 MDFKA□□ 112-22 120
505	358	4.8	9.841	1028	9328	1276	9330	3333	205	2.55E-02	GST14 - 2A □□□ 112C22 MDFKA□□ 112-22 120
562	320	5.1	11.000	1149	9328	1426	9330	3940	154	2.99E-02	GST14 - 2A □□□ 112C22 MDFKA□□ 112-22 120
634	285	4.8	12.362	1292	9328	1602	9330	4176	158	2.69E-02	GST14 - 2A □□□ 112C22 MDFKA□□ 112-22 120
724	251	4.3	14.048	1468	9328	1821	9330	4270	136	2.67E-02	GST14 - 2A □□□ 112C22 MDFKA□□ 112-22 120
778	232	4.7	15.156	1584	9328	1965	9330	4466	133	2.48E-02	GST14 - 2A □□□ 112C22 MDFKA□□ 112-22 120
888	204	4.2	17.222	1800	9328	2232	9330	4565	117	2.46E-02	GST14 - 2A □□□ 112C22 MDFKA□□ 112-22 120
1037	176	3.9	20.044	2095	9328	2598	9330	4902	100	2.26E-02	GST14 - 2A □□□ 112C22 MDFKA□□ 112-22 120
1184	155	3.5	22.778	2380	9328	2953	9330	5010	88	2.25E-02	GST14 - 2A □□□ 112C22 MDFKA□□ 112-22 120
1278	143	3.4	24.567	2567	9328	3184	9330	5236	82	2.13E-02	GST14 - 2A □□□ 112C22 MDFKA□□ 112-22 120
1458	126	3.1	27.917	2917	9328	3619	9330	5355	72	2.13E-02	GST14 - 2A □□□ 112C22 MDFKA□□ 112-22 120
1692	109	2.7	32.267	3372	9328	4183	9330	5436	62	2.02E-02	GST14 - 2A □□□ 112C22 MDFKA□□ 112-22 120
1926	96	2.5	36.667	3831	9328	4753	9330	5768	55	2.01E-02	GST14 - 2A □□□ 112C22 MDFKA□□ 112-22 120
2063	90	2.2	39.160	4092	9328	5076	9330	5452	51	1.96E-02	GST14 - 2A □□□ 112C22 MDFKA□□ 112-22 120
2343	79	2.3	44.500	4650	9328	5768	9330	5786	45	1.96E-02	GST14 - 2A □□□ 112C22 MDFKA□□ 112-22 120
1034	17	4.5	93.541	2646	9324	1922	9324	4793	17	2.58E-03	GST14 - 3A □□□ 080C22 MDFKA□□ 080-22 60
1175	15	4.5	106.296	3007	9324	2184	9324	5447	15	2.57E-03	GST14 - 3A □□□ 080C22 MDFKA□□ 080-22 60
1448	13	4.0	130.278	3685	9324	2677	9324	5920	13	2.52E-03	GST14 - 3A □□□ 080C22 MDFKA□□ 080-22 60
1553	12	3.6	139.211	3938	9324	2860	9324	5736	12	2.36E-03	GST14 - 3A □□□ 080C22 MDFKA□□ 080-22 60
1771	10	3.3	158.194	4475	9324	3250	9324	5920	10	2.36E-03	GST14 - 3A □□□ 080C22 MDFKA□□ 080-22 60
1921	9.6	3.0	171.111	4840	9324	3516	9324	5920	9.6	2.47E-03	GST14 - 3A □□□ 080C22 MDFKA□□ 080-22 60
2310	8.0	2.5	204.722	5791	9324	4206	9324	5920	8.0	2.21E-03	GST14 - 3A □□□ 080C22 MDFKA□□ 080-22 60
2682	6.9	2.1	236.622	6694	9324	4862	9324	5779	6.9	2.19E-03	GST14 - 3A □□□ 080C22 MDFKA□□ 080-22 60
2817	6.6	2.1	248.458	7028	9324	5105	9324	5920	6.6	2.13E-03	GST14 - 3A □□□ 080C22 MDFKA□□ 080-22 60
3054	6.1	1.9	268.889	7606	9324	5525	9324	5920	6.1	2.19E-03	GST14 - 3A □□□ 080C22 MDFKA□□ 080-22 60

Observe the notes for thermal dimensioning.

Selection tables - Helical gearboxes

Forced ventilated asynchronous geared servo motors

M ₂ [Nm]	n _{2 trans} [rpm]	c	i	M _{2 max} short-time on geared motor at				M _{2 Gr} gearbox c=1 n ₁ ≤ 1400 rpm [Nm]	n _{2 therm} [rpm]	J _{GM} referred to motor shaft [kgm ²]	Servo helical- geared motor Dimensions on Page 3-99
				8 kHz		16 kHz					
				M _{2 max} [Nm]	Type EVS	M _{2 max} [Nm]	Type EVS				
3720	5.0	1.6	326.333	8880	9324	6705	9324	5920	5.0	2.11E-03	GST14 - 3A □□□ 080C22 MDFKA□□ 080-22 60
4146	4.5	1.4	363.000	8668	9324	7459	9324	5779	4.5	2.17E-03	GST14 - 3A □□□ 080C22 MDFKA□□ 080-22 60
4718	4.0	1.3	412.500	8880	9324	8476	9324	5920	4.0	2.10E-03	GST14 - 3A □□□ 080C22 MDFKA□□ 080-22 60
928	37	4.7	93.541	2619	9325	1895	9325	4793	37	2.58E-03	GST14 - 3A □□□ 080C22 MDFKA□□ 080-22 120
1054	33	4.7	106.296	2976	9325	2154	9325	5447	33	2.57E-03	GST14 - 3A □□□ 080C22 MDFKA□□ 080-22 120
1300	27	4.2	130.278	3648	9325	2640	9325	5920	27	2.52E-03	GST14 - 3A □□□ 080C22 MDFKA□□ 080-22 120
1395	25	3.8	139.211	3898	9325	2821	9325	5736	25	2.36E-03	GST14 - 3A □□□ 080C22 MDFKA□□ 080-22 120
1591	22	3.5	158.194	4430	9325	3205	9325	5920	22	2.36E-03	GST14 - 3A □□□ 080C22 MDFKA□□ 080-22 120
1725	20	3.2	171.111	4791	9325	3467	9325	5920	20	2.47E-03	GST14 - 3A □□□ 080C22 MDFKA□□ 080-22 120
2076	17	2.7	204.722	5733	9325	4148	9325	5920	17	2.21E-03	GST14 - 3A □□□ 080C22 MDFKA□□ 080-22 120
2410	15	2.3	236.622	6626	9325	4794	9325	5779	15	2.19E-03	GST14 - 3A □□□ 080C22 MDFKA□□ 080-22 120
2532	14	2.2	248.458	6957	9325	5034	9325	5920	14	2.13E-03	GST14 - 3A □□□ 080C22 MDFKA□□ 080-22 120
2745	13	2.0	268.889	7529	9325	5448	9325	5920	13	2.19E-03	GST14 - 3A □□□ 080C22 MDFKA□□ 080-22 120
3344	11	1.7	326.333	8880	9325	6612	9325	5920	11	2.11E-03	GST14 - 3A □□□ 080C22 MDFKA□□ 080-22 120
3728	9.5	1.5	363.000	8668	9325	7355	9325	5779	9.5	2.17E-03	GST14 - 3A □□□ 080C22 MDFKA□□ 080-22 120
4243	8.4	1.3	412.500	8880	9325	8357	9325	5920	8.4	2.10E-03	GST14 - 3A □□□ 080C22 MDFKA□□ 080-22 120
791	42	5.0	40.185	2197	9325	1613	9325	4099	42	6.04E-03	GST14 - 3A □□□ 090C22 MDFKA□□ 090-22 60
844	39	4.3	42.580	2328	9325	1709	9325	3804	39	5.43E-03	GST14 - 3A □□□ 090C22 MDFKA□□ 090-22 60
959	35	4.3	48.386	2645	9325	1942	9325	4323	35	5.41E-03	GST14 - 3A □□□ 090C22 MDFKA□□ 090-22 60
1053	32	4.4	53.148	2905	9325	2133	9325	4779	32	5.65E-03	GST14 - 3A □□□ 090C22 MDFKA□□ 090-22 60
1184	28	3.7	59.321	3243	9325	2381	9325	4546	28	4.92E-03	GST14 - 3A □□□ 090C22 MDFKA□□ 090-22 60
1382	24	3.5	69.042	3774	9325	2771	9325	4917	24	4.75E-03	GST14 - 3A □□□ 090C22 MDFKA□□ 090-22 60
1570	21	3.5	78.457	4289	9325	3149	9325	5587	21	4.74E-03	GST14 - 3A □□□ 090C22 MDFKA□□ 090-22 60
1884	18	2.9	93.541	5113	9325	3755	9325	5524	18	4.26E-03	GST14 - 3A □□□ 090C22 MDFKA□□ 090-22 60
1935	17	3.0	96.157	5256	9325	3860	9325	5882	17	4.64E-03	GST14 - 3A □□□ 090C22 MDFKA□□ 090-22 60
2145	16	2.7	106.296	5811	9325	4267	9325	5920	16	4.25E-03	GST14 - 3A □□□ 090C22 MDFKA□□ 090-22 60
2643	13	2.2	130.278	7122	9325	5229	9325	5920	13	4.20E-03	GST14 - 3A □□□ 090C22 MDFKA□□ 090-22 60
2830	12	2.0	139.211	7610	9325	5588	9325	5736	12	4.04E-03	GST14 - 3A □□□ 090C22 MDFKA□□ 090-22 60
3222	11	1.8	158.194	8648	9325	6350	9325	5920	11	4.04E-03	GST14 - 3A □□□ 090C22 MDFKA□□ 090-22 60
3491	9.8	1.7	171.111	8880	9325	6868	9325	5920	9.8	4.15E-03	GST14 - 3A □□□ 090C22 MDFKA□□ 090-22 60
4188	8.2	1.4	204.722	8880	9325	8217	9325	5920	8.2	3.89E-03	GST14 - 3A □□□ 090C22 MDFKA□□ 090-22 60
4852	7.1	1.2	236.622	8668	9325	8668	9325	5779	7.1	3.87E-03	GST14 - 3A □□□ 090C22 MDFKA□□ 090-22 60
5097	6.8	1.2	248.458	8880	9325	8880	9325	5920	6.8	3.81E-03	GST14 - 3A □□□ 090C22 MDFKA□□ 090-22 60
5521	6.3	1.1	268.889	8880	9325	8880	9325	5920	6.3	3.87E-03	GST14 - 3A □□□ 090C22 MDFKA□□ 090-22 60

Observe the notes for thermal dimensioning.

Selection tables - Helical gearboxes

Forced ventilated asynchronous geared servo motors



M ₂ [Nm]	n _{2 trans} [rpm]	c	i	M _{2 max} short-time on geared motor at				M _{2 Gr} gearbox c=1 n ₁ ≤ 1400 rpm [Nm]	n _{2 therm} [rpm]	J _{GM} referred to motor shaft [kgm ²]	Servo helical-geared motor Dimensions on Page 3-99
				8 kHz		16 kHz					
				M _{2 max} [Nm]	Type EVS	M _{2 max} [Nm]	Type EVS				
700	87	4.8	40.185	1947	9326	1713	9327	4099	77	6.04E-03	GST14 - 3A □□□ 090C22 MDFKA□□ 090-22 120
743	82	4.7	42.580	2063	9326	1815	9327	3804	73	5.43E-03	GST14 - 3A □□□ 090C22 MDFKA□□ 090-22 120
845	72	4.7	48.386	2344	9326	2062	9327	4323	64	5.41E-03	GST14 - 3A □□□ 090C22 MDFKA□□ 090-22 120
928	65	4.7	53.148	2575	9326	2265	9327	4779	59	5.65E-03	GST14 - 3A □□□ 090C22 MDFKA□□ 090-22 120
1043	59	4.0	59.321	2874	9326	2528	9327	4546	52	4.92E-03	GST14 - 3A □□□ 090C22 MDFKA□□ 090-22 120
1218	50	3.7	69.042	3345	9326	2943	9327	4917	45	4.75E-03	GST14 - 3A □□□ 090C22 MDFKA□□ 090-22 120
1384	44	3.7	78.457	3801	9326	3344	9327	5587	40	4.74E-03	GST14 - 3A □□□ 090C22 MDFKA□□ 090-22 120
1661	37	3.1	93.541	4532	9326	3987	9327	5524	33	4.26E-03	GST14 - 3A □□□ 090C22 MDFKA□□ 090-22 120
1706	36	3.2	96.157	4659	9326	4099	9327	5882	32	4.64E-03	GST14 - 3A □□□ 090C22 MDFKA□□ 090-22 120
1891	33	2.9	106.296	5150	9326	4531	9327	5920	29	4.25E-03	GST14 - 3A □□□ 090C22 MDFKA□□ 090-22 120
2331	27	2.4	130.278	6312	9326	5553	9327	5920	24	4.20E-03	GST14 - 3A □□□ 090C22 MDFKA□□ 090-22 120
2497	25	2.2	139.211	6745	9326	5934	9327	5736	22	4.04E-03	GST14 - 3A □□□ 090C22 MDFKA□□ 090-22 120
2844	22	2.0	158.194	7665	9326	6743	9327	5920	20	4.04E-03	GST14 - 3A □□□ 090C22 MDFKA□□ 090-22 120
3081	20	1.8	171.111	8291	9326	7293	9327	5920	18	4.15E-03	GST14 - 3A □□□ 090C22 MDFKA□□ 090-22 120
3697	17	1.5	204.722	8880	9326	8726	9327	5920	15	3.89E-03	GST14 - 3A □□□ 090C22 MDFKA□□ 090-22 120
4284	15	1.3	236.622	8668	9326	8668	9327	5779	13	3.87E-03	GST14 - 3A □□□ 090C22 MDFKA□□ 090-22 120
4500	14	1.2	248.458	8880	9326	8880	9327	5920	13	3.81E-03	GST14 - 3A □□□ 090C22 MDFKA□□ 090-22 120
4875	13	1.2	268.889	8880	9326	8880	9327	5920	12	3.87E-03	GST14 - 3A □□□ 090C22 MDFKA□□ 090-22 120
1362	42	3.2	40.185	1924	9325	2323	9326	4476	42	9.64E-03	GST14 - 3A □□□ 100C22 MDFKA□□ 100-22 60
1448	40	2.9	42.580	2039	9325	2462	9326	4262	40	9.03E-03	GST14 - 3A □□□ 100C22 MDFKA□□ 100-22 60
1645	35	2.9	48.386	2317	9325	2798	9326	4843	35	9.01E-03	GST14 - 3A □□□ 100C22 MDFKA□□ 100-22 60
1813	32	2.6	53.148	2545	9325	3073	9326	4779	32	9.25E-03	GST14 - 3A □□□ 100C22 MDFKA□□ 100-22 60
2024	29	2.6	59.321	2840	9325	3430	9326	5267	29	8.52E-03	GST14 - 3A □□□ 100C22 MDFKA□□ 100-22 60
2369	25	2.1	69.042	3306	9325	3992	9326	4917	25	8.35E-03	GST14 - 3A □□□ 100C22 MDFKA□□ 100-22 60
2692	22	2.1	78.457	3756	9325	4536	9326	5587	22	8.34E-03	GST14 - 3A □□□ 100C22 MDFKA□□ 100-22 60
3221	18	1.7	93.541	4479	9325	5408	9326	5524	18	7.86E-03	GST14 - 3A □□□ 100C22 MDFKA□□ 100-22 60
3309	18	1.8	96.157	4604	9325	5560	9326	5882	18	8.24E-03	GST14 - 3A □□□ 100C22 MDFKA□□ 100-22 60
3664	16	1.6	106.296	5089	9325	6146	9326	5920	16	7.85E-03	GST14 - 3A □□□ 100C22 MDFKA□□ 100-22 60
4505	13	1.3	130.278	6238	9325	7532	9326	5920	13	7.80E-03	GST14 - 3A □□□ 100C22 MDFKA□□ 100-22 60
4820	12	1.2	139.211	6665	9325	8049	9326	5736	12	7.64E-03	GST14 - 3A □□□ 100C22 MDFKA□□ 100-22 60
5483	11	1.1	158.194	7574	9325	8880	9326	5920	11	7.64E-03	GST14 - 3A □□□ 100C22 MDFKA□□ 100-22 60
1357	87	2.8	40.185	2596	9327	2458	9328	4476	61	9.64E-03	GST14 - 3A □□□ 100C22 MDFKA□□ 100-22 120
1438	82	2.8	42.580	2751	9327	2604	9328	4262	58	9.03E-03	GST14 - 3A □□□ 100C22 MDFKA□□ 100-22 120
1634	73	2.8	48.386	3126	9327	2959	9328	4843	51	9.01E-03	GST14 - 3A □□□ 100C22 MDFKA□□ 100-22 120

Observe the notes for thermal dimensioning.

Selection tables - Helical gearboxes

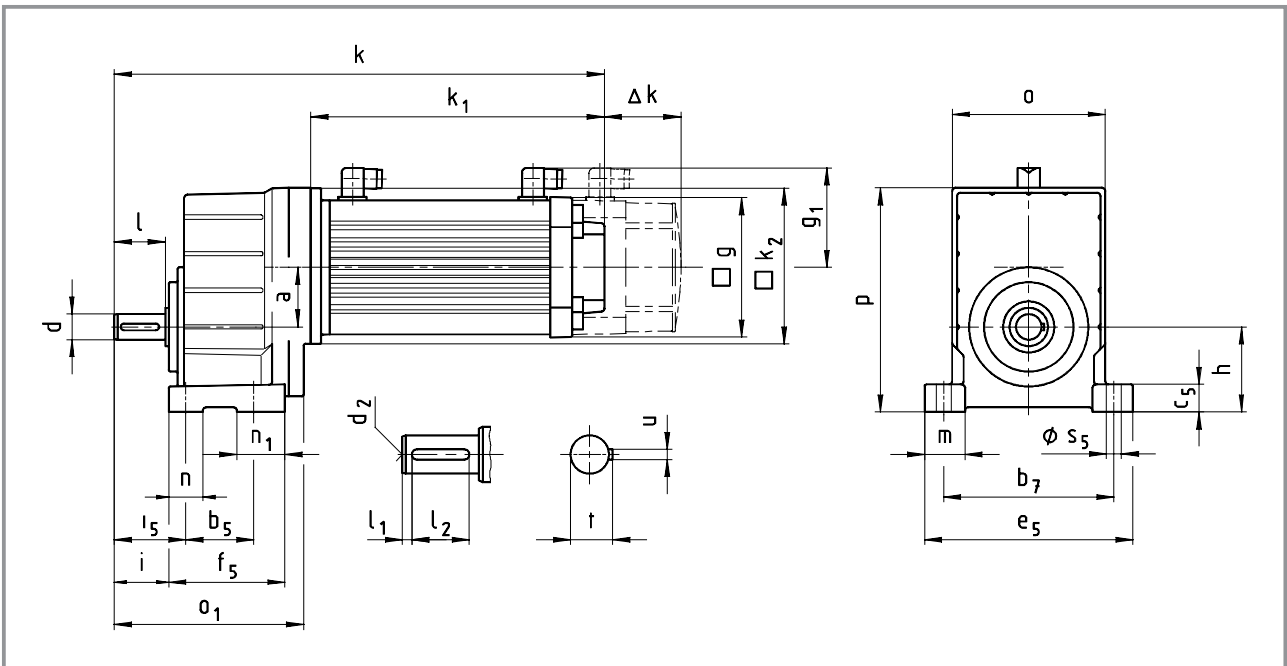
Forced ventilated asynchronous geared servo motors

M ₂ [Nm]	n ₂ trans [rpm]	c	i	M ₂ max short-time on geared motor at				M ₂ Gr gearbox c=1 n ₁ ≤ 1400 rpm [Nm]	n ₂ therm [rpm]	J _{GM} referred to motor shaft [kgm ²]	Servo helical- geared motor Dimensions on Page 3-99
				8 kHz		16 kHz					
				M ₂ max [Nm]	Type EVS	M ₂ max [Nm]	Type EVS				
1800	66	2.5	53.148	3434	9327	3251	9328	4779	46	9.25E-03	GST14 - 3A □□□ 100C22 MDFKA□□ 100-22 120
2010	59	2.4	59.321	3832	9327	3628	9328	5267	41	8.52E-03	GST14 - 3A □□□ 100C22 MDFKA□□ 100-22 120
2351	51	2.0	69.042	4460	9327	4223	9328	4917	35	8.35E-03	GST14 - 3A □□□ 100C22 MDFKA□□ 100-22 120
2672	45	2.0	78.457	5069	9327	4799	9328	5587	31	8.34E-03	GST14 - 3A □□□ 100C22 MDFKA□□ 100-22 120
3197	38	1.6	93.541	6043	9327	5721	9328	5524	26	7.86E-03	GST14 - 3A □□□ 100C22 MDFKA□□ 100-22 120
3284	37	1.7	96.157	6212	9327	5881	9328	5882	25	8.24E-03	GST14 - 3A □□□ 100C22 MDFKA□□ 100-22 120
3637	33	1.5	106.296	6867	9327	6501	9328	5920	23	7.85E-03	GST14 - 3A □□□ 100C22 MDFKA□□ 100-22 120
4470	27	1.3	130.278	8416	9327	7968	9328	5920	19	7.80E-03	GST14 - 3A □□□ 100C22 MDFKA□□ 100-22 120
4783	25	1.1	139.211	8604	9327	8515	9328	5736	18	7.64E-03	GST14 - 3A □□□ 100C22 MDFKA□□ 100-22 120
5441	22	1.0	158.194	8880	9327	8880	9328	5920	15	7.64E-03	GST14 - 3A □□□ 100C22 MDFKA□□ 100-22 120
2336	43	1.9	40.185	3998	9326	5258	9328	4476	43	2.04E-02	GST14 - 3A □□□ 112C22 MDFKA□□ 112-22 60
2480	40	1.7	42.580	4236	9326	5571	9328	4262	40	1.98E-02	GST14 - 3A □□□ 112C22 MDFKA□□ 112-22 60
2818	35	1.7	48.386	4814	9326	6330	9328	4843	35	1.98E-02	GST14 - 3A □□□ 112C22 MDFKA□□ 112-22 60
3101	32	1.5	53.148	5288	9326	6953	9328	4779	32	2.01E-02	GST14 - 3A □□□ 112C22 MDFKA□□ 112-22 60
3462	29	1.5	59.321	5902	9326	7761	9328	5267	29	1.93E-02	GST14 - 3A □□□ 112C22 MDFKA□□ 112-22 60
4042	25	1.2	69.042	6869	9326	7375	9328	4917	25	1.92E-02	GST14 - 3A □□□ 112C22 MDFKA□□ 112-22 60
4593	22	1.2	78.457	7805	9326	8381	9328	5587	22	1.91E-02	GST14 - 3A □□□ 112C22 MDFKA□□ 112-22 60
5640	18	1.0	96.157	8823	9326	8823	9328	5882	18	1.90E-02	GST14 - 3A □□□ 112C22 MDFKA□□ 112-22 60
2094	88	1.8	40.185	4136	9328	5131	9330	4476	50	2.04E-02	GST14 - 3A □□□ 112C22 MDFKA□□ 112-22 120
2219	83	1.8	42.580	4383	9328	5437	9330	4262	47	1.98E-02	GST14 - 3A □□□ 112C22 MDFKA□□ 112-22 120
2522	73	1.8	48.386	4980	9328	6178	9330	4843	42	1.98E-02	GST14 - 3A □□□ 112C22 MDFKA□□ 112-22 120
2775	66	1.6	53.148	5470	9328	6786	9330	4779	38	2.01E-02	GST14 - 3A □□□ 112C22 MDFKA□□ 112-22 120
3098	59	1.6	59.321	6106	9328	7574	9330	5267	34	1.93E-02	GST14 - 3A □□□ 112C22 MDFKA□□ 112-22 120
3618	51	1.3	69.042	7106	9328	7375	9330	4917	29	1.92E-02	GST14 - 3A □□□ 112C22 MDFKA□□ 112-22 120
4112	45	1.3	78.457	8075	9328	8381	9330	5587	26	1.91E-02	GST14 - 3A □□□ 112C22 MDFKA□□ 112-22 120
5049	37	1.1	96.157	8823	9328	8823	9330	5882	21	1.90E-02	GST14 - 3A □□□ 112C22 MDFKA□□ 112-22 120

Observe the notes for thermal dimensioning.

Dimensions - Helical gearboxes

Geared servo motors with resolver



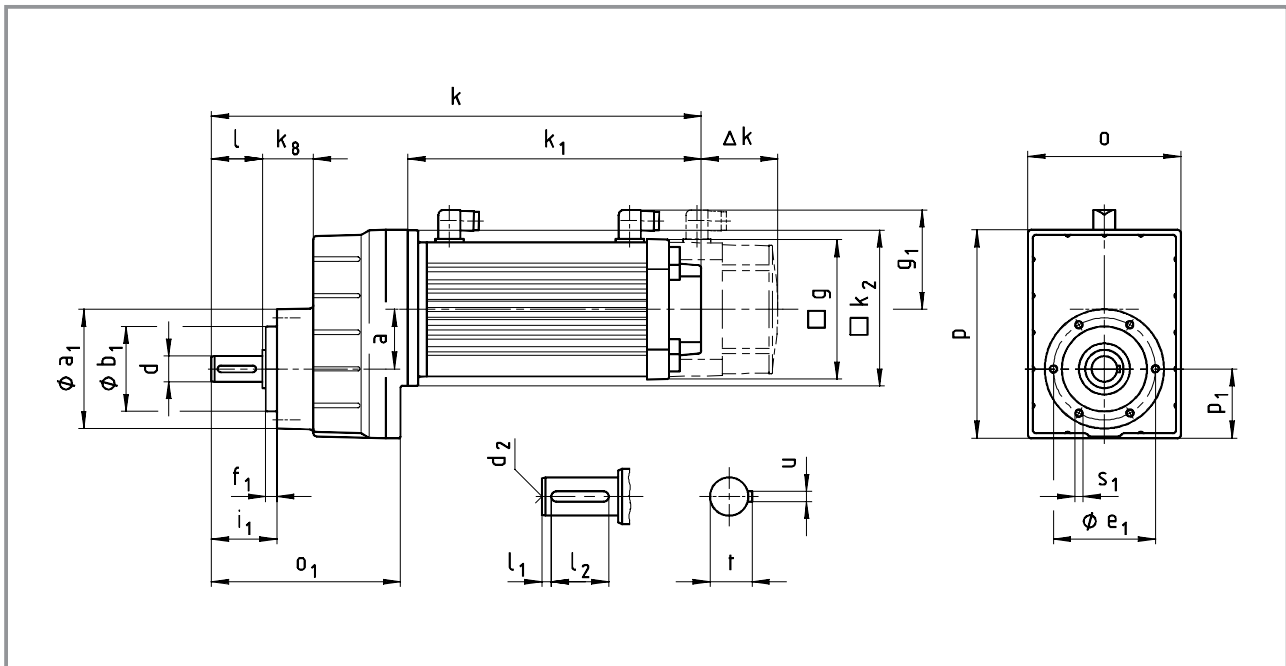
Geared servo motor		S (synchronous servo motors)					A (asynchronous servo motors)											
GST□□ - 1^A_S VBR		056		071			056	071	080	090	100	112						
		C23	C33	C03	C13	C33	C22	C22	C22	C22	C22	C22						
Motor	g	102	102	131	131	131	102	131	142	165	192	214						
	g ₁	90	90	102	102	102	90	102	109	118	136	147						
	k ₂	145	145	145	145	145	145	145	180	180	222	265						
	k ₁ naturally ventilated	207	242	215	250	285	258	267	307	346	408	479						
	Δk** forced ventilated+brake	27	27	35	35	35	25	35	33	35	38	42						
	forced ventilated	-	-	68	68	68	-	68	62	89	97	96						
	forced ventilated+brake	-	-	103	103	103	-	103	95	124	135	138						
Gearbox size	Gearbox					Overall length												
	o*	o ₁	p*	h	a	k												
04	100	134	138	50	36	355	390	364	399	434	407	415						
05	115	165	168	63	45	376	411	385	420	455	428	436	486					
06	145	191	211	80	56	399	434	408	443	478	451	459	509	548				
07	180	223	264	100	70	428	463	437	472	507	480	488	538	577	646	724		
09	222	271	329	125	89								581	620	689	767		

Gearbox size	Solid shaft								Foot									
	d k6	l	l ₁	l ₂	d ₂	u	t	b ₅	b ₇	c ₅	e ₅	f ₅	i	i ₅	m	n	n ₁	s ₅
04	16	32	6	20	M5	5	18	55	105	17	128	80	35	45	24	20	25	9
05	20	40	6	28	M6	6	22.5	70	125	22	154	99	43	56	32	26	29	11
06	25	50	4	40	M10	8	28	72	160	27	194	115	53	68	37	30	43	13.5
07	30	60	7.5	45	M10	8	33	80	200	35	245	137	64	84	47.5	40	57	18
09	40	80	8.5	63	M16	12	43	105	245	43	296	161	84	107	50.5	45	56	18

Dimensions in [mm] * Observe dimension k₂.
 ** See page 8-34 for more built-on accessories for motors

Dimensions - Helical gearboxes

Geared servo motors with resolver



3

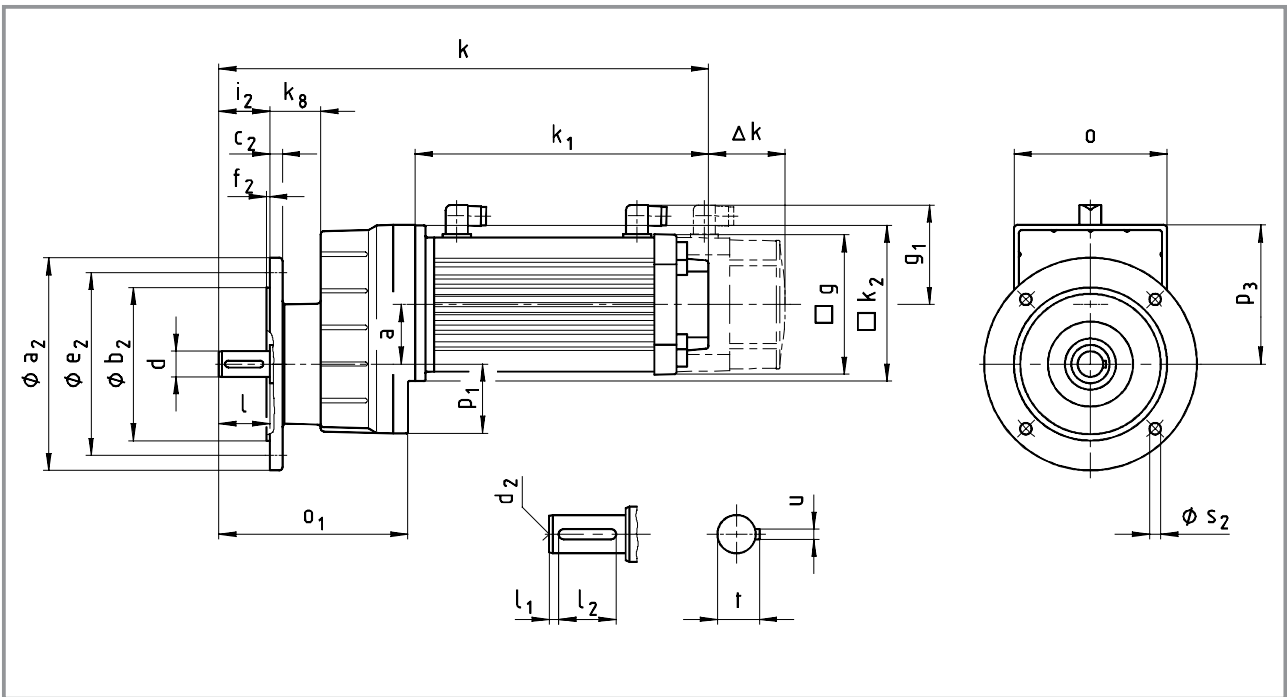
Geared servo motor		S (synchronous servo motors)					A (asynchronous servo motors)										
GST□□ - 1 A S VCR		056		071			056	071	080	090	100	112					
		C23	C33	C03	C13	C33	C22	C22	C22	C22	C22	C22					
Motor	g	102	102	131	131	131	102	131	142	165	192	214					
	g ₁	90	90	102	102	102	90	102	109	118	136	147					
	k ₂	145	145	145	145	145	145	145	180	180	222	265					
	k ₁	naturally ventilated	207	242	215	250	285	258	267	307	346	408	479				
	Δk**	naturally ventilated+brake	27	27	35	35	35	25	35	33	35	38	42				
	forced ventilated	-	-	68	68	68	-	68	62	89	97	96					
	forced ventilated+brake	-	-	103	103	103	-	103	95	124	135	138					
Gearbox size	Gearbox						Overall length										
	o*	o ₁	p*	p ₁	a	k ₈	k										
04	100	134	129	41	36	35	355	390	364	399	434	407	415				
05	115	165	156	51	45	43	376	411	385	420	455	428	436	486			
06	145	191	194	63	56	48	399	434	408	443	478	451	459	509	548		
07	180	223	245	82	70	60	428	463	437	472	507	480	488	538	577	646	724
09	222	271	304	101	89	74								581	620	689	767

Gearbox size	Solid shaft								Pitch circle					
	d k6	l	l ₁	l ₂	d ₂	u	t	a ₁	b ₁ h7	e ₁	f ₁	i ₁	s ₁ 6 x 60°	
04	16	32	6	20	M5	5	18	72	48	61	8	43	M5x10	
05	20	40	6	28	M6	6	22.5	88	58	74	9	52	M6x12	
06	25	50	4	40	M10	8	28	109	70	90	11	64	M8x14	
07	30	60	7.5	45	M10	8	33	140	100	120	13	77	M10x18	
09	40	80	8.5	63	M16	12	43	174	120	145	15	100	M12x20	

Dimensions in [mm] * Observe dimension k₂.
 ** See page 8-34 for more built-on accessories for motors

Dimensions - Helical gearboxes

Geared servo motors with resolver



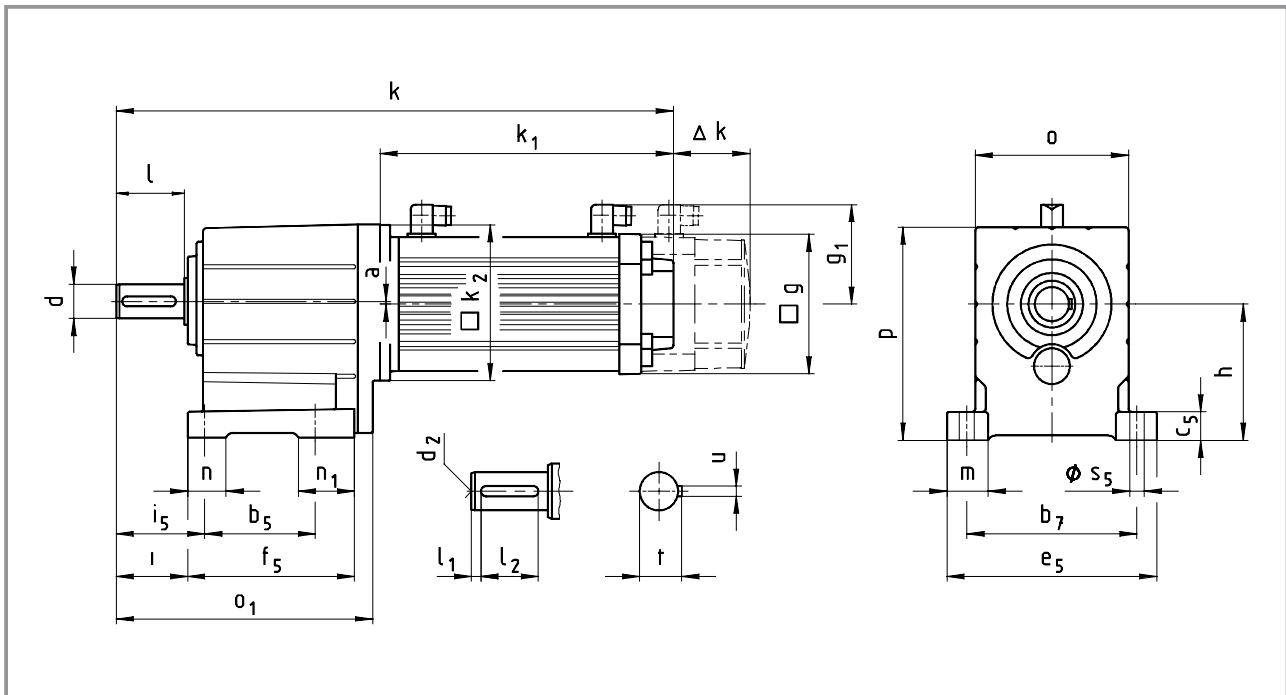
Geared servo motor		S (synchronous servo motors)					A (asynchronous servo motors)										
GST□□ - 1^A S VCK		056		071			056	071	080	090	100	112					
		C23	C33	C03	C13	C33	C22	C22	C22	C22	C22	C22					
Motor	g	102	102	131	131	131	102	131	142	165	192	214					
	g ₁	90	90	102	102	102	90	102	109	118	136	147					
	k ₂	145	145	145	145	145	145	145	180	180	222	265					
	k ₁ naturally ventilated	207	242	215	250	285	258	267	307	346	408	479					
	Δk** naturally ventilated+brake	27	27	35	35	35	25	35	33	35	38	42					
	forced ventilated	-	-	68	68	68	-	68	62	89	97	96					
	forced ventilated+brake	-	-	103	103	103	-	103	95	124	135	138					
Gearbox size	Gearbox						Overall length k										
	o*	o ₁	p ₁	p ₃ *	a	k ₈											
04	100	134	41	88	36	35	355	390	364	399	434	407	415				
05	115	165	51	105	45	43	376	411	385	420	455	428	436	486			
06	145	191	63	131	56	48	399	434	408	443	478	451	459	509	548		
07	180	223	82	164	70	60	428	463	437	472	507	480	488	538	577	646	724
09	222	271	101	204	89	74								581	620	689	767

Gearbox size	Solid shaft							Output flange						
	d k6	l	l ₁	l ₂	d ₂	u	t	a ₂	b ₂ j7	c ₂	e ₂	f ₂	i ₂	s ₂ 4 x 90°
04	16	32	6	20	M5	5	18	120	80	10	100	3	32	7
								140	95		115	3		9
								160	110		130	3.5		9
05	20	40	6	28	M6	6	22.5	120	80	10	100	3	40	7
								140	95	10	115	3		9
								160	110	10	130	3.5		9
								200	130	12	165	3.5		11
06	25	50	4	40	M10	8	28	160	110	12	130	3.5	50	9
								200	130		165		11	
07	30	60	7.5	45	M10	8	33	200	130	14	165	3.5	60	11
								250	180	15	215	4		13.5
09	40	80	8.5	63	M16	12	43	250	180	16	215	4	80	13.5
								300	230	18	265			

Dimensions in [mm] * Observe dimension k₂.
 ** See page 8-34 for more built-on accessories for motors

Dimensions - Helical gearboxes

Geared servo motors with resolver



Geared servo motor		S (synchronous servo motors)					A (asynchronous servo motors)									
GST□□ - 2 ^A _S VBR		056		071			056	071	080	090	100	112				
		C23	C33	C03	C13	C33	C22	C22	C22	C22	C22	C22				
Motor	g	102	102	131	131	131	102	131	142	165	192	214				
	g ₁	90	90	102	102	102	90	102	109	118	136	147				
	k ₂	145	145	145	145	145	145	145	180	180	222	265				
	k ₁ naturally ventilated	207	242	215	250	285	258	267	307	346	408	479				
	Δk** naturally ventilated+brake	27	27	35	35	35	25	35	33	35	38	42				
	forced ventilated	-	-	68	68	68	-	68	62	89	97	96				
	forced ventilated+brake	-	-	103	103	103	-	103	95	124	135	138				
Gearbox size	Gearbox					Overall length										
	o*	o ₁	p*	h	a	k										
04	100	174	132	80	0	395	430	404	439	474	447	455				
05	115	214	159	100	1	425	460	434	469	504	477	485	535			
06	145	243	198	125	2	451	486	460	495	530	503	511	561	600		
07	180	302	251	160	3	507	542	516	551	586	559	567	617	656	725	803
09	222	370	311	200	4								680	719	788	866
11	270	433	385	250	4								737	776	845	923
14	328	533	479	315	6										935	1013

Gearbox size	Solid shaft								Foot									
	d	l	l ₁	l ₂	d ₂	u	t	b ₅	b ₇	c ₅	e ₅	f ₅	i	i ₅	m	n	n ₁	s ₅
04	20	40	5	28	M6	6	22.5	76	105	18	129	112	43	53	24.5	20	36	9
05	25	50	4	40	M10	8	28	90	125	23	155	139	53	66	32.5	26	49	11
06	30	60	6	45	M10	8	33	106	160	28	196	157	64	79	38	35	52	13.5
07	40	80	7	63	M16	12	43	130	200	34	247	196	84	104	48.5	45	66	18
09	50	100	8	80	M16	14	53.5	165	245	44	298	239	105	127.5	54	48	74	18
11	60	120	8	100	M20	18	64	200	300	54	368	280	125	155	69	65	80	22
14	80	160	15	125	M20	22	85	250	380	65	460	340	165	200	85	85	91	26

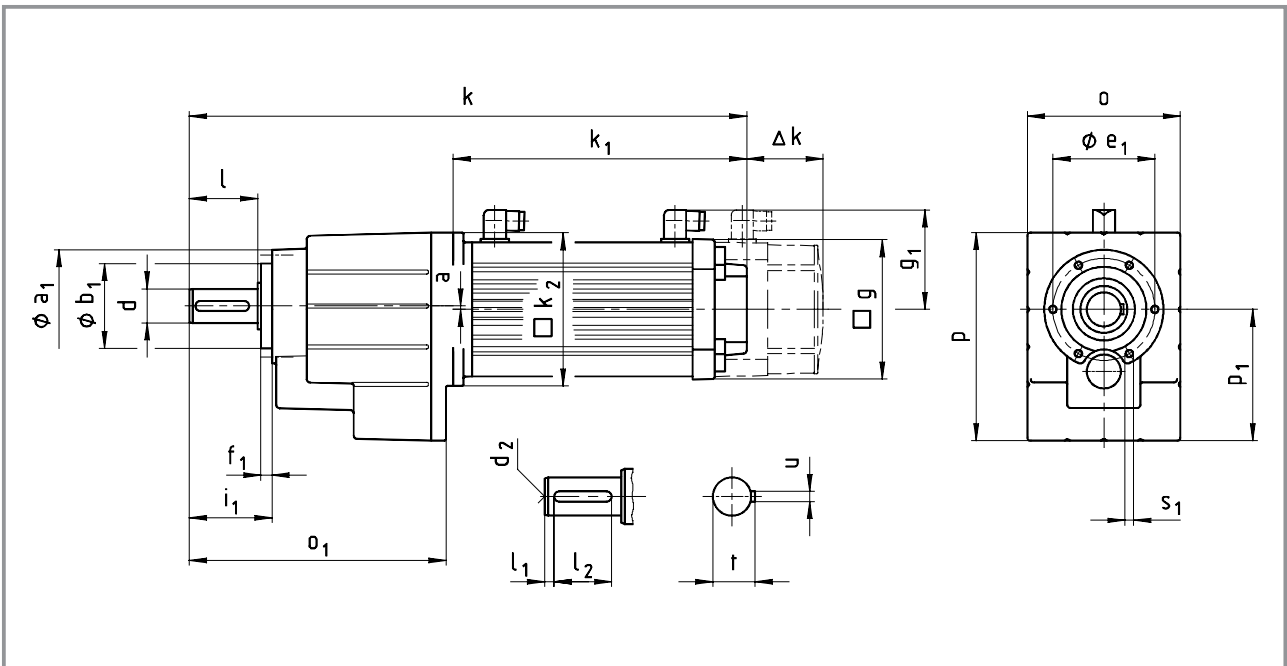
Dimensions in [mm] d ≤ 50 mm: k6
d > 50 mm: m6

* Observe dimension k₂

** See page 8-34 for more built-on accessories for motors

Dimensions - Helical gearboxes

Geared servo motors with resolver



Geared servo motor		S (synchronous servo motors)					A (asynchronous servo motors)									
GST□□ - 2 A S VCR		056		071			056	071	080	090	100	112				
		C23	C33	C03	C13	C33	C22	C22	C22	C22	C22	C22				
Motor	g	102	102	131	131	131	102	131	142	165	192	214				
	g ₁	90	90	102	102	102	90	102	109	118	136	147				
	k ₂	145	145	145	145	145	145	145	180	180	222	265				
	k ₁	naturally ventilated	207	242	215	250	285	258	267	307	346	408	479			
	Δk**	naturally ventilated+brake	27	27	35	35	35	25	35	33	35	38	42			
	forced ventilated	-	-	68	68	68	-	68	62	89	97	96				
	forced ventilated+brake	-	-	103	103	103	-	103	95	124	135	138				
Gearbox size	Gearbox					Overall length										
	o*	o ₁	p*	p ₁	a	k										
04	100	174	129	77	0	395	430	404	439	474	447	455				
05	115	214	156	98	1	425	460	434	469	504	477	485	535			
06	145	243	194	121	2	451	486	460	495	530	503	511	561	600		
07	180	302	245	155	3	507	542	516	551	586	559	567	617	656	725	803
09	222	370	304	194	4								680	719	788	866
11	270	433	378	243	4								737	776	845	923
14	328	533	470	306	6										935	1013

Gearbox size	Solid shaft							Pitch circle					
	d	l	l ₁	l ₂	d ₂	u	t	a ₁	b ₁ j7	e ₁	f ₁	i ₁	s ₁ 6 x 60°
04	20	40	5	28	M6	6	22.5	72	48	61	8	51	M5x10
05	25	50	4	40	M10	8	28	88	58	74	9	62	M6x12
06	30	60	6	45	M10	8	33	109	70	90	10	74	M8x14
07	40	80	7	63	M16	12	43	140	100	120	13	97	M10x18
09	50	100	8	80	M16	14	53.5	174	120	145	15	120	M12x20
11	60	120	8	100	M20	18	64	215	150	185	18	143	M16x26
14	80	160	15	125	M20	22	85	265	195	230	22	187	M20x34

Dimensions in [mm]

d ≤ 50 mm: k6
d > 50 mm: m6

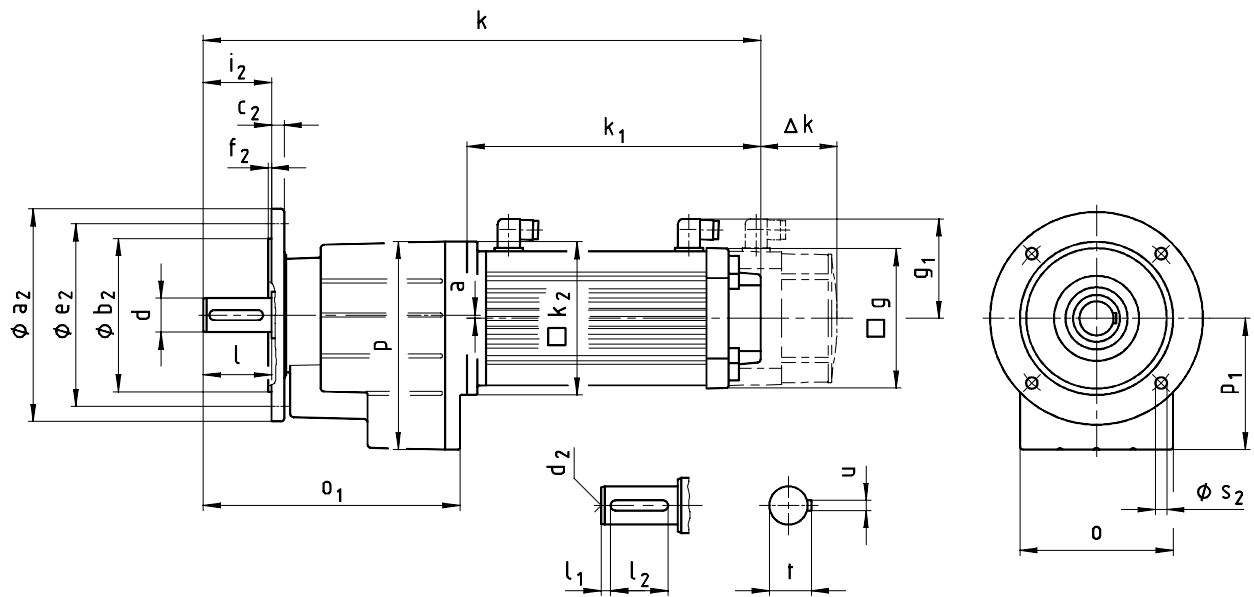
* Observe dimension k₂

** See page 8-34 for more built-on accessories for motors

Dimensions - Helical gearboxes

Geared servo motors with resolver

GST□□ - 2 $\frac{A}{S}$ VCK



Dimensions - Helical gearboxes

Geared servo motors with resolver



Geared servo motor GST□□ - 2 ^A _S VCK		S (synchronous servo motors)					A (asynchronous servo motors)									
		056		071			056	071	080	090	100	112				
		C23	C33	C03	C13	C33	C22	C22	C22	C22	C22	C22				
Motor	g	102	102	131	131	131	102	131	142	165	192	214				
	g ₁	90	90	102	102	102	90	102	109	118	136	147				
	k ₂	145	145	145	145	145	145	145	180	180	222	265				
	k ₁ naturally ventilated	207	242	215	250	285	258	267	307	346	408	479				
	Δk** naturally ventilated+brake	27	27	35	35	35	25	35	33	35	38	42				
	forced ventilated	-	-	68	68	68	-	68	62	89	97	96				
	forced ventilated+brake	-	-	103	103	103	-	103	95	124	135	138				
Gearbox size	Gearbox					Overall length k										
	o°	o ₁	p*	p ₁	a											
04	100	174	129	77	0	395	430	404	439	474	447	455				
05	115	214	156	98	1	425	460	434	469	504	477	485	535			
06	145	243	194	121	2	451	486	460	495	530	503	511	561	600		
07	180	302	245	155	3	507	542	516	551	586	559	567	617	656	725	803
09	222	370	304	194	4								680	719	788	866
11	270	433	378	243	4								737	776	845	923
14	328	533	470	306	6										935	1013

Gearbox size	Solid shaft							Output flange						
	d k6	l	l ₁	l ₂	d ₂	u	t	a ₂	b ₂ j7	c ₂	e ₂	f ₂	i ₂	s ₂ 4 x 90°
04	20	40	5	28	M6	6	22.5	120	80	10	100	3	40	7
								140	95		115	3		9
								160	110		130	3.5		9
05	25	50	4	40	M10	8	28	120	80	10	100	3	50	7
								140	95		115	3		9
								160	110		130	3.5		9
								200	130		165	3.5		11
06	30	60	6	45	M10	8	33	160	110	12	130	3.5	60	9
								200	130		165	3.5		11
07	40	80	7	63	M16	12	43	200	130	14	165	3.5	80	11
								250	180		215	4		14
09	50	100	8	80	M16	14	53.5	250	180	16	215	4	100	14
								300	230		265	4		14
11	60	120	8	100	M20	18	64	300	230	18	265	4	120	14
								350	250		300	5		18
14	80	160	15	125	M20	22	85	350	250	22	300	5	160	18
								400	300		350	5		18

Dimensions in [mm]

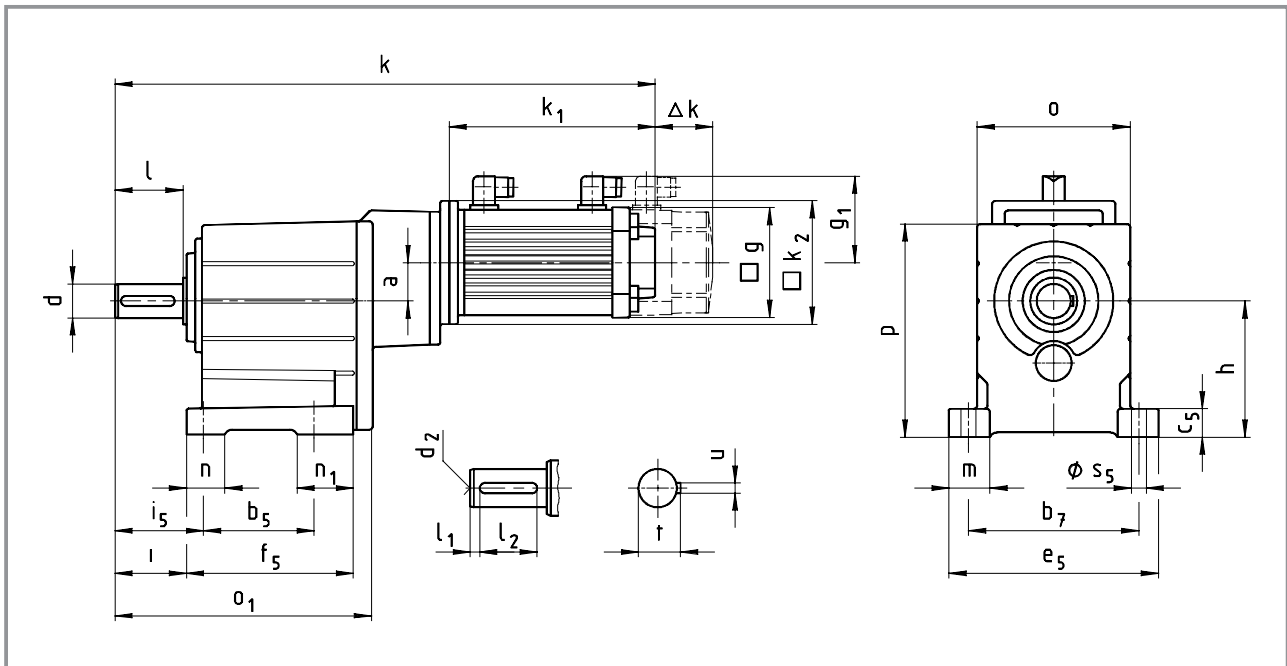
d ≤ 50 mm: k6
d > 50 mm: m6

* Observe dimension k2

** See page 8-34 for more built-on accessories for motors

Dimensions - Helical gearboxes

Geared servo motors with resolver



Geared servo motor		S (synchronous servo motors)					A (asynchronous servo motors)											
GST□□ - 3^A_S VBR		056		071			056	071	080	090	100	112						
		C23	C33	C03	C13	C33	C22	C22	C22	C22	C22	C22						
Motor	g	102	102	131	131	131	102	131	142	165	192	214						
	g ₁	90	90	102	102	102	90	102	109	118	136	147						
	k ₂	145	145	145	145	145	145	145	180	180	222	265						
	k ₁ naturally ventilated	207	242	215	250	285	258	267	307	346	408	479						
	Δk** forced ventilated+brake	27	27	35	35	35	25	35	33	35	38	42						
	forced ventilated	-	-	68	68	68	-	68	62	89	97	96						
	forced ventilated+brake	-	-	103	103	103	-	103	95	124	135	138						
Gearbox size	Gearbox					Overall length												
	o*	o ₁	p*	h	a	k												
05	115	208	159	100	35	502	537	510	545	580	553	562						
06	145	240	198	125	34	545	580	553	588	623	596	605						
07	180	302	251	160	42	612	647	620	655	690	663	672	722					
09	222	370	311	200	52	693	728	701	736	771	744	753	803	842				
11	270	433	385	250	66	769	804	777	812	847	820	829	879	918	986	1065		
14	328	533	479	315	83								1003	1042	1110	1189		

Gearbox size	Solid shaft								Foot									
	d	l	l ₁	l ₂	d ₂	u	t	b ₅	b ₇	c ₅	e ₅	f ₅	i	i ₅	m	n	n ₁	s ₅
05	25	50	4	40	M10	8	28	90	125	23	155	139	53	66	32.5	26	49	11
06	30	60	6	45	M10	8	33	106	160	28	196	157	64	79	38	35	52	13.5
07	40	80	7	63	M16	12	43	130	200	34	247	196	84	104	48.5	45	66	18
09	50	100	8	80	M16	14	53.5	165	245	44	298	239	105	127.5	54	48	74	18
11	60	120	8	100	M20	18	64	200	300	54	368	280	125	155	69	65	80	22
14	80	160	15	125	M20	22	85	250	380	65	460	340	165	200	85	85	91	26

Dimensions in [mm]

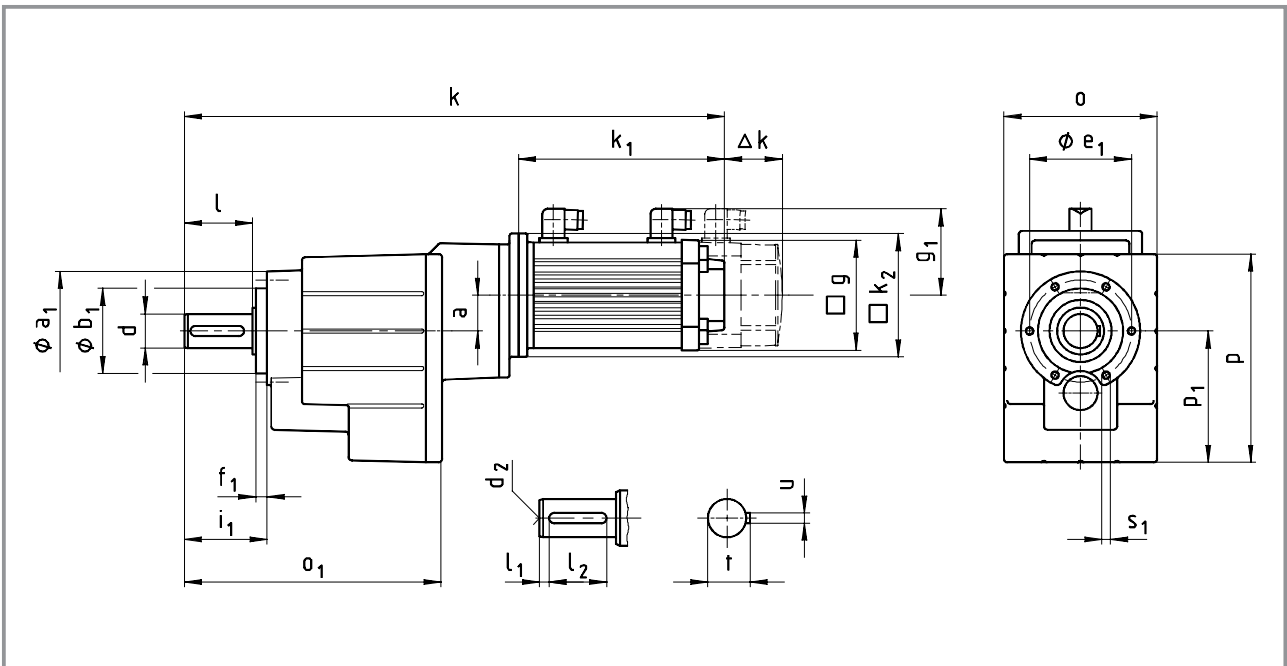
d ≤ 50 mm: k6
d > 50 mm: m6

* Observe dimension k₂

** See page 8-34 for more built-on accessories for motors

Dimensions - Helical gearboxes

Geared servo motors with resolver



Geared servo motor		S (synchronous servo motors)					A (asynchronous servo motors)									
GST□□ - 3 ^A _S VCR		056		071			056	071	080	090	100	112				
		C23	C33	C03	C13	C33	C22	C22	C22	C22	C22	C22				
Motor	g	102	102	131	131	131	102	131	142	165	192	214				
	g ₁	90	90	102	102	102	90	102	109	118	136	147				
	k ₂	145	145	145	145	145	145	145	180	180	222	265				
	k ₁ naturally ventilated	207	242	215	250	285	258	267	307	346	408	479				
	Δk** forced ventilated+brake	27	27	35	35	35	25	35	33	35	38	42				
	forced ventilated	-	-	68	68	68	-	68	62	89	97	96				
	forced ventilated+brake	-	-	103	103	103	-	103	95	124	135	138				
Gearbox size	Gearbox					Overall length										
	o*	o ₁	p*	p ₁	a	k										
05	115	208	156	98	35	502	537	510	545	580	553	562				
06	145	240	194	121	34	545	580	553	588	623	596	605				
07	180	302	245	155	42	612	647	620	655	690	663	672	722			
09	222	370	304	194	52	693	728	701	736	771	744	753	803	842		
11	270	433	378	243	66	769	804	777	812	847	820	829	879	918	986	1065
14	328	533	470	306	83								1003	1042	1110	1189

Gearbox size	d	l	l ₁	Solid shaft				Pitch circle						
				l ₂	d ₂	u	t	a ₁	b ₁ j7	e ₁	f ₁	i ₁	s ₁ 6 x 60°	
05	25	50	4	40	M10	8	28	88	58	74	9	62	M6x12	
06	30	60	6	45	M10	8	33	109	70	90	10	74	M8x14	
07	40	80	7	63	M16	12	43	140	100	120	13	97	M10x18	
09	50	100	8	80	M16	14	53.5	174	120	145	15	120	M12x20	
11	60	120	8	100	M20	18	64	215	150	185	18	143	M16x26	
14	80	160	15	125	M20	22	85	265	195	230	22	187	M20x34	

Dimensions in [mm]

d ≤ 50 mm: k6
d > 50 mm: m6

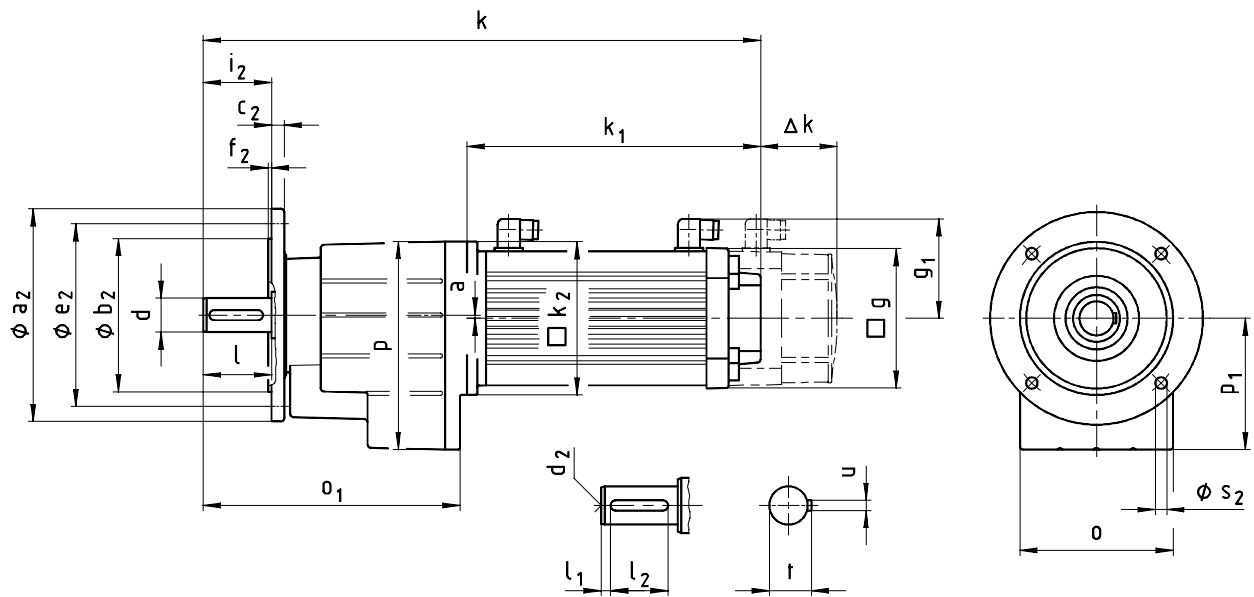
* Observe dimension k₂

** See page 8-34 for more built-on accessories for motors

Dimensions - Helical gearboxes

Geared servo motors with resolver

GST□□ - 3 $\frac{A}{S}$ VCK



Dimensions - Helical gearboxes

Geared servo motors with resolver



Geared servo motor GST□□ - 3 A S VCK		S (synchronous servo motors)					A (asynchronous servo motors)									
		056		071			056	071	080	090	100	112				
		C23	C33	C03	C13	C33	C22	C22	C22	C22	C22	C22				
g		102	102	131	131	131	102	131	142	165	192	214				
g ₁		90	90	102	102	102	90	102	109	118	136	147				
k ₂		145	145	145	145	145	145	145	180	180	222	265				
k ₁ naturally ventilated		207	242	215	250	285	258	267	307	346	408	479				
Δk** naturally ventilated+brake		27	27	35	35	35	25	35	33	35	38	42				
forced ventilated		-	-	68	68	68	-	68	62	89	97	96				
forced ventilated+brake		-	-	103	103	103	-	103	95	124	135	138				
Gearbox size	Gearbox					Overall length k										
	o°	o ₁	p*	p ₁	a											
05	115	208	156	98	35	502	537	510	545	580	553	562				
06	145	240	194	121	34	545	580	553	588	623	596	605				
07	180	302	245	155	42	612	647	620	655	690	663	672	722			
09	222	370	304	194	52	693	728	701	736	771	744	753	803	842		
11	270	433	378	243	66	769	804	777	812	847	820	829	879	918	986	1065
14	328	533	470	306	83								1003	1042	1110	1189

Gearbox size	Solid shaft								Output flange						
	d	l	l ₁	l ₂	d ₂	u	t	a ₂	b ₂ j7	c ₂	e ₂	f ₂	i ₂	s ₂ 4 x 90°	
05	25	50	4	40	M10	8	28	120	80	10	100	3	50	7	
								140	95	10	115	3		9	
								160	110	10	130	3.5		9	
								200	130	12	165	3.5		11	
06	30	60	6	45	M10	8	33	160	110	12	130	3.5	60	9	
								200	130	12	165	3.5		11	
07	40	80	7	63	M16	12	43	200	130	14	165	3.5	80	11	
								250	180	15	215	4		14	
09	50	100	8	80	M16	14	53.5	250	180	16	215	4	100	14	
								300	230	18	265	4		14	
11	60	120	8	100	M20	18	64	300	230	18	265	4	120	14	
								350	250	20	300	5		18	
14	80	160	15	125	M20	22	85	350	250	22	300	5	160	18	
								400	300	24	350	5		18	

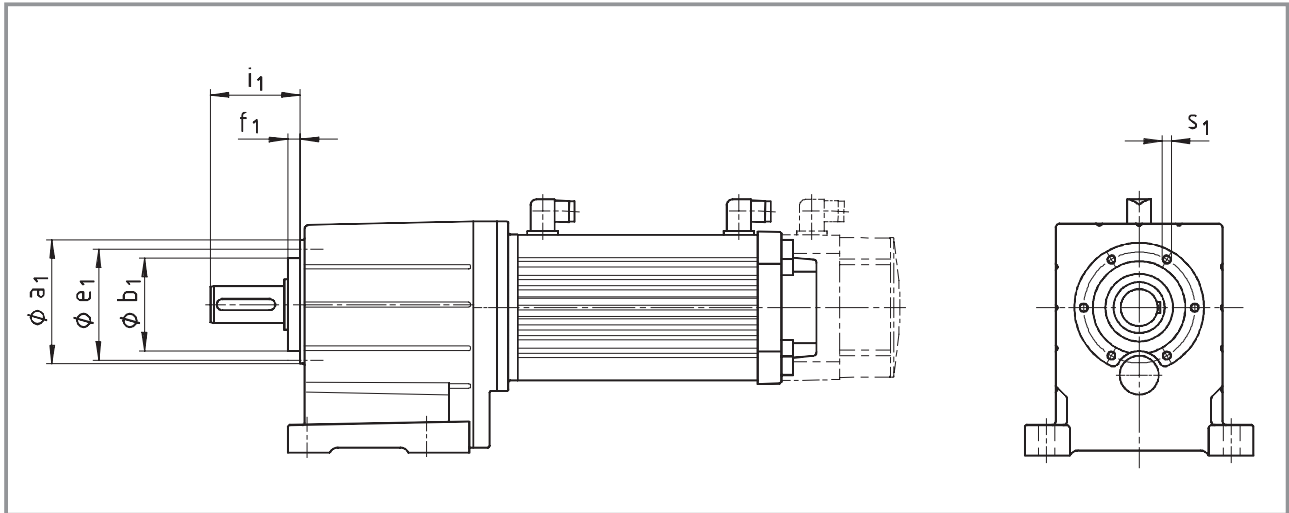
Dimensions in [mm]

d ≤ 50 mm: k6
d > 50 mm: m6

* Observe dimension k₂

** See page 8-34 for more built-on accessories for motors

Output design VAR



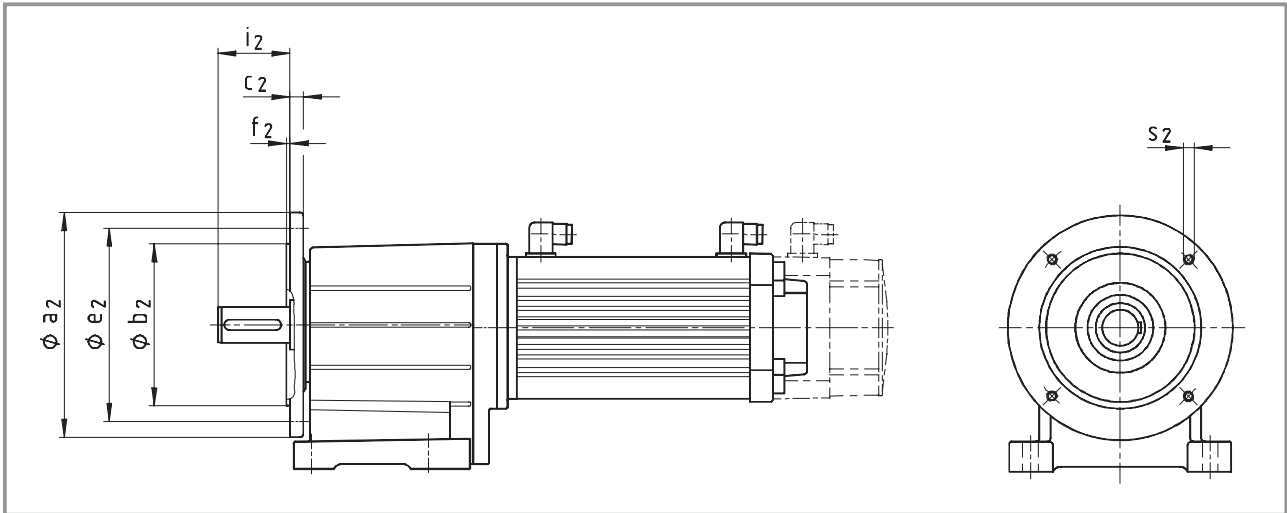
3

Gearbox size a_1	b_1	e_1 h7	f_1	i_1	s_1	6 x 60° M5x10
04	72	48	61	8	51	M5x10
05	88	58	74	9	62	M6x12
06	109	70	90	10	74	M8x14
07	140	100	120	13	97	M10x8
09	174	120	145	15	120	M12x20
11	215	150	185	18	143	M16x26
14	265	195	230	22	187	M20x34

Dimensions in [mm]



Output design VAL



Gearbox size a_2	b_2	c_2 j7	e_2	f_2	i_2	s_2	4 x 90°
04	120	80	10	100	3	40	M6
	140	95		115			
05	120	80	10	100	3	50	M6
	140	95		115	3		M8
	160	110		130	3.5		M8
06	160	110	12	130	3.5	60	M8
	200	130		165			M10
07	200	130	14	165	3.5	80	M10
	250	180	15	215	4		M12
09	250	180	16	215	4	100	M12
	300	230	18	265			
11	300	230	18	265	4	120	M12
	350	250	20	300	5		M16
14	350	250	22	300	5	160	M16
	400	300	24	350			

Dimensions in [mm]



Technical data

Permissible radial and axial forces	
Output _____	4-2
Output backlash _____	4-4
Ratios _____	4-5
Ventilation _____	4-12
Position of ventilation, sealing elements and oil control _____	4-12
Reservoir for mounting position C _____	4-13
Weights _____	4-14

Selection tables

Synchronous geared servo motors _____	4-15
Naturally ventilated _____	4-15
Forced ventilated _____	4-30
Asynchronous geared servo motors _____	4-37
Naturally ventilated _____	4-37
Forced ventilated _____	4-57

Dimensions

Geared servo motors with resolver _____	4-82
2-stage _____	4-82
3-stage _____	4-90
Further dimensions _____	4-98
Hollow shaft with shrink disc _____	4-98
Foot mounting _____	4-99
Rubber buffer set _____	4-101
Mounting set for hollow shaft circlip _____	4-102
Proposed design for auxiliary tools _____	4-102

Technical data - Shaft-mounted helical gearboxes

Permissible radial and axial forces - Output

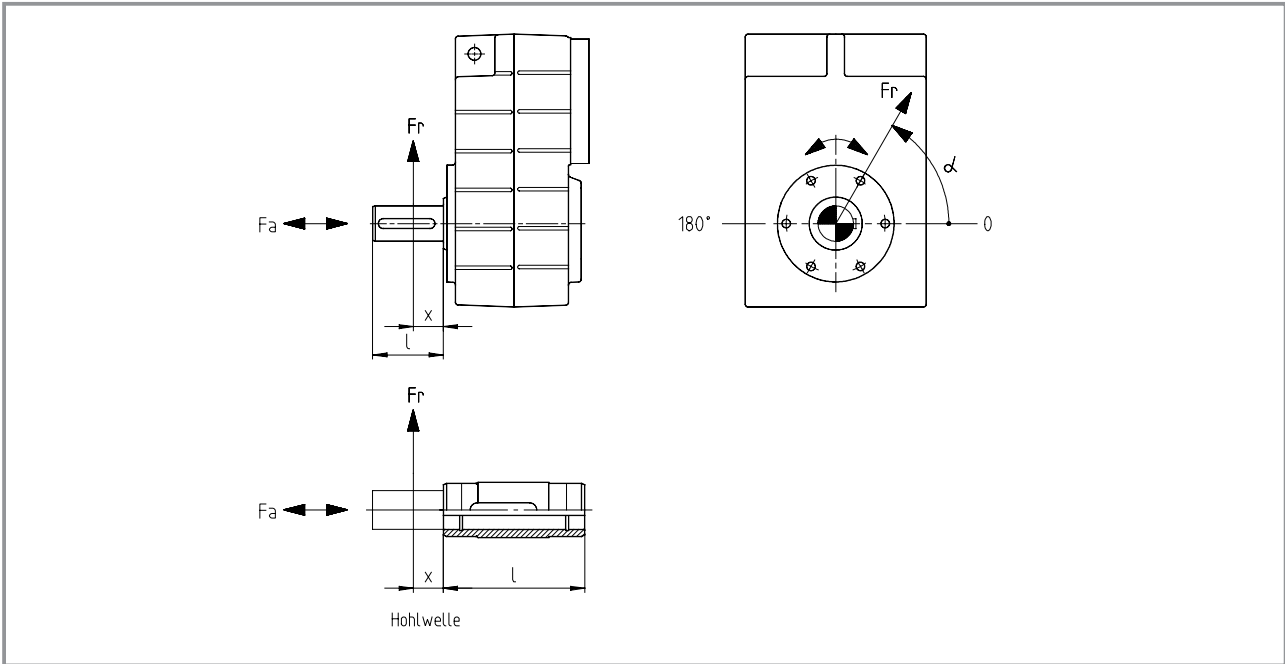
Permissible radial force

$$F_{rperm} = \min(f_w \cdot f_\alpha \cdot F_{rTab}; f_w \cdot F_{rmax})$$

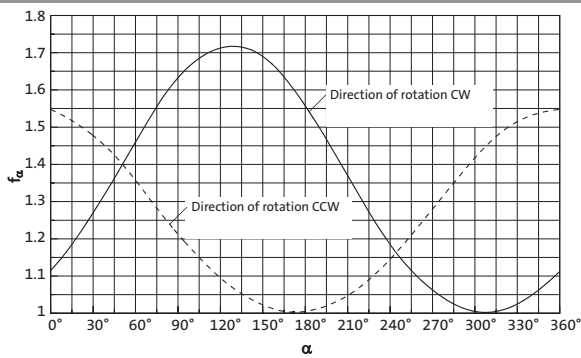
Permissible axial force

$$F_{aperm} = F_{aTab} \quad \text{at } F_r = 0$$

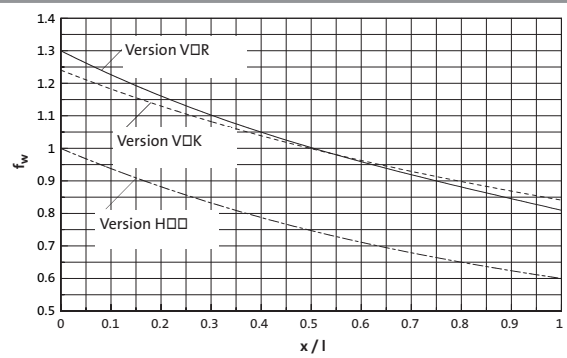
Contact Lenze if F_r and $F_a \neq 0$



f_α Effective direction factor at output shaft



f_w Additional load factor at output shaft



Technical data - Shaft-mounted helical gearboxes

Permissible radial and axial forces - Output



VCK	Solid shaft with flange													
	Application of force F_r : Centre of shaft journal ($x = l/2$)													
	F_{aTab} only valid for $F_r = 0$													
n_2 [rpm]	GFL 04		GFL 05		GFL 06		GFL 07		GFL 09		GFL 11		GFL 14	
	F_{rTab} [N]	F_{aTab} [N]	F_{rTab} [N]	F_{aTab} [N]	F_{rTab} [N]	F_{aTab} [N]	F_{rTab} [N]	F_{aTab} [N]	F_{rTab} [N]	F_{aTab} [N]	F_{rTab} [N]	F_{aTab} [N]	F_{rTab} [N]	F_{aTab} [N]
400	3200	2200	4300	3100	6100	4300	6400	6100	7800	6100	12500	6800	18000	6000
250	3700	2600	5100	3900	7000	5500	7400	6500	9000	6500	14500	8500	20000	8000
160	4400	3200	5900	4800	7800	6500	8900	7000	10500	7000	17000	10500	23000	10000
100	4600	4200	6800	6400	9600	8500	10500	9500	14000	9500	21500	17000	27500	13000
63	4600	4400	7000	6600	10000	10000	12000	11500	15000	11500	26000	22000	32000	19000
40	4600	4400	7000	6600	10000	10000	13000	11500	15000	11500	30000	27000	38000	26000
25	4600	4400	7000	6600	10000	10000	14000	11500	15000	11500	30000	27000	43000	35000
≤ 16	4600	4400	7000	6600	10000	10000	14000	11500	15000	11500	30000	27000	43000	35000
$F_{r max}$	4600	–	7400	–	11000	–	16000	–	16000	–	32000	–	46000	–

VOR	Solid shaft without flange													
	Application of force F_r : Centre of shaft journal ($x = l/2$)													
	F_{aTab} only valid for $F_r = 0$													
n_2 [rpm]	GFL 04		GFL 05		GFL 06		GFL 07		GFL 09*		GFL 11*		GFL 14	
	F_{rTab} [N]	F_{aTab} [N]	F_{rTab} [N]	F_{aTab} [N]	F_{rTab} [N]	F_{aTab} [N]	F_{rTab} [N]	F_{aTab} [N]	F_{rTab} [N]	F_{aTab} [N]	F_{rTab} [N]	F_{aTab} [N]	F_{rTab} [N]	F_{aTab} [N]
400	2300	2200	2400	2800	3200	4000	3200	3400	3800	3100	5500	4700	47000	25000
250	2700	2600	2700	3600	3600	5200	3600	4700	4400	4200	6300	6000	54000	27000
160	3200	3200	3200	4200	3900	6000	3900	6000	5500	5800	7300	7500	62000	29000
100	3600	4200	4000	5900	5100	8500	5100	8500	8000	10000	11200	14000	65000	32000
63	3600	5300	4800	6600	6500	10000	6500	12000	10000	13500	14500	19000	65000	35000
40	3600	5500	5800	6600	8400	10000	8400	14000	12000	17000	17400	25000	65000	35000
25	3600	5500	6200	6600	9000	10000	9000	14000	18000	21000	20500	27000	65000	35000
≤ 16	3600	5500	6200	6600	9000	10000	9000	14000	18000	21000	23000	27000	65000	35000
$F_{r max}$	3600	–	7000	–	11000	–	11000	–	22000	–	28000	–	65000	–

H00	Hollow shaft													
	Application of force F_r : At hollow shaft end face ($x = 0$)													
	F_{aTab} only valid for $F_r = 0$													
n_2 [rpm]	GFL 04		GFL 05		GFL 06		GFL 07		GFL 09		GFL 11		GFL 14	
	F_{rTab} [N]	F_{aTab} [N]	F_{rTab} [N]	F_{aTab} [N]	F_{rTab} [N]	F_{aTab} [N]	F_{rTab} [N]	F_{aTab} [N]	F_{rTab} [N]	F_{aTab} [N]	F_{rTab} [N]	F_{aTab} [N]	F_{rTab} [N]	F_{aTab} [N]
400	2800	2200	3000	2800	4300	4000	4500	3400	5000	3100	7300	4700	8000	4000
250	3200	2600	3400	3600	4700	5200	5100	4700	6000	4200	8700	6000	9000	5000
160	3800	3200	4100	4200	5000	6000	6400	6000	7200	5800	10000	7500	9500	6200
100	4600	4200	5000	5900	6600	8500	7900	8500	10500	10000	14200	14000	11500	7500
63	5500	5300	6000	6600	8500	10000	9300	12000	13000	13500	19000	19000	14000	11000
40	6300	5500	7100	6600	10800	10000	11500	14000	15000	17000	23000	25000	18000	17500
25	7000	5500	8000	6600	12000	10000	15000	14000	22000	21000	27000	27000	30000	31000
≤ 16	7000	5500	8000	6600	12000	10000	16000	14000	24000	21000	30000	27000	45000	35000
$F_{r max}$	7000	–	10000	–	15000	–	20000	–	30000	–	38000	–	56000	–

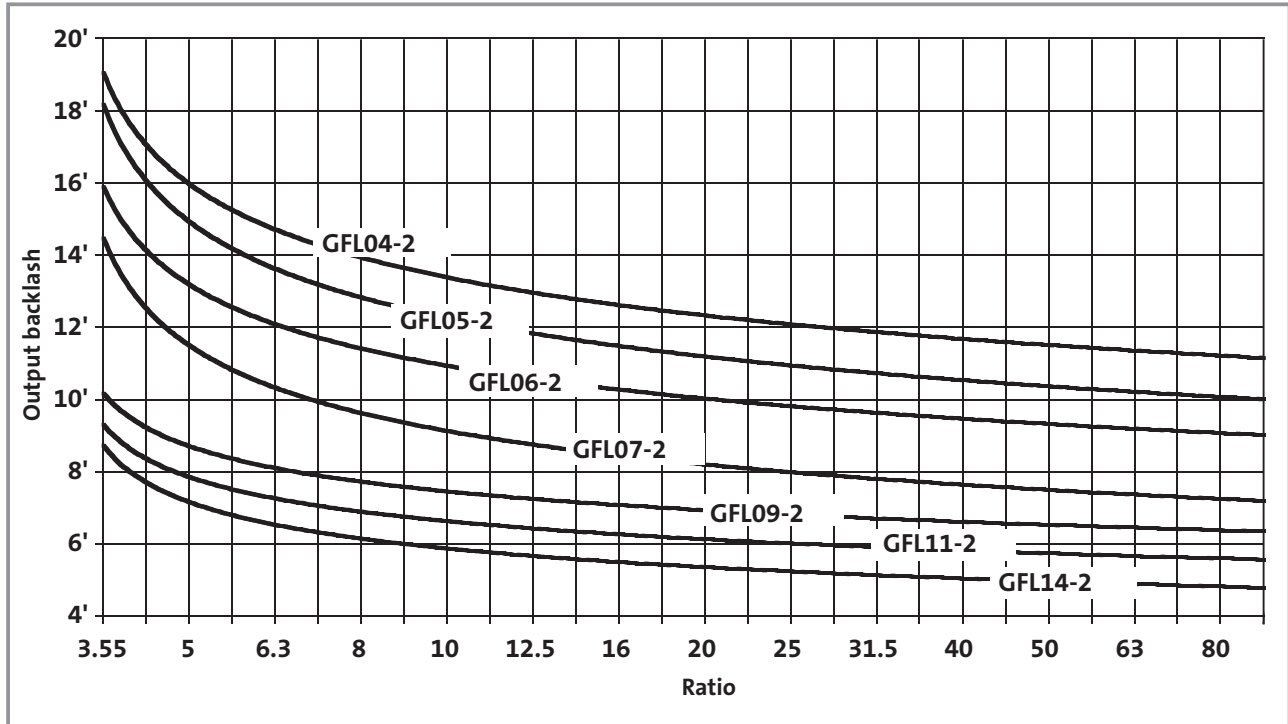
* A reinforced output shaft bearing is available on request for VOR versions.

Neither radial nor axial forces are permitted on hollow shafts with shrink disc (S□□).

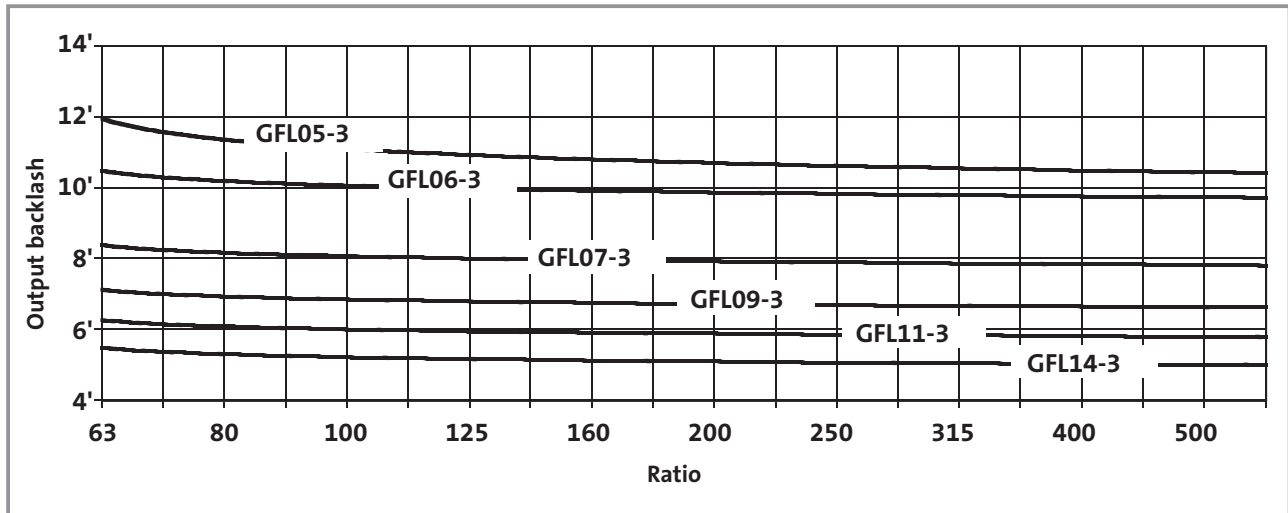
Technical data - Shaft-mounted helical gearboxes

Output backlash in angular minutes

GFL00-2



GFL00-3





Calculation formula: $i_{exact} = \frac{\text{Numerator}}{\text{Denominator}}$

Actual ratio	Numerator	Denominator
GFL 04 - 2		
3.659	2415	660
5.018	2760	550
5.833	2625	450
6.422	2967	462
7.025	3864	550
8.379	2765	330
9.333	2800	300
10.238	3225	315
11.491	3160	275
12.800	3200	250
14.706	3397	231
16.087	4424	275
17.920	4480	250
20.519	4740	231
22.857	4800	210
25.136	4977	198
28.000	5040	180
31.600	5214	165
35.200	5280	150
40.697	5372	132
45.333	5440	120
51.579	6241	121
57.455	6320	110
64.636	6399	99
72.000	6480	90
85.156	6557	77
94.857	6640	70

Calculation formula: $i_{exact} = \frac{\text{Numerator}}{\text{Denominator}}$

Actual ratio	Numerator	Denominator
GFL 05 - 2		
3.333	2100	630
4.571	2400	525
5.133	2310	450
5.667	2380	420
6.400	3360	525
7.040	2640	375
7.771	2720	350
9.010	2838	315
9.946	2924	294
11.360	2840	250
12.800	2880	225
14.538	3053	210
15.904	3976	250
17.920	4032	225
20.286	4260	210
22.857	4320	189
24.850	4473	180
28.000	4536	162
32.344	5822	180
36.444	5904	162
40.233	4828	120
45.333	4896	108
52.067	6248	120
58.667	6336	108
63.190	6319	100
71.200	6408	90
80.763	6461	80
91.000	6552	72
GFL 05 - 3		
61.653	258944	4200
78.639	277440	3528
90.123	270368	3000
101.547	274176	2700
114.952	289680	2520
129.524	293760	2268
140.817	304164	2160
158.667	308448	1944
177.027	318648	1800
199.467	323136	1620
227.989	328304	1440
256.889	332928	1296
288.948	381412	1320
325.576	386784	1188
362.100	391068	1080
408.000	396576	972
477.052	400724	840
537.524	406368	756



Calculation formula: $i_{exact} = \frac{\text{Numerator}}{\text{Denominator}}$

Actual ratio	Numerator	Denominator
GFL 06 - 2		
3.675	2205	600
5.211	2345	450
5.750	2415	420
6.450	2709	420
7.147	2680	375
8.400	2520	300
9.463	2555	270
10.092	2967	294
11.520	2880	250
12.978	2920	225
14.743	3096	210
16.128	4032	250
18.169	4088	225
20.571	4320	210
23.175	4380	189
25.200	4536	180
28.389	4599	162
32.800	5904	180
36.951	5986	162
40.800	4896	120
45.963	4964	108
52.800	6336	120
59.481	6424	108
64.080	6408	100
72.189	6497	90
81.000	6480	80
91.250	6570	72

GFL 06 - 3		
66.213	262800	3969
72.000	272160	3780
81.111	275940	3402
88.200	285768	3240
99.361	289737	2916
116.571	293760	2520
131.323	297840	2268
144.320	389664	2700
162.583	395076	2430
179.520	323136	1800
202.237	327624	1620
231.200	332928	1440
260.457	337552	1296
293.018	386784	1320
299.200	430848	1440
367.200	396576	1080
413.667	402084	972
475.200	513216	1080
535.333	520344	972
576.720	519048	900
649.700	526257	810
759.806	531864	700
855.954	539251	630

Technical data - Shaft-mounted helical gearboxes

Ratios

Calculation formula: $i_{exact} = \frac{\text{Numerator}}{\text{Denominator}}$

Actual ratio	Numerator	Denominator
GFL 07 - 2		
3.350	2040	609
4.643	2340	504
5.159	2244	435
5.695	2312	406
6.400	3360	525
7.150	2574	360
8.324	2414	290
9.379	2448	261
9.714	2856	294
11.538	2769	240
13.000	2808	216
14.200	2982	210
15.904	3976	250
17.920	4032	225
20.286	4260	210
22.857	4320	189
24.850	4473	180
28.000	4536	162
32.344	5822	180
36.444	5904	162
39.642	4757	120
44.667	4824	108
52.067	6248	120
58.667	6336	108
63.190	6319	100
71.200	6408	90
79.875	6390	80
90.000	6480	72
GFL 07 - 3		
65.306	259200	3969
72.452	326032	4500
81.636	330624	4050
92.413	349320	3780
104.127	354240	3402
113.206	366786	3240
127.556	371952	2916
147.347	477404	3240
166.025	484128	2916
183.285	395896	2160
206.519	401472	1944
224.636	323476	1440
253.111	328032	1296
290.706	418616	1440
327.556	424512	1296
352.811	423373	1200
397.533	429336	1080
430.222	557568	1296
522.133	563904	1080
562.391	562391	1000
633.680	570312	900
718.786	575029	800
809.900	583128	720



Calculation formula: $i_{exact} = \frac{\text{Numerator}}{\text{Denominator}}$

Actual ratio	Numerator	Denominator
GFL 09 - 2		
6.864	2574	375
7.466	2613	350
9.010	2838	315
9.799	2881	294
11.167	3752	336
12.307	2769	225
14.333	3010	210
16.333	3920	240
18.407	3976	216
19.667	4130	210
22.164	4189	189
24.111	4340	180
27.173	4402	162
32.667	5880	180
36.815	5964	162
39.667	4760	120
44.704	4828	108
51.333	6160	120
57.852	6248	108
62.300	6230	100
70.211	6319	90
78.750	6300	80
88.750	6390	72
GFL 09 - 3		
63.326	251340	3969
73.173	329280	4500
82.465	333984	4050
93.333	352800	3780
105.185	357840	3402
114.333	370440	3240
128.852	375732	2916
148.815	482160	3240
167.712	489048	2916
185.111	399840	2160
208.617	405552	1944
224.778	323680	1440
253.321	328304	1296
290.889	418880	1440
327.827	424864	1296
353.033	423640	1200
397.863	429692	1080
424.247	549824	1296
514.881	556072	1080
554.470	554470	1000
624.879	562391	900
700.875	560700	800
789.875	568710	720

Calculation formula: $i_{exact} = \frac{\text{Numerator}}{\text{Denominator}}$

Actual ratio	Numerator	Denominator
GFL 11 - 2		
6.864	2574	375
7.466	2613	350
9.010	2838	315
9.799	2881	294
10.720	3752	350
12.480	2808	225
14.538	3053	210
15.904	3976	250
17.920	4032	225
20.286	4260	210
22.857	4320	189
24.850	4473	180
28.000	4536	162
32.739	5893	180
36.889	5976	162
40.233	4828	120
45.333	4896	108
52.067	6248	120
58.667	6336	108
63.190	6319	100
71.200	6408	90
79.875	6390	80
90.000	6480	72
GFL 11 - 3		
65.306	259200	3969
73.335	330008	4500
82.631	334656	4050
93.540	353580	3780
105.397	358560	3402
114.586	371259	3240
129.111	376488	2916
149.144	483226	3240
168.049	490032	2916
182.792	394831	2160
205.963	400392	1944
224.636	323476	1440
253.111	328032	1296
267.259	519552	1944
327.556	424512	1296
358.077	429692	1200
403.467	435744	1080
430.222	557568	1296
522.133	563904	1080
562.391	562391	1000
633.680	570312	900
710.888	568710	800
801.000	576720	720

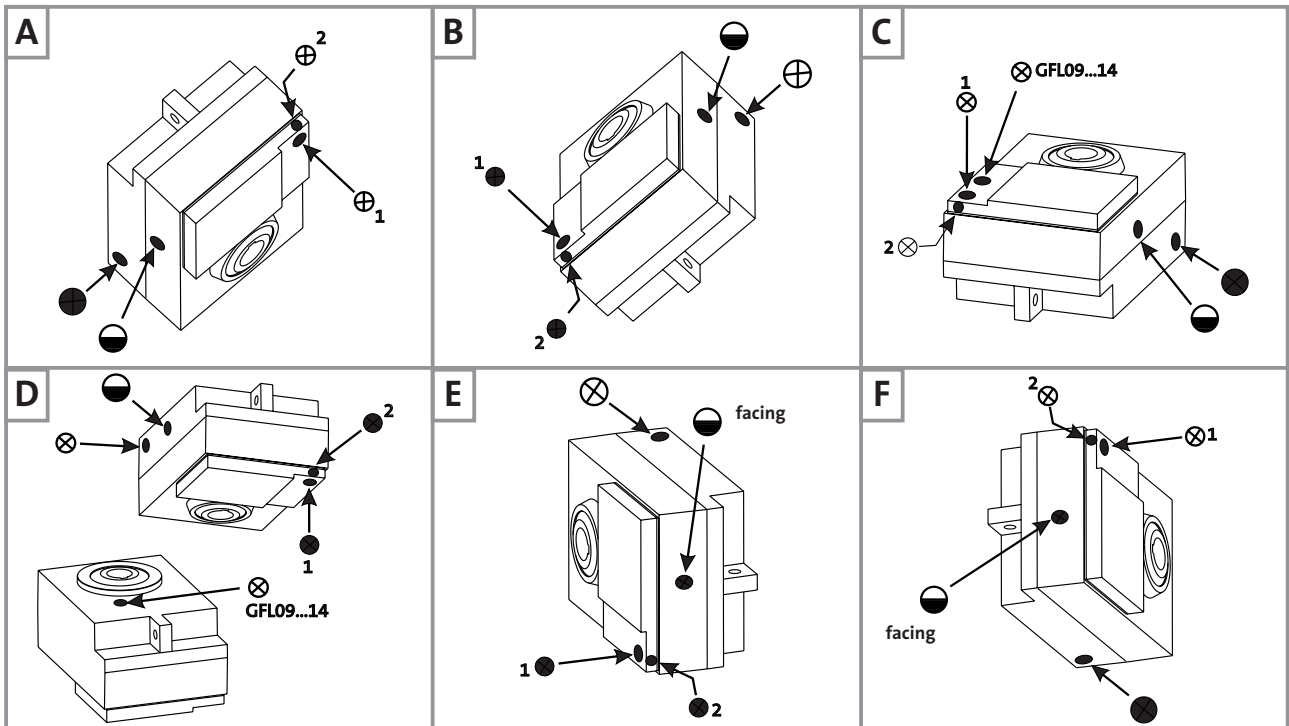


Calculation formula: $i_{exact} = \frac{\text{Numerator}}{\text{Denominator}}$

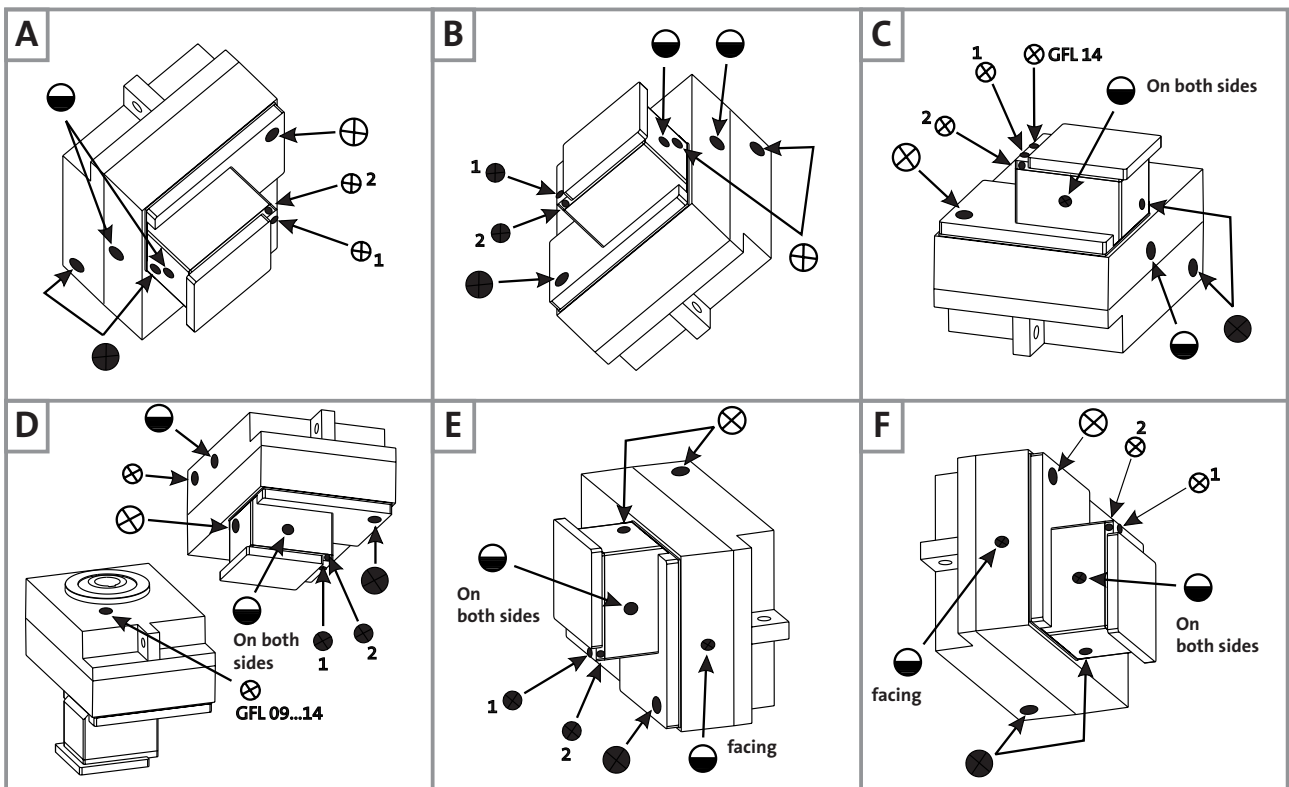
Actual ratio	Numerator	Denominator
GFL 14 - 2		
7.150	2574	360
7.777	2613	336
8.800	2772	315
9.571	2814	294
11.538	2769	240
13.000	2808	216
14.200	2982	210
15.620	3905	250
17.600	3960	225
19.948	4189	210
22.476	4248	189
24.456	4402	180
27.556	4464	162
32.344	5822	180
36.444	5904	162
39.642	4757	120
44.667	4824	108
52.067	6248	120
58.667	6336	108
63.190	6319	100
71.200	6408	90
79.875	6390	80
90.000	6480	72
GFL 14 - 3		
64.296	249984	3888
68.708	259718	3780
77.418	263376	3402
85.037	330624	3888
104.889	356832	3402
114.126	369768	3240
128.593	374976	2916
136.889	354816	2592
156.148	303552	1944
170.074	495936	2916
202.074	392832	1944
224.636	323476	1440
253.111	328032	1296
273.778	532224	1944
332.444	430848	1296
352.811	423373	1200
397.533	429336	1080
430.222	557568	1296
522.133	563904	1080
562.391	562391	1000
633.680	570312	900
710.888	568710	800
801.000	576720	720

Position of ventilation, sealing elements and oil control

GFL05 ... 14-2



GFL05 ... 14-3



(A ... F) Mounting position

⊗ Ventilation/oil filler plug
● Oil drain plug

⊖ Oil control plug
○ Oil-sight glass

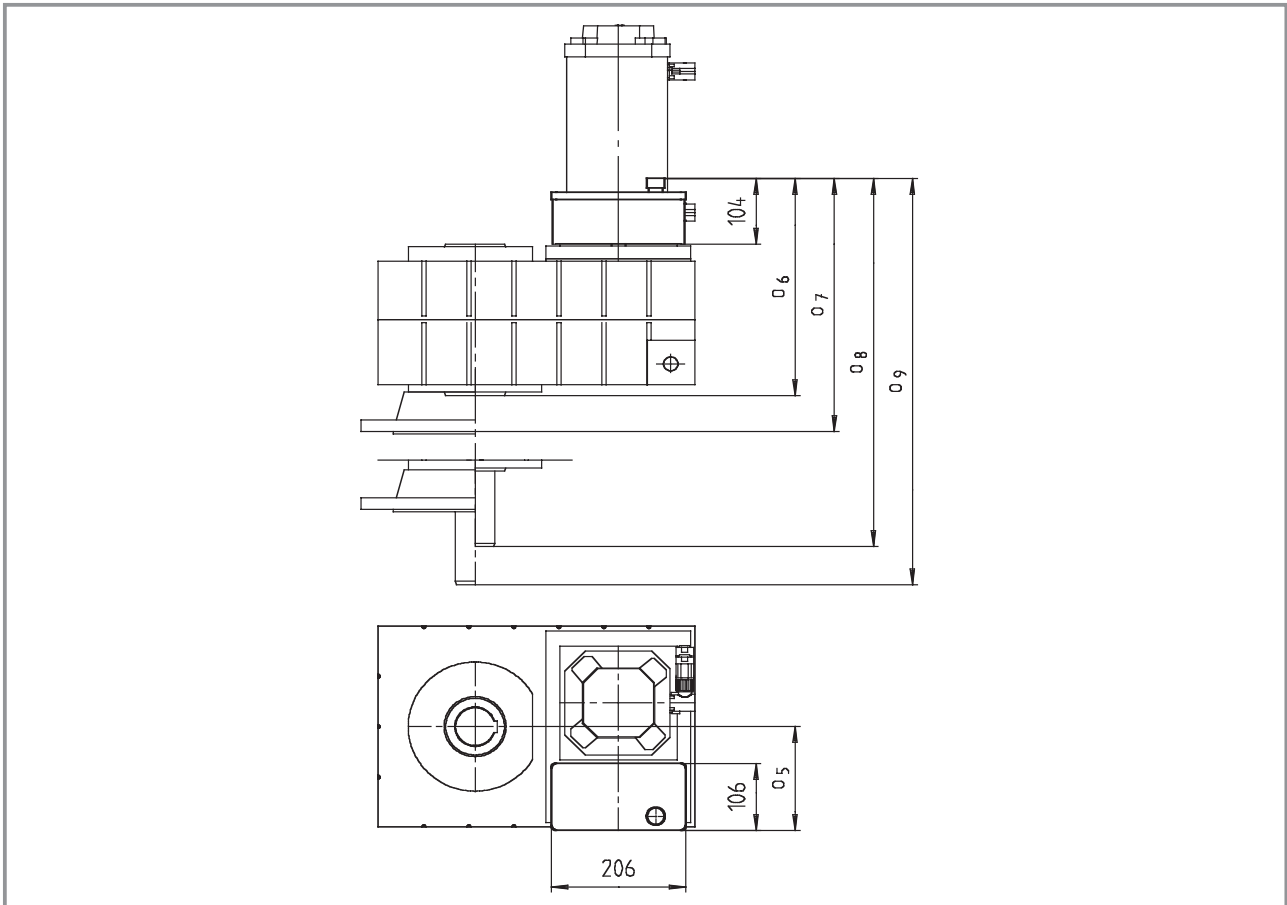
Pos. 1 Standard

Pos. 2 only on GFL05-2A □□□ 080C22
GFL07-3A □□□ 080C22



Reservoir for mounting position C

Shaft-mounted helical gearboxes (low-profile gearboxes) GFL



Shaft-mounted helical gearbox GFL□□ - 2A	Motor frame size			
	080C22 090C22	100C22	112C22	
GFL 09	o ₅	165	187	204
	o ₆	344	344	344
	o ₇	405	405	405
	o ₈	464	464	464
	o ₉	525	525	525
GFL 11	o ₅	154	176	200
	o ₆	387	391	391
	o ₇	448	452	452
	o ₈	547	551	551
	o ₉	608	612	612
GFL 14	o ₅		181	211
	o ₆		446	446
	o ₇		507	507
	o ₈		646	646
	o ₉		707	707

Connector/terminal box position 3 not permissible.
Dimensions in [mm]

Shaft-mounted helical gearboxes (low-profile gearboxes) GFL□□-2

Gearbox size	naturally ventilated										
	GFL□□-2S HCR/HDR with motor frame size (synchronous)					GFL□□-2A HCR/HDR with motor frame size (asynchronous)					
	056 C23	056 C33	071 C03	071 C13	071 C33	056 C22	071 C22	080 C22	090 C22	100 C22	112 C22
04	12	13	16	18	20	13	17				
05	25	26	29	31	33	26	30	36			
06	39	40	43	45	47	40	44	50	58		
07	65	66	68	70	73	66	70	76	84	107	124
09								122	130	153	171
11								208	215	238	254
14										380	395

Shaft-mounted helical gearboxes (low-profile gearboxes) GFL□□-3

Gearbox size	naturally ventilated										
	GFL□□-3S HCR/HDR with motor frame size (synchronous)					GFL□□-3A HCR/HDR with motor frame size (asynchronous)					
	056 C23	056 C33	071 C03	071 C13	071 C33	056 C22	071 C22	080 C22	090 C22	100 C22	112 C22
05	26	27	30	32	34	27	31				
06	43	44	47	49	51	44	48				
07	73	74	77	79	81	74	78	84			
09	124	125	128	130	132	125	129	135	143		
11	218	219	221	223	225	219	223	228	236	260	277
14								385	393	415	433

Additional weights

At the drive end

Synchronous					Asynchronous					
056 C23	056 C33	071 C03	071 C13	071 C33	056 C22	071 C22	080 C22	090 C22	100 C22	112 C22
forced ventilated										
–	–	1.3	1.3	1.3	–	1.6	1.9	2.6	3.5	3.5
Brake										
0.9	0.9	1.4	1.4	1.4	0.9	1.4	1.5	2.4	4.8	5.0

At the non-drive end

Gearbox size	Solid shaft V□□	2nd output shaft end V□□	Hollow shaft with shrink disc S□□	Flange □□K	Foot □A□/□B□
04	0.6	0.2	0.6	2.5	1
05	1	0.3	0.8	4	1.5
06	2.5	0.8	1	7	2.5
07	5	1.5	1.5	11	4
09	8	2.7	3	16	7
11	16	6.3	5	24	14
14	33	12	11	33	23

Weights in [kg] with oil capacity for mounting position A. All data is approximate

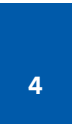
Selection tables - Shaft-mounted helical gearboxes

Naturally ventilated synchronous geared servo motors



M ₂ [Nm]	n _{2 trans} [rpm]	c	i	M _{2 max} short-time on geared motor at				M _{2 Gr} gearbox c=1 n ₁ ≤ 1400 rpm [Nm]	n _{2 therm} [rpm]	J _{GM} referred to motor shaft [kgm ²]	Servo shaft-mounted helical geared motor Dimensions on Page 4-82
				8 kHz		16 kHz					
				M _{2 max} [Nm]	Type EVS	M _{2 max} [Nm]	Type EVS				
10	1039	5.5	3.659	16	9322	19	9323	75	1004	2.91E-04	GFL04 - 2S □□□ 056C23 MDSKS□□ 056-23 190
13	757	5.5	5.018	23	9322	26	9323	103	757	2.26E-04	GFL04 - 2S □□□ 056C23 MDSKS□□ 056-23 190
15	651	5.5	5.833	26	9322	30	9323	120	630	2.33E-04	GFL04 - 2S □□□ 056C23 MDSKS□□ 056-23 190
17	592	4.7	6.422	29	9322	33	9323	113	592	1.96E-04	GFL04 - 2S □□□ 056C23 MDSKS□□ 056-23 190
18	541	4.3	7.025	32	9322	37	9323	113	541	1.87E-04	GFL04 - 2S □□□ 056C23 MDSKS□□ 056-23 190
22	454	5.5	8.379	38	9322	44	9323	172	438	2.07E-04	GFL04 - 2S □□□ 056C23 MDSKS□□ 056-23 190
24	407	4.8	9.333	42	9322	49	9323	165	383	2.01E-04	GFL04 - 2S □□□ 056C23 MDSKS□□ 056-23 190
27	371	4.2	10.238	46	9322	53	9323	159	371	1.77E-04	GFL04 - 2S □□□ 056C23 MDSKS□□ 056-23 190
30	331	4.3	11.491	52	9322	60	9323	181	331	1.81E-04	GFL04 - 2S □□□ 056C23 MDSKS□□ 056-23 190
34	297	3.5	12.800	58	9322	67	9323	166	293	1.78E-04	GFL04 - 2S □□□ 056C23 MDSKS□□ 056-23 190
39	258	3.3	14.706	66	9322	77	9323	182	258	1.68E-04	GFL04 - 2S □□□ 056C23 MDSKS□□ 056-23 190
43	236	3.1	16.087	72	9322	84	9323	182	236	1.65E-04	GFL04 - 2S □□□ 056C23 MDSKS□□ 056-23 190
48	212	2.5	17.920	81	9322	93	9323	167	212	1.63E-04	GFL04 - 2S □□□ 056C23 MDSKS□□ 056-23 190
55	185	2.4	20.519	92	9322	107	9323	183	185	1.57E-04	GFL04 - 2S □□□ 056C23 MDSKS□□ 056-23 190
61	166	2.0	22.857	103	9322	119	9323	167	166	1.56E-04	GFL04 - 2S □□□ 056C23 MDSKS□□ 056-23 190
67	151	2.2	25.136	113	9322	131	9323	183	151	1.53E-04	GFL04 - 2S □□□ 056C23 MDSKS□□ 056-23 190
75	136	1.8	28.000	126	9322	146	9323	168	136	1.52E-04	GFL04 - 2S □□□ 056C23 MDSKS□□ 056-23 190
85	120	1.8	31.600	142	9322	164	9323	185	120	1.49E-04	GFL04 - 2S □□□ 056C23 MDSKS□□ 056-23 190
95	108	1.5	35.200	158	9322	183	9323	170	108	1.48E-04	GFL04 - 2S □□□ 056C23 MDSKS□□ 056-23 190
110	93	1.4	40.697	183	9322	212	9323	187	93	1.46E-04	GFL04 - 2S □□□ 056C23 MDSKS□□ 056-23 190
123	84	1.2	45.333	204	9322	236	9323	172	84	1.46E-04	GFL04 - 2S □□□ 056C23 MDSKS□□ 056-23 190
15	1093	3.6	3.659	24	9323	32	9324	75	930	3.51E-04	GFL04 - 2S □□□ 056C33 MDSKS□□ 056-33 200
20	797	3.6	5.018	34	9323	44	9324	103	753	2.86E-04	GFL04 - 2S □□□ 056C33 MDSKS□□ 056-33 200
23	686	3.6	5.833	39	9323	51	9324	120	583	2.93E-04	GFL04 - 2S □□□ 056C33 MDSKS□□ 056-33 200
26	623	3.1	6.422	43	9323	56	9324	113	623	2.56E-04	GFL04 - 2S □□□ 056C33 MDSKS□□ 056-33 200
28	569	2.8	7.025	47	9323	61	9324	113	569	2.47E-04	GFL04 - 2S □□□ 056C33 MDSKS□□ 056-33 200
33	477	3.6	8.379	56	9323	73	9324	172	406	2.67E-04	GFL04 - 2S □□□ 056C33 MDSKS□□ 056-33 200
37	429	3.1	9.333	62	9323	81	9324	165	354	2.61E-04	GFL04 - 2S □□□ 056C33 MDSKS□□ 056-33 200
41	391	2.8	10.238	68	9323	89	9324	159	391	2.37E-04	GFL04 - 2S □□□ 056C33 MDSKS□□ 056-33 200
46	348	2.8	11.491	77	9323	100	9324	181	314	2.41E-04	GFL04 - 2S □□□ 056C33 MDSKS□□ 056-33 200
51	313	2.3	12.800	85	9323	111	9324	166	272	2.38E-04	GFL04 - 2S □□□ 056C33 MDSKS□□ 056-33 200
59	272	2.2	14.706	98	9323	128	9324	182	272	2.28E-04	GFL04 - 2S □□□ 056C33 MDSKS□□ 056-33 200
65	249	2.0	16.087	107	9323	140	9324	182	249	2.25E-04	GFL04 - 2S □□□ 056C33 MDSKS□□ 056-33 200
73	223	1.6	17.920	120	9323	156	9324	167	212	2.23E-04	GFL04 - 2S □□□ 056C33 MDSKS□□ 056-33 200

Observe the notes for thermal dimensioning.



Selection tables - Shaft-mounted helical gearboxes

Naturally ventilated synchronous geared servo motors

M ₂ [Nm]	n ₂ trans [rpm]	c	i	M ₂ max short-time on geared motor at				M ₂ Gr gearbox c=1 n ₁ ≤ 1400 rpm [Nm]	n ₂ therm [rpm]	J _{GM} referred to motor shaft [kgm ²]	Servo shaft-mounted helical geared motor Dimensions on Page 4-82
				8 kHz		16 kHz					
				M ₂ max [Nm]	Type EVS	M ₂ max [Nm]	Type EVS				
83	195	1.6	20.519	137	9323	178	9324	183	195	2.17E-04	GFL04 - 2S □□□ 056C33 MDSKS□□ 056-33 200
93	175	1.3	22.857	153	9323	199	9324	167	171	2.16E-04	GFL04 - 2S □□□ 056C33 MDSKS□□ 056-33 200
102	159	1.5	25.136	168	9323	219	9324	183	159	2.13E-04	GFL04 - 2S □□□ 056C33 MDSKS□□ 056-33 200
114	143	1.2	28.000	187	9323	243	9324	168	143	2.12E-04	GFL04 - 2S □□□ 056C33 MDSKS□□ 056-33 200
129	127	1.2	31.600	211	9323	275	9324	185	127	2.09E-04	GFL04 - 2S □□□ 056C33 MDSKS□□ 056-33 200
20	929	4.1	3.659	28	9323	38	9324	109	929	7.51E-04	GFL04 - 2S □□□ 071C03 MDSKS□□ 071-03 170
27	678	3.1	5.018	39	9323	52	9324	111	678	6.86E-04	GFL04 - 2S □□□ 071C03 MDSKS□□ 071-03 170
31	583	3.6	5.833	45	9323	60	9324	153	583	6.93E-04	GFL04 - 2S □□□ 071C03 MDSKS□□ 071-03 170
35	529	2.4	6.422	50	9323	66	9324	113	529	6.56E-04	GFL04 - 2S □□□ 071C03 MDSKS□□ 071-03 170
38	484	2.2	7.025	55	9323	72	9324	113	484	6.47E-04	GFL04 - 2S □□□ 071C03 MDSKS□□ 071-03 170
45	406	2.9	8.379	65	9323	86	9324	179	390	6.67E-04	GFL04 - 2S □□□ 071C03 MDSKS□□ 071-03 170
51	364	2.4	9.333	73	9323	96	9324	165	337	6.61E-04	GFL04 - 2S □□□ 071C03 MDSKS□□ 071-03 170
56	332	2.1	10.238	80	9323	105	9324	159	332	6.37E-04	GFL04 - 2S □□□ 071C03 MDSKS□□ 071-03 170
63	296	2.2	11.491	89	9323	118	9324	181	296	6.41E-04	GFL04 - 2S □□□ 071C03 MDSKS□□ 071-03 170
70	266	1.8	12.800	100	9323	132	9324	166	252	6.38E-04	GFL04 - 2S □□□ 071C03 MDSKS□□ 071-03 170
81	231	1.7	14.706	114	9323	151	9324	182	231	6.28E-04	GFL04 - 2S □□□ 071C03 MDSKS□□ 071-03 170
88	211	1.6	16.087	125	9323	165	9324	182	211	6.25E-04	GFL04 - 2S □□□ 071C03 MDSKS□□ 071-03 170
99	190	1.3	17.920	139	9323	184	9324	167	189	6.23E-04	GFL04 - 2S □□□ 071C03 MDSKS□□ 071-03 170
113	166	1.2	20.519	160	9323	211	9324	183	166	6.17E-04	GFL04 - 2S □□□ 071C03 MDSKS□□ 071-03 170
126	149	1.0	22.857	178	9323	235	9324	167	149	6.16E-04	GFL04 - 2S □□□ 071C03 MDSKS□□ 071-03 170
139	135	1.1	25.136	195	9323	258	9324	183	135	6.13E-04	GFL04 - 2S □□□ 071C03 MDSKS□□ 071-03 170
29	1011	2.7	3.659	44	9324	61	9325	109	881	9.51E-04	GFL04 - 2S □□□ 071C13 MDSKS□□ 071-13 185
40	737	2.0	5.018	61	9324	84	9325	111	679	8.86E-04	GFL04 - 2S □□□ 071C13 MDSKS□□ 071-13 185
46	634	2.4	5.833	71	9324	97	9325	153	539	8.93E-04	GFL04 - 2S □□□ 071C13 MDSKS□□ 071-13 185
51	576	1.6	6.422	78	9324	107	9325	113	561	8.56E-04	GFL04 - 2S □□□ 071C13 MDSKS□□ 071-13 185
56	527	1.5	7.025	85	9324	117	9325	113	514	8.47E-04	GFL04 - 2S □□□ 071C13 MDSKS□□ 071-13 185
67	442	2.0	8.379	101	9324	140	9325	179	358	8.67E-04	GFL04 - 2S □□□ 071C13 MDSKS□□ 071-13 185
75	396	1.6	9.333	113	9324	156	9325	165	290	8.61E-04	GFL04 - 2S □□□ 071C13 MDSKS□□ 071-13 185
82	361	1.4	10.238	124	9324	171	9325	159	332	8.37E-04	GFL04 - 2S □□□ 071C13 MDSKS□□ 071-13 185
92	322	1.4	11.491	139	9324	191	9325	181	255	8.41E-04	GFL04 - 2S □□□ 071C13 MDSKS□□ 071-13 185
103	289	1.2	12.800	155	9324	213	9325	166	211	8.38E-04	GFL04 - 2S □□□ 071C13 MDSKS□□ 071-13 185
118	252	1.1	14.706	178	9324	245	9325	182	208	8.28E-04	GFL04 - 2S □□□ 071C13 MDSKS□□ 071-13 185
129	230	1.0	16.087	194	9324	268	9325	182	194	8.25E-04	GFL04 - 2S □□□ 071C13 MDSKS□□ 071-13 185
43	984	1.9	3.659	85	9325	64	9325	109	798	1.15E-03	GFL04 - 2S □□□ 071C33 MDSKS□□ 071-33 180

Observe the notes for thermal dimensioning.

Selection tables - Shaft-mounted helical gearboxes

Naturally ventilated synchronous geared servo motors



M ₂ [Nm]	n _{2 trans} [rpm]	c	i	M _{2 max} short-time on geared motor at				M _{2 Gr} gearbox c=1 n ₁ ≤ 1400 rpm [Nm]	n _{2 therm} [rpm]	J _{GM} referred to motor shaft [kgm ²]	Servo shaft-mounted helical geared motor Dimensions on Page 4-82
				8 kHz		16 kHz					
				M _{2 max} [Nm]	Type EVS	M _{2 max} [Nm]	Type EVS				
60	717	1.4	5.018	117	9325	87	9325	111	572	1.09E-03	GFL04 - 2S □□□ 071C33 MDSKS□□ 071-33 180
69	617	1.6	5.833	136	9325	102	9325	153	467	1.09E-03	GFL04 - 2S □□□ 071C33 MDSKS□□ 071-33 180
77	561	1.1	6.422	150	9325	112	9325	113	470	1.06E-03	GFL04 - 2S □□□ 071C33 MDSKS□□ 071-33 180
84	512	1.0	7.025	164	9325	122	9325	113	438	1.05E-03	GFL04 - 2S □□□ 071C33 MDSKS□□ 071-33 180
100	430	1.3	8.379	195	9325	146	9325	179	292	1.07E-03	GFL04 - 2S □□□ 071C33 MDSKS□□ 071-33 180
111	386	1.1	9.333	217	9325	163	9325	165	241	1.06E-03	GFL04 - 2S □□□ 071C33 MDSKS□□ 071-33 180
17	594	5.5	6.400	29	9322	33	9323	131	594	2.22E-04	GFL05 - 2S □□□ 056C23 MDSKS□□ 056-23 190
23	422	5.5	9.010	41	9322	47	9323	184	422	2.35E-04	GFL05 - 2S □□□ 056C23 MDSKS□□ 056-23 190
26	382	5.5	9.946	45	9322	52	9323	203	382	2.29E-04	GFL05 - 2S □□□ 056C23 MDSKS□□ 056-23 190
38	261	5.5	14.538	65	9322	76	9323	297	261	2.15E-04	GFL05 - 2S □□□ 056C23 MDSKS□□ 056-23 190
41	239	5.3	15.904	71	9322	83	9323	310	239	2.00E-04	GFL05 - 2S □□□ 056C23 MDSKS□□ 056-23 190
47	212	4.7	17.920	81	9322	93	9323	312	212	2.01E-04	GFL05 - 2S □□□ 056C23 MDSKS□□ 056-23 190
53	187	4.4	20.286	91	9322	106	9323	333	187	1.83E-04	GFL05 - 2S □□□ 056C23 MDSKS□□ 056-23 190
60	166	3.7	22.857	103	9322	119	9323	313	166	1.83E-04	GFL05 - 2S □□□ 056C23 MDSKS□□ 056-23 190
65	153	4.2	24.850	112	9322	129	9323	344	153	1.75E-04	GFL05 - 2S □□□ 056C23 MDSKS□□ 056-23 190
74	136	3.4	28.000	126	9322	146	9323	314	136	1.73E-04	GFL05 - 2S □□□ 056C23 MDSKS□□ 056-23 190
86	117	3.3	32.344	145	9322	168	9323	345	117	1.60E-04	GFL05 - 2S □□□ 056C23 MDSKS□□ 056-23 190
97	104	2.7	36.444	164	9322	190	9323	316	104	1.60E-04	GFL05 - 2S □□□ 056C23 MDSKS□□ 056-23 190
107	94	2.6	40.233	181	9322	209	9323	345	94	1.55E-04	GFL05 - 2S □□□ 056C23 MDSKS□□ 056-23 190
122	84	2.2	45.333	204	9322	236	9323	319	84	1.54E-04	GFL05 - 2S □□□ 056C23 MDSKS□□ 056-23 190
140	73	1.8	52.067	234	9322	271	9323	309	73	1.49E-04	GFL05 - 2S □□□ 056C23 MDSKS□□ 056-23 190
158	65	1.7	58.667	264	9322	305	9323	322	65	1.49E-04	GFL05 - 2S □□□ 056C23 MDSKS□□ 056-23 190
171	60	1.4	63.190	284	9322	329	9323	282	60	1.47E-04	GFL05 - 2S □□□ 056C23 MDSKS□□ 056-23 190
193	53	1.5	71.200	320	9322	370	9323	305	53	1.46E-04	GFL05 - 2S □□□ 056C23 MDSKS□□ 056-23 190
25	625	3.6	6.400	43	9323	56	9324	131	589	2.82E-04	GFL05 - 2S □□□ 056C33 MDSKS□□ 056-33 200
36	444	3.6	9.010	60	9323	78	9324	184	404	2.95E-04	GFL05 - 2S □□□ 056C33 MDSKS□□ 056-33 200
39	402	3.6	9.946	66	9323	87	9324	203	366	2.89E-04	GFL05 - 2S □□□ 056C33 MDSKS□□ 056-33 200
58	275	3.6	14.538	97	9323	126	9324	297	250	2.75E-04	GFL05 - 2S □□□ 056C33 MDSKS□□ 056-33 200
63	252	3.4	15.904	106	9323	138	9324	310	235	2.60E-04	GFL05 - 2S □□□ 056C33 MDSKS□□ 056-33 200
71	223	3.1	17.920	120	9323	156	9324	312	205	2.61E-04	GFL05 - 2S □□□ 056C33 MDSKS□□ 056-33 200
81	197	2.9	20.286	135	9323	176	9324	333	197	2.43E-04	GFL05 - 2S □□□ 056C33 MDSKS□□ 056-33 200
92	175	2.4	22.857	153	9323	199	9324	313	175	2.43E-04	GFL05 - 2S □□□ 056C33 MDSKS□□ 056-33 200
99	161	2.8	24.850	166	9323	216	9324	344	161	2.35E-04	GFL05 - 2S □□□ 056C33 MDSKS□□ 056-33 200
113	143	2.3	28.000	187	9323	243	9324	314	143	2.33E-04	GFL05 - 2S □□□ 056C33 MDSKS□□ 056-33 200

Observe the notes for thermal dimensioning.

Selection tables - Shaft-mounted helical gearboxes

Naturally ventilated synchronous geared servo motors

M ₂ [Nm]	n ₂ trans [rpm]	c	i	M ₂ max short-time on geared motor at				M ₂ Gr gearbox c=1 n ₁ ≤ 1400 rpm [Nm]	n ₂ therm [rpm]	J _{GM} referred to motor shaft [kgm ²]	Servo shaft-mounted helical geared motor Dimensions on Page 4-82
				8 kHz		16 kHz					
				M ₂ max [Nm]	Type EVS	M ₂ max [Nm]	Type EVS				
130	124	2.1	32.344	216	9323	281	9324	345	124	2.20E-04	GFLO5 - 2S □□□ 056C33 MDSKS□□ 056-33 200
147	110	1.7	36.444	243	9323	317	9324	316	110	2.20E-04	GFLO5 - 2S □□□ 056C33 MDSKS□□ 056-33 200
163	99	1.7	40.233	269	9323	350	9324	345	99	2.15E-04	GFLO5 - 2S □□□ 056C33 MDSKS□□ 056-33 200
184	88	1.4	45.333	303	9323	394	9324	319	88	2.14E-04	GFLO5 - 2S □□□ 056C33 MDSKS□□ 056-33 200
212	77	1.2	52.067	348	9323	453	9324	309	77	2.09E-04	GFLO5 - 2S □□□ 056C33 MDSKS□□ 056-33 200
239	68	1.1	58.667	392	9323	483	9324	322	68	2.09E-04	GFLO5 - 2S □□□ 056C33 MDSKS□□ 056-33 200
18	1020	5.7	3.333	26	9323	34	9324	138	927	7.68E-04	GFLO5 - 2S □□□ 071C03 MDSKS□□ 071-03 170
24	744	5.1	4.571	36	9323	47	9324	170	744	8.13E-04	GFLO5 - 2S □□□ 071C03 MDSKS□□ 071-03 170
27	662	5.7	5.133	40	9323	53	9324	212	602	8.37E-04	GFLO5 - 2S □□□ 071C03 MDSKS□□ 071-03 170
30	600	5.7	5.667	44	9323	58	9324	233	545	8.33E-04	GFLO5 - 2S □□□ 071C03 MDSKS□□ 071-03 170
34	531	3.7	6.400	50	9323	66	9324	173	531	6.82E-04	GFLO5 - 2S □□□ 071C03 MDSKS□□ 071-03 170
37	483	4.9	7.040	55	9323	72	9324	248	483	7.47E-04	GFLO5 - 2S □□□ 071C03 MDSKS□□ 071-03 170
41	438	4.6	7.771	60	9323	80	9324	258	438	7.45E-04	GFLO5 - 2S □□□ 071C03 MDSKS□□ 071-03 170
48	377	4.1	9.010	70	9323	93	9324	266	377	6.95E-04	GFLO5 - 2S □□□ 071C03 MDSKS□□ 071-03 170
53	342	3.8	9.946	77	9323	102	9324	275	342	6.89E-04	GFLO5 - 2S □□□ 071C03 MDSKS□□ 071-03 170
61	299	3.4	11.360	88	9323	117	9324	278	289	7.08E-04	GFLO5 - 2S □□□ 071C03 MDSKS□□ 071-03 170
69	266	3.1	12.800	100	9323	132	9324	285	251	7.01E-04	GFLO5 - 2S □□□ 071C03 MDSKS□□ 071-03 170
79	234	2.9	14.538	113	9323	149	9324	301	234	6.75E-04	GFLO5 - 2S □□□ 071C03 MDSKS□□ 071-03 170
86	214	2.7	15.904	124	9323	163	9324	310	214	6.60E-04	GFLO5 - 2S □□□ 071C03 MDSKS□□ 071-03 170
98	190	2.4	17.920	139	9323	184	9324	312	190	6.61E-04	GFLO5 - 2S □□□ 071C03 MDSKS□□ 071-03 170
111	168	2.3	20.286	158	9323	208	9324	333	168	6.43E-04	GFLO5 - 2S □□□ 071C03 MDSKS□□ 071-03 170
125	149	1.9	22.857	178	9323	235	9324	313	149	6.43E-04	GFLO5 - 2S □□□ 071C03 MDSKS□□ 071-03 170
136	137	2.2	24.850	193	9323	255	9324	344	137	6.35E-04	GFLO5 - 2S □□□ 071C03 MDSKS□□ 071-03 170
154	121	1.8	28.000	218	9323	288	9324	314	121	6.33E-04	GFLO5 - 2S □□□ 071C03 MDSKS□□ 071-03 170
178	105	1.7	32.344	251	9323	332	9324	345	105	6.20E-04	GFLO5 - 2S □□□ 071C03 MDSKS□□ 071-03 170
201	93	1.4	36.444	283	9323	375	9324	316	93	6.20E-04	GFLO5 - 2S □□□ 071C03 MDSKS□□ 071-03 170
222	85	1.3	40.233	313	9323	413	9324	345	85	6.15E-04	GFLO5 - 2S □□□ 071C03 MDSKS□□ 071-03 170
250	75	1.1	45.333	352	9323	466	9324	319	75	6.14E-04	GFLO5 - 2S □□□ 071C03 MDSKS□□ 071-03 170
26	1110	3.8	3.333	40	9324	56	9325	138	858	9.68E-04	GFLO5 - 2S □□□ 071C13 MDSKS□□ 071-13 185
36	809	3.4	4.571	55	9324	76	9325	170	720	1.01E-03	GFLO5 - 2S □□□ 071C13 MDSKS□□ 071-13 185
40	721	3.8	5.133	62	9324	86	9325	212	557	1.04E-03	GFLO5 - 2S □□□ 071C13 MDSKS□□ 071-13 185
44	653	3.8	5.667	68	9324	94	9325	233	504	1.03E-03	GFLO5 - 2S □□□ 071C13 MDSKS□□ 071-13 185
51	578	2.5	6.400	77	9324	107	9325	173	551	8.82E-04	GFLO5 - 2S □□□ 071C13 MDSKS□□ 071-13 185
55	526	3.2	7.040	85	9324	117	9325	248	462	9.47E-04	GFLO5 - 2S □□□ 071C13 MDSKS□□ 071-13 185

Observe the notes for thermal dimensioning.

Selection tables - Shaft-mounted helical gearboxes

Naturally ventilated synchronous geared servo motors



M ₂ [Nm]	n _{2 trans} [rpm]	c	i	M _{2 max} short-time on geared motor at				M _{2 Gr} gearbox c=1 n ₁ ≤ 1400 rpm [Nm]	n _{2 therm} [rpm]	J _{GM} referred to motor shaft [kgm ²]	Servo shaft-mounted helical geared motor Dimensions on Page 4-82
				8 kHz		16 kHz					
				M _{2 max} [Nm]	Type EVS	M _{2 max} [Nm]	Type EVS				
61	476	3.1	7.771	94	9324	130	9325	258	414	9.45E-04	GFL05 - 2S □□□ 071C13 MDSKS□□ 071-13 185
71	411	2.7	9.010	109	9324	150	9325	266	383	8.95E-04	GFL05 - 2S □□□ 071C13 MDSKS□□ 071-13 185
79	372	2.5	9.946	120	9324	166	9325	275	343	8.89E-04	GFL05 - 2S □□□ 071C13 MDSKS□□ 071-13 185
90	326	2.3	11.360	137	9324	189	9325	278	266	9.08E-04	GFL05 - 2S □□□ 071C13 MDSKS□□ 071-13 185
102	289	2.0	12.800	155	9324	213	9325	285	231	9.01E-04	GFL05 - 2S □□□ 071C13 MDSKS□□ 071-13 185
116	255	1.9	14.538	176	9324	242	9325	301	220	8.75E-04	GFL05 - 2S □□□ 071C13 MDSKS□□ 071-13 185
127	233	1.8	15.904	192	9324	265	9325	310	203	8.60E-04	GFL05 - 2S □□□ 071C13 MDSKS□□ 071-13 185
143	206	1.6	17.920	217	9324	299	9325	312	170	8.61E-04	GFL05 - 2S □□□ 071C13 MDSKS□□ 071-13 185
163	182	1.5	20.286	245	9324	338	9325	333	173	8.43E-04	GFL05 - 2S □□□ 071C13 MDSKS□□ 071-13 185
184	162	1.3	22.857	276	9324	381	9325	313	141	8.43E-04	GFL05 - 2S □□□ 071C13 MDSKS□□ 071-13 185
199	149	1.4	24.850	300	9324	414	9325	344	149	8.35E-04	GFL05 - 2S □□□ 071C13 MDSKS□□ 071-13 185
225	132	1.2	28.000	338	9324	466	9325	314	127	8.33E-04	GFL05 - 2S □□□ 071C13 MDSKS□□ 071-13 185
260	114	1.1	32.344	391	9324	518	9325	345	114	8.20E-04	GFL05 - 2S □□□ 071C13 MDSKS□□ 071-13 185
39	1080	2.6	3.333	78	9325	58	9325	138	792	1.17E-03	GFL05 - 2S □□□ 071C33 MDSKS□□ 071-33 180
54	788	2.3	4.571	106	9325	80	9325	170	666	1.21E-03	GFL05 - 2S □□□ 071C33 MDSKS□□ 071-33 180
60	701	2.6	5.133	120	9325	89	9325	212	515	1.24E-03	GFL05 - 2S □□□ 071C33 MDSKS□□ 071-33 180
67	635	2.6	5.667	132	9325	99	9325	233	465	1.23E-03	GFL05 - 2S □□□ 071C33 MDSKS□□ 071-33 180
76	563	1.7	6.400	149	9325	112	9325	173	490	1.08E-03	GFL05 - 2S □□□ 071C33 MDSKS□□ 071-33 180
83	511	2.2	7.040	164	9325	123	9325	248	427	1.15E-03	GFL05 - 2S □□□ 071C33 MDSKS□□ 071-33 180
92	463	2.1	7.771	181	9325	135	9325	258	382	1.15E-03	GFL05 - 2S □□□ 071C33 MDSKS□□ 071-33 180
107	400	1.8	9.010	210	9325	157	9325	266	348	1.10E-03	GFL05 - 2S □□□ 071C33 MDSKS□□ 071-33 180
118	362	1.7	9.946	232	9325	173	9325	275	305	1.09E-03	GFL05 - 2S □□□ 071C33 MDSKS□□ 071-33 180
135	317	1.5	11.360	264	9325	198	9325	278	225	1.11E-03	GFL05 - 2S □□□ 071C33 MDSKS□□ 071-33 180
152	281	1.4	12.800	298	9325	223	9325	285	190	1.10E-03	GFL05 - 2S □□□ 071C33 MDSKS□□ 071-33 180
173	248	1.3	14.538	338	9325	253	9325	301	182	1.07E-03	GFL05 - 2S □□□ 071C33 MDSKS□□ 071-33 180
189	226	1.2	15.904	370	9325	277	9325	310	171	1.06E-03	GFL05 - 2S □□□ 071C33 MDSKS□□ 071-33 180
214	201	1.1	17.920	417	9325	312	9325	312	145	1.06E-03	GFL05 - 2S □□□ 071C33 MDSKS□□ 071-33 180
242	177	1.0	20.286	472	9325	354	9325	333	146	1.04E-03	GFL05 - 2S □□□ 071C33 MDSKS□□ 071-33 180
165	62	1.0	61.653	273	9322	311	9323	207	62	1.60E-04	GFL05 - 3S □□□ 056C23 MDSKS□□ 056-23 190
241	42	1.2	90.123	399	9322	454	9323	303	42	1.60E-04	GFL05 - 3S □□□ 056C23 MDSKS□□ 056-23 190
271	37	1.1	101.547	449	9322	492	9323	328	37	1.60E-04	GFL05 - 3S □□□ 056C23 MDSKS□□ 056-23 190
53	185	5.5	20.571	92	9322	107	9323	420	185	2.59E-04	GFL06 - 2S □□□ 056C23 MDSKS□□ 056-23 190
60	164	5.5	23.175	104	9322	121	9323	473	164	2.53E-04	GFL06 - 2S □□□ 056C23 MDSKS□□ 056-23 190
85	116	5.2	32.800	147	9322	171	9323	557	116	1.98E-04	GFL06 - 2S □□□ 056C23 MDSKS□□ 056-23 190

Observe the notes for thermal dimensioning.

Selection tables - Shaft-mounted helical gearboxes

Naturally ventilated synchronous geared servo motors

M ₂ [Nm]	n ₂ trans [rpm]	c	i	M ₂ max short-time on geared motor at				M ₂ Gr gearbox c=1 n ₁ ≤ 1400 rpm [Nm]	n ₂ therm [rpm]	J _{GM} referred to motor shaft [kgm ²]	Servo shaft-mounted helical geared motor Dimensions on Page 4-82
				8 kHz		16 kHz					
				M ₂ max [Nm]	Type EVS	M ₂ max [Nm]	Type EVS				
96	103	5.1	36.951	166	9322	192	9323	611	103	1.96E-04	GFL06 - 2S □□□ 056C23 MDSKS□□ 056-23 190
107	93	4.4	40.800	183	9322	212	9323	583	93	1.83E-04	GFL06 - 2S □□□ 056C23 MDSKS□□ 056-23 190
121	83	4.1	45.963	207	9322	239	9323	613	83	1.81E-04	GFL06 - 2S □□□ 056C23 MDSKS□□ 056-23 190
139	72	3.8	52.800	237	9322	275	9323	660	72	1.66E-04	GFL06 - 2S □□□ 056C23 MDSKS□□ 056-23 190
158	64	3.2	59.481	267	9322	309	9323	615	64	1.65E-04	GFL06 - 2S □□□ 056C23 MDSKS□□ 056-23 190
171	59	2.8	64.080	288	9322	333	9323	576	59	1.59E-04	GFL06 - 2S □□□ 056C23 MDSKS□□ 056-23 190
192	53	2.9	72.189	324	9322	375	9323	616	53	1.59E-04	GFL06 - 2S □□□ 056C23 MDSKS□□ 056-23 190
218	47	1.8	81.000	364	9322	421	9323	435	47	1.53E-04	GFL06 - 2S □□□ 056C23 MDSKS□□ 056-23 190
246	42	1.8	91.250	410	9322	475	9323	476	42	1.52E-04	GFL06 - 2S □□□ 056C23 MDSKS□□ 056-23 190
82	194	3.6	20.571	137	9323	179	9324	420	178	3.19E-04	GFL06 - 2S □□□ 056C33 MDSKS□□ 056-33 200
92	173	3.6	23.175	155	9323	202	9324	473	158	3.13E-04	GFL06 - 2S □□□ 056C33 MDSKS□□ 056-33 200
130	122	3.4	32.800	219	9323	285	9324	557	122	2.58E-04	GFL06 - 2S □□□ 056C33 MDSKS□□ 056-33 200
147	108	3.3	36.951	247	9323	321	9324	611	108	2.56E-04	GFL06 - 2S □□□ 056C33 MDSKS□□ 056-33 200
163	98	2.9	40.800	272	9323	355	9324	583	98	2.43E-04	GFL06 - 2S □□□ 056C33 MDSKS□□ 056-33 200
184	87	2.7	45.963	307	9323	400	9324	613	87	2.41E-04	GFL06 - 2S □□□ 056C33 MDSKS□□ 056-33 200
212	76	2.5	52.800	352	9323	459	9324	660	76	2.26E-04	GFL06 - 2S □□□ 056C33 MDSKS□□ 056-33 200
240	67	2.1	59.481	397	9323	517	9324	615	67	2.25E-04	GFL06 - 2S □□□ 056C33 MDSKS□□ 056-33 200
259	62	1.8	64.080	428	9323	557	9324	576	62	2.19E-04	GFL06 - 2S □□□ 056C33 MDSKS□□ 056-33 200
291	55	1.9	72.189	482	9323	628	9324	616	55	2.19E-04	GFL06 - 2S □□□ 056C33 MDSKS□□ 056-33 200
329	49	1.2	81.000	541	9323	652	9324	435	49	2.13E-04	GFL06 - 2S □□□ 056C33 MDSKS□□ 056-33 200
371	44	1.2	91.250	609	9323	714	9324	476	44	2.12E-04	GFL06 - 2S □□□ 056C33 MDSKS□□ 056-33 200
34	527	5.6	6.450	50	9323	66	9324	263	527	9.65E-04	GFL06 - 2S □□□ 071C03 MDSKS□□ 071-03 170
53	337	5.6	10.092	78	9323	104	9324	412	337	8.52E-04	GFL06 - 2S □□□ 071C03 MDSKS□□ 071-03 170
78	231	5.6	14.743	115	9323	152	9324	602	231	7.95E-04	GFL06 - 2S □□□ 071C03 MDSKS□□ 071-03 170
85	211	5.5	16.128	125	9323	166	9324	643	211	7.68E-04	GFL06 - 2S □□□ 071C03 MDSKS□□ 071-03 170
97	187	4.5	18.169	141	9323	187	9324	600	187	7.57E-04	GFL06 - 2S □□□ 071C03 MDSKS□□ 071-03 170
110	165	4.3	20.571	160	9323	211	9324	645	165	7.19E-04	GFL06 - 2S □□□ 071C03 MDSKS□□ 071-03 170
125	147	3.6	23.175	180	9323	238	9324	604	147	7.13E-04	GFL06 - 2S □□□ 071C03 MDSKS□□ 071-03 170
135	135	4.0	25.200	196	9323	259	9324	651	135	6.90E-04	GFL06 - 2S □□□ 071C03 MDSKS□□ 071-03 170
153	120	3.3	28.389	221	9323	292	9324	607	120	6.86E-04	GFL06 - 2S □□□ 071C03 MDSKS□□ 071-03 170
178	104	3.1	32.800	255	9323	337	9324	641	104	6.58E-04	GFL06 - 2S □□□ 071C03 MDSKS□□ 071-03 170
201	92	2.6	36.951	287	9323	380	9324	611	92	6.56E-04	GFL06 - 2S □□□ 071C03 MDSKS□□ 071-03 170
222	83	2.5	40.800	317	9323	419	9324	657	83	6.43E-04	GFL06 - 2S □□□ 071C03 MDSKS□□ 071-03 170
251	74	2.1	45.963	357	9323	472	9324	613	74	6.41E-04	GFL06 - 2S □□□ 071C03 MDSKS□□ 071-03 170

Observe the notes for thermal dimensioning.

Selection tables - Shaft-mounted helical gearboxes

Naturally ventilated synchronous geared servo motors



M ₂ [Nm]	n _{2 trans} [rpm]	c	i	M _{2 max} short-time on geared motor at				M _{2 Gr} gearbox c=1 n ₁ ≤ 1400 rpm [Nm]	n _{2 therm} [rpm]	J _{GM} referred to motor shaft [kgm ²]	Servo shaft-mounted helical geared motor Dimensions on Page 4-82
				8 kHz		16 kHz					
				M _{2 max} [Nm]	Type EVS	M _{2 max} [Nm]	Type EVS				
289	64	2.0	52.800	410	9323	543	9324	660	64	6.26E-04	GFL06 - 2S □□□ 071C03 MDSKS□□ 071-03 170
327	57	1.6	59.481	462	9323	611	9324	615	57	6.25E-04	GFL06 - 2S □□□ 071C03 MDSKS□□ 071-03 170
353	53	1.4	64.080	498	9323	658	9324	576	53	6.19E-04	GFL06 - 2S □□□ 071C03 MDSKS□□ 071-03 170
397	47	1.5	72.189	561	9323	742	9324	616	47	6.19E-04	GFL06 - 2S □□□ 071C03 MDSKS□□ 071-03 170
50	574	3.8	6.450	78	9324	107	9325	263	503	1.17E-03	GFL06 - 2S □□□ 071C13 MDSKS□□ 071-13 185
79	367	3.8	10.092	122	9324	168	9325	412	321	1.05E-03	GFL06 - 2S □□□ 071C13 MDSKS□□ 071-13 185
115	251	3.8	14.743	178	9324	246	9325	602	220	9.95E-04	GFL06 - 2S □□□ 071C13 MDSKS□□ 071-13 185
126	229	3.7	16.128	195	9324	269	9325	643	207	9.68E-04	GFL06 - 2S □□□ 071C13 MDSKS□□ 071-13 185
143	204	3.0	18.169	220	9324	303	9325	600	177	9.57E-04	GFL06 - 2S □□□ 071C13 MDSKS□□ 071-13 185
162	180	2.9	20.571	249	9324	343	9325	645	171	9.19E-04	GFL06 - 2S □□□ 071C13 MDSKS□□ 071-13 185
184	160	2.4	23.175	280	9324	386	9325	604	147	9.13E-04	GFL06 - 2S □□□ 071C13 MDSKS□□ 071-13 185
199	147	2.7	25.200	304	9324	420	9325	651	147	8.90E-04	GFL06 - 2S □□□ 071C13 MDSKS□□ 071-13 185
226	130	2.2	28.389	343	9324	473	9325	607	130	8.86E-04	GFL06 - 2S □□□ 071C13 MDSKS□□ 071-13 185
261	113	2.0	32.800	396	9324	546	9325	641	113	8.58E-04	GFL06 - 2S □□□ 071C13 MDSKS□□ 071-13 185
295	100	1.7	36.951	446	9324	616	9325	611	100	8.56E-04	GFL06 - 2S □□□ 071C13 MDSKS□□ 071-13 185
326	91	1.7	40.800	493	9324	680	9325	657	91	8.43E-04	GFL06 - 2S □□□ 071C13 MDSKS□□ 071-13 185
369	81	1.4	45.963	555	9324	766	9325	613	81	8.41E-04	GFL06 - 2S □□□ 071C13 MDSKS□□ 071-13 185
424	70	1.3	52.800	638	9324	880	9325	660	70	8.26E-04	GFL06 - 2S □□□ 071C13 MDSKS□□ 071-13 185
479	62	1.1	59.481	719	9324	922	9325	615	62	8.25E-04	GFL06 - 2S □□□ 071C13 MDSKS□□ 071-13 185
76	558	2.6	6.450	150	9325	112	9325	263	465	1.37E-03	GFL06 - 2S □□□ 071C33 MDSKS□□ 071-33 180
119	357	2.6	10.092	235	9325	176	9325	412	297	1.25E-03	GFL06 - 2S □□□ 071C33 MDSKS□□ 071-33 180
173	244	2.6	14.743	343	9325	257	9325	602	203	1.20E-03	GFL06 - 2S □□□ 071C33 MDSKS□□ 071-33 180
190	223	2.5	16.128	375	9325	281	9325	643	192	1.17E-03	GFL06 - 2S □□□ 071C33 MDSKS□□ 071-33 180
214	198	2.1	18.169	423	9325	317	9325	600	163	1.16E-03	GFL06 - 2S □□□ 071C33 MDSKS□□ 071-33 180
243	175	2.0	20.571	479	9325	359	9325	645	159	1.12E-03	GFL06 - 2S □□□ 071C33 MDSKS□□ 071-33 180
275	155	1.6	23.175	539	9325	404	9325	604	129	1.11E-03	GFL06 - 2S □□□ 071C33 MDSKS□□ 071-33 180
298	143	1.8	25.200	587	9325	439	9325	651	143	1.09E-03	GFL06 - 2S □□□ 071C33 MDSKS□□ 071-33 180
337	127	1.5	28.389	661	9325	495	9325	607	119	1.09E-03	GFL06 - 2S □□□ 071C33 MDSKS□□ 071-33 180
390	110	1.4	32.800	763	9325	572	9325	641	110	1.06E-03	GFL06 - 2S □□□ 071C33 MDSKS□□ 071-33 180
440	97	1.2	36.951	860	9325	644	9325	611	96	1.06E-03	GFL06 - 2S □□□ 071C33 MDSKS□□ 071-33 180
486	88	1.1	40.800	950	9325	711	9325	657	88	1.04E-03	GFL06 - 2S □□□ 071C33 MDSKS□□ 071-33 180
174	57	2.6	66.213	293	9322	339	9323	497	57	1.69E-04	GFL06 - 3S □□□ 056C23 MDSKS□□ 056-23 190
190	53	2.4	72.000	319	9322	369	9323	497	53	1.66E-04	GFL06 - 3S □□□ 056C23 MDSKS□□ 056-23 190
215	47	2.1	81.111	359	9322	416	9323	497	47	1.66E-04	GFL06 - 3S □□□ 056C23 MDSKS□□ 056-23 190

Observe the notes for thermal dimensioning.

Selection tables - Shaft-mounted helical gearboxes

Naturally ventilated synchronous geared servo motors

M ₂ [Nm]	n ₂ trans [rpm]	c	i	M ₂ max short-time on geared motor at				M ₂ Gr gearbox c=1 n ₁ ≤ 1400 rpm [Nm]	n ₂ therm [rpm]	J _{GM} referred to motor shaft [kgm ²]	Servo shaft-mounted helical geared motor Dimensions on Page 4-82
				8 kHz		16 kHz					
				M ₂ max [Nm]	Type EVS	M ₂ max [Nm]	Type EVS				
234	43	1.9	88.200	390	9322	452	9323	488	43	1.59E-04	GFL06 - 3S □□□ 056C23 MDSKS□□ 056-23 190
263	38	1.9	99.361	440	9322	509	9323	550	38	1.59E-04	GFL06 - 3S □□□ 056C23 MDSKS□□ 056-23 190
310	33	1.6	116.571	516	9322	597	9323	528	33	1.49E-04	GFL06 - 3S □□□ 056C23 MDSKS□□ 056-23 190
349	29	1.6	131.323	581	9322	673	9323	595	29	1.61E-04	GFL06 - 3S □□□ 056C23 MDSKS□□ 056-23 190
385	26	1.3	144.320	639	9322	739	9323	560	26	1.51E-04	GFL06 - 3S □□□ 056C23 MDSKS□□ 056-23 190
434	23	1.3	162.583	719	9322	833	9323	613	23	1.51E-04	GFL06 - 3S □□□ 056C23 MDSKS□□ 056-23 190
480	21	1.2	179.520	794	9322	908	9323	605	21	1.50E-04	GFL06 - 3S □□□ 056C23 MDSKS□□ 056-23 190
541	19	1.0	202.237	895	9322	916	9323	611	19	1.50E-04	GFL06 - 3S □□□ 056C23 MDSKS□□ 056-23 190
264	60	1.7	66.213	435	9323	567	9324	497	60	2.29E-04	GFL06 - 3S □□□ 056C33 MDSKS□□ 056-33 200
287	56	1.6	72.000	473	9323	617	9324	497	56	2.26E-04	GFL06 - 3S □□□ 056C33 MDSKS□□ 056-33 200
324	49	1.4	81.111	533	9323	695	9324	497	49	2.26E-04	GFL06 - 3S □□□ 056C33 MDSKS□□ 056-33 200
353	45	1.3	88.200	580	9323	732	9324	488	45	2.19E-04	GFL06 - 3S □□□ 056C33 MDSKS□□ 056-33 200
398	40	1.3	99.361	653	9323	824	9324	550	40	2.19E-04	GFL06 - 3S □□□ 056C33 MDSKS□□ 056-33 200
468	34	1.0	116.571	767	9323	792	9324	528	34	2.09E-04	GFL06 - 3S □□□ 056C33 MDSKS□□ 056-33 200
527	30	1.0	131.323	863	9323	893	9324	595	30	2.21E-04	GFL06 - 3S □□□ 056C33 MDSKS□□ 056-33 200
359	51	1.3	66.213	507	9323	670	9324	497	51	6.29E-04	GFL06 - 3S □□□ 071C03 MDSKS□□ 071-03 170
391	47	1.2	72.000	551	9323	729	9324	497	47	6.26E-04	GFL06 - 3S □□□ 071C03 MDSKS□□ 071-03 170
441	42	1.1	81.111	621	9323	745	9324	497	42	6.26E-04	GFL06 - 3S □□□ 071C03 MDSKS□□ 071-03 170
137	73	4.4	52.067	234	9322	271	9323	745	73	2.18E-04	GFL07 - 2S □□□ 056C23 MDSKS□□ 056-23 190
154	65	4.4	58.667	264	9322	305	9323	839	65	2.15E-04	GFL07 - 2S □□□ 056C23 MDSKS□□ 056-23 190
167	60	3.8	63.190	284	9322	329	9323	792	60	1.97E-04	GFL07 - 2S □□□ 056C23 MDSKS□□ 056-23 190
187	53	4.3	71.200	320	9322	370	9323	893	53	1.96E-04	GFL07 - 2S □□□ 056C23 MDSKS□□ 056-23 190
212	48	3.4	79.875	359	9322	415	9323	796	48	1.77E-04	GFL07 - 2S □□□ 056C23 MDSKS□□ 056-23 190
238	42	3.4	90.000	404	9322	468	9323	897	42	1.76E-04	GFL07 - 2S □□□ 056C23 MDSKS□□ 056-23 190
208	77	2.9	52.067	348	9323	453	9324	745	77	2.78E-04	GFL07 - 2S □□□ 056C33 MDSKS□□ 056-33 200
234	68	2.9	58.667	392	9323	510	9324	839	68	2.75E-04	GFL07 - 2S □□□ 056C33 MDSKS□□ 056-33 200
253	63	2.5	63.190	422	9323	549	9324	792	63	2.57E-04	GFL07 - 2S □□□ 056C33 MDSKS□□ 056-33 200
285	56	2.8	71.200	475	9323	619	9324	893	56	2.56E-04	GFL07 - 2S □□□ 056C33 MDSKS□□ 056-33 200
321	50	2.2	79.875	533	9323	694	9324	796	50	2.37E-04	GFL07 - 2S □□□ 056C33 MDSKS□□ 056-33 200
362	44	2.2	90.000	601	9323	782	9324	897	44	2.36E-04	GFL07 - 2S □□□ 056C33 MDSKS□□ 056-33 200
107	168	5.6	20.286	158	9323	208	9324	828	168	9.47E-04	GFL07 - 2S □□□ 071C03 MDSKS□□ 071-03 170
120	149	5.6	22.857	178	9323	235	9324	933	149	9.27E-04	GFL07 - 2S □□□ 071C03 MDSKS□□ 071-03 170
171	105	5.1	32.344	251	9323	332	9324	1048	105	7.69E-04	GFL07 - 2S □□□ 071C03 MDSKS□□ 071-03 170
193	93	5.1	36.444	283	9323	375	9324	1181	93	7.61E-04	GFL07 - 2S □□□ 071C03 MDSKS□□ 071-03 170

Observe the notes for thermal dimensioning.

Selection tables - Shaft-mounted helical gearboxes

Naturally ventilated synchronous geared servo motors



M ₂ [Nm]	n ₂ trans [rpm]	c	i	M ₂ max short-time on geared motor at				M ₂ Gr gearbox c=1 n ₁ ≤ 1400 rpm [Nm]	n ₂ therm [rpm]	J _{GM} referred to motor shaft [kgm ²]	Servo shaft-mounted helical geared motor Dimensions on Page 4-82
				8 kHz		16 kHz					
				M ₂ max [Nm]	Type EVS	M ₂ max [Nm]	Type EVS				
212	86	4.3	39.642	308	9323	407	9324	1093	86	7.25E-04	GFL07 - 2S □□□ 071C03 MDSKS□□ 071-03 170
239	76	4.3	44.667	347	9323	459	9324	1231	76	7.20E-04	GFL07 - 2S □□□ 071C03 MDSKS□□ 071-03 170
281	65	3.4	52.067	405	9323	535	9324	1127	65	6.78E-04	GFL07 - 2S □□□ 071C03 MDSKS□□ 071-03 170
316	58	3.4	58.667	456	9323	603	9324	1270	58	6.75E-04	GFL07 - 2S □□□ 071C03 MDSKS□□ 071-03 170
343	54	2.8	63.190	491	9323	649	9324	1145	54	6.57E-04	GFL07 - 2S □□□ 071C03 MDSKS□□ 071-03 170
385	48	3.1	71.200	553	9323	732	9324	1280	48	6.56E-04	GFL07 - 2S □□□ 071C03 MDSKS□□ 071-03 170
438	43	1.9	79.875	621	9323	821	9324	854	43	6.37E-04	GFL07 - 2S □□□ 071C03 MDSKS□□ 071-03 170
494	38	1.8	90.000	699	9323	925	9324	930	38	6.36E-04	GFL07 - 2S □□□ 071C03 MDSKS□□ 071-03 170
159	182	3.8	20.286	245	9324	338	9325	828	161	1.15E-03	GFL07 - 2S □□□ 071C13 MDSKS□□ 071-13 185
179	162	3.8	22.857	276	9324	381	9325	933	143	1.13E-03	GFL07 - 2S □□□ 071C13 MDSKS□□ 071-13 185
254	114	3.4	32.344	391	9324	539	9325	1048	114	9.69E-04	GFL07 - 2S □□□ 071C13 MDSKS□□ 071-13 185
286	102	3.4	36.444	440	9324	607	9325	1181	102	9.61E-04	GFL07 - 2S □□□ 071C13 MDSKS□□ 071-13 185
313	93	2.9	39.642	479	9324	660	9325	1093	93	9.25E-04	GFL07 - 2S □□□ 071C13 MDSKS□□ 071-13 185
353	83	2.9	44.667	540	9324	744	9325	1231	83	9.20E-04	GFL07 - 2S □□□ 071C13 MDSKS□□ 071-13 185
414	71	2.3	52.067	629	9324	867	9325	1127	71	8.78E-04	GFL07 - 2S □□□ 071C13 MDSKS□□ 071-13 185
466	63	2.3	58.667	709	9324	977	9325	1270	63	8.75E-04	GFL07 - 2S □□□ 071C13 MDSKS□□ 071-13 185
504	59	1.9	63.190	763	9324	1053	9325	1145	59	8.57E-04	GFL07 - 2S □□□ 071C13 MDSKS□□ 071-13 185
567	52	2.1	71.200	860	9324	1186	9325	1280	52	8.56E-04	GFL07 - 2S □□□ 071C13 MDSKS□□ 071-13 185
642	46	1.2	79.875	965	9324	1281	9325	854	46	8.37E-04	GFL07 - 2S □□□ 071C13 MDSKS□□ 071-13 185
723	41	1.2	90.000	1087	9324	1396	9325	930	41	8.36E-04	GFL07 - 2S □□□ 071C13 MDSKS□□ 071-13 185
238	177	2.6	20.286	472	9325	354	9325	828	149	1.35E-03	GFL07 - 2S □□□ 071C33 MDSKS□□ 071-33 180
268	158	2.6	22.857	532	9325	398	9325	933	132	1.33E-03	GFL07 - 2S □□□ 071C33 MDSKS□□ 071-33 180
381	111	2.3	32.344	753	9325	564	9325	1048	111	1.17E-03	GFL07 - 2S □□□ 071C33 MDSKS□□ 071-33 180
429	99	2.3	36.444	848	9325	635	9325	1181	99	1.16E-03	GFL07 - 2S □□□ 071C33 MDSKS□□ 071-33 180
468	91	2.0	39.642	923	9325	691	9325	1093	91	1.13E-03	GFL07 - 2S □□□ 071C33 MDSKS□□ 071-33 180
528	81	2.0	44.667	1040	9325	778	9325	1231	81	1.12E-03	GFL07 - 2S □□□ 071C33 MDSKS□□ 071-33 180
618	69	1.5	52.067	1212	9325	907	9325	1127	69	1.08E-03	GFL07 - 2S □□□ 071C33 MDSKS□□ 071-33 180
696	61	1.5	58.667	1366	9325	1022	9325	1270	61	1.08E-03	GFL07 - 2S □□□ 071C33 MDSKS□□ 071-33 180
752	57	1.3	63.190	1471	9325	1101	9325	1145	57	1.06E-03	GFL07 - 2S □□□ 071C33 MDSKS□□ 071-33 180
846	51	1.4	71.200	1657	9325	1241	9325	1280	51	1.06E-03	GFL07 - 2S □□□ 071C33 MDSKS□□ 071-33 180
168	58	4.7	65.306	289	9322	335	9323	883	58	2.19E-04	GFL07 - 3S □□□ 056C23 MDSKS□□ 056-23 190
187	52	4.1	72.452	321	9322	371	9323	869	52	2.29E-04	GFL07 - 3S □□□ 056C23 MDSKS□□ 056-23 190
211	47	4.1	81.636	361	9322	418	9323	979	47	2.28E-04	GFL07 - 3S □□□ 056C23 MDSKS□□ 056-23 190
241	41	3.6	92.413	409	9322	473	9323	961	41	2.01E-04	GFL07 - 3S □□□ 056C23 MDSKS□□ 056-23 190

Observe the notes for thermal dimensioning.

Selection tables - Shaft-mounted helical gearboxes

Naturally ventilated synchronous geared servo motors

M ₂ [Nm]	n _{2 trans} [rpm]	c	i	M _{2 max} short-time on geared motor at				M _{2 Gr} gearbox c=1 n ₁ ≤1400 rpm [Nm]	n _{2 therm} [rpm]	J _{GM} referred to motor shaft [kgm ²]	Servo shaft-mounted helical geared motor Dimensions on Page 4-82
				8 kHz		16 kHz					
				M _{2 max} [Nm]	Type EVS	M _{2 max} [Nm]	Type EVS				
271	36	3.6	104.127	461	9322	533	9323	1082	36	2.00E-04	GFLO7 - 3S □□□ 056C23 MDSKS□□ 056-23 190
296	34	3.2	113.206	501	9322	580	9323	1040	34	1.85E-04	GFLO7 - 3S □□□ 056C23 MDSKS□□ 056-23 190
334	30	3.2	127.556	564	9322	653	9323	1171	30	1.84E-04	GFLO7 - 3S □□□ 056C23 MDSKS□□ 056-23 190
387	26	2.7	147.347	652	9322	755	9323	1140	26	1.67E-04	GFLO7 - 3S □□□ 056C23 MDSKS□□ 056-23 190
437	23	2.6	166.025	735	9322	850	9323	1248	23	1.67E-04	GFLO7 - 3S □□□ 056C23 MDSKS□□ 056-23 190
484	21	2.3	183.285	811	9322	939	9323	1236	21	1.59E-04	GFLO7 - 3S □□□ 056C23 MDSKS□□ 056-23 190
546	18	2.1	206.519	914	9322	1058	9323	1248	18	1.59E-04	GFLO7 - 3S □□□ 056C23 MDSKS□□ 056-23 190
594	17	2.1	224.636	994	9322	1151	9323	1343	17	1.58E-04	GFLO7 - 3S □□□ 056C23 MDSKS□□ 056-23 190
672	15	1.7	253.111	1120	9322	1297	9323	1258	15	1.58E-04	GFLO7 - 3S □□□ 056C23 MDSKS□□ 056-23 190
773	13	1.6	290.706	1286	9322	1489	9323	1378	13	1.51E-04	GFLO7 - 3S □□□ 056C23 MDSKS□□ 056-23 190
874	12	1.3	327.556	1449	9322	1678	9323	1258	12	1.51E-04	GFLO7 - 3S □□□ 056C23 MDSKS□□ 056-23 190
941	11	1.3	352.811	1561	9322	1807	9323	1378	11	1.48E-04	GFLO7 - 3S □□□ 056C23 MDSKS□□ 056-23 190
1063	9.6	1.1	397.533	1759	9322	1887	9323	1258	9.6	1.48E-04	GFLO7 - 3S □□□ 056C23 MDSKS□□ 056-23 190
1151	8.8	1.0	430.222	1904	9322	1905	9323	1270	8.8	1.50E-04	GFLO7 - 3S □□□ 056C23 MDSKS□□ 056-23 190
256	61	3.1	65.306	429	9323	559	9324	883	61	2.79E-04	GFLO7 - 3S □□□ 056C33 MDSKS□□ 056-33 200
286	55	2.7	72.452	476	9323	620	9324	869	55	2.89E-04	GFLO7 - 3S □□□ 056C33 MDSKS□□ 056-33 200
322	49	2.7	81.636	537	9323	699	9324	979	49	2.88E-04	GFLO7 - 3S □□□ 056C33 MDSKS□□ 056-33 200
366	43	2.4	92.413	608	9323	791	9324	961	43	2.61E-04	GFLO7 - 3S □□□ 056C33 MDSKS□□ 056-33 200
412	38	2.4	104.127	685	9323	892	9324	1082	38	2.60E-04	GFLO7 - 3S □□□ 056C33 MDSKS□□ 056-33 200
449	35	2.1	113.206	744	9323	969	9324	1040	35	2.45E-04	GFLO7 - 3S □□□ 056C33 MDSKS□□ 056-33 200
506	31	2.1	127.556	839	9323	1092	9324	1171	31	2.44E-04	GFLO7 - 3S □□□ 056C33 MDSKS□□ 056-33 200
587	27	1.8	147.347	969	9323	1262	9324	1140	27	2.27E-04	GFLO7 - 3S □□□ 056C33 MDSKS□□ 056-33 200
662	24	1.7	166.025	1092	9323	1422	9324	1248	24	2.27E-04	GFLO7 - 3S □□□ 056C33 MDSKS□□ 056-33 200
732	22	1.5	183.285	1205	9323	1569	9324	1236	22	2.19E-04	GFLO7 - 3S □□□ 056C33 MDSKS□□ 056-33 200
826	19	1.4	206.519	1358	9323	1768	9324	1248	19	2.19E-04	GFLO7 - 3S □□□ 056C33 MDSKS□□ 056-33 200
898	18	1.4	224.636	1477	9323	1924	9324	1343	18	2.18E-04	GFLO7 - 3S □□□ 056C33 MDSKS□□ 056-33 200
1015	16	1.1	253.111	1664	9323	1887	9324	1258	16	2.18E-04	GFLO7 - 3S □□□ 056C33 MDSKS□□ 056-33 200
1166	14	1.1	290.706	1911	9323	2067	9324	1378	14	2.11E-04	GFLO7 - 3S □□□ 056C33 MDSKS□□ 056-33 200
351	52	2.4	65.306	500	9323	661	9324	883	52	6.79E-04	GFLO7 - 3S □□□ 071C03 MDSKS□□ 071-03 170
390	47	2.1	72.452	555	9323	733	9324	869	47	6.89E-04	GFLO7 - 3S □□□ 071C03 MDSKS□□ 071-03 170
440	42	2.1	81.636	625	9323	826	9324	979	42	6.88E-04	GFLO7 - 3S □□□ 071C03 MDSKS□□ 071-03 170
499	37	1.8	92.413	707	9323	935	9324	961	37	6.61E-04	GFLO7 - 3S □□□ 071C03 MDSKS□□ 071-03 170
562	33	1.8	104.127	797	9323	1054	9324	1082	33	6.60E-04	GFLO7 - 3S □□□ 071C03 MDSKS□□ 071-03 170
613	30	1.6	113.206	867	9323	1146	9324	1040	30	6.45E-04	GFLO7 - 3S □□□ 071C03 MDSKS□□ 071-03 170

Observe the notes for thermal dimensioning.

Selection tables - Shaft-mounted helical gearboxes

Naturally ventilated synchronous geared servo motors



M ₂ [Nm]	n _{2 trans} [rpm]	c	i	M _{2 max} short-time on geared motor at				M _{2 Gr} gearbox c=1 n ₁ ≤ 1400 rpm [Nm]	n _{2 therm} [rpm]	J _{GM} referred to motor shaft [kgm ²]	Servo shaft-mounted helical geared motor Dimensions on Page 4-82
				8 kHz		16 kHz					
				M _{2 max} [Nm]	Type EVS	M _{2 max} [Nm]	Type EVS				
690	27	1.6	127.556	976	9323	1291	9324	1171	27	6.44E-04	GFL07 - 3S □□□ 071C03 MDSKS□□ 071-03 170
800	23	1.4	147.347	1128	9323	1491	9324	1140	23	6.27E-04	GFL07 - 3S □□□ 071C03 MDSKS□□ 071-03 170
901	20	1.3	166.025	1271	9323	1680	9324	1248	20	6.27E-04	GFL07 - 3S □□□ 071C03 MDSKS□□ 071-03 170
996	19	1.2	183.285	1403	9323	1853	9324	1236	19	6.19E-04	GFL07 - 3S □□□ 071C03 MDSKS□□ 071-03 170
1124	16	1.1	206.519	1581	9323	1872	9324	1248	16	6.19E-04	GFL07 - 3S □□□ 071C03 MDSKS□□ 071-03 170
1223	15	1.1	224.636	1720	9323	2015	9324	1343	15	6.18E-04	GFL07 - 3S □□□ 071C03 MDSKS□□ 071-03 170
515	57	1.6	65.306	777	9324	1072	9325	883	57	8.79E-04	GFL07 - 3S □□□ 071C13 MDSKS□□ 071-13 185
572	51	1.4	72.452	862	9324	1189	9325	869	51	8.89E-04	GFL07 - 3S □□□ 071C13 MDSKS□□ 071-13 185
645	45	1.4	81.636	971	9324	1340	9325	979	45	8.88E-04	GFL07 - 3S □□□ 071C13 MDSKS□□ 071-13 185
731	40	1.2	92.413	1100	9324	1441	9325	961	40	8.61E-04	GFL07 - 3S □□□ 071C13 MDSKS□□ 071-13 185
824	36	1.2	104.127	1239	9324	1624	9325	1082	36	8.60E-04	GFL07 - 3S □□□ 071C13 MDSKS□□ 071-13 185
897	33	1.1	113.206	1347	9324	1559	9325	1040	33	8.45E-04	GFL07 - 3S □□□ 071C13 MDSKS□□ 071-13 185
1011	29	1.1	127.556	1518	9324	1757	9325	1171	29	8.44E-04	GFL07 - 3S □□□ 071C13 MDSKS□□ 071-13 185
767	55	1.1	65.306	1324	9325	1121	9325	883	55	1.08E-03	GFL07 - 3S □□□ 071C33 MDSKS□□ 071-33 180
383	26	4.8	148.815	659	9322	762	9323	2053	26	2.17E-04	GFL09 - 3S □□□ 056C23 MDSKS□□ 056-23 190
431	23	4.8	167.712	742	9322	859	9323	2314	23	2.16E-04	GFL09 - 3S □□□ 056C23 MDSKS□□ 056-23 190
479	21	4.2	185.111	819	9322	948	9323	2232	21	1.95E-04	GFL09 - 3S □□□ 056C23 MDSKS□□ 056-23 190
540	18	4.2	208.617	923	9322	1069	9323	2515	18	1.94E-04	GFL09 - 3S □□□ 056C23 MDSKS□□ 056-23 190
584	17	3.7	224.778	995	9322	1151	9323	2407	17	1.91E-04	GFL09 - 3S □□□ 056C23 MDSKS□□ 056-23 190
659	15	3.7	253.321	1121	9322	1298	9323	2712	15	1.90E-04	GFL09 - 3S □□□ 056C23 MDSKS□□ 056-23 190
761	13	3.1	290.889	1287	9322	1490	9323	2640	13	1.71E-04	GFL09 - 3S □□□ 056C23 MDSKS□□ 056-23 190
858	12	3.1	327.827	1451	9322	1679	9323	2976	12	1.71E-04	GFL09 - 3S □□□ 056C23 MDSKS□□ 056-23 190
927	11	2.8	353.033	1562	9322	1808	9323	2813	11	1.63E-04	GFL09 - 3S □□□ 056C23 MDSKS□□ 056-23 190
1045	9.6	2.8	397.863	1760	9322	2038	9323	3170	9.6	1.62E-04	GFL09 - 3S □□□ 056C23 MDSKS□□ 056-23 190
1121	9.0	2.2	424.247	1877	9322	2173	9323	2724	9.0	1.69E-04	GFL09 - 3S □□□ 056C23 MDSKS□□ 056-23 190
1366	7.4	1.8	514.881	2278	9322	2637	9323	2724	7.4	1.61E-04	GFL09 - 3S □□□ 056C23 MDSKS□□ 056-23 190
1479	6.9	1.3	554.470	2453	9322	2840	9323	2113	6.9	1.60E-04	GFL09 - 3S □□□ 056C23 MDSKS□□ 056-23 190
1668	6.1	1.3	624.879	2765	9322	3201	9323	2273	6.1	1.60E-04	GFL09 - 3S □□□ 056C23 MDSKS□□ 056-23 190
1875	5.4	1.0	700.875	3101	9322	3169	9323	2113	5.4	1.53E-04	GFL09 - 3S □□□ 056C23 MDSKS□□ 056-23 190
246	63	4.1	63.326	416	9323	542	9324	1272	63	4.34E-04	GFL09 - 3S □□□ 056C33 MDSKS□□ 056-33 200
362	43	4.1	93.333	614	9323	799	9324	1692	43	3.68E-04	GFL09 - 3S □□□ 056C33 MDSKS□□ 056-33 200
408	38	4.1	105.185	692	9323	901	9324	1907	38	3.65E-04	GFL09 - 3S □□□ 056C33 MDSKS□□ 056-33 200
584	27	3.1	148.815	979	9323	1274	9324	2053	27	2.77E-04	GFL09 - 3S □□□ 056C33 MDSKS□□ 056-33 200
658	24	3.1	167.712	1103	9323	1436	9324	2314	24	2.76E-04	GFL09 - 3S □□□ 056C33 MDSKS□□ 056-33 200

Observe the notes for thermal dimensioning.

Selection tables - Shaft-mounted helical gearboxes

Naturally ventilated synchronous geared servo motors

M ₂ [Nm]	n ₂ trans [rpm]	c	i	M ₂ max short-time on geared motor at				M ₂ Gr gearbox c=1 n ₁ ≤ 1400 rpm [Nm]	n ₂ therm [rpm]	J _{GM} referred to motor shaft [kgm ²]	Servo shaft-mounted helical geared motor Dimensions on Page 4-82
				8 kHz		16 kHz					
				M ₂ max [Nm]	Type EVS	M ₂ max [Nm]	Type EVS				
730	22	2.7	185.111	1217	9323	1585	9324	2232	22	2.55E-04	GFLO9 - 3S □□□ 056C33 MDSKS□□ 056-33 200
822	19	2.7	208.617	1372	9323	1786	9324	2515	19	2.54E-04	GFLO9 - 3S □□□ 056C33 MDSKS□□ 056-33 200
889	18	2.4	224.778	1478	9323	1925	9324	2407	18	2.51E-04	GFLO9 - 3S □□□ 056C33 MDSKS□□ 056-33 200
1002	16	2.4	253.321	1666	9323	2169	9324	2712	16	2.50E-04	GFLO9 - 3S □□□ 056C33 MDSKS□□ 056-33 200
1155	14	2.1	290.889	1913	9323	2491	9324	2640	14	2.31E-04	GFLO9 - 3S □□□ 056C33 MDSKS□□ 056-33 200
1301	12	2.1	327.827	2156	9323	2807	9324	2976	12	2.31E-04	GFLO9 - 3S □□□ 056C33 MDSKS□□ 056-33 200
1405	11	1.8	353.033	2321	9323	3023	9324	2813	11	2.23E-04	GFLO9 - 3S □□□ 056C33 MDSKS□□ 056-33 200
1584	10	1.8	397.863	2616	9323	3407	9324	3170	10	2.22E-04	GFLO9 - 3S □□□ 056C33 MDSKS□□ 056-33 200
1695	9.4	1.5	424.247	2789	9323	3633	9324	2724	9.4	2.29E-04	GFLO9 - 3S □□□ 056C33 MDSKS□□ 056-33 200
2062	7.8	1.2	514.881	3385	9323	4086	9324	2724	7.8	2.21E-04	GFLO9 - 3S □□□ 056C33 MDSKS□□ 056-33 200
335	54	3.8	63.326	485	9323	641	9324	1510	54	8.34E-04	GFLO9 - 3S □□□ 071C03 MDSKS□□ 071-03 170
388	46	3.7	73.173	560	9323	741	9324	1517	46	8.47E-04	GFLO9 - 3S □□□ 071C03 MDSKS□□ 071-03 170
437	41	3.7	82.465	631	9323	835	9324	1710	41	8.43E-04	GFLO9 - 3S □□□ 071C03 MDSKS□□ 071-03 170
497	36	3.2	93.333	715	9323	945	9324	1692	36	7.68E-04	GFLO9 - 3S □□□ 071C03 MDSKS□□ 071-03 170
560	32	3.2	105.185	805	9323	1065	9324	1907	32	7.65E-04	GFLO9 - 3S □□□ 071C03 MDSKS□□ 071-03 170
611	30	2.8	114.333	875	9323	1157	9324	1847	30	7.23E-04	GFLO9 - 3S □□□ 071C03 MDSKS□□ 071-03 170
688	26	2.8	128.852	986	9323	1304	9324	2082	26	7.21E-04	GFLO9 - 3S □□□ 071C03 MDSKS□□ 071-03 170
799	23	2.4	148.815	1139	9323	1506	9324	2053	23	6.77E-04	GFLO9 - 3S □□□ 071C03 MDSKS□□ 071-03 170
900	20	2.4	167.712	1284	9323	1697	9324	2314	20	6.76E-04	GFLO9 - 3S □□□ 071C03 MDSKS□□ 071-03 170
997	18	2.1	185.111	1417	9323	1873	9324	2232	18	6.55E-04	GFLO9 - 3S □□□ 071C03 MDSKS□□ 071-03 170
1123	16	2.1	208.617	1597	9323	2111	9324	2515	16	6.54E-04	GFLO9 - 3S □□□ 071C03 MDSKS□□ 071-03 170
1213	15	1.9	224.778	1721	9323	2275	9324	2407	15	6.51E-04	GFLO9 - 3S □□□ 071C03 MDSKS□□ 071-03 170
1367	13	1.9	253.321	1939	9323	2564	9324	2712	13	6.50E-04	GFLO9 - 3S □□□ 071C03 MDSKS□□ 071-03 170
1575	12	1.6	290.889	2227	9323	2944	9324	2640	12	6.31E-04	GFLO9 - 3S □□□ 071C03 MDSKS□□ 071-03 170
1775	10	1.6	327.827	2510	9323	3318	9324	2976	10	6.31E-04	GFLO9 - 3S □□□ 071C03 MDSKS□□ 071-03 170
1915	9.6	1.4	353.033	2702	9323	3573	9324	2813	9.6	6.23E-04	GFLO9 - 3S □□□ 071C03 MDSKS□□ 071-03 170
2158	8.6	1.4	397.863	3046	9323	4027	9324	3170	8.6	6.22E-04	GFLO9 - 3S □□□ 071C03 MDSKS□□ 071-03 170
2308	8.0	1.1	424.247	3248	9323	4086	9324	2724	8.0	6.29E-04	GFLO9 - 3S □□□ 071C03 MDSKS□□ 071-03 170
494	58	2.5	63.326	754	9324	1039	9325	1510	58	1.03E-03	GFLO9 - 3S □□□ 071C13 MDSKS□□ 071-13 185
572	51	2.4	73.173	871	9324	1201	9325	1517	51	1.05E-03	GFLO9 - 3S □□□ 071C13 MDSKS□□ 071-13 185
644	45	2.4	82.465	981	9324	1353	9325	1710	45	1.04E-03	GFLO9 - 3S □□□ 071C13 MDSKS□□ 071-13 185
732	40	2.1	93.333	1111	9324	1532	9325	1692	40	9.68E-04	GFLO9 - 3S □□□ 071C13 MDSKS□□ 071-13 185
824	35	2.1	105.185	1252	9324	1726	9325	1907	35	9.65E-04	GFLO9 - 3S □□□ 071C13 MDSKS□□ 071-13 185
898	32	1.9	114.333	1360	9324	1876	9325	1847	32	9.23E-04	GFLO9 - 3S □□□ 071C13 MDSKS□□ 071-13 185

Observe the notes for thermal dimensioning.

Selection tables - Shaft-mounted helical gearboxes

Naturally ventilated synchronous geared servo motors



M ₂ [Nm]	n _{2 trans} [rpm]	c	i	M _{2 max} short-time on geared motor at				M _{2 Gr} gearbox c=1 n ₁ ≤ 1400 rpm [Nm]	n _{2 therm} [rpm]	J _{GM} referred to motor shaft [kgm ²]	Servo shaft-mounted helical geared motor Dimensions on Page 4-82
				8 kHz		16 kHz					
				M _{2 max} [Nm]	Type EVS	M _{2 max} [Nm]	Type EVS				
1012	29	1.9	128.852	1533	9324	2114	9325	2082	29	9.21E-04	GFL09 - 3S □□□ 071C13 MDSKS□□ 071-13 185
1173	25	1.6	148.815	1771	9324	2442	9325	2053	25	8.77E-04	GFL09 - 3S □□□ 071C13 MDSKS□□ 071-13 185
1322	22	1.6	167.712	1996	9324	2752	9325	2314	22	8.76E-04	GFL09 - 3S □□□ 071C13 MDSKS□□ 071-13 185
1462	20	1.4	185.111	2203	9324	3038	9325	2232	20	8.55E-04	GFL09 - 3S □□□ 071C13 MDSKS□□ 071-13 185
1648	18	1.4	208.617	2482	9324	3423	9325	2515	18	8.54E-04	GFL09 - 3S □□□ 071C13 MDSKS□□ 071-13 185
1778	16	1.3	224.778	2674	9324	3610	9325	2407	16	8.51E-04	GFL09 - 3S □□□ 071C13 MDSKS□□ 071-13 185
2004	15	1.3	253.321	3014	9324	4068	9325	2712	15	8.50E-04	GFL09 - 3S □□□ 071C13 MDSKS□□ 071-13 185
2306	13	1.1	290.889	3461	9324	3960	9325	2640	13	8.31E-04	GFL09 - 3S □□□ 071C13 MDSKS□□ 071-13 185
2599	11	1.1	327.827	3901	9324	4463	9325	2976	11	8.31E-04	GFL09 - 3S □□□ 071C13 MDSKS□□ 071-13 185
739	57	1.7	63.326	1452	9325	1087	9325	1510	57	1.23E-03	GFL09 - 3S □□□ 071C33 MDSKS□□ 071-33 180
854	49	1.7	73.173	1678	9325	1256	9325	1517	47	1.25E-03	GFL09 - 3S □□□ 071C33 MDSKS□□ 071-33 180
963	44	1.7	82.465	1891	9325	1415	9325	1710	42	1.24E-03	GFL09 - 3S □□□ 071C33 MDSKS□□ 071-33 180
1092	39	1.5	93.333	2140	9325	1602	9325	1692	39	1.17E-03	GFL09 - 3S □□□ 071C33 MDSKS□□ 071-33 180
1231	34	1.5	105.185	2412	9325	1805	9325	1907	34	1.17E-03	GFL09 - 3S □□□ 071C33 MDSKS□□ 071-33 180
1340	31	1.3	114.333	2621	9325	1962	9325	1847	31	1.12E-03	GFL09 - 3S □□□ 071C33 MDSKS□□ 071-33 180
1510	28	1.3	128.852	2954	9325	2212	9325	2082	28	1.12E-03	GFL09 - 3S □□□ 071C33 MDSKS□□ 071-33 180
1747	24	1.1	148.815	3080	9325	2554	9325	2053	24	1.08E-03	GFL09 - 3S □□□ 071C33 MDSKS□□ 071-33 180
1969	21	1.1	167.712	3471	9325	2879	9325	2314	21	1.08E-03	GFL09 - 3S □□□ 071C33 MDSKS□□ 071-33 180
925	11	4.3	358.077	1584	9322	1834	9323	4423	11	2.08E-04	GFL11 - 3S □□□ 056C23 MDSKS□□ 056-23 190
1043	9.4	4.3	403.467	1785	9322	2067	9323	4984	9.4	2.07E-04	GFL11 - 3S □□□ 056C23 MDSKS□□ 056-23 190
1106	8.8	4.8	430.222	1904	9322	2204	9323	5942	8.8	2.25E-04	GFL11 - 3S □□□ 056C23 MDSKS□□ 056-23 190
1354	7.3	3.9	522.133	2310	9322	2675	9323	5942	7.3	2.02E-04	GFL11 - 3S □□□ 056C23 MDSKS□□ 056-23 190
1469	6.8	3.3	562.391	2488	9322	2881	9323	5319	6.8	2.00E-04	GFL11 - 3S □□□ 056C23 MDSKS□□ 056-23 190
1657	6.0	3.2	633.680	2804	9322	3246	9323	5844	6.0	2.00E-04	GFL11 - 3S □□□ 056C23 MDSKS□□ 056-23 190
1871	5.4	2.6	710.888	3146	9322	3642	9323	5319	5.4	1.79E-04	GFL11 - 3S □□□ 056C23 MDSKS□□ 056-23 190
2109	4.7	2.5	801.000	3544	9322	4103	9323	5844	4.7	1.78E-04	GFL11 - 3S □□□ 056C23 MDSKS□□ 056-23 190
1410	11	2.8	358.077	2354	9323	3066	9324	4423	11	2.68E-04	GFL11 - 3S □□□ 056C33 MDSKS□□ 056-33 200
1589	9.9	2.8	403.467	2653	9323	3455	9324	4984	9.9	2.67E-04	GFL11 - 3S □□□ 056C33 MDSKS□□ 056-33 200
1688	9.3	3.1	430.222	2829	9323	3684	9324	5942	9.3	2.85E-04	GFL11 - 3S □□□ 056C33 MDSKS□□ 056-33 200
2061	7.7	2.6	522.133	3433	9323	4471	9324	5942	7.7	2.62E-04	GFL11 - 3S □□□ 056C33 MDSKS□□ 056-33 200
2230	7.1	2.1	562.391	3698	9323	4816	9324	5319	7.1	2.60E-04	GFL11 - 3S □□□ 056C33 MDSKS□□ 056-33 200
2515	6.3	2.1	633.680	4167	9323	5426	9324	5844	6.3	2.60E-04	GFL11 - 3S □□□ 056C33 MDSKS□□ 056-33 200
2833	5.6	1.7	710.888	4674	9323	6087	9324	5319	5.6	2.39E-04	GFL11 - 3S □□□ 056C33 MDSKS□□ 056-33 200
3193	5.0	1.7	801.000	5267	9323	6859	9324	5844	5.0	2.38E-04	GFL11 - 3S □□□ 056C33 MDSKS□□ 056-33 200

Observe the notes for thermal dimensioning.

Selection tables - Shaft-mounted helical gearboxes

Naturally ventilated synchronous geared servo motors

M ₂ [Nm]	n ₂ trans [rpm]	c	i	M ₂ max short-time on geared motor at				M ₂ Gr gearbox c=1 n ₁ ≤ 1400 rpm [Nm]	n ₂ therm [rpm]	J _{GM} referred to motor shaft [kgm ²]	Servo shaft-mounted helical geared motor Dimensions on Page 4-82
				8 kHz		16 kHz					
				M ₂ max [Nm]	Type EVS	M ₂ max [Nm]	Type EVS				
782	23	4.6	149.144	1142	9323	1509	9324	3894	23	8.30E-04	GFL11 - 3S □□□ 071C03 MDSKS□□ 071-03 170
881	20	4.6	168.049	1286	9323	1701	9324	4387	20	8.27E-04	GFL11 - 3S □□□ 071C03 MDSKS□□ 071-03 170
964	19	4.1	182.792	1399	9323	1850	9324	4233	19	7.66E-04	GFL11 - 3S □□□ 071C03 MDSKS□□ 071-03 170
1086	17	4.1	205.963	1577	9323	2085	9324	4769	17	7.64E-04	GFL11 - 3S □□□ 071C03 MDSKS□□ 071-03 170
1191	15	3.5	224.636	1720	9323	2273	9324	4523	15	7.52E-04	GFL11 - 3S □□□ 071C03 MDSKS□□ 071-03 170
1342	13	3.5	253.111	1938	9323	2562	9324	5097	13	7.50E-04	GFL11 - 3S □□□ 071C03 MDSKS□□ 071-03 170
1420	13	3.4	267.259	2046	9323	2705	9324	5106	13	7.87E-04	GFL11 - 3S □□□ 071C03 MDSKS□□ 071-03 170
1748	10	3.0	327.556	2507	9323	3315	9324	5523	10	7.37E-04	GFL11 - 3S □□□ 071C03 MDSKS□□ 071-03 170
1918	9.5	2.6	358.077	2741	9323	3624	9324	5283	9.5	6.68E-04	GFL11 - 3S □□□ 071C03 MDSKS□□ 071-03 170
2161	8.4	2.6	403.467	3089	9323	4083	9324	5952	8.4	6.67E-04	GFL11 - 3S □□□ 071C03 MDSKS□□ 071-03 170
2308	7.9	2.4	430.222	3293	9323	4354	9324	5942	7.9	6.85E-04	GFL11 - 3S □□□ 071C03 MDSKS□□ 071-03 170
2814	6.5	2.0	522.133	3997	9323	5284	9324	5942	6.5	6.62E-04	GFL11 - 3S □□□ 071C03 MDSKS□□ 071-03 170
3042	6.1	1.7	562.391	4305	9323	5692	9324	5319	6.1	6.60E-04	GFL11 - 3S □□□ 071C03 MDSKS□□ 071-03 170
3429	5.4	1.6	633.680	4851	9323	6413	9324	5844	5.4	6.60E-04	GFL11 - 3S □□□ 071C03 MDSKS□□ 071-03 170
3860	4.8	1.3	710.888	5442	9323	7195	9324	5319	4.8	6.39E-04	GFL11 - 3S □□□ 071C03 MDSKS□□ 071-03 170
4350	4.2	1.3	801.000	6132	9323	8107	9324	5844	4.2	6.38E-04	GFL11 - 3S □□□ 071C03 MDSKS□□ 071-03 170
498	57	4.7	65.306	777	9324	1072	9325	2626	57	1.50E-03	GFL11 - 3S □□□ 071C13 MDSKS□□ 071-13 185
718	40	4.0	93.540	1113	9324	1535	9325	3206	40	1.30E-03	GFL11 - 3S □□□ 071C13 MDSKS□□ 071-13 185
810	35	4.0	105.397	1254	9324	1729	9325	3613	35	1.30E-03	GFL11 - 3S □□□ 071C13 MDSKS□□ 071-13 185
1157	25	3.1	149.144	1775	9324	2447	9325	3894	25	1.03E-03	GFL11 - 3S □□□ 071C13 MDSKS□□ 071-13 185
1304	22	3.1	168.049	2000	9324	2758	9325	4387	22	1.03E-03	GFL11 - 3S □□□ 071C13 MDSKS□□ 071-13 185
1424	20	2.7	182.792	2175	9324	2999	9325	4233	20	9.66E-04	GFL11 - 3S □□□ 071C13 MDSKS□□ 071-13 185
1604	18	2.7	205.963	2451	9324	3380	9325	4769	18	9.64E-04	GFL11 - 3S □□□ 071C13 MDSKS□□ 071-13 185
1756	16	2.4	224.636	2673	9324	3686	9325	4523	16	9.52E-04	GFL11 - 3S □□□ 071C13 MDSKS□□ 071-13 185
1979	15	2.4	253.111	3012	9324	4153	9325	5097	15	9.50E-04	GFL11 - 3S □□□ 071C13 MDSKS□□ 071-13 185
2092	14	2.2	267.259	3180	9324	4385	9325	5106	14	9.87E-04	GFL11 - 3S □□□ 071C13 MDSKS□□ 071-13 185
2571	11	2.0	327.556	3897	9324	5375	9325	5523	11	9.37E-04	GFL11 - 3S □□□ 071C13 MDSKS□□ 071-13 185
2818	10	1.7	358.077	4260	9324	5876	9325	5283	10	8.68E-04	GFL11 - 3S □□□ 071C13 MDSKS□□ 071-13 185
3176	9.2	1.7	403.467	4801	9324	6620	9325	5952	9.2	8.67E-04	GFL11 - 3S □□□ 071C13 MDSKS□□ 071-13 185
3390	8.6	1.6	430.222	5119	9324	7060	9325	5942	8.6	8.85E-04	GFL11 - 3S □□□ 071C13 MDSKS□□ 071-13 185
4127	7.1	1.3	522.133	6212	9324	8568	9325	5942	7.1	8.62E-04	GFL11 - 3S □□□ 071C13 MDSKS□□ 071-13 185
4456	6.6	1.1	562.391	6691	9324	7979	9325	5319	6.6	8.60E-04	GFL11 - 3S □□□ 071C13 MDSKS□□ 071-13 185
5022	5.8	1.1	633.680	7540	9324	8766	9325	5844	5.8	8.60E-04	GFL11 - 3S □□□ 071C13 MDSKS□□ 071-13 185
750	55	3.2	65.306	1497	9325	1121	9325	2626	55	1.70E-03	GFL11 - 3S □□□ 071C33 MDSKS□□ 071-33 180

Observe the notes for thermal dimensioning.

Selection tables - Shaft-mounted helical gearboxes

Naturally ventilated synchronous geared servo motors



M ₂ [Nm]	n ₂ trans [rpm]	c	i	M ₂ max short-time on geared motor at				M ₂ Gr gearbox c=1 n ₁ ≤ 1400 rpm [Nm]	n ₂ therm [rpm]	J _{GM} referred to motor shaft [kgm ²]	Servo shaft-mounted helical geared motor Dimensions on Page 4-82
				8 kHz		16 kHz					
				M ₂ max [Nm]	Type EVS	M ₂ max [Nm]	Type EVS				
1079	38	2.7	93.540	2145	9325	1606	9325	3206	38	1.50E-03	GFL11 - 3S □□□ 071C33 MDSKS□□ 071-33 180
1216	34	2.7	105.397	2416	9325	1809	9325	3613	34	1.50E-03	GFL11 - 3S □□□ 071C33 MDSKS□□ 071-33 180
1733	24	2.1	149.144	3419	9325	2560	9325	3894	24	1.23E-03	GFL11 - 3S □□□ 071C33 MDSKS□□ 071-33 180
1953	21	2.1	168.049	3853	9325	2884	9325	4387	21	1.23E-03	GFL11 - 3S □□□ 071C33 MDSKS□□ 071-33 180
2129	20	1.9	182.792	4191	9325	3137	9325	4233	20	1.17E-03	GFL11 - 3S □□□ 071C33 MDSKS□□ 071-33 180
2399	17	1.9	205.963	4722	9325	3535	9325	4769	17	1.16E-03	GFL11 - 3S □□□ 071C33 MDSKS□□ 071-33 180
2624	16	1.6	224.636	5150	9325	3856	9325	4523	16	1.15E-03	GFL11 - 3S □□□ 071C33 MDSKS□□ 071-33 180
2956	14	1.6	253.111	5803	9325	4344	9325	5097	14	1.15E-03	GFL11 - 3S □□□ 071C33 MDSKS□□ 071-33 180
3124	13	1.5	267.259	6127	9325	4587	9325	5106	13	1.19E-03	GFL11 - 3S □□□ 071C33 MDSKS□□ 071-33 180
3836	11	1.4	327.556	7510	9325	5622	9325	5523	11	1.14E-03	GFL11 - 3S □□□ 071C33 MDSKS□□ 071-33 180
4201	10	1.2	358.077	7924	9325	6146	9325	5283	10	1.07E-03	GFL11 - 3S □□□ 071C33 MDSKS□□ 071-33 180
4734	8.9	1.2	403.467	8928	9325	6925	9325	5952	8.9	1.07E-03	GFL11 - 3S □□□ 071C33 MDSKS□□ 071-33 180
5052	8.4	1.1	430.222	8913	9325	7384	9325	5942	8.4	1.09E-03	GFL11 - 3S □□□ 071C33 MDSKS□□ 071-33 180

Observe the notes for thermal dimensioning.

Selection tables - Shaft-mounted helical gearboxes

Forced ventilated synchronous geared servo motors

M ₂ [Nm]	n _{2 trans} [rpm]	c	i	M _{2 max} short-time on geared motor at				M _{2 Gr} gearbox c=1 n ₁ ≤ 1400 rpm [Nm]	n _{2 therm} [rpm]	J _{GGM} referred to motor shaft [kgm ²]	Servo shaft-mounted helical geared motor Dimensions on Page 4-82
				8 kHz		16 kHz					
				M _{2 max} [Nm]	Type EVS	M _{2 max} [Nm]	Type EVS				
26	902	3.1	3.659	49	9324	38	9324	109	902	7.51E-04	GFLO4 - 2S □□□ 071C03 MDFKS□□ 071-03 165
36	658	2.3	5.018	67	9324	52	9324	111	658	6.86E-04	GFLO4 - 2S □□□ 071C03 MDFKS□□ 071-03 165
42	566	2.8	5.833	77	9324	60	9324	153	554	6.93E-04	GFLO4 - 2S □□□ 071C03 MDFKS□□ 071-03 165
46	514	1.9	6.422	85	9324	66	9324	113	514	6.56E-04	GFLO4 - 2S □□□ 071C03 MDFKS□□ 071-03 165
51	470	1.7	7.025	93	9324	72	9324	113	470	6.47E-04	GFLO4 - 2S □□□ 071C03 MDFKS□□ 071-03 165
60	394	2.3	8.379	111	9324	86	9324	179	370	6.67E-04	GFLO4 - 2S □□□ 071C03 MDFKS□□ 071-03 165
67	354	1.9	9.333	124	9324	96	9324	165	313	6.61E-04	GFLO4 - 2S □□□ 071C03 MDFKS□□ 071-03 165
74	322	1.6	10.238	136	9324	105	9324	159	322	6.37E-04	GFLO4 - 2S □□□ 071C03 MDFKS□□ 071-03 165
83	287	1.7	11.491	153	9324	118	9324	181	271	6.41E-04	GFLO4 - 2S □□□ 071C03 MDFKS□□ 071-03 165
93	258	1.4	12.800	170	9324	132	9324	166	223	6.38E-04	GFLO4 - 2S □□□ 071C03 MDFKS□□ 071-03 165
107	224	1.3	14.706	195	9324	151	9324	182	222	6.28E-04	GFLO4 - 2S □□□ 071C03 MDFKS□□ 071-03 165
117	205	1.2	16.087	214	9324	165	9324	182	205	6.25E-04	GFLO4 - 2S □□□ 071C03 MDFKS□□ 071-03 165
39	984	2.1	3.659	78	9325	61	9325	109	833	9.51E-04	GFLO4 - 2S □□□ 071C13 MDFKS□□ 071-13 180
53	717	1.6	5.018	106	9325	84	9325	111	601	8.86E-04	GFLO4 - 2S □□□ 071C13 MDFKS□□ 071-13 180
62	617	1.8	5.833	124	9325	97	9325	153	497	8.93E-04	GFLO4 - 2S □□□ 071C13 MDFKS□□ 071-13 180
68	561	1.2	6.422	136	9325	107	9325	113	493	8.56E-04	GFLO4 - 2S □□□ 071C13 MDFKS□□ 071-13 180
75	512	1.1	7.025	149	9325	117	9325	113	457	8.47E-04	GFLO4 - 2S □□□ 071C13 MDFKS□□ 071-13 180
89	430	1.5	8.379	177	9325	140	9325	179	309	8.67E-04	GFLO4 - 2S □□□ 071C13 MDFKS□□ 071-13 180
99	386	1.2	9.333	198	9325	156	9325	165	253	8.61E-04	GFLO4 - 2S □□□ 071C13 MDFKS□□ 071-13 180
109	352	1.1	10.238	217	9325	171	9325	159	294	8.37E-04	GFLO4 - 2S □□□ 071C13 MDFKS□□ 071-13 180
123	313	1.1	11.491	243	9325	191	9325	181	228	8.41E-04	GFLO4 - 2S □□□ 071C13 MDFKS□□ 071-13 180
57	957	1.4	3.659	85	9325	98	9326	109	693	1.15E-03	GFLO4 - 2S □□□ 071C33 MDFKS□□ 071-33 175
79	697	1.1	5.018	117	9325	134	9326	111	515	1.09E-03	GFLO4 - 2S □□□ 071C33 MDFKS□□ 071-33 175
91	600	1.3	5.833	136	9325	156	9326	153	409	1.09E-03	GFLO4 - 2S □□□ 071C33 MDFKS□□ 071-33 175
132	418	1.0	8.379	195	9325	224	9326	179	259	1.07E-03	GFLO4 - 2S □□□ 071C33 MDFKS□□ 071-33 175
23	990	4.4	3.333	44	9324	34	9324	138	882	7.68E-04	GFLO5 - 2S □□□ 071C03 MDFKS□□ 071-03 165
32	722	3.9	4.571	61	9324	47	9324	170	722	8.13E-04	GFLO5 - 2S □□□ 071C03 MDFKS□□ 071-03 165
36	643	4.4	5.133	68	9324	53	9324	212	573	8.37E-04	GFLO5 - 2S □□□ 071C03 MDFKS□□ 071-03 165
40	582	4.3	5.667	75	9324	58	9324	233	518	8.33E-04	GFLO5 - 2S □□□ 071C03 MDFKS□□ 071-03 165
46	516	2.9	6.400	85	9324	66	9324	173	516	6.82E-04	GFLO5 - 2S □□□ 071C03 MDFKS□□ 071-03 165
50	469	3.7	7.040	93	9324	72	9324	248	469	7.47E-04	GFLO5 - 2S □□□ 071C03 MDFKS□□ 071-03 165
55	425	3.5	7.771	103	9324	80	9324	258	425	7.45E-04	GFLO5 - 2S □□□ 071C03 MDFKS□□ 071-03 165
64	366	3.1	9.010	120	9324	93	9324	266	366	6.95E-04	GFLO5 - 2S □□□ 071C03 MDFKS□□ 071-03 165
71	332	2.9	9.946	132	9324	102	9324	275	332	6.89E-04	GFLO5 - 2S □□□ 071C03 MDFKS□□ 071-03 165

Observe the notes for thermal dimensioning.

Selection tables - Shaft-mounted helical gearboxes

Forced ventilated synchronous geared servo motors



M ₂ [Nm]	n _{2 trans} [rpm]	c	i	M _{2 max} short-time on geared motor at				M _{2 Gr} gearbox c=1 n ₁ ≤ 1400 rpm [Nm]	n _{2 therm} [rpm]	J _{GM} referred to motor shaft [kgm ²]	Servo shaft-mounted helical geared motor Dimensions on Page 4-82
				8 kHz		16 kHz					
				M _{2 max} [Nm]	Type EVS	M _{2 max} [Nm]	Type EVS				
81	290	2.6	11.360	151	9324	117	9324	278	274	7.08E-04	GFL05 - 2S □□□ 071C03 MDFKS□□ 071-03 165
92	258	2.4	12.800	170	9324	132	9324	285	238	7.01E-04	GFL05 - 2S □□□ 071C03 MDFKS□□ 071-03 165
104	227	2.2	14.538	193	9324	149	9324	301	227	6.75E-04	GFL05 - 2S □□□ 071C03 MDFKS□□ 071-03 165
114	207	2.1	15.904	211	9324	163	9324	310	207	6.60E-04	GFL05 - 2S □□□ 071C03 MDFKS□□ 071-03 165
129	184	1.8	17.920	238	9324	184	9324	312	182	6.61E-04	GFL05 - 2S □□□ 071C03 MDFKS□□ 071-03 165
146	163	1.7	20.286	269	9324	208	9324	333	163	6.43E-04	GFL05 - 2S □□□ 071C03 MDFKS□□ 071-03 165
166	144	1.4	22.857	303	9324	235	9324	313	144	6.43E-04	GFL05 - 2S □□□ 071C03 MDFKS□□ 071-03 165
180	133	1.7	24.850	330	9324	255	9324	344	133	6.35E-04	GFL05 - 2S □□□ 071C03 MDFKS□□ 071-03 165
203	118	1.3	28.000	372	9324	288	9324	314	118	6.33E-04	GFL05 - 2S □□□ 071C03 MDFKS□□ 071-03 165
235	102	1.3	32.344	429	9324	332	9324	345	102	6.20E-04	GFL05 - 2S □□□ 071C03 MDFKS□□ 071-03 165
265	91	1.0	36.444	474	9324	375	9324	316	91	6.20E-04	GFL05 - 2S □□□ 071C03 MDFKS□□ 071-03 165
293	82	1.0	40.233	518	9324	413	9324	345	82	6.15E-04	GFL05 - 2S □□□ 071C03 MDFKS□□ 071-03 165
35	1080	2.9	3.333	71	9325	56	9325	138	812	9.68E-04	GFL05 - 2S □□□ 071C13 MDFKS□□ 071-13 180
48	788	2.6	4.571	97	9325	76	9325	170	681	1.01E-03	GFL05 - 2S □□□ 071C13 MDFKS□□ 071-13 180
54	701	2.9	5.133	109	9325	86	9325	212	527	1.04E-03	GFL05 - 2S □□□ 071C13 MDFKS□□ 071-13 180
59	635	2.9	5.667	120	9325	94	9325	233	477	1.03E-03	GFL05 - 2S □□□ 071C13 MDFKS□□ 071-13 180
68	563	1.9	6.400	136	9325	107	9325	173	518	8.82E-04	GFL05 - 2S □□□ 071C13 MDFKS□□ 071-13 180
74	511	2.5	7.040	149	9325	117	9325	248	438	9.47E-04	GFL05 - 2S □□□ 071C13 MDFKS□□ 071-13 180
82	463	2.3	7.771	165	9325	130	9325	258	392	9.45E-04	GFL05 - 2S □□□ 071C13 MDFKS□□ 071-13 180
95	400	2.1	9.010	191	9325	150	9325	266	364	8.95E-04	GFL05 - 2S □□□ 071C13 MDFKS□□ 071-13 180
105	362	1.9	9.946	211	9325	166	9325	275	324	8.89E-04	GFL05 - 2S □□□ 071C13 MDFKS□□ 071-13 180
120	317	1.7	11.360	241	9325	189	9325	278	239	9.08E-04	GFL05 - 2S □□□ 071C13 MDFKS□□ 071-13 180
136	281	1.6	12.800	271	9325	213	9325	285	201	9.01E-04	GFL05 - 2S □□□ 071C13 MDFKS□□ 071-13 180
154	248	1.5	14.538	308	9325	242	9325	301	192	8.75E-04	GFL05 - 2S □□□ 071C13 MDFKS□□ 071-13 180
169	226	1.4	15.904	337	9325	265	9325	310	179	8.60E-04	GFL05 - 2S □□□ 071C13 MDFKS□□ 071-13 180
191	201	1.2	17.920	379	9325	299	9325	312	152	8.61E-04	GFL05 - 2S □□□ 071C13 MDFKS□□ 071-13 180
216	177	1.1	20.286	430	9325	338	9325	333	153	8.43E-04	GFL05 - 2S □□□ 071C13 MDFKS□□ 071-13 180
265	145	1.1	24.850	516	9325	414	9325	344	140	8.35E-04	GFL05 - 2S □□□ 071C13 MDFKS□□ 071-13 180
52	1050	2.0	3.333	78	9325	89	9326	138	749	1.17E-03	GFL05 - 2S □□□ 071C33 MDFKS□□ 071-33 175
71	766	1.8	4.571	106	9325	122	9326	170	607	1.21E-03	GFL05 - 2S □□□ 071C33 MDFKS□□ 071-33 175
80	682	2.0	5.133	120	9325	137	9326	212	487	1.24E-03	GFL05 - 2S □□□ 071C33 MDFKS□□ 071-33 175
88	618	2.0	5.667	132	9325	152	9326	233	439	1.23E-03	GFL05 - 2S □□□ 071C33 MDFKS□□ 071-33 175
100	547	1.3	6.400	149	9325	171	9326	173	435	1.08E-03	GFL05 - 2S □□□ 071C33 MDFKS□□ 071-33 175
110	497	1.7	7.040	164	9325	188	9326	248	382	1.15E-03	GFL05 - 2S □□□ 071C33 MDFKS□□ 071-33 175

Observe the notes for thermal dimensioning.

Selection tables - Shaft-mounted helical gearboxes

Forced ventilated synchronous geared servo motors

M ₂ [Nm]	n ₂ trans [rpm]	c	i	M ₂ max short-time on geared motor at				M ₂ Gr gearbox c=1 n ₁ ≤ 1400 rpm [Nm]	n ₂ therm [rpm]	J _G M referred to motor shaft [kgm ²]	Servo shaft-mounted helical geared motor Dimensions on Page 4-82
				8 kHz		16 kHz					
				M ₂ max [Nm]	Type EVS	M ₂ max [Nm]	Type EVS				
121	450	1.6	7.771	181	9325	208	9326	258	335	1.15E-03	GFL05 - 2S □□□ 071C33 MDFKS□□ 071-33 175
141	388	1.4	9.010	210	9325	241	9326	266	306	1.10E-03	GFL05 - 2S □□□ 071C33 MDFKS□□ 071-33 175
156	352	1.3	9.946	232	9325	266	9326	275	269	1.09E-03	GFL05 - 2S □□□ 071C33 MDFKS□□ 071-33 175
178	308	1.2	11.360	264	9325	304	9326	278	197	1.11E-03	GFL05 - 2S □□□ 071C33 MDFKS□□ 071-33 175
201	273	1.1	12.800	298	9325	342	9326	285	167	1.10E-03	GFL05 - 2S □□□ 071C33 MDFKS□□ 071-33 175
45	512	4.3	6.450	86	9324	66	9324	263	512	9.65E-04	GFL06 - 2S □□□ 071C03 MDFKS□□ 071-03 165
71	327	4.3	10.092	134	9324	104	9324	412	327	8.52E-04	GFL06 - 2S □□□ 071C03 MDFKS□□ 071-03 165
104	224	4.3	14.743	196	9324	152	9324	602	224	7.95E-04	GFL06 - 2S □□□ 071C03 MDFKS□□ 071-03 165
113	205	4.2	16.128	214	9324	166	9324	643	205	7.68E-04	GFL06 - 2S □□□ 071C03 MDFKS□□ 071-03 165
129	182	3.5	18.169	241	9324	187	9324	600	182	7.57E-04	GFL06 - 2S □□□ 071C03 MDFKS□□ 071-03 165
146	160	3.3	20.571	273	9324	211	9324	645	160	7.19E-04	GFL06 - 2S □□□ 071C03 MDFKS□□ 071-03 165
166	142	2.8	23.175	308	9324	238	9324	604	142	7.13E-04	GFL06 - 2S □□□ 071C03 MDFKS□□ 071-03 165
179	131	3.1	25.200	335	9324	259	9324	651	131	6.90E-04	GFL06 - 2S □□□ 071C03 MDFKS□□ 071-03 165
203	116	2.6	28.389	377	9324	292	9324	607	116	6.86E-04	GFL06 - 2S □□□ 071C03 MDFKS□□ 071-03 165
235	101	2.3	32.800	435	9324	337	9324	641	101	6.58E-04	GFL06 - 2S □□□ 071C03 MDFKS□□ 071-03 165
266	89	2.0	36.951	490	9324	380	9324	611	89	6.56E-04	GFL06 - 2S □□□ 071C03 MDFKS□□ 071-03 165
294	81	1.9	40.800	542	9324	419	9324	657	81	6.43E-04	GFL06 - 2S □□□ 071C03 MDFKS□□ 071-03 165
332	72	1.6	45.963	610	9324	472	9324	613	72	6.41E-04	GFL06 - 2S □□□ 071C03 MDFKS□□ 071-03 165
382	63	1.5	52.800	701	9324	543	9324	660	63	6.26E-04	GFL06 - 2S □□□ 071C03 MDFKS□□ 071-03 165
432	55	1.2	59.481	790	9324	611	9324	615	55	6.25E-04	GFL06 - 2S □□□ 071C03 MDFKS□□ 071-03 165
466	52	1.1	64.080	851	9324	658	9324	576	52	6.19E-04	GFL06 - 2S □□□ 071C03 MDFKS□□ 071-03 165
525	46	1.1	72.189	924	9324	742	9324	616	46	6.19E-04	GFL06 - 2S □□□ 071C03 MDFKS□□ 071-03 165
68	558	2.9	6.450	137	9325	107	9325	263	476	1.17E-03	GFL06 - 2S □□□ 071C13 MDFKS□□ 071-13 180
106	357	2.9	10.092	214	9325	168	9325	412	304	1.05E-03	GFL06 - 2S □□□ 071C13 MDFKS□□ 071-13 180
154	244	2.9	14.743	312	9325	246	9325	602	208	9.95E-04	GFL06 - 2S □□□ 071C13 MDFKS□□ 071-13 180
169	223	2.8	16.128	341	9325	269	9325	643	196	9.68E-04	GFL06 - 2S □□□ 071C13 MDFKS□□ 071-13 180
191	198	2.3	18.169	385	9325	303	9325	600	167	9.57E-04	GFL06 - 2S □□□ 071C13 MDFKS□□ 071-13 180
217	175	2.2	20.571	436	9325	343	9325	645	163	9.19E-04	GFL06 - 2S □□□ 071C13 MDFKS□□ 071-13 180
245	155	1.8	23.175	491	9325	386	9325	604	136	9.13E-04	GFL06 - 2S □□□ 071C13 MDFKS□□ 071-13 180
266	143	2.1	25.200	534	9325	420	9325	651	143	8.90E-04	GFL06 - 2S □□□ 071C13 MDFKS□□ 071-13 180
301	127	1.7	28.389	601	9325	473	9325	607	126	8.86E-04	GFL06 - 2S □□□ 071C13 MDFKS□□ 071-13 180
348	110	1.6	32.800	694	9325	546	9325	641	110	8.58E-04	GFL06 - 2S □□□ 071C13 MDFKS□□ 071-13 180
393	97	1.3	36.951	782	9325	616	9325	611	97	8.56E-04	GFL06 - 2S □□□ 071C13 MDFKS□□ 071-13 180
434	88	1.3	40.800	864	9325	680	9325	657	88	8.43E-04	GFL06 - 2S □□□ 071C13 MDFKS□□ 071-13 180

Observe the notes for thermal dimensioning.

Selection tables - Shaft-mounted helical gearboxes

Forced ventilated synchronous geared servo motors



M ₂ [Nm]	n _{2 trans} [rpm]	c	i	M _{2 max} short-time on geared motor at				M _{2 Gr} gearbox c=1 n ₁ ≤ 1400 rpm [Nm]	n _{2 therm} [rpm]	J _{GM} referred to motor shaft [kgm ²]	Servo shaft-mounted helical geared motor Dimensions on Page 4-82
				8 kHz		16 kHz					
				M _{2 max} [Nm]	Type EVS	M _{2 max} [Nm]	Type EVS				
490	78	1.1	45.963	919	9325	766	9325	613	78	8.41E-04	GFL06 - 2S □□□ 071C13 MDFKS□□ 071-13 180
100	543	2.0	6.450	150	9325	172	9326	263	437	1.37E-03	GFL06 - 2S □□□ 071C33 MDFKS□□ 071-33 175
157	347	2.0	10.092	235	9325	270	9326	412	280	1.25E-03	GFL06 - 2S □□□ 071C33 MDFKS□□ 071-33 175
229	237	2.0	14.743	343	9325	394	9326	602	191	1.20E-03	GFL06 - 2S □□□ 071C33 MDFKS□□ 071-33 175
251	217	1.9	16.128	375	9325	431	9326	643	179	1.17E-03	GFL06 - 2S □□□ 071C33 MDFKS□□ 071-33 175
284	193	1.6	18.169	423	9325	486	9326	600	143	1.16E-03	GFL06 - 2S □□□ 071C33 MDFKS□□ 071-33 175
322	170	1.5	20.571	479	9325	550	9326	645	140	1.12E-03	GFL06 - 2S □□□ 071C33 MDFKS□□ 071-33 175
363	151	1.3	23.175	539	9325	620	9326	604	114	1.11E-03	GFL06 - 2S □□□ 071C33 MDFKS□□ 071-33 175
394	139	1.4	25.200	587	9325	674	9326	651	129	1.09E-03	GFL06 - 2S □□□ 071C33 MDFKS□□ 071-33 175
445	123	1.2	28.389	661	9325	759	9326	607	104	1.09E-03	GFL06 - 2S □□□ 071C33 MDFKS□□ 071-33 175
515	107	1.1	32.800	763	9325	877	9326	641	104	1.06E-03	GFL06 - 2S □□□ 071C33 MDFKS□□ 071-33 175
475	50	1.0	66.213	745	9324	670	9324	497	50	6.29E-04	GFL06 - 3S □□□ 071C03 MDFKS□□ 071-03 165
143	163	4.3	20.286	269	9324	208	9324	828	163	9.47E-04	GFL07 - 2S □□□ 071C03 MDFKS□□ 071-03 165
161	144	4.3	22.857	303	9324	235	9324	933	144	9.27E-04	GFL07 - 2S □□□ 071C03 MDFKS□□ 071-03 165
228	102	3.9	32.344	429	9324	332	9324	1048	102	7.69E-04	GFL07 - 2S □□□ 071C03 MDFKS□□ 071-03 165
257	91	3.9	36.444	484	9324	375	9324	1181	91	7.61E-04	GFL07 - 2S □□□ 071C03 MDFKS□□ 071-03 165
282	83	3.3	39.642	526	9324	407	9324	1093	83	7.25E-04	GFL07 - 2S □□□ 071C03 MDFKS□□ 071-03 165
317	74	3.3	44.667	593	9324	459	9324	1231	74	7.20E-04	GFL07 - 2S □□□ 071C03 MDFKS□□ 071-03 165
373	63	2.6	52.067	691	9324	535	9324	1127	63	6.78E-04	GFL07 - 2S □□□ 071C03 MDFKS□□ 071-03 165
420	56	2.6	58.667	779	9324	603	9324	1270	56	6.75E-04	GFL07 - 2S □□□ 071C03 MDFKS□□ 071-03 165
454	52	2.2	63.190	839	9324	649	9324	1145	52	6.57E-04	GFL07 - 2S □□□ 071C03 MDFKS□□ 071-03 165
511	46	2.4	71.200	945	9324	732	9324	1280	46	6.56E-04	GFL07 - 2S □□□ 071C03 MDFKS□□ 071-03 165
579	41	1.4	79.875	1060	9324	821	9324	854	41	6.37E-04	GFL07 - 2S □□□ 071C03 MDFKS□□ 071-03 165
652	37	1.4	90.000	1195	9324	925	9324	930	37	6.36E-04	GFL07 - 2S □□□ 071C03 MDFKS□□ 071-03 165
212	177	2.9	20.286	430	9325	338	9325	828	152	1.15E-03	GFL07 - 2S □□□ 071C13 MDFKS□□ 071-13 180
239	158	2.9	22.857	484	9325	381	9325	933	135	1.13E-03	GFL07 - 2S □□□ 071C13 MDFKS□□ 071-13 180
340	111	2.6	32.344	685	9325	539	9325	1048	111	9.69E-04	GFL07 - 2S □□□ 071C13 MDFKS□□ 071-13 180
383	99	2.6	36.444	772	9325	607	9325	1181	99	9.61E-04	GFL07 - 2S □□□ 071C13 MDFKS□□ 071-13 180
418	91	2.2	39.642	839	9325	660	9325	1093	91	9.25E-04	GFL07 - 2S □□□ 071C13 MDFKS□□ 071-13 180
471	81	2.2	44.667	946	9325	744	9325	1231	81	9.20E-04	GFL07 - 2S □□□ 071C13 MDFKS□□ 071-13 180
552	69	1.7	52.067	1102	9325	867	9325	1127	69	8.78E-04	GFL07 - 2S □□□ 071C13 MDFKS□□ 071-13 180
621	61	1.7	58.667	1242	9325	977	9325	1270	61	8.75E-04	GFL07 - 2S □□□ 071C13 MDFKS□□ 071-13 180
671	57	1.4	63.190	1338	9325	1053	9325	1145	57	8.57E-04	GFL07 - 2S □□□ 071C13 MDFKS□□ 071-13 180
755	51	1.6	71.200	1507	9325	1186	9325	1280	51	8.56E-04	GFL07 - 2S □□□ 071C13 MDFKS□□ 071-13 180

Observe the notes for thermal dimensioning.

Selection tables - Shaft-mounted helical gearboxes

Forced ventilated synchronous geared servo motors

M ₂ [Nm]	n _{2 trans} [rpm]	c	i	M _{2 max} short-time on geared motor at				M _{2 Gr} gearbox c=1 n ₁ ≤1400 rpm [Nm]	n _{2 therm} [rpm]	J _{GM} referred to motor shaft [kgm ²]	Servo shaft-mounted helical geared motor Dimensions on Page 4-82
				8 kHz		16 kHz					
				M _{2 max} [Nm]	Type EVS	M _{2 max} [Nm]	Type EVS				
316	173	2.0	20.286	472	9325	542	9326	828	140	1.35E-03	GFL07 - 2S □□□ 071C33 MDFKS□□ 071-33 175
356	153	2.0	22.857	532	9325	611	9326	933	124	1.33E-03	GFL07 - 2S □□□ 071C33 MDFKS□□ 071-33 175
504	108	1.8	32.344	753	9325	865	9326	1048	108	1.17E-03	GFL07 - 2S □□□ 071C33 MDFKS□□ 071-33 175
568	96	1.8	36.444	848	9325	974	9326	1181	96	1.16E-03	GFL07 - 2S □□□ 071C33 MDFKS□□ 071-33 175
620	88	1.5	39.642	923	9325	1060	9326	1093	88	1.13E-03	GFL07 - 2S □□□ 071C33 MDFKS□□ 071-33 175
698	78	1.5	44.667	1040	9325	1194	9326	1231	78	1.12E-03	GFL07 - 2S □□□ 071C33 MDFKS□□ 071-33 175
817	67	1.2	52.067	1212	9325	1392	9326	1127	67	1.08E-03	GFL07 - 2S □□□ 071C33 MDFKS□□ 071-33 175
920	60	1.2	58.667	1366	9325	1568	9326	1270	60	1.08E-03	GFL07 - 2S □□□ 071C33 MDFKS□□ 071-33 175
1118	49	1.1	71.200	1657	9325	1903	9326	1280	49	1.06E-03	GFL07 - 2S □□□ 071C33 MDFKS□□ 071-33 175
464	51	1.8	65.306	854	9324	661	9324	883	51	6.79E-04	GFL07 - 3S □□□ 071C03 MDFKS□□ 071-03 165
516	46	1.6	72.452	947	9324	733	9324	869	46	6.89E-04	GFL07 - 3S □□□ 071C03 MDFKS□□ 071-03 165
581	40	1.6	81.636	1067	9324	826	9324	979	40	6.88E-04	GFL07 - 3S □□□ 071C03 MDFKS□□ 071-03 165
660	36	1.4	92.413	1208	9324	935	9324	961	36	6.61E-04	GFL07 - 3S □□□ 071C03 MDFKS□□ 071-03 165
743	32	1.4	104.127	1361	9324	1054	9324	1082	32	6.60E-04	GFL07 - 3S □□□ 071C03 MDFKS□□ 071-03 165
809	29	1.2	113.206	1480	9324	1146	9324	1040	29	6.45E-04	GFL07 - 3S □□□ 071C03 MDFKS□□ 071-03 165
912	26	1.2	127.556	1668	9324	1291	9324	1171	26	6.44E-04	GFL07 - 3S □□□ 071C03 MDFKS□□ 071-03 165
1056	22	1.0	147.347	1710	9324	1491	9324	1140	22	6.27E-04	GFL07 - 3S □□□ 071C03 MDFKS□□ 071-03 165
1190	20	1.0	166.025	1872	9324	1680	9324	1248	20	6.27E-04	GFL07 - 3S □□□ 071C03 MDFKS□□ 071-03 165
685	55	1.2	65.306	1324	9325	1072	9325	883	55	8.79E-04	GFL07 - 3S □□□ 071C13 MDFKS□□ 071-13 180
761	50	1.1	72.452	1303	9325	1189	9325	869	46	8.89E-04	GFL07 - 3S □□□ 071C13 MDFKS□□ 071-13 180
858	44	1.1	81.636	1468	9325	1340	9325	979	41	8.88E-04	GFL07 - 3S □□□ 071C13 MDFKS□□ 071-13 180
445	52	2.9	63.326	828	9324	641	9324	1510	52	8.34E-04	GFL09 - 3S □□□ 071C03 MDFKS□□ 071-03 165
515	45	2.8	73.173	957	9324	741	9324	1517	45	8.47E-04	GFL09 - 3S □□□ 071C03 MDFKS□□ 071-03 165
580	40	2.8	82.465	1078	9324	835	9324	1710	40	8.43E-04	GFL09 - 3S □□□ 071C03 MDFKS□□ 071-03 165
659	35	2.5	93.333	1220	9324	945	9324	1692	35	7.68E-04	GFL09 - 3S □□□ 071C03 MDFKS□□ 071-03 165
742	31	2.5	105.185	1375	9324	1065	9324	1907	31	7.65E-04	GFL09 - 3S □□□ 071C03 MDFKS□□ 071-03 165
809	29	2.2	114.333	1495	9324	1157	9324	1847	29	7.23E-04	GFL09 - 3S □□□ 071C03 MDFKS□□ 071-03 165
912	26	2.2	128.852	1685	9324	1304	9324	2082	26	7.21E-04	GFL09 - 3S □□□ 071C03 MDFKS□□ 071-03 165
1057	22	1.9	148.815	1946	9324	1506	9324	2053	22	6.77E-04	GFL09 - 3S □□□ 071C03 MDFKS□□ 071-03 165
1191	20	1.9	167.712	2193	9324	1697	9324	2314	20	6.76E-04	GFL09 - 3S □□□ 071C03 MDFKS□□ 071-03 165
1318	18	1.6	185.111	2420	9324	1873	9324	2232	18	6.55E-04	GFL09 - 3S □□□ 071C03 MDFKS□□ 071-03 165
1485	16	1.6	208.617	2727	9324	2111	9324	2515	16	6.54E-04	GFL09 - 3S □□□ 071C03 MDFKS□□ 071-03 165
1604	15	1.4	224.778	2939	9324	2275	9324	2407	15	6.51E-04	GFL09 - 3S □□□ 071C03 MDFKS□□ 071-03 165
1807	13	1.4	253.321	3312	9324	2564	9324	2712	13	6.50E-04	GFL09 - 3S □□□ 071C03 MDFKS□□ 071-03 165

Observe the notes for thermal dimensioning.

Selection tables - Shaft-mounted helical gearboxes

Forced ventilated synchronous geared servo motors



M ₂ [Nm]	n _{2 trans} [rpm]	c	i	M _{2 max} short-time on geared motor at				M _{2 Gr} gearbox c=1 n ₁ ≤ 1400 rpm [Nm]	n _{2 therm} [rpm]	J _{GM} referred to motor shaft [kgm ²]	Servo shaft-mounted helical geared motor Dimensions on Page 4-82
				8 kHz		16 kHz					
				M _{2 max} [Nm]	Type EVS	M _{2 max} [Nm]	Type EVS				
2080	11	1.2	290.889	3803	9324	2944	9324	2640	11	6.31E-04	GFL09 - 3S □□□ 071C03 MDFKS□□ 071-03 165
2344	10	1.2	327.827	4286	9324	3318	9324	2976	10	6.31E-04	GFL09 - 3S □□□ 071C03 MDFKS□□ 071-03 165
2528	9.4	1.1	353.033	4220	9324	3573	9324	2813	9.4	6.23E-04	GFL09 - 3S □□□ 071C03 MDFKS□□ 071-03 165
2849	8.3	1.1	397.863	4756	9324	4027	9324	3170	8.3	6.22E-04	GFL09 - 3S □□□ 071C03 MDFKS□□ 071-03 165
659	57	1.9	63.326	1321	9325	1039	9325	1510	57	1.03E-03	GFL09 - 3S □□□ 071C13 MDFKS□□ 071-13 180
762	49	1.9	73.173	1526	9325	1201	9325	1517	49	1.05E-03	GFL09 - 3S □□□ 071C13 MDFKS□□ 071-13 180
859	44	1.9	82.465	1720	9325	1353	9325	1710	44	1.04E-03	GFL09 - 3S □□□ 071C13 MDFKS□□ 071-13 180
975	39	1.6	93.333	1946	9325	1532	9325	1692	39	9.68E-04	GFL09 - 3S □□□ 071C13 MDFKS□□ 071-13 180
1099	34	1.6	105.185	2193	9325	1726	9325	1907	34	9.65E-04	GFL09 - 3S □□□ 071C13 MDFKS□□ 071-13 180
1196	31	1.4	114.333	2384	9325	1876	9325	1847	31	9.23E-04	GFL09 - 3S □□□ 071C13 MDFKS□□ 071-13 180
1348	28	1.4	128.852	2687	9325	2114	9325	2082	28	9.21E-04	GFL09 - 3S □□□ 071C13 MDFKS□□ 071-13 180
1561	24	1.2	148.815	3080	9325	2442	9325	2053	24	8.77E-04	GFL09 - 3S □□□ 071C13 MDFKS□□ 071-13 180
1759	21	1.2	167.712	3471	9325	2752	9325	2314	21	8.76E-04	GFL09 - 3S □□□ 071C13 MDFKS□□ 071-13 180
1944	19	1.1	185.111	3347	9325	3038	9325	2232	19	8.55E-04	GFL09 - 3S □□□ 071C13 MDFKS□□ 071-13 180
2191	17	1.1	208.617	3772	9325	3423	9325	2515	17	8.54E-04	GFL09 - 3S □□□ 071C13 MDFKS□□ 071-13 180
977	55	1.3	63.326	1452	9325	1667	9326	1510	55	1.23E-03	GFL09 - 3S □□□ 071C33 MDFKS□□ 071-33 175
1130	48	1.3	73.173	1678	9325	1927	9326	1517	41	1.25E-03	GFL09 - 3S □□□ 071C33 MDFKS□□ 071-33 175
1273	42	1.3	82.465	1891	9325	2171	9326	1710	37	1.24E-03	GFL09 - 3S □□□ 071C33 MDFKS□□ 071-33 175
1443	38	1.1	93.333	2140	9325	2457	9326	1692	35	1.17E-03	GFL09 - 3S □□□ 071C33 MDFKS□□ 071-33 175
1627	33	1.1	105.185	2412	9325	2769	9326	1907	31	1.17E-03	GFL09 - 3S □□□ 071C33 MDFKS□□ 071-33 175
446	51	5.4	65.306	854	9324	661	9324	2626	51	1.30E-03	GFL11 - 3S □□□ 071C03 MDFKS□□ 071-03 165
645	35	4.6	93.540	1223	9324	947	9324	3206	35	1.10E-03	GFL11 - 3S □□□ 071C03 MDFKS□□ 071-03 165
727	31	4.6	105.397	1378	9324	1067	9324	3613	31	1.10E-03	GFL11 - 3S □□□ 071C03 MDFKS□□ 071-03 165
1041	22	3.5	149.144	1950	9324	1509	9324	3894	22	8.30E-04	GFL11 - 3S □□□ 071C03 MDFKS□□ 071-03 165
1173	20	3.5	168.049	2197	9324	1701	9324	4387	20	8.27E-04	GFL11 - 3S □□□ 071C03 MDFKS□□ 071-03 165
1281	18	3.1	182.792	2390	9324	1850	9324	4233	18	7.66E-04	GFL11 - 3S □□□ 071C03 MDFKS□□ 071-03 165
1443	16	3.1	205.963	2693	9324	2085	9324	4769	16	7.64E-04	GFL11 - 3S □□□ 071C03 MDFKS□□ 071-03 165
1581	15	2.7	224.636	2937	9324	2273	9324	4523	15	7.52E-04	GFL11 - 3S □□□ 071C03 MDFKS□□ 071-03 165
1782	13	2.7	253.111	3309	9324	2562	9324	5097	13	7.50E-04	GFL11 - 3S □□□ 071C03 MDFKS□□ 071-03 165
1884	12	2.6	267.259	3494	9324	2705	9324	5106	12	7.87E-04	GFL11 - 3S □□□ 071C03 MDFKS□□ 071-03 165
2316	10	2.3	327.556	4282	9324	3315	9324	5523	10	7.37E-04	GFL11 - 3S □□□ 071C03 MDFKS□□ 071-03 165
2540	9.2	2.0	358.077	4681	9324	3624	9324	5283	9.2	6.68E-04	GFL11 - 3S □□□ 071C03 MDFKS□□ 071-03 165
2862	8.2	2.0	403.467	5275	9324	4083	9324	5952	8.2	6.67E-04	GFL11 - 3S □□□ 071C03 MDFKS□□ 071-03 165
3056	7.7	1.9	430.222	5625	9324	4354	9324	5942	7.7	6.85E-04	GFL11 - 3S □□□ 071C03 MDFKS□□ 071-03 165

Observe the notes for thermal dimensioning.

Selection tables - Shaft-mounted helical gearboxes

Forced ventilated synchronous geared servo motors

M ₂ [Nm]	n _{2 trans} [rpm]	c	i	M _{2 max} short-time on geared motor at				M _{2 Gr} gearbox c=1 n ₁ ≤1400 rpm [Nm]	n _{2 therm} [rpm]	J _{GM} referred to motor shaft [kgm ²]	Servo shaft-mounted helical geared motor Dimensions on Page 4-82
				8 kHz		16 kHz					
				M _{2 max} [Nm]	Type EVS	M _{2 max} [Nm]	Type EVS				
3721	6.3	1.5	522.133	6826	9324	5284	9324	5942	6.3	6.62E-04	GFL11 - 3S □□□ 071C03 MDFKS□□ 071-03 165
4019	5.9	1.3	562.391	7353	9324	5692	9324	5319	5.9	6.60E-04	GFL11 - 3S □□□ 071C03 MDFKS□□ 071-03 165
4530	5.2	1.2	633.680	8285	9324	6413	9324	5844	5.2	6.60E-04	GFL11 - 3S □□□ 071C03 MDFKS□□ 071-03 165
5095	4.6	1.0	710.888	7979	9324	7195	9324	5319	4.6	6.39E-04	GFL11 - 3S □□□ 071C03 MDFKS□□ 071-03 165
668	55	3.6	65.306	1362	9325	1072	9325	2626	55	1.50E-03	GFL11 - 3S □□□ 071C13 MDFKS□□ 071-13 180
962	38	3.1	93.540	1951	9325	1535	9325	3206	38	1.30E-03	GFL11 - 3S □□□ 071C13 MDFKS□□ 071-13 180
1084	34	3.1	105.397	2198	9325	1729	9325	3613	34	1.30E-03	GFL11 - 3S □□□ 071C13 MDFKS□□ 071-13 180
1546	24	2.3	149.144	3110	9325	2447	9325	3894	24	1.03E-03	GFL11 - 3S □□□ 071C13 MDFKS□□ 071-13 180
1742	21	2.3	168.049	3504	9325	2758	9325	4387	21	1.03E-03	GFL11 - 3S □□□ 071C13 MDFKS□□ 071-13 180
1900	20	2.1	182.792	3812	9325	2999	9325	4233	20	9.66E-04	GFL11 - 3S □□□ 071C13 MDFKS□□ 071-13 180
2141	17	2.1	205.963	4295	9325	3380	9325	4769	17	9.64E-04	GFL11 - 3S □□□ 071C13 MDFKS□□ 071-13 180
2342	16	1.8	224.636	4684	9325	3686	9325	4523	16	9.52E-04	GFL11 - 3S □□□ 071C13 MDFKS□□ 071-13 180
2638	14	1.8	253.111	5278	9325	4153	9325	5097	14	9.50E-04	GFL11 - 3S □□□ 071C13 MDFKS□□ 071-13 180
2789	13	1.7	267.259	5573	9325	4385	9325	5106	13	9.87E-04	GFL11 - 3S □□□ 071C13 MDFKS□□ 071-13 180
3425	11	1.5	327.556	6830	9325	5375	9325	5523	11	9.37E-04	GFL11 - 3S □□□ 071C13 MDFKS□□ 071-13 180
3752	10	1.3	358.077	7467	9325	5876	9325	5283	10	8.68E-04	GFL11 - 3S □□□ 071C13 MDFKS□□ 071-13 180
4227	8.9	1.3	403.467	8413	9325	6620	9325	5952	8.9	8.67E-04	GFL11 - 3S □□□ 071C13 MDFKS□□ 071-13 180
4511	8.4	1.2	430.222	8913	9325	7060	9325	5942	8.4	8.85E-04	GFL11 - 3S □□□ 071C13 MDFKS□□ 071-13 180
5488	6.9	1.0	522.133	8913	9325	8568	9325	5942	6.9	8.62E-04	GFL11 - 3S □□□ 071C13 MDFKS□□ 071-13 180
996	54	2.5	65.306	1497	9325	1719	9326	2626	54	1.70E-03	GFL11 - 3S □□□ 071C33 MDFKS□□ 071-33 175
1431	37	2.1	93.540	2145	9325	2463	9326	3206	37	1.50E-03	GFL11 - 3S □□□ 071C33 MDFKS□□ 071-33 175
1613	33	2.1	105.397	2416	9325	2775	9326	3613	33	1.50E-03	GFL11 - 3S □□□ 071C33 MDFKS□□ 071-33 175
2294	23	1.6	149.144	3419	9325	3927	9326	3894	23	1.23E-03	GFL11 - 3S □□□ 071C33 MDFKS□□ 071-33 175
2585	21	1.6	168.049	3853	9325	4425	9326	4387	21	1.23E-03	GFL11 - 3S □□□ 071C33 MDFKS□□ 071-33 175
2818	19	1.4	182.792	4191	9325	4813	9326	4233	19	1.17E-03	GFL11 - 3S □□□ 071C33 MDFKS□□ 071-33 175
3175	17	1.4	205.963	4722	9325	5423	9326	4769	17	1.16E-03	GFL11 - 3S □□□ 071C33 MDFKS□□ 071-33 175
3469	16	1.2	224.636	5150	9325	5914	9326	4523	16	1.15E-03	GFL11 - 3S □□□ 071C33 MDFKS□□ 071-33 175
3909	14	1.2	253.111	5803	9325	6664	9326	5097	14	1.15E-03	GFL11 - 3S □□□ 071C33 MDFKS□□ 071-33 175
4130	13	1.2	267.259	6127	9325	7037	9326	5106	13	1.19E-03	GFL11 - 3S □□□ 071C33 MDFKS□□ 071-33 175
5069	11	1.0	327.556	7510	9325	8284	9326	5523	11	1.14E-03	GFL11 - 3S □□□ 071C33 MDFKS□□ 071-33 175

Observe the notes for thermal dimensioning.

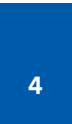
Selection tables - Shaft-mounted helical gearboxes

Naturally ventilated asynchronous geared servo motors



M ₂ [Nm]	n _{2 trans} [rpm]	c	i	M _{2 max} short-time on geared motor at				M _{2 Gr} gearbox c=1 n ₁ ≤ 1400 rpm [Nm]	n _{2 therm} [rpm]	J _{GM} referred to motor shaft [kgm ²]	Servo shaft-mounted helical geared motor Dimensions on Page 4-82
				8 kHz		16 kHz					
				M _{2 max} [Nm]	Type EVS	M _{2 max} [Nm]	Type EVS				
13	562	6.0	7.025	30	9322	36	9323	113	562	2.87E-04	GFL04 - 2A □□□ 056C22 MDSKA□□ 056-22 140
19	386	5.8	10.238	44	9322	53	9323	159	386	2.77E-04	GFL04 - 2A □□□ 056C22 MDSKA□□ 056-22 140
21	344	5.9	11.491	50	9322	59	9323	181	344	2.81E-04	GFL04 - 2A □□□ 056C22 MDSKA□□ 056-22 140
24	309	4.8	12.800	55	9322	66	9323	166	309	2.78E-04	GFL04 - 2A □□□ 056C22 MDSKA□□ 056-22 140
27	269	4.6	14.706	64	9322	76	9323	182	269	2.68E-04	GFL04 - 2A □□□ 056C22 MDSKA□□ 056-22 140
30	246	4.2	16.087	70	9322	83	9323	182	246	2.65E-04	GFL04 - 2A □□□ 056C22 MDSKA□□ 056-22 140
34	220	3.5	17.920	77	9322	92	9323	167	220	2.63E-04	GFL04 - 2A □□□ 056C22 MDSKA□□ 056-22 140
39	193	3.3	20.519	89	9322	106	9323	183	193	2.57E-04	GFL04 - 2A □□□ 056C22 MDSKA□□ 056-22 140
44	173	2.7	22.857	99	9322	118	9323	167	173	2.56E-04	GFL04 - 2A □□□ 056C22 MDSKA□□ 056-22 140
48	157	3.1	25.136	109	9322	129	9323	183	157	2.53E-04	GFL04 - 2A □□□ 056C22 MDSKA□□ 056-22 140
53	141	2.5	28.000	121	9322	144	9323	168	141	2.52E-04	GFL04 - 2A □□□ 056C22 MDSKA□□ 056-22 140
60	125	2.5	31.600	136	9322	163	9323	185	125	2.49E-04	GFL04 - 2A □□□ 056C22 MDSKA□□ 056-22 140
68	112	2.0	35.200	152	9322	181	9323	170	112	2.48E-04	GFL04 - 2A □□□ 056C22 MDSKA□□ 056-22 140
78	97	1.9	40.697	176	9322	209	9323	187	97	2.46E-04	GFL04 - 2A □□□ 056C22 MDSKA□□ 056-22 140
87	87	1.6	45.333	196	9322	233	9323	172	87	2.46E-04	GFL04 - 2A □□□ 056C22 MDSKA□□ 056-22 140
14	1107	5.5	3.659	45	9324	33	9324	109	1003	9.81E-04	GFL04 - 2A □□□ 071C22 MDSKA□□ 071-22 140
19	807	4.1	5.018	61	9324	45	9324	111	769	9.16E-04	GFL04 - 2A □□□ 071C22 MDSKA□□ 071-22 140
22	694	4.9	5.833	71	9324	52	9324	153	616	9.23E-04	GFL04 - 2A □□□ 071C22 MDSKA□□ 071-22 140
24	631	3.2	6.422	79	9324	57	9324	113	631	8.86E-04	GFL04 - 2A □□□ 071C22 MDSKA□□ 071-22 140
27	576	3.0	7.025	86	9324	63	9324	113	576	8.77E-04	GFL04 - 2A □□□ 071C22 MDSKA□□ 071-22 140
32	483	3.9	8.379	102	9324	75	9324	179	413	8.97E-04	GFL04 - 2A □□□ 071C22 MDSKA□□ 071-22 140
35	434	3.3	9.333	114	9324	83	9324	165	358	8.91E-04	GFL04 - 2A □□□ 071C22 MDSKA□□ 071-22 140
39	396	2.9	10.238	125	9324	91	9324	159	396	8.67E-04	GFL04 - 2A □□□ 071C22 MDSKA□□ 071-22 140
44	352	2.9	11.491	141	9324	103	9324	181	317	8.71E-04	GFL04 - 2A □□□ 071C22 MDSKA□□ 071-22 140
49	316	2.4	12.800	157	9324	114	9324	166	274	8.68E-04	GFL04 - 2A □□□ 071C22 MDSKA□□ 071-22 140
56	275	2.3	14.706	180	9324	131	9324	182	275	8.58E-04	GFL04 - 2A □□□ 071C22 MDSKA□□ 071-22 140
62	252	2.1	16.087	197	9324	144	9324	182	252	8.55E-04	GFL04 - 2A □□□ 071C22 MDSKA□□ 071-22 140
69	226	1.7	17.920	219	9324	160	9324	167	217	8.53E-04	GFL04 - 2A □□□ 071C22 MDSKA□□ 071-22 140
79	197	1.7	20.519	251	9324	183	9324	183	197	8.47E-04	GFL04 - 2A □□□ 071C22 MDSKA□□ 071-22 140
88	177	1.4	22.857	251	9324	204	9324	167	174	8.46E-04	GFL04 - 2A □□□ 071C22 MDSKA□□ 071-22 140
97	161	1.5	25.136	275	9324	224	9324	183	161	8.43E-04	GFL04 - 2A □□□ 071C22 MDSKA□□ 071-22 140
108	145	1.3	28.000	252	9324	250	9324	168	145	8.42E-04	GFL04 - 2A □□□ 071C22 MDSKA□□ 071-22 140
42	173	5.1	22.857	99	9322	118	9323	313	173	2.83E-04	GFL05 - 2A □□□ 056C22 MDSKA□□ 056-22 140
46	159	5.9	24.850	107	9322	128	9323	344	159	2.75E-04	GFL05 - 2A □□□ 056C22 MDSKA□□ 056-22 140

Observe the notes for thermal dimensioning.



Selection tables - Shaft-mounted helical gearboxes

Naturally ventilated asynchronous geared servo motors

M ₂ [Nm]	n ₂ trans [rpm]	c	i	M ₂ max short-time on geared motor at				M ₂ Gr gearbox c=1 n ₁ ≤ 1400 rpm [Nm]	n ₂ therm [rpm]	J _{GM} referred to motor shaft [kgm ²]	Servo shaft-mounted helical geared motor Dimensions on Page 4-82
				8 kHz		16 kHz					
				M ₂ max [Nm]	Type EVS	M ₂ max [Nm]	Type EVS				
52	141	4.8	28.000	121	9322	144	9323	314	141	2.73E-04	GFLO5 - 2A □□□ 056C22 MDSKA□□ 056-22 140
60	122	4.5	32.344	140	9322	166	9323	345	122	2.60E-04	GFLO5 - 2A □□□ 056C22 MDSKA□□ 056-22 140
69	108	3.7	36.444	157	9322	187	9323	316	108	2.60E-04	GFLO5 - 2A □□□ 056C22 MDSKA□□ 056-22 140
76	98	3.6	40.233	174	9322	207	9323	345	98	2.55E-04	GFLO5 - 2A □□□ 056C22 MDSKA□□ 056-22 140
86	87	3.0	45.333	196	9322	233	9323	319	87	2.54E-04	GFLO5 - 2A □□□ 056C22 MDSKA□□ 056-22 140
99	76	2.5	52.067	225	9322	268	9323	309	76	2.49E-04	GFLO5 - 2A □□□ 056C22 MDSKA□□ 056-22 140
112	67	2.3	58.667	253	9322	302	9323	322	67	2.49E-04	GFLO5 - 2A □□□ 056C22 MDSKA□□ 056-22 140
121	63	1.9	63.190	273	9322	325	9323	282	63	2.47E-04	GFLO5 - 2A □□□ 056C22 MDSKA□□ 056-22 140
137	55	2.0	71.200	307	9322	366	9323	305	55	2.46E-04	GFLO5 - 2A □□□ 056C22 MDSKA□□ 056-22 140
24	633	5.0	6.400	78	9324	57	9324	173	621	9.12E-04	GFLO5 - 2A □□□ 071C22 MDSKA□□ 071-22 140
33	450	5.5	9.010	110	9324	80	9324	266	433	9.25E-04	GFLO5 - 2A □□□ 071C22 MDSKA□□ 071-22 140
37	407	5.1	9.946	122	9324	89	9324	275	388	9.19E-04	GFLO5 - 2A □□□ 071C22 MDSKA□□ 071-22 140
42	357	4.5	11.360	139	9324	101	9324	278	305	9.38E-04	GFLO5 - 2A □□□ 071C22 MDSKA□□ 071-22 140
48	316	4.1	12.800	157	9324	114	9324	285	266	9.31E-04	GFLO5 - 2A □□□ 071C22 MDSKA□□ 071-22 140
55	279	3.8	14.538	178	9324	130	9324	301	253	9.05E-04	GFLO5 - 2A □□□ 071C22 MDSKA□□ 071-22 140
60	255	3.6	15.904	194	9324	142	9324	310	237	8.90E-04	GFLO5 - 2A □□□ 071C22 MDSKA□□ 071-22 140
68	226	3.2	17.920	219	9324	160	9324	312	206	8.91E-04	GFLO5 - 2A □□□ 071C22 MDSKA□□ 071-22 140
77	200	3.0	20.286	248	9324	181	9324	333	200	8.73E-04	GFLO5 - 2A □□□ 071C22 MDSKA□□ 071-22 140
87	177	2.5	22.857	279	9324	204	9324	313	177	8.73E-04	GFLO5 - 2A □□□ 071C22 MDSKA□□ 071-22 140
95	163	2.9	24.850	304	9324	222	9324	344	163	8.65E-04	GFLO5 - 2A □□□ 071C22 MDSKA□□ 071-22 140
107	145	2.4	28.000	342	9324	250	9324	314	145	8.63E-04	GFLO5 - 2A □□□ 071C22 MDSKA□□ 071-22 140
124	125	2.2	32.344	395	9324	289	9324	345	125	8.50E-04	GFLO5 - 2A □□□ 071C22 MDSKA□□ 071-22 140
140	111	1.8	36.444	446	9324	325	9324	316	111	8.50E-04	GFLO5 - 2A □□□ 071C22 MDSKA□□ 071-22 140
155	101	1.8	40.233	492	9324	359	9324	345	101	8.45E-04	GFLO5 - 2A □□□ 071C22 MDSKA□□ 071-22 140
175	89	1.5	45.333	479	9324	405	9324	319	89	8.44E-04	GFLO5 - 2A □□□ 071C22 MDSKA□□ 071-22 140
28	438	5.2	4.571	67	9323	94	9324	170	438	2.13E-03	GFLO5 - 2A □□□ 080C22 MDSKA□□ 080-22 70
35	353	5.7	5.667	83	9323	117	9324	233	353	2.15E-03	GFLO5 - 2A □□□ 080C22 MDSKA□□ 080-22 70
40	313	3.8	6.400	94	9323	132	9324	173	313	2.00E-03	GFLO5 - 2A □□□ 080C22 MDSKA□□ 080-22 70
44	284	4.9	7.040	103	9323	145	9324	248	284	2.07E-03	GFLO5 - 2A □□□ 080C22 MDSKA□□ 080-22 70
49	257	4.6	7.771	114	9323	160	9324	258	257	2.07E-03	GFLO5 - 2A □□□ 080C22 MDSKA□□ 080-22 70
57	222	4.1	9.010	132	9323	185	9324	266	222	2.02E-03	GFLO5 - 2A □□□ 080C22 MDSKA□□ 080-22 70
63	201	3.9	9.946	146	9323	205	9324	275	201	2.01E-03	GFLO5 - 2A □□□ 080C22 MDSKA□□ 080-22 70
72	176	3.4	11.360	166	9323	234	9324	278	176	2.03E-03	GFLO5 - 2A □□□ 080C22 MDSKA□□ 080-22 70
81	156	3.1	12.800	188	9323	263	9324	285	156	2.02E-03	GFLO5 - 2A □□□ 080C22 MDSKA□□ 080-22 70

Observe the notes for thermal dimensioning.

Selection tables - Shaft-mounted helical gearboxes

Naturally ventilated asynchronous geared servo motors



M ₂ [Nm]	n _{2 trans} [rpm]	c	i	M _{2 max} short-time on geared motor at				M _{2 Gr} gearbox c=1 n ₁ ≤ 1400 rpm [Nm]	n _{2 therm} [rpm]	J _{GM} referred to motor shaft [kgm ²]	Servo shaft-mounted helical geared motor Dimensions on Page 4-82
				8 kHz		16 kHz					
				M _{2 max} [Nm]	Type EVS	M _{2 max} [Nm]	Type EVS				
93	138	2.9	14.538	213	9323	299	9324	301	138	1.99E-03	GFLO5 - 2A □□□ 080C22 MDSKA□□ 080-22 70
102	126	2.7	15.904	233	9323	327	9324	310	126	1.98E-03	GFLO5 - 2A □□□ 080C22 MDSKA□□ 080-22 70
115	112	2.4	17.920	263	9323	369	9324	312	112	1.98E-03	GFLO5 - 2A □□□ 080C22 MDSKA□□ 080-22 70
130	99	2.3	20.286	297	9323	417	9324	333	99	1.96E-03	GFLO5 - 2A □□□ 080C22 MDSKA□□ 080-22 70
147	88	1.9	22.857	335	9323	470	9324	313	88	1.96E-03	GFLO5 - 2A □□□ 080C22 MDSKA□□ 080-22 70
160	80	2.1	24.850	364	9323	511	9324	344	80	1.95E-03	GFLO5 - 2A □□□ 080C22 MDSKA□□ 080-22 70
181	71	1.7	28.000	410	9323	471	9324	314	71	1.95E-03	GFLO5 - 2A □□□ 080C22 MDSKA□□ 080-22 70
23	897	5.1	4.571	59	9324	85	9325	170	775	2.13E-03	GFLO5 - 2A □□□ 080C22 MDSKA□□ 080-22 140
26	799	5.9	5.133	66	9324	95	9325	223	607	2.16E-03	GFLO5 - 2A □□□ 080C22 MDSKA□□ 080-22 140
28	724	5.6	5.667	73	9324	105	9325	233	544	2.15E-03	GFLO5 - 2A □□□ 080C22 MDSKA□□ 080-22 140
33	641	3.7	6.400	82	9324	119	9325	173	561	2.00E-03	GFLO5 - 2A □□□ 080C22 MDSKA□□ 080-22 140
35	582	4.8	7.040	90	9324	131	9325	248	498	2.07E-03	GFLO5 - 2A □□□ 080C22 MDSKA□□ 080-22 140
39	528	4.5	7.771	100	9324	144	9325	258	447	2.07E-03	GFLO5 - 2A □□□ 080C22 MDSKA□□ 080-22 140
46	455	4.0	9.010	115	9324	167	9325	266	399	2.02E-03	GFLO5 - 2A □□□ 080C22 MDSKA□□ 080-22 140
51	412	3.8	9.946	127	9324	184	9325	275	361	2.01E-03	GFLO5 - 2A □□□ 080C22 MDSKA□□ 080-22 140
58	361	3.3	11.360	146	9324	211	9325	278	288	2.03E-03	GFLO5 - 2A □□□ 080C22 MDSKA□□ 080-22 140
66	320	3.0	12.800	164	9324	237	9325	285	251	2.02E-03	GFLO5 - 2A □□□ 080C22 MDSKA□□ 080-22 140
75	282	2.8	14.538	186	9324	269	9325	301	239	1.99E-03	GFLO5 - 2A □□□ 080C22 MDSKA□□ 080-22 140
82	258	2.7	15.904	204	9324	295	9325	310	225	1.98E-03	GFLO5 - 2A □□□ 080C22 MDSKA□□ 080-22 140
93	229	2.4	17.920	230	9324	332	9325	312	195	1.98E-03	GFLO5 - 2A □□□ 080C22 MDSKA□□ 080-22 140
105	202	2.2	20.286	260	9324	376	9325	333	177	1.96E-03	GFLO5 - 2A □□□ 080C22 MDSKA□□ 080-22 140
119	179	1.9	22.857	293	9324	424	9325	313	157	1.96E-03	GFLO5 - 2A □□□ 080C22 MDSKA□□ 080-22 140
129	165	2.1	24.850	318	9324	461	9325	344	144	1.95E-03	GFLO5 - 2A □□□ 080C22 MDSKA□□ 080-22 140
146	146	1.7	28.000	359	9324	471	9325	314	128	1.95E-03	GFLO5 - 2A □□□ 080C22 MDSKA□□ 080-22 140
117	64	1.4	61.653	262	9322	311	9323	207	64	2.60E-04	GFLO5 - 3A □□□ 056C22 MDSKA□□ 056-22 140
150	50	1.4	78.639	334	9322	338	9323	225	50	2.55E-04	GFLO5 - 3A □□□ 056C22 MDSKA□□ 056-22 140
171	44	1.6	90.123	383	9322	454	9323	303	44	2.60E-04	GFLO5 - 3A □□□ 056C22 MDSKA□□ 056-22 140
193	39	1.5	101.547	432	9322	492	9323	328	39	2.60E-04	GFLO5 - 3A □□□ 056C22 MDSKA□□ 056-22 140
219	34	1.4	114.952	489	9322	493	9323	329	34	2.54E-04	GFLO5 - 3A □□□ 056C22 MDSKA□□ 056-22 140
247	31	1.2	129.524	492	9322	492	9323	328	31	2.54E-04	GFLO5 - 3A □□□ 056C22 MDSKA□□ 056-22 140
269	28	1.2	140.817	518	9322	518	9323	345	28	2.51E-04	GFLO5 - 3A □□□ 056C22 MDSKA□□ 056-22 140
85	86	5.7	45.963	198	9322	236	9323	613	86	2.81E-04	GFLO6 - 2A □□□ 056C22 MDSKA□□ 056-22 140
98	75	5.3	52.800	228	9322	272	9323	660	75	2.66E-04	GFLO6 - 2A □□□ 056C22 MDSKA□□ 056-22 140
111	66	4.4	59.481	257	9322	306	9323	615	66	2.65E-04	GFLO6 - 2A □□□ 056C22 MDSKA□□ 056-22 140

Observe the notes for thermal dimensioning.

Selection tables - Shaft-mounted helical gearboxes

Naturally ventilated asynchronous geared servo motors

M ₂ [Nm]	n ₂ trans [rpm]	c	i	M ₂ max short-time on geared motor at				M ₂ Gr gearbox c=1 n ₁ ≤ 1400 rpm [Nm]	n ₂ therm [rpm]	J _{GM} referred to motor shaft [kgm ²]	Servo shaft-mounted helical geared motor Dimensions on Page 4-82
				8 kHz		16 kHz					
				M ₂ max [Nm]	Type EVS	M ₂ max [Nm]	Type EVS				
121	62	3.8	64.080	277	9322	330	9323	576	62	2.59E-04	GFL06 - 2A □□□ 056C22 MDSKA□□ 056-22 140
136	55	4.0	72.189	312	9322	371	9323	616	55	2.59E-04	GFL06 - 2A □□□ 056C22 MDSKA□□ 056-22 140
155	49	2.5	81.000	350	9322	417	9323	435	49	2.53E-04	GFL06 - 2A □□□ 056C22 MDSKA□□ 056-22 140
174	43	2.5	91.250	394	9322	469	9323	476	43	2.52E-04	GFL06 - 2A □□□ 056C22 MDSKA□□ 056-22 140
76	197	5.8	20.571	252	9324	184	9324	645	193	9.49E-04	GFL06 - 2A □□□ 071C22 MDSKA□□ 071-22 140
86	175	4.8	23.175	283	9324	207	9324	604	166	9.43E-04	GFL06 - 2A □□□ 071C22 MDSKA□□ 071-22 140
93	161	5.4	25.200	308	9324	225	9324	651	161	9.20E-04	GFL06 - 2A □□□ 071C22 MDSKA□□ 071-22 140
106	143	4.5	28.389	347	9324	253	9324	607	143	9.16E-04	GFL06 - 2A □□□ 071C22 MDSKA□□ 071-22 140
123	123	4.1	32.800	401	9324	293	9324	641	123	8.88E-04	GFL06 - 2A □□□ 071C22 MDSKA□□ 071-22 140
140	110	3.5	36.951	452	9324	330	9324	611	110	8.86E-04	GFL06 - 2A □□□ 071C22 MDSKA□□ 071-22 140
154	99	3.4	40.800	499	9324	364	9324	657	99	8.73E-04	GFL06 - 2A □□□ 071C22 MDSKA□□ 071-22 140
175	88	2.8	45.963	562	9324	410	9324	613	88	8.71E-04	GFL06 - 2A □□□ 071C22 MDSKA□□ 071-22 140
201	77	2.6	52.800	646	9324	471	9324	660	77	8.56E-04	GFL06 - 2A □□□ 071C22 MDSKA□□ 071-22 140
228	68	2.2	59.481	727	9324	531	9324	615	68	8.55E-04	GFL06 - 2A □□□ 071C22 MDSKA□□ 071-22 140
246	63	1.9	64.080	783	9324	572	9324	576	63	8.49E-04	GFL06 - 2A □□□ 071C22 MDSKA□□ 071-22 140
277	56	2.0	72.189	883	9324	644	9324	616	56	8.49E-04	GFL06 - 2A □□□ 071C22 MDSKA□□ 071-22 140
100	124	5.6	16.128	236	9323	332	9324	643	124	2.09E-03	GFL06 - 2A □□□ 080C22 MDSKA□□ 080-22 70
114	110	4.6	18.169	266	9323	374	9324	600	110	2.08E-03	GFL06 - 2A □□□ 080C22 MDSKA□□ 080-22 70
129	97	4.4	20.571	301	9323	423	9324	645	97	2.04E-03	GFL06 - 2A □□□ 080C22 MDSKA□□ 080-22 70
147	86	3.6	23.175	340	9323	477	9324	604	86	2.03E-03	GFL06 - 2A □□□ 080C22 MDSKA□□ 080-22 70
159	79	4.0	25.200	369	9323	518	9324	651	79	2.01E-03	GFL06 - 2A □□□ 080C22 MDSKA□□ 080-22 70
180	70	3.3	28.389	416	9323	584	9324	607	70	2.01E-03	GFL06 - 2A □□□ 080C22 MDSKA□□ 080-22 70
209	61	3.0	32.800	481	9323	675	9324	641	61	1.98E-03	GFL06 - 2A □□□ 080C22 MDSKA□□ 080-22 70
236	54	2.5	36.951	541	9323	760	9324	611	54	1.98E-03	GFL06 - 2A □□□ 080C22 MDSKA□□ 080-22 70
261	49	2.5	40.800	598	9323	839	9324	657	49	1.96E-03	GFL06 - 2A □□□ 080C22 MDSKA□□ 080-22 70
296	44	2.1	45.963	673	9323	919	9324	613	44	1.96E-03	GFL06 - 2A □□□ 080C22 MDSKA□□ 080-22 70
73	278	5.9	14.743	189	9324	273	9325	641	240	2.12E-03	GFL06 - 2A □□□ 080C22 MDSKA□□ 080-22 140
81	254	5.4	16.128	207	9324	299	9325	643	223	2.09E-03	GFL06 - 2A □□□ 080C22 MDSKA□□ 080-22 140
92	226	4.5	18.169	233	9324	337	9325	600	191	2.08E-03	GFL06 - 2A □□□ 080C22 MDSKA□□ 080-22 140
104	199	4.3	20.571	264	9324	381	9325	645	175	2.04E-03	GFL06 - 2A □□□ 080C22 MDSKA□□ 080-22 140
118	177	3.6	23.175	297	9324	430	9325	604	155	2.03E-03	GFL06 - 2A □□□ 080C22 MDSKA□□ 080-22 140
128	163	4.0	25.200	323	9324	467	9325	651	142	2.01E-03	GFL06 - 2A □□□ 080C22 MDSKA□□ 080-22 140
145	144	3.3	28.389	364	9324	526	9325	607	126	2.01E-03	GFL06 - 2A □□□ 080C22 MDSKA□□ 080-22 140
168	125	3.0	32.800	420	9324	608	9325	641	109	1.98E-03	GFL06 - 2A □□□ 080C22 MDSKA□□ 080-22 140

Observe the notes for thermal dimensioning.

Selection tables - Shaft-mounted helical gearboxes

Naturally ventilated asynchronous geared servo motors



M ₂ [Nm]	n _{2 trans} [rpm]	c	i	M _{2 max} short-time on geared motor at				M _{2 Gr} gearbox c=1 n ₁ ≤ 1400 rpm [Nm]	n _{2 therm} [rpm]	J _{GM} referred to motor shaft [kgm ²]	Servo shaft-mounted helical geared motor Dimensions on Page 4-82
				8 kHz		16 kHz					
				M _{2 max} [Nm]	Type EVS	M _{2 max} [Nm]	Type EVS				
190	111	2.6	36.951	473	9324	685	9325	611	97	1.98E-03	GFL06 - 2A □□□ 080C22 MDSKA□□ 080-22 140
210	100	2.5	40.800	523	9324	756	9325	657	88	1.96E-03	GFL06 - 2A □□□ 080C22 MDSKA□□ 080-22 140
238	89	2.1	45.963	589	9324	852	9325	613	78	1.96E-03	GFL06 - 2A □□□ 080C22 MDSKA□□ 080-22 140
65	357	4.5	6.450	153	9324	216	9325	352	357	3.97E-03	GFL06 - 2A □□□ 090C22 MDSKA□□ 090-22 80
72	322	5.0	7.147	169	9324	239	9325	433	322	4.00E-03	GFL06 - 2A □□□ 090C22 MDSKA□□ 090-22 80
84	274	5.9	8.400	199	9324	281	9325	604	274	4.03E-03	GFL06 - 2A □□□ 090C22 MDSKA□□ 090-22 80
95	243	5.1	9.463	224	9324	317	9325	581	243	3.99E-03	GFL06 - 2A □□□ 090C22 MDSKA□□ 090-22 80
103	228	3.8	10.092	239	9324	338	9325	459	228	3.85E-03	GFL06 - 2A □□□ 090C22 MDSKA□□ 090-22 80
116	200	4.5	11.520	273	9324	386	9325	632	200	3.77E-03	GFL06 - 2A □□□ 090C22 MDSKA□□ 090-22 80
132	177	3.8	12.978	307	9324	434	9325	592	177	3.86E-03	GFL06 - 2A □□□ 090C22 MDSKA□□ 090-22 80
150	156	3.6	14.743	349	9324	494	9325	641	156	3.80E-03	GFL06 - 2A □□□ 090C22 MDSKA□□ 090-22 80
165	143	3.3	16.128	382	9324	540	9325	643	143	3.77E-03	GFL06 - 2A □□□ 090C22 MDSKA□□ 090-22 80
187	127	2.7	18.169	430	9324	608	9325	600	127	3.76E-03	GFL06 - 2A □□□ 090C22 MDSKA□□ 090-22 80
212	112	2.6	20.571	487	9324	689	9325	645	112	3.72E-03	GFL06 - 2A □□□ 090C22 MDSKA□□ 090-22 80
240	99	2.2	23.175	549	9324	776	9325	604	99	3.71E-03	GFL06 - 2A □□□ 090C22 MDSKA□□ 090-22 80
260	91	2.4	25.200	597	9324	844	9325	651	91	3.69E-03	GFL06 - 2A □□□ 090C22 MDSKA□□ 090-22 80
294	81	2.0	28.389	672	9324	911	9325	607	81	3.69E-03	GFL06 - 2A □□□ 090C22 MDSKA□□ 090-22 80
50	715	6.0	5.750	131	9325	156	9326	442	460	4.20E-03	GFL06 - 2A □□□ 090C22 MDSKA□□ 090-22 140
57	637	4.2	6.450	146	9325	175	9326	352	482	3.97E-03	GFL06 - 2A □□□ 090C22 MDSKA□□ 090-22 140
63	575	4.7	7.147	162	9325	194	9326	433	409	4.00E-03	GFL06 - 2A □□□ 090C22 MDSKA□□ 090-22 140
74	489	5.6	8.400	191	9325	228	9326	604	311	4.03E-03	GFL06 - 2A □□□ 090C22 MDSKA□□ 090-22 140
84	434	4.8	9.463	215	9325	257	9326	581	267	3.99E-03	GFL06 - 2A □□□ 090C22 MDSKA□□ 090-22 140
91	407	3.5	10.092	229	9325	274	9326	459	308	3.85E-03	GFL06 - 2A □□□ 090C22 MDSKA□□ 090-22 140
103	357	4.3	11.520	262	9325	313	9326	632	249	3.77E-03	GFL06 - 2A □□□ 090C22 MDSKA□□ 090-22 140
116	317	3.5	12.978	295	9325	353	9326	592	213	3.86E-03	GFL06 - 2A □□□ 090C22 MDSKA□□ 090-22 140
133	279	3.4	14.743	335	9325	401	9326	641	211	3.80E-03	GFL06 - 2A □□□ 090C22 MDSKA□□ 090-22 140
145	255	3.1	16.128	366	9325	438	9326	643	193	3.77E-03	GFL06 - 2A □□□ 090C22 MDSKA□□ 090-22 140
165	226	2.6	18.169	413	9325	494	9326	600	171	3.76E-03	GFL06 - 2A □□□ 090C22 MDSKA□□ 090-22 140
187	200	2.4	20.571	467	9325	559	9326	645	151	3.72E-03	GFL06 - 2A □□□ 090C22 MDSKA□□ 090-22 140
211	177	2.0	23.175	526	9325	630	9326	604	134	3.71E-03	GFL06 - 2A □□□ 090C22 MDSKA□□ 090-22 140
229	163	2.3	25.200	572	9325	685	9326	651	123	3.69E-03	GFL06 - 2A □□□ 090C22 MDSKA□□ 090-22 140
259	145	1.9	28.389	645	9325	771	9326	607	110	3.69E-03	GFL06 - 2A □□□ 090C22 MDSKA□□ 090-22 140
123	60	3.6	66.213	282	9322	335	9323	497	60	2.69E-04	GFL06 - 3A □□□ 056C22 MDSKA□□ 056-22 140
134	55	3.3	72.000	306	9322	365	9323	497	55	2.66E-04	GFL06 - 3A □□□ 056C22 MDSKA□□ 056-22 140

Observe the notes for thermal dimensioning.

Selection tables - Shaft-mounted helical gearboxes

Naturally ventilated asynchronous geared servo motors

M ₂ [Nm]	n ₂ trans [rpm]	c	i	M ₂ max short-time on geared motor at				M ₂ Gr gearbox c=1 n ₁ ≤ 1400 rpm [Nm]	n ₂ therm [rpm]	J _{GM} referred to motor shaft [kgm ²]	Servo shaft-mounted helical geared motor Dimensions on Page 4-82
				8 kHz		16 kHz					
				M ₂ max [Nm]	Type EVS	M ₂ max [Nm]	Type EVS				
152	49	2.9	81.111	345	9322	411	9323	497	49	2.66E-04	GFL06 - 3A □□□ 056C22 MDSKA□□ 056-22 140
166	45	2.6	88.200	375	9322	447	9323	488	45	2.59E-04	GFL06 - 3A □□□ 056C22 MDSKA□□ 056-22 140
187	40	2.6	99.361	423	9322	503	9323	550	40	2.59E-04	GFL06 - 3A □□□ 056C22 MDSKA□□ 056-22 140
220	34	2.2	116.571	496	9322	590	9323	528	34	2.49E-04	GFL06 - 3A □□□ 056C22 MDSKA□□ 056-22 140
248	30	2.2	131.323	559	9322	665	9323	595	30	2.61E-04	GFL06 - 3A □□□ 056C22 MDSKA□□ 056-22 140
273	27	1.9	144.320	614	9322	731	9323	560	27	2.51E-04	GFL06 - 3A □□□ 056C22 MDSKA□□ 056-22 140
308	24	1.8	162.583	691	9322	824	9323	613	24	2.51E-04	GFL06 - 3A □□□ 056C22 MDSKA□□ 056-22 140
341	22	1.6	179.520	764	9322	908	9323	605	22	2.50E-04	GFL06 - 3A □□□ 056C22 MDSKA□□ 056-22 140
385	20	1.4	202.237	860	9322	916	9323	611	20	2.50E-04	GFL06 - 3A □□□ 056C22 MDSKA□□ 056-22 140
440	17	1.3	231.200	951	9322	951	9323	634	17	2.47E-04	GFL06 - 3A □□□ 056C22 MDSKA□□ 056-22 140
497	15	1.1	260.457	919	9322	919	9323	613	15	2.47E-04	GFL06 - 3A □□□ 056C22 MDSKA□□ 056-22 140
251	61	1.8	66.213	745	9324	582	9324	497	61	8.59E-04	GFL06 - 3A □□□ 071C22 MDSKA□□ 071-22 140
273	56	1.6	72.000	745	9324	633	9324	497	56	8.56E-04	GFL06 - 3A □□□ 071C22 MDSKA□□ 071-22 140
309	50	1.4	81.111	745	9324	713	9324	497	50	8.56E-04	GFL06 - 3A □□□ 071C22 MDSKA□□ 071-22 140
336	46	1.3	88.200	732	9324	732	9324	488	46	8.49E-04	GFL06 - 3A □□□ 071C22 MDSKA□□ 071-22 140
379	41	1.3	99.361	824	9324	824	9324	550	41	8.49E-04	GFL06 - 3A □□□ 071C22 MDSKA□□ 071-22 140
502	31	1.1	131.323	893	9324	893	9324	595	31	8.51E-04	GFL06 - 3A □□□ 071C22 MDSKA□□ 071-22 140
117	63	5.3	63.190	273	9322	325	9323	792	63	2.97E-04	GFL07 - 2A □□□ 056C22 MDSKA□□ 056-22 140
131	55	5.9	71.200	307	9322	366	9323	893	55	2.96E-04	GFL07 - 2A □□□ 056C22 MDSKA□□ 056-22 140
149	49	4.7	79.875	345	9322	411	9323	796	49	2.77E-04	GFL07 - 2A □□□ 056C22 MDSKA□□ 056-22 140
168	44	4.7	90.000	389	9322	463	9323	897	44	2.76E-04	GFL07 - 2A □□□ 056C22 MDSKA□□ 056-22 140
146	102	5.8	39.642	485	9324	354	9324	1093	102	9.55E-04	GFL07 - 2A □□□ 071C22 MDSKA□□ 071-22 140
165	91	5.8	44.667	546	9324	399	9324	1231	91	9.50E-04	GFL07 - 2A □□□ 071C22 MDSKA□□ 071-22 140
195	78	4.6	52.067	637	9324	465	9324	1127	78	9.08E-04	GFL07 - 2A □□□ 071C22 MDSKA□□ 071-22 140
219	69	4.6	58.667	717	9324	524	9324	1270	69	9.05E-04	GFL07 - 2A □□□ 071C22 MDSKA□□ 071-22 140
238	64	3.8	63.190	773	9324	564	9324	1145	64	8.87E-04	GFL07 - 2A □□□ 071C22 MDSKA□□ 071-22 140
267	57	4.2	71.200	870	9324	636	9324	1280	57	8.86E-04	GFL07 - 2A □□□ 071C22 MDSKA□□ 071-22 140
305	51	2.5	79.875	977	9324	713	9324	854	51	8.67E-04	GFL07 - 2A □□□ 071C22 MDSKA□□ 071-22 140
344	45	2.4	90.000	1100	9324	803	9324	930	45	8.66E-04	GFL07 - 2A □□□ 071C22 MDSKA□□ 071-22 140
226	55	5.3	36.444	534	9323	750	9324	1248	55	2.08E-03	GFL07 - 2A □□□ 080C22 MDSKA□□ 080-22 70
246	50	5.3	39.642	581	9323	815	9324	1378	50	2.05E-03	GFL07 - 2A □□□ 080C22 MDSKA□□ 080-22 70
280	45	4.3	44.667	654	9323	919	9324	1258	45	2.04E-03	GFL07 - 2A □□□ 080C22 MDSKA□□ 080-22 70
328	38	4.0	52.067	763	9323	1071	9324	1342	38	2.00E-03	GFL07 - 2A □□□ 080C22 MDSKA□□ 080-22 70
372	34	3.3	58.667	860	9323	1207	9324	1270	34	2.00E-03	GFL07 - 2A □□□ 080C22 MDSKA□□ 080-22 70

Observe the notes for thermal dimensioning.

Selection tables - Shaft-mounted helical gearboxes

Naturally ventilated asynchronous geared servo motors



M ₂ [Nm]	n _{2 trans} [rpm]	c	i	M _{2 max} short-time on geared motor at				M _{2 Gr} gearbox c=1 n ₁ ≤ 1400 rpm [Nm]	n _{2 therm} [rpm]	J _{GM} referred to motor shaft [kgm ²]	Servo shaft-mounted helical geared motor Dimensions on Page 4-82
				8 kHz		16 kHz					
				M _{2 max} [Nm]	Type EVS	M _{2 max} [Nm]	Type EVS				
402	32	3.0	63.190	926	9323	1300	9324	1240	32	1.98E-03	GFLO7 - 2A □□□ 080C22 MDSKA□□ 080-22 70
454	28	2.8	71.200	1043	9323	1465	9324	1280	28	1.98E-03	GFLO7 - 2A □□□ 080C22 MDSKA□□ 080-22 70
182	113	5.3	36.444	467	9324	675	9325	1248	99	2.08E-03	GFLO7 - 2A □□□ 080C22 MDSKA□□ 080-22 140
198	103	5.4	39.642	508	9324	735	9325	1378	91	2.05E-03	GFLO7 - 2A □□□ 080C22 MDSKA□□ 080-22 140
226	92	4.4	44.667	572	9324	828	9325	1258	80	2.04E-03	GFLO7 - 2A □□□ 080C22 MDSKA□□ 080-22 140
264	79	4.0	52.067	667	9324	965	9325	1342	69	2.00E-03	GFLO7 - 2A □□□ 080C22 MDSKA□□ 080-22 140
300	70	3.4	58.667	751	9324	1087	9325	1270	61	2.00E-03	GFLO7 - 2A □□□ 080C22 MDSKA□□ 080-22 140
324	65	3.0	63.190	809	9324	1171	9325	1240	57	1.98E-03	GFLO7 - 2A □□□ 080C22 MDSKA□□ 080-22 140
365	58	3.1	71.200	912	9324	1319	9325	1280	50	1.98E-03	GFLO7 - 2A □□□ 080C22 MDSKA□□ 080-22 140
179	128	5.5	17.920	424	9324	600	9325	1189	128	4.10E-03	GFLO7 - 2A □□□ 090C22 MDSKA□□ 090-22 80
203	113	5.2	20.286	480	9324	679	9325	1262	113	3.95E-03	GFLO7 - 2A □□□ 090C22 MDSKA□□ 090-22 80
231	101	4.5	22.857	541	9324	765	9325	1240	101	3.93E-03	GFLO7 - 2A □□□ 090C22 MDSKA□□ 090-22 80
249	93	5.1	24.850	588	9324	832	9325	1337	93	3.86E-03	GFLO7 - 2A □□□ 090C22 MDSKA□□ 090-22 80
284	82	4.2	28.000	663	9324	937	9325	1242	82	3.85E-03	GFLO7 - 2A □□□ 090C22 MDSKA□□ 090-22 80
328	71	4.0	32.344	766	9324	1083	9325	1370	71	3.77E-03	GFLO7 - 2A □□□ 090C22 MDSKA□□ 090-22 80
373	63	3.2	36.444	863	9324	1220	9325	1248	63	3.76E-03	GFLO7 - 2A □□□ 090C22 MDSKA□□ 090-22 80
406	58	3.3	39.642	939	9324	1327	9325	1378	58	3.73E-03	GFLO7 - 2A □□□ 090C22 MDSKA□□ 090-22 80
460	51	2.6	44.667	1057	9324	1495	9325	1258	51	3.72E-03	GFLO7 - 2A □□□ 090C22 MDSKA□□ 090-22 80
139	258	5.7	15.904	361	9325	432	9326	1179	191	4.13E-03	GFLO7 - 2A □□□ 090C22 MDSKA□□ 090-22 140
158	229	5.1	17.920	407	9325	487	9326	1189	166	4.10E-03	GFLO7 - 2A □□□ 090C22 MDSKA□□ 090-22 140
180	203	4.8	20.286	461	9325	551	9326	1262	153	3.95E-03	GFLO7 - 2A □□□ 090C22 MDSKA□□ 090-22 140
204	180	4.2	22.857	519	9325	621	9326	1240	136	3.93E-03	GFLO7 - 2A □□□ 090C22 MDSKA□□ 090-22 140
220	165	4.7	24.850	564	9325	675	9326	1337	125	3.86E-03	GFLO7 - 2A □□□ 090C22 MDSKA□□ 090-22 140
250	147	3.9	28.000	636	9325	761	9326	1242	111	3.85E-03	GFLO7 - 2A □□□ 090C22 MDSKA□□ 090-22 140
290	127	3.7	32.344	734	9325	879	9326	1370	96	3.77E-03	GFLO7 - 2A □□□ 090C22 MDSKA□□ 090-22 140
329	113	3.0	36.444	827	9325	990	9326	1248	85	3.76E-03	GFLO7 - 2A □□□ 090C22 MDSKA□□ 090-22 140
358	104	3.1	39.642	900	9325	1077	9326	1378	78	3.73E-03	GFLO7 - 2A □□□ 090C22 MDSKA□□ 090-22 140
405	92	2.5	44.667	1014	9325	1213	9326	1258	70	3.72E-03	GFLO7 - 2A □□□ 090C22 MDSKA□□ 090-22 140
96	366	5.6	6.400	293	9325	210	9325	662	366	8.18E-03	GFLO7 - 2A □□□ 100C22 MDSKA□□ 100-22 80
141	249	5.8	9.379	430	9325	308	9325	999	241	8.40E-03	GFLO7 - 2A □□□ 100C22 MDSKA□□ 100-22 80
147	241	5.4	9.714	445	9325	319	9325	969	241	8.00E-03	GFLO7 - 2A □□□ 100C22 MDSKA□□ 100-22 80
175	203	5.1	11.538	528	9325	378	9325	1080	203	8.05E-03	GFLO7 - 2A □□□ 100C22 MDSKA□□ 100-22 80
198	180	4.6	13.000	595	9325	426	9325	1089	180	8.00E-03	GFLO7 - 2A □□□ 100C22 MDSKA□□ 100-22 80
217	165	4.4	14.200	650	9325	466	9325	1143	165	7.84E-03	GFLO7 - 2A □□□ 100C22 MDSKA□□ 100-22 80

Observe the notes for thermal dimensioning.

Selection tables - Shaft-mounted helical gearboxes

Naturally ventilated asynchronous geared servo motors

M ₂ [Nm]	n ₂ trans [rpm]	c	i	M ₂ max short-time on geared motor at				M ₂ Gr gearbox c=1 n ₁ ≤ 1400 rpm [Nm]	n ₂ therm [rpm]	J _{GM} referred to motor shaft [kgm ²]	Servo shaft-mounted helical geared motor Dimensions on Page 4-82
				8 kHz		16 kHz					
				M ₂ max [Nm]	Type EVS	M ₂ max [Nm]	Type EVS				
244	147	4.0	15.904	728	9325	522	9325	1179	147	7.73E-03	GFL07 - 2A □□□ 100C22 MDSKA□□ 100-22 80
276	131	3.6	17.920	821	9325	588	9325	1189	131	7.70E-03	GFL07 - 2A □□□ 100C22 MDSKA□□ 100-22 80
313	115	3.4	20.286	929	9325	665	9325	1262	115	7.55E-03	GFL07 - 2A □□□ 100C22 MDSKA□□ 100-22 80
354	102	3.0	22.857	1047	9325	750	9325	1240	102	7.53E-03	GFL07 - 2A □□□ 100C22 MDSKA□□ 100-22 80
384	94	3.3	24.850	1138	9325	815	9325	1337	94	7.46E-03	GFL07 - 2A □□□ 100C22 MDSKA□□ 100-22 80
435	84	2.7	28.000	1282	9325	918	9325	1242	84	7.45E-03	GFL07 - 2A □□□ 100C22 MDSKA□□ 100-22 80
128	360	5.7	11.538	485	9326	289	9326	1080	212	8.05E-03	GFL07 - 2A □□□ 100C22 MDSKA□□ 100-22 140
145	319	5.1	13.000	546	9326	325	9326	1089	188	8.00E-03	GFL07 - 2A □□□ 100C22 MDSKA□□ 100-22 140
159	292	4.9	14.200	597	9326	356	9326	1143	172	7.84E-03	GFL07 - 2A □□□ 100C22 MDSKA□□ 100-22 140
178	261	4.5	15.904	668	9326	398	9326	1179	154	7.73E-03	GFL07 - 2A □□□ 100C22 MDSKA□□ 100-22 140
202	232	4.1	17.920	753	9326	449	9326	1189	137	7.70E-03	GFL07 - 2A □□□ 100C22 MDSKA□□ 100-22 140
229	205	3.8	20.286	852	9326	508	9326	1262	121	7.55E-03	GFL07 - 2A □□□ 100C22 MDSKA□□ 100-22 140
260	182	3.3	22.857	960	9326	572	9326	1240	107	7.53E-03	GFL07 - 2A □□□ 100C22 MDSKA□□ 100-22 140
281	167	3.7	24.850	1044	9326	622	9326	1337	99	7.46E-03	GFL07 - 2A □□□ 100C22 MDSKA□□ 100-22 140
319	148	3.1	28.000	1176	9326	701	9326	1242	87	7.45E-03	GFL07 - 2A □□□ 100C22 MDSKA□□ 100-22 140
106	536	5.0	4.643	351	9326	251	9326	653	434	1.92E-02	GFL07 - 2A □□□ 112C22 MDSKA□□ 112-22 85
117	483	5.8	5.159	390	9326	279	9326	850	390	1.91E-02	GFL07 - 2A □□□ 112C22 MDSKA□□ 112-22 85
129	437	5.7	5.695	431	9326	308	9326	914	354	1.98E-02	GFL07 - 2A □□□ 112C22 MDSKA□□ 112-22 85
149	389	3.7	6.400	484	9326	347	9326	662	315	1.90E-02	GFL07 - 2A □□□ 112C22 MDSKA□□ 112-22 85
164	348	4.5	7.150	541	9326	387	9326	918	282	1.92E-02	GFL07 - 2A □□□ 112C22 MDSKA□□ 112-22 85
192	299	4.2	8.324	630	9326	451	9326	993	242	1.93E-02	GFL07 - 2A □□□ 112C22 MDSKA□□ 112-22 85
217	265	3.8	9.379	710	9326	508	9326	999	215	1.92E-02	GFL07 - 2A □□□ 112C22 MDSKA□□ 112-22 85
226	256	3.5	9.714	735	9326	526	9326	969	207	1.88E-02	GFL07 - 2A □□□ 112C22 MDSKA□□ 112-22 85
269	216	3.3	11.538	873	9326	625	9326	1080	175	1.89E-02	GFL07 - 2A □□□ 112C22 MDSKA□□ 112-22 85
304	192	3.0	13.000	984	9326	704	9326	1089	155	1.88E-02	GFL07 - 2A □□□ 112C22 MDSKA□□ 112-22 85
332	175	2.8	14.200	1075	9326	769	9326	1143	142	1.86E-02	GFL07 - 2A □□□ 112C22 MDSKA□□ 112-22 85
373	157	2.6	15.904	1204	9326	861	9326	1179	127	1.85E-02	GFL07 - 2A □□□ 112C22 MDSKA□□ 112-22 85
422	139	2.3	17.920	1356	9326	970	9326	1189	112	1.85E-02	GFL07 - 2A □□□ 112C22 MDSKA□□ 112-22 85
102	650	4.5	6.400	273	9326	233	9327	662	315	1.90E-02	GFL07 - 2A □□□ 112C22 MDSKA□□ 112-22 140
112	582	5.5	7.150	305	9326	260	9327	918	282	1.92E-02	GFL07 - 2A □□□ 112C22 MDSKA□□ 112-22 140
131	500	5.1	8.324	355	9326	303	9327	993	242	1.93E-02	GFL07 - 2A □□□ 112C22 MDSKA□□ 112-22 140
149	444	4.6	9.379	400	9326	341	9327	999	215	1.92E-02	GFL07 - 2A □□□ 112C22 MDSKA□□ 112-22 140
155	428	4.3	9.714	414	9326	353	9327	969	207	1.88E-02	GFL07 - 2A □□□ 112C22 MDSKA□□ 112-22 140
184	361	4.0	11.538	491	9326	420	9327	1080	175	1.89E-02	GFL07 - 2A □□□ 112C22 MDSKA□□ 112-22 140

Observe the notes for thermal dimensioning.

Selection tables - Shaft-mounted helical gearboxes

Naturally ventilated asynchronous geared servo motors



M ₂ [Nm]	n _{2 trans} [rpm]	c	i	M _{2 max} short-time on geared motor at				M _{2 Gr} gearbox c=1 n ₁ ≤ 1400 rpm [Nm]	n _{2 therm} [rpm]	J _{GM} referred to motor shaft [kgm ²]	Servo shaft-mounted helical geared motor Dimensions on Page 4-82
				8 kHz		16 kHz					
				M _{2 max} [Nm]	Type EVS	M _{2 max} [Nm]	Type EVS				
209	320	3.6	13.000	554	9326	473	9327	1089	155	1.88E-02	GFL07 - 2A □□□ 112C22 MDSKA□□ 112-22 140
228	293	3.5	14.200	605	9326	517	9327	1143	142	1.86E-02	GFL07 - 2A □□□ 112C22 MDSKA□□ 112-22 140
256	262	3.2	15.904	677	9326	579	9327	1179	127	1.85E-02	GFL07 - 2A □□□ 112C22 MDSKA□□ 112-22 140
290	232	2.9	17.920	763	9326	652	9327	1189	112	1.85E-02	GFL07 - 2A □□□ 112C22 MDSKA□□ 112-22 140
132	55	5.7	72.452	308	9322	367	9323	869	55	3.29E-04	GFL07 - 3A □□□ 056C22 MDSKA□□ 056-22 140
148	48	5.7	81.636	347	9322	414	9323	979	48	3.28E-04	GFL07 - 3A □□□ 056C22 MDSKA□□ 056-22 140
169	43	5.0	92.413	393	9322	468	9323	961	43	3.01E-04	GFL07 - 3A □□□ 056C22 MDSKA□□ 056-22 140
191	38	5.0	104.127	443	9322	527	9323	1082	38	3.00E-04	GFL07 - 3A □□□ 056C22 MDSKA□□ 056-22 140
209	35	4.4	113.206	481	9322	573	9323	1040	35	2.85E-04	GFL07 - 3A □□□ 056C22 MDSKA□□ 056-22 140
235	31	4.4	127.556	543	9322	646	9323	1171	31	2.84E-04	GFL07 - 3A □□□ 056C22 MDSKA□□ 056-22 140
274	27	3.7	147.347	627	9322	746	9323	1140	27	2.67E-04	GFL07 - 3A □□□ 056C22 MDSKA□□ 056-22 140
309	24	3.6	166.025	706	9322	841	9323	1248	24	2.67E-04	GFL07 - 3A □□□ 056C22 MDSKA□□ 056-22 140
342	22	3.2	183.285	780	9322	928	9323	1236	22	2.59E-04	GFL07 - 3A □□□ 056C22 MDSKA□□ 056-22 140
387	19	2.9	206.519	878	9322	1046	9323	1248	19	2.59E-04	GFL07 - 3A □□□ 056C22 MDSKA□□ 056-22 140
421	18	2.9	224.636	955	9322	1138	9323	1343	18	2.58E-04	GFL07 - 3A □□□ 056C22 MDSKA□□ 056-22 140
477	16	2.4	253.111	1076	9322	1282	9323	1258	16	2.58E-04	GFL07 - 3A □□□ 056C22 MDSKA□□ 056-22 140
548	14	2.3	290.706	1236	9322	1472	9323	1378	14	2.51E-04	GFL07 - 3A □□□ 056C22 MDSKA□□ 056-22 140
621	12	1.8	327.556	1393	9322	1659	9323	1258	12	2.51E-04	GFL07 - 3A □□□ 056C22 MDSKA□□ 056-22 140
668	11	1.9	352.811	1500	9322	1787	9323	1378	11	2.48E-04	GFL07 - 3A □□□ 056C22 MDSKA□□ 056-22 140
756	9.9	1.5	397.533	1691	9322	1887	9323	1258	9.9	2.48E-04	GFL07 - 3A □□□ 056C22 MDSKA□□ 056-22 140
819	9.2	1.4	430.222	1830	9322	1905	9323	1270	9.2	2.50E-04	GFL07 - 3A □□□ 056C22 MDSKA□□ 056-22 140
996	7.6	1.2	522.133	1905	9322	1905	9323	1270	7.6	2.48E-04	GFL07 - 3A □□□ 056C22 MDSKA□□ 056-22 140
244	62	3.2	65.306	786	9324	574	9324	883	62	9.09E-04	GFL07 - 3A □□□ 071C22 MDSKA□□ 071-22 140
272	56	2.8	72.452	872	9324	637	9324	869	56	9.19E-04	GFL07 - 3A □□□ 071C22 MDSKA□□ 071-22 140
306	50	2.8	81.636	983	9324	718	9324	979	50	9.18E-04	GFL07 - 3A □□□ 071C22 MDSKA□□ 071-22 140
348	44	2.5	92.413	1113	9324	813	9324	961	44	8.91E-04	GFL07 - 3A □□□ 071C22 MDSKA□□ 071-22 140
392	39	2.5	104.127	1254	9324	916	9324	1082	39	8.90E-04	GFL07 - 3A □□□ 071C22 MDSKA□□ 071-22 140
427	36	2.2	113.206	1363	9324	995	9324	1040	36	8.75E-04	GFL07 - 3A □□□ 071C22 MDSKA□□ 071-22 140
482	32	2.2	127.556	1536	9324	1122	9324	1171	32	8.74E-04	GFL07 - 3A □□□ 071C22 MDSKA□□ 071-22 140
558	27	1.8	147.347	1710	9324	1296	9324	1140	27	8.57E-04	GFL07 - 3A □□□ 071C22 MDSKA□□ 071-22 140
629	24	1.8	166.025	1872	9324	1460	9324	1248	24	8.57E-04	GFL07 - 3A □□□ 071C22 MDSKA□□ 071-22 140
696	22	1.6	183.285	1853	9324	1612	9324	1236	22	8.49E-04	GFL07 - 3A □□□ 071C22 MDSKA□□ 071-22 140
786	20	1.4	206.519	1872	9324	1816	9324	1248	20	8.49E-04	GFL07 - 3A □□□ 071C22 MDSKA□□ 071-22 140
855	18	1.4	224.636	2015	9324	1975	9324	1343	18	8.48E-04	GFL07 - 3A □□□ 071C22 MDSKA□□ 071-22 140

Observe the notes for thermal dimensioning.

Selection tables - Shaft-mounted helical gearboxes

Naturally ventilated asynchronous geared servo motors

M ₂ [Nm]	n ₂ trans [rpm]	c	i	M ₂ max short-time on geared motor at				M ₂ Gr gearbox c=1 n ₁ ≤ 1400 rpm [Nm]	n ₂ therm [rpm]	J _G M referred to motor shaft [kgm ²]	Servo shaft-mounted helical geared motor Dimensions on Page 4-82
				8 kHz		16 kHz					
				M ₂ max [Nm]	Type EVS	M ₂ max [Nm]	Type EVS				
966	16	1.2	253.111	1887	9324	1887	9324	1258	16	8.48E-04	GFL07 - 3A □□□ 071C22 MDSKA□□ 071-22 140
413	31	2.1	65.306	942	9323	1323	9324	883	31	2.00E-03	GFL07 - 3A □□□ 080C22 MDSKA□□ 080-22 70
460	28	1.9	72.452	1046	9323	1303	9324	869	28	2.01E-03	GFL07 - 3A □□□ 080C22 MDSKA□□ 080-22 70
518	25	1.9	81.636	1178	9323	1468	9324	979	25	2.01E-03	GFL07 - 3A □□□ 080C22 MDSKA□□ 080-22 70
588	22	1.6	92.413	1334	9323	1441	9324	961	22	1.98E-03	GFL07 - 3A □□□ 080C22 MDSKA□□ 080-22 70
662	19	1.6	104.127	1503	9323	1624	9324	1082	19	1.98E-03	GFL07 - 3A □□□ 080C22 MDSKA□□ 080-22 70
722	18	1.4	113.206	1559	9323	1559	9324	1040	18	1.96E-03	GFL07 - 3A □□□ 080C22 MDSKA□□ 080-22 70
813	16	1.4	127.556	1757	9323	1757	9324	1171	16	1.96E-03	GFL07 - 3A □□□ 080C22 MDSKA□□ 080-22 70
332	63	2.4	65.306	824	9324	1192	9325	883	55	2.00E-03	GFL07 - 3A □□□ 080C22 MDSKA□□ 080-22 140
370	57	2.1	72.452	914	9324	1303	9325	869	50	2.01E-03	GFL07 - 3A □□□ 080C22 MDSKA□□ 080-22 140
416	50	2.1	81.636	1030	9324	1468	9325	979	44	2.01E-03	GFL07 - 3A □□□ 080C22 MDSKA□□ 080-22 140
473	44	1.8	92.413	1166	9324	1441	9325	961	39	1.98E-03	GFL07 - 3A □□□ 080C22 MDSKA□□ 080-22 140
533	39	1.8	104.127	1314	9324	1624	9325	1082	34	1.98E-03	GFL07 - 3A □□□ 080C22 MDSKA□□ 080-22 140
581	36	1.6	113.206	1428	9324	1559	9325	1040	32	1.96E-03	GFL07 - 3A □□□ 080C22 MDSKA□□ 080-22 140
654	32	1.6	127.556	1609	9324	1757	9325	1171	28	1.96E-03	GFL07 - 3A □□□ 080C22 MDSKA□□ 080-22 140
318	39	5.5	51.333	752	9323	1056	9324	1825	39	2.18E-03	GFL09 - 2A □□□ 080C22 MDSKA□□ 080-22 70
359	35	5.5	57.852	848	9323	1190	9324	2057	35	2.17E-03	GFL09 - 2A □□□ 080C22 MDSKA□□ 080-22 70
390	32	4.6	62.300	913	9323	1281	9324	1854	32	2.11E-03	GFL09 - 2A □□□ 080C22 MDSKA□□ 080-22 70
440	28	4.6	70.211	1029	9323	1444	9324	2090	28	2.10E-03	GFL09 - 2A □□□ 080C22 MDSKA□□ 080-22 70
500	25	3.2	78.750	1154	9323	1620	9324	1631	25	2.05E-03	GFL09 - 2A □□□ 080C22 MDSKA□□ 080-22 70
565	23	3.1	88.750	1300	9323	1826	9324	1781	23	2.04E-03	GFL09 - 2A □□□ 080C22 MDSKA□□ 080-22 70
256	80	5.5	51.333	657	9324	951	9325	1825	70	2.18E-03	GFL09 - 2A □□□ 080C22 MDSKA□□ 080-22 140
289	71	5.5	57.852	741	9324	1072	9325	2057	62	2.17E-03	GFL09 - 2A □□□ 080C22 MDSKA□□ 080-22 140
314	66	4.6	62.300	798	9324	1155	9325	1854	58	2.11E-03	GFL09 - 2A □□□ 080C22 MDSKA□□ 080-22 140
352	58	5.1	70.211	899	9324	1301	9325	2090	51	2.10E-03	GFL09 - 2A □□□ 080C22 MDSKA□□ 080-22 140
402	52	3.6	78.750	1009	9324	1459	9325	1631	46	2.05E-03	GFL09 - 2A □□□ 080C22 MDSKA□□ 080-22 140
453	46	3.5	88.750	1137	9324	1645	9325	1781	40	2.04E-03	GFL09 - 2A □□□ 080C22 MDSKA□□ 080-22 140
326	70	5.7	32.667	773	9324	1093	9325	1990	70	4.14E-03	GFL09 - 2A □□□ 090C22 MDSKA□□ 090-22 80
367	62	5.7	36.815	872	9324	1232	9325	2242	62	4.12E-03	GFL09 - 2A □□□ 090C22 MDSKA□□ 090-22 80
399	58	4.9	39.667	939	9324	1328	9325	2061	58	4.01E-03	GFL09 - 2A □□□ 090C22 MDSKA□□ 090-22 80
450	51	4.9	44.704	1058	9324	1496	9325	2323	51	3.99E-03	GFL09 - 2A □□□ 090C22 MDSKA□□ 090-22 80
522	45	3.9	51.333	1215	9324	1718	9325	2136	45	3.86E-03	GFL09 - 2A □□□ 090C22 MDSKA□□ 090-22 80
588	40	3.9	57.852	1370	9324	1937	9325	2407	40	3.85E-03	GFL09 - 2A □□□ 090C22 MDSKA□□ 090-22 80
637	37	3.3	62.300	1475	9324	2085	9325	2170	37	3.79E-03	GFL09 - 2A □□□ 090C22 MDSKA□□ 090-22 80

Observe the notes for thermal dimensioning.

Selection tables - Shaft-mounted helical gearboxes

Naturally ventilated asynchronous geared servo motors



M ₂ [Nm]	n _{2 trans} [rpm]	c	i	M _{2 max} short-time on geared motor at				M _{2 Gr} gearbox c=1 n ₁ ≤ 1400 rpm [Nm]	n _{2 therm} [rpm]	J _{GM} referred to motor shaft [kgm ²]	Servo shaft-mounted helical geared motor Dimensions on Page 4-82
				8 kHz		16 kHz					
				M _{2 max} [Nm]	Type EVS	M _{2 max} [Nm]	Type EVS				
718	33	3.3	70.211	1662	9324	2350	9325	2445	33	3.78E-03	GFL09 - 2A □□□ 090C22 MDSKA□□ 090-22 80
288	126	5.4	32.667	742	9325	887	9326	1990	95	4.14E-03	GFL09 - 2A □□□ 090C22 MDSKA□□ 090-22 140
324	112	5.4	36.815	836	9325	1000	9326	2242	85	4.12E-03	GFL09 - 2A □□□ 090C22 MDSKA□□ 090-22 140
352	104	4.6	39.667	901	9325	1078	9326	2061	78	4.01E-03	GFL09 - 2A □□□ 090C22 MDSKA□□ 090-22 140
397	92	4.6	44.704	1015	9325	1214	9326	2323	70	3.99E-03	GFL09 - 2A □□□ 090C22 MDSKA□□ 090-22 140
460	80	3.7	51.333	1165	9325	1395	9326	2136	61	3.86E-03	GFL09 - 2A □□□ 090C22 MDSKA□□ 090-22 140
519	71	3.7	57.852	1313	9325	1572	9326	2407	54	3.85E-03	GFL09 - 2A □□□ 090C22 MDSKA□□ 090-22 140
562	66	3.1	62.300	1414	9325	1693	9326	2170	50	3.79E-03	GFL09 - 2A □□□ 090C22 MDSKA□□ 090-22 140
631	59	3.4	70.211	1594	9325	1907	9326	2445	44	3.78E-03	GFL09 - 2A □□□ 090C22 MDSKA□□ 090-22 140
492	72	5.7	32.667	1496	9325	1071	9325	2990	72	7.74E-03	GFL09 - 2A □□□ 100C22 MDSKA□□ 100-22 80
558	64	5.1	36.815	1686	9325	1207	9325	3018	64	7.72E-03	GFL09 - 2A □□□ 100C22 MDSKA□□ 100-22 80
602	59	4.9	39.667	1817	9325	1301	9325	3107	59	7.61E-03	GFL09 - 2A □□□ 100C22 MDSKA□□ 100-22 80
684	52	4.2	44.704	2047	9325	1466	9325	3027	52	7.59E-03	GFL09 - 2A □□□ 100C22 MDSKA□□ 100-22 80
408	113	5.7	36.815	1547	9326	922	9326	3018	67	7.72E-03	GFL09 - 2A □□□ 100C22 MDSKA□□ 100-22 140
441	105	5.4	39.667	1666	9326	993	9326	3107	62	7.61E-03	GFL09 - 2A □□□ 100C22 MDSKA□□ 100-22 140
501	93	4.7	44.704	1878	9326	1119	9326	3027	55	7.59E-03	GFL09 - 2A □□□ 100C22 MDSKA□□ 100-22 140
325	174	5.9	14.333	1085	9326	776	9326	2374	140	2.00E-02	GFL09 - 2A □□□ 112C22 MDSKA□□ 112-22 85
372	152	5.3	16.333	1236	9326	884	9326	2461	123	1.96E-02	GFL09 - 2A □□□ 112C22 MDSKA□□ 112-22 85
422	135	4.8	18.407	1393	9326	997	9326	2480	109	1.95E-02	GFL09 - 2A □□□ 112C22 MDSKA□□ 112-22 85
452	127	4.6	19.667	1488	9326	1065	9326	2563	102	1.92E-02	GFL09 - 2A □□□ 112C22 MDSKA□□ 112-22 85
512	112	4.2	22.164	1677	9326	1200	9326	2612	91	1.91E-02	GFL09 - 2A □□□ 112C22 MDSKA□□ 112-22 85
554	103	4.5	24.111	1825	9326	1305	9326	2722	84	1.89E-02	GFL09 - 2A □□□ 112C22 MDSKA□□ 112-22 85
628	92	4.1	27.173	2056	9326	1471	9326	2767	74	1.89E-02	GFL09 - 2A □□□ 112C22 MDSKA□□ 112-22 85
289	226	5.8	18.407	784	9326	670	9327	2480	109	1.95E-02	GFL09 - 2A □□□ 112C22 MDSKA□□ 112-22 140
309	212	5.6	19.667	838	9326	716	9327	2563	102	1.92E-02	GFL09 - 2A □□□ 112C22 MDSKA□□ 112-22 140
350	188	5.1	22.164	944	9326	806	9327	2612	91	1.91E-02	GFL09 - 2A □□□ 112C22 MDSKA□□ 112-22 140
379	173	5.5	24.111	1027	9326	877	9327	2722	84	1.89E-02	GFL09 - 2A □□□ 112C22 MDSKA□□ 112-22 140
430	153	5.0	27.173	1157	9326	989	9327	2767	74	1.89E-02	GFL09 - 2A □□□ 112C22 MDSKA□□ 112-22 140
336	21	5.8	185.111	787	9322	938	9323	2232	21	2.95E-04	GFL09 - 3A □□□ 056C22 MDSKA□□ 056-22 140
379	19	5.8	208.617	887	9322	1057	9323	2515	19	2.94E-04	GFL09 - 3A □□□ 056C22 MDSKA□□ 056-22 140
411	18	5.1	224.778	956	9322	1139	9323	2407	18	2.91E-04	GFL09 - 3A □□□ 056C22 MDSKA□□ 056-22 140
463	16	5.1	253.321	1077	9322	1283	9323	2712	16	2.90E-04	GFL09 - 3A □□□ 056C22 MDSKA□□ 056-22 140
537	14	4.3	290.889	1237	9322	1473	9323	2640	14	2.71E-04	GFL09 - 3A □□□ 056C22 MDSKA□□ 056-22 140
605	12	4.3	327.827	1394	9322	1661	9323	2976	12	2.71E-04	GFL09 - 3A □□□ 056C22 MDSKA□□ 056-22 140

Observe the notes for thermal dimensioning.

Selection tables - Shaft-mounted helical gearboxes

Naturally ventilated asynchronous geared servo motors

M ₂ [Nm]	n ₂ trans [rpm]	c	i	M ₂ max short-time on geared motor at				M ₂ Gr gearbox c=1 n ₁ ≤ 1400 rpm [Nm]	n ₂ therm [rpm]	J _{GM} referred to motor shaft [kgm ²]	Servo shaft-mounted helical geared motor Dimensions on Page 4-82
				8 kHz		16 kHz					
				M ₂ max [Nm]	Type EVS	M ₂ max [Nm]	Type EVS				
655	11	3.8	353.033	1501	9322	1788	9323	2813	11	2.63E-04	GFL09 - 3A □□□ 056C22 MDSKA□□ 056-22 140
738	9.9	3.8	397.863	1692	9322	2015	9323	3170	9.9	2.62E-04	GFL09 - 3A □□□ 056C22 MDSKA□□ 056-22 140
793	9.3	3.1	424.247	1804	9322	2149	9323	2724	9.3	2.69E-04	GFL09 - 3A □□□ 056C22 MDSKA□□ 056-22 140
968	7.7	2.5	514.881	2190	9322	2608	9323	2724	7.7	2.61E-04	GFL09 - 3A □□□ 056C22 MDSKA□□ 056-22 140
1051	7.1	1.8	554.470	2358	9322	2808	9323	2113	7.1	2.60E-04	GFL09 - 3A □□□ 056C22 MDSKA□□ 056-22 140
1185	6.3	1.7	624.879	2657	9322	3165	9323	2273	6.3	2.60E-04	GFL09 - 3A □□□ 056C22 MDSKA□□ 056-22 140
1333	5.6	1.4	700.875	2981	9322	3169	9323	2113	5.6	2.53E-04	GFL09 - 3A □□□ 056C22 MDSKA□□ 056-22 140
1504	5.0	1.4	789.875	3359	9322	3410	9323	2273	5.0	2.53E-04	GFL09 - 3A □□□ 056C22 MDSKA□□ 056-22 140
232	64	5.1	63.326	763	9324	557	9324	1510	64	1.06E-03	GFL09 - 3A □□□ 071C22 MDSKA□□ 071-22 140
268	55	4.9	73.173	881	9324	643	9324	1517	55	1.08E-03	GFL09 - 3A □□□ 071C22 MDSKA□□ 071-22 140
302	49	4.9	82.465	993	9324	725	9324	1710	49	1.07E-03	GFL09 - 3A □□□ 071C22 MDSKA□□ 071-22 140
344	43	4.3	93.333	1124	9324	821	9324	1692	43	9.98E-04	GFL09 - 3A □□□ 071C22 MDSKA□□ 071-22 140
388	39	4.3	105.185	1267	9324	925	9324	1907	39	9.95E-04	GFL09 - 3A □□□ 071C22 MDSKA□□ 071-22 140
424	35	3.8	114.333	1377	9324	1005	9324	1847	35	9.53E-04	GFL09 - 3A □□□ 071C22 MDSKA□□ 071-22 140
478	31	3.8	128.852	1552	9324	1133	9324	2082	31	9.51E-04	GFL09 - 3A □□□ 071C22 MDSKA□□ 071-22 140
555	27	3.3	148.815	1792	9324	1308	9324	2053	27	9.07E-04	GFL09 - 3A □□□ 071C22 MDSKA□□ 071-22 140
626	24	3.3	167.712	2020	9324	1475	9324	2314	24	9.06E-04	GFL09 - 3A □□□ 071C22 MDSKA□□ 071-22 140
694	22	2.9	185.111	2229	9324	1628	9324	2232	22	8.85E-04	GFL09 - 3A □□□ 071C22 MDSKA□□ 071-22 140
782	19	2.9	208.617	2512	9324	1834	9324	2515	19	8.84E-04	GFL09 - 3A □□□ 071C22 MDSKA□□ 071-22 140
845	18	2.5	224.778	2707	9324	1976	9324	2407	18	8.81E-04	GFL09 - 3A □□□ 071C22 MDSKA□□ 071-22 140
953	16	2.5	253.321	3050	9324	2227	9324	2712	16	8.80E-04	GFL09 - 3A □□□ 071C22 MDSKA□□ 071-22 140
1099	14	2.1	290.889	3503	9324	2558	9324	2640	14	8.61E-04	GFL09 - 3A □□□ 071C22 MDSKA□□ 071-22 140
1238	12	2.1	327.827	3948	9324	2882	9324	2976	12	8.61E-04	GFL09 - 3A □□□ 071C22 MDSKA□□ 071-22 140
1337	11	1.9	353.033	4220	9324	3104	9324	2813	11	8.53E-04	GFL09 - 3A □□□ 071C22 MDSKA□□ 071-22 140
1507	10	1.9	397.863	4756	9324	3498	9324	3170	10	8.52E-04	GFL09 - 3A □□□ 071C22 MDSKA□□ 071-22 140
1613	9.6	1.5	424.247	4086	9324	3730	9324	2724	9.6	8.59E-04	GFL09 - 3A □□□ 071C22 MDSKA□□ 071-22 140
1963	7.9	1.3	514.881	4086	9324	4086	9324	2724	7.9	8.51E-04	GFL09 - 3A □□□ 071C22 MDSKA□□ 071-22 140
394	32	3.7	63.326	914	9323	1283	9324	1510	32	2.15E-03	GFL09 - 3A □□□ 080C22 MDSKA□□ 080-22 70
458	27	3.2	73.173	1056	9323	1483	9324	1517	27	2.17E-03	GFL09 - 3A □□□ 080C22 MDSKA□□ 080-22 70
516	24	3.2	82.465	1190	9323	1671	9324	1710	24	2.16E-03	GFL09 - 3A □□□ 080C22 MDSKA□□ 080-22 70
586	21	2.8	93.333	1347	9323	1891	9324	1692	21	2.09E-03	GFL09 - 3A □□□ 080C22 MDSKA□□ 080-22 70
661	19	2.8	105.185	1518	9323	2131	9324	1907	19	2.09E-03	GFL09 - 3A □□□ 080C22 MDSKA□□ 080-22 70
720	17	2.5	114.333	1650	9323	2316	9324	1847	17	2.04E-03	GFL09 - 3A □□□ 080C22 MDSKA□□ 080-22 70
812	16	2.5	128.852	1859	9323	2611	9324	2082	16	2.04E-03	GFL09 - 3A □□□ 080C22 MDSKA□□ 080-22 70

Observe the notes for thermal dimensioning.

Selection tables - Shaft-mounted helical gearboxes

Naturally ventilated asynchronous geared servo motors



M ₂ [Nm]	n _{2 trans} [rpm]	c	i	M _{2 max} short-time on geared motor at				M _{2 Gr} gearbox c=1 n ₁ ≤ 1400 rpm [Nm]	n _{2 therm} [rpm]	J _{GM} referred to motor shaft [kgm ²]	Servo shaft-mounted helical geared motor Dimensions on Page 4-82
				8 kHz		16 kHz					
				M _{2 max} [Nm]	Type EVS	M _{2 max} [Nm]	Type EVS				
941	13	2.2	148.815	2148	9323	3015	9324	2053	13	2.00E-03	GFLO9 - 3A □□□ 080C22 MDSKA□□ 080-22 70
1061	12	2.2	167.712	2420	9323	3398	9324	2314	12	2.00E-03	GFLO9 - 3A □□□ 080C22 MDSKA□□ 080-22 70
1174	11	1.9	185.111	2671	9323	3347	9324	2232	11	1.97E-03	GFLO9 - 3A □□□ 080C22 MDSKA□□ 080-22 70
1323	9.6	1.9	208.617	3011	9323	3772	9324	2515	9.6	1.97E-03	GFLO9 - 3A □□□ 080C22 MDSKA□□ 080-22 70
1429	8.9	1.7	224.778	3244	9323	3610	9324	2407	8.9	1.97E-03	GFLO9 - 3A □□□ 080C22 MDSKA□□ 080-22 70
1611	7.9	1.7	253.321	3656	9323	4068	9324	2712	7.9	1.97E-03	GFLO9 - 3A □□□ 080C22 MDSKA□□ 080-22 70
317	65	3.8	63.326	799	9324	1156	9325	1510	57	2.15E-03	GFLO9 - 3A □□□ 080C22 MDSKA□□ 080-22 140
367	56	3.6	73.173	923	9324	1336	9325	1517	49	2.17E-03	GFLO9 - 3A □□□ 080C22 MDSKA□□ 080-22 140
414	50	3.6	82.465	1040	9324	1505	9325	1710	44	2.16E-03	GFLO9 - 3A □□□ 080C22 MDSKA□□ 080-22 140
471	44	3.2	93.333	1177	9324	1704	9325	1692	38	2.09E-03	GFLO9 - 3A □□□ 080C22 MDSKA□□ 080-22 140
531	39	3.2	105.185	1327	9324	1920	9325	1907	34	2.09E-03	GFLO9 - 3A □□□ 080C22 MDSKA□□ 080-22 140
579	36	2.8	114.333	1442	9324	2087	9325	1847	31	2.04E-03	GFLO9 - 3A □□□ 080C22 MDSKA□□ 080-22 140
652	32	2.8	128.852	1625	9324	2352	9325	2082	28	2.04E-03	GFLO9 - 3A □□□ 080C22 MDSKA□□ 080-22 140
757	28	2.4	148.815	1877	9324	2716	9325	2053	24	2.00E-03	GFLO9 - 3A □□□ 080C22 MDSKA□□ 080-22 140
853	24	2.4	167.712	2116	9324	3061	9325	2314	21	2.00E-03	GFLO9 - 3A □□□ 080C22 MDSKA□□ 080-22 140
944	22	2.1	185.111	2335	9324	3347	9325	2232	19	1.97E-03	GFLO9 - 3A □□□ 080C22 MDSKA□□ 080-22 140
1064	20	2.1	208.617	2632	9324	3772	9325	2515	17	1.97E-03	GFLO9 - 3A □□□ 080C22 MDSKA□□ 080-22 140
1149	18	1.9	224.778	2836	9324	3610	9325	2407	16	1.97E-03	GFLO9 - 3A □□□ 080C22 MDSKA□□ 080-22 140
1295	16	1.9	253.321	3196	9324	4068	9325	2712	14	1.97E-03	GFLO9 - 3A □□□ 080C22 MDSKA□□ 080-22 140
645	36	2.3	63.326	1477	9324	2088	9325	1510	36	3.83E-03	GFLO9 - 3A □□□ 090C22 MDSKA□□ 090-22 80
747	31	2.0	73.173	1706	9324	2276	9325	1517	31	3.85E-03	GFLO9 - 3A □□□ 090C22 MDSKA□□ 090-22 80
842	28	2.0	82.465	1923	9324	2565	9325	1710	28	3.84E-03	GFLO9 - 3A □□□ 090C22 MDSKA□□ 090-22 80
956	25	1.8	93.333	2176	9324	2538	9325	1692	25	3.77E-03	GFLO9 - 3A □□□ 090C22 MDSKA□□ 090-22 80
1077	22	1.8	105.185	2453	9324	2861	9325	1907	22	3.77E-03	GFLO9 - 3A □□□ 090C22 MDSKA□□ 090-22 80
1173	20	1.6	114.333	2666	9324	2771	9325	1847	20	3.72E-03	GFLO9 - 3A □□□ 090C22 MDSKA□□ 090-22 80
1322	18	1.6	128.852	3005	9324	3122	9325	2082	18	3.72E-03	GFLO9 - 3A □□□ 090C22 MDSKA□□ 090-22 80
568	65	2.1	63.326	1416	9325	1695	9326	1510	49	3.83E-03	GFLO9 - 3A □□□ 090C22 MDSKA□□ 090-22 140
657	56	2.1	73.173	1636	9325	1958	9326	1517	43	3.85E-03	GFLO9 - 3A □□□ 090C22 MDSKA□□ 090-22 140
740	50	2.1	82.465	1844	9325	2207	9326	1710	38	3.84E-03	GFLO9 - 3A □□□ 090C22 MDSKA□□ 090-22 140
840	44	1.8	93.333	2087	9325	2498	9326	1692	33	3.77E-03	GFLO9 - 3A □□□ 090C22 MDSKA□□ 090-22 140
947	39	1.8	105.185	2352	9325	2815	9326	1907	30	3.77E-03	GFLO9 - 3A □□□ 090C22 MDSKA□□ 090-22 140
1031	36	1.6	114.333	2557	9325	2771	9326	1847	27	3.72E-03	GFLO9 - 3A □□□ 090C22 MDSKA□□ 090-22 140
1162	32	1.6	128.852	2882	9325	3122	9326	2082	24	3.72E-03	GFLO9 - 3A □□□ 090C22 MDSKA□□ 090-22 140
391	32	5.7	63.190	926	9323	1300	9324	2344	32	2.51E-03	GFLL11 - 2A □□□ 080C22 MDSKA□□ 080-22 70

Observe the notes for thermal dimensioning.

Selection tables - Shaft-mounted helical gearboxes

Naturally ventilated asynchronous geared servo motors

M ₂ [Nm]	n ₂ trans [rpm]	c	i	M ₂ max short-time on geared motor at				M ₂ Gr gearbox c=1 n ₁ ≤ 1400 rpm [Nm]	n ₂ therm [rpm]	J _{GM} referred to motor shaft [kgm ²]	Servo shaft-mounted helical geared motor Dimensions on Page 4-82
				8 kHz		16 kHz					
				M ₂ max [Nm]	Type EVS	M ₂ max [Nm]	Type EVS				
440	28	5.7	71.200	1043	9323	1465	9324	2641	28	2.49E-03	GFL11 - 2A □□□ 080C22 MDSKA□□ 080-22 70
500	25	4.6	79.875	1170	9323	1643	9324	2381	25	2.31E-03	GFL11 - 2A □□□ 080C22 MDSKA□□ 080-22 70
563	22	4.6	90.000	1319	9323	1851	9324	2683	22	2.30E-03	GFL11 - 2A □□□ 080C22 MDSKA□□ 080-22 70
315	65	5.8	63.190	809	9324	1171	9325	2344	57	2.51E-03	GFL11 - 2A □□□ 080C22 MDSKA□□ 080-22 140
401	51	5.1	79.875	1023	9324	1480	9325	2381	45	2.31E-03	GFL11 - 2A □□□ 080C22 MDSKA□□ 080-22 140
451	46	5.1	90.000	1153	9324	1668	9325	2683	40	2.30E-03	GFL11 - 2A □□□ 080C22 MDSKA□□ 080-22 140
524	44	4.9	52.067	1233	9324	1743	9325	2701	44	4.41E-03	GFL11 - 2A □□□ 090C22 MDSKA□□ 090-22 80
590	39	4.9	58.667	1389	9324	1964	9325	3044	39	4.38E-03	GFL11 - 2A □□□ 090C22 MDSKA□□ 090-22 80
641	36	4.1	63.190	1496	9324	2115	9325	2745	36	4.19E-03	GFL11 - 2A □□□ 090C22 MDSKA□□ 090-22 80
722	32	4.1	71.200	1686	9324	2383	9325	3093	32	4.17E-03	GFL11 - 2A □□□ 090C22 MDSKA□□ 090-22 80
817	29	3.3	79.875	1891	9324	2674	9325	2789	29	3.99E-03	GFL11 - 2A □□□ 090C22 MDSKA□□ 090-22 80
920	26	3.3	90.000	2131	9324	3013	9325	3143	26	3.98E-03	GFL11 - 2A □□□ 090C22 MDSKA□□ 090-22 80
353	102	5.7	40.233	913	9325	1093	9326	2607	77	4.86E-03	GFL11 - 2A □□□ 090C22 MDSKA□□ 090-22 140
398	91	5.7	45.333	1029	9325	1232	9326	2938	69	4.82E-03	GFL11 - 2A □□□ 090C22 MDSKA□□ 090-22 140
462	79	4.6	52.067	1182	9325	1415	9326	2701	60	4.41E-03	GFL11 - 2A □□□ 090C22 MDSKA□□ 090-22 140
521	70	4.6	58.667	1332	9325	1594	9326	3044	53	4.38E-03	GFL11 - 2A □□□ 090C22 MDSKA□□ 090-22 140
565	65	3.8	63.190	1435	9325	1717	9326	2745	49	4.19E-03	GFL11 - 2A □□□ 090C22 MDSKA□□ 090-22 140
634	58	4.2	71.200	1617	9325	1934	9326	3093	44	4.17E-03	GFL11 - 2A □□□ 090C22 MDSKA□□ 090-22 140
718	51	3.4	79.875	1813	9325	2170	9326	2789	39	3.99E-03	GFL11 - 2A □□□ 090C22 MDSKA□□ 090-22 140
809	46	3.4	90.000	2043	9325	2445	9326	3143	35	3.98E-03	GFL11 - 2A □□□ 090C22 MDSKA□□ 090-22 140
884	40	5.5	58.667	2687	9325	1924	9325	5254	40	7.98E-03	GFL11 - 2A □□□ 100C22 MDSKA□□ 100-22 80
954	37	5.4	63.190	2894	9325	2072	9325	5557	37	7.79E-03	GFL11 - 2A □□□ 100C22 MDSKA□□ 100-22 80
1080	33	4.9	71.200	3261	9325	2335	9325	5561	33	7.77E-03	GFL11 - 2A □□□ 100C22 MDSKA□□ 100-22 80
744	76	5.7	32.739	2478	9326	1772	9326	4603	62	1.97E-02	GFL11 - 2A □□□ 112C22 MDSKA□□ 112-22 85
844	68	5.0	36.889	2792	9326	1997	9326	4601	55	1.97E-02	GFL11 - 2A □□□ 112C22 MDSKA□□ 112-22 85
922	62	4.9	40.233	3045	9326	2178	9326	4882	50	1.93E-02	GFL11 - 2A □□□ 112C22 MDSKA□□ 112-22 85
1045	55	4.3	45.333	3431	9326	2454	9326	4881	44	1.92E-02	GFL11 - 2A □□□ 112C22 MDSKA□□ 112-22 85
630	103	5.9	40.233	1714	9326	1464	9327	4882	50	1.93E-02	GFL11 - 2A □□□ 112C22 MDSKA□□ 112-22 140
715	92	5.3	45.333	1931	9326	1649	9327	4881	44	1.92E-02	GFL11 - 2A □□□ 112C22 MDSKA□□ 112-22 140
649	11	5.9	358.077	1523	9322	1814	9323	4423	11	3.08E-04	GFL11 - 3A □□□ 056C22 MDSKA□□ 056-22 140
732	9.8	5.9	403.467	1716	9322	2044	9323	4984	9.8	3.07E-04	GFL11 - 3A □□□ 056C22 MDSKA□□ 056-22 140
952	7.6	5.4	522.133	2221	9322	2645	9323	5942	7.6	3.02E-04	GFL11 - 3A □□□ 056C22 MDSKA□□ 056-22 140
1035	7.0	4.5	562.391	2392	9322	2849	9323	5319	7.0	3.00E-04	GFL11 - 3A □□□ 056C22 MDSKA□□ 056-22 140
1168	6.2	4.4	633.680	2695	9322	3210	9323	5844	6.2	3.00E-04	GFL11 - 3A □□□ 056C22 MDSKA□□ 056-22 140

Observe the notes for thermal dimensioning.

Selection tables - Shaft-mounted helical gearboxes

Naturally ventilated asynchronous geared servo motors



M ₂ [Nm]	n _{2 trans} [rpm]	c	i	M _{2 max} short-time on geared motor at				M _{2 Gr} gearbox c=1 n ₁ ≤ 1400 rpm [Nm]	n _{2 therm} [rpm]	J _{GM} referred to motor shaft [kgm ²]	Servo shaft-mounted helical geared motor Dimensions on Page 4-82
				8 kHz		16 kHz					
				M _{2 max} [Nm]	Type EVS	M _{2 max} [Nm]	Type EVS				
1322	5.6	3.6	710.888	3023	9322	3601	9323	5319	5.6	2.79E-04	GFL11 - 3A □□□ 056C22 MDSKA□□ 056-22 140
1491	4.9	3.5	801.000	3406	9322	4057	9323	5844	4.9	2.78E-04	GFL11 - 3A □□□ 056C22 MDSKA□□ 056-22 140
666	22	5.5	182.792	2201	9324	1607	9324	4233	22	9.96E-04	GFL11 - 3A □□□ 071C22 MDSKA□□ 071-22 140
750	20	5.5	205.963	2480	9324	1811	9324	4769	20	9.94E-04	GFL11 - 3A □□□ 071C22 MDSKA□□ 071-22 140
825	18	4.8	224.636	2705	9324	1975	9324	4523	18	9.82E-04	GFL11 - 3A □□□ 071C22 MDSKA□□ 071-22 140
929	16	4.8	253.111	3048	9324	2225	9324	5097	16	9.80E-04	GFL11 - 3A □□□ 071C22 MDSKA□□ 071-22 140
984	15	4.5	267.259	3218	9324	2350	9324	5106	15	1.02E-03	GFL11 - 3A □□□ 071C22 MDSKA□□ 071-22 140
1213	12	4.0	327.556	3944	9324	2880	9324	5523	12	9.67E-04	GFL11 - 3A □□□ 071C22 MDSKA□□ 071-22 140
1333	11	3.5	358.077	4312	9324	3148	9324	5283	11	8.98E-04	GFL11 - 3A □□□ 071C22 MDSKA□□ 071-22 140
1502	10	3.5	403.467	4858	9324	3547	9324	5952	10	8.97E-04	GFL11 - 3A □□□ 071C22 MDSKA□□ 071-22 140
1606	9.4	3.3	430.222	5181	9324	3783	9324	5942	9.4	9.15E-04	GFL11 - 3A □□□ 071C22 MDSKA□□ 071-22 140
1961	7.8	2.7	522.133	6287	9324	4591	9324	5942	7.8	8.92E-04	GFL11 - 3A □□□ 071C22 MDSKA□□ 071-22 140
2122	7.2	2.2	562.391	6772	9324	4945	9324	5319	7.2	8.90E-04	GFL11 - 3A □□□ 071C22 MDSKA□□ 071-22 140
2392	6.4	2.2	633.680	7630	9324	5571	9324	5844	6.4	8.90E-04	GFL11 - 3A □□□ 071C22 MDSKA□□ 071-22 140
2696	5.7	1.8	710.888	7979	9324	6250	9324	5319	5.7	8.69E-04	GFL11 - 3A □□□ 071C22 MDSKA□□ 071-22 140
3039	5.1	1.7	801.000	8766	9324	7043	9324	5844	5.1	8.68E-04	GFL11 - 3A □□□ 071C22 MDSKA□□ 071-22 140
572	21	5.4	93.540	1350	9323	1895	9324	3206	21	2.42E-03	GFL11 - 3A □□□ 080C22 MDSKA□□ 080-22 70
644	19	5.4	105.397	1521	9323	2135	9324	3613	19	2.42E-03	GFL11 - 3A □□□ 080C22 MDSKA□□ 080-22 70
705	17	4.8	114.586	1654	9323	2322	9324	3501	17	2.29E-03	GFL11 - 3A □□□ 080C22 MDSKA□□ 080-22 70
794	15	4.8	129.111	1863	9323	2616	9324	3945	15	2.29E-03	GFL11 - 3A □□□ 080C22 MDSKA□□ 080-22 70
924	13	4.1	149.144	2152	9323	3022	9324	3894	13	2.15E-03	GFL11 - 3A □□□ 080C22 MDSKA□□ 080-22 70
1041	12	4.1	168.049	2425	9323	3405	9324	4387	12	2.15E-03	GFL11 - 3A □□□ 080C22 MDSKA□□ 080-22 70
1138	11	3.6	182.792	2638	9323	3703	9324	4233	11	2.09E-03	GFL11 - 3A □□□ 080C22 MDSKA□□ 080-22 70
1283	9.7	3.6	205.963	2972	9323	4173	9324	4769	9.7	2.08E-03	GFL11 - 3A □□□ 080C22 MDSKA□□ 080-22 70
1406	8.9	3.1	224.636	3242	9323	4551	9324	4523	8.9	2.07E-03	GFL11 - 3A □□□ 080C22 MDSKA□□ 080-22 70
1584	7.9	3.1	253.111	3653	9323	5128	9324	5097	7.9	2.07E-03	GFL11 - 3A □□□ 080C22 MDSKA□□ 080-22 70
1676	7.5	3.0	267.259	3857	9323	5415	9324	5106	7.5	2.11E-03	GFL11 - 3A □□□ 080C22 MDSKA□□ 080-22 70
2061	6.1	2.6	327.556	4727	9323	6636	9324	5523	6.1	2.06E-03	GFL11 - 3A □□□ 080C22 MDSKA□□ 080-22 70
2261	5.6	2.3	358.077	5167	9323	7255	9324	5283	5.6	1.99E-03	GFL11 - 3A □□□ 080C22 MDSKA□□ 080-22 70
2548	5.0	2.3	403.467	5822	9323	8174	9324	5952	5.0	1.99E-03	GFL11 - 3A □□□ 080C22 MDSKA□□ 080-22 70
2721	4.7	2.2	430.222	6208	9323	8716	9324	5942	4.7	2.01E-03	GFL11 - 3A □□□ 080C22 MDSKA□□ 080-22 70
3316	3.8	1.8	522.133	7535	9323	8913	9324	5942	3.8	1.98E-03	GFL11 - 3A □□□ 080C22 MDSKA□□ 080-22 70
3583	3.6	1.5	562.391	7979	9323	7979	9324	5319	3.6	1.98E-03	GFL11 - 3A □□□ 080C22 MDSKA□□ 080-22 70
4039	3.2	1.4	633.680	8766	9323	8766	9324	5844	3.2	1.98E-03	GFL11 - 3A □□□ 080C22 MDSKA□□ 080-22 70

Observe the notes for thermal dimensioning.

Selection tables - Shaft-mounted helical gearboxes

Naturally ventilated asynchronous geared servo motors

M ₂ [Nm]	n _{2 trans} [rpm]	c	i	M _{2 max} short-time on geared motor at				M _{2 Gr} gearbox c=1 n ₁ ≤ 1400 rpm [Nm]	n _{2 therm} [rpm]	J _{GM} referred to motor shaft [kgm ²]	Servo shaft-mounted helical geared motor Dimensions on Page 4-82
				8 kHz		16 kHz					
				M _{2 max} [Nm]	Type EVS	M _{2 max} [Nm]	Type EVS				
458	44	6.0	93.540	1180	9324	1707	9325	3206	38	2.42E-03	GFL11 - 3A □□□ 080C22 MDSKA□□ 080-22 140
516	39	6.0	105.397	1330	9324	1924	9325	3613	34	2.42E-03	GFL11 - 3A □□□ 080C22 MDSKA□□ 080-22 140
565	36	5.3	114.586	1446	9324	2092	9325	3501	31	2.29E-03	GFL11 - 3A □□□ 080C22 MDSKA□□ 080-22 140
636	32	5.3	129.111	1629	9324	2357	9325	3945	28	2.29E-03	GFL11 - 3A □□□ 080C22 MDSKA□□ 080-22 140
741	27	4.6	149.144	1881	9324	2722	9325	3894	24	2.15E-03	GFL11 - 3A □□□ 080C22 MDSKA□□ 080-22 140
835	24	4.6	168.049	2120	9324	3068	9325	4387	21	2.15E-03	GFL11 - 3A □□□ 080C22 MDSKA□□ 080-22 140
913	22	4.0	182.792	2306	9324	3337	9325	4233	20	2.09E-03	GFL11 - 3A □□□ 080C22 MDSKA□□ 080-22 140
1029	20	4.0	205.963	2598	9324	3760	9325	4769	17	2.08E-03	GFL11 - 3A □□□ 080C22 MDSKA□□ 080-22 140
1129	18	3.5	224.636	2834	9324	4100	9325	4523	16	2.07E-03	GFL11 - 3A □□□ 080C22 MDSKA□□ 080-22 140
1272	16	3.5	253.111	3193	9324	4620	9325	5097	14	2.07E-03	GFL11 - 3A □□□ 080C22 MDSKA□□ 080-22 140
1346	15	3.3	267.259	3371	9324	4878	9325	5106	13	2.11E-03	GFL11 - 3A □□□ 080C22 MDSKA□□ 080-22 140
1656	13	2.9	327.556	4132	9324	5979	9325	5523	11	2.06E-03	GFL11 - 3A □□□ 080C22 MDSKA□□ 080-22 140
1817	11	2.6	358.077	4517	9324	6536	9325	5283	10	1.99E-03	GFL11 - 3A □□□ 080C22 MDSKA□□ 080-22 140
2048	10	2.6	403.467	5090	9324	7365	9325	5952	8.9	1.99E-03	GFL11 - 3A □□□ 080C22 MDSKA□□ 080-22 140
2187	9.5	2.4	430.222	5427	9324	7853	9325	5942	8.4	2.01E-03	GFL11 - 3A □□□ 080C22 MDSKA□□ 080-22 140
2667	7.9	2.0	522.133	6587	9324	8913	9325	5942	6.9	1.98E-03	GFL11 - 3A □□□ 080C22 MDSKA□□ 080-22 140
2883	7.3	1.7	562.391	7095	9324	7979	9325	5319	6.4	1.98E-03	GFL11 - 3A □□□ 080C22 MDSKA□□ 080-22 140
3249	6.5	1.6	633.680	7994	9324	8766	9325	5844	5.7	1.98E-03	GFL11 - 3A □□□ 080C22 MDSKA□□ 080-22 140
651	35	4.3	65.306	1523	9324	2153	9325	2891	35	4.30E-03	GFL11 - 3A □□□ 090C22 MDSKA□□ 090-22 80
735	31	3.8	73.335	1710	9324	2418	9325	2875	31	4.38E-03	GFL11 - 3A □□□ 090C22 MDSKA□□ 090-22 80
828	28	3.8	82.631	1927	9324	2724	9325	3240	28	4.37E-03	GFL11 - 3A □□□ 090C22 MDSKA□□ 090-22 80
942	25	3.3	93.540	2181	9324	3084	9325	3206	25	4.10E-03	GFL11 - 3A □□□ 090C22 MDSKA□□ 090-22 80
1061	22	3.3	105.397	2458	9324	3475	9325	3613	22	4.10E-03	GFL11 - 3A □□□ 090C22 MDSKA□□ 090-22 80
1158	20	3.0	114.586	2672	9324	3778	9325	3501	20	3.97E-03	GFL11 - 3A □□□ 090C22 MDSKA□□ 090-22 80
1305	18	3.0	129.111	3011	9324	4257	9325	3945	18	3.97E-03	GFL11 - 3A □□□ 090C22 MDSKA□□ 090-22 80
1515	15	2.5	149.144	3478	9324	4917	9325	3894	15	3.83E-03	GFL11 - 3A □□□ 090C22 MDSKA□□ 090-22 80
1707	14	2.5	168.049	3919	9324	5541	9325	4387	14	3.83E-03	GFL11 - 3A □□□ 090C22 MDSKA□□ 090-22 80
1862	13	2.2	182.792	4262	9324	6027	9325	4233	13	3.77E-03	GFL11 - 3A □□□ 090C22 MDSKA□□ 090-22 80
2098	11	2.2	205.963	4803	9324	6791	9325	4769	11	3.76E-03	GFL11 - 3A □□□ 090C22 MDSKA□□ 090-22 80
2295	10	2.0	224.636	5238	9324	6785	9325	4523	10	3.75E-03	GFL11 - 3A □□□ 090C22 MDSKA□□ 090-22 80
2586	9.1	2.0	253.111	5902	9324	7645	9325	5097	9.1	3.75E-03	GFL11 - 3A □□□ 090C22 MDSKA□□ 090-22 80
2734	8.6	1.9	267.259	6232	9324	7659	9325	5106	8.6	3.79E-03	GFL11 - 3A □□□ 090C22 MDSKA□□ 090-22 80
3358	7.0	1.6	327.556	7638	9324	8284	9325	5523	7.0	3.74E-03	GFL11 - 3A □□□ 090C22 MDSKA□□ 090-22 80
572	63	4.4	65.306	1460	9325	1748	9326	2891	48	4.30E-03	GFL11 - 3A □□□ 090C22 MDSKA□□ 090-22 140

Observe the notes for thermal dimensioning.

Selection tables - Shaft-mounted helical gearboxes

Naturally ventilated asynchronous geared servo motors



M ₂ [Nm]	n _{2 trans} [rpm]	c	i	M _{2 max} short-time on geared motor at				M _{2 Gr} gearbox c=1 n ₁ ≤ 1400 rpm [Nm]	n _{2 therm} [rpm]	J _{GM} referred to motor shaft [kgm ²]	Servo shaft-mounted helical geared motor Dimensions on Page 4-82
				8 kHz		16 kHz					
				M _{2 max} [Nm]	Type EVS	M _{2 max} [Nm]	Type EVS				
646	56	3.9	73.335	1640	9325	1962	9326	2875	42	4.38E-03	GFL11 - 3A □□□ 090C22 MDSKA□□ 090-22 140
728	50	3.9	82.631	1848	9325	2211	9326	3240	38	4.37E-03	GFL11 - 3A □□□ 090C22 MDSKA□□ 090-22 140
828	44	3.4	93.540	2092	9325	2503	9326	3206	33	4.10E-03	GFL11 - 3A □□□ 090C22 MDSKA□□ 090-22 140
933	39	3.4	105.397	2357	9325	2820	9326	3613	30	4.10E-03	GFL11 - 3A □□□ 090C22 MDSKA□□ 090-22 140
1018	36	3.0	114.586	2563	9325	3066	9326	3501	27	3.97E-03	GFL11 - 3A □□□ 090C22 MDSKA□□ 090-22 140
1147	32	3.0	129.111	2887	9325	3455	9326	3945	24	3.97E-03	GFL11 - 3A □□□ 090C22 MDSKA□□ 090-22 140
1332	28	2.6	149.144	3335	9325	3991	9326	3894	21	3.83E-03	GFL11 - 3A □□□ 090C22 MDSKA□□ 090-22 140
1500	24	2.6	168.049	3758	9325	4497	9326	4387	19	3.83E-03	GFL11 - 3A □□□ 090C22 MDSKA□□ 090-22 140
1637	22	2.3	182.792	4088	9325	4891	9326	4233	17	3.77E-03	GFL11 - 3A □□□ 090C22 MDSKA□□ 090-22 140
1845	20	2.3	205.963	4606	9325	5511	9326	4769	15	3.76E-03	GFL11 - 3A □□□ 090C22 MDSKA□□ 090-22 140
2018	18	2.0	224.636	5024	9325	6011	9326	4523	14	3.75E-03	GFL11 - 3A □□□ 090C22 MDSKA□□ 090-22 140
2274	16	2.0	253.111	5660	9325	6773	9326	5097	12	3.75E-03	GFL11 - 3A □□□ 090C22 MDSKA□□ 090-22 140
2404	15	1.9	267.259	5977	9325	7152	9326	5106	12	3.79E-03	GFL11 - 3A □□□ 090C22 MDSKA□□ 090-22 140
2953	13	1.7	327.556	7325	9325	8284	9326	5523	9.5	3.74E-03	GFL11 - 3A □□□ 090C22 MDSKA□□ 090-22 140
998	36	2.8	65.306	2946	9325	2110	9325	2891	36	7.90E-03	GFL11 - 3A □□□ 100C22 MDSKA□□ 100-22 80
1124	32	2.5	73.335	3308	9325	2369	9325	2875	32	7.98E-03	GFL11 - 3A □□□ 100C22 MDSKA□□ 100-22 80
1267	28	2.5	82.631	3727	9325	2669	9325	3240	28	7.97E-03	GFL11 - 3A □□□ 100C22 MDSKA□□ 100-22 80
1439	25	2.2	93.540	4219	9325	3022	9325	3206	25	7.70E-03	GFL11 - 3A □□□ 100C22 MDSKA□□ 100-22 80
1621	22	2.2	105.397	4754	9325	3405	9325	3613	22	7.70E-03	GFL11 - 3A □□□ 100C22 MDSKA□□ 100-22 80
1767	20	2.0	114.586	5169	9325	3701	9325	3501	20	7.57E-03	GFL11 - 3A □□□ 100C22 MDSKA□□ 100-22 80
1991	18	2.0	129.111	5824	9325	4171	9325	3945	18	7.57E-03	GFL11 - 3A □□□ 100C22 MDSKA□□ 100-22 80
730	64	3.5	65.306	2702	9326	1610	9326	2891	37	7.90E-03	GFL11 - 3A □□□ 100C22 MDSKA□□ 100-22 140
823	57	3.1	73.335	3035	9326	1808	9326	2875	33	7.98E-03	GFL11 - 3A □□□ 100C22 MDSKA□□ 100-22 140
927	50	3.1	82.631	3419	9326	2037	9326	3240	30	7.97E-03	GFL11 - 3A □□□ 100C22 MDSKA□□ 100-22 140
1054	44	2.7	93.540	3871	9326	2306	9326	3206	26	7.70E-03	GFL11 - 3A □□□ 100C22 MDSKA□□ 100-22 140
1187	39	2.7	105.397	4361	9326	2599	9326	3613	23	7.70E-03	GFL11 - 3A □□□ 100C22 MDSKA□□ 100-22 140
1295	36	2.4	114.586	4742	9326	2825	9326	3501	21	7.57E-03	GFL11 - 3A □□□ 100C22 MDSKA□□ 100-22 140
1459	32	2.4	129.111	5343	9326	3183	9326	3945	19	7.57E-03	GFL11 - 3A □□□ 100C22 MDSKA□□ 100-22 140
1712	34	1.7	73.335	4313	9326	3911	9326	2875	27	1.88E-02	GFL11 - 3A □□□ 112C22 MDSKA□□ 112-22 85
1929	30	1.7	82.631	4859	9326	4406	9326	3240	24	1.88E-02	GFL11 - 3A □□□ 112C22 MDSKA□□ 112-22 85
1177	57	2.2	73.335	3077	9326	2628	9327	2875	27	1.88E-02	GFL11 - 3A □□□ 112C22 MDSKA□□ 112-22 140
1326	50	2.2	82.631	3467	9326	2961	9327	3240	24	1.88E-02	GFL11 - 3A □□□ 112C22 MDSKA□□ 112-22 140
1204	29	5.6	79.875	3658	9325	2619	9325	7015	29	8.38E-03	GFL14 - 2A □□□ 100C22 MDSKA□□ 100-22 80
1357	26	5.6	90.000	4122	9325	2951	9325	7905	26	8.35E-03	GFL14 - 2A □□□ 100C22 MDSKA□□ 100-22 80

Observe the notes for thermal dimensioning.

Selection tables - Shaft-mounted helical gearboxes

Naturally ventilated asynchronous geared servo motors

M ₂ [Nm]	n _{2 trans} [rpm]	c	i	M _{2 max} short-time on geared motor at				M _{2 Gr} gearbox c=1 n ₁ ≤ 1400 rpm [Nm]	n _{2 therm} [rpm]	J _{GM} referred to motor shaft [kgm ²]	Servo shaft-mounted helical geared motor Dimensions on Page 4-82
				8 kHz		16 kHz					
				M _{2 max} [Nm]	Type EVS	M _{2 max} [Nm]	Type EVS				
1233	9.9	5.5	202.074	2916	9323	4094	9324	7076	9.9	2.29E-03	GFL14 - 3A □□□ 080C22 MDSKA□□ 080-22 70
1669	7.3	5.6	273.778	3951	9323	5547	9324	9753	7.3	2.50E-03	GFL14 - 3A □□□ 080C22 MDSKA□□ 080-22 70
2041	6.0	5.0	332.444	4797	9323	6735	9324	10550	6.0	2.35E-03	GFL14 - 3A □□□ 080C22 MDSKA□□ 080-22 70
2174	5.7	4.6	352.811	5091	9323	7148	9324	10343	5.7	2.14E-03	GFL14 - 3A □□□ 080C22 MDSKA□□ 080-22 70
2451	5.0	4.6	397.533	5737	9323	8054	9324	11615	5.0	2.13E-03	GFL14 - 3A □□□ 080C22 MDSKA□□ 080-22 70
2673	4.7	3.8	430.222	6208	9323	8716	9324	10560	4.7	2.19E-03	GFL14 - 3A □□□ 080C22 MDSKA□□ 080-22 70
3268	3.8	3.2	522.133	7535	9323	10579	9324	10560	3.8	2.12E-03	GFL14 - 3A □□□ 080C22 MDSKA□□ 080-22 70
3544	3.6	2.5	562.391	8116	9323	11394	9324	9036	3.6	2.11E-03	GFL14 - 3A □□□ 080C22 MDSKA□□ 080-22 70
3997	3.2	2.4	633.680	9144	9323	12839	9324	9811	3.2	2.11E-03	GFL14 - 3A □□□ 080C22 MDSKA□□ 080-22 70
4505	2.8	2.0	710.888	10259	9323	13555	9324	9036	2.8	2.05E-03	GFL14 - 3A □□□ 080C22 MDSKA□□ 080-22 70
5080	2.5	1.9	801.000	11559	9323	14716	9324	9811	2.5	2.05E-03	GFL14 - 3A □□□ 080C22 MDSKA□□ 080-22 70
1634	12	5.5	332.444	4194	9324	6068	9325	10550	11	2.35E-03	GFL14 - 3A □□□ 080C22 MDSKA□□ 080-22 140
1742	12	5.1	352.811	4451	9324	6440	9325	10343	10	2.14E-03	GFL14 - 3A □□□ 080C22 MDSKA□□ 080-22 140
1963	10	5.1	397.533	5015	9324	7256	9325	11615	9.0	2.13E-03	GFL14 - 3A □□□ 080C22 MDSKA□□ 080-22 140
2144	9.5	4.3	430.222	5427	9324	7853	9325	10560	8.4	2.19E-03	GFL14 - 3A □□□ 080C22 MDSKA□□ 080-22 140
2623	7.9	3.5	522.133	6587	9324	9531	9325	10560	6.9	2.12E-03	GFL14 - 3A □□□ 080C22 MDSKA□□ 080-22 140
2847	7.3	2.8	562.391	7095	9324	10266	9325	9036	6.4	2.11E-03	GFL14 - 3A □□□ 080C22 MDSKA□□ 080-22 140
3212	6.5	2.7	633.680	7994	9324	11567	9325	9811	5.7	2.11E-03	GFL14 - 3A □□□ 080C22 MDSKA□□ 080-22 140
3622	5.8	2.2	710.888	8968	9324	12976	9325	9036	5.1	2.05E-03	GFL14 - 3A □□□ 080C22 MDSKA□□ 080-22 140
4084	5.1	2.1	801.000	10105	9324	14621	9325	9811	4.5	2.05E-03	GFL14 - 3A □□□ 080C22 MDSKA□□ 080-22 140
1028	22	5.8	104.889	2446	9324	3458	9325	6292	22	4.53E-03	GFL14 - 3A □□□ 090C22 MDSKA□□ 090-22 80
1120	20	5.7	114.126	2661	9324	3763	9325	6719	20	4.43E-03	GFL14 - 3A □□□ 090C22 MDSKA□□ 090-22 80
1262	18	5.7	128.593	2999	9324	4240	9325	7571	18	4.41E-03	GFL14 - 3A □□□ 090C22 MDSKA□□ 090-22 80
1351	17	5.2	136.889	3192	9324	4513	9325	7359	17	5.28E-03	GFL14 - 3A □□□ 090C22 MDSKA□□ 090-22 80
1545	15	5.0	156.148	3641	9324	5148	9325	7992	15	4.19E-03	GFL14 - 3A □□□ 090C22 MDSKA□□ 090-22 80
1686	14	4.8	170.074	3966	9324	5608	9325	8408	14	4.30E-03	GFL14 - 3A □□□ 090C22 MDSKA□□ 090-22 80
2021	11	4.0	202.074	4712	9324	6663	9325	8281	11	3.97E-03	GFL14 - 3A □□□ 090C22 MDSKA□□ 090-22 80
2251	10	3.8	224.636	5238	9324	7406	9325	8739	10	4.07E-03	GFL14 - 3A □□□ 090C22 MDSKA□□ 090-22 80
2537	9.1	3.8	253.111	5902	9324	8345	9325	9846	9.1	4.07E-03	GFL14 - 3A □□□ 090C22 MDSKA□□ 090-22 80
2753	8.4	3.5	273.778	6384	9324	9027	9325	9753	8.4	4.18E-03	GFL14 - 3A □□□ 090C22 MDSKA□□ 090-22 80
3357	6.9	3.1	332.444	7752	9324	10961	9325	10550	6.9	4.03E-03	GFL14 - 3A □□□ 090C22 MDSKA□□ 090-22 80
3571	6.5	2.9	352.811	8227	9324	11632	9325	10389	6.5	3.82E-03	GFL14 - 3A □□□ 090C22 MDSKA□□ 090-22 80
4024	5.8	2.8	397.533	9270	9324	13107	9325	11615	5.8	3.81E-03	GFL14 - 3A □□□ 090C22 MDSKA□□ 090-22 80
4376	5.4	2.4	430.222	10032	9324	14185	9325	10560	5.4	3.87E-03	GFL14 - 3A □□□ 090C22 MDSKA□□ 090-22 80

Observe the notes for thermal dimensioning.

Selection tables - Shaft-mounted helical gearboxes

Naturally ventilated asynchronous geared servo motors



M ₂ [Nm]	n _{2 trans} [rpm]	c	i	M _{2 max} short-time on geared motor at				M _{2 Gr} gearbox c=1 n ₁ ≤ 1400 rpm [Nm]	n _{2 therm} [rpm]	J _{GM} referred to motor shaft [kgm ²]	Servo shaft-mounted helical geared motor Dimensions on Page 4-82
				8 kHz		16 kHz					
				M _{2 max} [Nm]	Type EVS	M _{2 max} [Nm]	Type EVS				
5335	4.4	2.0	522.133	12175	9324	15840	9325	10560	4.4	3.80E-03	GFL14 - 3A □□□ 090C22 MDSKA□□ 090-22 80
5771	4.1	1.6	562.391	13114	9324	13555	9325	9036	4.1	3.79E-03	GFL14 - 3A □□□ 090C22 MDSKA□□ 090-22 80
6506	3.6	1.5	633.680	14716	9324	14716	9325	9811	3.6	3.79E-03	GFL14 - 3A □□□ 090C22 MDSKA□□ 090-22 80
903	39	5.9	104.889	2346	9325	2807	9326	6292	30	4.53E-03	GFL14 - 3A □□□ 090C22 MDSKA□□ 090-22 140
984	36	5.8	114.126	2552	9325	3054	9326	6719	27	4.43E-03	GFL14 - 3A □□□ 090C22 MDSKA□□ 090-22 140
1108	32	5.8	128.593	2876	9325	3441	9326	7571	24	4.41E-03	GFL14 - 3A □□□ 090C22 MDSKA□□ 090-22 140
1186	30	5.3	136.889	3061	9325	3663	9326	7359	23	5.28E-03	GFL14 - 3A □□□ 090C22 MDSKA□□ 090-22 140
1357	26	5.1	156.148	3492	9325	4178	9326	7992	20	4.19E-03	GFL14 - 3A □□□ 090C22 MDSKA□□ 090-22 140
1481	24	4.9	170.074	3803	9325	4551	9326	8408	18	4.30E-03	GFL14 - 3A □□□ 090C22 MDSKA□□ 090-22 140
1776	20	4.1	202.074	4519	9325	5407	9326	8281	15	3.97E-03	GFL14 - 3A □□□ 090C22 MDSKA□□ 090-22 140
1978	18	3.9	224.636	5024	9325	6011	9326	8739	14	4.07E-03	GFL14 - 3A □□□ 090C22 MDSKA□□ 090-22 140
2229	16	3.9	253.111	5660	9325	6773	9326	9846	12	4.07E-03	GFL14 - 3A □□□ 090C22 MDSKA□□ 090-22 140
2420	15	3.5	273.778	6122	9325	7326	9326	9753	11	4.18E-03	GFL14 - 3A □□□ 090C22 MDSKA□□ 090-22 140
2950	12	3.1	332.444	7434	9325	8896	9326	10550	9.4	4.03E-03	GFL14 - 3A □□□ 090C22 MDSKA□□ 090-22 140
3139	12	2.9	352.811	7890	9325	9441	9326	10389	8.8	3.82E-03	GFL14 - 3A □□□ 090C22 MDSKA□□ 090-22 140
3537	10	2.9	397.533	8890	9325	10638	9326	11615	7.8	3.81E-03	GFL14 - 3A □□□ 090C22 MDSKA□□ 090-22 140
3847	9.6	2.4	430.222	9621	9325	11512	9326	10560	7.2	3.87E-03	GFL14 - 3A □□□ 090C22 MDSKA□□ 090-22 140
4690	7.9	2.0	522.133	11676	9325	13972	9326	10560	6.0	3.80E-03	GFL14 - 3A □□□ 090C22 MDSKA□□ 090-22 140
5074	7.3	1.6	562.391	12577	9325	13555	9326	9036	5.5	3.79E-03	GFL14 - 3A □□□ 090C22 MDSKA□□ 090-22 140
5721	6.5	1.5	633.680	14171	9325	14716	9326	9811	4.9	3.79E-03	GFL14 - 3A □□□ 090C22 MDSKA□□ 090-22 140
955	36	5.5	64.296	2900	9325	2077	9325	5610	36	9.83E-03	GFL14 - 3A □□□ 100C22 MDSKA□□ 100-22 80
1025	34	5.1	68.708	3099	9325	2219	9325	5416	34	9.19E-03	GFL14 - 3A □□□ 100C22 MDSKA□□ 100-22 80
1155	30	5.1	77.418	3492	9325	2501	9325	6103	30	9.14E-03	GFL14 - 3A □□□ 100C22 MDSKA□□ 100-22 80
1273	28	4.7	85.037	3836	9325	2747	9325	6276	28	9.36E-03	GFL14 - 3A □□□ 100C22 MDSKA□□ 100-22 80
1579	22	4.2	104.889	4731	9325	3388	9325	6888	22	8.13E-03	GFL14 - 3A □□□ 100C22 MDSKA□□ 100-22 80
1726	21	3.8	114.126	5148	9325	3687	9325	6719	21	8.03E-03	GFL14 - 3A □□□ 100C22 MDSKA□□ 100-22 80
1945	18	3.8	128.593	5801	9325	4154	9325	7571	18	8.01E-03	GFL14 - 3A □□□ 100C22 MDSKA□□ 100-22 80
2078	17	3.5	136.889	6175	9325	4422	9325	7359	17	8.88E-03	GFL14 - 3A □□□ 100C22 MDSKA□□ 100-22 80
2372	15	3.4	156.148	7044	9325	5044	9325	8227	15	7.79E-03	GFL14 - 3A □□□ 100C22 MDSKA□□ 100-22 80
2589	14	3.2	170.074	7672	9325	5494	9325	8408	14	7.90E-03	GFL14 - 3A □□□ 100C22 MDSKA□□ 100-22 80
3444	10	2.5	224.636	10133	9325	7256	9325	8739	10	7.67E-03	GFL14 - 3A □□□ 100C22 MDSKA□□ 100-22 80
3881	9.2	2.5	253.111	11417	9325	8176	9325	9846	9.2	7.67E-03	GFL14 - 3A □□□ 100C22 MDSKA□□ 100-22 80
4207	8.6	2.3	273.778	12350	9325	8844	9325	9753	8.6	7.78E-03	GFL14 - 3A □□□ 100C22 MDSKA□□ 100-22 80
5122	7.0	2.0	332.444	14996	9325	10739	9325	10550	7.0	7.63E-03	GFL14 - 3A □□□ 100C22 MDSKA□□ 100-22 80

Observe the notes for thermal dimensioning.

Selection tables - Shaft-mounted helical gearboxes

Naturally ventilated asynchronous geared servo motors

M ₂ [Nm]	n ₂ trans [rpm]	c	i	M ₂ max short-time on geared motor at				M ₂ Gr gearbox c=1 n ₁ ≤ 1400 rpm [Nm]	n ₂ therm [rpm]	J _{GM} referred to motor shaft [kgm ²]	Servo shaft-mounted helical geared motor Dimensions on Page 4-82
				8 kHz		16 kHz					
				M ₂ max [Nm]	Type EVS	M ₂ max [Nm]	Type EVS				
926	49	5.8	85.037	3519	9326	2097	9326	6276	29	9.36E-03	GFL14 - 3A □□□ 100C22 MDSKA□□ 100-22 140
1151	40	5.1	104.889	4340	9326	2586	9326	6888	23	8.13E-03	GFL14 - 3A □□□ 100C22 MDSKA□□ 100-22 140
1259	36	4.6	114.126	4723	9326	2814	9326	6719	21	8.03E-03	GFL14 - 3A □□□ 100C22 MDSKA□□ 100-22 140
1419	32	4.6	128.593	5321	9326	3171	9326	7571	19	8.01E-03	GFL14 - 3A □□□ 100C22 MDSKA□□ 100-22 140
1517	30	4.2	136.889	5665	9326	3375	9326	7359	18	8.88E-03	GFL14 - 3A □□□ 100C22 MDSKA□□ 100-22 140
1732	27	4.1	156.148	6462	9326	3850	9326	8227	16	7.79E-03	GFL14 - 3A □□□ 100C22 MDSKA□□ 100-22 140
1892	24	3.9	170.074	7038	9326	4193	9326	8408	14	7.90E-03	GFL14 - 3A □□□ 100C22 MDSKA□□ 100-22 140
2521	18	3.0	224.636	9296	9326	5539	9326	8739	11	7.67E-03	GFL14 - 3A □□□ 100C22 MDSKA□□ 100-22 140
2841	16	3.0	253.111	10474	9326	6241	9326	9846	9.7	7.67E-03	GFL14 - 3A □□□ 100C22 MDSKA□□ 100-22 140
3081	15	2.8	273.778	11329	9326	6750	9326	9753	8.9	7.78E-03	GFL14 - 3A □□□ 100C22 MDSKA□□ 100-22 140
3753	12	2.5	332.444	13757	9326	8197	9326	10550	7.4	7.63E-03	GFL14 - 3A □□□ 100C22 MDSKA□□ 100-22 140
1471	39	3.6	64.296	4793	9326	3429	9326	5610	31	2.06E-02	GFL14 - 3A □□□ 112C22 MDSKA□□ 112-22 85
1576	36	3.4	68.708	5122	9326	3664	9326	5416	29	2.00E-02	GFL14 - 3A □□□ 112C22 MDSKA□□ 112-22 85
1775	32	3.4	77.418	5771	9326	4128	9326	6103	26	1.99E-02	GFL14 - 3A □□□ 112C22 MDSKA□□ 112-22 85
1954	29	3.1	85.037	6339	9326	4535	9326	6276	24	2.02E-02	GFL14 - 3A □□□ 112C22 MDSKA□□ 112-22 85
3175	18	2.3	136.889	10204	9326	7300	9326	7359	15	1.97E-02	GFL14 - 3A □□□ 112C22 MDSKA□□ 112-22 85
1008	65	4.3	64.296	2698	9326	2304	9327	5610	31	2.06E-02	GFL14 - 3A □□□ 112C22 MDSKA□□ 112-22 140
1077	61	4.4	68.708	2883	9326	2462	9327	5416	29	2.00E-02	GFL14 - 3A □□□ 112C22 MDSKA□□ 112-22 140
1214	54	4.4	77.418	3248	9326	2775	9327	6103	26	1.99E-02	GFL14 - 3A □□□ 112C22 MDSKA□□ 112-22 140
1337	49	4.1	85.037	3568	9326	3048	9327	6276	24	2.02E-02	GFL14 - 3A □□□ 112C22 MDSKA□□ 112-22 140
2178	30	3.0	136.889	5743	9326	4906	9327	7359	15	1.97E-02	GFL14 - 3A □□□ 112C22 MDSKA□□ 112-22 140

Observe the notes for thermal dimensioning.

Selection tables - Shaft-mounted helical gearboxes

Forced ventilated asynchronous geared servo motors



M ₂ [Nm]	n _{2 trans} [rpm]	c	i	M _{2 max} short-time on geared motor at				M _{2 Gr} gearbox c=1 n ₁ ≤ 1400 rpm [Nm]	n _{2 therm} [rpm]	J _{GM} referred to motor shaft [kgm ²]	Servo shaft-mounted helical geared motor Dimensions on Page 4-82
				8 kHz		16 kHz					
				M _{2 max} [Nm]	Type EVS	M _{2 max} [Nm]	Type EVS				
22	932	3.7	3.659	46	9324	68	9325	109	932	9.81E-04	GFL04 - 2A □□□ 071C22 MDFKA□□ 071-22 120
30	680	2.8	5.018	63	9324	93	9325	111	680	9.16E-04	GFL04 - 2A □□□ 071C22 MDFKA□□ 071-22 120
35	585	3.3	5.833	74	9324	108	9325	153	572	9.23E-04	GFL04 - 2A □□□ 071C22 MDFKA□□ 071-22 120
39	531	2.2	6.422	81	9324	118	9325	113	531	8.86E-04	GFL04 - 2A □□□ 071C22 MDFKA□□ 071-22 120
42	485	2.0	7.025	89	9324	130	9325	113	485	8.77E-04	GFL04 - 2A □□□ 071C22 MDFKA□□ 071-22 120
50	407	2.7	8.379	106	9324	155	9325	179	382	8.97E-04	GFL04 - 2A □□□ 071C22 MDFKA□□ 071-22 120
56	365	2.2	9.333	118	9324	172	9325	165	330	8.91E-04	GFL04 - 2A □□□ 071C22 MDFKA□□ 071-22 120
62	333	1.9	10.238	129	9324	189	9325	159	333	8.67E-04	GFL04 - 2A □□□ 071C22 MDFKA□□ 071-22 120
70	297	2.0	11.491	145	9324	212	9325	181	294	8.71E-04	GFL04 - 2A □□□ 071C22 MDFKA□□ 071-22 120
78	266	1.6	12.800	161	9324	236	9325	166	240	8.68E-04	GFL04 - 2A □□□ 071C22 MDFKA□□ 071-22 120
89	232	1.5	14.706	186	9324	271	9325	182	232	8.58E-04	GFL04 - 2A □□□ 071C22 MDFKA□□ 071-22 120
98	212	1.4	16.087	203	9324	273	9325	182	212	8.55E-04	GFL04 - 2A □□□ 071C22 MDFKA□□ 071-22 120
109	190	1.2	17.920	226	9324	251	9325	167	181	8.53E-04	GFL04 - 2A □□□ 071C22 MDFKA□□ 071-22 120
125	166	1.1	20.519	259	9324	275	9325	183	166	8.47E-04	GFL04 - 2A □□□ 071C22 MDFKA□□ 071-22 120
154	136	1.0	25.136	275	9324	275	9325	183	136	8.43E-04	GFL04 - 2A □□□ 071C22 MDFKA□□ 071-22 120
20	1023	5.1	3.333	42	9324	61	9325	138	910	9.98E-04	GFL05 - 2A □□□ 071C22 MDFKA□□ 071-22 120
27	746	4.6	4.571	58	9324	84	9325	170	746	1.04E-03	GFL05 - 2A □□□ 071C22 MDFKA□□ 071-22 120
30	664	5.1	5.133	65	9324	95	9325	212	591	1.07E-03	GFL05 - 2A □□□ 071C22 MDFKA□□ 071-22 120
33	602	5.1	5.667	72	9324	105	9325	233	535	1.06E-03	GFL05 - 2A □□□ 071C22 MDFKA□□ 071-22 120
38	533	3.4	6.400	81	9324	118	9325	173	533	9.12E-04	GFL05 - 2A □□□ 071C22 MDFKA□□ 071-22 120
42	484	4.4	7.040	89	9324	130	9325	248	484	9.77E-04	GFL05 - 2A □□□ 071C22 MDFKA□□ 071-22 120
46	439	4.1	7.771	98	9324	143	9325	258	439	9.75E-04	GFL05 - 2A □□□ 071C22 MDFKA□□ 071-22 120
54	378	3.7	9.010	114	9324	166	9325	266	378	9.25E-04	GFL05 - 2A □□□ 071C22 MDFKA□□ 071-22 120
59	343	3.4	9.946	125	9324	183	9325	275	343	9.19E-04	GFL05 - 2A □□□ 071C22 MDFKA□□ 071-22 120
68	300	3.0	11.360	143	9324	209	9325	278	283	9.38E-04	GFL05 - 2A □□□ 071C22 MDFKA□□ 071-22 120
77	266	2.8	12.800	161	9324	236	9325	285	246	9.31E-04	GFL05 - 2A □□□ 071C22 MDFKA□□ 071-22 120
87	235	2.6	14.538	183	9324	268	9325	301	235	9.05E-04	GFL05 - 2A □□□ 071C22 MDFKA□□ 071-22 120
96	214	2.4	15.904	201	9324	293	9325	310	214	8.90E-04	GFL05 - 2A □□□ 071C22 MDFKA□□ 071-22 120
108	190	2.2	17.920	226	9324	330	9325	312	190	8.91E-04	GFL05 - 2A □□□ 071C22 MDFKA□□ 071-22 120
123	168	2.0	20.286	256	9324	374	9325	333	168	8.73E-04	GFL05 - 2A □□□ 071C22 MDFKA□□ 071-22 120
139	149	1.7	22.857	288	9324	421	9325	313	149	8.73E-04	GFL05 - 2A □□□ 071C22 MDFKA□□ 071-22 120
150	137	2.0	24.850	313	9324	458	9325	344	137	8.65E-04	GFL05 - 2A □□□ 071C22 MDFKA□□ 071-22 120
170	122	1.6	28.000	353	9324	471	9325	314	122	8.63E-04	GFL05 - 2A □□□ 071C22 MDFKA□□ 071-22 120
197	105	1.5	32.344	408	9324	518	9325	345	105	8.50E-04	GFL05 - 2A □□□ 071C22 MDFKA□□ 071-22 120

Observe the notes for thermal dimensioning.

Selection tables - Shaft-mounted helical gearboxes

Forced ventilated asynchronous geared servo motors

M ₂ [Nm]	n _{2 trans} [rpm]	c	i	M _{2 max} short-time on geared motor at				M _{2 Gr} gearbox c=1 n ₁ ≤1400 rpm [Nm]	n _{2 therm} [rpm]	J _{GM} referred to motor shaft [kgm ²]	Servo shaft-mounted helical geared motor Dimensions on Page 4-82
				8 kHz		16 kHz					
				M _{2 max} [Nm]	Type EVS	M _{2 max} [Nm]	Type EVS				
222	94	1.2	36.444	460	9324	474	9325	316	94	8.50E-04	GFL05 - 2A □□□ 071C22 MDFKA□□ 071-22 120
245	85	1.2	40.233	508	9324	518	9325	345	85	8.45E-04	GFL05 - 2A □□□ 071C22 MDFKA□□ 071-22 120
38	491	4.2	3.333	96	9324	70	9324	166	491	2.09E-03	GFL05 - 2A □□□ 080C22 MDFKA□□ 080-22 60
52	358	3.1	4.571	131	9324	95	9324	170	358	2.13E-03	GFL05 - 2A □□□ 080C22 MDFKA□□ 080-22 60
58	319	3.6	5.133	147	9324	107	9324	223	319	2.16E-03	GFL05 - 2A □□□ 080C22 MDFKA□□ 080-22 60
64	289	3.4	5.667	163	9324	118	9324	233	289	2.15E-03	GFL05 - 2A □□□ 080C22 MDFKA□□ 080-22 60
74	255	2.3	6.400	184	9324	134	9324	173	255	2.00E-03	GFL05 - 2A □□□ 080C22 MDFKA□□ 080-22 60
80	232	2.9	7.040	202	9324	147	9324	248	232	2.07E-03	GFL05 - 2A □□□ 080C22 MDFKA□□ 080-22 60
89	210	2.8	7.771	223	9324	162	9324	258	210	2.07E-03	GFL05 - 2A □□□ 080C22 MDFKA□□ 080-22 60
103	181	2.5	9.010	259	9324	188	9324	266	181	2.02E-03	GFL05 - 2A □□□ 080C22 MDFKA□□ 080-22 60
114	164	2.3	9.946	286	9324	208	9324	275	164	2.01E-03	GFL05 - 2A □□□ 080C22 MDFKA□□ 080-22 60
131	144	2.0	11.360	326	9324	237	9324	278	144	2.03E-03	GFL05 - 2A □□□ 080C22 MDFKA□□ 080-22 60
148	128	1.9	12.800	368	9324	267	9324	285	128	2.02E-03	GFL05 - 2A □□□ 080C22 MDFKA□□ 080-22 60
168	112	1.7	14.538	418	9324	303	9324	301	112	1.99E-03	GFL05 - 2A □□□ 080C22 MDFKA□□ 080-22 60
184	103	1.6	15.904	457	9324	332	9324	310	103	1.98E-03	GFL05 - 2A □□□ 080C22 MDFKA□□ 080-22 60
208	91	1.5	17.920	468	9324	374	9324	312	91	1.98E-03	GFL05 - 2A □□□ 080C22 MDFKA□□ 080-22 60
235	81	1.4	20.286	499	9324	423	9324	333	81	1.96E-03	GFL05 - 2A □□□ 080C22 MDFKA□□ 080-22 60
266	72	1.1	22.857	470	9324	470	9324	313	72	1.96E-03	GFL05 - 2A □□□ 080C22 MDFKA□□ 080-22 60
289	66	1.2	24.850	516	9324	516	9324	344	66	1.95E-03	GFL05 - 2A □□□ 080C22 MDFKA□□ 080-22 60
34	1037	3.6	3.333	95	9325	69	9325	166	849	2.09E-03	GFL05 - 2A □□□ 080C22 MDFKA□□ 080-22 120
47	756	2.7	4.571	130	9325	94	9325	170	686	2.13E-03	GFL05 - 2A □□□ 080C22 MDFKA□□ 080-22 120
53	673	3.1	5.133	146	9325	106	9325	223	536	2.16E-03	GFL05 - 2A □□□ 080C22 MDFKA□□ 080-22 120
58	610	3.0	5.667	161	9325	117	9325	233	480	2.15E-03	GFL05 - 2A □□□ 080C22 MDFKA□□ 080-22 120
66	540	2.0	6.400	182	9325	132	9325	173	527	2.00E-03	GFL05 - 2A □□□ 080C22 MDFKA□□ 080-22 120
73	491	2.5	7.040	200	9325	145	9325	248	440	2.07E-03	GFL05 - 2A □□□ 080C22 MDFKA□□ 080-22 120
80	445	2.4	7.771	221	9325	160	9325	258	394	2.07E-03	GFL05 - 2A □□□ 080C22 MDFKA□□ 080-22 120
93	383	2.1	9.010	256	9325	185	9325	266	366	2.02E-03	GFL05 - 2A □□□ 080C22 MDFKA□□ 080-22 120
103	347	2.0	9.946	283	9325	205	9325	275	329	2.01E-03	GFL05 - 2A □□□ 080C22 MDFKA□□ 080-22 120
118	304	1.8	11.360	323	9325	234	9325	278	243	2.03E-03	GFL05 - 2A □□□ 080C22 MDFKA□□ 080-22 120
133	270	1.6	12.800	364	9325	263	9325	285	204	2.02E-03	GFL05 - 2A □□□ 080C22 MDFKA□□ 080-22 120
152	238	1.5	14.538	413	9325	299	9325	301	195	1.99E-03	GFL05 - 2A □□□ 080C22 MDFKA□□ 080-22 120
166	217	1.4	15.904	452	9325	327	9325	310	181	1.98E-03	GFL05 - 2A □□□ 080C22 MDFKA□□ 080-22 120
187	193	1.3	17.920	468	9325	369	9325	312	154	1.98E-03	GFL05 - 2A □□□ 080C22 MDFKA□□ 080-22 120
212	170	1.2	20.286	499	9325	417	9325	333	155	1.96E-03	GFL05 - 2A □□□ 080C22 MDFKA□□ 080-22 120

Observe the notes for thermal dimensioning.

Selection tables - Shaft-mounted helical gearboxes

Forced ventilated asynchronous geared servo motors



M ₂ [Nm]	n ₂ trans [rpm]	c	i	M ₂ max short-time on geared motor at				M ₂ Gr gearbox c=1 n ₁ ≤ 1400 rpm [Nm]	n ₂ therm [rpm]	J _{GM} referred to motor shaft [kgm ²]	Servo shaft-mounted helical geared motor Dimensions on Page 4-82
				8 kHz		16 kHz					
				M ₂ max [Nm]	Type EVS	M ₂ max [Nm]	Type EVS				
260	139	1.1	24.850	516	9325	511	9325	344	139	1.95E-03	GFLO6 - 2A □□□ 080C22 MDFKA□□ 080-22 120
38	529	5.1	6.450	81	9324	119	9325	263	529	1.20E-03	GFLO6 - 2A □□□ 071C22 MDFKA□□ 071-22 120
59	338	5.1	10.092	127	9324	186	9325	412	338	1.08E-03	GFLO6 - 2A □□□ 071C22 MDFKA□□ 071-22 120
86	231	5.1	14.743	186	9324	272	9325	602	231	1.03E-03	GFLO6 - 2A □□□ 071C22 MDFKA□□ 071-22 120
95	211	5.0	16.128	203	9324	297	9325	643	211	9.98E-04	GFLO6 - 2A □□□ 071C22 MDFKA□□ 071-22 120
108	188	4.1	18.169	229	9324	335	9325	600	188	9.87E-04	GFLO6 - 2A □□□ 071C22 MDFKA□□ 071-22 120
122	166	3.9	20.571	260	9324	379	9325	645	166	9.49E-04	GFLO6 - 2A □□□ 071C22 MDFKA□□ 071-22 120
138	147	3.2	23.175	292	9324	427	9325	604	147	9.43E-04	GFLO6 - 2A □□□ 071C22 MDFKA□□ 071-22 120
150	135	3.6	25.200	318	9324	465	9325	651	135	9.20E-04	GFLO6 - 2A □□□ 071C22 MDFKA□□ 071-22 120
170	120	3.0	28.389	358	9324	523	9325	607	120	9.16E-04	GFLO6 - 2A □□□ 071C22 MDFKA□□ 071-22 120
197	104	2.8	32.800	414	9324	605	9325	641	104	8.88E-04	GFLO6 - 2A □□□ 071C22 MDFKA□□ 071-22 120
223	92	2.3	36.951	466	9324	681	9325	611	92	8.86E-04	GFLO6 - 2A □□□ 071C22 MDFKA□□ 071-22 120
246	84	2.3	40.800	515	9324	752	9325	657	84	8.73E-04	GFLO6 - 2A □□□ 071C22 MDFKA□□ 071-22 120
278	74	1.9	45.963	580	9324	847	9325	613	74	8.71E-04	GFLO6 - 2A □□□ 071C22 MDFKA□□ 071-22 120
320	65	1.8	52.800	666	9324	973	9325	660	65	8.56E-04	GFLO6 - 2A □□□ 071C22 MDFKA□□ 071-22 120
362	57	1.5	59.481	750	9324	922	9325	615	57	8.55E-04	GFLO6 - 2A □□□ 071C22 MDFKA□□ 071-22 120
391	53	1.3	64.080	808	9324	864	9325	576	53	8.49E-04	GFLO6 - 2A □□□ 071C22 MDFKA□□ 071-22 120
440	47	1.3	72.189	911	9324	924	9325	616	47	8.49E-04	GFLO6 - 2A □□□ 071C22 MDFKA□□ 071-22 120
72	253	4.5	6.450	185	9324	135	9324	352	253	2.29E-03	GFLO6 - 2A □□□ 080C22 MDFKA□□ 080-22 60
80	229	5.1	7.147	205	9324	149	9324	433	229	2.32E-03	GFLO6 - 2A □□□ 080C22 MDFKA□□ 080-22 60
93	195	6.0	8.400	241	9324	175	9324	604	195	2.35E-03	GFLO6 - 2A □□□ 080C22 MDFKA□□ 080-22 60
105	173	5.1	9.463	272	9324	197	9324	581	173	2.31E-03	GFLO6 - 2A □□□ 080C22 MDFKA□□ 080-22 60
114	162	3.8	10.092	290	9324	211	9324	459	162	2.17E-03	GFLO6 - 2A □□□ 080C22 MDFKA□□ 080-22 60
129	142	4.6	11.520	331	9324	240	9324	632	142	2.09E-03	GFLO6 - 2A □□□ 080C22 MDFKA□□ 080-22 60
147	126	3.8	12.978	373	9324	271	9324	592	126	2.18E-03	GFLO6 - 2A □□□ 080C22 MDFKA□□ 080-22 60
167	111	3.6	14.743	423	9324	308	9324	641	111	2.12E-03	GFLO6 - 2A □□□ 080C22 MDFKA□□ 080-22 60
183	101	3.3	16.128	463	9324	336	9324	643	101	2.09E-03	GFLO6 - 2A □□□ 080C22 MDFKA□□ 080-22 60
208	90	2.8	18.169	522	9324	379	9324	600	90	2.08E-03	GFLO6 - 2A □□□ 080C22 MDFKA□□ 080-22 60
236	79	2.6	20.571	591	9324	429	9324	645	79	2.04E-03	GFLO6 - 2A □□□ 080C22 MDFKA□□ 080-22 60
267	71	2.2	23.175	666	9324	483	9324	604	71	2.03E-03	GFLO6 - 2A □□□ 080C22 MDFKA□□ 080-22 60
290	65	2.2	25.200	724	9324	526	9324	651	65	2.01E-03	GFLO6 - 2A □□□ 080C22 MDFKA□□ 080-22 60
328	58	1.8	28.389	815	9324	592	9324	607	58	2.01E-03	GFLO6 - 2A □□□ 080C22 MDFKA□□ 080-22 60
379	50	1.7	32.800	942	9324	684	9324	641	50	1.98E-03	GFLO6 - 2A □□□ 080C22 MDFKA□□ 080-22 60
428	44	1.4	36.951	916	9324	771	9324	611	44	1.98E-03	GFLO6 - 2A □□□ 080C22 MDFKA□□ 080-22 60

Observe the notes for thermal dimensioning.

Selection tables - Shaft-mounted helical gearboxes

Forced ventilated asynchronous geared servo motors

M ₂ [Nm]	n ₂ trans [rpm]	c	i	M ₂ max short-time on geared motor at				M ₂ Gr gearbox c=1 n ₁ ≤ 1400 rpm [Nm]	n ₂ therm [rpm]	J _{GM} referred to motor shaft [kgm ²]	Servo shaft-mounted helical geared motor Dimensions on Page 4-82
				8 kHz		16 kHz					
				M ₂ max [Nm]	Type EVS	M ₂ max [Nm]	Type EVS				
473	40	1.4	40.800	985	9324	851	9324	657	40	1.96E-03	GFL06 - 2A □□□ 080C22 MDFKA□□ 080-22 60
534	36	1.1	45.963	919	9324	919	9324	613	36	1.96E-03	GFL06 - 2A □□□ 080C22 MDFKA□□ 080-22 60
37	940	5.2	3.675	105	9325	76	9325	266	702	2.70E-03	GFL06 - 2A □□□ 080C22 MDFKA□□ 080-22 120
52	663	5.2	5.211	148	9325	107	9325	377	495	2.58E-03	GFL06 - 2A □□□ 080C22 MDFKA□□ 080-22 120
58	601	5.2	5.750	164	9325	118	9325	416	448	2.52E-03	GFL06 - 2A □□□ 080C22 MDFKA□□ 080-22 120
66	536	3.9	6.450	183	9325	133	9325	352	507	2.29E-03	GFL06 - 2A □□□ 080C22 MDFKA□□ 080-22 120
72	483	4.4	7.147	203	9325	147	9325	433	404	2.32E-03	GFL06 - 2A □□□ 080C22 MDFKA□□ 080-22 120
84	411	5.2	8.400	239	9325	173	9325	604	307	2.35E-03	GFL06 - 2A □□□ 080C22 MDFKA□□ 080-22 120
96	365	4.4	9.463	269	9325	195	9325	581	264	2.31E-03	GFL06 - 2A □□□ 080C22 MDFKA□□ 080-22 120
103	342	3.3	10.092	287	9325	208	9325	459	313	2.17E-03	GFL06 - 2A □□□ 080C22 MDFKA□□ 080-22 120
117	300	4.0	11.520	328	9325	237	9325	632	246	2.09E-03	GFL06 - 2A □□□ 080C22 MDFKA□□ 080-22 120
133	266	3.3	12.978	369	9325	267	9325	592	210	2.18E-03	GFL06 - 2A □□□ 080C22 MDFKA□□ 080-22 120
151	234	3.1	14.743	419	9325	303	9325	641	212	2.12E-03	GFL06 - 2A □□□ 080C22 MDFKA□□ 080-22 120
166	214	2.9	16.128	459	9325	332	9325	643	197	2.09E-03	GFL06 - 2A □□□ 080C22 MDFKA□□ 080-22 120
188	190	2.4	18.169	517	9325	374	9325	600	168	2.08E-03	GFL06 - 2A □□□ 080C22 MDFKA□□ 080-22 120
213	168	2.3	20.571	585	9325	423	9325	645	164	2.04E-03	GFL06 - 2A □□□ 080C22 MDFKA□□ 080-22 120
241	149	1.9	23.175	659	9325	477	9325	604	138	2.03E-03	GFL06 - 2A □□□ 080C22 MDFKA□□ 080-22 120
261	137	2.1	25.200	716	9325	518	9325	651	137	2.01E-03	GFL06 - 2A □□□ 080C22 MDFKA□□ 080-22 120
295	122	1.8	28.389	807	9325	584	9325	607	122	2.01E-03	GFL06 - 2A □□□ 080C22 MDFKA□□ 080-22 120
342	105	1.6	32.800	932	9325	675	9325	641	105	1.98E-03	GFL06 - 2A □□□ 080C22 MDFKA□□ 080-22 120
386	94	1.4	36.951	916	9325	760	9325	611	94	1.98E-03	GFL06 - 2A □□□ 080C22 MDFKA□□ 080-22 120
426	85	1.3	40.800	985	9325	839	9325	657	85	1.96E-03	GFL06 - 2A □□□ 080C22 MDFKA□□ 080-22 120
481	75	1.1	45.963	919	9325	919	9325	613	75	1.96E-03	GFL06 - 2A □□□ 080C22 MDFKA□□ 080-22 120
74	457	3.9	3.675	204	9325	150	9325	311	457	4.38E-03	GFL06 - 2A □□□ 090C22 MDFKA□□ 090-22 60
106	322	3.8	5.211	289	9325	212	9325	424	322	4.26E-03	GFL06 - 2A □□□ 090C22 MDFKA□□ 090-22 60
117	292	3.5	5.750	319	9325	234	9325	442	292	4.20E-03	GFL06 - 2A □□□ 090C22 MDFKA□□ 090-22 60
132	260	2.5	6.450	358	9325	263	9325	352	260	3.97E-03	GFL06 - 2A □□□ 090C22 MDFKA□□ 090-22 60
146	235	2.8	7.147	397	9325	291	9325	433	235	4.00E-03	GFL06 - 2A □□□ 090C22 MDFKA□□ 090-22 60
171	200	3.3	8.400	466	9325	342	9325	604	200	4.03E-03	GFL06 - 2A □□□ 090C22 MDFKA□□ 090-22 60
194	178	2.8	9.463	525	9325	386	9325	581	178	3.99E-03	GFL06 - 2A □□□ 090C22 MDFKA□□ 090-22 60
208	166	2.1	10.092	560	9325	411	9325	459	166	3.85E-03	GFL06 - 2A □□□ 090C22 MDFKA□□ 090-22 60
237	146	2.5	11.520	639	9325	469	9325	632	146	3.77E-03	GFL06 - 2A □□□ 090C22 MDFKA□□ 090-22 60
268	129	2.1	12.978	720	9325	529	9325	592	129	3.86E-03	GFL06 - 2A □□□ 090C22 MDFKA□□ 090-22 60
304	114	2.0	14.743	818	9325	601	9325	641	114	3.80E-03	GFL06 - 2A □□□ 090C22 MDFKA□□ 090-22 60

Observe the notes for thermal dimensioning.

Selection tables - Shaft-mounted helical gearboxes

Forced ventilated asynchronous geared servo motors



M ₂ [Nm]	n _{2 trans} [rpm]	c	i	M _{2 max} short-time on geared motor at				M _{2 Gr} gearbox c=1 n ₁ ≤ 1400 rpm [Nm]	n _{2 therm} [rpm]	J _{GM} referred to motor shaft [kgm ²]	Servo shaft-mounted helical geared motor Dimensions on Page 4-82
				8 kHz		16 kHz					
				M _{2 max} [Nm]	Type EVS	M _{2 max} [Nm]	Type EVS				
334	104	1.8	16.128	895	9325	657	9325	643	104	3.77E-03	GFL06 - 2A □□□ 090C22 MDFKA□□ 090-22 60
377	92	1.5	18.169	899	9325	740	9325	600	92	3.76E-03	GFL06 - 2A □□□ 090C22 MDFKA□□ 090-22 60
427	82	1.4	20.571	968	9325	838	9325	645	82	3.72E-03	GFL06 - 2A □□□ 090C22 MDFKA□□ 090-22 60
482	72	1.2	23.175	906	9325	906	9325	604	72	3.71E-03	GFL06 - 2A □□□ 090C22 MDFKA□□ 090-22 60
524	67	1.2	25.200	976	9325	976	9325	651	67	3.69E-03	GFL06 - 2A □□□ 090C22 MDFKA□□ 090-22 60
592	59	1.0	28.389	911	9325	911	9325	607	59	3.69E-03	GFL06 - 2A □□□ 090C22 MDFKA□□ 090-22 60
66	947	3.5	3.675	181	9326	159	9327	311	645	4.38E-03	GFL06 - 2A □□□ 090C22 MDFKA□□ 090-22 120
94	668	3.3	5.211	256	9326	226	9327	424	451	4.26E-03	GFL06 - 2A □□□ 090C22 MDFKA□□ 090-22 120
104	605	3.1	5.750	283	9326	249	9327	442	403	4.20E-03	GFL06 - 2A □□□ 090C22 MDFKA□□ 090-22 120
117	540	2.2	6.450	317	9326	279	9327	352	451	3.97E-03	GFL06 - 2A □□□ 090C22 MDFKA□□ 090-22 120
130	487	2.5	7.147	352	9326	309	9327	433	359	4.00E-03	GFL06 - 2A □□□ 090C22 MDFKA□□ 090-22 120
152	414	2.9	8.400	413	9326	364	9327	604	272	4.03E-03	GFL06 - 2A □□□ 090C22 MDFKA□□ 090-22 120
172	368	2.5	9.463	466	9326	410	9327	581	233	3.99E-03	GFL06 - 2A □□□ 090C22 MDFKA□□ 090-22 120
184	345	1.9	10.092	496	9326	437	9327	459	271	3.85E-03	GFL06 - 2A □□□ 090C22 MDFKA□□ 090-22 120
210	302	2.2	11.520	567	9326	499	9327	632	217	3.77E-03	GFL06 - 2A □□□ 090C22 MDFKA□□ 090-22 120
237	268	1.9	12.978	638	9326	562	9327	592	182	3.86E-03	GFL06 - 2A □□□ 090C22 MDFKA□□ 090-22 120
270	236	1.8	14.743	725	9326	638	9327	641	181	3.80E-03	GFL06 - 2A □□□ 090C22 MDFKA□□ 090-22 120
295	216	1.6	16.128	793	9326	698	9327	643	164	3.77E-03	GFL06 - 2A □□□ 090C22 MDFKA□□ 090-22 120
334	192	1.4	18.169	894	9326	786	9327	600	132	3.76E-03	GFL06 - 2A □□□ 090C22 MDFKA□□ 090-22 120
378	169	1.3	20.571	968	9326	890	9327	645	130	3.72E-03	GFL06 - 2A □□□ 090C22 MDFKA□□ 090-22 120
427	150	1.1	23.175	906	9326	906	9327	604	107	3.71E-03	GFL06 - 2A □□□ 090C22 MDFKA□□ 090-22 120
464	138	1.2	25.200	976	9326	976	9327	651	119	3.69E-03	GFL06 - 2A □□□ 090C22 MDFKA□□ 090-22 120
398	52	1.2	66.213	745	9324	745	9325	497	52	8.59E-04	GFL06 - 3A □□□ 071C22 MDFKA□□ 071-22 120
433	47	1.1	72.000	745	9324	745	9325	497	47	8.56E-04	GFL06 - 3A □□□ 071C22 MDFKA□□ 071-22 120
119	168	5.1	20.286	256	9324	374	9325	828	168	1.18E-03	GFL07 - 2A □□□ 071C22 MDFKA□□ 071-22 120
134	149	5.1	22.857	288	9324	421	9325	933	149	1.16E-03	GFL07 - 2A □□□ 071C22 MDFKA□□ 071-22 120
190	105	4.6	32.344	408	9324	596	9325	1048	105	9.99E-04	GFL07 - 2A □□□ 071C22 MDFKA□□ 071-22 120
215	94	4.6	36.444	460	9324	672	9325	1181	94	9.91E-04	GFL07 - 2A □□□ 071C22 MDFKA□□ 071-22 120
235	86	3.9	39.642	500	9324	731	9325	1093	86	9.55E-04	GFL07 - 2A □□□ 071C22 MDFKA□□ 071-22 120
265	76	3.9	44.667	563	9324	823	9325	1231	76	9.50E-04	GFL07 - 2A □□□ 071C22 MDFKA□□ 071-22 120
311	65	3.1	52.067	657	9324	960	9325	1127	65	9.08E-04	GFL07 - 2A □□□ 071C22 MDFKA□□ 071-22 120
351	58	3.1	58.667	740	9324	1082	9325	1270	58	9.05E-04	GFL07 - 2A □□□ 071C22 MDFKA□□ 071-22 120
380	54	2.6	63.190	797	9324	1165	9325	1145	54	8.87E-04	GFL07 - 2A □□□ 071C22 MDFKA□□ 071-22 120
427	48	2.8	71.200	898	9324	1313	9325	1280	48	8.86E-04	GFL07 - 2A □□□ 071C22 MDFKA□□ 071-22 120

Observe the notes for thermal dimensioning.

Selection tables - Shaft-mounted helical gearboxes

Forced ventilated asynchronous geared servo motors

M ₂ [Nm]	n ₂ trans [rpm]	c	i	M ₂ max short-time on geared motor at				M ₂ Gr gearbox c=1 n ₁ ≤ 1400 rpm [Nm]	n ₂ therm [rpm]	J _{GM} referred to motor shaft [kgm ²]	Servo shaft-mounted helical geared motor Dimensions on Page 4-82
				8 kHz		16 kHz					
				M ₂ max [Nm]	Type EVS	M ₂ max [Nm]	Type EVS				
485	43	1.7	79.875	1008	9324	1281	9325	854	43	8.67E-04	GFL07 - 2A □□□ 071C22 MDFKA□□ 071-22 120
547	38	1.6	90.000	1135	9324	1396	9325	930	38	8.66E-04	GFL07 - 2A □□□ 071C22 MDFKA□□ 071-22 120
199	91	5.5	17.920	515	9324	374	9324	1189	91	2.42E-03	GFL07 - 2A □□□ 080C22 MDFKA□□ 080-22 60
226	81	5.1	20.286	583	9324	423	9324	1233	81	2.27E-03	GFL07 - 2A □□□ 080C22 MDFKA□□ 080-22 60
256	72	4.5	22.857	656	9324	477	9324	1240	72	2.25E-03	GFL07 - 2A □□□ 080C22 MDFKA□□ 080-22 60
279	66	4.5	24.850	714	9324	518	9324	1295	66	2.18E-03	GFL07 - 2A □□□ 080C22 MDFKA□□ 080-22 60
317	58	3.8	28.000	804	9324	584	9324	1242	58	2.17E-03	GFL07 - 2A □□□ 080C22 MDFKA□□ 080-22 60
366	51	3.6	32.344	929	9324	675	9324	1358	51	2.09E-03	GFL07 - 2A □□□ 080C22 MDFKA□□ 080-22 60
416	45	2.9	36.444	1047	9324	760	9324	1248	45	2.08E-03	GFL07 - 2A □□□ 080C22 MDFKA□□ 080-22 60
452	41	3.0	39.642	1139	9324	827	9324	1378	41	2.05E-03	GFL07 - 2A □□□ 080C22 MDFKA□□ 080-22 60
512	37	2.4	44.667	1283	9324	932	9324	1258	37	2.04E-03	GFL07 - 2A □□□ 080C22 MDFKA□□ 080-22 60
599	31	2.2	52.067	1495	9324	1086	9324	1342	31	2.00E-03	GFL07 - 2A □□□ 080C22 MDFKA□□ 080-22 60
677	28	1.9	58.667	1685	9324	1224	9324	1270	28	2.00E-03	GFL07 - 2A □□□ 080C22 MDFKA□□ 080-22 60
731	26	1.7	63.190	1815	9324	1318	9324	1240	26	1.98E-03	GFL07 - 2A □□□ 080C22 MDFKA□□ 080-22 60
824	23	1.5	71.200	1920	9324	1485	9324	1280	23	1.98E-03	GFL07 - 2A □□□ 080C22 MDFKA□□ 080-22 60
64	540	5.2	6.400	182	9325	132	9325	463	466	2.90E-03	GFL07 - 2A □□□ 080C22 MDFKA□□ 080-22 120
97	356	5.6	9.714	276	9325	200	9325	757	300	2.72E-03	GFL07 - 2A □□□ 080C22 MDFKA□□ 080-22 120
142	243	5.6	14.200	404	9325	292	9325	1106	205	2.56E-03	GFL07 - 2A □□□ 080C22 MDFKA□□ 080-22 120
159	217	5.2	15.904	452	9325	327	9325	1150	187	2.45E-03	GFL07 - 2A □□□ 080C22 MDFKA□□ 080-22 120
180	193	4.8	17.920	509	9325	369	9325	1189	164	2.42E-03	GFL07 - 2A □□□ 080C22 MDFKA□□ 080-22 120
205	170	4.4	20.286	577	9325	417	9325	1233	166	2.27E-03	GFL07 - 2A □□□ 080C22 MDFKA□□ 080-22 120
232	151	3.9	22.857	650	9325	470	9325	1240	144	2.25E-03	GFL07 - 2A □□□ 080C22 MDFKA□□ 080-22 120
252	139	4.3	24.850	706	9325	511	9325	1295	139	2.18E-03	GFL07 - 2A □□□ 080C22 MDFKA□□ 080-22 120
285	123	3.6	28.000	796	9325	576	9325	1242	123	2.17E-03	GFL07 - 2A □□□ 080C22 MDFKA□□ 080-22 120
330	107	3.4	32.344	920	9325	665	9325	1358	107	2.09E-03	GFL07 - 2A □□□ 080C22 MDFKA□□ 080-22 120
375	95	2.8	36.444	1036	9325	750	9325	1248	95	2.08E-03	GFL07 - 2A □□□ 080C22 MDFKA□□ 080-22 120
407	87	2.9	39.642	1127	9325	815	9325	1378	87	2.05E-03	GFL07 - 2A □□□ 080C22 MDFKA□□ 080-22 120
462	77	2.3	44.667	1270	9325	919	9325	1258	77	2.04E-03	GFL07 - 2A □□□ 080C22 MDFKA□□ 080-22 120
539	66	2.1	52.067	1480	9325	1071	9325	1342	66	2.00E-03	GFL07 - 2A □□□ 080C22 MDFKA□□ 080-22 120
610	59	1.8	58.667	1668	9325	1207	9325	1270	59	2.00E-03	GFL07 - 2A □□□ 080C22 MDFKA□□ 080-22 120
658	55	1.6	63.190	1796	9325	1300	9325	1240	55	1.98E-03	GFL07 - 2A □□□ 080C22 MDFKA□□ 080-22 120
741	49	1.6	71.200	1920	9325	1465	9325	1280	49	1.98E-03	GFL07 - 2A □□□ 080C22 MDFKA□□ 080-22 120
67	502	4.8	3.350	186	9325	137	9325	349	502	5.56E-03	GFL07 - 2A □□□ 090C22 MDFKA□□ 090-22 60
93	362	4.8	4.643	258	9325	189	9325	483	362	4.80E-03	GFL07 - 2A □□□ 090C22 MDFKA□□ 090-22 60

Observe the notes for thermal dimensioning.

Selection tables - Shaft-mounted helical gearboxes

Forced ventilated asynchronous geared servo motors



M ₂ [Nm]	n _{2 trans} [rpm]	c	i	M _{2 max} short-time on geared motor at				M _{2 Gr} gearbox c=1 n ₁ ≤ 1400 rpm [Nm]	n _{2 therm} [rpm]	J _{GM} referred to motor shaft [kgm ²]	Servo shaft-mounted helical geared motor Dimensions on Page 4-82
				8 kHz		16 kHz					
				M _{2 max} [Nm]	Type EVS	M _{2 max} [Nm]	Type EVS				
103	326	4.8	5.159	286	9325	210	9325	537	326	4.71E-03	GFL07 - 2A □□□ 090C22 MDFKA□□ 090-22 60
114	295	4.8	5.695	316	9325	232	9325	592	295	5.41E-03	GFL07 - 2A □□□ 090C22 MDFKA□□ 090-22 60
130	263	3.9	6.400	355	9325	261	9325	541	263	4.58E-03	GFL07 - 2A □□□ 090C22 MDFKA□□ 090-22 60
143	235	4.8	7.150	397	9325	291	9325	744	235	4.79E-03	GFL07 - 2A □□□ 090C22 MDFKA□□ 090-22 60
167	202	4.8	8.324	462	9325	339	9325	866	202	4.91E-03	GFL07 - 2A □□□ 090C22 MDFKA□□ 090-22 60
188	179	4.8	9.379	521	9325	382	9325	976	179	4.80E-03	GFL07 - 2A □□□ 090C22 MDFKA□□ 090-22 60
196	173	4.2	9.714	539	9325	396	9325	885	173	4.40E-03	GFL07 - 2A □□□ 090C22 MDFKA□□ 090-22 60
232	146	4.3	11.538	640	9325	470	9325	1080	146	4.45E-03	GFL07 - 2A □□□ 090C22 MDFKA□□ 090-22 60
263	129	3.9	13.000	722	9325	530	9325	1089	129	4.40E-03	GFL07 - 2A □□□ 090C22 MDFKA□□ 090-22 60
288	118	3.7	14.200	788	9325	579	9325	1143	118	4.24E-03	GFL07 - 2A □□□ 090C22 MDFKA□□ 090-22 60
323	106	3.4	15.904	883	9325	648	9325	1179	106	4.13E-03	GFL07 - 2A □□□ 090C22 MDFKA□□ 090-22 60
366	94	3.1	17.920	995	9325	730	9325	1189	94	4.10E-03	GFL07 - 2A □□□ 090C22 MDFKA□□ 090-22 60
415	83	2.9	20.286	1126	9325	827	9325	1262	83	3.95E-03	GFL07 - 2A □□□ 090C22 MDFKA□□ 090-22 60
469	74	2.5	22.857	1269	9325	931	9325	1240	74	3.93E-03	GFL07 - 2A □□□ 090C22 MDFKA□□ 090-22 60
510	68	2.6	24.850	1379	9325	1013	9325	1337	68	3.86E-03	GFL07 - 2A □□□ 090C22 MDFKA□□ 090-22 60
577	60	2.1	28.000	1554	9325	1141	9325	1242	60	3.85E-03	GFL07 - 2A □□□ 090C22 MDFKA□□ 090-22 60
668	52	2.0	32.344	1795	9325	1318	9325	1370	52	3.77E-03	GFL07 - 2A □□□ 090C22 MDFKA□□ 090-22 60
755	46	1.6	36.444	1872	9325	1485	9325	1248	46	3.76E-03	GFL07 - 2A □□□ 090C22 MDFKA□□ 090-22 60
821	42	1.7	39.642	2067	9325	1615	9325	1378	42	3.73E-03	GFL07 - 2A □□□ 090C22 MDFKA□□ 090-22 60
928	38	1.4	44.667	1887	9325	1820	9325	1258	38	3.72E-03	GFL07 - 2A □□□ 090C22 MDFKA□□ 090-22 60
60	1039	4.3	3.350	165	9326	145	9327	349	631	5.56E-03	GFL07 - 2A □□□ 090C22 MDFKA□□ 090-22 120
83	750	4.3	4.643	228	9326	201	9327	483	524	4.80E-03	GFL07 - 2A □□□ 090C22 MDFKA□□ 090-22 120
92	675	4.3	5.159	254	9326	223	9327	537	410	4.71E-03	GFL07 - 2A □□□ 090C22 MDFKA□□ 090-22 120
101	611	4.3	5.695	280	9326	246	9327	592	371	5.41E-03	GFL07 - 2A □□□ 090C22 MDFKA□□ 090-22 120
115	544	3.5	6.400	315	9326	277	9327	541	429	4.58E-03	GFL07 - 2A □□□ 090C22 MDFKA□□ 090-22 120
127	487	4.3	7.150	352	9326	309	9327	744	341	4.79E-03	GFL07 - 2A □□□ 090C22 MDFKA□□ 090-22 120
148	418	4.3	8.324	410	9326	360	9327	866	254	4.91E-03	GFL07 - 2A □□□ 090C22 MDFKA□□ 090-22 120
167	371	4.3	9.379	461	9326	406	9327	976	225	4.80E-03	GFL07 - 2A □□□ 090C22 MDFKA□□ 090-22 120
174	358	3.7	9.714	478	9326	420	9327	885	276	4.40E-03	GFL07 - 2A □□□ 090C22 MDFKA□□ 090-22 120
206	302	3.8	11.538	568	9326	499	9327	1080	206	4.45E-03	GFL07 - 2A □□□ 090C22 MDFKA□□ 090-22 120
234	268	3.4	13.000	640	9326	563	9327	1089	179	4.40E-03	GFL07 - 2A □□□ 090C22 MDFKA□□ 090-22 120
256	245	3.3	14.200	699	9326	615	9327	1143	184	4.24E-03	GFL07 - 2A □□□ 090C22 MDFKA□□ 090-22 120
287	219	3.0	15.904	782	9326	688	9327	1179	168	4.13E-03	GFL07 - 2A □□□ 090C22 MDFKA□□ 090-22 120
324	194	2.7	17.920	882	9326	775	9327	1189	146	4.10E-03	GFL07 - 2A □□□ 090C22 MDFKA□□ 090-22 120

Observe the notes for thermal dimensioning.

Selection tables - Shaft-mounted helical gearboxes

Forced ventilated asynchronous geared servo motors

M ₂ [Nm]	n _{2 trans} [rpm]	c	i	M _{2 max} short-time on geared motor at				M _{2 Gr} gearbox c=1 n ₁ ≤ 1400 rpm [Nm]	n _{2 therm} [rpm]	J _{GM} referred to motor shaft [kgm ²]	Servo shaft-mounted helical geared motor Dimensions on Page 4-82
				8 kHz		16 kHz					
				M _{2 max} [Nm]	Type EVS	M _{2 max} [Nm]	Type EVS				
368	172	2.6	20.286	998	9326	878	9327	1262	149	3.95E-03	GFL07 - 2A □□□ 090C22 MDFKA□□ 090-22 120
416	152	2.2	22.857	1124	9326	989	9327	1240	128	3.93E-03	GFL07 - 2A □□□ 090C22 MDFKA□□ 090-22 120
451	140	2.5	24.850	1222	9326	1075	9327	1337	125	3.86E-03	GFL07 - 2A □□□ 090C22 MDFKA□□ 090-22 120
510	124	2.1	28.000	1377	9326	1212	9327	1242	111	3.85E-03	GFL07 - 2A □□□ 090C22 MDFKA□□ 090-22 120
590	108	2.0	32.344	1591	9326	1400	9327	1370	96	3.77E-03	GFL07 - 2A □□□ 090C22 MDFKA□□ 090-22 120
668	95	1.6	36.444	1793	9326	1577	9327	1248	85	3.76E-03	GFL07 - 2A □□□ 090C22 MDFKA□□ 090-22 120
726	88	1.6	39.642	1950	9326	1715	9327	1378	78	3.73E-03	GFL07 - 2A □□□ 090C22 MDFKA□□ 090-22 120
821	78	1.3	44.667	1887	9326	1887	9327	1258	70	3.72E-03	GFL07 - 2A □□□ 090C22 MDFKA□□ 090-22 120
113	508	5.2	3.350	163	9325	197	9326	639	508	9.16E-03	GFL07 - 2A □□□ 100C22 MDFKA□□ 100-22 60
159	366	3.8	4.643	226	9325	273	9326	653	366	8.40E-03	GFL07 - 2A □□□ 100C22 MDFKA□□ 100-22 60
175	330	4.5	5.159	251	9325	303	9326	850	330	8.31E-03	GFL07 - 2A □□□ 100C22 MDFKA□□ 100-22 60
194	299	4.4	5.695	277	9325	334	9326	914	299	9.01E-03	GFL07 - 2A □□□ 100C22 MDFKA□□ 100-22 60
221	266	2.8	6.400	311	9325	376	9326	662	266	8.18E-03	GFL07 - 2A □□□ 100C22 MDFKA□□ 100-22 60
245	238	3.5	7.150	348	9325	420	9326	918	238	8.39E-03	GFL07 - 2A □□□ 100C22 MDFKA□□ 100-22 60
286	204	3.2	8.324	405	9325	489	9326	993	204	8.51E-03	GFL07 - 2A □□□ 100C22 MDFKA□□ 100-22 60
324	181	2.9	9.379	456	9325	551	9326	999	181	8.40E-03	GFL07 - 2A □□□ 100C22 MDFKA□□ 100-22 60
336	175	2.7	9.714	472	9325	570	9326	969	175	8.00E-03	GFL07 - 2A □□□ 100C22 MDFKA□□ 100-22 60
400	147	2.6	11.538	561	9325	677	9326	1080	147	8.05E-03	GFL07 - 2A □□□ 100C22 MDFKA□□ 100-22 60
452	131	2.3	13.000	632	9325	763	9326	1089	131	8.00E-03	GFL07 - 2A □□□ 100C22 MDFKA□□ 100-22 60
494	120	2.2	14.200	690	9325	834	9326	1143	120	7.84E-03	GFL07 - 2A □□□ 100C22 MDFKA□□ 100-22 60
554	107	2.0	15.904	773	9325	934	9326	1179	107	7.73E-03	GFL07 - 2A □□□ 100C22 MDFKA□□ 100-22 60
626	95	1.8	17.920	871	9325	1052	9326	1189	95	7.70E-03	GFL07 - 2A □□□ 100C22 MDFKA□□ 100-22 60
709	84	1.7	20.286	986	9325	1191	9326	1262	84	7.55E-03	GFL07 - 2A □□□ 100C22 MDFKA□□ 100-22 60
801	74	1.5	22.857	1111	9325	1342	9326	1240	74	7.53E-03	GFL07 - 2A □□□ 100C22 MDFKA□□ 100-22 60
870	68	1.5	24.850	1208	9325	1459	9326	1337	68	7.46E-03	GFL07 - 2A □□□ 100C22 MDFKA□□ 100-22 60
983	61	1.3	28.000	1361	9325	1644	9326	1242	61	7.45E-03	GFL07 - 2A □□□ 100C22 MDFKA□□ 100-22 60
113	1048	4.1	3.350	220	9327	208	9328	639	626	9.16E-03	GFL07 - 2A □□□ 100C22 MDFKA□□ 100-22 120
159	756	3.0	4.643	305	9327	288	9328	653	487	8.40E-03	GFL07 - 2A □□□ 100C22 MDFKA□□ 100-22 120
175	680	3.6	5.159	338	9327	320	9328	850	393	8.31E-03	GFL07 - 2A □□□ 100C22 MDFKA□□ 100-22 120
194	616	3.5	5.695	374	9327	354	9328	914	354	9.01E-03	GFL07 - 2A □□□ 100C22 MDFKA□□ 100-22 120
221	548	2.2	6.400	420	9327	397	9328	662	383	8.18E-03	GFL07 - 2A □□□ 100C22 MDFKA□□ 100-22 120
245	491	2.8	7.150	469	9327	444	9328	918	310	8.39E-03	GFL07 - 2A □□□ 100C22 MDFKA□□ 100-22 120
286	422	2.6	8.324	546	9327	517	9328	993	225	8.51E-03	GFL07 - 2A □□□ 100C22 MDFKA□□ 100-22 120
323	374	2.3	9.379	615	9327	582	9328	999	194	8.40E-03	GFL07 - 2A □□□ 100C22 MDFKA□□ 100-22 120

Observe the notes for thermal dimensioning.

Selection tables - Shaft-mounted helical gearboxes

Forced ventilated asynchronous geared servo motors



M ₂ [Nm]	n _{2 trans} [rpm]	c	i	M _{2 max} short-time on geared motor at				M _{2 Gr} gearbox c=1 n ₁ ≤ 1400 rpm [Nm]	n _{2 therm} [rpm]	J _{GM} referred to motor shaft [kgm ²]	Servo shaft-mounted helical geared motor Dimensions on Page 4-82
				8 kHz		16 kHz					
				M _{2 max} [Nm]	Type EVS	M _{2 max} [Nm]	Type EVS				
335	361	2.2	9.714	637	9327	603	9328	969	243	8.00E-03	GFL07 - 2A □□□ 100C22 MDFKA□□ 100-22 120
399	304	2.0	11.538	757	9327	716	9328	1080	178	8.05E-03	GFL07 - 2A □□□ 100C22 MDFKA□□ 100-22 120
450	270	1.8	13.000	853	9327	807	9328	1089	149	8.00E-03	GFL07 - 2A □□□ 100C22 MDFKA□□ 100-22 120
492	247	1.7	14.200	931	9327	882	9328	1143	151	7.84E-03	GFL07 - 2A □□□ 100C22 MDFKA□□ 100-22 120
552	221	1.6	15.904	1043	9327	988	9328	1179	135	7.73E-03	GFL07 - 2A □□□ 100C22 MDFKA□□ 100-22 120
623	196	1.4	17.920	1175	9327	1113	9328	1189	113	7.70E-03	GFL07 - 2A □□□ 100C22 MDFKA□□ 100-22 120
706	173	1.3	20.286	1331	9327	1260	9328	1262	113	7.55E-03	GFL07 - 2A □□□ 100C22 MDFKA□□ 100-22 120
797	154	1.2	22.857	1499	9327	1419	9328	1240	94	7.53E-03	GFL07 - 2A □□□ 100C22 MDFKA□□ 100-22 120
865	141	1.3	24.850	1630	9327	1543	9328	1337	99	7.46E-03	GFL07 - 2A □□□ 100C22 MDFKA□□ 100-22 120
977	125	1.1	28.000	1836	9327	1739	9328	1242	84	7.45E-03	GFL07 - 2A □□□ 100C22 MDFKA□□ 100-22 120
195	510	3.1	3.350	338	9326	445	9328	639	510	2.00E-02	GFL07 - 2A □□□ 112C22 MDFKA□□ 112-22 60
273	368	2.3	4.643	469	9326	617	9328	653	368	1.92E-02	GFL07 - 2A □□□ 112C22 MDFKA□□ 112-22 60
302	331	2.6	5.159	521	9326	685	9328	850	331	1.91E-02	GFL07 - 2A □□□ 112C22 MDFKA□□ 112-22 60
334	300	2.6	5.695	575	9326	756	9328	914	300	1.98E-02	GFL07 - 2A □□□ 112C22 MDFKA□□ 112-22 60
379	267	1.7	6.400	646	9326	850	9328	662	267	1.90E-02	GFL07 - 2A □□□ 112C22 MDFKA□□ 112-22 60
421	239	2.1	7.150	722	9326	950	9328	918	239	1.92E-02	GFL07 - 2A □□□ 112C22 MDFKA□□ 112-22 60
491	205	1.9	8.324	841	9326	1106	9328	993	205	1.93E-02	GFL07 - 2A □□□ 112C22 MDFKA□□ 112-22 60
555	182	1.7	9.379	947	9326	1246	9328	999	171	1.92E-02	GFL07 - 2A □□□ 112C22 MDFKA□□ 112-22 60
575	176	1.6	9.714	981	9326	1290	9328	969	176	1.88E-02	GFL07 - 2A □□□ 112C22 MDFKA□□ 112-22 60
684	148	1.5	11.538	1165	9326	1533	9328	1080	148	1.89E-02	GFL07 - 2A □□□ 112C22 MDFKA□□ 112-22 60
772	132	1.3	13.000	1313	9326	1633	9328	1089	126	1.88E-02	GFL07 - 2A □□□ 112C22 MDFKA□□ 112-22 60
843	120	1.3	14.200	1434	9326	1715	9328	1143	120	1.86E-02	GFL07 - 2A □□□ 112C22 MDFKA□□ 112-22 60
946	108	1.2	15.904	1606	9326	1768	9328	1179	108	1.85E-02	GFL07 - 2A □□□ 112C22 MDFKA□□ 112-22 60
1067	95	1.1	17.920	1784	9326	1784	9328	1189	95	1.85E-02	GFL07 - 2A □□□ 112C22 MDFKA□□ 112-22 60
176	1051	2.7	3.350	350	9328	434	9330	639	567	2.00E-02	GFL07 - 2A □□□ 112C22 MDFKA□□ 112-22 120
245	758	2.0	4.643	485	9328	602	9330	653	434	1.92E-02	GFL07 - 2A □□□ 112C22 MDFKA□□ 112-22 120
272	682	2.3	5.159	539	9328	669	9330	850	354	1.91E-02	GFL07 - 2A □□□ 112C22 MDFKA□□ 112-22 120
300	618	2.3	5.695	595	9328	738	9330	914	319	1.98E-02	GFL07 - 2A □□□ 112C22 MDFKA□□ 112-22 120
340	550	1.5	6.400	669	9328	830	9330	662	315	1.90E-02	GFL07 - 2A □□□ 112C22 MDFKA□□ 112-22 120
378	492	1.8	7.150	747	9328	927	9330	918	271	1.92E-02	GFL07 - 2A □□□ 112C22 MDFKA□□ 112-22 120
441	423	1.7	8.324	870	9328	1079	9330	993	191	1.93E-02	GFL07 - 2A □□□ 112C22 MDFKA□□ 112-22 120
498	375	1.5	9.379	980	9328	1216	9330	999	159	1.92E-02	GFL07 - 2A □□□ 112C22 MDFKA□□ 112-22 120
516	362	1.4	9.714	1015	9328	1259	9330	969	195	1.88E-02	GFL07 - 2A □□□ 112C22 MDFKA□□ 112-22 120
614	305	1.3	11.538	1206	9328	1496	9330	1080	141	1.89E-02	GFL07 - 2A □□□ 112C22 MDFKA□□ 112-22 120

Observe the notes for thermal dimensioning.

Selection tables - Shaft-mounted helical gearboxes

Forced ventilated asynchronous geared servo motors

M ₂ [Nm]	n ₂ trans [rpm]	c	i	M ₂ max short-time on geared motor at				M ₂ Gr gearbox c=1 n ₁ ≤ 1400 rpm [Nm]	n ₂ therm [rpm]	J _{GM} referred to motor shaft [kgm ²]	Servo shaft-mounted helical geared motor Dimensions on Page 4-82
				8 kHz		16 kHz					
				M ₂ max [Nm]	Type EVS	M ₂ max [Nm]	Type EVS				
692	271	1.2	13.000	1358	9328	1633	9330	1089	118	1.88E-02	GFL07 - 2A □□□ 112C22 MDFKA□□ 112-22 120
757	248	1.1	14.200	1484	9328	1715	9330	1143	120	1.86E-02	GFL07 - 2A □□□ 112C22 MDFKA□□ 112-22 120
848	221	1.0	15.904	1662	9328	1768	9330	1179	110	1.85E-02	GFL07 - 2A □□□ 112C22 MDFKA□□ 112-22 120
388	52	2.2	65.306	811	9324	1186	9325	883	52	9.09E-04	GFL07 - 3A □□□ 071C22 MDFKA□□ 071-22 120
432	47	1.9	72.452	900	9324	1303	9325	869	47	9.19E-04	GFL07 - 3A □□□ 071C22 MDFKA□□ 071-22 120
487	42	1.9	81.636	1014	9324	1468	9325	979	42	9.18E-04	GFL07 - 3A □□□ 071C22 MDFKA□□ 071-22 120
553	37	1.7	92.413	1148	9324	1441	9325	961	37	8.91E-04	GFL07 - 3A □□□ 071C22 MDFKA□□ 071-22 120
623	33	1.7	104.127	1294	9324	1624	9325	1082	33	8.90E-04	GFL07 - 3A □□□ 071C22 MDFKA□□ 071-22 120
678	30	1.5	113.206	1406	9324	1559	9325	1040	30	8.75E-04	GFL07 - 3A □□□ 071C22 MDFKA□□ 071-22 120
764	27	1.5	127.556	1585	9324	1757	9325	1171	27	8.74E-04	GFL07 - 3A □□□ 071C22 MDFKA□□ 071-22 120
885	23	1.2	147.347	1710	9324	1710	9325	1140	23	8.57E-04	GFL07 - 3A □□□ 071C22 MDFKA□□ 071-22 120
998	21	1.2	166.025	1872	9324	1872	9325	1248	21	8.57E-04	GFL07 - 3A □□□ 071C22 MDFKA□□ 071-22 120
1103	19	1.1	183.285	1853	9324	1853	9325	1236	19	8.49E-04	GFL07 - 3A □□□ 071C22 MDFKA□□ 071-22 120
748	25	1.2	65.306	1324	9324	1324	9324	883	25	2.00E-03	GFL07 - 3A □□□ 080C22 MDFKA□□ 080-22 60
830	23	1.0	72.452	1303	9324	1303	9324	869	23	2.01E-03	GFL07 - 3A □□□ 080C22 MDFKA□□ 080-22 60
936	20	1.0	81.636	1468	9324	1468	9324	979	20	2.01E-03	GFL07 - 3A □□□ 080C22 MDFKA□□ 080-22 60
672	53	1.2	65.306	1324	9325	1323	9325	883	53	2.00E-03	GFL07 - 3A □□□ 080C22 MDFKA□□ 080-22 120
747	48	1.1	72.452	1303	9325	1303	9325	869	47	2.01E-03	GFL07 - 3A □□□ 080C22 MDFKA□□ 080-22 120
842	42	1.1	81.636	1468	9325	1468	9325	979	42	2.01E-03	GFL07 - 3A □□□ 080C22 MDFKA□□ 080-22 120
367	50	4.5	32.667	938	9324	681	9324	1699	50	2.46E-03	GFL09 - 2A □□□ 080C22 MDFKA□□ 080-22 60
413	44	4.5	36.815	1057	9324	768	9324	1915	44	2.44E-03	GFL09 - 2A □□□ 080C22 MDFKA□□ 080-22 60
448	41	3.8	39.667	1139	9324	827	9324	1761	41	2.33E-03	GFL09 - 2A □□□ 080C22 MDFKA□□ 080-22 60
505	37	3.8	44.704	1284	9324	933	9324	1985	37	2.31E-03	GFL09 - 2A □□□ 080C22 MDFKA□□ 080-22 60
585	32	3.1	51.333	1474	9324	1071	9324	1825	32	2.18E-03	GFL09 - 2A □□□ 080C22 MDFKA□□ 080-22 60
659	28	3.1	57.852	1661	9324	1207	9324	2057	28	2.17E-03	GFL09 - 2A □□□ 080C22 MDFKA□□ 080-22 60
714	26	2.6	62.300	1789	9324	1300	9324	1854	26	2.11E-03	GFL09 - 2A □□□ 080C22 MDFKA□□ 080-22 60
804	23	2.6	70.211	2016	9324	1465	9324	2090	23	2.10E-03	GFL09 - 2A □□□ 080C22 MDFKA□□ 080-22 60
910	21	1.8	78.750	2262	9324	1643	9324	1631	21	2.05E-03	GFL09 - 2A □□□ 080C22 MDFKA□□ 080-22 60
1026	18	1.7	88.750	2549	9324	1851	9324	1781	18	2.04E-03	GFL09 - 2A □□□ 080C22 MDFKA□□ 080-22 60
196	176	5.6	19.667	559	9325	405	9325	1524	148	3.13E-03	GFL09 - 2A □□□ 080C22 MDFKA□□ 080-22 120
221	156	5.6	22.164	630	9325	456	9325	1717	131	3.05E-03	GFL09 - 2A □□□ 080C22 MDFKA□□ 080-22 120
331	106	4.3	32.667	929	9325	672	9325	1699	106	2.46E-03	GFL09 - 2A □□□ 080C22 MDFKA□□ 080-22 120
373	94	4.3	36.815	1047	9325	757	9325	1915	94	2.44E-03	GFL09 - 2A □□□ 080C22 MDFKA□□ 080-22 120
404	87	3.6	39.667	1128	9325	816	9325	1761	87	2.33E-03	GFL09 - 2A □□□ 080C22 MDFKA□□ 080-22 120

Observe the notes for thermal dimensioning.

Selection tables - Shaft-mounted helical gearboxes

Forced ventilated asynchronous geared servo motors



M ₂ [Nm]	n _{2 trans} [rpm]	c	i	M _{2 max} short-time on geared motor at				M _{2 Gr} gearbox c=1 n ₁ ≤ 1400 rpm [Nm]	n _{2 therm} [rpm]	J _{GM} referred to motor shaft [kgm ²]	Servo shaft-mounted helical geared motor Dimensions on Page 4-82
				8 kHz		16 kHz					
				M _{2 max} [Nm]	Type EVS	M _{2 max} [Nm]	Type EVS				
456	77	3.6	44.704	1271	9325	920	9325	1985	77	2.31E-03	GFL09 - 2A □□□ 080C22 MDFKA□□ 080-22 120
527	67	2.9	51.333	1459	9325	1056	9325	1825	67	2.18E-03	GFL09 - 2A □□□ 080C22 MDFKA□□ 080-22 120
594	60	2.9	57.852	1645	9325	1190	9325	2057	60	2.17E-03	GFL09 - 2A □□□ 080C22 MDFKA□□ 080-22 120
643	55	2.4	62.300	1771	9325	1281	9325	1854	55	2.11E-03	GFL09 - 2A □□□ 080C22 MDFKA□□ 080-22 120
723	49	2.7	70.211	1996	9325	1444	9325	2090	49	2.10E-03	GFL09 - 2A □□□ 080C22 MDFKA□□ 080-22 120
818	44	1.9	78.750	2239	9325	1620	9325	1631	44	2.05E-03	GFL09 - 2A □□□ 080C22 MDFKA□□ 080-22 120
922	39	1.8	88.750	2523	9325	1826	9325	1781	39	2.04E-03	GFL09 - 2A □□□ 080C22 MDFKA□□ 080-22 120
180	186	5.3	9.010	500	9325	367	9325	1037	186	6.28E-03	GFL09 - 2A □□□ 090C22 MDFKA□□ 090-22 60
195	171	5.3	9.799	544	9325	399	9325	1128	171	6.13E-03	GFL09 - 2A □□□ 090C22 MDFKA□□ 090-22 60
224	150	4.8	11.167	620	9325	455	9325	1156	150	5.55E-03	GFL09 - 2A □□□ 090C22 MDFKA□□ 090-22 60
286	117	5.3	14.333	796	9325	584	9325	1650	117	5.60E-03	GFL09 - 2A □□□ 090C22 MDFKA□□ 090-22 60
327	103	4.8	16.333	906	9325	666	9325	1692	103	5.15E-03	GFL09 - 2A □□□ 090C22 MDFKA□□ 090-22 60
369	91	4.8	18.407	1022	9325	750	9325	1906	91	5.06E-03	GFL09 - 2A □□□ 090C22 MDFKA□□ 090-22 60
397	85	4.2	19.667	1091	9325	801	9325	1784	85	4.81E-03	GFL09 - 2A □□□ 090C22 MDFKA□□ 090-22 60
447	76	4.2	22.164	1230	9325	903	9325	2010	76	4.73E-03	GFL09 - 2A □□□ 090C22 MDFKA□□ 090-22 60
489	70	3.7	24.111	1338	9325	983	9325	1876	70	4.50E-03	GFL09 - 2A □□□ 090C22 MDFKA□□ 090-22 60
551	62	3.7	27.173	1508	9325	1107	9325	2114	62	4.46E-03	GFL09 - 2A □□□ 090C22 MDFKA□□ 090-22 60
668	51	2.9	32.667	1813	9325	1331	9325	1990	51	4.14E-03	GFL09 - 2A □□□ 090C22 MDFKA□□ 090-22 60
753	46	2.9	36.815	2043	9325	1500	9325	2242	46	4.12E-03	GFL09 - 2A □□□ 090C22 MDFKA□□ 090-22 60
815	42	2.5	39.667	2201	9325	1616	9325	2061	42	4.01E-03	GFL09 - 2A □□□ 090C22 MDFKA□□ 090-22 60
918	38	2.5	44.704	2481	9325	1822	9325	2323	38	3.99E-03	GFL09 - 2A □□□ 090C22 MDFKA□□ 090-22 60
1060	33	2.0	51.333	2849	9325	2092	9325	2136	33	3.86E-03	GFL09 - 2A □□□ 090C22 MDFKA□□ 090-22 60
1194	29	2.0	57.852	3211	9325	2357	9325	2407	29	3.85E-03	GFL09 - 2A □□□ 090C22 MDFKA□□ 090-22 60
1291	27	1.7	62.300	3255	9325	2539	9325	2170	27	3.79E-03	GFL09 - 2A □□□ 090C22 MDFKA□□ 090-22 60
1454	24	1.7	70.211	3668	9325	2861	9325	2445	24	3.78E-03	GFL09 - 2A □□□ 090C22 MDFKA□□ 090-22 60
160	386	4.7	9.010	443	9326	390	9327	1037	252	6.28E-03	GFL09 - 2A □□□ 090C22 MDFKA□□ 090-22 120
174	355	4.7	9.799	482	9326	424	9327	1128	232	6.13E-03	GFL09 - 2A □□□ 090C22 MDFKA□□ 090-22 120
199	312	4.2	11.167	549	9326	483	9327	1156	218	5.55E-03	GFL09 - 2A □□□ 090C22 MDFKA□□ 090-22 120
254	243	4.7	14.333	705	9326	620	9327	1650	158	5.60E-03	GFL09 - 2A □□□ 090C22 MDFKA□□ 090-22 120
291	213	4.2	16.333	803	9326	707	9327	1692	149	5.15E-03	GFL09 - 2A □□□ 090C22 MDFKA□□ 090-22 120
328	189	4.2	18.407	906	9326	797	9327	1906	132	5.06E-03	GFL09 - 2A □□□ 090C22 MDFKA□□ 090-22 120
352	177	3.7	19.667	967	9326	851	9327	1784	136	4.81E-03	GFL09 - 2A □□□ 090C22 MDFKA□□ 090-22 120
397	157	3.7	22.164	1090	9326	959	9327	2010	121	4.73E-03	GFL09 - 2A □□□ 090C22 MDFKA□□ 090-22 120
432	144	3.6	24.111	1186	9326	1043	9327	1876	120	4.50E-03	GFL09 - 2A □□□ 090C22 MDFKA□□ 090-22 120

Observe the notes for thermal dimensioning.

Selection tables - Shaft-mounted helical gearboxes

Forced ventilated asynchronous geared servo motors

M ₂ [Nm]	n ₂ trans [rpm]	c	i	M ₂ max short-time on geared motor at				M ₂ Gr gearbox c=1 n ₁ ≤ 1400 rpm [Nm]	n ₂ therm [rpm]	J _{GM} referred to motor shaft [kgm ²]	Servo shaft-mounted helical geared motor Dimensions on Page 4-82
				8 kHz		16 kHz					
				M ₂ max [Nm]	Type EVS	M ₂ max [Nm]	Type EVS				
487	128	3.6	27.173	1337	9326	1176	9327	2114	106	4.46E-03	GFL09 - 2A □□□ 090C22 MDFKA□□ 090-22 120
591	107	2.8	32.667	1607	9326	1414	9327	1990	95	4.14E-03	GFL09 - 2A □□□ 090C22 MDFKA□□ 090-22 120
666	95	2.8	36.815	1811	9326	1593	9327	2242	85	4.12E-03	GFL09 - 2A □□□ 090C22 MDFKA□□ 090-22 120
721	88	2.4	39.667	1951	9326	1717	9327	2061	78	4.01E-03	GFL09 - 2A □□□ 090C22 MDFKA□□ 090-22 120
812	78	2.4	44.704	2199	9326	1934	9327	2323	70	3.99E-03	GFL09 - 2A □□□ 090C22 MDFKA□□ 090-22 120
937	68	1.9	51.333	2525	9326	2221	9327	2136	61	3.86E-03	GFL09 - 2A □□□ 090C22 MDFKA□□ 090-22 120
1056	60	1.9	57.852	2846	9326	2503	9327	2407	54	3.85E-03	GFL09 - 2A □□□ 090C22 MDFKA□□ 090-22 120
1141	56	1.6	62.300	3065	9326	2696	9327	2170	50	3.79E-03	GFL09 - 2A □□□ 090C22 MDFKA□□ 090-22 120
1284	50	1.8	70.211	3454	9326	3038	9327	2445	44	3.78E-03	GFL09 - 2A □□□ 090C22 MDFKA□□ 090-22 120
375	152	5.6	11.167	543	9325	656	9326	2303	152	9.15E-03	GFL09 - 2A □□□ 100C22 MDFKA□□ 100-22 60
416	138	4.9	12.307	598	9325	722	9326	2223	138	9.96E-03	GFL09 - 2A □□□ 100C22 MDFKA□□ 100-22 60
487	119	4.5	14.333	697	9325	841	9326	2374	119	9.20E-03	GFL09 - 2A □□□ 100C22 MDFKA□□ 100-22 60
557	104	4.1	16.333	794	9325	959	9326	2461	104	8.75E-03	GFL09 - 2A □□□ 100C22 MDFKA□□ 100-22 60
630	92	3.7	18.407	895	9325	1081	9326	2480	92	8.66E-03	GFL09 - 2A □□□ 100C22 MDFKA□□ 100-22 60
674	86	3.5	19.667	956	9325	1154	9326	2563	86	8.41E-03	GFL09 - 2A □□□ 100C22 MDFKA□□ 100-22 60
763	77	3.2	22.164	1077	9325	1301	9326	2612	77	8.33E-03	GFL09 - 2A □□□ 100C22 MDFKA□□ 100-22 60
830	71	3.2	24.111	1172	9325	1415	9326	2722	71	8.10E-03	GFL09 - 2A □□□ 100C22 MDFKA□□ 100-22 60
938	63	2.9	27.173	1321	9325	1595	9326	2767	63	8.06E-03	GFL09 - 2A □□□ 100C22 MDFKA□□ 100-22 60
1132	52	2.6	32.667	1588	9325	1918	9326	2990	52	7.74E-03	GFL09 - 2A □□□ 100C22 MDFKA□□ 100-22 60
1279	46	2.3	36.815	1790	9325	2161	9326	3018	46	7.72E-03	GFL09 - 2A □□□ 100C22 MDFKA□□ 100-22 60
1379	43	2.2	39.667	1928	9325	2328	9326	3107	43	7.61E-03	GFL09 - 2A □□□ 100C22 MDFKA□□ 100-22 60
1559	38	1.9	44.704	2173	9325	2624	9326	3027	38	7.59E-03	GFL09 - 2A □□□ 100C22 MDFKA□□ 100-22 60
229	511	5.2	6.864	450	9327	426	9328	1662	298	1.13E-02	GFL09 - 2A □□□ 100C22 MDFKA□□ 100-22 120
249	470	5.2	7.466	490	9327	464	9328	1807	274	1.11E-02	GFL09 - 2A □□□ 100C22 MDFKA□□ 100-22 120
302	390	4.9	9.010	591	9327	559	9328	2040	254	9.88E-03	GFL09 - 2A □□□ 100C22 MDFKA□□ 100-22 120
329	358	4.9	9.799	643	9327	609	9328	2219	233	9.73E-03	GFL09 - 2A □□□ 100C22 MDFKA□□ 100-22 120
376	314	4.4	11.167	732	9327	693	9328	2303	219	9.15E-03	GFL09 - 2A □□□ 100C22 MDFKA□□ 100-22 120
417	285	3.9	12.307	807	9327	764	9328	2223	156	9.96E-03	GFL09 - 2A □□□ 100C22 MDFKA□□ 100-22 120
487	245	3.6	14.333	940	9327	890	9328	2374	149	9.20E-03	GFL09 - 2A □□□ 100C22 MDFKA□□ 100-22 120
557	215	3.2	16.333	1071	9327	1014	9328	2461	140	8.75E-03	GFL09 - 2A □□□ 100C22 MDFKA□□ 100-22 120
630	191	2.9	18.407	1207	9327	1143	9328	2480	122	8.66E-03	GFL09 - 2A □□□ 100C22 MDFKA□□ 100-22 120
674	178	2.8	19.667	1290	9327	1221	9328	2563	125	8.41E-03	GFL09 - 2A □□□ 100C22 MDFKA□□ 100-22 120
762	158	2.5	22.164	1454	9327	1376	9328	2612	110	8.33E-03	GFL09 - 2A □□□ 100C22 MDFKA□□ 100-22 120
827	146	2.8	24.111	1581	9327	1497	9328	2722	102	8.10E-03	GFL09 - 2A □□□ 100C22 MDFKA□□ 100-22 120

Observe the notes for thermal dimensioning.

Selection tables - Shaft-mounted helical gearboxes

Forced ventilated asynchronous geared servo motors



M ₂ [Nm]	n _{2 trans} [rpm]	c	i	M _{2 max} short-time on geared motor at				M _{2 Gr} gearbox c=1 n ₁ ≤ 1400 rpm [Nm]	n _{2 therm} [rpm]	J _{GM} referred to motor shaft [kgm ²]	Servo shaft-mounted helical geared motor Dimensions on Page 4-82
				8 kHz		16 kHz					
				M _{2 max} [Nm]	Type EVS	M _{2 max} [Nm]	Type EVS				
934	129	2.5	27.173	1782	9327	1687	9328	2767	90	8.06E-03	GFL09 - 2A □□□ 100C22 MDFKA□□ 100-22 120
1126	107	2.2	32.667	2143	9327	2028	9328	2990	75	7.74E-03	GFL09 - 2A □□□ 100C22 MDFKA□□ 100-22 120
1273	95	2.0	36.815	2415	9327	2286	9328	3018	67	7.72E-03	GFL09 - 2A □□□ 100C22 MDFKA□□ 100-22 120
1372	88	1.9	39.667	2602	9327	2463	9328	3107	62	7.61E-03	GFL09 - 2A □□□ 100C22 MDFKA□□ 100-22 120
1551	79	1.7	44.704	2932	9327	2776	9328	3027	55	7.59E-03	GFL09 - 2A □□□ 100C22 MDFKA□□ 100-22 120
393	249	4.9	6.864	693	9326	912	9328	2089	249	2.21E-02	GFL09 - 2A □□□ 112C22 MDFKA□□ 112-22 60
428	229	4.6	7.466	754	9326	992	9328	2156	229	2.19E-02	GFL09 - 2A □□□ 112C22 MDFKA□□ 112-22 60
520	190	4.0	9.010	910	9326	1197	9328	2230	190	2.07E-02	GFL09 - 2A □□□ 112C22 MDFKA□□ 112-22 60
567	175	3.8	9.799	990	9326	1302	9328	2310	175	2.05E-02	GFL09 - 2A □□□ 112C22 MDFKA□□ 112-22 60
649	153	3.3	11.167	1128	9326	1483	9328	2303	153	2.00E-02	GFL09 - 2A □□□ 112C22 MDFKA□□ 112-22 60
719	139	2.9	12.307	1243	9326	1635	9328	2223	139	2.08E-02	GFL09 - 2A □□□ 112C22 MDFKA□□ 112-22 60
839	119	2.7	14.333	1448	9326	1904	9328	2374	119	2.00E-02	GFL09 - 2A □□□ 112C22 MDFKA□□ 112-22 60
959	105	2.4	16.333	1650	9326	2170	9328	2461	105	1.96E-02	GFL09 - 2A □□□ 112C22 MDFKA□□ 112-22 60
1083	93	2.2	18.407	1859	9326	2445	9328	2480	93	1.95E-02	GFL09 - 2A □□□ 112C22 MDFKA□□ 112-22 60
1158	87	2.1	19.667	1986	9326	2612	9328	2563	87	1.92E-02	GFL09 - 2A □□□ 112C22 MDFKA□□ 112-22 60
1308	77	1.9	22.164	2239	9326	2944	9328	2612	77	1.91E-02	GFL09 - 2A □□□ 112C22 MDFKA□□ 112-22 60
1423	71	1.9	24.111	2435	9326	3203	9328	2722	71	1.89E-02	GFL09 - 2A □□□ 112C22 MDFKA□□ 112-22 60
1607	63	1.7	27.173	2745	9326	3609	9328	2767	63	1.89E-02	GFL09 - 2A □□□ 112C22 MDFKA□□ 112-22 60
354	513	4.3	6.864	717	9328	890	9330	2089	285	2.21E-02	GFL09 - 2A □□□ 112C22 MDFKA□□ 112-22 120
386	471	4.1	7.466	780	9328	968	9330	2156	259	2.19E-02	GFL09 - 2A □□□ 112C22 MDFKA□□ 112-22 120
468	391	3.5	9.010	941	9328	1168	9330	2230	223	2.07E-02	GFL09 - 2A □□□ 112C22 MDFKA□□ 112-22 120
510	359	3.3	9.799	1024	9328	1270	9330	2310	205	2.05E-02	GFL09 - 2A □□□ 112C22 MDFKA□□ 112-22 120
584	315	2.9	11.167	1167	9328	1447	9330	2303	180	2.00E-02	GFL09 - 2A □□□ 112C22 MDFKA□□ 112-22 120
646	286	2.5	12.307	1286	9328	1595	9330	2223	141	2.08E-02	GFL09 - 2A □□□ 112C22 MDFKA□□ 112-22 120
754	246	2.3	14.333	1498	9328	1858	9330	2374	135	2.00E-02	GFL09 - 2A □□□ 112C22 MDFKA□□ 112-22 120
861	216	2.1	16.333	1707	9328	2117	9330	2461	123	1.96E-02	GFL09 - 2A □□□ 112C22 MDFKA□□ 112-22 120
973	191	1.9	18.407	1923	9328	2386	9330	2480	108	1.95E-02	GFL09 - 2A □□□ 112C22 MDFKA□□ 112-22 120
1040	179	1.8	19.667	2055	9328	2549	9330	2563	102	1.92E-02	GFL09 - 2A □□□ 112C22 MDFKA□□ 112-22 120
1175	159	1.7	22.164	2316	9328	2873	9330	2612	91	1.91E-02	GFL09 - 2A □□□ 112C22 MDFKA□□ 112-22 120
1276	146	1.8	24.111	2519	9328	3125	9330	2722	84	1.89E-02	GFL09 - 2A □□□ 112C22 MDFKA□□ 112-22 120
1441	130	1.6	27.173	2839	9328	3522	9330	2767	74	1.89E-02	GFL09 - 2A □□□ 112C22 MDFKA□□ 112-22 120
372	54	3.4	63.326	787	9324	1150	9325	1510	54	1.06E-03	GFL09 - 3A □□□ 071C22 MDFKA□□ 071-22 120
430	47	3.3	73.173	909	9324	1329	9325	1517	47	1.08E-03	GFL09 - 3A □□□ 071C22 MDFKA□□ 071-22 120
485	41	3.3	82.465	1025	9324	1497	9325	1710	41	1.07E-03	GFL09 - 3A □□□ 071C22 MDFKA□□ 071-22 120

Observe the notes for thermal dimensioning.

Selection tables - Shaft-mounted helical gearboxes

Forced ventilated asynchronous geared servo motors

M ₂ [Nm]	n _{2 trans} [rpm]	c	i	M _{2 max} short-time on geared motor at				M _{2 Gr} gearbox c=1 n ₁ ≤1400 rpm [Nm]	n _{2 therm} [rpm]	J _{GM} referred to motor shaft [kgm ²]	Servo shaft-mounted helical geared motor Dimensions on Page 4-82
				8 kHz		16 kHz					
				M _{2 max} [Nm]	Type EVS	M _{2 max} [Nm]	Type EVS				
551	37	2.9	93.333	1160	9324	1695	9325	1692	37	9.98E-04	GFL09 - 3A □□□ 071C22 MDFKA□□ 071-22 120
621	32	2.9	105.185	1307	9324	1910	9325	1907	32	9.95E-04	GFL09 - 3A □□□ 071C22 MDFKA□□ 071-22 120
677	30	2.6	114.333	1420	9324	2076	9325	1847	30	9.53E-04	GFL09 - 3A □□□ 071C22 MDFKA□□ 071-22 120
763	26	2.6	128.852	1601	9324	2340	9325	2082	26	9.51E-04	GFL09 - 3A □□□ 071C22 MDFKA□□ 071-22 120
885	23	2.2	148.815	1849	9324	2702	9325	2053	23	9.07E-04	GFL09 - 3A □□□ 071C22 MDFKA□□ 071-22 120
997	20	2.2	167.712	2084	9324	3045	9325	2314	20	9.06E-04	GFL09 - 3A □□□ 071C22 MDFKA□□ 071-22 120
1104	18	1.9	185.111	2300	9324	3347	9325	2232	18	8.85E-04	GFL09 - 3A □□□ 071C22 MDFKA□□ 071-22 120
1244	16	1.9	208.617	2592	9324	3772	9325	2515	16	8.84E-04	GFL09 - 3A □□□ 071C22 MDFKA□□ 071-22 120
1343	15	1.7	224.778	2793	9324	3610	9325	2407	15	8.81E-04	GFL09 - 3A □□□ 071C22 MDFKA□□ 071-22 120
1514	13	1.7	253.321	3147	9324	4068	9325	2712	13	8.80E-04	GFL09 - 3A □□□ 071C22 MDFKA□□ 071-22 120
1743	12	1.4	290.889	3614	9324	3960	9325	2640	12	8.61E-04	GFL09 - 3A □□□ 071C22 MDFKA□□ 071-22 120
1965	10	1.4	327.827	4073	9324	4463	9325	2976	10	8.61E-04	GFL09 - 3A □□□ 071C22 MDFKA□□ 071-22 120
2120	9.7	1.3	353.033	4220	9324	4220	9325	2813	9.7	8.53E-04	GFL09 - 3A □□□ 071C22 MDFKA□□ 071-22 120
2389	8.6	1.3	397.863	4756	9324	4756	9325	3170	8.6	8.52E-04	GFL09 - 3A □□□ 071C22 MDFKA□□ 071-22 120
2554	8.0	1.0	424.247	4086	9324	4086	9325	2724	8.0	8.59E-04	GFL09 - 3A □□□ 071C22 MDFKA□□ 071-22 120
718	26	2.1	63.326	1791	9324	1301	9324	1510	26	2.15E-03	GFL09 - 3A □□□ 080C22 MDFKA□□ 080-22 60
832	22	1.8	73.173	2070	9324	1504	9324	1517	22	2.17E-03	GFL09 - 3A □□□ 080C22 MDFKA□□ 080-22 60
938	20	1.8	82.465	2333	9324	1694	9324	1710	20	2.16E-03	GFL09 - 3A □□□ 080C22 MDFKA□□ 080-22 60
1064	18	1.6	93.333	2538	9324	1918	9324	1692	18	2.09E-03	GFL09 - 3A □□□ 080C22 MDFKA□□ 080-22 60
1199	16	1.6	105.185	2861	9324	2161	9324	1907	16	2.09E-03	GFL09 - 3A □□□ 080C22 MDFKA□□ 080-22 60
1306	14	1.4	114.333	2771	9324	2349	9324	1847	14	2.04E-03	GFL09 - 3A □□□ 080C22 MDFKA□□ 080-22 60
1471	13	1.4	128.852	3122	9324	2648	9324	2082	13	2.04E-03	GFL09 - 3A □□□ 080C22 MDFKA□□ 080-22 60
1703	11	1.2	148.815	3080	9324	3058	9324	2053	11	2.00E-03	GFL09 - 3A □□□ 080C22 MDFKA□□ 080-22 60
1919	9.8	1.2	167.712	3471	9324	3446	9324	2314	9.8	2.00E-03	GFL09 - 3A □□□ 080C22 MDFKA□□ 080-22 60
2122	8.8	1.1	185.111	3347	9324	3347	9324	2232	8.8	1.97E-03	GFL09 - 3A □□□ 080C22 MDFKA□□ 080-22 60
2391	7.8	1.1	208.617	3772	9324	3772	9324	2515	7.8	1.97E-03	GFL09 - 3A □□□ 080C22 MDFKA□□ 080-22 60
647	55	2.0	63.326	1773	9325	1283	9325	1510	55	2.15E-03	GFL09 - 3A □□□ 080C22 MDFKA□□ 080-22 120
748	47	1.9	73.173	2049	9325	1483	9325	1517	47	2.17E-03	GFL09 - 3A □□□ 080C22 MDFKA□□ 080-22 120
843	42	1.9	82.465	2309	9325	1671	9325	1710	42	2.16E-03	GFL09 - 3A □□□ 080C22 MDFKA□□ 080-22 120
957	37	1.7	93.333	2538	9325	1891	9325	1692	37	2.09E-03	GFL09 - 3A □□□ 080C22 MDFKA□□ 080-22 120
1078	33	1.7	105.185	2861	9325	2131	9325	1907	33	2.09E-03	GFL09 - 3A □□□ 080C22 MDFKA□□ 080-22 120
1174	30	1.5	114.333	2771	9325	2316	9325	1847	30	2.04E-03	GFL09 - 3A □□□ 080C22 MDFKA□□ 080-22 120
1323	27	1.5	128.852	3122	9325	2611	9325	2082	27	2.04E-03	GFL09 - 3A □□□ 080C22 MDFKA□□ 080-22 120
1532	23	1.3	148.815	3080	9325	3015	9325	2053	23	2.00E-03	GFL09 - 3A □□□ 080C22 MDFKA□□ 080-22 120

Observe the notes for thermal dimensioning.

Selection tables - Shaft-mounted helical gearboxes

Forced ventilated asynchronous geared servo motors



M ₂ [Nm]	n _{2 trans} [rpm]	c	i	M _{2 max} short-time on geared motor at				M _{2 Gr} gearbox c=1 n ₁ ≤ 1400 rpm [Nm]	n _{2 therm} [rpm]	J _{GM} referred to motor shaft [kgm ²]	Servo shaft-mounted helical geared motor Dimensions on Page 4-82
				8 kHz		16 kHz					
				M _{2 max} [Nm]	Type EVS	M _{2 max} [Nm]	Type EVS				
1726	21	1.3	167.712	3471	9325	3398	9325	2314	21	2.00E-03	GFL09 - 3A □□□ 080C22 MDFKA□□ 080-22 120
1908	19	1.1	185.111	3347	9325	3347	9325	2232	19	1.97E-03	GFL09 - 3A □□□ 080C22 MDFKA□□ 080-22 120
2151	17	1.1	208.617	3772	9325	3772	9325	2515	17	1.97E-03	GFL09 - 3A □□□ 080C22 MDFKA□□ 080-22 120
1299	27	1.2	63.326	2265	9325	2265	9325	1510	27	3.83E-03	GFL09 - 3A □□□ 090C22 MDFKA□□ 090-22 60
1503	23	1.0	73.173	2276	9325	2276	9325	1517	23	3.85E-03	GFL09 - 3A □□□ 090C22 MDFKA□□ 090-22 60
1694	20	1.0	82.465	2565	9325	2565	9325	1710	20	3.84E-03	GFL09 - 3A □□□ 090C22 MDFKA□□ 090-22 60
1148	55	1.1	63.326	2265	9326	2265	9327	1510	49	3.83E-03	GFL09 - 3A □□□ 090C22 MDFKA□□ 090-22 120
1327	48	1.1	73.173	2276	9326	2276	9327	1517	38	3.85E-03	GFL09 - 3A □□□ 090C22 MDFKA□□ 090-22 120
1496	42	1.1	82.465	2565	9326	2565	9327	1710	34	3.84E-03	GFL09 - 3A □□□ 090C22 MDFKA□□ 090-22 120
589	31	3.8	52.067	1495	9324	1086	9324	2307	31	2.73E-03	GFL11 - 2A □□□ 080C22 MDFKA□□ 080-22 60
663	28	3.8	58.667	1685	9324	1224	9324	2599	28	2.70E-03	GFL11 - 2A □□□ 080C22 MDFKA□□ 080-22 60
719	26	3.2	63.190	1815	9324	1318	9324	2344	26	2.51E-03	GFL11 - 2A □□□ 080C22 MDFKA□□ 080-22 60
810	23	3.2	71.200	2045	9324	1485	9324	2641	23	2.49E-03	GFL11 - 2A □□□ 080C22 MDFKA□□ 080-22 60
915	20	2.6	79.875	2294	9324	1666	9324	2381	20	2.31E-03	GFL11 - 2A □□□ 080C22 MDFKA□□ 080-22 60
1031	18	2.6	90.000	2585	9324	1877	9324	2683	18	2.30E-03	GFL11 - 2A □□□ 080C22 MDFKA□□ 080-22 60
531	66	3.6	52.067	1480	9325	1071	9325	2307	66	2.73E-03	GFL11 - 2A □□□ 080C22 MDFKA□□ 080-22 120
598	59	3.6	58.667	1668	9325	1207	9325	2599	59	2.70E-03	GFL11 - 2A □□□ 080C22 MDFKA□□ 080-22 120
648	55	3.0	63.190	1796	9325	1300	9325	2344	55	2.51E-03	GFL11 - 2A □□□ 080C22 MDFKA□□ 080-22 120
728	49	3.4	71.200	2024	9325	1465	9325	2641	49	2.49E-03	GFL11 - 2A □□□ 080C22 MDFKA□□ 080-22 120
822	43	2.7	79.875	2271	9325	1643	9325	2381	43	2.31E-03	GFL11 - 2A □□□ 080C22 MDFKA□□ 080-22 120
926	38	2.7	90.000	2559	9325	1851	9325	2683	38	2.30E-03	GFL11 - 2A □□□ 080C22 MDFKA□□ 080-22 120
405	83	5.2	20.286	1126	9325	827	9325	2281	83	7.21E-03	GFL11 - 2A □□□ 090C22 MDFKA□□ 090-22 60
456	74	5.2	22.857	1269	9325	931	9325	2570	74	7.03E-03	GFL11 - 2A □□□ 090C22 MDFKA□□ 090-22 60
664	51	3.7	32.739	1817	9325	1334	9325	2533	51	5.31E-03	GFL11 - 2A □□□ 090C22 MDFKA□□ 090-22 60
748	46	3.7	36.889	2047	9325	1503	9325	2855	46	5.25E-03	GFL11 - 2A □□□ 090C22 MDFKA□□ 090-22 60
821	42	3.1	40.233	2233	9325	1640	9325	2607	42	4.86E-03	GFL11 - 2A □□□ 090C22 MDFKA□□ 090-22 60
925	37	3.1	45.333	2516	9325	1847	9325	2938	37	4.82E-03	GFL11 - 2A □□□ 090C22 MDFKA□□ 090-22 60
1069	32	2.5	52.067	2890	9325	2122	9325	2701	32	4.41E-03	GFL11 - 2A □□□ 090C22 MDFKA□□ 090-22 60
1205	29	2.5	58.667	3256	9325	2391	9325	3044	29	4.38E-03	GFL11 - 2A □□□ 090C22 MDFKA□□ 090-22 60
1303	27	2.1	63.190	3507	9325	2575	9325	2745	27	4.19E-03	GFL11 - 2A □□□ 090C22 MDFKA□□ 090-22 60
1469	24	2.1	71.200	3951	9325	2901	9325	3093	24	4.17E-03	GFL11 - 2A □□□ 090C22 MDFKA□□ 090-22 60
1655	21	1.7	79.875	4184	9325	3255	9325	2789	21	3.99E-03	GFL11 - 2A □□□ 090C22 MDFKA□□ 090-22 60
1864	19	1.7	90.000	4714	9325	3668	9325	3143	19	3.98E-03	GFL11 - 2A □□□ 090C22 MDFKA□□ 090-22 60
360	172	4.6	20.286	998	9326	878	9327	2281	112	7.21E-03	GFL11 - 2A □□□ 090C22 MDFKA□□ 090-22 120

Observe the notes for thermal dimensioning.

Selection tables - Shaft-mounted helical gearboxes

Forced ventilated asynchronous geared servo motors

M ₂ [Nm]	n ₂ trans [rpm]	c	i	M ₂ max short-time on geared motor at				M ₂ Gr gearbox c=1 n ₁ ≤ 1400 rpm [Nm]	n ₂ therm [rpm]	J _{GM} referred to motor shaft [kgm ²]	Servo shaft-mounted helical geared motor Dimensions on Page 4-82
				8 kHz		16 kHz					
				M ₂ max [Nm]	Type EVS	M ₂ max [Nm]	Type EVS				
406	152	4.6	22.857	1124	9326	989	9327	2570	99	7.03E-03	GFL11 - 2A □□□ 090C22 MDFKA□□ 090-22 120
587	106	3.6	32.739	1610	9326	1417	9327	2533	88	5.31E-03	GFL11 - 2A □□□ 090C22 MDFKA□□ 090-22 120
662	94	3.6	36.889	1815	9326	1596	9327	2855	78	5.25E-03	GFL11 - 2A □□□ 090C22 MDFKA□□ 090-22 120
726	87	3.0	40.233	1979	9326	1741	9327	2607	77	4.86E-03	GFL11 - 2A □□□ 090C22 MDFKA□□ 090-22 120
818	77	3.0	45.333	2230	9326	1962	9327	2938	69	4.82E-03	GFL11 - 2A □□□ 090C22 MDFKA□□ 090-22 120
946	67	2.4	52.067	2561	9326	2253	9327	2701	60	4.41E-03	GFL11 - 2A □□□ 090C22 MDFKA□□ 090-22 120
1066	59	2.4	58.667	2886	9326	2539	9327	3044	53	4.38E-03	GFL11 - 2A □□□ 090C22 MDFKA□□ 090-22 120
1153	55	2.0	63.190	3108	9326	2734	9327	2745	49	4.19E-03	GFL11 - 2A □□□ 090C22 MDFKA□□ 090-22 120
1296	49	2.2	71.200	3502	9326	3081	9327	3093	44	4.17E-03	GFL11 - 2A □□□ 090C22 MDFKA□□ 090-22 120
1460	44	1.8	79.875	3929	9326	3456	9327	2789	39	3.99E-03	GFL11 - 2A □□□ 090C22 MDFKA□□ 090-22 120
1645	39	1.8	90.000	4427	9326	3895	9327	3143	35	3.98E-03	GFL11 - 2A □□□ 090C22 MDFKA□□ 090-22 120
600	95	5.8	17.920	871	9325	1052	9326	3789	95	1.20E-02	GFL11 - 2A □□□ 100C22 MDFKA□□ 100-22 60
682	84	5.4	20.286	986	9325	1191	9326	4045	84	1.08E-02	GFL11 - 2A □□□ 100C22 MDFKA□□ 100-22 60
773	74	4.8	22.857	1111	9325	1342	9326	4037	74	1.06E-02	GFL11 - 2A □□□ 100C22 MDFKA□□ 100-22 60
840	68	4.9	24.850	1208	9325	1459	9326	4268	68	9.89E-03	GFL11 - 2A □□□ 100C22 MDFKA□□ 100-22 60
952	61	4.3	28.000	1361	9325	1644	9326	4263	61	9.77E-03	GFL11 - 2A □□□ 100C22 MDFKA□□ 100-22 60
1117	52	4.0	32.739	1591	9325	1922	9326	4603	52	8.91E-03	GFL11 - 2A □□□ 100C22 MDFKA□□ 100-22 60
1265	46	3.5	36.889	1793	9325	2165	9326	4601	46	8.85E-03	GFL11 - 2A □□□ 100C22 MDFKA□□ 100-22 60
1381	42	3.4	40.233	1956	9325	2362	9326	4882	42	8.46E-03	GFL11 - 2A □□□ 100C22 MDFKA□□ 100-22 60
1563	38	3.1	45.333	2204	9325	2661	9326	4881	38	8.42E-03	GFL11 - 2A □□□ 100C22 MDFKA□□ 100-22 60
1799	33	2.9	52.067	2531	9325	3056	9326	5251	33	8.01E-03	GFL11 - 2A □□□ 100C22 MDFKA□□ 100-22 60
2033	29	2.5	58.667	2852	9325	3444	9326	5254	29	7.98E-03	GFL11 - 2A □□□ 100C22 MDFKA□□ 100-22 60
2191	27	2.5	63.190	3072	9325	3709	9326	5557	27	7.79E-03	GFL11 - 2A □□□ 100C22 MDFKA□□ 100-22 60
2476	24	2.2	71.200	3461	9325	4179	9326	5561	24	7.77E-03	GFL11 - 2A □□□ 100C22 MDFKA□□ 100-22 60
358	327	5.2	10.720	703	9327	666	9328	2595	191	1.37E-02	GFL11 - 2A □□□ 100C22 MDFKA□□ 100-22 120
532	221	5.2	15.904	1043	9327	988	9328	3800	128	1.23E-02	GFL11 - 2A □□□ 100C22 MDFKA□□ 100-22 120
603	196	4.6	17.920	1175	9327	1113	9328	3789	111	1.20E-02	GFL11 - 2A □□□ 100C22 MDFKA□□ 100-22 120
684	173	4.3	20.286	1331	9327	1260	9328	4045	110	1.08E-02	GFL11 - 2A □□□ 100C22 MDFKA□□ 100-22 120
775	154	3.8	22.857	1499	9327	1419	9328	4037	95	1.06E-02	GFL11 - 2A □□□ 100C22 MDFKA□□ 100-22 120
839	141	4.2	24.850	1630	9327	1543	9328	4268	99	9.89E-03	GFL11 - 2A □□□ 100C22 MDFKA□□ 100-22 120
950	125	3.7	28.000	1836	9327	1739	9328	4263	87	9.77E-03	GFL11 - 2A □□□ 100C22 MDFKA□□ 100-22 120
1115	107	3.4	32.739	2147	9327	2033	9328	4603	75	8.91E-03	GFL11 - 2A □□□ 100C22 MDFKA□□ 100-22 120
1261	95	3.1	36.889	2419	9327	2291	9328	4601	66	8.85E-03	GFL11 - 2A □□□ 100C22 MDFKA□□ 100-22 120
1377	87	3.0	40.233	2639	9327	2498	9328	4882	61	8.46E-03	GFL11 - 2A □□□ 100C22 MDFKA□□ 100-22 120

Observe the notes for thermal dimensioning.

Selection tables - Shaft-mounted helical gearboxes

Forced ventilated asynchronous geared servo motors



M ₂ [Nm]	n _{2 trans} [rpm]	c	i	M _{2 max} short-time on geared motor at				M _{2 Gr} gearbox c=1 n ₁ ≤ 1400 rpm [Nm]	n _{2 therm} [rpm]	J _{GM} referred to motor shaft [kgm ²]	Servo shaft-mounted helical geared motor Dimensions on Page 4-82
				8 kHz		16 kHz					
				M _{2 max} [Nm]	Type EVS	M _{2 max} [Nm]	Type EVS				
1557	77	2.6	45.333	2973	9327	2815	9328	4881	54	8.42E-03	GFL11 - 2A □□□ 100C22 MDFKA□□ 100-22 120
1791	67	2.5	52.067	3415	9327	3233	9328	5251	47	8.01E-03	GFL11 - 2A □□□ 100C22 MDFKA□□ 100-22 120
2024	60	2.2	58.667	3848	9327	3643	9328	5254	42	7.98E-03	GFL11 - 2A □□□ 100C22 MDFKA□□ 100-22 120
2181	56	2.2	63.190	4145	9327	3924	9328	5557	39	7.79E-03	GFL11 - 2A □□□ 100C22 MDFKA□□ 100-22 120
2458	49	2.1	71.200	4670	9327	4421	9328	5561	34	7.77E-03	GFL11 - 2A □□□ 100C22 MDFKA□□ 100-22 120
608	160	5.7	10.720	1083	9326	1424	9328	3818	160	2.45E-02	GFL11 - 2A □□□ 112C22 MDFKA□□ 112-22 60
717	137	4.5	12.480	1261	9326	1658	9328	3466	132	2.62E-02	GFL11 - 2A □□□ 112C22 MDFKA□□ 112-22 60
838	118	4.1	14.538	1468	9326	1931	9328	3718	118	2.38E-02	GFL11 - 2A □□□ 112C22 MDFKA□□ 112-22 60
920	108	3.8	15.904	1606	9326	2112	9328	3800	108	2.31E-02	GFL11 - 2A □□□ 112C22 MDFKA□□ 112-22 60
1041	95	3.4	17.920	1810	9326	2380	9328	3789	95	2.28E-02	GFL11 - 2A □□□ 112C22 MDFKA□□ 112-22 60
1181	84	3.2	20.286	2049	9326	2694	9328	4045	84	2.16E-02	GFL11 - 2A □□□ 112C22 MDFKA□□ 112-22 60
1336	75	2.8	22.857	2309	9326	3036	9328	4037	75	2.14E-02	GFL11 - 2A □□□ 112C22 MDFKA□□ 112-22 60
1452	69	2.9	24.850	2510	9326	3301	9328	4268	69	2.07E-02	GFL11 - 2A □□□ 112C22 MDFKA□□ 112-22 60
1641	61	2.6	28.000	2828	9326	3719	9328	4263	61	2.06E-02	GFL11 - 2A □□□ 112C22 MDFKA□□ 112-22 60
1923	52	2.4	32.739	3307	9326	4349	9328	4603	52	1.97E-02	GFL11 - 2A □□□ 112C22 MDFKA□□ 112-22 60
2173	46	2.1	36.889	3726	9326	4900	9328	4601	46	1.97E-02	GFL11 - 2A □□□ 112C22 MDFKA□□ 112-22 60
2371	43	2.0	40.233	4064	9326	5344	9328	4882	43	1.93E-02	GFL11 - 2A □□□ 112C22 MDFKA□□ 112-22 60
2678	38	1.8	45.333	4579	9326	6021	9328	4881	38	1.92E-02	GFL11 - 2A □□□ 112C22 MDFKA□□ 112-22 60
458	391	5.6	9.010	941	9328	1168	9330	3570	223	2.60E-02	GFL11 - 2A □□□ 112C22 MDFKA□□ 112-22 120
499	359	5.4	9.799	1024	9328	1270	9330	3767	205	2.55E-02	GFL11 - 2A □□□ 112C22 MDFKA□□ 112-22 120
548	328	5.0	10.720	1120	9328	1390	9330	3818	188	2.45E-02	GFL11 - 2A □□□ 112C22 MDFKA□□ 112-22 120
646	282	3.9	12.480	1304	9328	1618	9330	3466	128	2.62E-02	GFL11 - 2A □□□ 112C22 MDFKA□□ 112-22 120
755	242	3.6	14.538	1519	9328	1885	9330	3718	126	2.38E-02	GFL11 - 2A □□□ 112C22 MDFKA□□ 112-22 120
828	221	3.4	15.904	1662	9328	2062	9330	3800	117	2.31E-02	GFL11 - 2A □□□ 112C22 MDFKA□□ 112-22 120
937	196	3.0	17.920	1873	9328	2323	9330	3789	101	2.28E-02	GFL11 - 2A □□□ 112C22 MDFKA□□ 112-22 120
1062	174	2.8	20.286	2120	9328	2630	9330	4045	99	2.16E-02	GFL11 - 2A □□□ 112C22 MDFKA□□ 112-22 120
1201	154	2.5	22.857	2388	9328	2963	9330	4037	86	2.14E-02	GFL11 - 2A □□□ 112C22 MDFKA□□ 112-22 120
1302	142	2.8	24.850	2597	9328	3221	9330	4268	81	2.07E-02	GFL11 - 2A □□□ 112C22 MDFKA□□ 112-22 120
1472	126	2.4	28.000	2926	9328	3629	9330	4263	72	2.06E-02	GFL11 - 2A □□□ 112C22 MDFKA□□ 112-22 120
1724	108	2.3	32.739	3421	9328	4244	9330	4603	62	1.97E-02	GFL11 - 2A □□□ 112C22 MDFKA□□ 112-22 120
1948	95	2.0	36.889	3855	9328	4782	9330	4601	55	1.97E-02	GFL11 - 2A □□□ 112C22 MDFKA□□ 112-22 120
2126	87	1.9	40.233	4204	9328	5215	9330	4882	50	1.93E-02	GFL11 - 2A □□□ 112C22 MDFKA□□ 112-22 120
2401	78	1.7	45.333	4737	9328	5876	9330	4881	44	1.92E-02	GFL11 - 2A □□□ 112C22 MDFKA□□ 112-22 120
537	36	5.5	93.540	1162	9324	1699	9325	3206	36	1.33E-03	GFL11 - 3A □□□ 071C22 MDFKA□□ 071-22 120

Observe the notes for thermal dimensioning.

Selection tables - Shaft-mounted helical gearboxes

Forced ventilated asynchronous geared servo motors

M ₂ [Nm]	n _{2 trans} [rpm]	c	i	M _{2 max} short-time on geared motor at				M _{2 Gr} gearbox c=1 n ₁ ≤1400 rpm [Nm]	n _{2 therm} [rpm]	J _{GM} referred to motor shaft [kgm ²]	Servo shaft-mounted helical geared motor Dimensions on Page 4-82
				8 kHz		16 kHz					
				M _{2 max} [Nm]	Type EVS	M _{2 max} [Nm]	Type EVS				
605	32	5.5	105.397	1309	9324	1914	9325	3613	32	1.33E-03	GFL11 - 3A □□□ 071C22 MDFKA□□ 071-22 120
868	23	4.2	149.144	1853	9324	2708	9325	3894	23	1.06E-03	GFL11 - 3A □□□ 071C22 MDFKA□□ 071-22 120
978	20	4.2	168.049	2088	9324	3051	9325	4387	20	1.06E-03	GFL11 - 3A □□□ 071C22 MDFKA□□ 071-22 120
1070	19	3.7	182.792	2271	9324	3319	9325	4233	19	9.96E-04	GFL11 - 3A □□□ 071C22 MDFKA□□ 071-22 120
1205	17	3.7	205.963	2559	9324	3740	9325	4769	17	9.94E-04	GFL11 - 3A □□□ 071C22 MDFKA□□ 071-22 120
1321	15	3.2	224.636	2791	9324	4079	9325	4523	15	9.82E-04	GFL11 - 3A □□□ 071C22 MDFKA□□ 071-22 120
1489	13	3.2	253.111	3145	9324	4596	9325	5097	13	9.80E-04	GFL11 - 3A □□□ 071C22 MDFKA□□ 071-22 120
1575	13	3.0	267.259	3320	9324	4853	9325	5106	13	1.02E-03	GFL11 - 3A □□□ 071C22 MDFKA□□ 071-22 120
1937	10	2.7	327.556	4070	9324	5948	9325	5523	10	9.67E-04	GFL11 - 3A □□□ 071C22 MDFKA□□ 071-22 120
2125	9.5	2.3	358.077	4449	9324	6502	9325	5283	9.5	8.98E-04	GFL11 - 3A □□□ 071C22 MDFKA□□ 071-22 120
2395	8.5	2.3	403.467	5013	9324	7326	9325	5952	8.5	8.97E-04	GFL11 - 3A □□□ 071C22 MDFKA□□ 071-22 120
2558	7.9	2.2	430.222	5345	9324	7812	9325	5942	7.9	9.15E-04	GFL11 - 3A □□□ 071C22 MDFKA□□ 071-22 120
3117	6.5	1.8	522.133	6487	9324	8913	9325	5942	6.5	8.92E-04	GFL11 - 3A □□□ 071C22 MDFKA□□ 071-22 120
3368	6.1	1.5	562.391	6987	9324	7979	9325	5319	6.1	8.90E-04	GFL11 - 3A □□□ 071C22 MDFKA□□ 071-22 120
3797	5.4	1.5	633.680	7873	9324	8766	9325	5844	5.4	8.90E-04	GFL11 - 3A □□□ 071C22 MDFKA□□ 071-22 120
4272	4.8	1.2	710.888	7979	9324	7979	9325	5319	4.8	8.69E-04	GFL11 - 3A □□□ 071C22 MDFKA□□ 071-22 120
4814	4.3	1.2	801.000	8766	9324	8766	9325	5844	4.3	8.68E-04	GFL11 - 3A □□□ 071C22 MDFKA□□ 071-22 120
727	25	3.9	65.306	1847	9324	1342	9324	2891	25	2.62E-03	GFL11 - 3A □□□ 080C22 MDFKA□□ 080-22 60
820	22	3.4	73.335	2075	9324	1507	9324	2875	22	2.70E-03	GFL11 - 3A □□□ 080C22 MDFKA□□ 080-22 60
924	20	3.4	82.631	2338	9324	1698	9324	3240	20	2.69E-03	GFL11 - 3A □□□ 080C22 MDFKA□□ 080-22 60
1050	17	3.0	93.540	2646	9324	1922	9324	3206	17	2.42E-03	GFL11 - 3A □□□ 080C22 MDFKA□□ 080-22 60
1184	16	3.0	105.397	2982	9324	2166	9324	3613	16	2.42E-03	GFL11 - 3A □□□ 080C22 MDFKA□□ 080-22 60
1291	14	2.7	114.586	3241	9324	2354	9324	3501	14	2.29E-03	GFL11 - 3A □□□ 080C22 MDFKA□□ 080-22 60
1455	13	2.7	129.111	3652	9324	2653	9324	3945	13	2.29E-03	GFL11 - 3A □□□ 080C22 MDFKA□□ 080-22 60
1688	11	2.3	149.144	4219	9324	3064	9324	3894	11	2.15E-03	GFL11 - 3A □□□ 080C22 MDFKA□□ 080-22 60
1901	9.7	2.3	168.049	4754	9324	3453	9324	4387	9.7	2.15E-03	GFL11 - 3A □□□ 080C22 MDFKA□□ 080-22 60
2074	8.9	2.0	182.792	5171	9324	3756	9324	4233	8.9	2.09E-03	GFL11 - 3A □□□ 080C22 MDFKA□□ 080-22 60
2337	7.9	2.0	205.963	5826	9324	4232	9324	4769	7.9	2.08E-03	GFL11 - 3A □□□ 080C22 MDFKA□□ 080-22 60
2556	7.3	1.8	224.636	6355	9324	4616	9324	4523	7.3	2.07E-03	GFL11 - 3A □□□ 080C22 MDFKA□□ 080-22 60
2880	6.5	1.8	253.111	7160	9324	5201	9324	5097	6.5	2.07E-03	GFL11 - 3A □□□ 080C22 MDFKA□□ 080-22 60
3044	6.1	1.7	267.259	7560	9324	5491	9324	5106	6.1	2.11E-03	GFL11 - 3A □□□ 080C22 MDFKA□□ 080-22 60
3738	5.0	1.5	327.556	8284	9324	6730	9324	5523	5.0	2.06E-03	GFL11 - 3A □□□ 080C22 MDFKA□□ 080-22 60
4094	4.6	1.3	358.077	7924	9324	7357	9324	5283	4.6	1.99E-03	GFL11 - 3A □□□ 080C22 MDFKA□□ 080-22 60
4613	4.1	1.3	403.467	8928	9324	8290	9324	5952	4.1	1.99E-03	GFL11 - 3A □□□ 080C22 MDFKA□□ 080-22 60

Observe the notes for thermal dimensioning.

Selection tables - Shaft-mounted helical gearboxes

Forced ventilated asynchronous geared servo motors



M ₂ [Nm]	n _{2 trans} [rpm]	c	i	M _{2 max} short-time on geared motor at				M _{2 Gr} gearbox c=1 n ₁ ≤ 1400 rpm [Nm]	n _{2 therm} [rpm]	J _{GM} referred to motor shaft [kgm ²]	Servo shaft-mounted helical geared motor Dimensions on Page 4-82
				8 kHz		16 kHz					
				M _{2 max} [Nm]	Type EVS	M _{2 max} [Nm]	Type EVS				
4923	3.8	1.2	430.222	8913	9324	8840	9324	5942	3.8	2.01E-03	GFL11 - 3A □□□ 080C22 MDFKA□□ 080-22 60
652	53	4.1	65.306	1829	9325	1323	9325	2891	53	2.62E-03	GFL11 - 3A □□□ 080C22 MDFKA□□ 080-22 120
736	47	3.6	73.335	2054	9325	1486	9325	2875	47	2.70E-03	GFL11 - 3A □□□ 080C22 MDFKA□□ 080-22 120
829	42	3.6	82.631	2314	9325	1674	9325	3240	42	2.69E-03	GFL11 - 3A □□□ 080C22 MDFKA□□ 080-22 120
944	37	3.2	93.540	2619	9325	1895	9325	3206	37	2.42E-03	GFL11 - 3A □□□ 080C22 MDFKA□□ 080-22 120
1063	33	3.2	105.397	2951	9325	2135	9325	3613	33	2.42E-03	GFL11 - 3A □□□ 080C22 MDFKA□□ 080-22 120
1160	30	2.8	114.586	3209	9325	2322	9325	3501	30	2.29E-03	GFL11 - 3A □□□ 080C22 MDFKA□□ 080-22 120
1307	27	2.8	129.111	3615	9325	2616	9325	3945	27	2.29E-03	GFL11 - 3A □□□ 080C22 MDFKA□□ 080-22 120
1517	23	2.4	149.144	4176	9325	3022	9325	3894	23	2.15E-03	GFL11 - 3A □□□ 080C22 MDFKA□□ 080-22 120
1709	21	2.4	168.049	4706	9325	3405	9325	4387	21	2.15E-03	GFL11 - 3A □□□ 080C22 MDFKA□□ 080-22 120
1864	19	2.1	182.792	5118	9325	3703	9325	4233	19	2.09E-03	GFL11 - 3A □□□ 080C22 MDFKA□□ 080-22 120
2100	17	2.1	205.963	5767	9325	4173	9325	4769	17	2.08E-03	GFL11 - 3A □□□ 080C22 MDFKA□□ 080-22 120
2298	15	1.9	224.636	6290	9325	4551	9325	4523	15	2.07E-03	GFL11 - 3A □□□ 080C22 MDFKA□□ 080-22 120
2589	14	1.9	253.111	7087	9325	5128	9325	5097	14	2.07E-03	GFL11 - 3A □□□ 080C22 MDFKA□□ 080-22 120
2736	13	1.8	267.259	7484	9325	5415	9325	5106	13	2.11E-03	GFL11 - 3A □□□ 080C22 MDFKA□□ 080-22 120
3361	11	1.6	327.556	8284	9325	6636	9325	5523	11	2.06E-03	GFL11 - 3A □□□ 080C22 MDFKA□□ 080-22 120
3682	9.7	1.4	358.077	7924	9325	7255	9325	5283	9.7	1.99E-03	GFL11 - 3A □□□ 080C22 MDFKA□□ 080-22 120
4148	8.6	1.4	403.467	8928	9325	8174	9325	5952	8.6	1.99E-03	GFL11 - 3A □□□ 080C22 MDFKA□□ 080-22 120
4428	8.0	1.3	430.222	8913	9325	8716	9325	5942	8.0	2.01E-03	GFL11 - 3A □□□ 080C22 MDFKA□□ 080-22 120
5386	6.6	1.1	522.133	8913	9325	8913	9325	5942	6.6	1.98E-03	GFL11 - 3A □□□ 080C22 MDFKA□□ 080-22 120
1326	26	2.2	65.306	3570	9325	2621	9325	2891	26	4.30E-03	GFL11 - 3A □□□ 090C22 MDFKA□□ 090-22 60
1492	23	1.9	73.335	4009	9325	2944	9325	2875	23	4.38E-03	GFL11 - 3A □□□ 090C22 MDFKA□□ 090-22 60
1682	20	1.9	82.631	4517	9325	3317	9325	3240	20	4.37E-03	GFL11 - 3A □□□ 090C22 MDFKA□□ 090-22 60
1909	18	1.7	93.540	4809	9325	3755	9325	3206	18	4.10E-03	GFL11 - 3A □□□ 090C22 MDFKA□□ 090-22 60
2150	16	1.7	105.397	5419	9325	4230	9325	3613	16	4.10E-03	GFL11 - 3A □□□ 090C22 MDFKA□□ 090-22 60
2342	15	1.5	114.586	5252	9325	4599	9325	3501	15	3.97E-03	GFL11 - 3A □□□ 090C22 MDFKA□□ 090-22 60
2639	13	1.5	129.111	5917	9325	5182	9325	3945	13	3.97E-03	GFL11 - 3A □□□ 090C22 MDFKA□□ 090-22 60
3056	11	1.3	149.144	5841	9325	5841	9325	3894	11	3.83E-03	GFL11 - 3A □□□ 090C22 MDFKA□□ 090-22 60
3443	10.0	1.3	168.049	6581	9325	6581	9325	4387	10.0	3.83E-03	GFL11 - 3A □□□ 090C22 MDFKA□□ 090-22 60
3751	9.2	1.1	182.792	6349	9325	6349	9325	4233	9.2	3.77E-03	GFL11 - 3A □□□ 090C22 MDFKA□□ 090-22 60
4226	8.2	1.1	205.963	7154	9325	7154	9325	4769	8.2	3.76E-03	GFL11 - 3A □□□ 090C22 MDFKA□□ 090-22 60
1169	53	2.3	65.306	3164	9326	2784	9327	2891	48	4.30E-03	GFL11 - 3A □□□ 090C22 MDFKA□□ 090-22 120
1317	47	2.1	73.335	3553	9326	3126	9327	2875	42	4.38E-03	GFL11 - 3A □□□ 090C22 MDFKA□□ 090-22 120
1484	42	2.1	82.631	4004	9326	3522	9327	3240	38	4.37E-03	GFL11 - 3A □□□ 090C22 MDFKA□□ 090-22 120

Observe the notes for thermal dimensioning.

Selection tables - Shaft-mounted helical gearboxes

Forced ventilated asynchronous geared servo motors

M ₂ [Nm]	n _{2 trans} [rpm]	c	i	M _{2 max} short-time on geared motor at				M _{2 Gr} gearbox c=1 n ₁ ≤ 1400 rpm [Nm]	n _{2 therm} [rpm]	J _{GM} referred to motor shaft [kgm ²]	Servo shaft-mounted helical geared motor Dimensions on Page 4-82
				8 kHz		16 kHz					
				M _{2 max} [Nm]	Type EVS	M _{2 max} [Nm]	Type EVS				
1684	37	1.8	93.540	4532	9326	3987	9327	3206	33	4.10E-03	GFL11 - 3A □□□ 090C22 MDFKA□□ 090-22 120
1898	33	1.8	105.397	5107	9326	4492	9327	3613	30	4.10E-03	GFL11 - 3A □□□ 090C22 MDFKA□□ 090-22 120
2068	30	1.6	114.586	5252	9326	4884	9327	3501	27	3.97E-03	GFL11 - 3A □□□ 090C22 MDFKA□□ 090-22 120
2330	27	1.6	129.111	5917	9326	5503	9327	3945	24	3.97E-03	GFL11 - 3A □□□ 090C22 MDFKA□□ 090-22 120
2698	23	1.4	149.144	5841	9326	5841	9327	3894	21	3.83E-03	GFL11 - 3A □□□ 090C22 MDFKA□□ 090-22 120
3040	21	1.4	168.049	6581	9326	6581	9327	4387	19	3.83E-03	GFL11 - 3A □□□ 090C22 MDFKA□□ 090-22 120
3312	19	1.2	182.792	6349	9326	6349	9327	4233	17	3.77E-03	GFL11 - 3A □□□ 090C22 MDFKA□□ 090-22 120
3731	17	1.2	205.963	7154	9326	7154	9327	4769	15	3.76E-03	GFL11 - 3A □□□ 090C22 MDFKA□□ 090-22 120
4077	15	1.1	224.636	6785	9326	6785	9327	4523	14	3.75E-03	GFL11 - 3A □□□ 090C22 MDFKA□□ 090-22 120
4593	14	1.1	253.111	7645	9326	7645	9327	5097	12	3.75E-03	GFL11 - 3A □□□ 090C22 MDFKA□□ 090-22 120
4853	13	1.0	267.259	7659	9326	7659	9327	5106	12	3.79E-03	GFL11 - 3A □□□ 090C22 MDFKA□□ 090-22 120
2259	26	1.3	65.306	3127	9325	3776	9326	2891	26	7.90E-03	GFL11 - 3A □□□ 100C22 MDFKA□□ 100-22 60
2541	23	1.1	73.335	3511	9325	4240	9326	2875	23	7.98E-03	GFL11 - 3A □□□ 100C22 MDFKA□□ 100-22 60
2863	21	1.1	82.631	3956	9325	4778	9326	3240	21	7.97E-03	GFL11 - 3A □□□ 100C22 MDFKA□□ 100-22 60
2242	54	1.2	65.306	4219	9327	3994	9328	2891	37	7.90E-03	GFL11 - 3A □□□ 100C22 MDFKA□□ 100-22 120
2521	48	1.1	73.335	4313	9327	4313	9328	2875	31	7.98E-03	GFL11 - 3A □□□ 100C22 MDFKA□□ 100-22 120
2840	42	1.1	82.631	4859	9327	4859	9328	3240	28	7.97E-03	GFL11 - 3A □□□ 100C22 MDFKA□□ 100-22 120
1085	53	5.6	32.344	1572	9325	1899	9326	6387	53	1.25E-02	GFL14 - 2A □□□ 100C22 MDFKA□□ 100-22 60
1223	47	5.6	36.444	1772	9325	2139	9326	7196	47	1.23E-02	GFL14 - 2A □□□ 100C22 MDFKA□□ 100-22 60
1339	43	5.0	39.642	1927	9325	2327	9326	6916	43	1.10E-02	GFL14 - 2A □□□ 100C22 MDFKA□□ 100-22 60
1509	38	5.0	44.667	2171	9325	2622	9326	7793	38	1.09E-02	GFL14 - 2A □□□ 100C22 MDFKA□□ 100-22 60
1779	33	3.9	52.067	2531	9325	3056	9326	7136	33	9.66E-03	GFL14 - 2A □□□ 100C22 MDFKA□□ 100-22 60
2005	29	3.9	58.667	2852	9325	3444	9326	8041	29	9.58E-03	GFL14 - 2A □□□ 100C22 MDFKA□□ 100-22 60
2174	27	3.3	63.190	3072	9325	3709	9326	7250	27	9.00E-03	GFL14 - 2A □□□ 100C22 MDFKA□□ 100-22 60
2449	24	3.3	71.200	3461	9325	4179	9326	8169	24	8.94E-03	GFL14 - 2A □□□ 100C22 MDFKA□□ 100-22 60
2770	21	2.5	79.875	3883	9325	4689	9326	7015	21	8.38E-03	GFL14 - 2A □□□ 100C22 MDFKA□□ 100-22 60
3121	19	2.5	90.000	4375	9325	5283	9326	7905	19	8.35E-03	GFL14 - 2A □□□ 100C22 MDFKA□□ 100-22 60
1085	109	4.8	32.344	2121	9327	2008	9328	6387	76	1.25E-02	GFL14 - 2A □□□ 100C22 MDFKA□□ 100-22 120
1223	96	4.8	36.444	2390	9327	2263	9328	7196	67	1.23E-02	GFL14 - 2A □□□ 100C22 MDFKA□□ 100-22 120
1338	89	4.3	39.642	2600	9327	2462	9328	6916	62	1.10E-02	GFL14 - 2A □□□ 100C22 MDFKA□□ 100-22 120
1507	79	4.3	44.667	2930	9327	2774	9328	7793	55	1.09E-02	GFL14 - 2A □□□ 100C22 MDFKA□□ 100-22 120
1774	67	3.4	52.067	3415	9327	3233	9328	7136	47	9.66E-03	GFL14 - 2A □□□ 100C22 MDFKA□□ 100-22 120
1999	60	3.4	58.667	3848	9327	3643	9328	8041	42	9.58E-03	GFL14 - 2A □□□ 100C22 MDFKA□□ 100-22 120
2166	56	2.8	63.190	4145	9327	3924	9328	7250	39	9.00E-03	GFL14 - 2A □□□ 100C22 MDFKA□□ 100-22 120

Observe the notes for thermal dimensioning.

Selection tables - Shaft-mounted helical gearboxes

Forced ventilated asynchronous geared servo motors



M ₂ [Nm]	n _{2 trans} [rpm]	c	i	M _{2 max} short-time on geared motor at				M _{2 Gr} gearbox c=1 n ₁ ≤ 1400 rpm [Nm]	n _{2 therm} [rpm]	J _{GM} referred to motor shaft [kgm ²]	Servo shaft-mounted helical geared motor Dimensions on Page 4-82
				8 kHz		16 kHz					
				M _{2 max} [Nm]	Type EVS	M _{2 max} [Nm]	Type EVS				
2433	49	3.1	71.200	4670	9327	4421	9328	8169	34	8.94E-03	GFL14 - 2A □□□ 100C22 MDFKA□□ 100-22 120
2750	44	2.4	79.875	5239	9327	4960	9328	7015	31	8.38E-03	GFL14 - 2A □□□ 100C22 MDFKA□□ 100-22 120
3099	39	2.4	90.000	5903	9327	5589	9328	7905	27	8.35E-03	GFL14 - 2A □□□ 100C22 MDFKA□□ 100-22 120
1387	70	5.7	24.456	2470	9326	3248	9328	8282	70	2.63E-02	GFL14 - 2A □□□ 112C22 MDFKA□□ 112-22 60
1562	62	5.7	27.556	2783	9326	3660	9328	9331	62	2.59E-02	GFL14 - 2A □□□ 112C22 MDFKA□□ 112-22 60
1857	53	4.5	32.344	3267	9326	4296	9328	8734	53	2.33E-02	GFL14 - 2A □□□ 112C22 MDFKA□□ 112-22 60
2092	47	4.5	36.444	3681	9326	4841	9328	9841	47	2.31E-02	GFL14 - 2A □□□ 112C22 MDFKA□□ 112-22 60
2292	43	3.9	39.642	4004	9326	5265	9328	9101	43	2.18E-02	GFL14 - 2A □□□ 112C22 MDFKA□□ 112-22 60
2583	38	3.9	44.667	4511	9326	5933	9328	10254	38	2.17E-02	GFL14 - 2A □□□ 112C22 MDFKA□□ 112-22 60
3037	33	3.0	52.067	5259	9326	6916	9328	9389	33	2.05E-02	GFL14 - 2A □□□ 112C22 MDFKA□□ 112-22 60
3422	29	3.0	58.667	5925	9326	7792	9328	10579	29	2.04E-02	GFL14 - 2A □□□ 112C22 MDFKA□□ 112-22 60
3705	27	2.5	63.190	6382	9326	8393	9328	9540	27	1.98E-02	GFL14 - 2A □□□ 112C22 MDFKA□□ 112-22 60
4176	24	2.5	71.200	7191	9326	9457	9328	10639	24	1.97E-02	GFL14 - 2A □□□ 112C22 MDFKA□□ 112-22 60
1014	176	5.6	19.948	2084	9328	2586	9330	7873	101	2.91E-02	GFL14 - 2A □□□ 112C22 MDFKA□□ 112-22 120
1143	157	5.6	22.476	2349	9328	2913	9330	8870	90	2.85E-02	GFL14 - 2A □□□ 112C22 MDFKA□□ 112-22 120
1245	144	5.4	24.456	2555	9328	3170	9330	8282	82	2.63E-02	GFL14 - 2A □□□ 112C22 MDFKA□□ 112-22 120
1403	128	5.4	27.556	2879	9328	3572	9330	9331	73	2.59E-02	GFL14 - 2A □□□ 112C22 MDFKA□□ 112-22 120
1667	109	4.3	32.344	3380	9328	4193	9330	8734	62	2.33E-02	GFL14 - 2A □□□ 112C22 MDFKA□□ 112-22 120
1878	97	4.3	36.444	3808	9328	4724	9330	9841	55	2.31E-02	GFL14 - 2A □□□ 112C22 MDFKA□□ 112-22 120
2057	89	3.7	39.642	4142	9328	5138	9330	9101	51	2.18E-02	GFL14 - 2A □□□ 112C22 MDFKA□□ 112-22 120
2318	79	3.7	44.667	4667	9328	5790	9330	10254	45	2.17E-02	GFL14 - 2A □□□ 112C22 MDFKA□□ 112-22 120
2724	68	2.9	52.067	5441	9328	6749	9330	9389	39	2.05E-02	GFL14 - 2A □□□ 112C22 MDFKA□□ 112-22 120
3070	60	2.9	58.667	6130	9328	7605	9330	10579	34	2.04E-02	GFL14 - 2A □□□ 112C22 MDFKA□□ 112-22 120
3323	56	2.4	63.190	6603	9328	8191	9330	9540	32	1.98E-02	GFL14 - 2A □□□ 112C22 MDFKA□□ 112-22 120
3735	49	2.7	71.200	7440	9328	9229	9330	10639	28	1.97E-02	GFL14 - 2A □□□ 112C22 MDFKA□□ 112-22 120
1159	16	4.5	104.889	2967	9324	2155	9324	5375	16	2.85E-03	GFL14 - 3A □□□ 080C22 MDFKA□□ 080-22 60
1261	14	4.5	114.126	3228	9324	2345	9324	5848	14	2.75E-03	GFL14 - 3A □□□ 080C22 MDFKA□□ 080-22 60
1421	13	4.5	128.593	3638	9324	2642	9324	6589	13	2.73E-03	GFL14 - 3A □□□ 080C22 MDFKA□□ 080-22 60
1738	10	3.8	156.148	4417	9324	3208	9324	6830	10	2.51E-03	GFL14 - 3A □□□ 080C22 MDFKA□□ 080-22 60
1883	9.6	4.3	170.074	4811	9324	3495	9324	8408	9.6	2.62E-03	GFL14 - 3A □□□ 080C22 MDFKA□□ 080-22 60
2268	8.1	3.1	202.074	5716	9324	4152	9324	7076	8.1	2.29E-03	GFL14 - 3A □□□ 080C22 MDFKA□□ 080-22 60
2512	7.3	3.4	224.636	6355	9324	4616	9324	8739	7.3	2.39E-03	GFL14 - 3A □□□ 080C22 MDFKA□□ 080-22 60
2830	6.5	3.4	253.111	7160	9324	5201	9324	9846	6.5	2.39E-03	GFL14 - 3A □□□ 080C22 MDFKA□□ 080-22 60
3071	6.0	3.1	273.778	7745	9324	5625	9324	9753	6.0	2.50E-03	GFL14 - 3A □□□ 080C22 MDFKA□□ 080-22 60

Observe the notes for thermal dimensioning.

Selection tables - Shaft-mounted helical gearboxes

Forced ventilated asynchronous geared servo motors

M ₂ [Nm]	n _{2 trans} [rpm]	c	i	M _{2 max} short-time on geared motor at				M _{2 Gr} gearbox c=1 n ₁ ≤ 1400 rpm [Nm]	n _{2 therm} [rpm]	J _{GM} referred to motor shaft [kgm ²]	Servo shaft-mounted helical geared motor Dimensions on Page 4-82
				8 kHz		16 kHz					
				M _{2 max} [Nm]	Type EVS	M _{2 max} [Nm]	Type EVS				
3742	4.9	2.8	332.444	9404	9324	6831	9324	10550	4.9	2.35E-03	GFL14 - 3A □□□ 080C22 MDFKA□□ 080-22 60
3980	4.6	2.6	352.811	9980	9324	7249	9324	10343	4.6	2.14E-03	GFL14 - 3A □□□ 080C22 MDFKA□□ 080-22 60
4485	4.1	2.5	397.533	11245	9324	8168	9324	11615	4.1	2.13E-03	GFL14 - 3A □□□ 080C22 MDFKA□□ 080-22 60
4875	3.8	2.1	430.222	12170	9324	8840	9324	10560	3.8	2.19E-03	GFL14 - 3A □□□ 080C22 MDFKA□□ 080-22 60
5940	3.1	1.8	522.133	14770	9324	10728	9324	10560	3.1	2.12E-03	GFL14 - 3A □□□ 080C22 MDFKA□□ 080-22 60
6422	2.9	1.4	562.391	13555	9324	11555	9324	9036	2.9	2.11E-03	GFL14 - 3A □□□ 080C22 MDFKA□□ 080-22 60
7240	2.6	1.4	633.680	14716	9324	13020	9324	9811	2.6	2.11E-03	GFL14 - 3A □□□ 080C22 MDFKA□□ 080-22 60
8143	2.3	1.1	710.888	13555	9324	13555	9324	9036	2.3	2.05E-03	GFL14 - 3A □□□ 080C22 MDFKA□□ 080-22 60
9179	2.0	1.1	801.000	14716	9324	14716	9324	9811	2.0	2.05E-03	GFL14 - 3A □□□ 080C22 MDFKA□□ 080-22 60
1040	33	4.7	104.889	2937	9325	2125	9325	5375	33	2.85E-03	GFL14 - 3A □□□ 080C22 MDFKA□□ 080-22 120
1132	30	4.7	114.126	3196	9325	2312	9325	5848	30	2.75E-03	GFL14 - 3A □□□ 080C22 MDFKA□□ 080-22 120
1275	27	4.7	128.593	3601	9325	2605	9325	6589	27	2.73E-03	GFL14 - 3A □□□ 080C22 MDFKA□□ 080-22 120
1560	22	4.0	156.148	4372	9325	3164	9325	6830	22	2.51E-03	GFL14 - 3A □□□ 080C22 MDFKA□□ 080-22 120
1690	20	4.6	170.074	4762	9325	3446	9325	8408	20	2.62E-03	GFL14 - 3A □□□ 080C22 MDFKA□□ 080-22 120
2037	17	3.2	202.074	5658	9325	4094	9325	7076	17	2.29E-03	GFL14 - 3A □□□ 080C22 MDFKA□□ 080-22 120
2256	15	3.6	224.636	6290	9325	4551	9325	8739	15	2.39E-03	GFL14 - 3A □□□ 080C22 MDFKA□□ 080-22 120
2541	14	3.6	253.111	7087	9325	5128	9325	9846	14	2.39E-03	GFL14 - 3A □□□ 080C22 MDFKA□□ 080-22 120
2758	13	3.3	273.778	7666	9325	5547	9325	9753	13	2.50E-03	GFL14 - 3A □□□ 080C22 MDFKA□□ 080-22 120
3362	10	2.9	332.444	9309	9325	6735	9325	10550	10	2.35E-03	GFL14 - 3A □□□ 080C22 MDFKA□□ 080-22 120
3576	9.8	2.7	352.811	9879	9325	7148	9325	10343	9.8	2.14E-03	GFL14 - 3A □□□ 080C22 MDFKA□□ 080-22 120
4030	8.7	2.7	397.533	11131	9325	8054	9325	11615	8.7	2.13E-03	GFL14 - 3A □□□ 080C22 MDFKA□□ 080-22 120
4381	8.0	2.3	430.222	12047	9325	8716	9325	10560	8.0	2.19E-03	GFL14 - 3A □□□ 080C22 MDFKA□□ 080-22 120
5340	6.6	1.9	522.133	14620	9325	10579	9325	10560	6.6	2.12E-03	GFL14 - 3A □□□ 080C22 MDFKA□□ 080-22 120
5775	6.1	1.5	562.391	13555	9325	11394	9325	9036	6.1	2.11E-03	GFL14 - 3A □□□ 080C22 MDFKA□□ 080-22 120
6511	5.5	1.4	633.680	14716	9325	12839	9325	9811	5.5	2.11E-03	GFL14 - 3A □□□ 080C22 MDFKA□□ 080-22 120
7324	4.9	1.2	710.888	13555	9325	13555	9325	9036	4.9	2.05E-03	GFL14 - 3A □□□ 080C22 MDFKA□□ 080-22 120
8256	4.3	1.1	801.000	14716	9325	14716	9325	9811	4.3	2.05E-03	GFL14 - 3A □□□ 080C22 MDFKA□□ 080-22 120
1276	26	4.2	64.296	3515	9325	2581	9325	5610	26	6.23E-03	GFL14 - 3A □□□ 090C22 MDFKA□□ 090-22 60
1370	24	3.8	68.708	3756	9325	2758	9325	5416	24	5.59E-03	GFL14 - 3A □□□ 090C22 MDFKA□□ 090-22 60
1543	22	3.8	77.418	4232	9325	3107	9325	6103	22	5.54E-03	GFL14 - 3A □□□ 090C22 MDFKA□□ 090-22 60
1700	20	3.6	85.037	4649	9325	3413	9325	6276	20	5.76E-03	GFL14 - 3A □□□ 090C22 MDFKA□□ 090-22 60
2112	16	2.9	104.889	5734	9325	4210	9325	6292	16	4.53E-03	GFL14 - 3A □□□ 090C22 MDFKA□□ 090-22 60
2299	15	2.9	114.126	6239	9325	4581	9325	6719	15	4.43E-03	GFL14 - 3A □□□ 090C22 MDFKA□□ 090-22 60
2591	13	2.9	128.593	7029	9325	5162	9325	7571	13	4.41E-03	GFL14 - 3A □□□ 090C22 MDFKA□□ 090-22 60

Observe the notes for thermal dimensioning.

Selection tables - Shaft-mounted helical gearboxes

Forced ventilated asynchronous geared servo motors



M ₂ [Nm]	n _{2 trans} [rpm]	c	i	M _{2 max} short-time on geared motor at				M _{2 Gr} gearbox c=1 n ₁ ≤ 1400 rpm [Nm]	n _{2 therm} [rpm]	J _{GM} referred to motor shaft [kgm ²]	Servo shaft-mounted helical geared motor Dimensions on Page 4-82
				8 kHz		16 kHz					
				M _{2 max} [Nm]	Type EVS	M _{2 max} [Nm]	Type EVS				
2765	12	2.6	136.889	7483	9325	5495	9325	7359	12	5.28E-03	GFL14 - 3A □□□ 090C22 MDFKA□□ 090-22 60
3158	11	2.5	156.148	8536	9325	6268	9325	7992	11	4.19E-03	GFL14 - 3A □□□ 090C22 MDFKA□□ 090-22 60
3443	9.9	2.4	170.074	9297	9325	6827	9325	8408	9.9	4.30E-03	GFL14 - 3A □□□ 090C22 MDFKA□□ 090-22 60
4109	8.3	2.0	202.074	11046	9325	8111	9325	8281	8.3	3.97E-03	GFL14 - 3A □□□ 090C22 MDFKA□□ 090-22 60
4572	7.5	1.9	224.636	12280	9325	9017	9325	8739	7.5	4.07E-03	GFL14 - 3A □□□ 090C22 MDFKA□□ 090-22 60
5152	6.6	1.9	253.111	13836	9325	10159	9325	9846	6.6	4.07E-03	GFL14 - 3A □□□ 090C22 MDFKA□□ 090-22 60
5582	6.1	1.7	273.778	14629	9325	10989	9325	9753	6.1	4.18E-03	GFL14 - 3A □□□ 090C22 MDFKA□□ 090-22 60
6792	5.1	1.5	332.444	15825	9325	13344	9325	10550	5.1	4.03E-03	GFL14 - 3A □□□ 090C22 MDFKA□□ 090-22 60
7216	4.8	1.4	352.811	15583	9325	14161	9325	10389	4.8	3.82E-03	GFL14 - 3A □□□ 090C22 MDFKA□□ 090-22 60
8132	4.2	1.4	397.533	17422	9325	15956	9325	11615	4.2	3.81E-03	GFL14 - 3A □□□ 090C22 MDFKA□□ 090-22 60
8822	3.9	1.2	430.222	15840	9325	15840	9325	10560	3.9	3.87E-03	GFL14 - 3A □□□ 090C22 MDFKA□□ 090-22 60
1129	54	4.1	64.296	3115	9326	2741	9327	5610	48	6.23E-03	GFL14 - 3A □□□ 090C22 MDFKA□□ 090-22 120
1207	51	4.1	68.708	3329	9326	2929	9327	5416	45	5.59E-03	GFL14 - 3A □□□ 090C22 MDFKA□□ 090-22 120
1360	45	4.1	77.418	3751	9326	3300	9327	6103	40	5.54E-03	GFL14 - 3A □□□ 090C22 MDFKA□□ 090-22 120
1498	41	3.9	85.037	4120	9326	3625	9327	6276	36	5.76E-03	GFL14 - 3A □□□ 090C22 MDFKA□□ 090-22 120
1862	33	3.1	104.889	5082	9326	4471	9327	6292	30	4.53E-03	GFL14 - 3A □□□ 090C22 MDFKA□□ 090-22 120
2027	30	3.1	114.126	5530	9326	4864	9327	6719	27	4.43E-03	GFL14 - 3A □□□ 090C22 MDFKA□□ 090-22 120
2284	27	3.1	128.593	6231	9326	5481	9327	7571	24	4.41E-03	GFL14 - 3A □□□ 090C22 MDFKA□□ 090-22 120
2438	25	2.8	136.889	6633	9326	5835	9327	7359	21	5.28E-03	GFL14 - 3A □□□ 090C22 MDFKA□□ 090-22 120
2785	22	2.7	156.148	7566	9326	6656	9327	7992	20	4.19E-03	GFL14 - 3A □□□ 090C22 MDFKA□□ 090-22 120
3037	20	2.6	170.074	8241	9326	7249	9327	8408	18	4.30E-03	GFL14 - 3A □□□ 090C22 MDFKA□□ 090-22 120
3625	17	2.1	202.074	9791	9326	8613	9327	8281	15	3.97E-03	GFL14 - 3A □□□ 090C22 MDFKA□□ 090-22 120
4035	15	2.0	224.636	10884	9326	9575	9327	8739	14	4.07E-03	GFL14 - 3A □□□ 090C22 MDFKA□□ 090-22 120
4546	14	2.0	253.111	12264	9326	10788	9327	9846	12	4.07E-03	GFL14 - 3A □□□ 090C22 MDFKA□□ 090-22 120
4926	13	1.9	273.778	13265	9326	11669	9327	9753	11	4.18E-03	GFL14 - 3A □□□ 090C22 MDFKA□□ 090-22 120
5995	10	1.7	332.444	15825	9326	14170	9327	10550	9.4	4.03E-03	GFL14 - 3A □□□ 090C22 MDFKA□□ 090-22 120
6370	9.9	1.5	352.811	15583	9326	15038	9327	10389	8.8	3.82E-03	GFL14 - 3A □□□ 090C22 MDFKA□□ 090-22 120
7178	8.8	1.5	397.533	17422	9326	16944	9327	11615	7.8	3.81E-03	GFL14 - 3A □□□ 090C22 MDFKA□□ 090-22 120
7788	8.1	1.3	430.222	15840	9326	15840	9327	10560	7.2	3.87E-03	GFL14 - 3A □□□ 090C22 MDFKA□□ 090-22 120
9475	6.7	1.1	522.133	15840	9326	15840	9327	10560	6.0	3.80E-03	GFL14 - 3A □□□ 090C22 MDFKA□□ 090-22 120
2195	26	2.5	64.296	3079	9325	3718	9326	5610	26	9.83E-03	GFL14 - 3A □□□ 100C22 MDFKA□□ 100-22 60
2352	25	2.3	68.708	3290	9325	3973	9326	5416	25	9.19E-03	GFL14 - 3A □□□ 100C22 MDFKA□□ 100-22 60
2650	22	2.3	77.418	3707	9325	4476	9326	6103	22	9.14E-03	GFL14 - 3A □□□ 100C22 MDFKA□□ 100-22 60
2915	20	2.1	85.037	4072	9325	4917	9326	6276	20	9.36E-03	GFL14 - 3A □□□ 100C22 MDFKA□□ 100-22 60

Observe the notes for thermal dimensioning.

Selection tables - Shaft-mounted helical gearboxes

Forced ventilated asynchronous geared servo motors

M ₂ [Nm]	n ₂ trans [rpm]	c	i	M ₂ max short-time on geared motor at				M ₂ Gr gearbox c=1 n ₁ ≤ 1400 rpm [Nm]	n ₂ therm [rpm]	J _{GM} referred to motor shaft [kgm ²]	Servo shaft-mounted helical geared motor Dimensions on Page 4-82
				8 kHz		16 kHz					
				M ₂ max [Nm]	Type EVS	M ₂ max [Nm]	Type EVS				
3605	16	1.9	104.889	5022	9325	6065	9326	6888	16	8.13E-03	GFL14 - 3A □□□ 100C22 MDFKA□□ 100-22 60
3930	15	1.7	114.126	5464	9325	6599	9326	6719	15	8.03E-03	GFL14 - 3A □□□ 100C22 MDFKA□□ 100-22 60
4428	13	1.7	128.593	6157	9325	7435	9326	7571	13	8.01E-03	GFL14 - 3A □□□ 100C22 MDFKA□□ 100-22 60
4721	12	1.6	136.889	6554	9325	7915	9326	7359	12	8.88E-03	GFL14 - 3A □□□ 100C22 MDFKA□□ 100-22 60
5388	11	1.5	156.148	7476	9325	9028	9326	8227	11	7.79E-03	GFL14 - 3A □□□ 100C22 MDFKA□□ 100-22 60
5874	10.0	1.4	170.074	8143	9325	9833	9326	8408	10.0	7.90E-03	GFL14 - 3A □□□ 100C22 MDFKA□□ 100-22 60
7783	7.6	1.1	224.636	10755	9325	12988	9326	8739	7.6	7.67E-03	GFL14 - 3A □□□ 100C22 MDFKA□□ 100-22 60
8769	6.7	1.1	253.111	12119	9325	14634	9326	9846	6.7	7.67E-03	GFL14 - 3A □□□ 100C22 MDFKA□□ 100-22 60
9495	6.2	1.0	273.778	13108	9325	14629	9326	9753	6.2	7.78E-03	GFL14 - 3A □□□ 100C22 MDFKA□□ 100-22 60
2185	55	2.2	64.296	4154	9327	3933	9328	5610	38	9.83E-03	GFL14 - 3A □□□ 100C22 MDFKA□□ 100-22 120
2335	51	2.2	68.708	4439	9327	4202	9328	5416	36	9.19E-03	GFL14 - 3A □□□ 100C22 MDFKA□□ 100-22 120
2631	45	2.2	77.418	5002	9327	4735	9328	6103	32	9.14E-03	GFL14 - 3A □□□ 100C22 MDFKA□□ 100-22 120
2894	41	2.0	85.037	5494	9327	5201	9328	6276	29	9.36E-03	GFL14 - 3A □□□ 100C22 MDFKA□□ 100-22 120
3578	33	1.8	104.889	6776	9327	6415	9328	6888	23	8.13E-03	GFL14 - 3A □□□ 100C22 MDFKA□□ 100-22 120
3901	31	1.6	114.126	7373	9327	6980	9328	6719	21	8.03E-03	GFL14 - 3A □□□ 100C22 MDFKA□□ 100-22 120
4395	27	1.6	128.593	8308	9327	7865	9328	7571	19	8.01E-03	GFL14 - 3A □□□ 100C22 MDFKA□□ 100-22 120
4686	26	1.5	136.889	8844	9327	8373	9328	7359	16	8.88E-03	GFL14 - 3A □□□ 100C22 MDFKA□□ 100-22 120
5347	22	1.5	156.148	10088	9327	9551	9328	8227	16	7.79E-03	GFL14 - 3A □□□ 100C22 MDFKA□□ 100-22 120
5829	21	1.4	170.074	10987	9327	10402	9328	8408	14	7.90E-03	GFL14 - 3A □□□ 100C22 MDFKA□□ 100-22 120
7723	16	1.1	224.636	13108	9327	13108	9328	8739	11	7.67E-03	GFL14 - 3A □□□ 100C22 MDFKA□□ 100-22 120
8701	14	1.1	253.111	14770	9327	14770	9328	9846	9.7	7.67E-03	GFL14 - 3A □□□ 100C22 MDFKA□□ 100-22 120
3754	27	1.5	64.296	6397	9326	8412	9328	5610	27	2.06E-02	GFL14 - 3A □□□ 112C22 MDFKA□□ 112-22 60
4017	25	1.3	68.708	6836	9326	8124	9328	5416	25	2.00E-02	GFL14 - 3A □□□ 112C22 MDFKA□□ 112-22 60
4526	22	1.3	77.418	7702	9326	9154	9328	6103	22	1.99E-02	GFL14 - 3A □□□ 112C22 MDFKA□□ 112-22 60
4976	20	1.3	85.037	8460	9326	9414	9328	6276	20	2.02E-02	GFL14 - 3A □□□ 112C22 MDFKA□□ 112-22 60
3365	55	1.4	64.296	6618	9328	8209	9330	5610	31	2.06E-02	GFL14 - 3A □□□ 112C22 MDFKA□□ 112-22 120
3596	51	1.4	68.708	7072	9328	8124	9330	5416	29	2.00E-02	GFL14 - 3A □□□ 112C22 MDFKA□□ 112-22 120
4051	45	1.4	77.418	7968	9328	9154	9330	6103	26	1.99E-02	GFL14 - 3A □□□ 112C22 MDFKA□□ 112-22 120
4454	41	1.3	85.037	8753	9328	9414	9330	6276	24	2.02E-02	GFL14 - 3A □□□ 112C22 MDFKA□□ 112-22 120

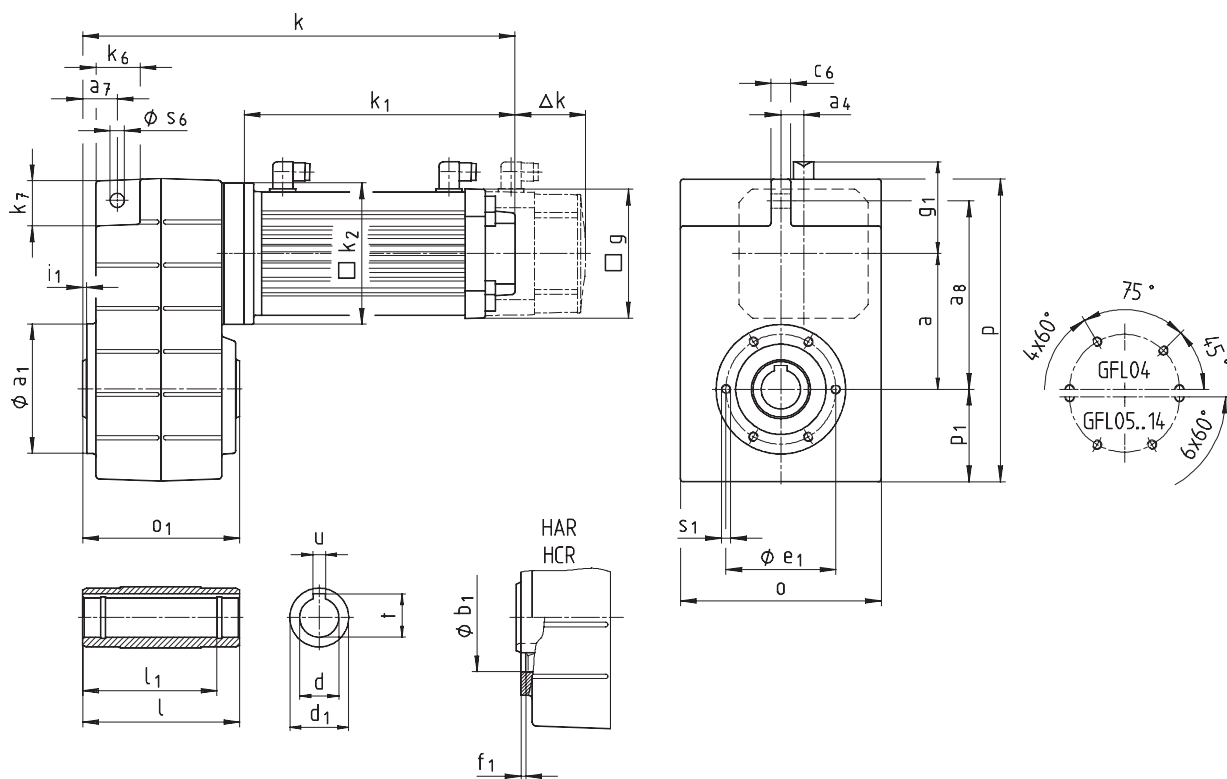
Observe the notes for thermal dimensioning.



Dimensions - Shaft-mounted helical gearboxes

Geared servo motors with resolver

GFL□□ - 2 $\frac{A}{S}$ H□R



Dimensions - Shaft-mounted helical gearboxes

Geared servo motors with resolver



Geared servo motor		S (synchronous servo motors)					A (asynchronous servo motors)											
GFL□□ - 2 A S HOR		056		071			056	071	080	090	100	112						
		C23	C33	C03	C13	C33	C22	C22	C22	C22	C22	C22						
Motor	g	102	102	131	131	131	102	131	142	165	192	214						
	g ₁	90	90	102	102	102	90	102	109	118	136	147						
	k ₂	145	145	145	145	145	145	145	180	180	222	265						
	k ₁ naturally ventilated	207	242	215	250	285	258	267	307	346	408	479						
	Δk** forced ventilated+brake	27	27	35	35	35	25	35	33	35	38	42						
	forced ventilated	-	-	68	68	68	-	68	62	89	97	96						
	forced ventilated+brake	-	-	103	103	103	-	103	95	124	135	138						
Gearbox size	Gearbox						Overall length											
	o*	o ₁	p*	p ₁	a	a ₄	k											
04	148	115	214	69	90.5	12.5	336	371	345	380	415	388	396					
05	165	140	252	78	112.5	18.5	358	393	366	401	436	409	418	468				
06	206	160	315	98	140	22	371	406	379	414	449	422	431	481	520			
07	256	200	386	118	173	29	404	439	412	447	482	455	464	514	553	621	700	
09	318	240	486	149	220	37.5								548	587	655	734	
11	395	290	600	181	276.5	50								589	628	696	775	
14	490	350	740	228	339	65										741	820	

Gearbox size	Hollow shaft						Pitch circle						Torque plate					
	d H7	l	d ₁	l ₁	u JS9	t +0.2	a ₁	b ₁ H7	e ₁	f ₁	i ₁	s ₁	a ₇	a ₈	c ₆	s ₆	k ₆	k ₇
04	25 35	115	45	100	8 8	28.3 33.3	110	75	90	3	2.5	M6x12	22.5	128	14	12.5	32	35
05	30 35	140	50	124	8 10	33.3 38.3	118	80	100	4	4	M8x15	29	155	16	14	35	38
06	40 45	160	65	140	12 14	43.3 48.8	140	100	120	4	5	M10x16	35	195	20	14	46	46
07	50 55	200	75	175	14 16	53.8 59.3	165	115	140	5	5	M12x18	44	240	25	18	56	56
09	60 70	240	95	210	18 20	64.4 74.9	205	145	175	6	5	M16x24	50	300	32	22	70	70
11	70 80	290	105	250	20 22	74.9 85.4	240	140	205	6	6	M20x32	65	375	40	26	84	90
14	100	350	135	305	28	106.4	290	170	250	6	7	M24x35	80	455	50	32	100	114

Dimensions in [mm]

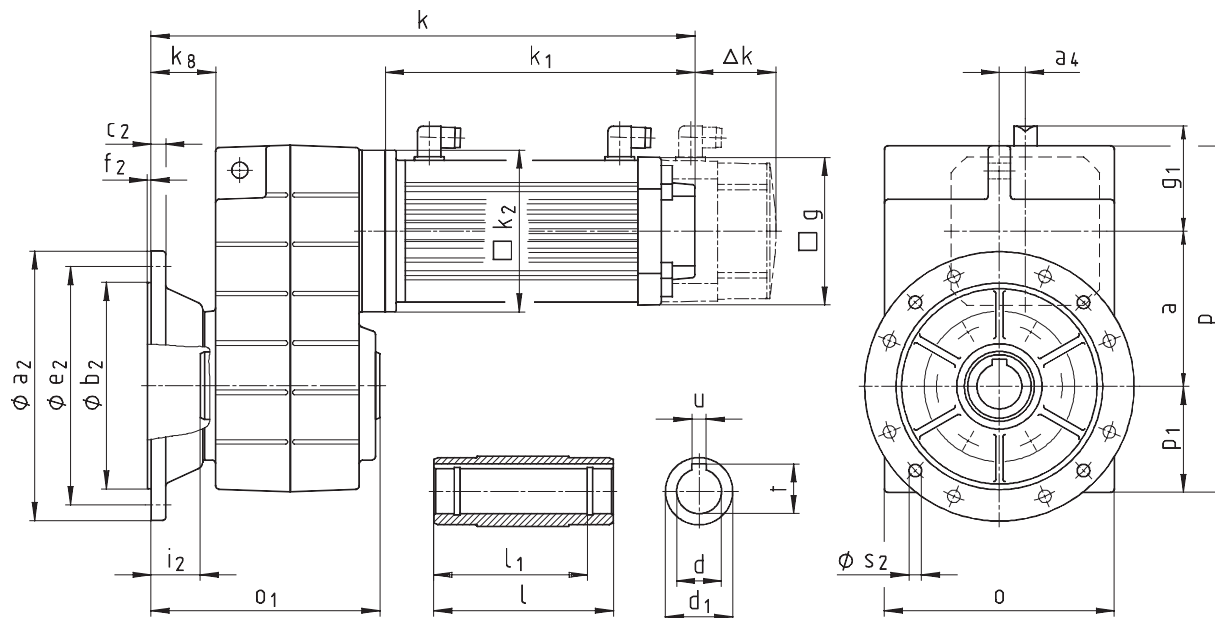
* Observe dimension k₂.

** See page 8-34 for more built-on accessories for motors

Dimensions - Shaft-mounted helical gearboxes

Geared servo motors with resolver

GFL□□ - 2 $\frac{A}{S}$ HCK



Dimensions - Shaft-mounted helical gearboxes

Geared servo motors with resolver



Geared servo motor GFL□□ - 2 A S HCK		S (synchronous servo motors)					A (asynchronous servo motors)											
		056		071			056	071	080	090	100	112						
		C23	C33	C03	C13	C33	C22	C22	C22	C22	C22	C22						
Motor	g	102	102	131	131	131	102	131	142	165	192	214						
	g₁	90	90	102	102	102	90	102	109	118	136	147						
	k₂	145	145	145	145	145	145	145	180	180	222	265						
	k₁ naturally ventilated	207	242	215	250	285	258	267	307	346	408	479						
	Δk** forced ventilated+brake	27	27	35	35	35	25	35	33	35	38	42						
	forced ventilated	-	-	68	68	68	-	68	62	89	97	96						
	forced ventilated+brake	-	-	103	103	103	-	103	95	124	135	138						
Gearbox size	Gearbox							Overall length										
	o*	o ₁	p*	p ₁	a	a ₄	k _g	k										
04	148	148	214	69	90.5	12.5	41	369	404	378	413	448	421	429				
05	165	173	252	78	112.5	18.5	46	391	426	399	434	469	442	451	501			
06	206	201	315	98	140	22	55	412	447	420	455	490	463	472	522	561		
07	256	255	386	118	173	29	72	459	494	467	502	537	510	519	569	608	676	755
09	318	300	486	149	220	37.5	77								608	647	715	794
11	395	350	600	181	276.5	50	85								649	688	756	835
14	490	410	740	228	339	65	89										801	880

Gearbox size	d		l	Hollow shaft				Output flange						
	H7			d ₁	l ₁	u JS9	t +0.2	a ₂	b ₂ j7	c ₂	e ₂	f ₂	i ₂	s ₂
04	25 30		115	45	100	8 8	28.3 33.3	160	110	10	130	3.5	33	4 x 9
05	30 35		140	50	124	8 10	33.3 38.3	200	130	12	165	3.5	33	4 x 11
06	40 45		160	65	140	12 14	43.3 48.8	200 250	130 180	12 15	165 215	3.5 4	42 41	4 x 11 4 x 14
07	50 55		200	75	175	14 16	53.8 59.3	250 300	180 230	15 17	215 265	4	55	4 x 14
09	60 70		240	95	210	18 20	64.4 74.9	350	250	18	300	4	60	4 x 17.5
11	70 80		290	105	250	20 22	74.9 85.4	400 450	300 350	20 22	350 400	5	60	4 x 17.5 8 x 17.5
14	100		350	135	305	28	106.4	450	350	22	400	5	60	8 x 17.5

Dimensions in [mm]

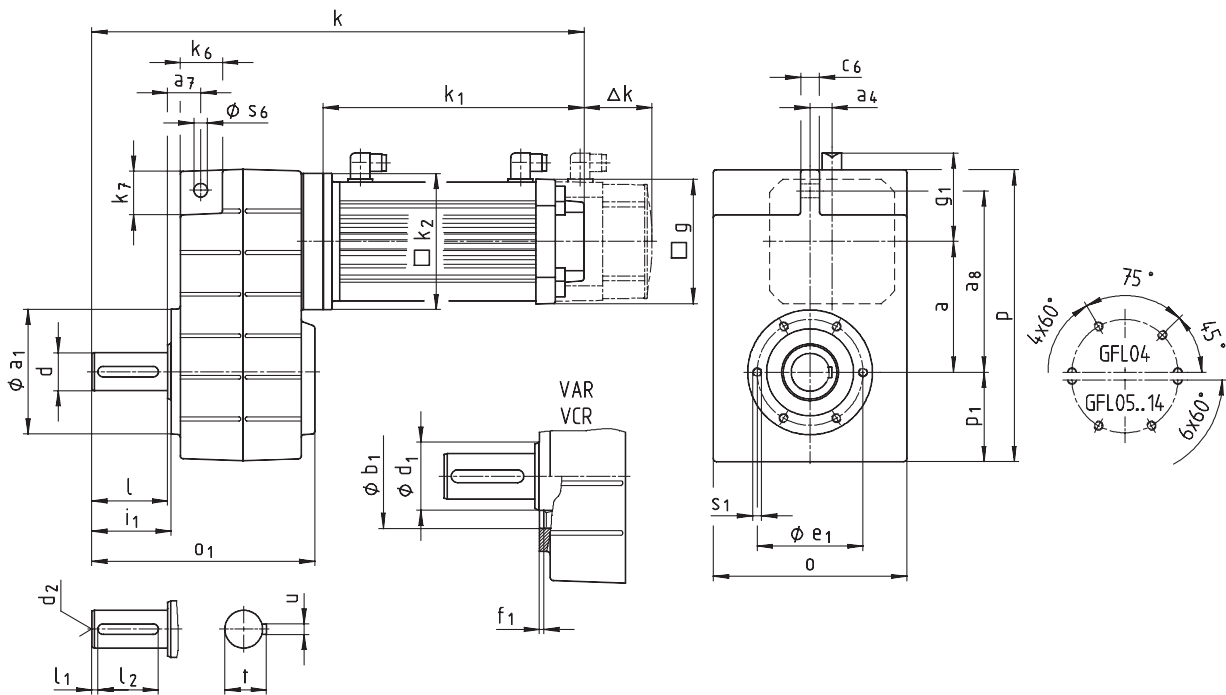
* Observe dimension k₂.

** See page 8-34 for more built-on accessories for motors

Dimensions - Shaft-mounted helical gearboxes

Geared servo motors with resolver

GFL□□ - 2 $\frac{A}{S}$ V□R



Dimensions - Shaft-mounted helical gearboxes

Geared servo motors with resolver



Geared servo motor		S (synchronous servo motors)					A (asynchronous servo motors)												
GFL□□ - 2 ^A S V□R		056		071			056	071	080	090	100	112							
		C23	C33	C03	C13	C33	C22	C22	C22	C22	C22	C22							
Motor	g	102	102	131	131	131	102	131	142	165	192	214							
	g ₁	90	90	102	102	102	90	102	109	118	136	147							
	k ₂	145	145	145	145	145	145	145	180	180	222	265							
	k ₁ naturally ventilated	207	242	215	250	285	258	267	307	346	408	479							
	Δk** forced ventilated+brake	27	27	35	35	35	25	35	33	35	38	42							
	forced ventilated	-	-	68	68	68	-	68	62	89	97	96							
	forced ventilated+brake	-	-	103	103	103	-	103	95	124	135	138							
Gearbox size	Gearbox						Overall length												
	o*	o ₁	p*	p ₁	a	a ₄	k												
04	148	163	214	69	90.5	12.5	386	421	395	430	465	438	446						
05	165	197	252	78	112.5	18.5	418	453	426	461	496	469	478	528					
06	206	236	315	98	140	22	451	486	459	494	529	502	511	561	600				
07	256	296	386	118	173	29	504	539	512	547	582	555	564	614	653	721	800		
09	318	356	486	149	220	37.5								668	707	775	854		
11	395	445	600	181	276.5	50								749	788	856	935		
14	490	544	740	228	339	65										941	1020		

Gearbox size	Solid shaft									Pitch circle					Torque plate					
	d	l	d ₁	l ₁	l ₂	d ₂	u	t	a ₁	b ₁ H7	e ₁	f ₁	i ₁	s ₁	a ₇	a ₈	c ₆	s ₆	k ₆	k ₇
04	25	50	45	4	40	M10	8	28	110	75	90	3	52.5	M6x12	22.5	128	14	12.5	32	35
05	30	60	50	6	45	M10	8	33	118	80	100	4	64	M8x15	29	155	16	14	35	38
06	40	80	65	7	63	M16	12	43	140	100	120	4	85	M10x16	35	195	20	14	46	46
07	50	100	75	8	80	M16	14	53.5	165	115	140	5	105	M12x18	44	240	25	18	56	56
09	60	120	95	8	100	M20	18	64	205	145	175	6	125	M16x24	50	300	32	22	70	70
11	80	160	105	15	125	M20	22	85	240	140	205	6	166	M20x32	65	375	40	26	84	90
14	100	200	135	18	160	M24	28	106	290	170	250	6	207	M24x35	80	455	50	32	100	114

Dimensions in [mm] d ≤ 50 mm: k6
d > 50 mm: m6

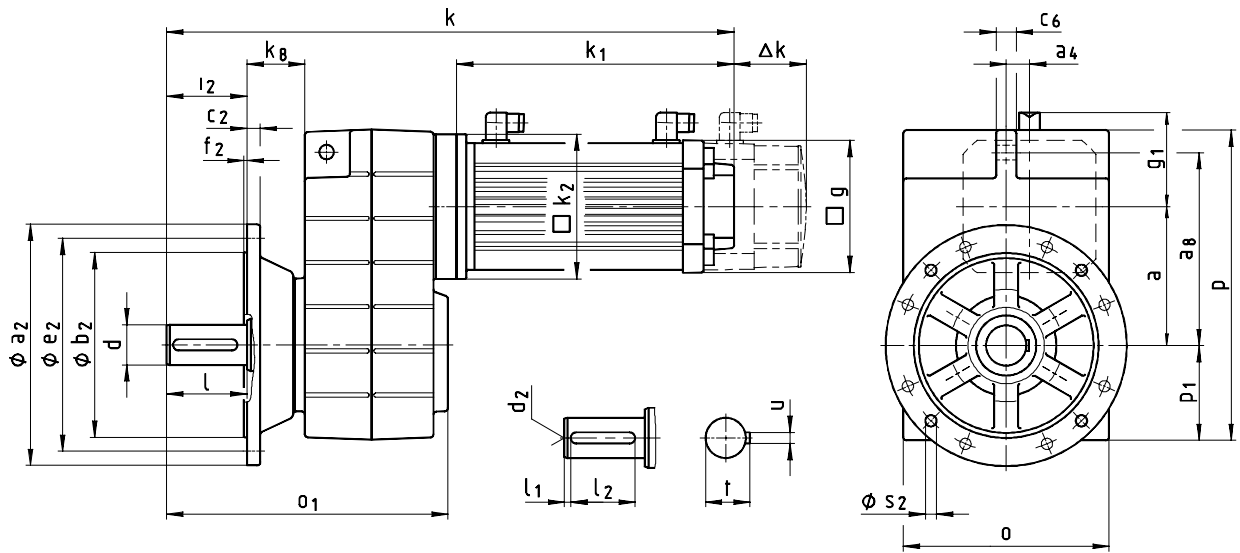
* Observe dimension k₂

** See page 8-34 for more built-on accessories for motors

Dimensions - Shaft-mounted helical gearboxes

Geared servo motors with resolver

GFL□□ - 2 $\frac{A}{S}$ VCK



Dimensions - Shaft-mounted helical gearboxes

Geared servo motors with resolver



Geared servo motor GFL□□ - 2 ^A _S VCK		S (synchronous servo motors)					A (asynchronous servo motors)											
		056		071			056	071	080	090	100	112						
		C23	C33	C03	C13	C33	C22	C22	C22	C22	C22	C22						
Motor	g	102	102	131	131	131	102	131	142	165	192	214						
	g ₁	90	90	102	102	102	90	102	109	118	136	147						
	k ₂	145	145	145	145	145	145	145	180	180	222	265						
	k ₁ naturally ventilated	207	242	215	250	285	258	267	307	346	408	479						
	Δk** forced ventilated+brake	27	27	35	35	35	25	35	33	35	38	42						
	forced ventilated	-	-	68	68	68	-	68	62	89	97	96						
	forced ventilated+brake	-	-	103	103	103	-	103	95	124	135	138						
Gearbox size	Gearbox							Overall length										
	o*	o ₁	p*	p ₁	a	a ₄	k _g	k										
04	148	196	214	69	90.5	12.5	41	419	454	428	463	498	471	479				
05	165	230	252	78	112.5	18.5	46	451	486	459	494	529	502	511	561			
06	206	277	315	98	140	22	55	492	527	500	535	570	543	552	602	641		
07	256	351	386	118	173	29	72	559	594	567	602	637	610	619	669	708	776	855
09	318	416	486	149	220	37.5	77								728	767	835	914
11	395	505	600	181	276.5	50	85								809	848	916	995
14	490	604	740	228	339	65	89										1001	1080

Gearbox size	Solid shaft								Output flange						
	d	l	l ₁	l ₂	d ₂	u	t	a ₂	b ₂ j7	c ₂	e ₂	f ₂	i ₂	s ₂	
04	25	50	4	40	M10	8	28	160	110	10	130	3.5	50	4 x 9	
05	30	60	6	45	M10	8	33	200	130	12	165	3.5	60	4 x 11	
06	40	80	7	63	M16	12	43	250	180	15	215	4	80	4 x 14	
07	50	100	8	80	M16	14	53.5	250 300	180 230	15 17	215 265	4	100	4 x 14	
09	60	120	8	100	M20	18	64	350	250	18	300	4	120	4 x 17.5	
11	80	160	15	125	M20	22	85	400 450	300 350	20 22	350 400	5	160	4 x 17.5 8 x 17.5	
14	100	200	18	160	M24	28	106	450	350	22	400	5	200	8 x 17.5	

Dimensions in [mm] d ≤ 50 mm: k6
d > 50 mm: m6

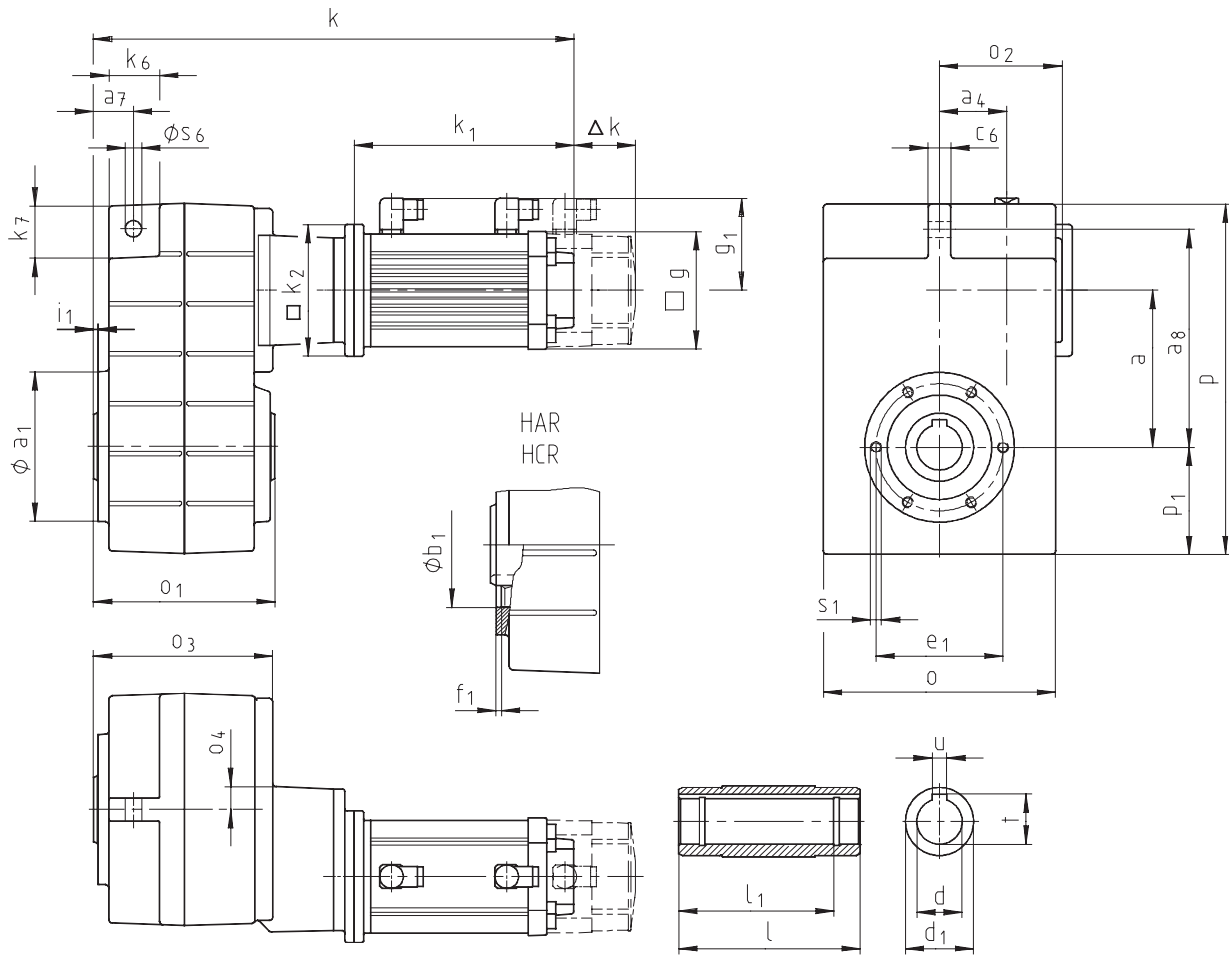
* Observe dimension k₂

** See page 8-34 for more built-on accessories for motors

Dimensions - Shaft-mounted helical gearboxes

Geared servo motors with resolver

GFL□□ - 3 $\frac{A}{S}$ H□R



Dimensions - Shaft-mounted helical gearboxes

Geared servo motors with resolver



Geared servo motor		S (synchronous servo motors)					A (asynchronous servo motors)																
GFL□□ - 3 ^A S H□□		056		071			056	071	080	090	100	112											
		C23	C33	C03	C13	C33	C22	C22	C22	C22	C22	C22											
Motor	g	102	102	131	131	131	102	131	142	165	192	214											
	g ₁	90	90	102	102	102	90	102	109	118	136	147											
	k ₂	145	145	145	145	145	145	145	180	180	222	265											
	k ₁	naturally ventilated	207	242	215	250	285	258	267	307	346	408	479										
	Δk**	forced ventilated+brake	27	27	35	35	35	25	35	33	35	38	42										
		forced ventilated	-	-	68	68	68	-	68	62	89	97	96										
forced ventilated+brake		-	-	103	103	103	-	103	95	124	135	138											
Gearbox size	Gearbox									Overall length													
	o*	o ₁	o ₂	o ₃	o ₄	p*	p ₁	a	a ₄	k													
05	165	140	107	141	23	252	78	112.5	54.5	434	469	443	478	513	486	494							
06	206	160	111	160	20	315	98	140	58	464	499	473	508	543	516	524							
07	256	200	135	199	24	386	118	173	74	508	543	517	552	587	560	568	618						
09	318	240	170	238	27	486	149	220	93.5	560	595	569	604	639	612	620	670	709					
11	395	290	216	285	34	600	181	276.5	120	620	655	629	664	699	672	680	730	769	838	916			
14	490	350	271	340	38	740	228	339	154								809	848	917	995			

Gearbox size	Hollow shaft						Pitch circle						Torque plate					
	d H7	l	d ₁	l ₁	u JS9	t +0.2	a ₁	b ₁ H7	e ₁	f ₁	i ₁	s ₁ 6 x 60°	a ₇	a ₈	c ₆	s ₆	k ₆	k ₇
05	30 35	140	50	124	8 10	33.3 38.3	118	80	100	4	4	M8x15	29	155	16	14	35	38
06	40 45	160	65	140	12 14	43.3 48.8	140	100	120	4	5	M10x16	35	195	20	14	46	46
07	50 55	200	75	175	14 16	53.8 59.3	165	115	140	5	5	M12x18	44	240	25	18	56	56
09	60 70	240	95	210	18 20	64.4 74.9	205	145	175	6	5	M16x24	50	300	32	22	70	70
11	70 80	290	105	250	20 22	74.9 85.4	240	140	205	6	6	M20x32	65	375	40	26	84	90
14	100	350	135	305	28	106.4	290	170	250	6	7	M24x35	80	455	50	32	100	114

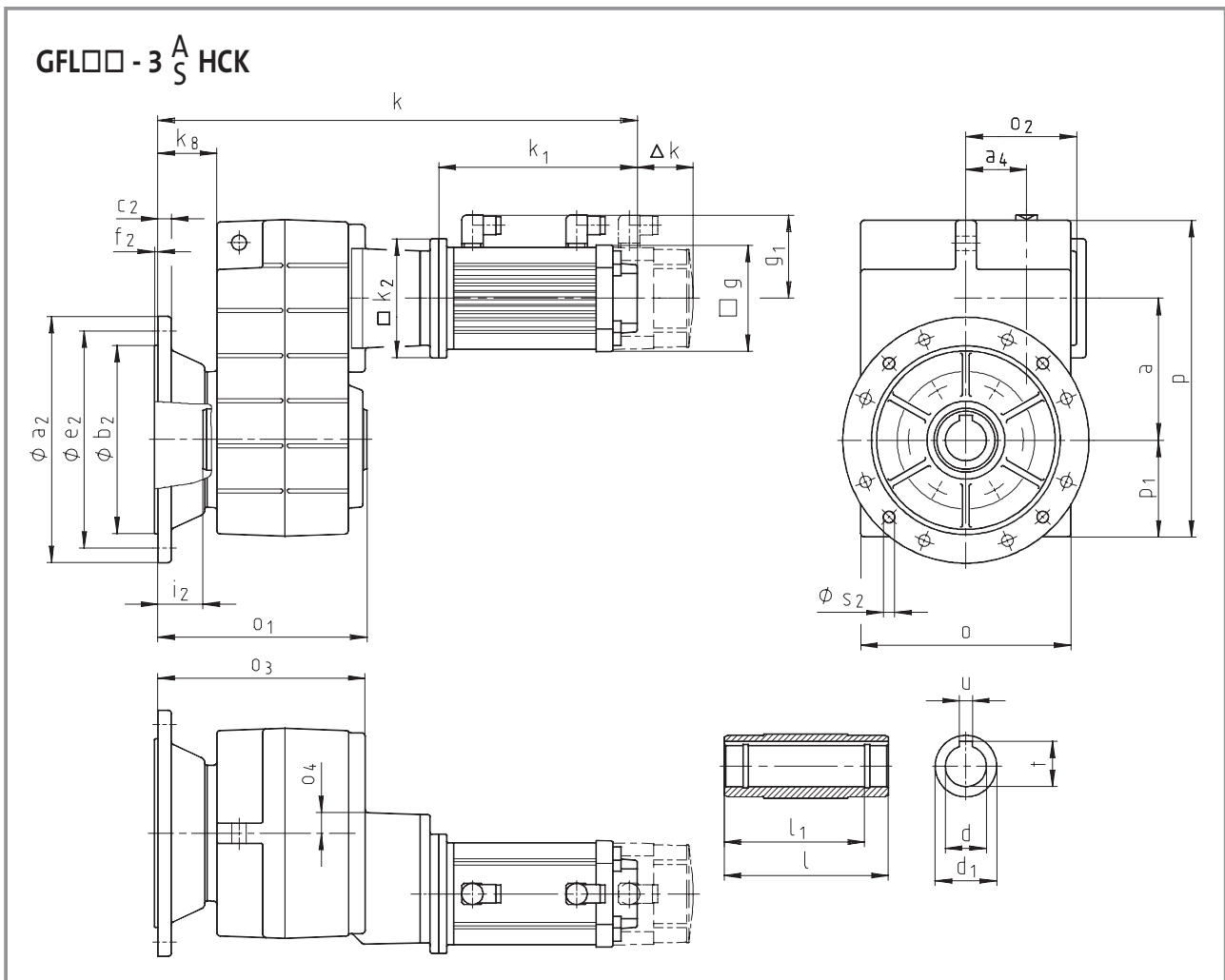
Dimensions in [mm]

* Observe dimension k₂.

** See page 8-34 for more built-on accessories for motors

Dimensions - Shaft-mounted helical gearboxes

Geared servo motors with resolver



Dimensions - Shaft-mounted helical gearboxes

Geared servo motors with resolver



Geared servo motor GFL□□ - 3^A_S HCK		S (synchronous servo motors)					A (asynchronous servo motors)														
		056		071			056	071	080	090	100	112									
		C23	C33	C03	C13	C33	C22	C22	C22	C22	C22	C22									
Motor	g	102	102	131	131	131	102	131	142	165	192	214									
	g ₁	90	90	102	102	102	90	102	109	118	136	147									
	k ₂	145	145	145	145	145	145	145	180	180	222	265									
	k ₁	naturally ventilated	207	242	215	250	285	258	267	307	346	408	479								
	Δk**	forced ventilated+brake	27	27	35	35	35	25	35	33	35	38	42								
		forced ventilated	-	-	68	68	68	-	68	62	89	97	96								
forced ventilated+brake		-	-	103	103	103	-	103	95	124	135	138									
Gearbox size	Gearbox										Overall length										
	o*	o ₁	o ₂	o ₃	o ₄	p*	p ₁	a	a ₄	k ₈	k										
05	165	173	107	174	23	252	78	112.5	54.5	46	467	502	476	511	546	519	527				
06	206	201	111	201	20	315	98	140	58	55	505	540	514	549	584	557	565				
07	256	255	135	254	24	386	118	173	74	72	563	598	572	607	642	615	623	673			
09	318	300	170	298	27	486	149	220	93.5	77	620	655	629	664	699	672	680	730	769		
11	395	350	216	345	34	600	181	276.5	120	85	680	715	689	724	759	732	740	790	829	898	976
14	490	410	271	400	38	740	228	339	154	89								869	908	977	1055

Gearbox size	Hollow shaft						Output flange						
	d H7	l	d ₁	l ₁	u JS9	t +0.2	a ₂	b ₂ j7	c ₂	e ₂	f ₂	i ₂	s ₂
05	30 35	140	50	124	8 10	33.3 38.3	200	130	12	165	3.5	33	4 x 11
06	40 45	160	65	140	12 14	43.3 48.8	200 250	130 180	12 15	165 215	3.5 4	42 41	4 x 11 4 x 14
07	50 55	200	75	175	14 16	53.8 59.3	250 300	180 230	15 17	215 265	4	55	4 x 14
09	60 70	240	95	210	18 20	64.4 74.9	350	250	18	300	4	60	4 x 17.5
11	70 80	290	105	250	20 22	74.9 85.4	400 450	300 350	20 22	350 400	5	60	4 x 17.5 8 x 17.5
14	100	350	135	305	28	106.4	450	350	22	400	5	60	8 x 17.5

Dimensions in [mm]

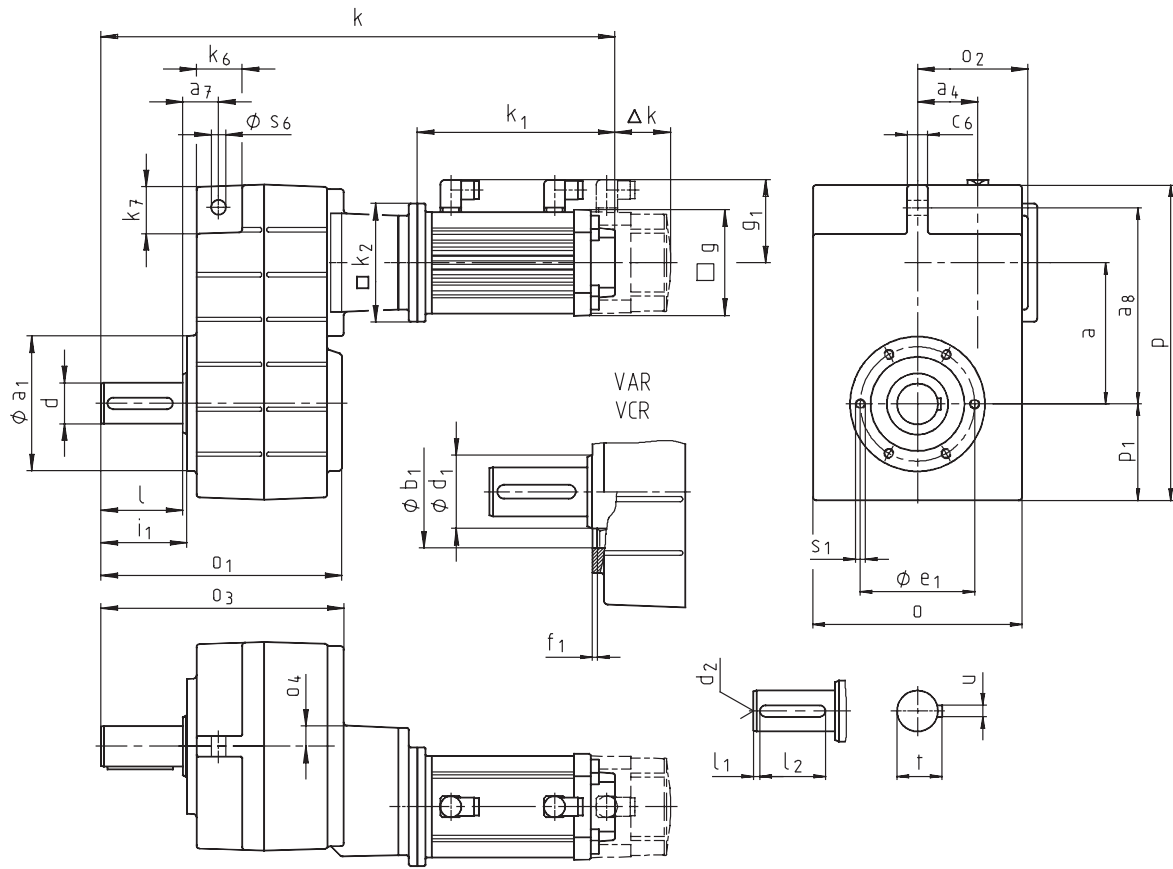
* Observe dimension k₂.

** See page 8-34 for more built-on accessories for motors

Dimensions - Shaft-mounted helical gearboxes

Geared servo motors with resolver

GFL□□ - 3 $\frac{A}{S}$ VQR



Dimensions - Shaft-mounted helical gearboxes

Geared servo motors with resolver



Geared servo motor		S (synchronous servo motors)					A (asynchronous servo motors)																	
GFL□□ - 3 ^A _S V□R		056		071			056	071	080	090	100	112												
		C23	C33	C03	C13	C33	C22	C22	C22	C22	C22	C22												
Motor	g	102	102	131	131	131	102	131	142	165	192	214												
	g ₁	90	90	102	102	102	90	102	109	118	136	147												
	k ₂	145	145	145	145	145	145	145	180	180	222	265												
	k ₁	naturally ventilated	207	242	215	250	285	258	267	307	346	408	479											
	Δk**	forced ventilated+brake	27	27	35	35	35	25	35	33	35	38	42											
		forced ventilated	-	-	68	68	68	-	68	62	89	97	96											
forced ventilated+brake		-	-	103	103	103	-	103	95	124	135	138												
Gearbox size	Gearbox									Overall length														
	o*	o ₁	o ₂	o ₃	o ₄	p*	p ₁	a	a ₄	k														
05	165	197	107	201	23	252	78	112.5	54.5	494	529	503	538	573	546	554								
06	206	236	111	240	20	315	98	140	58	544	579	553	588	623	596	604								
07	256	296	135	299	24	386	118	173	74	608	643	617	652	687	660	668	718							
09	318	356	170	358	27	486	149	220	93.5	680	715	689	724	759	732	740	790	829						
11	395	445	216	445	34	600	181	276.5	120	780	815	789	824	859	832	840	890	929	998	1076				
14	490	544	271	540	38	740	228	339	154								1009	1048	1117	1195				

Gearbox size	Solid shaft									Pitch circle					Torque plate					
	d	l	d ₁	l ₁	l ₂	d ₂	u	t	a ₁	b ₁ H7	e ₁	f ₁	i ₁	s ₁ 6 x 60°	a ₇	a ₈	c ₆	s ₆	k ₆	k ₇
05	30	60	50	6	45	M10	8	33	118	80	100	4	64	M8x15	29	155	16	14	35	38
06	40	80	65	7	63	M16	12	43	140	100	120	4	85	M10x16	35	195	20	14	46	46
07	50	100	75	8	80	M16	14	53.5	165	115	140	5	105	M12x18	44	240	25	18	56	56
09	60	120	95	8	100	M20	18	64	205	145	175	6	125	M16x24	50	300	32	22	70	70
11	80	160	105	15	125	M20	22	85	240	140	205	6	166	M20x32	65	375	40	26	84	90
14	100	200	135	18	160	M24	28	106	290	170	250	6	207	M24x35	80	455	50	32	100	114

Dimensions in [mm]

d ≤ 50 mm: k6
d > 50 mm: m6

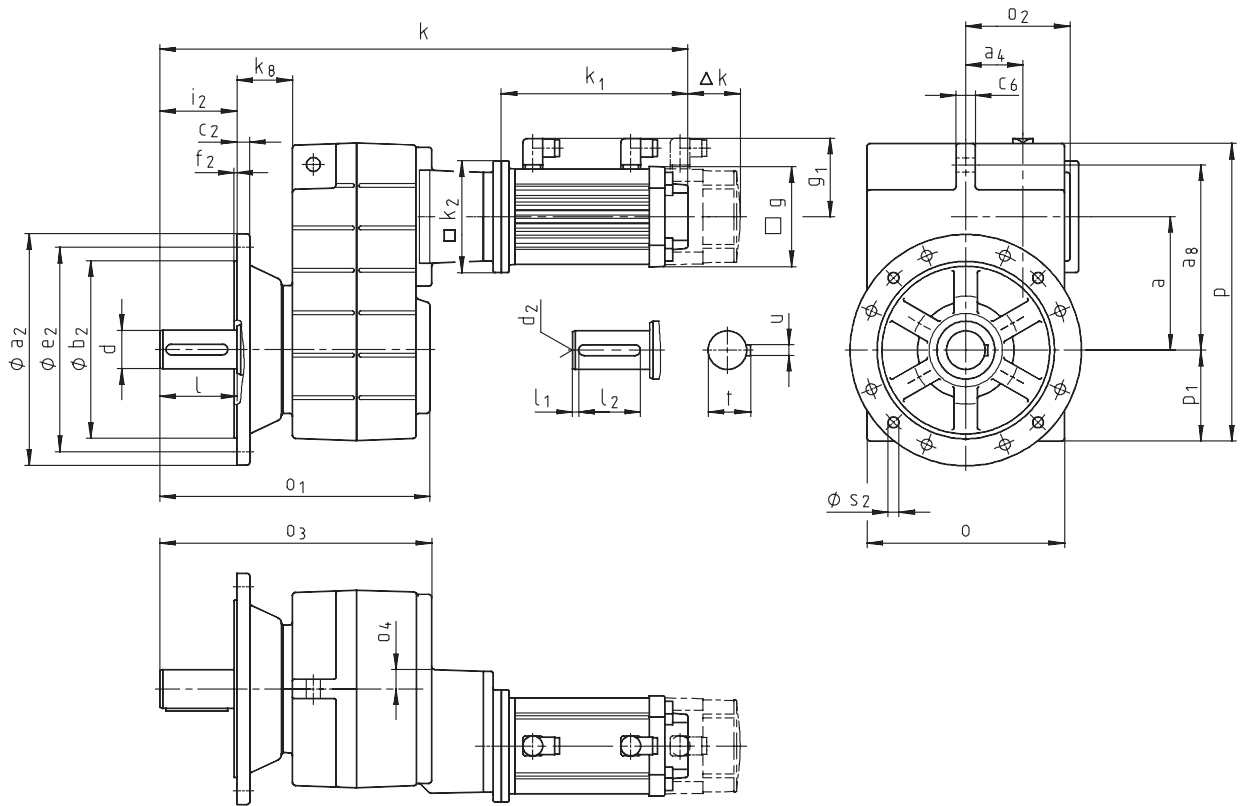
* Observe dimension k₂

** See page 8-34 for more built-on accessories for motors

Dimensions - Shaft-mounted helical gearboxes

Geared servo motors with resolver

GFL□□ - 3 $\frac{A}{S}$ VCK



Dimensions - Shaft-mounted helical gearboxes

Geared servo motors with resolver



Geared servo motor GFL□□ - 3 ^A _S VCK		S (synchronous servo motors)					A (asynchronous servo motors)																	
		056		071			056	071	080	090	100	112												
		C23	C33	C03	C13	C33	C22	C22	C22	C22	C22	C22												
Motor	g	102	102	131	131	131	102	131	142	165	192	214												
	g ₁	90	90	102	102	102	90	102	109	118	136	147												
	k ₂	145	145	145	145	145	145	145	180	180	222	265												
	k ₁	naturally ventilated																						
	Δk**	forced ventilated+brake																						
		27	27	35	35	35	25	35	33	35	38	42												
		forced ventilated																						
		-	-	68	68	68	-	68	62	89	97	96												
		forced ventilated+brake																						
		-	-	103	103	103	-	103	95	124	135	138												
Gearbox size	Gearbox											Overall length												
	o*	o ₁	o ₂	o ₃	o ₄	p*	p ₁	a	a ₄	k ₈	k													
05	165	230	107	234	23	252	78	112.5	54.5	46	527	562	536	571	606	579	587							
06	206	277	111	281	20	315	98	140	58	55	585	620	594	629	664	637	645							
07	256	351	135	354	24	386	118	173	74	72	663	698	672	707	742	715	723	773						
09	318	416	170	418	27	486	149	220	93.5	77	740	775	749	784	819	792	800	850	889					
11	395	505	216	505	34	600	181	276.5	120	85	840	875	849	884	919	892	900	950	989	1058	1136			
14	490	604	271	600	38	740	228	339	154	89								1069	1108	1177	1255			

Gearbox size	Solid shaft								Output flange						
	d	l	l ₁	l ₂	d ₂	u	t	a ₂	b ₂ j7	c ₂	e ₂	f ₂	i ₂	s ₂	
05	30	60	6	45	M10	8	33	200	130	12	165	3.5	60	4 x 11	
06	40	80	7	63	M16	12	43	250	180	15	215	4	80	4 x 14	
07	50	100	8	80	M16	14	53.5	250 300	180 230	15 17	215 265	4	100	4 x 14	
09	60	120	8	100	M20	18	64	350	250	18	300	4	120	4 x 17.5	
11	80	160	15	125	M20	22	85	400 450	300 350	20 22	350 400	5	160	4 x 17.5 8 x 17.5	
14	100	200	18	160	M24	28	106	450	350	22	400	5	200	8 x 17.5	

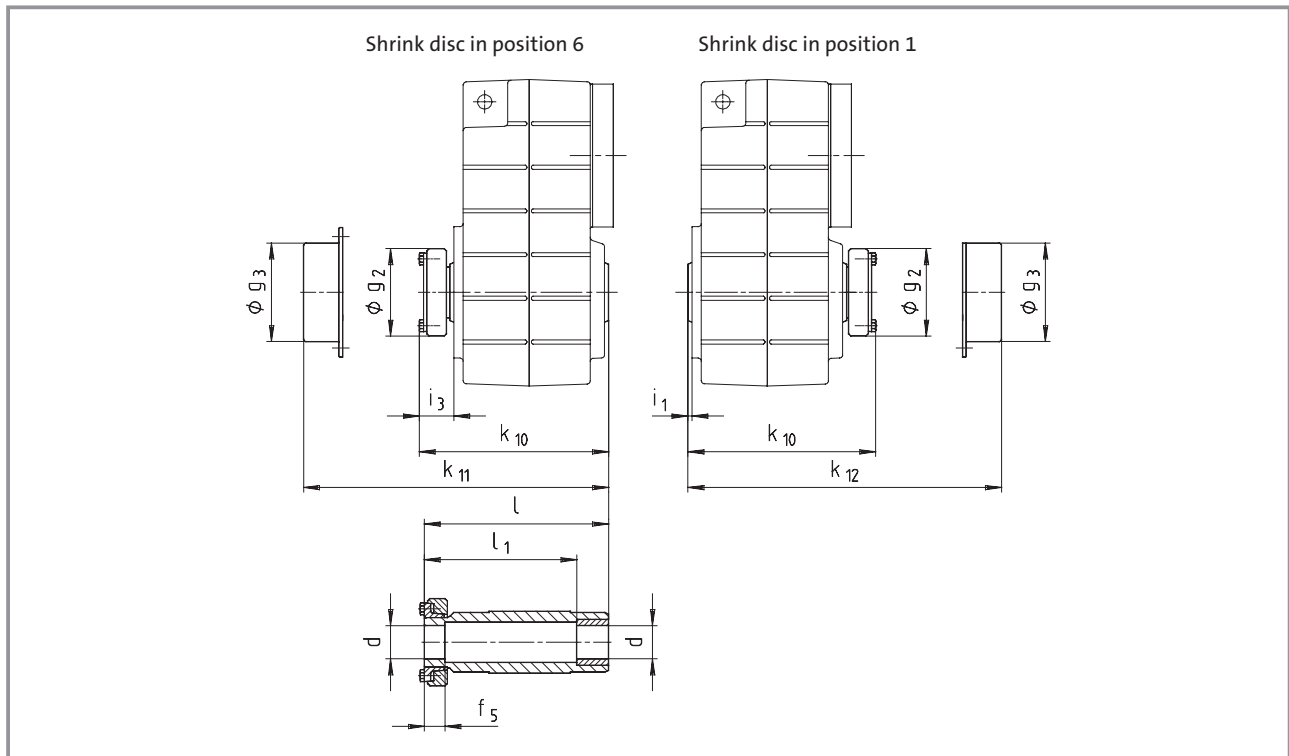
Dimensions in [mm]

d ≤ 50 mm: k6
d > 50 mm: m6

* Observe dimension k₂

** See page 8-34 for more built-on accessories for motors

Hollow shaft with shrink disc



Gearbox	Machine shaft *		Hollow shaft with shrink disc							Cover size		
	d	Fit	i ₁	i ₃	g ₂	k ₁₀	l	l ₁	f ₅	g ₃	k ₁₁	k ₁₂
04	25 30	h6	2.5	35	72	147.5	142	122	26	79	154	-
05	35	h6	4	37.5	80	173.5	168	148	28	90	179	-
06	40	h6	5	44.5	90	199.5	194	164	30	100	204	205
07	50	h6	5	42.5	110	237.5	232	192	26	124	244	245
09	65	h6	5	50	141	285	278	228	30	159	287	288
11	80	h6	6	61	170	345	338	238	42	191	349	350
14	100	h6	7	72	215	415	407	307	55	253	421	422

* Ensure that the strength of the shaft material is adequate in shrink disc designs. When using typical steels (e.g. C45, 42CrMo4), the torques listed in the selection tables can be used without restriction.

When using material that is considerably weaker, please consult with us. Medium surface roughness Rz must not exceed 15 µm (turning operation is sufficient).

Dimensions in [mm]

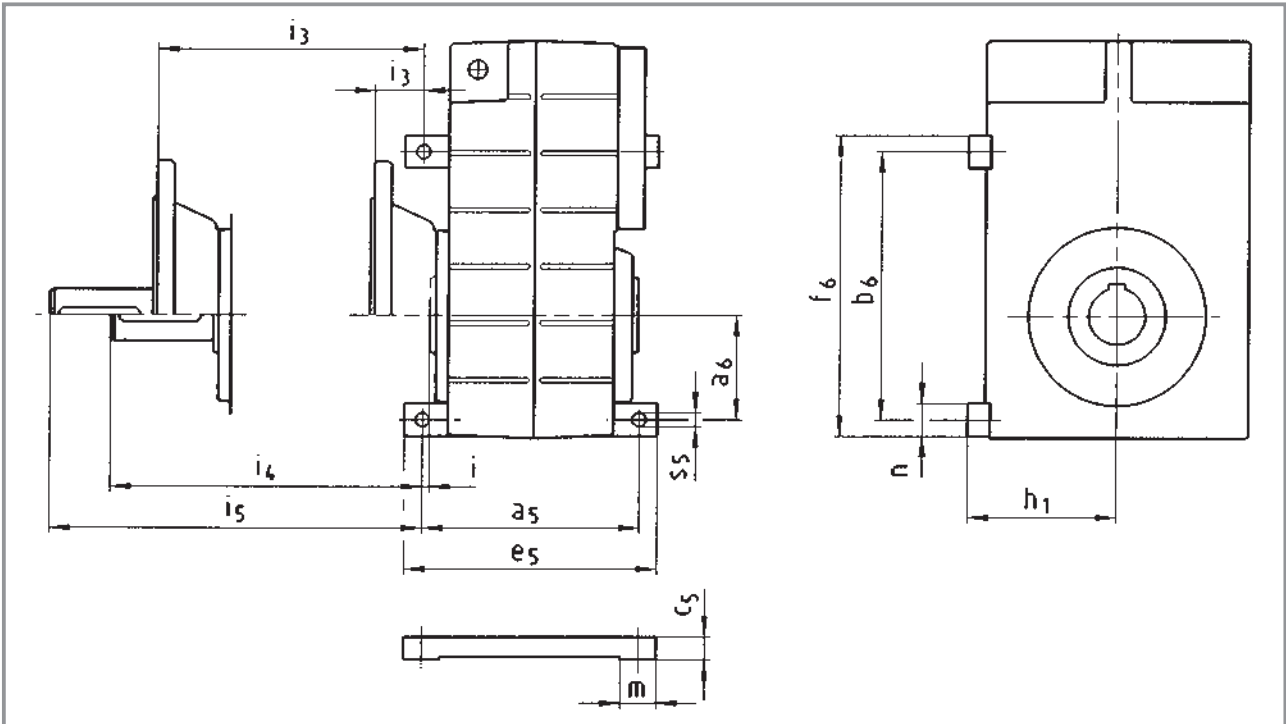
Shrink disc combination options at the drive end (position 1)

Gearbox	Geared servo motor GFL□□-2 with motor frame size size					
	056	071	080	090	100	112
04						
05						
06	●	●	● 1)	● 1)		
07	●	●	●	●	● 1)	
09			●	●	●	●
11			●	●	●	●
14					●	●

1) Without cover
 With GFL□□-2 and shrink disc in position 1, terminal box/connector position 4 is not permissible.
 With GFL□□-3, all designs are possible.
 Dimensions in [mm].



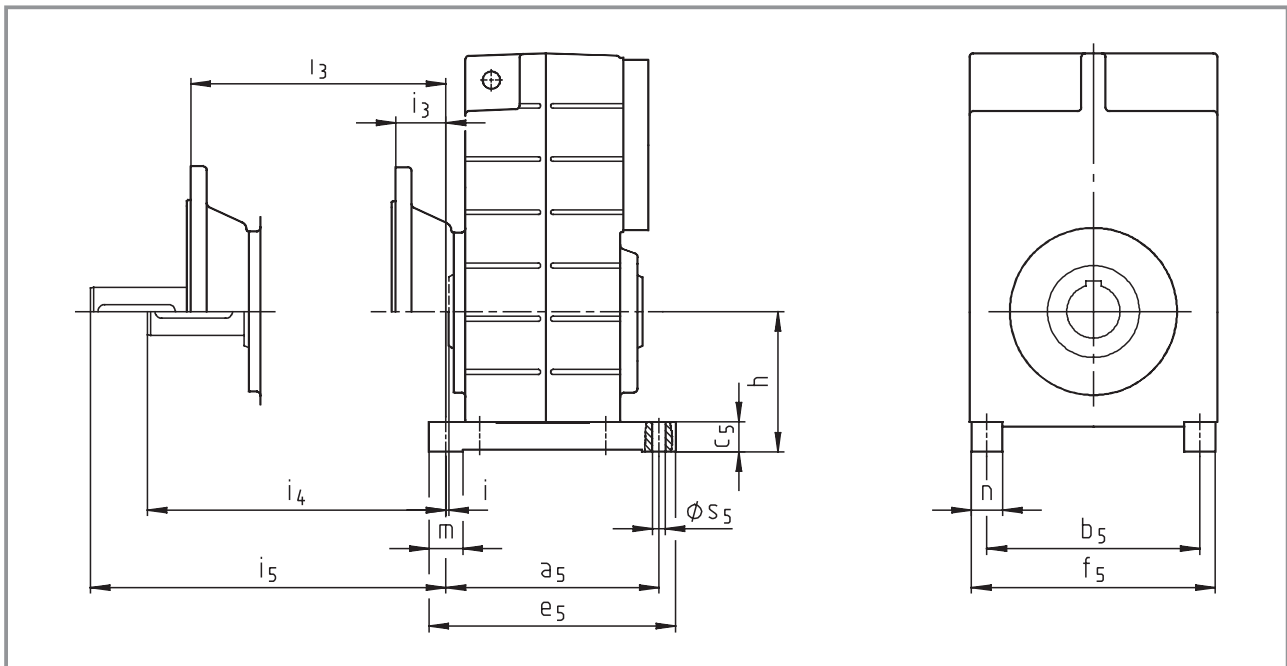
Foot mounting in position 3



Gearbox size	Gearbox						Foot (in position 3)									Foot not possible with drive-end version
	a ₆	h ₁	HQR i	HQK i ₃	VQR i ₄	VQK i ₅	a ₅	b ₆	c ₅	e ₅	f ₆	n	m	s ₅	A/S	
04	47	90	4.5	28.5	45.5	78.5	130	115	18	152	140	25	22	6.6		
05	65	100	2	31	58	91	160	167	21	185	192	25	25	9	> 071	
06	80	125	2	39	78	119	175	205	27	205	233	28	30	11		
07	100	155	3	52	97	152	220	260	31	255	292	32	35	13.5		
09	125	190	3	57	117	177	260	335	36	300	375	40	40	17.5		
11	155	240	3	57	157	217	315	435	48	365	485	50	50	22		
14	200	295	3	57	197	257	375	540	57	430	600	60	55	26		

Dimensions in [mm]
Connector/terminal box position 3 not permissible.

Foot mounting in position 4



4

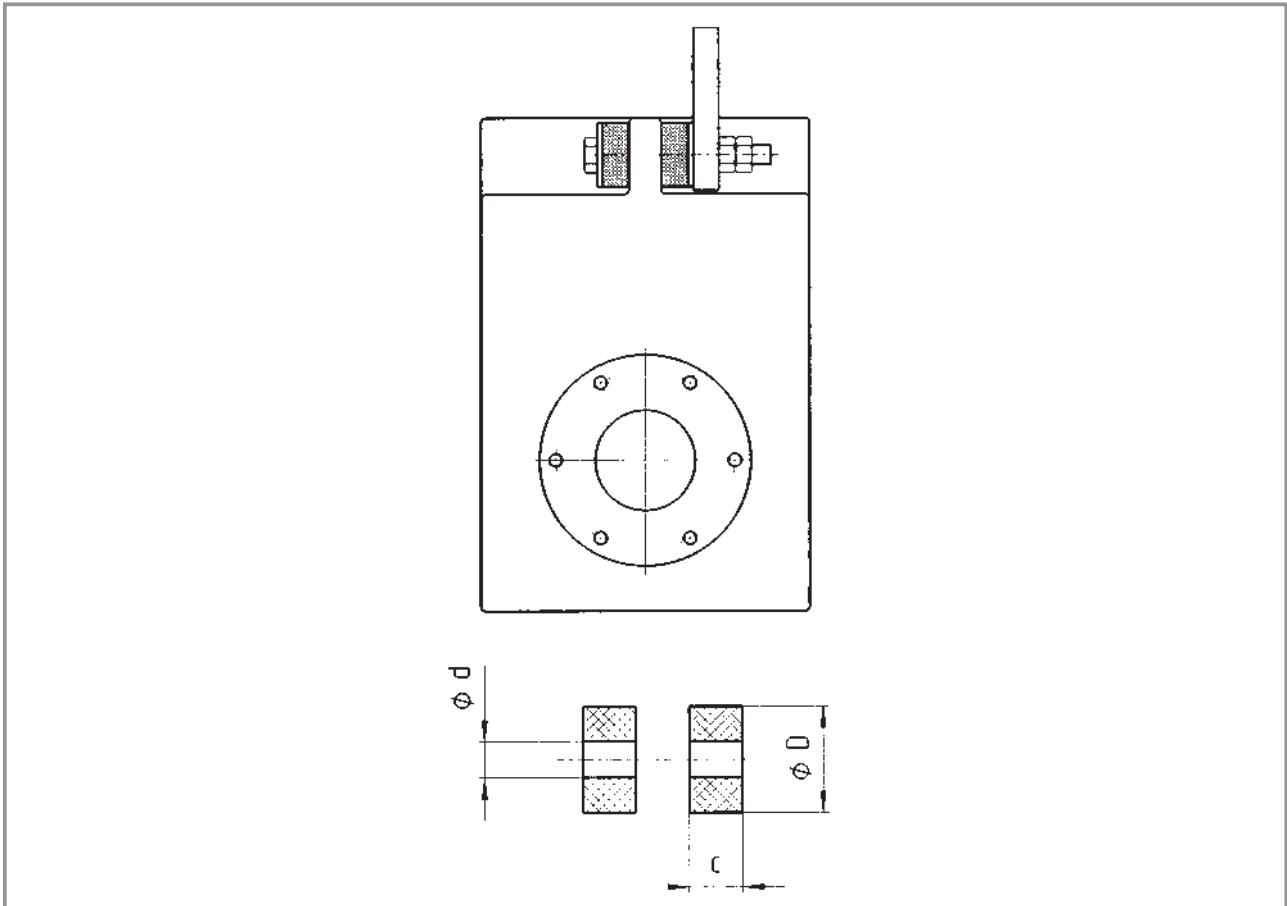
Gearbox size	Gearbox					Foot (in position 4)								
	h	HQR i	HOK i ₃	VOR i ₄	VOK i ₅	a ₅	b ₅	c ₅	e ₅	f ₅	n	m	s ₅	
04	85	4.5	28.5	45.5	78.5	130	108	18	152	133	25	22	6.6	
05	95	2	31	58	91	160	140	21	185	165	25	25	9	
06	120	2	39	78	119	175	175	27	205	203	28	30	11	
07	145	3	52	97	152	220	220	31	255	252	32	35	13.5	
09	180	3	57	117	177	260	275	36	300	315	40	40	17.5	
11	224	3	57	157	217	315	340	48	365	390	50	50	22	
14	278	3	57	197	257	375	425	57	430	485	60	60	26	

Dimensions in [mm]

Note: With mounting positions E and F, the oil control plug/oil-sight glass are located between the feet in position 4.



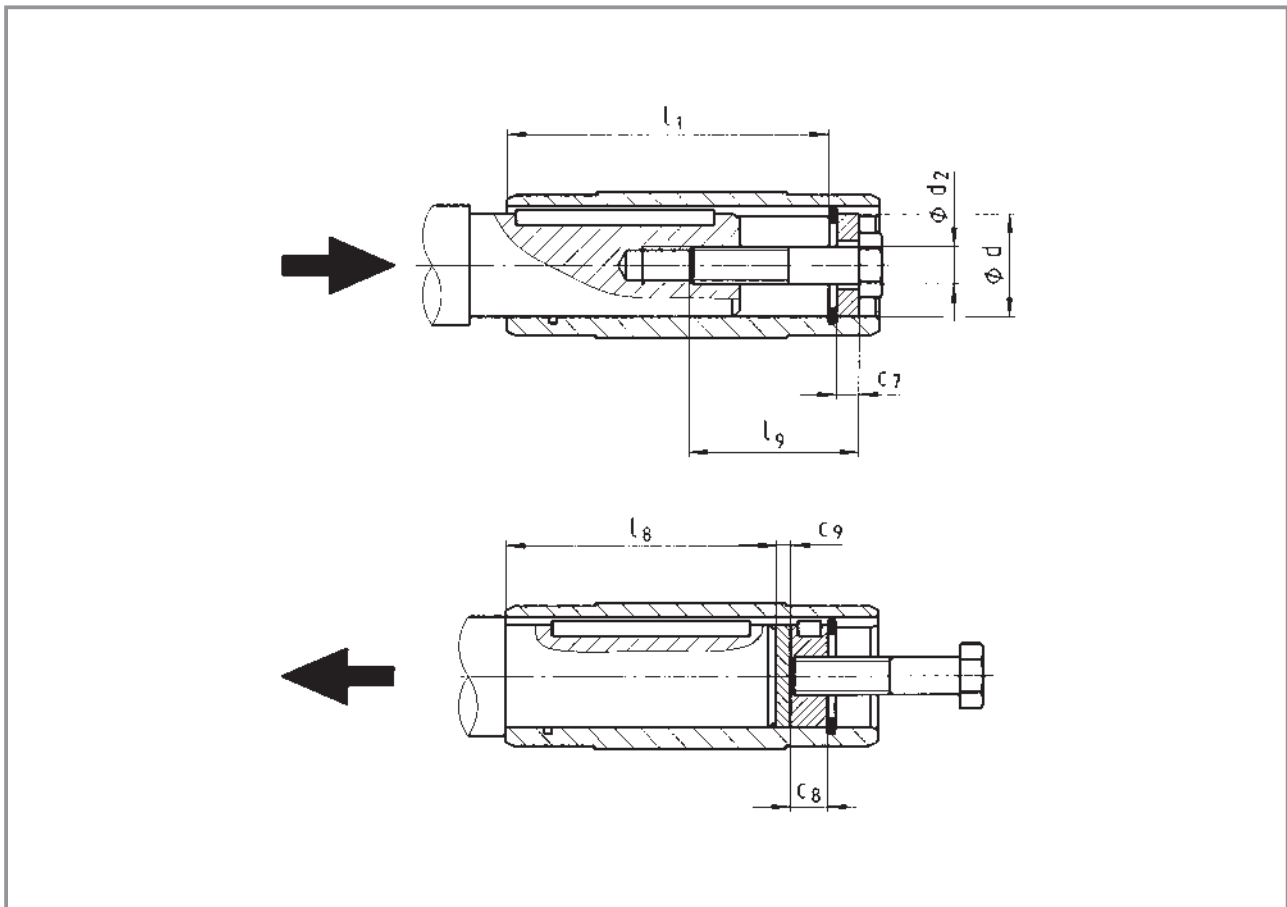
Rubber buffer set



Gearbox size	d	D	c
04	11	30	14.5
05	11	30	14.5
06	13	40	15
07	17	50	27
09	21	60	28
11	26	72	29
14	33	92	30

Dimensions in [mm]

Mounting set for hollow shaft circlip/proposed design for auxiliary tools



Gearbox size	Hollow shaft (design H)			Mounting set for hollow shaft circlip (mounting auxiliary tool)			Dismounting auxiliary tool		Machine shaft max l_8
	l	l_1	d H7	d_2	l_9	c_7	c_8	c_9	
04	115	100	25 30	M10 M10	40	5 6	10	3	85
05	140	124	30 35	M10 M12	40 50	6 7	10 12	3	107
06	160	140	40 45	M16	60	8 9	16	4	118
07	200	175	50 55	M16 M20	60 80	10 11	16 20	5	148
09	240	210	60 70	M20	80	13 14	20	5	182
11	290	250	70 80	M20	80	14 16	20	6	221
14	350	305	100	M24	100	20	24	8	270

Dimensions in [mm]





Technical data

Permissible radial and axial forces -

Output	5-2
Output backlash	5-4
Ratios	5-5
Weights	5-8

Selection tables

Synchronous geared servo motors	5-9
Naturally ventilated	5-9
Forced ventilated	5-15
Asynchronous geared servo motors	5-18
Naturally ventilated	5-18
Forced ventilated	5-23

Dimensions

Geared servo motors with resolver	5-28
2-stage	5-28
Further dimensions	5-33
Hollow shaft with shrink disc	5-33
Gearbox with 2nd output shaft end	5-33
Hoseproof hollow shaft cover	5-34
Rubber buffer for torque plate	5-34
Torque plate at pitch circle	5-35
Torque plate at housing foot	5-37
Mounting set for hollow shaft circlip	5-37
Proposed design for auxiliary tools	5-37

Bevel gearboxes GKR□□

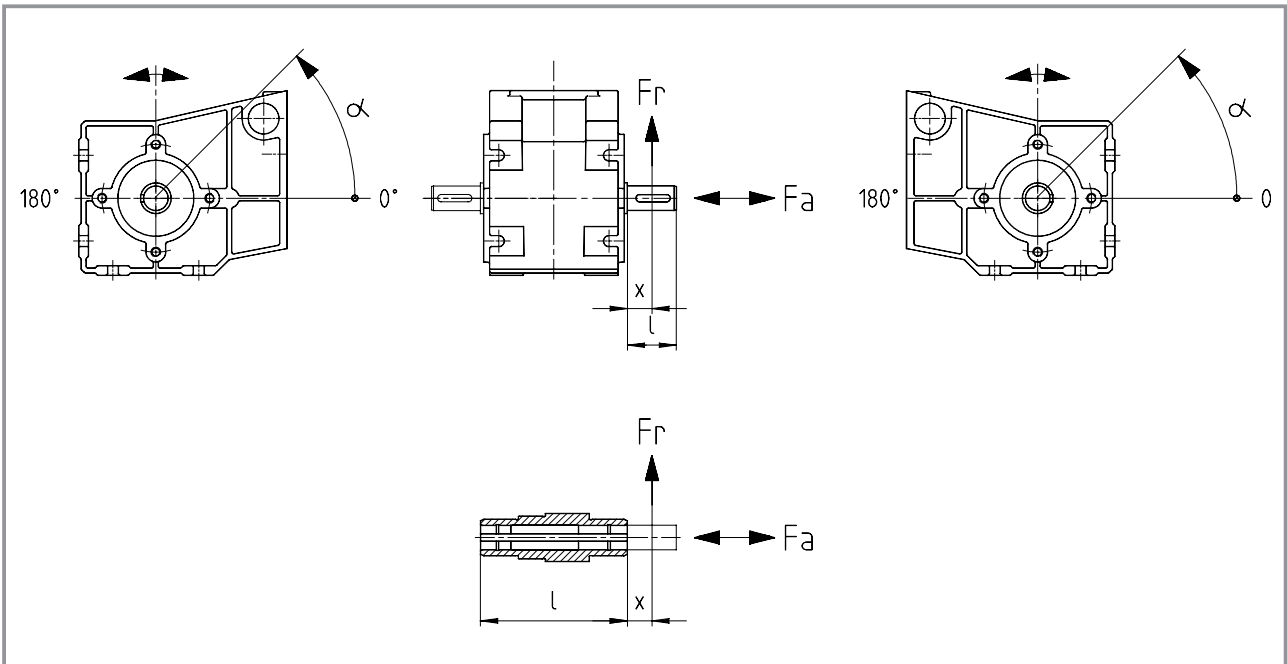
Permissible radial force

$$F_{rperm} = \min(f_w \cdot f_\alpha \cdot F_{rTab}; f_w \cdot F_{rmax})$$

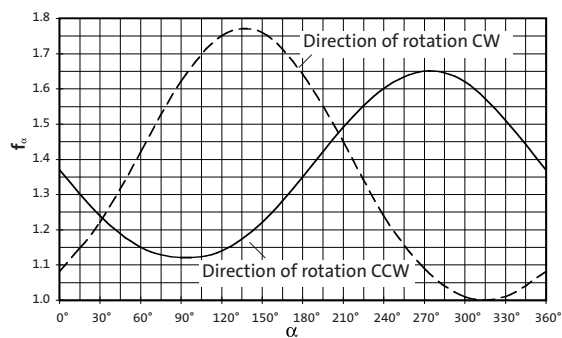
Permissible axial force

$$F_{aperm} = F_{aTab} \quad \text{at } F_r = 0$$

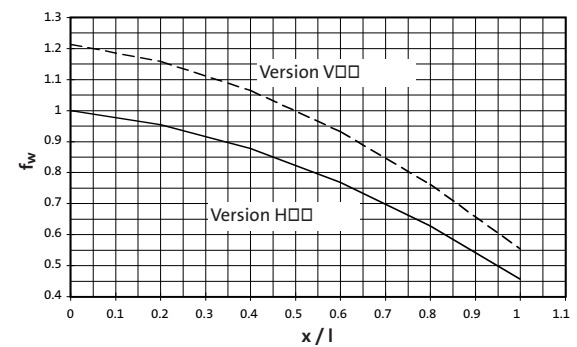
Contact Lenze if F_r and $F_a \neq 0$



f_α Effective direction factor at output shaft



f_w Additional load factor at output shaft



Technical data - Bevel gearboxes

Permissible radial and axial forces - Output



H□□	Hollow shaft Application of force F_r : At hollow shaft end face ($x = 0$) F_{aTab} only valid for $F_r = 0$					
	GKR04		GKR05		GKR06	
n_2 [rpm]	F_{rTab} [N]	F_{aTab} [N]	F_{rTab} [N]	F_{aTab} [N]	F_{rTab} [N]	F_{aTab} [N]
400	2550	1275	3800	1900	5000	2500
250	3000	1500	4500	2200	5200	2600
160	3300	1650	5100	2500	5500	2750
100	3600	1800	6200	3100	7000	3500
63	3600	1800	7400	3700	9000	4500
40	3600	1800	7800	3900	10000	5000
25	3600	1800	7800	3900	10000	5000
≤ 16	3600	1800	7800	3900	10000	5000
F_{rmax}	3600	–	7800	–	10000	–

V□□	Solid shaft Application of force F_r : Centre of shaft journal ($x = l/2$) F_{aTab} only valid for $F_r = 0$					
	GKR04		GKR05		GKR06	
n_2 [rpm]	F_{rTab} [N]	F_{aTab} [N]	F_{rTab} [N]	F_{aTab} [N]	F_{rTab} [N]	F_{aTab} [N]
400	2100	1275	3000	1900	4000	2500
250	2500	1500	3600	2200	4200	2600
160	2700	1650	4500	2500	4500	2750
100	3000	1800	5000	3100	5600	3500
63	3000	1800	6000	3700	7300	4500
40	3000	1800	6500	3900	8600	5000
25	3000	1800	6500	3900	9000	5000
≤ 16	3000	1800	6500	3900	9000	5000
F_{rmax}	3000	–	6500	–	9000	–

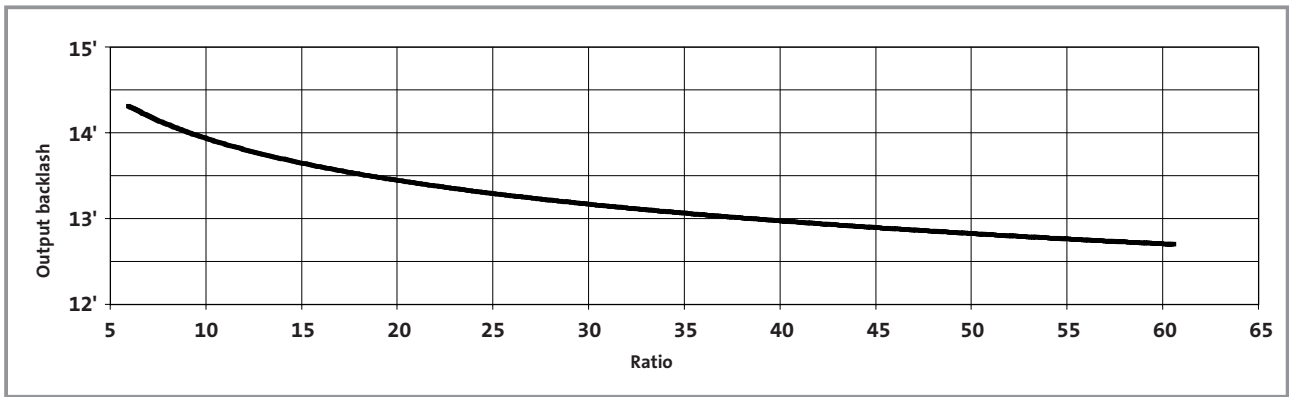
VAK	Solid shaft Application of force F_r : Centre of shaft journal ($x = l/2$) F_{aTab} only valid for $F_r = 0$					
	GKR04		GKR05		GKR06	
n_2 [rpm]	F_{rTab} [N]	F_{aTab} [N]	F_{rTab} [N]	F_{aTab} [N]	F_{rTab} [N]	F_{aTab} [N]
400	2100	1275	5200	1900	5500	2500
250	2500	1500	6000	2200	6200	2600
160	2700	1650	6500	2500	7000	2750
100	3000	1800	6500	3100	9000	3500
63	3000	1800	6500	3700	9000	4500
40	3000	1800	6500	3900	9000	5000
25	3000	1800	6500	3900	9000	5000
≤ 16	3000	1800	6500	3900	9000	5000
F_{rmax}	3000	–	6500	–	9000	–

Neither radial nor axial forces are permitted on hollow shafts with shrink discs (S□□).

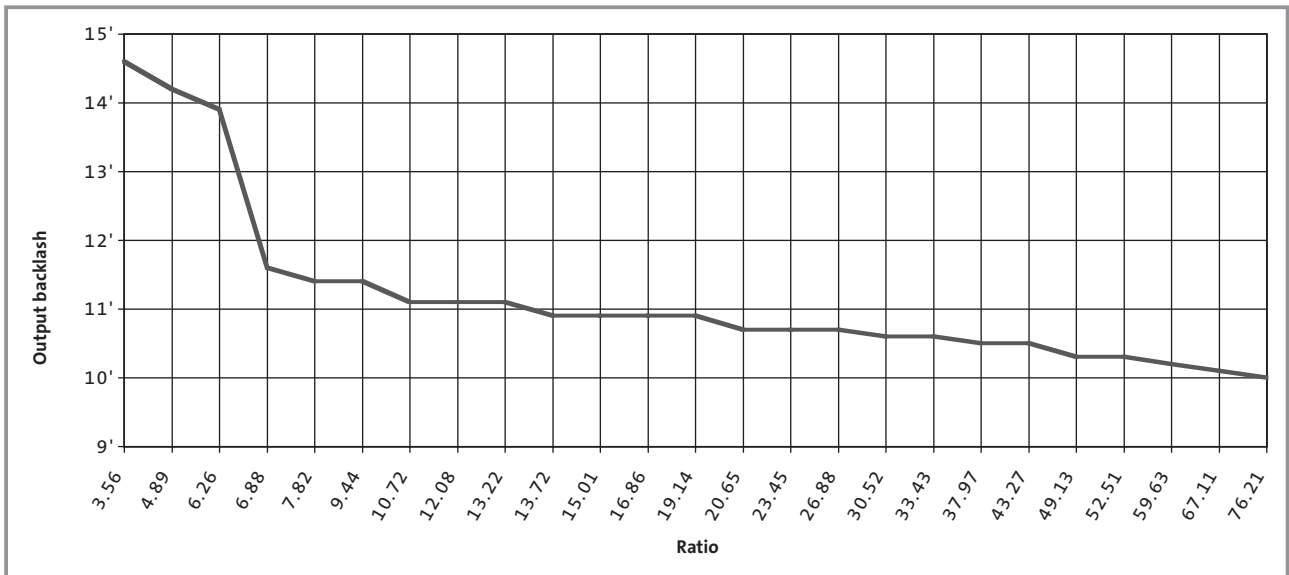
Technical data - Bevel gearboxes

Output backlash in angular minutes

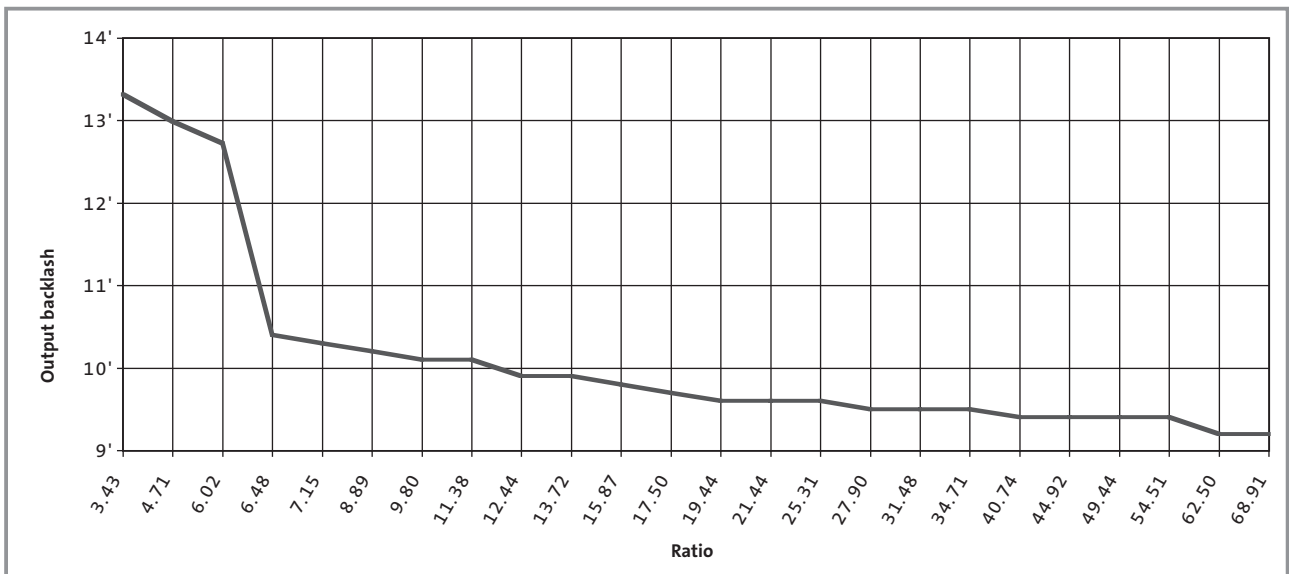
GKR 04-2



GKR 05-2



GKR 06-2





Calculation formula: $i_{exact} = \frac{\text{Numerator}}{\text{Denominator}}$

Actual ratio	Numerator	Denominator
GKR 04		
5.185	1400	270
5.963	1610	270
7.111	1600	225
8.178	1840	225
9.101	1720	189
10.466	1978	189
11.449	2576	225
12.698	2400	189
14.603	2760	189
15.556	2520	162
17.889	2898	162
19.556	2640	135
22.489	3036	135
25.185	2720	108
28.963	3128	108
31.919	3160	99
36.707	3634	99
40.000	3240	81
46.000	3726	81
52.698	3320	63
60.603	3818	63

Technical data - Bevel gearboxes

Ratios

Calculation formula: $i_{exact} = \frac{\text{Numerator}}{\text{Denominator}}$

Actual ratio	Numerator	Denominator
GKR 05		
3.565	1925	540
4.889	2200	450
6.257	2365	378
6.883	2065	300
7.817	2345	300
9.440	2360	250
10.720	2680	250
12.081	2537	210
13.216	3304	250
13.719	2881	210
15.008	3752	250
16.857	3540	210
19.143	4020	210
20.650	3717	180
23.450	4221	180
26.878	4838	180
30.522	5494	180
33.433	4012	120
37.967	4556	120
43.267	5192	120
49.133	5896	120
52.510	5251	100
59.630	5963	100
67.113	5369	80
76.213	6097	80



Calculation formula: $i_{exact} = \frac{\text{Numerator}}{\text{Denominator}}$

Actual ratio	Numerator	Denominator
GKR 06		
3.431	1750	510
4.706	2000	425
6.022	2150	357
6.481	1750	270
7.146	1715	240
8.889	2000	225
9.800	1960	200
11.376	2150	189
12.444	2800	225
13.720	2744	200
15.873	3000	189
17.500	2940	168
19.444	3150	162
21.438	3087	144
25.309	4100	162
27.903	4018	144
31.481	3400	108
34.708	3332	96
40.741	4400	108
44.917	4312	96
49.444	4450	90
54.513	4361	80
62.500	4500	72
68.906	4410	64

Bevel gearboxes GKR□□-2

Gearbox size	naturally ventilated									
	GKR□□-2S HAR/HBR with motor frame size (synchronous)					GKR□□-2A HAR/HBR with motor frame size (asynchronous)				
	056 C23	056 C33	071 C03	071 C13	071 C33	056 C22	071 C22	080 C22	090 C22	090 C22
04	10	11	14	16	18	11	16			
05	15	16	18	20	20	16	20	26		
06	23	24	26	28	30	24	28	34		42

Additional weights

At the drive end

C23	056 C33	Synchronous			056 C22	Asynchronous		
		C03	071 C13	C33		071 C22	080 C22	090 C22
forced ventilated								
–	–	1.3	1.3	1.3	–	1.6	1.9	2.6
Brake								
0.9	0.9	1.4	1.4	1.4	0.9	1.4	1.5	2.4

At the non-drive end

Gearbox size	Solid shaft V□□	2nd output shaft end V□□	Hollow shaft with shrink disc S□□	Flange □□K	Torque plate Pitch circle	Torque plate Housing foot
04	0.3	0.1	0.3	0.5	0.4	-
05	1.0	0.3	0.8	1.0	1.3	2.0
06	1.7	0.5	1.0	1.0	2.1	3.7

Weights in [kg] with oil capacity for mounting position A. All data is approximate

Selection tables - Bevel gearboxes

Naturally ventilated synchronous geared servo motors



M ₂ [Nm]	n _{2 trans} [rpm]	c	i	M _{2 max} short-time on geared motor at				M _{2 Gr} gearbox c=1 n ₁ ≤ 1400 rpm [Nm]	n _{2 therm} [rpm]	J _{GM} referred to motor shaft [kgm ²]	Bevel geared servo motor Dimensions on Page 5-28
				8 kHz		16 kHz					
				M _{2 max} [Nm]	Type EVS	M _{2 max} [Nm]	Type EVS				
13	733	3.7	5.185	23	9322	26	9323	69	657	2.21E-04	GKR04 - 2S □□□ 056C23 MDSKS□□ 056-23 190
15	637	3.3	5.963	26	9322	30	9323	72	562	2.12E-04	GKR04 - 2S □□□ 056C23 MDSKS□□ 056-23 190
19	534	3.0	7.111	31	9322	36	9323	78	514	1.85E-04	GKR04 - 2S □□□ 056C23 MDSKS□□ 056-23 190
21	465	2.7	8.178	36	9322	42	9323	81	440	1.81E-04	GKR04 - 2S □□□ 056C23 MDSKS□□ 056-23 190
24	418	2.6	9.101	40	9322	46	9323	84	418	4.67E-04	GKR04 - 2S □□□ 056C23 MDSKS□□ 056-23 190
27	363	2.3	10.466	46	9322	53	9323	89	363	1.70E-04	GKR04 - 2S □□□ 056C23 MDSKS□□ 056-23 190
30	332	2.2	11.449	50	9322	58	9323	90	332	1.66E-04	GKR04 - 2S □□□ 056C23 MDSKS□□ 056-23 190
33	299	2.0	12.698	56	9322	65	9323	90	299	3.39E-04	GKR04 - 2S □□□ 056C23 MDSKS□□ 056-23 190
39	260	1.7	14.603	64	9322	74	9323	90	260	1.58E-04	GKR04 - 2S □□□ 056C23 MDSKS□□ 056-23 190
41	244	1.6	15.556	68	9322	79	9323	90	244	2.87E-04	GKR04 - 2S □□□ 056C23 MDSKS□□ 056-23 190
47	212	1.4	17.889	79	9322	91	9323	90	212	1.54E-04	GKR04 - 2S □□□ 056C23 MDSKS□□ 056-23 190
52	194	1.3	19.556	86	9322	100	9323	90	194	1.50E-04	GKR04 - 2S □□□ 056C23 MDSKS□□ 056-23 190
60	169	1.1	22.489	99	9322	115	9323	90	169	1.49E-04	GKR04 - 2S □□□ 056C23 MDSKS□□ 056-23 190
67	151	1.1	25.185	111	9322	128	9323	90	151	1.46E-04	GKR04 - 2S □□□ 056C23 MDSKS□□ 056-23 190
20	771	2.4	5.185	34	9323	44	9324	69	605	2.81E-04	GKR04 - 2S □□□ 056C33 MDSKS□□ 056-33 200
23	671	2.2	5.963	39	9323	51	9324	72	516	2.72E-04	GKR04 - 2S □□□ 056C33 MDSKS□□ 056-33 200
28	563	2.0	7.111	47	9323	61	9324	78	477	2.45E-04	GKR04 - 2S □□□ 056C33 MDSKS□□ 056-33 200
32	489	1.8	8.178	54	9323	70	9324	81	395	2.41E-04	GKR04 - 2S □□□ 056C33 MDSKS□□ 056-33 200
36	440	1.7	9.101	60	9323	78	9324	84	404	5.27E-04	GKR04 - 2S □□□ 056C33 MDSKS□□ 056-33 200
42	382	1.5	10.466	68	9323	89	9324	89	335	2.30E-04	GKR04 - 2S □□□ 056C33 MDSKS□□ 056-33 200
45	349	1.4	11.449	75	9323	98	9324	90	310	2.26E-04	GKR04 - 2S □□□ 056C33 MDSKS□□ 056-33 200
51	315	1.3	12.698	83	9323	108	9324	90	307	3.99E-04	GKR04 - 2S □□□ 056C33 MDSKS□□ 056-33 200
58	274	1.1	14.603	96	9323	124	9324	90	254	2.18E-04	GKR04 - 2S □□□ 056C33 MDSKS□□ 056-33 200
62	257	1.0	15.556	102	9323	132	9324	90	257	3.47E-04	GKR04 - 2S □□□ 056C33 MDSKS□□ 056-33 200
28	656	1.9	5.185	40	9323	52	9324	69	564	6.81E-04	GKR04 - 2S □□□ 071C03 MDSKS□□ 071-03 170
32	570	1.7	5.963	45	9323	60	9324	72	466	6.72E-04	GKR04 - 2S □□□ 071C03 MDSKS□□ 071-03 170
38	478	1.5	7.111	54	9323	72	9324	78	422	6.45E-04	GKR04 - 2S □□□ 071C03 MDSKS□□ 071-03 170
44	416	1.4	8.178	62	9323	82	9324	81	352	6.41E-04	GKR04 - 2S □□□ 071C03 MDSKS□□ 071-03 170
49	374	1.3	9.101	69	9323	92	9324	84	358	9.27E-04	GKR04 - 2S □□□ 071C03 MDSKS□□ 071-03 170
57	325	1.2	10.466	80	9323	105	9324	89	298	6.30E-04	GKR04 - 2S □□□ 071C03 MDSKS□□ 071-03 170
62	297	1.1	11.449	87	9323	115	9324	90	278	6.26E-04	GKR04 - 2S □□□ 071C03 MDSKS□□ 071-03 170
41	714	1.2	5.185	61	9324	85	9325	69	457	8.81E-04	GKR04 - 2S □□□ 071C13 MDSKS□□ 071-13 185
47	621	1.1	5.963	71	9324	97	9325	72	381	8.72E-04	GKR04 - 2S □□□ 071C13 MDSKS□□ 071-13 185
56	520	1.0	7.111	84	9324	116	9325	78	358	8.45E-04	GKR04 - 2S □□□ 071C13 MDSKS□□ 071-13 185

Observe the notes for thermal dimensioning.

Selection tables - Bevel gearboxes

Naturally ventilated synchronous geared servo motors

M ₂ [Nm]	n ₂ trans [rpm]	c	i	M ₂ max short-time on geared motor at				M ₂ Gr gearbox c=1 n ₁ ≤ 1400 rpm [Nm]	n ₂ therm [rpm]	J _{GM} referred to motor shaft [kgm ²]	Bevel geared servo motor Dimensions on Page 5-28
				8 kHz		16 kHz					
				M ₂ max [Nm]	Type EVS	M ₂ max [Nm]	Type EVS				
16	607	5.5	6.257	28	9322	32	9323	125	607	3.19E-04	GKR05 - 2S □□□ 056C23 MDSKS□□ 056-23 190
31	315	4.8	12.081	53	9322	62	9323	208	315	2.42E-04	GKR05 - 2S □□□ 056C23 MDSKS□□ 056-23 190
34	288	4.5	13.216	58	9322	67	9323	214	288	2.27E-04	GKR05 - 2S □□□ 056C23 MDSKS□□ 056-23 190
35	277	4.4	13.719	60	9322	70	9323	217	274	2.34E-04	GKR05 - 2S □□□ 056C23 MDSKS□□ 056-23 190
39	253	4.1	15.008	66	9322	76	9323	223	253	2.20E-04	GKR05 - 2S □□□ 056C23 MDSKS□□ 056-23 190
43	225	3.9	16.857	74	9322	86	9323	240	225	2.00E-04	GKR05 - 2S □□□ 056C23 MDSKS□□ 056-23 190
50	199	3.5	19.143	84	9322	98	9323	240	199	1.95E-04	GKR05 - 2S □□□ 056C23 MDSKS□□ 056-23 190
54	184	3.2	20.650	91	9322	105	9323	240	184	1.84E-04	GKR05 - 2S □□□ 056C23 MDSKS□□ 056-23 190
61	162	2.8	23.450	103	9322	119	9323	240	162	1.81E-04	GKR05 - 2S □□□ 056C23 MDSKS□□ 056-23 190
70	141	2.8	26.878	118	9322	137	9323	240	141	1.67E-04	GKR05 - 2S □□□ 056C23 MDSKS□□ 056-23 190
80	125	2.5	30.522	134	9322	155	9323	240	125	1.65E-04	GKR05 - 2S □□□ 056C23 MDSKS□□ 056-23 190
88	114	2.2	33.433	147	9322	170	9323	240	114	1.59E-04	GKR05 - 2S □□□ 056C23 MDSKS□□ 056-23 190
100	100	2.0	37.967	167	9322	193	9323	240	100	1.58E-04	GKR05 - 2S □□□ 056C23 MDSKS□□ 056-23 190
114	88	1.9	43.267	190	9322	220	9323	240	88	1.52E-04	GKR05 - 2S □□□ 056C23 MDSKS□□ 056-23 190
130	77	1.7	49.133	216	9322	250	9323	240	77	1.51E-04	GKR05 - 2S □□□ 056C23 MDSKS□□ 056-23 190
139	72	1.6	52.510	231	9322	267	9323	240	72	1.49E-04	GKR05 - 2S □□□ 056C23 MDSKS□□ 056-23 190
158	64	1.4	59.630	262	9322	304	9323	240	64	1.48E-04	GKR05 - 2S □□□ 056C23 MDSKS□□ 056-23 190
24	639	3.6	6.257	41	9323	53	9324	125	581	3.79E-04	GKR05 - 2S □□□ 056C33 MDSKS□□ 056-33 200
47	331	3.1	12.081	79	9323	103	9324	208	293	3.02E-04	GKR05 - 2S □□□ 056C33 MDSKS□□ 056-33 200
52	303	2.9	13.216	86	9323	113	9324	214	275	2.87E-04	GKR05 - 2S □□□ 056C33 MDSKS□□ 056-33 200
54	292	2.9	13.719	90	9323	117	9324	217	254	2.94E-04	GKR05 - 2S □□□ 056C33 MDSKS□□ 056-33 200
59	267	2.7	15.008	98	9323	128	9324	223	238	2.80E-04	GKR05 - 2S □□□ 056C33 MDSKS□□ 056-33 200
66	237	2.6	16.857	110	9323	144	9324	240	237	2.60E-04	GKR05 - 2S □□□ 056C33 MDSKS□□ 056-33 200
75	209	2.3	19.143	125	9323	163	9324	240	209	2.55E-04	GKR05 - 2S □□□ 056C33 MDSKS□□ 056-33 200
81	194	2.1	20.650	135	9323	176	9324	240	194	2.44E-04	GKR05 - 2S □□□ 056C33 MDSKS□□ 056-33 200
93	171	1.9	23.450	153	9323	200	9324	240	171	2.41E-04	GKR05 - 2S □□□ 056C33 MDSKS□□ 056-33 200
106	149	1.8	26.878	176	9323	229	9324	240	149	2.27E-04	GKR05 - 2S □□□ 056C33 MDSKS□□ 056-33 200
121	131	1.6	30.522	200	9323	260	9324	240	131	2.25E-04	GKR05 - 2S □□□ 056C33 MDSKS□□ 056-33 200
133	120	1.5	33.433	219	9323	285	9324	240	120	2.19E-04	GKR05 - 2S □□□ 056C33 MDSKS□□ 056-33 200
151	105	1.3	37.967	248	9323	323	9324	240	105	2.18E-04	GKR05 - 2S □□□ 056C33 MDSKS□□ 056-33 200
172	92	1.3	43.267	283	9323	360	9324	240	92	2.12E-04	GKR05 - 2S □□□ 056C33 MDSKS□□ 056-33 200
196	81	1.1	49.133	321	9323	360	9324	240	81	2.11E-04	GKR05 - 2S □□□ 056C33 MDSKS□□ 056-33 200
209	76	1.0	52.510	343	9323	360	9324	240	76	2.09E-04	GKR05 - 2S □□□ 056C33 MDSKS□□ 056-33 200
18	954	5.4	3.565	27	9323	36	9324	138	860	1.10E-03	GKR05 - 2S □□□ 071C03 MDSKS□□ 071-03 170

Observe the notes for thermal dimensioning.

Selection tables - Bevel gearboxes

Naturally ventilated synchronous geared servo motors



M ₂ [Nm]	n ₂ trans [rpm]	c	i	M ₂ max short-time on geared motor at				M ₂ Gr gearbox c=1 n ₁ ≤ 1400 rpm [Nm]	n ₂ therm [rpm]	J _{GM} referred to motor shaft [kgm ²]	Bevel geared servo motor Dimensions on Page 5-28
				8 kHz		16 kHz					
				M ₂ max [Nm]	Type EVS	M ₂ max [Nm]	Type EVS				
26	695	4.2	4.889	37	9323	49	9324	147	695	8.79E-04	GKR05 - 2S □□□ 071C03 MDSKS□□ 071-03 170
33	543	3.5	6.257	48	9323	63	9324	156	543	7.79E-04	GKR05 - 2S □□□ 071C03 MDSKS□□ 071-03 170
36	494	3.7	6.883	52	9323	69	9324	179	412	8.57E-04	GKR05 - 2S □□□ 071C03 MDSKS□□ 071-03 170
41	435	3.4	7.817	60	9323	79	9324	187	357	8.32E-04	GKR05 - 2S □□□ 071C03 MDSKS□□ 071-03 170
50	360	2.8	9.440	72	9323	95	9324	191	336	7.53E-04	GKR05 - 2S □□□ 071C03 MDSKS□□ 071-03 170
57	317	2.7	10.720	82	9323	108	9324	204	292	7.40E-04	GKR05 - 2S □□□ 071C03 MDSKS□□ 071-03 170
64	281	2.4	12.081	92	9323	122	9324	208	280	7.02E-04	GKR05 - 2S □□□ 071C03 MDSKS□□ 071-03 170
71	257	2.3	13.216	101	9323	133	9324	214	257	6.87E-04	GKR05 - 2S □□□ 071C03 MDSKS□□ 071-03 170
73	248	2.2	13.719	104	9323	138	9324	217	242	6.94E-04	GKR05 - 2S □□□ 071C03 MDSKS□□ 071-03 170
80	227	2.1	15.008	114	9323	151	9324	223	227	6.80E-04	GKR05 - 2S □□□ 071C03 MDSKS□□ 071-03 170
90	202	2.0	16.857	128	9323	170	9324	240	202	6.60E-04	GKR05 - 2S □□□ 071C03 MDSKS□□ 071-03 170
103	178	1.8	19.143	146	9323	193	9324	240	178	6.55E-04	GKR05 - 2S □□□ 071C03 MDSKS□□ 071-03 170
111	165	1.6	20.650	157	9323	208	9324	240	165	6.44E-04	GKR05 - 2S □□□ 071C03 MDSKS□□ 071-03 170
126	145	1.4	23.450	179	9323	236	9324	240	145	6.41E-04	GKR05 - 2S □□□ 071C03 MDSKS□□ 071-03 170
145	127	1.4	26.878	205	9323	270	9324	240	127	6.27E-04	GKR05 - 2S □□□ 071C03 MDSKS□□ 071-03 170
165	111	1.3	30.522	232	9323	307	9324	240	111	6.25E-04	GKR05 - 2S □□□ 071C03 MDSKS□□ 071-03 170
181	102	1.1	33.433	254	9323	336	9324	240	102	6.19E-04	GKR05 - 2S □□□ 071C03 MDSKS□□ 071-03 170
206	90	1.0	37.967	289	9323	360	9324	240	90	6.18E-04	GKR05 - 2S □□□ 071C03 MDSKS□□ 071-03 170
27	1038	3.6	3.565	42	9324	58	9325	138	795	1.30E-03	GKR05 - 2S □□□ 071C13 MDSKS□□ 071-13 185
38	757	2.8	4.889	58	9324	80	9325	147	647	1.08E-03	GKR05 - 2S □□□ 071C13 MDSKS□□ 071-13 185
49	591	2.3	6.257	74	9324	102	9325	156	537	9.79E-04	GKR05 - 2S □□□ 071C13 MDSKS□□ 071-13 185
53	538	2.4	6.883	81	9324	112	9325	179	379	1.06E-03	GKR05 - 2S □□□ 071C13 MDSKS□□ 071-13 185
61	473	2.2	7.817	93	9324	128	9325	187	328	1.03E-03	GKR05 - 2S □□□ 071C13 MDSKS□□ 071-13 185
74	392	1.9	9.440	112	9324	154	9325	191	304	9.53E-04	GKR05 - 2S □□□ 071C13 MDSKS□□ 071-13 185
84	345	1.8	10.720	127	9324	175	9325	204	259	9.40E-04	GKR05 - 2S □□□ 071C13 MDSKS□□ 071-13 185
95	306	1.6	12.081	143	9324	197	9325	208	243	9.02E-04	GKR05 - 2S □□□ 071C13 MDSKS□□ 071-13 185
104	280	1.5	13.216	156	9324	216	9325	214	226	8.87E-04	GKR05 - 2S □□□ 071C13 MDSKS□□ 071-13 185
108	270	1.5	13.719	162	9324	224	9325	217	205	8.94E-04	GKR05 - 2S □□□ 071C13 MDSKS□□ 071-13 185
118	247	1.4	15.008	178	9324	245	9325	223	191	8.80E-04	GKR05 - 2S □□□ 071C13 MDSKS□□ 071-13 185
132	219	1.3	16.857	199	9324	275	9325	240	197	8.60E-04	GKR05 - 2S □□□ 071C13 MDSKS□□ 071-13 185
151	193	1.2	19.143	226	9324	312	9325	240	164	8.55E-04	GKR05 - 2S □□□ 071C13 MDSKS□□ 071-13 185
163	179	1.1	20.650	244	9324	337	9325	240	168	8.44E-04	GKR05 - 2S □□□ 071C13 MDSKS□□ 071-13 185
41	1010	2.5	3.565	81	9325	61	9325	138	734	1.50E-03	GKR05 - 2S □□□ 071C33 MDSKS□□ 071-33 180
57	736	1.9	4.889	111	9325	83	9325	147	592	1.28E-03	GKR05 - 2S □□□ 071C33 MDSKS□□ 071-33 180

Observe the notes for thermal dimensioning.

Selection tables - Bevel gearboxes

Naturally ventilated synchronous geared servo motors

M ₂ [Nm]	n ₂ trans [rpm]	c	i	M ₂ max short-time on geared motor at				M ₂ Gr gearbox c=1 n ₁ ≤ 1400 rpm [Nm]	n ₂ therm [rpm]	J _{GM} referred to motor shaft [kgm ²]	Bevel geared servo motor Dimensions on Page 5-28
				8 kHz		16 kHz					
				M ₂ max [Nm]	Type EVS	M ₂ max [Nm]	Type EVS				
73	575	1.6	6.257	143	9325	107	9325	156	466	1.18E-03	GKR05 - 2S □□□ 071C33 MDSKS□□ 071-33 180
80	523	1.7	6.883	157	9325	117	9325	179	329	1.26E-03	GKR05 - 2S □□□ 071C33 MDSKS□□ 071-33 180
91	461	1.5	7.817	178	9325	133	9325	187	277	1.23E-03	GKR05 - 2S □□□ 071C33 MDSKS□□ 071-33 180
110	381	1.3	9.440	215	9325	161	9325	191	248	1.15E-03	GKR05 - 2S □□□ 071C33 MDSKS□□ 071-33 180
125	336	1.2	10.720	244	9325	183	9325	204	211	1.14E-03	GKR05 - 2S □□□ 071C33 MDSKS□□ 071-33 180
141	298	1.1	12.081	275	9325	206	9325	208	205	1.10E-03	GKR05 - 2S □□□ 071C33 MDSKS□□ 071-33 180
154	272	1.0	13.216	301	9325	226	9325	214	193	1.09E-03	GKR05 - 2S □□□ 071C33 MDSKS□□ 071-33 180
160	262	1.0	13.719	313	9325	234	9325	217	175	1.09E-03	GKR05 - 2S □□□ 071C33 MDSKS□□ 071-33 180
40	239	5.5	15.873	70	9322	81	9323	317	239	2.72E-04	GKR06 - 2S □□□ 056C23 MDSKS□□ 056-23 190
44	217	5.5	17.500	77	9322	89	9323	349	217	2.63E-04	GKR06 - 2S □□□ 056C23 MDSKS□□ 056-23 190
64	150	5.2	25.309	111	9322	129	9323	421	150	2.03E-04	GKR06 - 2S □□□ 056C23 MDSKS□□ 056-23 190
71	136	5.1	27.903	123	9322	142	9323	450	136	1.99E-04	GKR06 - 2S □□□ 056C23 MDSKS□□ 056-23 190
81	121	4.4	31.481	139	9322	160	9323	441	121	1.86E-04	GKR06 - 2S □□□ 056C23 MDSKS□□ 056-23 190
89	109	4.1	34.708	153	9322	177	9323	450	109	1.83E-04	GKR06 - 2S □□□ 056C23 MDSKS□□ 056-23 190
105	93	3.8	40.741	179	9322	208	9323	450	93	1.68E-04	GKR06 - 2S □□□ 056C23 MDSKS□□ 056-23 190
116	85	3.5	44.917	198	9322	229	9323	450	85	1.67E-04	GKR06 - 2S □□□ 056C23 MDSKS□□ 056-23 190
129	77	3.2	49.444	218	9322	252	9323	450	77	1.61E-04	GKR06 - 2S □□□ 056C23 MDSKS□□ 056-23 190
142	70	2.9	54.513	240	9322	278	9323	450	70	1.60E-04	GKR06 - 2S □□□ 056C23 MDSKS□□ 056-23 190
164	61	2.1	62.500	275	9322	318	9323	378	61	1.53E-04	GKR06 - 2S □□□ 056C23 MDSKS□□ 056-23 190
181	55	2.1	68.906	303	9322	351	9323	417	55	1.53E-04	GKR06 - 2S □□□ 056C23 MDSKS□□ 056-23 190
62	252	3.6	15.873	104	9323	135	9324	317	231	3.32E-04	GKR06 - 2S □□□ 056C33 MDSKS□□ 056-33 200
68	229	3.6	17.500	114	9323	149	9324	349	210	3.23E-04	GKR06 - 2S □□□ 056C33 MDSKS□□ 056-33 200
98	158	3.4	25.309	165	9323	215	9324	421	158	2.63E-04	GKR06 - 2S □□□ 056C33 MDSKS□□ 056-33 200
109	143	3.3	27.903	182	9323	238	9324	450	143	2.59E-04	GKR06 - 2S □□□ 056C33 MDSKS□□ 056-33 200
123	127	2.9	31.481	206	9323	268	9324	441	127	2.46E-04	GKR06 - 2S □□□ 056C33 MDSKS□□ 056-33 200
136	115	2.7	34.708	227	9323	295	9324	450	115	2.43E-04	GKR06 - 2S □□□ 056C33 MDSKS□□ 056-33 200
160	98	2.5	40.741	266	9323	347	9324	450	98	2.28E-04	GKR06 - 2S □□□ 056C33 MDSKS□□ 056-33 200
177	89	2.3	44.917	294	9323	382	9324	450	89	2.27E-04	GKR06 - 2S □□□ 056C33 MDSKS□□ 056-33 200
195	81	2.1	49.444	323	9323	421	9324	450	81	2.21E-04	GKR06 - 2S □□□ 056C33 MDSKS□□ 056-33 200
216	73	1.9	54.513	356	9323	464	9324	450	73	2.20E-04	GKR06 - 2S □□□ 056C33 MDSKS□□ 056-33 200
248	64	1.4	62.500	409	9323	532	9324	378	64	2.13E-04	GKR06 - 2S □□□ 056C33 MDSKS□□ 056-33 200
274	58	1.4	68.906	450	9323	587	9324	417	58	2.13E-04	GKR06 - 2S □□□ 056C33 MDSKS□□ 056-33 200
31	565	5.6	6.022	46	9323	61	9324	241	565	9.66E-04	GKR06 - 2S □□□ 071C03 MDSKS□□ 071-03 170
59	299	5.4	11.376	87	9323	114	9324	436	299	8.21E-04	GKR06 - 2S □□□ 071C03 MDSKS□□ 071-03 170

Observe the notes for thermal dimensioning.

Selection tables - Bevel gearboxes

Naturally ventilated synchronous geared servo motors



M ₂ [Nm]	n ₂ trans [rpm]	c	i	M ₂ max short-time on geared motor at				M ₂ Gr gearbox c=1 n ₁ ≤ 1400 rpm [Nm]	n ₂ therm [rpm]	J _{GM} referred to motor shaft [kgm ²]	Bevel geared servo motor Dimensions on Page 5-28
				8 kHz		16 kHz					
				M ₂ max [Nm]	Type EVS	M ₂ max [Nm]	Type EVS				
64	273	5.1	12.444	95	9323	125	9324	450	273	7.89E-04	GKR06 - 2S □□□ 071C03 MDSKS□□ 071-03 170
72	248	4.4	13.720	104	9323	138	9324	426	248	7.73E-04	GKR06 - 2S □□□ 071C03 MDSKS□□ 071-03 170
83	214	4.0	15.873	121	9323	160	9324	450	214	7.32E-04	GKR06 - 2S □□□ 071C03 MDSKS□□ 071-03 170
92	194	3.6	17.500	133	9323	176	9324	450	194	7.23E-04	GKR06 - 2S □□□ 071C03 MDSKS□□ 071-03 170
103	175	3.3	19.444	148	9323	196	9324	450	175	6.99E-04	GKR06 - 2S □□□ 071C03 MDSKS□□ 071-03 170
114	159	3.0	21.438	163	9323	216	9324	450	159	6.93E-04	GKR06 - 2S □□□ 071C03 MDSKS□□ 071-03 170
134	134	2.8	25.309	193	9323	255	9324	450	134	6.63E-04	GKR06 - 2S □□□ 071C03 MDSKS□□ 071-03 170
149	122	2.6	27.903	212	9323	281	9324	450	122	6.59E-04	GKR06 - 2S □□□ 071C03 MDSKS□□ 071-03 170
168	108	2.3	31.481	240	9323	317	9324	450	108	6.46E-04	GKR06 - 2S □□□ 071C03 MDSKS□□ 071-03 170
186	98	2.1	34.708	264	9323	349	9324	450	98	6.43E-04	GKR06 - 2S □□□ 071C03 MDSKS□□ 071-03 170
218	83	2.0	40.741	310	9323	410	9324	450	83	6.28E-04	GKR06 - 2S □□□ 071C03 MDSKS□□ 071-03 170
241	76	1.8	44.917	342	9323	452	9324	450	76	6.27E-04	GKR06 - 2S □□□ 071C03 MDSKS□□ 071-03 170
266	69	1.6	49.444	376	9323	498	9324	450	69	6.21E-04	GKR06 - 2S □□□ 071C03 MDSKS□□ 071-03 170
294	62	1.5	54.513	415	9323	548	9324	450	62	6.20E-04	GKR06 - 2S □□□ 071C03 MDSKS□□ 071-03 170
46	614	3.8	6.022	71	9324	98	9325	241	538	1.17E-03	GKR06 - 2S □□□ 071C13 MDSKS□□ 071-13 185
87	325	3.6	11.376	135	9324	186	9325	436	283	1.02E-03	GKR06 - 2S □□□ 071C13 MDSKS□□ 071-13 185
96	297	3.4	12.444	147	9324	203	9325	450	264	9.89E-04	GKR06 - 2S □□□ 071C13 MDSKS□□ 071-13 185
106	270	2.9	13.720	162	9324	224	9325	426	233	9.73E-04	GKR06 - 2S □□□ 071C13 MDSKS□□ 071-13 185
123	233	2.7	15.873	188	9324	259	9325	450	219	9.32E-04	GKR06 - 2S □□□ 071C13 MDSKS□□ 071-13 185
136	211	2.4	17.500	207	9324	286	9325	450	195	9.23E-04	GKR06 - 2S □□□ 071C13 MDSKS□□ 071-13 185
151	190	2.2	19.444	230	9324	317	9325	450	190	8.99E-04	GKR06 - 2S □□□ 071C13 MDSKS□□ 071-13 185
167	173	2.0	21.438	254	9324	350	9325	450	173	8.93E-04	GKR06 - 2S □□□ 071C13 MDSKS□□ 071-13 185
198	146	1.9	25.309	299	9324	413	9325	450	146	8.63E-04	GKR06 - 2S □□□ 071C13 MDSKS□□ 071-13 185
218	133	1.7	27.903	330	9324	455	9325	450	133	8.59E-04	GKR06 - 2S □□□ 071C13 MDSKS□□ 071-13 185
247	118	1.5	31.481	372	9324	514	9325	450	118	8.46E-04	GKR06 - 2S □□□ 071C13 MDSKS□□ 071-13 185
273	107	1.4	34.708	411	9324	566	9325	450	107	8.43E-04	GKR06 - 2S □□□ 071C13 MDSKS□□ 071-13 185
320	91	1.3	40.741	482	9324	665	9325	450	91	8.28E-04	GKR06 - 2S □□□ 071C13 MDSKS□□ 071-13 185
353	82	1.2	44.917	531	9324	675	9325	450	82	8.27E-04	GKR06 - 2S □□□ 071C13 MDSKS□□ 071-13 185
390	75	1.1	49.444	585	9324	675	9325	450	75	8.21E-04	GKR06 - 2S □□□ 071C13 MDSKS□□ 071-13 185
69	598	2.6	6.022	137	9325	103	9325	241	498	1.37E-03	GKR06 - 2S □□□ 071C33 MDSKS□□ 071-33 180
131	316	2.4	11.376	259	9325	194	9325	436	261	1.22E-03	GKR06 - 2S □□□ 071C33 MDSKS□□ 071-33 180
143	289	2.3	12.444	284	9325	212	9325	450	244	1.19E-03	GKR06 - 2S □□□ 071C33 MDSKS□□ 071-33 180
159	262	2.0	13.720	313	9325	234	9325	426	215	1.17E-03	GKR06 - 2S □□□ 071C33 MDSKS□□ 071-33 180
184	227	1.8	15.873	362	9325	271	9325	450	198	1.13E-03	GKR06 - 2S □□□ 071C33 MDSKS□□ 071-33 180

Observe the notes for thermal dimensioning.

Selection tables - Bevel gearboxes

Naturally ventilated synchronous geared servo motors

M ₂ [Nm]	n ₂ trans [rpm]	c	i	M ₂ max short-time on geared motor at				M ₂ Gr gearbox c=1 n ₁ ≤ 1400 rpm [Nm]	n ₂ therm [rpm]	J _{GM} referred to motor shaft [kgm ²]	Bevel geared servo motor Dimensions on Page 5-28
				8 kHz		16 kHz					
				M ₂ max [Nm]	Type EVS	M ₂ max [Nm]	Type EVS				
203	206	1.6	17.500	399	9325	299	9325	450	171	1.12E-03	GKR06 - 2S □□□ 071C33 MDSKS□□ 071-33 180
226	185	1.5	19.444	443	9325	332	9325	450	171	1.10E-03	GKR06 - 2S □□□ 071C33 MDSKS□□ 071-33 180
250	168	1.3	21.438	489	9325	366	9325	450	148	1.09E-03	GKR06 - 2S □□□ 071C33 MDSKS□□ 071-33 180
295	142	1.3	25.309	577	9325	432	9325	450	142	1.06E-03	GKR06 - 2S □□□ 071C33 MDSKS□□ 071-33 180
325	129	1.2	27.903	636	9325	476	9325	450	127	1.06E-03	GKR06 - 2S □□□ 071C33 MDSKS□□ 071-33 180
368	114	1.0	31.481	675	9325	537	9325	450	114	1.05E-03	GKR06 - 2S □□□ 071C33 MDSKS□□ 071-33 180

Observe the notes for thermal dimensioning.

Selection tables - Bevel gearboxes

Forced ventilated synchronous geared servo motors



M ₂ [Nm]	n _{2 trans} [rpm]	c	i	M _{2 max} short-time on geared motor at				M _{2 Gr} gearbox c=1 n ₁ ≤ 1400 rpm [Nm]	n _{2 therm} [rpm]	J _{GM} referred to motor shaft [kgm ²]	Bevel geared servo motor Dimensions on Page 5-28
				8 kHz		16 kHz					
				M _{2 max} [Nm]	Type EVS	M _{2 max} [Nm]	Type EVS				
37	636	1.4	5.185	67	9324	52	9324	69	489	6.81E-04	GKR04 - 2S □□□ 071C03 MDFKS□□ 071-03 165
42	553	1.3	5.963	78	9324	60	9324	72	407	6.72E-04	GKR04 - 2S □□□ 071C03 MDFKS□□ 071-03 165
51	464	1.2	7.111	92	9324	72	9324	78	377	6.45E-04	GKR04 - 2S □□□ 071C03 MDFKS□□ 071-03 165
58	404	1.1	8.178	106	9324	82	9324	81	317	6.41E-04	GKR04 - 2S □□□ 071C03 MDFKS□□ 071-03 165
65	363	1.0	9.101	118	9324	92	9324	84	320	9.27E-04	GKR04 - 2S □□□ 071C03 MDFKS□□ 071-03 165
25	926	4.2	3.565	46	9324	36	9324	138	817	1.10E-03	GKR05 - 2S □□□ 071C03 MDFKS□□ 071-03 165
34	675	3.2	4.889	64	9324	49	9324	147	666	8.79E-04	GKR05 - 2S □□□ 071C03 MDFKS□□ 071-03 165
44	527	2.7	6.257	81	9324	63	9324	156	527	7.79E-04	GKR05 - 2S □□□ 071C03 MDFKS□□ 071-03 165
48	479	2.8	6.883	90	9324	69	9324	179	391	8.57E-04	GKR05 - 2S □□□ 071C03 MDFKS□□ 071-03 165
55	422	2.6	7.817	102	9324	79	9324	187	338	8.32E-04	GKR05 - 2S □□□ 071C03 MDFKS□□ 071-03 165
66	350	2.2	9.440	123	9324	95	9324	191	318	7.53E-04	GKR05 - 2S □□□ 071C03 MDFKS□□ 071-03 165
76	308	2.0	10.720	139	9324	108	9324	204	276	7.40E-04	GKR05 - 2S □□□ 071C03 MDFKS□□ 071-03 165
85	273	1.9	12.081	157	9324	122	9324	208	261	7.02E-04	GKR05 - 2S □□□ 071C03 MDFKS□□ 071-03 165
93	250	1.7	13.216	172	9324	133	9324	214	241	6.87E-04	GKR05 - 2S □□□ 071C03 MDFKS□□ 071-03 165
97	241	1.7	13.719	178	9324	138	9324	217	220	6.94E-04	GKR05 - 2S □□□ 071C03 MDFKS□□ 071-03 165
106	220	1.6	15.008	195	9324	151	9324	223	204	6.80E-04	GKR05 - 2S □□□ 071C03 MDFKS□□ 071-03 165
119	196	1.5	16.857	219	9324	170	9324	240	196	6.60E-04	GKR05 - 2S □□□ 071C03 MDFKS□□ 071-03 165
136	172	1.4	19.143	249	9324	193	9324	240	172	6.55E-04	GKR05 - 2S □□□ 071C03 MDFKS□□ 071-03 165
147	160	1.3	20.650	268	9324	208	9324	240	160	6.44E-04	GKR05 - 2S □□□ 071C03 MDFKS□□ 071-03 165
167	141	1.1	23.450	305	9324	236	9324	240	141	6.41E-04	GKR05 - 2S □□□ 071C03 MDFKS□□ 071-03 165
191	123	1.1	26.878	349	9324	270	9324	240	123	6.27E-04	GKR05 - 2S □□□ 071C03 MDFKS□□ 071-03 165
37	1010	2.8	3.565	74	9325	58	9325	138	751	1.30E-03	GKR05 - 2S □□□ 071C13 MDFKS□□ 071-13 180
50	736	2.1	4.889	101	9325	80	9325	147	612	1.08E-03	GKR05 - 2S □□□ 071C13 MDFKS□□ 071-13 180
65	575	1.8	6.257	130	9325	102	9325	156	492	9.79E-04	GKR05 - 2S □□□ 071C13 MDFKS□□ 071-13 180
71	523	1.9	6.883	143	9325	112	9325	179	350	1.06E-03	GKR05 - 2S □□□ 071C13 MDFKS□□ 071-13 180
81	461	1.7	7.817	162	9325	128	9325	187	294	1.03E-03	GKR05 - 2S □□□ 071C13 MDFKS□□ 071-13 180
98	381	1.4	9.440	196	9325	154	9325	191	262	9.53E-04	GKR05 - 2S □□□ 071C13 MDFKS□□ 071-13 180
112	336	1.4	10.720	222	9325	175	9325	204	223	9.40E-04	GKR05 - 2S □□□ 071C13 MDFKS□□ 071-13 180
126	298	1.2	12.081	250	9325	197	9325	208	215	9.02E-04	GKR05 - 2S □□□ 071C13 MDFKS□□ 071-13 180
138	272	1.2	13.216	274	9325	216	9325	214	201	8.87E-04	GKR05 - 2S □□□ 071C13 MDFKS□□ 071-13 180
143	262	1.1	13.719	284	9325	224	9325	217	182	8.94E-04	GKR05 - 2S □□□ 071C13 MDFKS□□ 071-13 180
157	240	1.1	15.008	311	9325	245	9325	223	172	8.80E-04	GKR05 - 2S □□□ 071C13 MDFKS□□ 071-13 180
176	214	1.0	16.857	349	9325	275	9325	240	176	8.60E-04	GKR05 - 2S □□□ 071C13 MDFKS□□ 071-13 180
54	982	1.9	3.565	81	9325	93	9326	138	682	1.50E-03	GKR05 - 2S □□□ 071C33 MDFKS□□ 071-33 175

Observe the notes for thermal dimensioning.

Selection tables - Bevel gearboxes

Forced ventilated synchronous geared servo motors

M ₂ [Nm]	n ₂ trans [rpm]	c	i	M ₂ max short-time on geared motor at				M ₂ Gr gearbox c=1 n ₁ ≤ 1400 rpm [Nm]	n ₂ therm [rpm]	J _{GM} referred to motor shaft [kgm ²]	Bevel geared servo motor Dimensions on Page 5-28
				8 kHz		16 kHz					
				M ₂ max [Nm]	Type EVS	M ₂ max [Nm]	Type EVS				
75	716	1.5	4.889	111	9325	128	9326	147	510	1.28E-03	GKR05 - 2S □□□ 071C33 MDFKS□□ 071-33 175
96	559	1.2	6.257	143	9325	164	9326	156	413	1.18E-03	GKR05 - 2S □□□ 071C33 MDFKS□□ 071-33 175
106	508	1.3	6.883	157	9325	180	9326	179	287	1.26E-03	GKR05 - 2S □□□ 071C33 MDFKS□□ 071-33 175
120	448	1.2	7.817	178	9325	205	9326	187	243	1.23E-03	GKR05 - 2S □□□ 071C33 MDFKS□□ 071-33 175
41	548	4.3	6.022	78	9324	61	9324	241	548	9.66E-04	GKR06 - 2S □□□ 071C03 MDFKS□□ 071-03 165
78	290	4.1	11.376	148	9324	114	9324	436	290	8.21E-04	GKR06 - 2S □□□ 071C03 MDFKS□□ 071-03 165
86	265	3.9	12.444	162	9324	125	9324	450	265	7.89E-04	GKR06 - 2S □□□ 071C03 MDFKS□□ 071-03 165
95	241	3.4	13.720	178	9324	138	9324	426	239	7.73E-04	GKR06 - 2S □□□ 071C03 MDFKS□□ 071-03 165
111	208	3.1	15.873	206	9324	160	9324	450	208	7.32E-04	GKR06 - 2S □□□ 071C03 MDFKS□□ 071-03 165
122	189	2.8	17.500	227	9324	176	9324	450	189	7.23E-04	GKR06 - 2S □□□ 071C03 MDFKS□□ 071-03 165
136	170	2.5	19.444	253	9324	196	9324	450	170	6.99E-04	GKR06 - 2S □□□ 071C03 MDFKS□□ 071-03 165
151	154	2.3	21.438	279	9324	216	9324	450	154	6.93E-04	GKR06 - 2S □□□ 071C03 MDFKS□□ 071-03 165
178	130	2.2	25.309	329	9324	255	9324	450	130	6.63E-04	GKR06 - 2S □□□ 071C03 MDFKS□□ 071-03 165
197	118	2.0	27.903	363	9324	281	9324	450	118	6.59E-04	GKR06 - 2S □□□ 071C03 MDFKS□□ 071-03 165
223	105	1.8	31.481	409	9324	317	9324	450	105	6.46E-04	GKR06 - 2S □□□ 071C03 MDFKS□□ 071-03 165
246	95	1.6	34.708	451	9324	349	9324	450	95	6.43E-04	GKR06 - 2S □□□ 071C03 MDFKS□□ 071-03 165
289	81	1.5	40.741	530	9324	410	9324	450	81	6.28E-04	GKR06 - 2S □□□ 071C03 MDFKS□□ 071-03 165
319	73	1.4	44.917	584	9324	452	9324	450	73	6.27E-04	GKR06 - 2S □□□ 071C03 MDFKS□□ 071-03 165
351	67	1.2	49.444	643	9324	498	9324	450	67	6.21E-04	GKR06 - 2S □□□ 071C03 MDFKS□□ 071-03 165
388	61	1.1	54.513	675	9324	548	9324	450	61	6.20E-04	GKR06 - 2S □□□ 071C03 MDFKS□□ 071-03 165
62	598	2.9	6.022	125	9325	98	9325	241	509	1.17E-03	GKR06 - 2S □□□ 071C13 MDFKS□□ 071-13 180
117	316	2.7	11.376	236	9325	186	9325	436	267	1.02E-03	GKR06 - 2S □□□ 071C13 MDFKS□□ 071-13 180
128	289	2.6	12.444	258	9325	203	9325	450	250	9.89E-04	GKR06 - 2S □□□ 071C13 MDFKS□□ 071-13 180
142	262	2.2	13.720	284	9325	224	9325	426	220	9.73E-04	GKR06 - 2S □□□ 071C13 MDFKS□□ 071-13 180
164	227	2.0	15.873	329	9325	259	9325	450	208	9.32E-04	GKR06 - 2S □□□ 071C13 MDFKS□□ 071-13 180
181	206	1.8	17.500	363	9325	286	9325	450	181	9.23E-04	GKR06 - 2S □□□ 071C13 MDFKS□□ 071-13 180
202	185	1.7	19.444	403	9325	317	9325	450	181	8.99E-04	GKR06 - 2S □□□ 071C13 MDFKS□□ 071-13 180
223	168	1.5	21.438	444	9325	350	9325	450	156	8.93E-04	GKR06 - 2S □□□ 071C13 MDFKS□□ 071-13 180
263	142	1.4	25.309	525	9325	413	9325	450	142	8.63E-04	GKR06 - 2S □□□ 071C13 MDFKS□□ 071-13 180
291	129	1.3	27.903	578	9325	455	9325	450	129	8.59E-04	GKR06 - 2S □□□ 071C13 MDFKS□□ 071-13 180
328	114	1.2	31.481	653	9325	514	9325	450	114	8.46E-04	GKR06 - 2S □□□ 071C13 MDFKS□□ 071-13 180
363	104	1.1	34.708	675	9325	566	9325	450	104	8.43E-04	GKR06 - 2S □□□ 071C13 MDFKS□□ 071-13 180
92	581	2.0	6.022	137	9325	158	9326	241	469	1.37E-03	GKR06 - 2S □□□ 071C33 MDFKS□□ 071-33 175
173	308	1.9	11.376	259	9325	298	9326	436	242	1.22E-03	GKR06 - 2S □□□ 071C33 MDFKS□□ 071-33 175

Observe the notes for thermal dimensioning.

Selection tables - Bevel gearboxes

Forced ventilated synchronous geared servo motors



M ₂ [Nm]	n ₂ trans [rpm]	c	i	M ₂ max short-time on geared motor at				M ₂ Gr gearbox c=1 n ₁ ≤ 1400 rpm [Nm]	n ₂ therm [rpm]	J _{GM} referred to motor shaft [kgm ²]	Bevel geared servo motor Dimensions on Page 5-28
				8 kHz		16 kHz					
				M ₂ max [Nm]	Type EVS	M ₂ max [Nm]	Type EVS				
190	281	1.8	12.444	284	9325	326	9326	450	222	1.19E-03	GKR06 - 2S □□□ 071C33 MDFKS□□ 071-33 175
210	255	1.5	13.720	313	9325	359	9326	426	185	1.17E-03	GKR06 - 2S □□□ 071C33 MDFKS□□ 071-33 175
243	221	1.4	15.873	362	9325	416	9326	450	175	1.13E-03	GKR06 - 2S □□□ 071C33 MDFKS□□ 071-33 175
269	200	1.3	17.500	399	9325	458	9326	450	152	1.12E-03	GKR06 - 2S □□□ 071C33 MDFKS□□ 071-33 175
299	180	1.1	19.444	443	9325	509	9326	450	151	1.10E-03	GKR06 - 2S □□□ 071C33 MDFKS□□ 071-33 175
330	163	1.0	21.438	489	9325	561	9326	450	131	1.09E-03	GKR06 - 2S □□□ 071C33 MDFKS□□ 071-33 175

Observe the notes for thermal dimensioning.

Selection tables - Bevel gearboxes

Naturally ventilated asynchronous geared servo motors

M ₂ [Nm]	n ₂ trans [rpm]	c	i	M ₂ max short-time on geared motor at				M ₂ Gr gearbox c=1 n ₁ ≤ 1400 rpm [Nm]	n ₂ therm [rpm]	J _G M referred to motor shaft [kgm ²]	Bevel geared servo motor Dimensions on Page 5-28
				8 kHz		16 kHz					
				M ₂ max [Nm]	Type EVS	M ₂ max [Nm]	Type EVS				
9	762	5.1	5.185	22	9322	26	9323	69	697	3.21E-04	GKR04 - 2A □□□ 056C22 MDSKA□□ 056-22 140
11	662	4.6	5.963	25	9322	30	9323	72	597	3.12E-04	GKR04 - 2A □□□ 056C22 MDSKA□□ 056-22 140
13	555	4.2	7.111	30	9322	36	9323	78	543	2.85E-04	GKR04 - 2A □□□ 056C22 MDSKA□□ 056-22 140
15	483	3.8	8.178	35	9322	41	9323	81	465	2.81E-04	GKR04 - 2A □□□ 056C22 MDSKA□□ 056-22 140
17	434	3.5	9.101	39	9322	46	9323	84	434	5.67E-04	GKR04 - 2A □□□ 056C22 MDSKA□□ 056-22 140
19	377	3.2	10.466	44	9322	53	9323	89	377	2.70E-04	GKR04 - 2A □□□ 056C22 MDSKA□□ 056-22 140
21	345	3.0	11.449	48	9322	58	9323	90	345	2.66E-04	GKR04 - 2A □□□ 056C22 MDSKA□□ 056-22 140
24	311	2.7	12.698	54	9322	64	9323	90	311	4.39E-04	GKR04 - 2A □□□ 056C22 MDSKA□□ 056-22 140
27	270	2.3	14.603	62	9322	74	9323	90	270	2.58E-04	GKR04 - 2A □□□ 056C22 MDSKA□□ 056-22 140
29	254	2.2	15.556	66	9322	78	9323	90	254	3.87E-04	GKR04 - 2A □□□ 056C22 MDSKA□□ 056-22 140
34	221	1.9	17.889	76	9322	90	9323	90	221	2.54E-04	GKR04 - 2A □□□ 056C22 MDSKA□□ 056-22 140
37	202	1.8	19.556	83	9322	99	9323	90	202	2.50E-04	GKR04 - 2A □□□ 056C22 MDSKA□□ 056-22 140
42	176	1.5	22.489	95	9322	113	9323	90	176	2.49E-04	GKR04 - 2A □□□ 056C22 MDSKA□□ 056-22 140
48	157	1.5	25.185	107	9322	127	9323	90	157	2.46E-04	GKR04 - 2A □□□ 056C22 MDSKA□□ 056-22 140
55	136	1.3	28.963	122	9322	135	9323	90	136	2.46E-04	GKR04 - 2A □□□ 056C22 MDSKA□□ 056-22 140
19	781	2.5	5.185	62	9324	45	9324	69	611	9.11E-04	GKR04 - 2A □□□ 071C22 MDSKA□□ 071-22 140
22	679	2.3	5.963	71	9324	52	9324	72	521	9.02E-04	GKR04 - 2A □□□ 071C22 MDSKA□□ 071-22 140
27	570	2.1	7.111	85	9324	62	9324	78	480	8.75E-04	GKR04 - 2A □□□ 071C22 MDSKA□□ 071-22 140
31	495	1.9	8.178	98	9324	72	9324	81	404	8.71E-04	GKR04 - 2A □□□ 071C22 MDSKA□□ 071-22 140
34	445	1.8	9.101	109	9324	80	9324	84	414	1.16E-03	GKR04 - 2A □□□ 071C22 MDSKA□□ 071-22 140
40	387	1.6	10.466	125	9324	92	9324	89	343	8.60E-04	GKR04 - 2A □□□ 071C22 MDSKA□□ 071-22 140
43	354	1.5	11.449	135	9324	100	9324	90	316	8.56E-04	GKR04 - 2A □□□ 071C22 MDSKA□□ 071-22 140
48	319	1.3	12.698	135	9324	111	9324	90	312	1.03E-03	GKR04 - 2A □□□ 071C22 MDSKA□□ 071-22 140
55	277	1.2	14.603	135	9324	128	9324	90	258	8.48E-04	GKR04 - 2A □□□ 071C22 MDSKA□□ 071-22 140
59	260	1.1	15.556	135	9324	135	9324	90	260	9.77E-04	GKR04 - 2A □□□ 071C22 MDSKA□□ 071-22 140
27	263	5.7	15.008	63	9322	76	9323	223	263	3.20E-04	GKR05 - 2A □□□ 056C22 MDSKA□□ 056-22 140
31	234	5.4	16.857	71	9322	85	9323	240	234	3.00E-04	GKR05 - 2A □□□ 056C22 MDSKA□□ 056-22 140
35	206	4.8	19.143	81	9322	96	9323	240	206	2.95E-04	GKR05 - 2A □□□ 056C22 MDSKA□□ 056-22 140
38	191	4.4	20.650	87	9322	104	9323	240	191	2.84E-04	GKR05 - 2A □□□ 056C22 MDSKA□□ 056-22 140
43	168	3.9	23.450	99	9322	118	9323	240	168	2.81E-04	GKR05 - 2A □□□ 056C22 MDSKA□□ 056-22 140
50	147	3.9	26.878	114	9322	135	9323	240	147	2.67E-04	GKR05 - 2A □□□ 056C22 MDSKA□□ 056-22 140
57	129	3.4	30.522	129	9322	154	9323	240	129	2.65E-04	GKR05 - 2A □□□ 056C22 MDSKA□□ 056-22 140
62	118	3.1	33.433	141	9322	168	9323	240	118	2.59E-04	GKR05 - 2A □□□ 056C22 MDSKA□□ 056-22 140
71	104	2.7	37.967	161	9322	191	9323	240	104	2.58E-04	GKR05 - 2A □□□ 056C22 MDSKA□□ 056-22 140

Observe the notes for thermal dimensioning.

Selection tables - Bevel gearboxes

Naturally ventilated asynchronous geared servo motors



M ₂ [Nm]	n _{2 trans} [rpm]	c	i	M _{2 max} short-time on geared motor at				M _{2 Gr} gearbox c=1 n ₁ ≤ 1400 rpm [Nm]	n _{2 therm} [rpm]	J _{GM} referred to motor shaft [kgm ²]	Bevel geared servo motor Dimensions on Page 5-28
				8 kHz		16 kHz					
				M _{2 max} [Nm]	Type EVS	M _{2 max} [Nm]	Type EVS				
81	91	2.7	43.267	183	9322	218	9323	240	91	2.52E-04	GKR05 - 2A □□□ 056C22 MDSKA□□ 056-22 140
92	80	2.3	49.133	208	9322	247	9323	240	80	2.51E-04	GKR05 - 2A □□□ 056C22 MDSKA□□ 056-22 140
99	75	2.2	52.510	222	9322	264	9323	240	75	2.49E-04	GKR05 - 2A □□□ 056C22 MDSKA□□ 056-22 140
112	66	1.9	59.630	252	9322	300	9323	240	66	2.48E-04	GKR05 - 2A □□□ 056C22 MDSKA□□ 056-22 140
18	828	5.7	4.889	59	9324	43	9324	147	739	1.11E-03	GKR05 - 2A □□□ 071C22 MDSKA□□ 071-22 140
23	647	4.7	6.257	75	9324	55	9324	156	608	1.01E-03	GKR05 - 2A □□□ 071C22 MDSKA□□ 071-22 140
25	588	4.9	6.883	82	9324	60	9324	179	437	1.09E-03	GKR05 - 2A □□□ 071C22 MDSKA□□ 071-22 140
29	518	4.5	7.817	94	9324	68	9324	187	379	1.06E-03	GKR05 - 2A □□□ 071C22 MDSKA□□ 071-22 140
35	429	3.8	9.440	113	9324	83	9324	191	356	9.83E-04	GKR05 - 2A □□□ 071C22 MDSKA□□ 071-22 140
40	378	3.6	10.720	128	9324	94	9324	204	310	9.70E-04	GKR05 - 2A □□□ 071C22 MDSKA□□ 071-22 140
45	335	3.3	12.081	145	9324	106	9324	208	295	9.32E-04	GKR05 - 2A □□□ 071C22 MDSKA□□ 071-22 140
49	306	3.1	13.216	158	9324	116	9324	214	277	9.17E-04	GKR05 - 2A □□□ 071C22 MDSKA□□ 071-22 140
51	295	3.0	13.719	164	9324	120	9324	217	256	9.24E-04	GKR05 - 2A □□□ 071C22 MDSKA□□ 071-22 140
56	270	2.8	15.008	180	9324	131	9324	223	240	9.10E-04	GKR05 - 2A □□□ 071C22 MDSKA□□ 071-22 140
63	240	2.7	16.857	202	9324	147	9324	240	240	8.90E-04	GKR05 - 2A □□□ 071C22 MDSKA□□ 071-22 140
72	212	2.4	19.143	229	9324	167	9324	240	212	8.85E-04	GKR05 - 2A □□□ 071C22 MDSKA□□ 071-22 140
77	196	2.2	20.650	247	9324	181	9324	240	196	8.74E-04	GKR05 - 2A □□□ 071C22 MDSKA□□ 071-22 140
88	173	1.9	23.450	281	9324	205	9324	240	173	8.71E-04	GKR05 - 2A □□□ 071C22 MDSKA□□ 071-22 140
101	151	1.9	26.878	322	9324	235	9324	240	151	8.57E-04	GKR05 - 2A □□□ 071C22 MDSKA□□ 071-22 140
115	133	1.7	30.522	360	9324	267	9324	240	133	8.55E-04	GKR05 - 2A □□□ 071C22 MDSKA□□ 071-22 140
126	121	1.5	33.433	360	9324	292	9324	240	121	8.49E-04	GKR05 - 2A □□□ 071C22 MDSKA□□ 071-22 140
144	107	1.4	37.967	360	9324	332	9324	240	107	8.48E-04	GKR05 - 2A □□□ 071C22 MDSKA□□ 071-22 140
22	561	5.5	3.565	51	9323	72	9324	138	561	2.42E-03	GKR05 - 2A □□□ 080C22 MDSKA□□ 080-22 70
30	409	4.3	4.889	70	9323	99	9324	147	409	2.20E-03	GKR05 - 2A □□□ 080C22 MDSKA□□ 080-22 70
39	320	3.6	6.257	90	9323	126	9324	156	320	2.10E-03	GKR05 - 2A □□□ 080C22 MDSKA□□ 080-22 70
43	291	3.7	6.883	99	9323	139	9324	179	291	2.18E-03	GKR05 - 2A □□□ 080C22 MDSKA□□ 080-22 70
48	256	3.4	7.817	112	9323	157	9324	187	256	2.15E-03	GKR05 - 2A □□□ 080C22 MDSKA□□ 080-22 70
59	212	2.9	9.440	135	9323	190	9324	191	212	2.07E-03	GKR05 - 2A □□□ 080C22 MDSKA□□ 080-22 70
67	187	2.7	10.720	154	9323	216	9324	204	187	2.06E-03	GKR05 - 2A □□□ 080C22 MDSKA□□ 080-22 70
76	166	2.5	12.081	173	9323	243	9324	208	166	2.02E-03	GKR05 - 2A □□□ 080C22 MDSKA□□ 080-22 70
83	151	2.3	13.216	190	9323	266	9324	214	151	2.01E-03	GKR05 - 2A □□□ 080C22 MDSKA□□ 080-22 70
86	146	2.3	13.719	197	9323	276	9324	217	146	2.01E-03	GKR05 - 2A □□□ 080C22 MDSKA□□ 080-22 70
94	133	2.1	15.008	215	9323	302	9324	223	133	2.00E-03	GKR05 - 2A □□□ 080C22 MDSKA□□ 080-22 70
106	119	2.0	16.857	242	9323	340	9324	240	119	1.98E-03	GKR05 - 2A □□□ 080C22 MDSKA□□ 080-22 70

Observe the notes for thermal dimensioning.

Selection tables - Bevel gearboxes

Naturally ventilated asynchronous geared servo motors

M ₂ [Nm]	n ₂ trans [rpm]	c	i	M ₂ max short-time on geared motor at				M ₂ Gr gearbox c=1 n ₁ ≤ 1400 rpm [Nm]	n ₂ therm [rpm]	J _{GM} referred to motor shaft [kgm ²]	Bevel geared servo motor Dimensions on Page 5-28
				8 kHz		16 kHz					
				M ₂ max [Nm]	Type EVS	M ₂ max [Nm]	Type EVS				
121	104	1.8	19.143	275	9323	360	9324	240	104	1.98E-03	GKR05 - 2A □□□ 080C22 MDSKA□□ 080-22 70
131	97	1.7	20.650	296	9323	360	9324	240	97	1.96E-03	GKR05 - 2A □□□ 080C22 MDSKA□□ 080-22 70
149	85	1.5	23.450	336	9323	360	9324	240	85	1.96E-03	GKR05 - 2A □□□ 080C22 MDSKA□□ 080-22 70
17	1150	5.4	3.565	45	9324	65	9325	138	858	2.42E-03	GKR05 - 2A □□□ 080C22 MDSKA□□ 080-22 140
24	839	4.2	4.889	61	9324	89	9325	147	699	2.20E-03	GKR05 - 2A □□□ 080C22 MDSKA□□ 080-22 140
31	655	3.5	6.257	79	9324	114	9325	156	574	2.10E-03	GKR05 - 2A □□□ 080C22 MDSKA□□ 080-22 140
34	596	3.6	6.883	86	9324	125	9325	179	412	2.18E-03	GKR05 - 2A □□□ 080C22 MDSKA□□ 080-22 140
39	525	3.3	7.817	98	9324	142	9325	187	356	2.15E-03	GKR05 - 2A □□□ 080C22 MDSKA□□ 080-22 140
48	434	2.8	9.440	118	9324	171	9325	191	335	2.07E-03	GKR05 - 2A □□□ 080C22 MDSKA□□ 080-22 140
54	382	2.6	10.720	134	9324	195	9325	204	292	2.06E-03	GKR05 - 2A □□□ 080C22 MDSKA□□ 080-22 140
61	339	2.4	12.081	152	9324	219	9325	208	279	2.02E-03	GKR05 - 2A □□□ 080C22 MDSKA□□ 080-22 140
67	310	2.3	13.216	166	9324	240	9325	214	262	2.01E-03	GKR05 - 2A □□□ 080C22 MDSKA□□ 080-22 140
69	299	2.2	13.719	172	9324	249	9325	217	242	2.01E-03	GKR05 - 2A □□□ 080C22 MDSKA□□ 080-22 140
76	273	2.1	15.008	188	9324	272	9325	223	227	2.00E-03	GKR05 - 2A □□□ 080C22 MDSKA□□ 080-22 140
86	243	2.0	16.857	211	9324	306	9325	240	213	1.98E-03	GKR05 - 2A □□□ 080C22 MDSKA□□ 080-22 140
97	214	1.7	19.143	240	9324	347	9325	240	188	1.98E-03	GKR05 - 2A □□□ 080C22 MDSKA□□ 080-22 140
105	199	1.6	20.650	259	9324	360	9325	240	174	1.96E-03	GKR05 - 2A □□□ 080C22 MDSKA□□ 080-22 140
120	175	1.4	23.450	294	9324	360	9325	240	153	1.96E-03	GKR05 - 2A □□□ 080C22 MDSKA□□ 080-22 140
63	114	5.6	34.708	147	9322	175	9323	450	114	2.83E-04	GKR06 - 2A □□□ 056C22 MDSKA□□ 056-22 140
74	97	5.3	40.741	172	9322	205	9323	450	97	2.68E-04	GKR06 - 2A □□□ 056C22 MDSKA□□ 056-22 140
82	88	4.8	44.917	190	9322	226	9323	450	88	2.67E-04	GKR06 - 2A □□□ 056C22 MDSKA□□ 056-22 140
91	80	4.4	49.444	209	9322	249	9323	450	80	2.61E-04	GKR06 - 2A □□□ 056C22 MDSKA□□ 056-22 140
100	72	4.0	54.513	231	9322	275	9323	450	72	2.60E-04	GKR06 - 2A □□□ 056C22 MDSKA□□ 056-22 140
116	63	2.9	62.500	264	9322	315	9323	378	63	2.53E-04	GKR06 - 2A □□□ 056C22 MDSKA□□ 056-22 140
128	57	2.9	68.906	291	9322	347	9323	417	57	2.53E-04	GKR06 - 2A □□□ 056C22 MDSKA□□ 056-22 140
49	295	5.9	13.720	164	9324	120	9324	426	265	1.00E-03	GKR06 - 2A □□□ 071C22 MDSKA□□ 071-22 140
58	255	5.4	15.873	190	9324	139	9324	450	247	9.62E-04	GKR06 - 2A □□□ 071C22 MDSKA□□ 071-22 140
64	231	4.9	17.500	210	9324	153	9324	450	221	9.53E-04	GKR06 - 2A □□□ 071C22 MDSKA□□ 071-22 140
71	208	4.4	19.444	233	9324	170	9324	450	208	9.29E-04	GKR06 - 2A □□□ 071C22 MDSKA□□ 071-22 140
79	189	4.0	21.438	257	9324	187	9324	450	189	9.23E-04	GKR06 - 2A □□□ 071C22 MDSKA□□ 071-22 140
93	160	3.8	25.309	303	9324	221	9324	450	160	8.93E-04	GKR06 - 2A □□□ 071C22 MDSKA□□ 071-22 140
103	145	3.5	27.903	334	9324	244	9324	450	145	8.89E-04	GKR06 - 2A □□□ 071C22 MDSKA□□ 071-22 140
117	129	3.1	31.481	377	9324	275	9324	450	129	8.76E-04	GKR06 - 2A □□□ 071C22 MDSKA□□ 071-22 140
129	117	2.8	34.708	416	9324	303	9324	450	117	8.73E-04	GKR06 - 2A □□□ 071C22 MDSKA□□ 071-22 140

Observe the notes for thermal dimensioning.

Selection tables - Bevel gearboxes

Naturally ventilated asynchronous geared servo motors



M ₂ [Nm]	n _{2 trans} [rpm]	c	i	M _{2 max} short-time on geared motor at				M _{2 Gr} gearbox c=1 n ₁ ≤ 1400 rpm [Nm]	n _{2 therm} [rpm]	J _{GM} referred to motor shaft [kgm ²]	Bevel geared servo motor Dimensions on Page 5-28
				8 kHz		16 kHz					
				M _{2 max} [Nm]	Type EVS	M _{2 max} [Nm]	Type EVS				
152	99	2.6	40.741	488	9324	356	9324	450	99	8.58E-04	GKR06 - 2A □□□ 071C22 MDSKA□□ 071-22 140
168	90	2.4	44.917	538	9324	393	9324	450	90	8.57E-04	GKR06 - 2A □□□ 071C22 MDSKA□□ 071-22 140
186	82	2.2	49.444	592	9324	432	9324	450	82	8.51E-04	GKR06 - 2A □□□ 071C22 MDSKA□□ 071-22 140
205	74	2.0	54.513	653	9324	477	9324	450	74	8.50E-04	GKR06 - 2A □□□ 071C22 MDSKA□□ 071-22 140
59	204	5.6	9.800	141	9323	197	9324	384	204	2.21E-03	GKR06 - 2A □□□ 080C22 MDSKA□□ 080-22 70
69	176	5.5	11.376	163	9323	229	9324	436	176	2.14E-03	GKR06 - 2A □□□ 080C22 MDSKA□□ 080-22 70
76	161	5.2	12.444	179	9323	251	9324	450	161	2.11E-03	GKR06 - 2A □□□ 080C22 MDSKA□□ 080-22 70
84	146	4.4	13.720	197	9323	276	9324	426	146	2.09E-03	GKR06 - 2A □□□ 080C22 MDSKA□□ 080-22 70
98	126	4.0	15.873	228	9323	320	9324	450	126	2.05E-03	GKR06 - 2A □□□ 080C22 MDSKA□□ 080-22 70
108	114	3.7	17.500	251	9323	353	9324	450	114	2.04E-03	GKR06 - 2A □□□ 080C22 MDSKA□□ 080-22 70
121	103	3.3	19.444	279	9323	392	9324	450	103	2.02E-03	GKR06 - 2A □□□ 080C22 MDSKA□□ 080-22 70
134	93	3.0	21.438	308	9323	432	9324	450	93	2.01E-03	GKR06 - 2A □□□ 080C22 MDSKA□□ 080-22 70
158	79	2.8	25.309	363	9323	510	9324	450	79	1.98E-03	GKR06 - 2A □□□ 080C22 MDSKA□□ 080-22 70
175	72	2.5	27.903	400	9323	562	9324	450	72	1.98E-03	GKR06 - 2A □□□ 080C22 MDSKA□□ 080-22 70
198	64	2.2	31.481	452	9323	634	9324	450	64	1.97E-03	GKR06 - 2A □□□ 080C22 MDSKA□□ 080-22 70
219	58	2.0	34.708	498	9323	675	9324	450	58	1.96E-03	GKR06 - 2A □□□ 080C22 MDSKA□□ 080-22 70
48	418	5.5	9.800	123	9324	178	9325	384	307	2.21E-03	GKR06 - 2A □□□ 080C22 MDSKA□□ 080-22 140
56	360	5.3	11.376	143	9324	206	9325	436	305	2.14E-03	GKR06 - 2A □□□ 080C22 MDSKA□□ 080-22 140
61	329	5.0	12.444	156	9324	226	9325	450	284	2.11E-03	GKR06 - 2A □□□ 080C22 MDSKA□□ 080-22 140
68	299	4.3	13.720	172	9324	249	9325	426	251	2.09E-03	GKR06 - 2A □□□ 080C22 MDSKA□□ 080-22 140
79	258	4.0	15.873	199	9324	288	9325	450	226	2.05E-03	GKR06 - 2A □□□ 080C22 MDSKA□□ 080-22 140
87	234	3.6	17.500	220	9324	318	9325	450	205	2.04E-03	GKR06 - 2A □□□ 080C22 MDSKA□□ 080-22 140
97	211	3.2	19.444	244	9324	353	9325	450	185	2.02E-03	GKR06 - 2A □□□ 080C22 MDSKA□□ 080-22 140
108	191	2.9	21.438	269	9324	389	9325	450	167	2.01E-03	GKR06 - 2A □□□ 080C22 MDSKA□□ 080-22 140
127	162	2.8	25.309	317	9324	459	9325	450	142	1.98E-03	GKR06 - 2A □□□ 080C22 MDSKA□□ 080-22 140
141	147	2.6	27.903	350	9324	506	9325	450	129	1.98E-03	GKR06 - 2A □□□ 080C22 MDSKA□□ 080-22 140
159	130	2.3	31.481	395	9324	571	9325	450	114	1.97E-03	GKR06 - 2A □□□ 080C22 MDSKA□□ 080-22 140
176	118	2.1	34.708	435	9324	630	9325	450	103	1.96E-03	GKR06 - 2A □□□ 080C22 MDSKA□□ 080-22 140
34	670	4.9	3.431	80	9324	113	9325	200	670	4.56E-03	GKR06 - 2A □□□ 090C22 MDSKA□□ 090-22 80
47	489	4.5	4.706	109	9324	154	9325	250	489	4.16E-03	GKR06 - 2A □□□ 090C22 MDSKA□□ 090-22 80
60	382	3.9	6.022	140	9324	197	9325	280	382	3.97E-03	GKR06 - 2A □□□ 090C22 MDSKA□□ 090-22 80
64	355	4.6	6.481	150	9324	212	9325	350	355	4.11E-03	GKR06 - 2A □□□ 090C22 MDSKA□□ 090-22 80
71	322	4.1	7.146	166	9324	234	9325	348	322	4.05E-03	GKR06 - 2A □□□ 090C22 MDSKA□□ 090-22 80
88	259	3.9	8.889	206	9324	291	9325	408	259	3.92E-03	GKR06 - 2A □□□ 090C22 MDSKA□□ 090-22 80

Observe the notes for thermal dimensioning.

Selection tables - Bevel gearboxes

Naturally ventilated asynchronous geared servo motors

M ₂ [Nm]	n ₂ trans [rpm]	c	i	M ₂ max short-time on geared motor at				M ₂ Gr gearbox c=1 n ₁ ≤ 1400 rpm [Nm]	n ₂ therm [rpm]	J _{GM} referred to motor shaft [kgm ²]	Bevel geared servo motor Dimensions on Page 5-28
				8 kHz		16 kHz					
				M ₂ max [Nm]	Type EVS	M ₂ max [Nm]	Type EVS				
98	235	3.3	9.800	227	9324	321	9325	384	235	3.89E-03	GKR06 - 2A □□□ 090C22 MDSKA□□ 090-22 80
114	202	3.2	11.376	264	9324	373	9325	436	202	3.82E-03	GKR06 - 2A □□□ 090C22 MDSKA□□ 090-22 80
125	185	3.1	12.444	289	9324	408	9325	450	185	3.79E-03	GKR06 - 2A □□□ 090C22 MDSKA□□ 090-22 80
138	168	2.6	13.720	318	9324	450	9325	426	168	3.77E-03	GKR06 - 2A □□□ 090C22 MDSKA□□ 090-22 80
160	145	2.4	15.873	368	9324	520	9325	450	145	3.73E-03	GKR06 - 2A □□□ 090C22 MDSKA□□ 090-22 80
177	131	2.2	17.500	406	9324	574	9325	450	131	3.72E-03	GKR06 - 2A □□□ 090C22 MDSKA□□ 090-22 80
198	118	2.0	19.444	451	9324	637	9325	450	118	3.70E-03	GKR06 - 2A □□□ 090C22 MDSKA□□ 090-22 80
218	107	1.8	21.438	497	9324	675	9325	450	107	3.69E-03	GKR06 - 2A □□□ 090C22 MDSKA□□ 090-22 80
30	1198	4.6	3.431	76	9325	91	9326	200	733	4.56E-03	GKR06 - 2A □□□ 090C22 MDSKA□□ 090-22 140
41	873	4.2	4.706	105	9325	125	9326	250	608	4.16E-03	GKR06 - 2A □□□ 090C22 MDSKA□□ 090-22 140
53	682	3.7	6.022	134	9325	160	9326	280	517	3.97E-03	GKR06 - 2A □□□ 090C22 MDSKA□□ 090-22 140
56	634	4.3	6.481	144	9325	172	9326	350	382	4.11E-03	GKR06 - 2A □□□ 090C22 MDSKA□□ 090-22 140
63	575	3.9	7.146	159	9325	190	9326	348	339	4.05E-03	GKR06 - 2A □□□ 090C22 MDSKA□□ 090-22 140
78	462	3.6	8.889	198	9325	237	9326	408	313	3.92E-03	GKR06 - 2A □□□ 090C22 MDSKA□□ 090-22 140
86	419	3.1	9.800	218	9325	261	9326	384	274	3.89E-03	GKR06 - 2A □□□ 090C22 MDSKA□□ 090-22 140
100	361	3.0	11.376	253	9325	303	9326	436	273	3.82E-03	GKR06 - 2A □□□ 090C22 MDSKA□□ 090-22 140
110	330	2.9	12.444	277	9325	331	9326	450	250	3.79E-03	GKR06 - 2A □□□ 090C22 MDSKA□□ 090-22 140
122	300	2.5	13.720	305	9325	365	9326	426	225	3.77E-03	GKR06 - 2A □□□ 090C22 MDSKA□□ 090-22 140
141	259	2.2	15.873	353	9325	422	9326	450	196	3.73E-03	GKR06 - 2A □□□ 090C22 MDSKA□□ 090-22 140
156	235	2.0	17.500	389	9325	466	9326	450	178	3.72E-03	GKR06 - 2A □□□ 090C22 MDSKA□□ 090-22 140
174	211	1.8	19.444	432	9325	517	9326	450	160	3.70E-03	GKR06 - 2A □□□ 090C22 MDSKA□□ 090-22 140
192	192	1.7	21.438	477	9325	570	9326	450	145	3.69E-03	GKR06 - 2A □□□ 090C22 MDSKA□□ 090-22 140

Observe the notes for thermal dimensioning.

Selection tables - Bevel gearboxes

Forced ventilated asynchronous geared servo motors



M ₂ [Nm]	n _{2 trans} [rpm]	c	i	M _{2 max} short-time on geared motor at				M _{2 Gr} gearbox c=1 n ₁ ≤ 1400 rpm [Nm]	n _{2 therm} [rpm]	J _{GM} referred to motor shaft [kgm ²]	Bevel geared servo motor Dimensions on Page 5-28
				8 kHz		16 kHz					
				M _{2 max} [Nm]	Type EVS	M _{2 max} [Nm]	Type EVS				
31	658	1.7	5.185	64	9324	94	9325	69	533	9.11E-04	GKR04 - 2A □□□ 071C22 MDFKA□□ 071-22 120
35	572	1.5	5.963	74	9324	108	9325	72	441	9.02E-04	GKR04 - 2A □□□ 071C22 MDFKA□□ 071-22 120
42	480	1.4	7.111	88	9324	116	9325	78	404	8.75E-04	GKR04 - 2A □□□ 071C22 MDFKA□□ 071-22 120
49	417	1.3	8.178	101	9324	122	9325	81	337	8.71E-04	GKR04 - 2A □□□ 071C22 MDFKA□□ 071-22 120
54	375	1.2	9.101	112	9324	127	9325	84	342	1.16E-03	GKR04 - 2A □□□ 071C22 MDFKA□□ 071-22 120
63	326	1.1	10.466	129	9324	133	9325	89	286	8.60E-04	GKR04 - 2A □□□ 071C22 MDFKA□□ 071-22 120
20	957	4.9	3.565	44	9324	64	9325	138	843	1.33E-03	GKR05 - 2A □□□ 071C22 MDFKA□□ 071-22 120
28	698	3.8	4.889	60	9324	88	9325	147	687	1.11E-03	GKR05 - 2A □□□ 071C22 MDFKA□□ 071-22 120
37	545	3.2	6.257	77	9324	113	9325	156	545	1.01E-03	GKR05 - 2A □□□ 071C22 MDFKA□□ 071-22 120
40	495	3.3	6.883	85	9324	124	9325	179	404	1.09E-03	GKR05 - 2A □□□ 071C22 MDFKA□□ 071-22 120
46	436	3.0	7.817	97	9324	141	9325	187	350	1.06E-03	GKR05 - 2A □□□ 071C22 MDFKA□□ 071-22 120
56	361	2.6	9.440	117	9324	170	9325	191	329	9.83E-04	GKR05 - 2A □□□ 071C22 MDFKA□□ 071-22 120
63	318	2.4	10.720	132	9324	194	9325	204	286	9.70E-04	GKR05 - 2A □□□ 071C22 MDFKA□□ 071-22 120
71	282	2.2	12.081	149	9324	218	9325	208	274	9.32E-04	GKR05 - 2A □□□ 071C22 MDFKA□□ 071-22 120
78	258	2.1	13.216	163	9324	239	9325	214	258	9.17E-04	GKR05 - 2A □□□ 071C22 MDFKA□□ 071-22 120
81	249	2.0	13.719	169	9324	248	9325	217	238	9.24E-04	GKR05 - 2A □□□ 071C22 MDFKA□□ 071-22 120
89	227	1.9	15.008	185	9324	271	9325	223	221	9.10E-04	GKR05 - 2A □□□ 071C22 MDFKA□□ 071-22 120
100	202	1.8	16.857	208	9324	304	9325	240	202	8.90E-04	GKR05 - 2A □□□ 071C22 MDFKA□□ 071-22 120
114	178	1.6	19.143	236	9324	346	9325	240	178	8.85E-04	GKR05 - 2A □□□ 071C22 MDFKA□□ 071-22 120
123	165	1.5	20.650	255	9324	360	9325	240	165	8.74E-04	GKR05 - 2A □□□ 071C22 MDFKA□□ 071-22 120
140	145	1.3	23.450	290	9324	360	9325	240	145	8.71E-04	GKR05 - 2A □□□ 071C22 MDFKA□□ 071-22 120
160	127	1.3	26.878	332	9324	360	9325	240	127	8.57E-04	GKR05 - 2A □□□ 071C22 MDFKA□□ 071-22 120
182	112	1.1	30.522	360	9324	360	9325	240	112	8.55E-04	GKR05 - 2A □□□ 071C22 MDFKA□□ 071-22 120
200	102	1.0	33.433	360	9324	360	9325	240	102	8.49E-04	GKR05 - 2A □□□ 071C22 MDFKA□□ 071-22 120
40	459	3.3	3.565	100	9324	73	9324	138	459	2.42E-03	GKR05 - 2A □□□ 080C22 MDFKA□□ 080-22 60
55	334	2.6	4.889	138	9324	100	9324	147	334	2.20E-03	GKR05 - 2A □□□ 080C22 MDFKA□□ 080-22 60
70	261	2.1	6.257	176	9324	128	9324	156	261	2.10E-03	GKR05 - 2A □□□ 080C22 MDFKA□□ 080-22 60
77	238	2.2	6.883	194	9324	141	9324	179	238	2.18E-03	GKR05 - 2A □□□ 080C22 MDFKA□□ 080-22 60
88	209	2.0	7.817	220	9324	160	9324	187	209	2.15E-03	GKR05 - 2A □□□ 080C22 MDFKA□□ 080-22 60
107	173	1.7	9.440	266	9324	193	9324	191	173	2.07E-03	GKR05 - 2A □□□ 080C22 MDFKA□□ 080-22 60
121	153	1.6	10.720	302	9324	219	9324	204	153	2.06E-03	GKR05 - 2A □□□ 080C22 MDFKA□□ 080-22 60
137	135	1.5	12.081	312	9324	247	9324	208	135	2.02E-03	GKR05 - 2A □□□ 080C22 MDFKA□□ 080-22 60
150	124	1.4	13.216	321	9324	270	9324	214	124	2.01E-03	GKR05 - 2A □□□ 080C22 MDFKA□□ 080-22 60
156	119	1.3	13.719	325	9324	280	9324	217	119	2.01E-03	GKR05 - 2A □□□ 080C22 MDFKA□□ 080-22 60

Observe the notes for thermal dimensioning.

Selection tables - Bevel gearboxes

Forced ventilated asynchronous geared servo motors

M ₂ [Nm]	n _{2 trans} [rpm]	c	i	M _{2 max} short-time on geared motor at				M _{2 Gr} gearbox c=1 n ₁ ≤ 1400 rpm [Nm]	n _{2 therm} [rpm]	J _G M referred to motor shaft [kgm ²]	Bevel geared servo motor Dimensions on Page 5-28
				8 kHz		16 kHz					
				M _{2 max} [Nm]	Type EVS	M _{2 max} [Nm]	Type EVS				
171	109	1.3	15.008	335	9324	307	9324	223	109	2.00E-03	GKR05 - 2A □□□ 080C22 MDFKA□□ 080-22 60
192	97	1.2	16.857	360	9324	344	9324	240	97	1.98E-03	GKR05 - 2A □□□ 080C22 MDFKA□□ 080-22 60
218	85	1.1	19.143	360	9324	360	9324	240	85	1.98E-03	GKR05 - 2A □□□ 080C22 MDFKA□□ 080-22 60
36	969	2.9	3.565	99	9325	72	9325	138	757	2.42E-03	GKR05 - 2A □□□ 080C22 MDFKA□□ 080-22 120
50	707	2.2	4.889	136	9325	99	9325	147	616	2.20E-03	GKR05 - 2A □□□ 080C22 MDFKA□□ 080-22 120
64	552	1.8	6.257	174	9325	126	9325	156	501	2.10E-03	GKR05 - 2A □□□ 080C22 MDFKA□□ 080-22 120
70	502	1.9	6.883	192	9325	139	9325	179	356	2.18E-03	GKR05 - 2A □□□ 080C22 MDFKA□□ 080-22 120
80	442	1.8	7.817	218	9325	157	9325	187	299	2.15E-03	GKR05 - 2A □□□ 080C22 MDFKA□□ 080-22 120
96	366	1.5	9.440	263	9325	190	9325	191	266	2.07E-03	GKR05 - 2A □□□ 080C22 MDFKA□□ 080-22 120
110	322	1.4	10.720	298	9325	216	9325	204	227	2.06E-03	GKR05 - 2A □□□ 080C22 MDFKA□□ 080-22 120
124	286	1.3	12.081	312	9325	243	9325	208	218	2.02E-03	GKR05 - 2A □□□ 080C22 MDFKA□□ 080-22 120
135	261	1.2	13.216	321	9325	266	9325	214	204	2.01E-03	GKR05 - 2A □□□ 080C22 MDFKA□□ 080-22 120
141	252	1.2	13.719	325	9325	276	9325	217	185	2.01E-03	GKR05 - 2A □□□ 080C22 MDFKA□□ 080-22 120
154	230	1.1	15.008	335	9325	302	9325	223	174	2.00E-03	GKR05 - 2A □□□ 080C22 MDFKA□□ 080-22 120
173	205	1.1	16.857	360	9325	340	9325	240	178	1.98E-03	GKR05 - 2A □□□ 080C22 MDFKA□□ 080-22 120
34	566	5.1	6.022	74	9324	109	9325	241	566	1.20E-03	GKR06 - 2A □□□ 071C22 MDFKA□□ 071-22 120
65	300	4.9	11.376	141	9324	205	9325	436	300	1.05E-03	GKR06 - 2A □□□ 071C22 MDFKA□□ 071-22 120
72	274	4.6	12.444	154	9324	225	9325	450	274	1.02E-03	GKR06 - 2A □□□ 071C22 MDFKA□□ 071-22 120
80	249	3.9	13.720	169	9324	248	9325	426	247	1.00E-03	GKR06 - 2A □□□ 071C22 MDFKA□□ 071-22 120
92	215	3.6	15.873	196	9324	287	9325	450	215	9.62E-04	GKR06 - 2A □□□ 071C22 MDFKA□□ 071-22 120
102	195	3.3	17.500	216	9324	316	9325	450	195	9.53E-04	GKR06 - 2A □□□ 071C22 MDFKA□□ 071-22 120
114	175	2.9	19.444	240	9324	351	9325	450	175	9.29E-04	GKR06 - 2A □□□ 071C22 MDFKA□□ 071-22 120
126	159	2.7	21.438	265	9324	387	9325	450	159	9.23E-04	GKR06 - 2A □□□ 071C22 MDFKA□□ 071-22 120
149	135	2.6	25.309	313	9324	457	9325	450	135	8.93E-04	GKR06 - 2A □□□ 071C22 MDFKA□□ 071-22 120
165	122	2.3	27.903	345	9324	504	9325	450	122	8.89E-04	GKR06 - 2A □□□ 071C22 MDFKA□□ 071-22 120
186	108	2.1	31.481	389	9324	568	9325	450	108	8.76E-04	GKR06 - 2A □□□ 071C22 MDFKA□□ 071-22 120
206	98	1.9	34.708	429	9324	627	9325	450	98	8.73E-04	GKR06 - 2A □□□ 071C22 MDFKA□□ 071-22 120
242	84	1.8	40.741	503	9324	675	9325	450	84	8.58E-04	GKR06 - 2A □□□ 071C22 MDFKA□□ 071-22 120
267	76	1.6	44.917	555	9324	675	9325	450	76	8.57E-04	GKR06 - 2A □□□ 071C22 MDFKA□□ 071-22 120
295	69	1.5	49.444	611	9324	675	9325	450	69	8.51E-04	GKR06 - 2A □□□ 071C22 MDFKA□□ 071-22 120
325	63	1.3	54.513	673	9324	675	9325	450	63	8.50E-04	GKR06 - 2A □□□ 071C22 MDFKA□□ 071-22 120
37	476	5.0	3.431	97	9324	70	9324	200	476	2.88E-03	GKR06 - 2A □□□ 080C22 MDFKA□□ 080-22 60
52	347	4.5	4.706	132	9324	96	9324	250	347	2.48E-03	GKR06 - 2A □□□ 080C22 MDFKA□□ 080-22 60
67	271	4.0	6.022	169	9324	123	9324	280	271	2.29E-03	GKR06 - 2A □□□ 080C22 MDFKA□□ 080-22 60

Observe the notes for thermal dimensioning.

Selection tables - Bevel gearboxes

Forced ventilated asynchronous geared servo motors



M ₂ [Nm]	n ₂ trans [rpm]	c	i	M ₂ max short-time on geared motor at				M ₂ Gr gearbox c=1 n ₁ ≤ 1400 rpm [Nm]	n ₂ therm [rpm]	J _{GM} referred to motor shaft [kgm ²]	Bevel geared servo motor Dimensions on Page 5-28
				8 kHz		16 kHz					
				M ₂ max [Nm]	Type EVS	M ₂ max [Nm]	Type EVS				
71	252	4.6	6.481	182	9324	132	9324	350	252	2.43E-03	GKR06 - 2A □□□ 080C22 MDFKA□□ 080-22 60
79	229	4.2	7.146	201	9324	146	9324	348	229	2.37E-03	GKR06 - 2A □□□ 080C22 MDFKA□□ 080-22 60
98	184	3.9	8.889	250	9324	182	9324	408	184	2.24E-03	GKR06 - 2A □□□ 080C22 MDFKA□□ 080-22 60
109	167	3.3	9.800	276	9324	200	9324	384	167	2.21E-03	GKR06 - 2A □□□ 080C22 MDFKA□□ 080-22 60
127	144	3.3	11.376	320	9324	232	9324	436	144	2.14E-03	GKR06 - 2A □□□ 080C22 MDFKA□□ 080-22 60
139	131	3.1	12.444	350	9324	254	9324	450	131	2.11E-03	GKR06 - 2A □□□ 080C22 MDFKA□□ 080-22 60
154	119	2.6	13.720	386	9324	280	9324	426	119	2.09E-03	GKR06 - 2A □□□ 080C22 MDFKA□□ 080-22 60
178	103	2.4	15.873	446	9324	324	9324	450	103	2.05E-03	GKR06 - 2A □□□ 080C22 MDFKA□□ 080-22 60
197	93	2.2	17.500	492	9324	358	9324	450	93	2.04E-03	GKR06 - 2A □□□ 080C22 MDFKA□□ 080-22 60
219	84	2.0	19.444	547	9324	397	9324	450	84	2.02E-03	GKR06 - 2A □□□ 080C22 MDFKA□□ 080-22 60
242	76	1.8	21.438	603	9324	438	9324	450	76	2.01E-03	GKR06 - 2A □□□ 080C22 MDFKA□□ 080-22 60
287	65	1.6	25.309	675	9324	517	9324	450	65	1.98E-03	GKR06 - 2A □□□ 080C22 MDFKA□□ 080-22 60
317	59	1.4	27.903	675	9324	570	9324	450	59	1.98E-03	GKR06 - 2A □□□ 080C22 MDFKA□□ 080-22 60
358	52	1.3	31.481	675	9324	643	9324	450	52	1.97E-03	GKR06 - 2A □□□ 080C22 MDFKA□□ 080-22 60
395	47	1.1	34.708	675	9324	675	9324	450	47	1.96E-03	GKR06 - 2A □□□ 080C22 MDFKA□□ 080-22 60
34	1007	4.3	3.431	96	9325	69	9325	200	722	2.88E-03	GKR06 - 2A □□□ 080C22 MDFKA□□ 080-22 120
47	734	3.9	4.706	131	9325	95	9325	250	600	2.48E-03	GKR06 - 2A □□□ 080C22 MDFKA□□ 080-22 120
60	574	3.4	6.022	168	9325	121	9325	280	529	2.29E-03	GKR06 - 2A □□□ 080C22 MDFKA□□ 080-22 120
64	533	4.0	6.481	180	9325	131	9325	350	376	2.43E-03	GKR06 - 2A □□□ 080C22 MDFKA□□ 080-22 120
71	484	3.6	7.146	199	9325	144	9325	348	334	2.37E-03	GKR06 - 2A □□□ 080C22 MDFKA□□ 080-22 120
89	389	3.4	8.889	247	9325	179	9325	408	308	2.24E-03	GKR06 - 2A □□□ 080C22 MDFKA□□ 080-22 120
99	353	2.9	9.800	273	9325	197	9325	384	270	2.21E-03	GKR06 - 2A □□□ 080C22 MDFKA□□ 080-22 120
114	304	2.8	11.376	317	9325	229	9325	436	269	2.14E-03	GKR06 - 2A □□□ 080C22 MDFKA□□ 080-22 120
125	278	2.7	12.444	346	9325	251	9325	450	252	2.11E-03	GKR06 - 2A □□□ 080C22 MDFKA□□ 080-22 120
139	252	2.3	13.720	382	9325	276	9325	426	221	2.09E-03	GKR06 - 2A □□□ 080C22 MDFKA□□ 080-22 120
161	218	2.1	15.873	442	9325	320	9325	450	209	2.05E-03	GKR06 - 2A □□□ 080C22 MDFKA□□ 080-22 120
178	197	1.9	17.500	487	9325	353	9325	450	184	2.04E-03	GKR06 - 2A □□□ 080C22 MDFKA□□ 080-22 120
198	178	1.7	19.444	541	9325	392	9325	450	178	2.02E-03	GKR06 - 2A □□□ 080C22 MDFKA□□ 080-22 120
219	161	1.5	21.438	597	9325	432	9325	450	159	2.01E-03	GKR06 - 2A □□□ 080C22 MDFKA□□ 080-22 120
258	137	1.5	25.309	675	9325	510	9325	450	137	1.98E-03	GKR06 - 2A □□□ 080C22 MDFKA□□ 080-22 120
285	124	1.4	27.903	675	9325	562	9325	450	124	1.98E-03	GKR06 - 2A □□□ 080C22 MDFKA□□ 080-22 120
322	110	1.2	31.481	675	9325	634	9325	450	110	1.97E-03	GKR06 - 2A □□□ 080C22 MDFKA□□ 080-22 120
356	100	1.1	34.708	675	9325	675	9325	450	100	1.96E-03	GKR06 - 2A □□□ 080C22 MDFKA□□ 080-22 120
69	490	2.7	3.431	187	9325	137	9325	200	490	4.56E-03	GKR06 - 2A □□□ 090C22 MDFKA□□ 090-22 60

Observe the notes for thermal dimensioning.

Selection tables - Bevel gearboxes

Forced ventilated asynchronous geared servo motors

M ₂ [Nm]	n ₂ trans [rpm]	c	i	M ₂ max short-time on geared motor at				M ₂ Gr gearbox c=1 n ₁ ≤ 1400 rpm [Nm]	n ₂ therm [rpm]	J _{GM} referred to motor shaft [kgm ²]	Bevel geared servo motor Dimensions on Page 5-28
				8 kHz		16 kHz					
				M ₂ max [Nm]	Type EVS	M ₂ max [Nm]	Type EVS				
95	357	2.5	4.706	256	9325	188	9325	250	357	4.16E-03	GKR06 - 2A □□□ 090C22 MDFKA□□ 090-22 60
121	279	2.2	6.022	327	9325	240	9325	280	279	3.97E-03	GKR06 - 2A □□□ 090C22 MDFKA□□ 090-22 60
130	259	2.5	6.481	352	9325	259	9325	350	259	4.11E-03	GKR06 - 2A □□□ 090C22 MDFKA□□ 090-22 60
144	235	2.3	7.146	388	9325	285	9325	348	235	4.05E-03	GKR06 - 2A □□□ 090C22 MDFKA□□ 090-22 60
179	189	2.2	8.889	483	9325	355	9325	408	189	3.92E-03	GKR06 - 2A □□□ 090C22 MDFKA□□ 090-22 60
198	171	1.8	9.800	533	9325	391	9325	384	171	3.89E-03	GKR06 - 2A □□□ 090C22 MDFKA□□ 090-22 60
230	148	1.8	11.376	618	9325	454	9325	436	148	3.82E-03	GKR06 - 2A □□□ 090C22 MDFKA□□ 090-22 60
252	135	1.7	12.444	675	9325	497	9325	450	135	3.79E-03	GKR06 - 2A □□□ 090C22 MDFKA□□ 090-22 60
279	122	1.5	13.720	639	9325	548	9325	426	122	3.77E-03	GKR06 - 2A □□□ 090C22 MDFKA□□ 090-22 60
323	106	1.3	15.873	675	9325	633	9325	450	106	3.73E-03	GKR06 - 2A □□□ 090C22 MDFKA□□ 090-22 60
357	96	1.2	17.500	675	9325	675	9325	450	96	3.72E-03	GKR06 - 2A □□□ 090C22 MDFKA□□ 090-22 60
397	86	1.1	19.444	675	9325	675	9325	450	86	3.70E-03	GKR06 - 2A □□□ 090C22 MDFKA□□ 090-22 60
61	1014	2.4	3.431	165	9326	145	9327	200	638	4.56E-03	GKR06 - 2A □□□ 090C22 MDFKA□□ 090-22 120
84	740	2.2	4.706	227	9326	199	9327	250	531	4.16E-03	GKR06 - 2A □□□ 090C22 MDFKA□□ 090-22 120
108	578	1.9	6.022	290	9326	255	9327	280	467	3.97E-03	GKR06 - 2A □□□ 090C22 MDFKA□□ 090-22 120
115	537	2.3	6.481	312	9326	275	9327	350	332	4.11E-03	GKR06 - 2A □□□ 090C22 MDFKA□□ 090-22 120
128	487	2.0	7.146	344	9326	303	9327	348	294	4.05E-03	GKR06 - 2A □□□ 090C22 MDFKA□□ 090-22 120
159	392	1.9	8.889	428	9326	377	9327	408	270	3.92E-03	GKR06 - 2A □□□ 090C22 MDFKA□□ 090-22 120
176	355	1.6	9.800	472	9326	415	9327	384	223	3.89E-03	GKR06 - 2A □□□ 090C22 MDFKA□□ 090-22 120
204	306	1.6	11.376	548	9326	482	9327	436	220	3.82E-03	GKR06 - 2A □□□ 090C22 MDFKA□□ 090-22 120
223	280	1.5	12.444	599	9326	527	9327	450	204	3.79E-03	GKR06 - 2A □□□ 090C22 MDFKA□□ 090-22 120
247	254	1.3	13.720	639	9326	581	9327	426	171	3.77E-03	GKR06 - 2A □□□ 090C22 MDFKA□□ 090-22 120
286	219	1.2	15.873	675	9326	673	9327	450	163	3.73E-03	GKR06 - 2A □□□ 090C22 MDFKA□□ 090-22 120
316	199	1.1	17.500	675	9326	675	9327	450	142	3.72E-03	GKR06 - 2A □□□ 090C22 MDFKA□□ 090-22 120

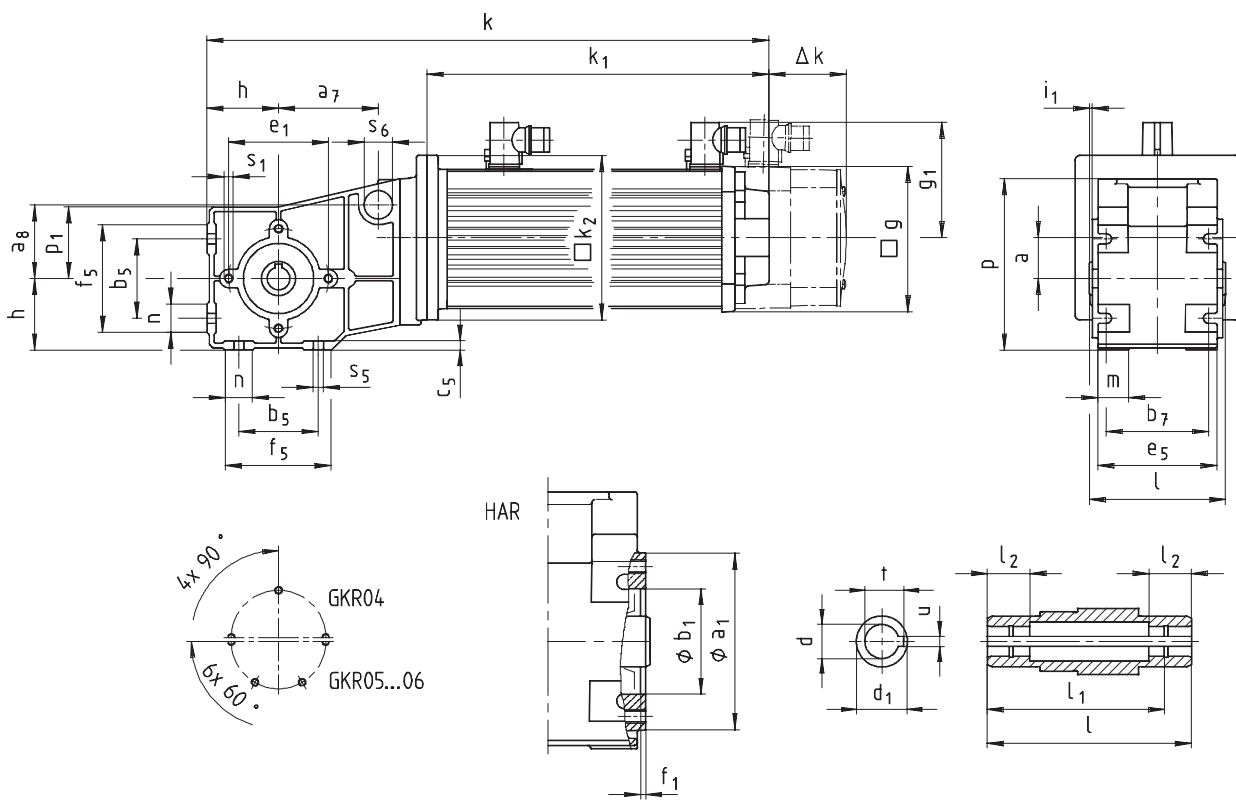
Observe the notes for thermal dimensioning.



Dimensions - Bevel gearboxes

Geared servo motors with resolver

GKR□□ - 2^A_S H□R



Dimensions - Bevel gearboxes

Geared servo motors with resolver



Geared servo motor		S (synchronous servo motors)					A (asynchronous servo motors)								
GKR□□ - 2 ^A S H□R		056		071			056	071	080	090					
		C23	C33	C03	C13	C33	C22	C22	C22	C22					
Motor	g	102	102	131	131	131	102	131	142	165					
	g ₁	90	90	102	102	102	90	102	109	118					
	k ₂	145	145	145	145	145	145	145	180	180					
	k ₁ naturally ventilated	207	242	215	250	285	258	267	307	346					
	Δk** naturally ventilated+brake	27	27	35	35	35	25	35	33	35					
	forced ventilated	-	-	68	68	68	-	68	62	89					
	forced ventilated+brake	-	-	103	103	103	-	103	95	124					
Gearbox size	Gearbox Overall length						k								
	l*	p*	p ₁	a	h	o									
04	120	151	63	36	63	189	407	442	416	451	486	459	467		
05	143	181	82	40	80	251	461	496	469	504	539	512	521	571	
06	170	226	100	51	100	307	512	547	521	556	591	564	572	622	661

Gearbox size	Hollow shaft							Pitch circle					
	d ²⁾ H7	l	d ₁	l ₁	l ₂	u JS9	t ¹⁾ +0.1	a ₁	b ₁ J7	e ₁	f ₁	i ₁	s ₁
04	20 25	120	30 35	105	25	6 8	22.8 27.0	104	62	88	3	2.5	M8x16
05	30 35	143	50	127	25	8 10	33.3 38.3	116	80	100	4	4	M8x15
06	40 45	170	65	150	30	12 14	43.3 48.8	140	100	120	4	5	M10x22

Gearbox size	Foot									Torque plate		
	b ₅	b ₇	c ₅	e ₅	f ₅	n	m	s ₅	a ₇	a ₈	s ₆	
04	70	90	8	105	95	25	28	9	88	65	25x17	
05	100	100	11	115	138	48	27	9	-	-	-	
06	120	125	12	145	164	53	32	11	-	-	-	

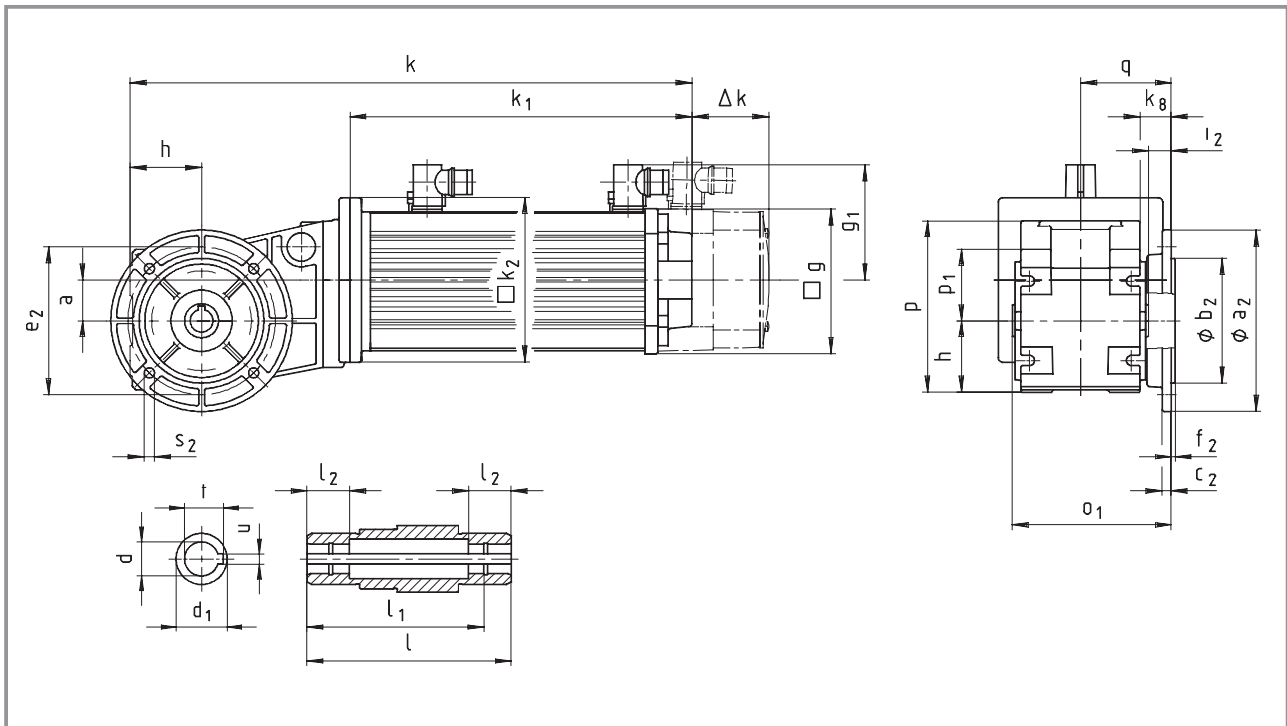
Dimensions in [mm] * Observe dimension k₂ ** See page 8-34 for more built-on accessories for motors

¹⁾ With hollow shaft d = 25 mm, use flat keyway to DIN 6885/3.

²⁾ Only in the l₂ range

Dimensions - Bevel gearboxes

Geared servo motors with resolver



Geared servo motor		S (synchronous servo motors)					A (asynchronous servo motors)										
GKR□□ - 2 ^A _S HAK		056		071			056	071	080	090							
		C23	C33	C03	C13	C33	C22	C22	C22	C22							
Motor	g	102	102	131	131	131	102	131	142	165							
	g ₁	90	90	102	102	102	90	102	109	118							
	k ₂	145	145	145	145	145	145	145	180	180							
	k ₁ naturally ventilated	207	242	215	250	285	258	267	307	346							
	Δk** naturally ventilated+brake	27	27	35	35	35	25	35	33	35							
	forced ventilated	-	-	68	68	68	-	68	62	89							
	forced ventilated+brake	-	-	103	103	103	-	103	95	124							
Gearbox size	Gearbox								Overall length								
	o ₁ *	p*	p ₁	a	h	k ₈	o	q	k								
04	140	151	63	36	63	28	189	80	407	442	416	451	486	459	467		
05	177	181	82	40	80	47	251	105	461	496	469	504	539	512	521	571	
06	212	226	100	51	100	54	307	126.5	512	547	521	556	591	564	572	622	661

Gearbox size	Hollow shaft				Output flange										
	d ²⁾ H7	l	d ₁	l ₁	l ₂	u JS9	t ¹⁾ +0.1	a ₂	b ₂ j7	c ₂	e ₂	f ₂	i ₂	s ₂ 4 x 90°	
04	20	120	30	105	25	6	22.8	120	80	8	100	3	20	7	
	25		35			8	27.0	160	110			3.5		9	
05	30	143	50	127.5	25	8	33.3	160	110	12	130	3.5	33.5	9	
	35					10	38.3	200	130			4		11	
06	40	107	65	150	30	12	43.3	200	130	12	165	3.5	41.5	11	
	45					14	48.8	250	180			4		14	

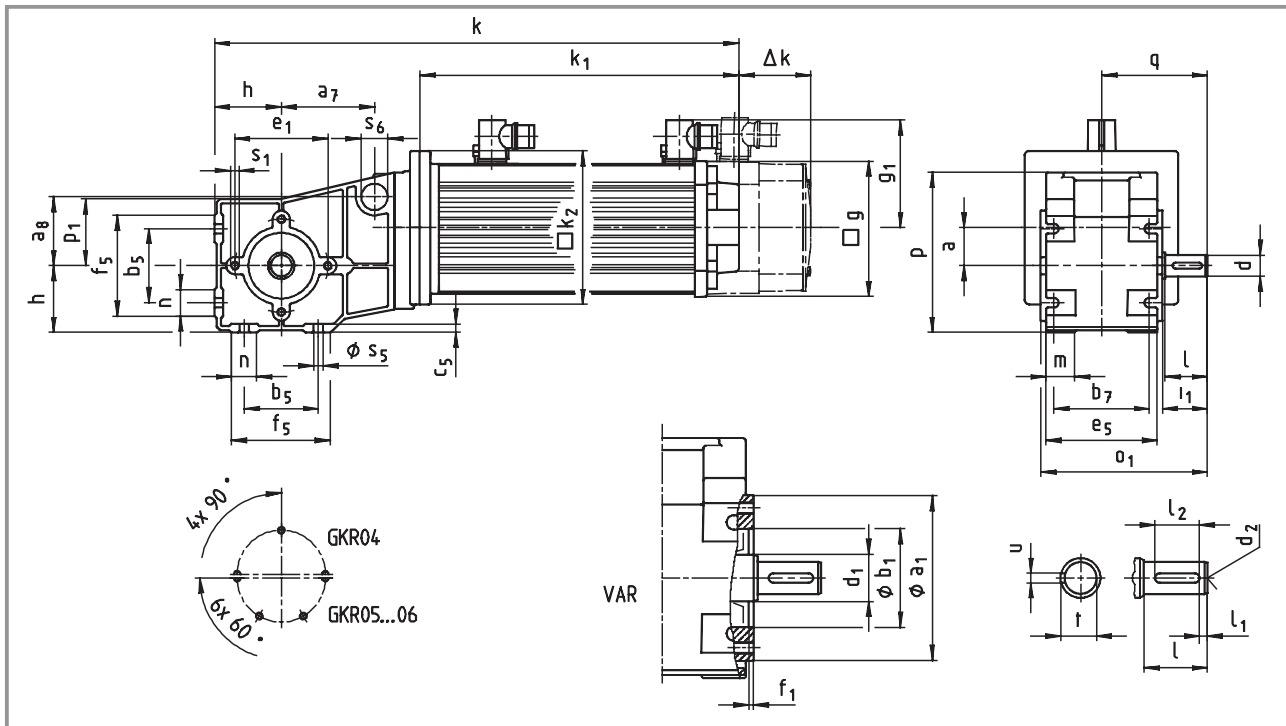
Dimensions in [mm] * Observe dimension k₂ ** See page 8-34 for more built-on accessories for motors

1) With hollow shaft d = 25 mm, use flat keyway to DIN 6885/3.

2) Only in the l₂ range

Dimensions - Bevel gearboxes

Geared servo motors with resolver



Geared servo motor		S (synchronous servo motors)					A (asynchronous servo motors)									
GKR□□ - 2 ^A _S V□□		056		071			056	071	080	090						
		C23	C33	C03	C13	C33	C22	C22	C22	C22						
Motor	g	102	102	131	131	131	102	131	142	165						
	g ₁	90	90	102	102	102	90	102	109	118						
	k ₂	145	145	145	145	145	145	145	180	180						
	k ₁ naturally ventilated	207	242	215	250	285	258	267	307	346						
	Δk** naturally ventilated+brake	27	27	35	35	35	25	35	33	35						
	forced ventilated	-	-	68	68	68	-	68	62	89						
	forced ventilated+brake	-	-	103	103	103	-	103	95	124						
Gearbox size	Gearbox Overall length							k								
	o ₁ *	p*	p ₁	a	h	o	q									
04	158	151	63	36	63	189	100	407	442	416	451	486	459	467		
05	199	181	82	40	80	251	131.5	461	496	469	504	539	512	521	571	
06	235	226	100	51	100	307	155	512	547	521	556	591	564	572	622	661

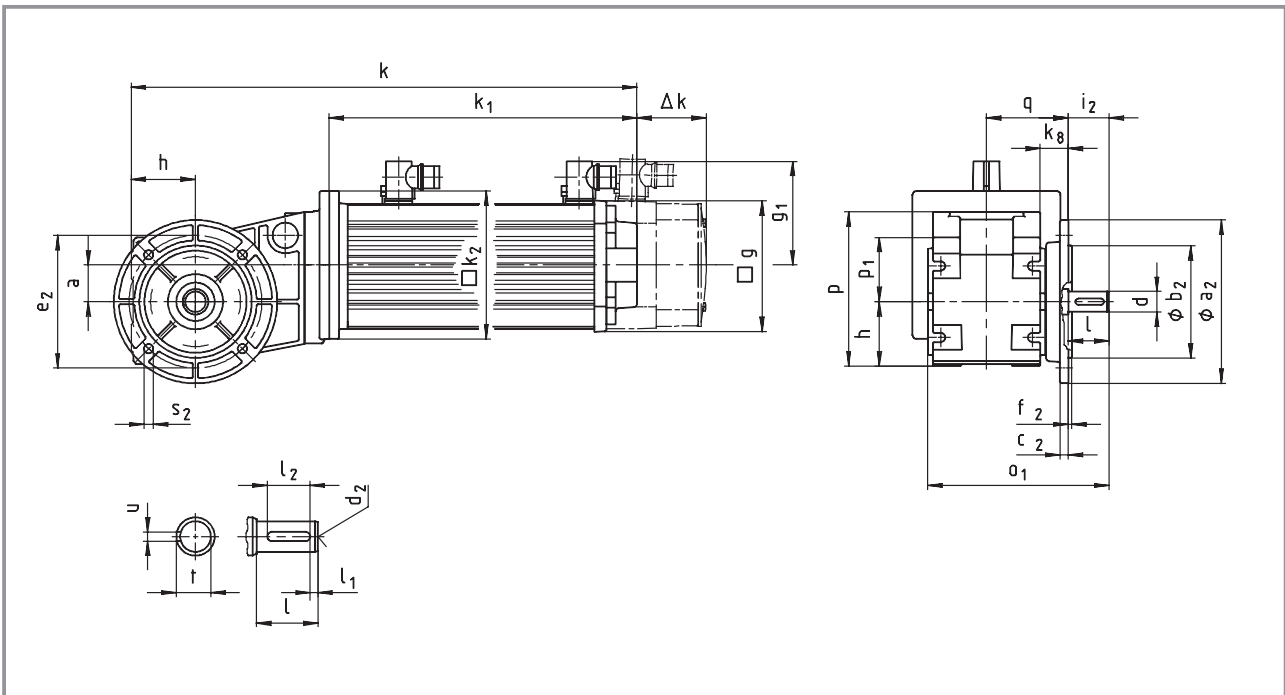
Gearbox size	Solid shaft									Pitch circle					
	d k6	l	d ₁	l ₁	l ₂	d ₂	u	t	a ₁	b ₁ J7	e ₁	f ₁	i ₁	s ₁	
04	20	40	30	5	28	M6	6	22.5	104	62	88	3	42.5	M8x16	
05	30	60	50	6	45	M10	8	33	116	80	100	4	64	M8x15	
06	35	70	65	7	56	M12	10	38	140	100	120	4	75	M10x22	

Gearbox size	Foot									Torque plate		
	b ₅	b ₇	c ₅	e ₅	f ₅	n	m	s ₅	a ₇	a ₈	s ₆	
04	70	90	8	105	95	25	28	9	88	65	25x17	
05	100	100	11	115	138	48	27	9		-		
06	120	125	12	145	164	53	32	11		-		

Dimensions in [mm] * Observe dimension k₂ ** See page 8-34 for more built-on accessories for motors

Dimensions - Bevel gearboxes

Geared servo motors with resolver



Geared servo motor GKR□□ - 2^A_S VAK		S (synchronous servo motors)					A (asynchronous servo motors)										
		056		071			056	071	080	090							
		C23	C33	C03	C13	C33	C22	C22	C22	C22							
Motor	g	102	102	131	131	131	102	131	142	165							
	g ₁	90	90	102	102	102	90	102	109	118							
	k ₂	145	145	145	145	145	145	145	180	180							
	k ₁	naturally ventilated	207	242	215	250	285	258	267	307	346						
	Δk**	naturally ventilated+brake	27	27	35	35	35	25	35	33	35						
	forced ventilated	-	-	68	68	68	-	68	62	89							
	forced ventilated+brake	-	-	103	103	103	-	103	95	124							
Gearbox size	Gearbox Overall length								k								
	o ₁	p*	p ₁	a	h	o	q	k ₈									
04	178	151	63	36	63	189	80.5	28	407	442	416	451	486	459	467		
05	233	181	82	40	80	251	105	47	461	496	469	504	539	512	521	571	
06	277	226	100	51	100	307	126.5	54	512	547	521	556	591	564	572	622	661

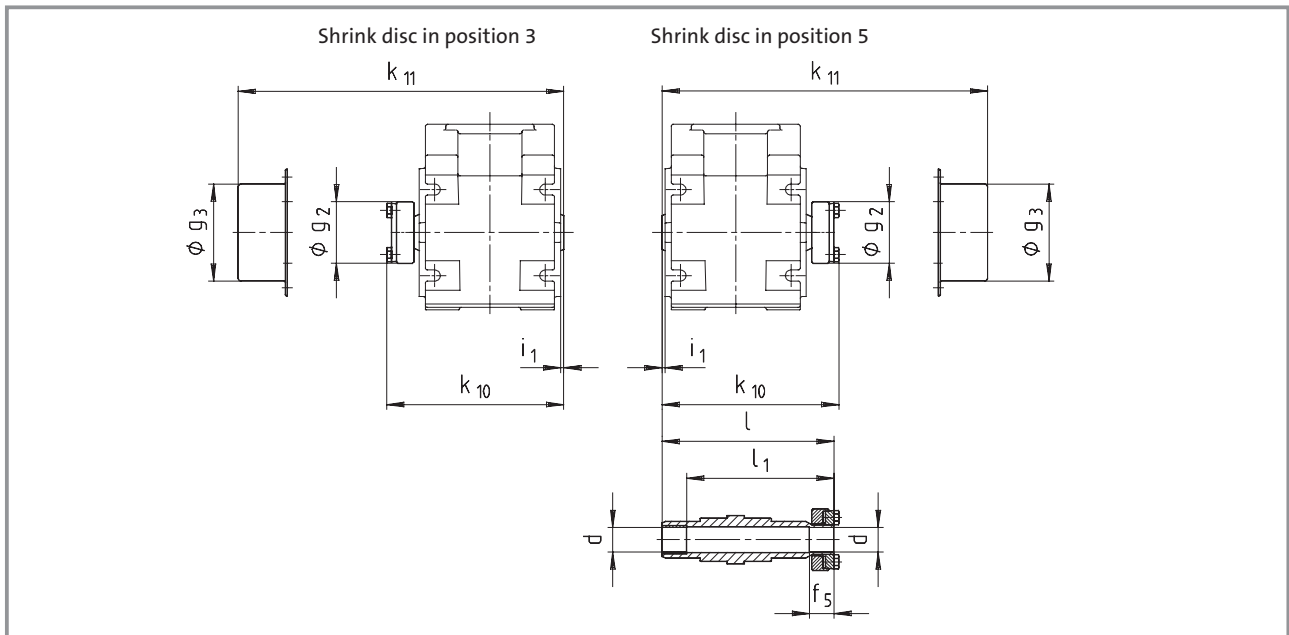
Gearbox size	Hollow shaft							Output flange							
	d k6	l	l ₁	l ₂	d ₂	u	t	a ₂	b ₂ j7	c ₂	e ₂	f ₂	i ₂	s ₂ 4 x 90°	
04	20	40	5	28	M6	6	22.5	120 160	80 110	8	100 130	3 3.5	40	7 9	
05	30	60	6	45	M10	8	33	160 200	110 130	12	130 165	3.5	60	9 11	
06	35	70	7	56	M12	10	38	200 250	130 180	12	165 215	3.5 4	70	11 14	

Dimensions in [mm] * Observe dimension k₂

** See page 8-34 for more built-on accessories for motors



Hollow shaft with shrink disc



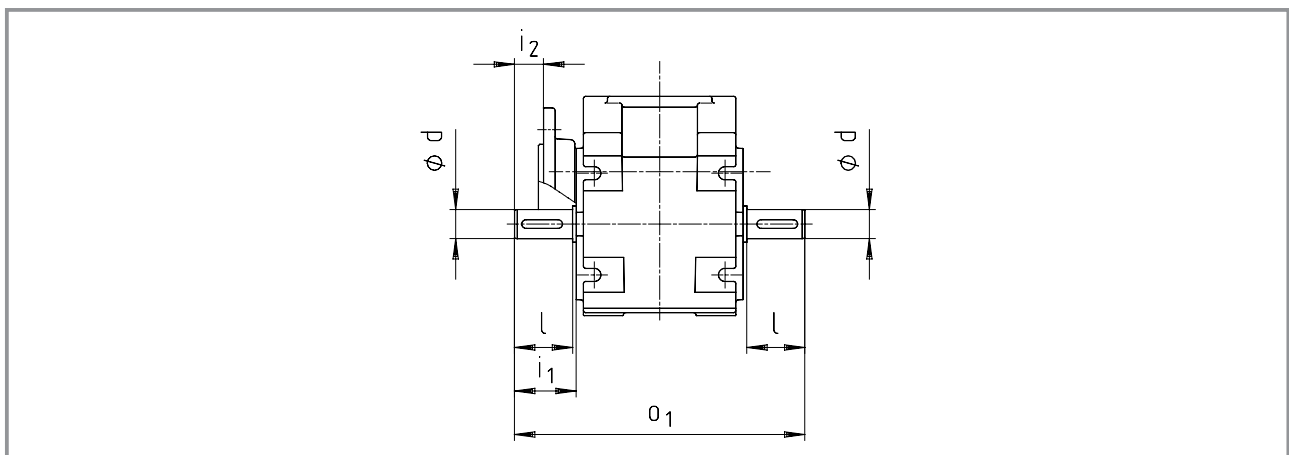
Gearbox size	Machine shaft *		Hollow shaft with shrink disc						Cover	
	d	Fit	i_1	g_2	k_{10}	l	l_1	f_5	g_3	k_{11}
03	20	h6	2.5	50	124	120	100	20	65	137.5
04	20	h6	2.5	50	144	140	120	20	79	157.5
05	30 / 35	h6	4	80	176.5	171	151	28	90	182
06	40	h6	5	90	209.5	204	174	30	100	214

*Ensure that the strength of the shaft material is adequate in shrink disc designs. When using typical steels (e.g. C45, 42CrMo4), the torques listed in the selection tables can be used without restriction.

When using material that is considerably weaker, please consult with us. Medium surface roughness R_z must not exceed $15 \mu\text{m}$ (turning operation is sufficient).

Dimensions in [mm]

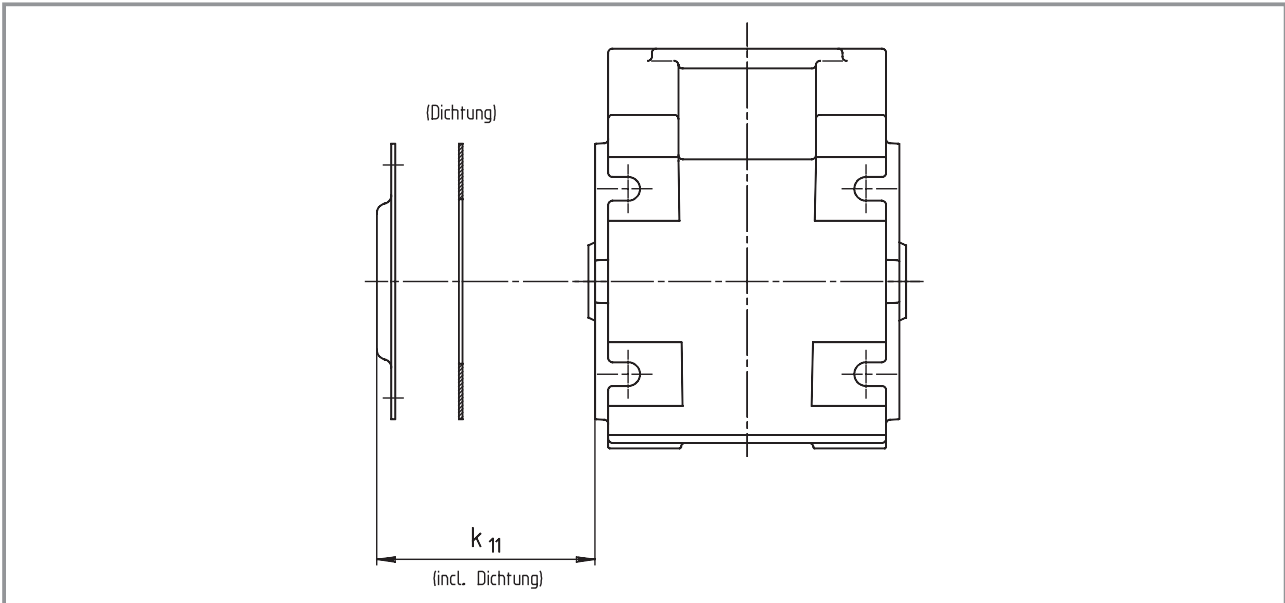
Gearbox with 2nd output shaft end



Gearbox size	d	l	i_1	i_2	o_1
04	20	40	42.5	19.5	200
05	30	60	64	27	263
06	35	70	75	28.5	310

Dimensions in [mm]

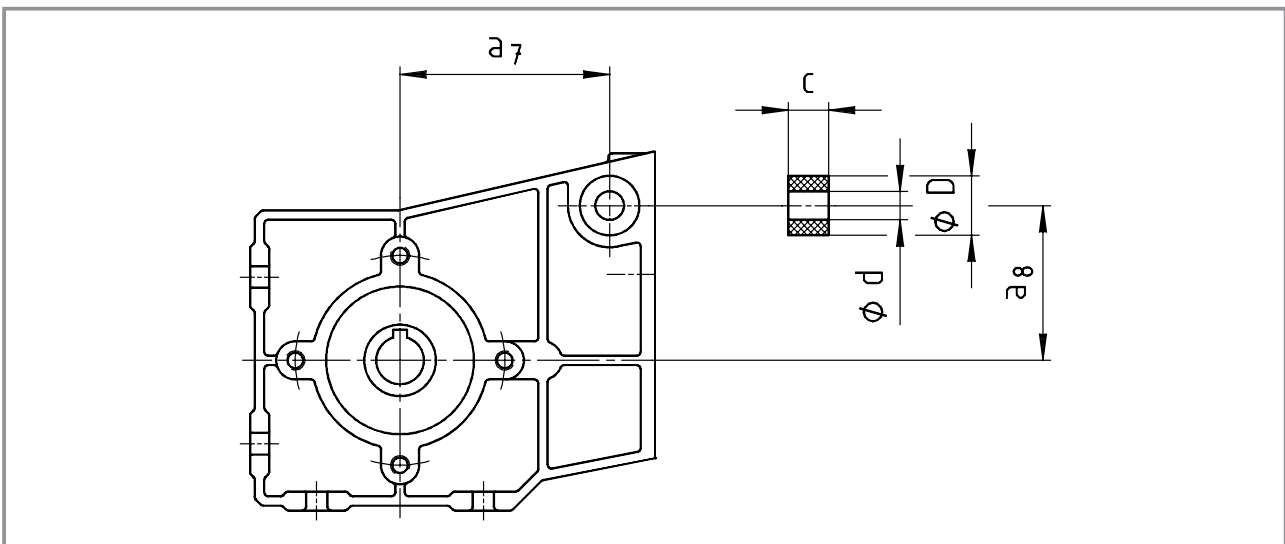
Hoseproof hollow shaft cover



Gearbox size	Cover k_{11}
04	9
05	10
06	11

5

Rubber buffer for torque plate

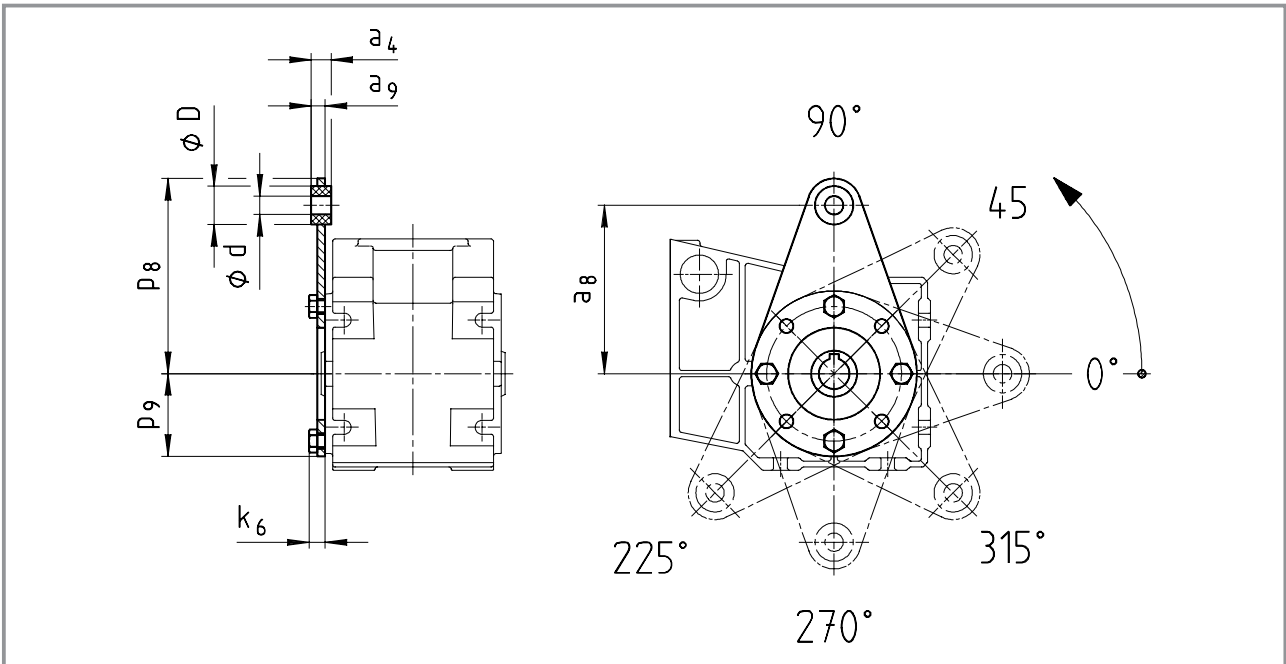


Gearbox size	d	D	c	a_7	a_8
04	10	25	13	88	65

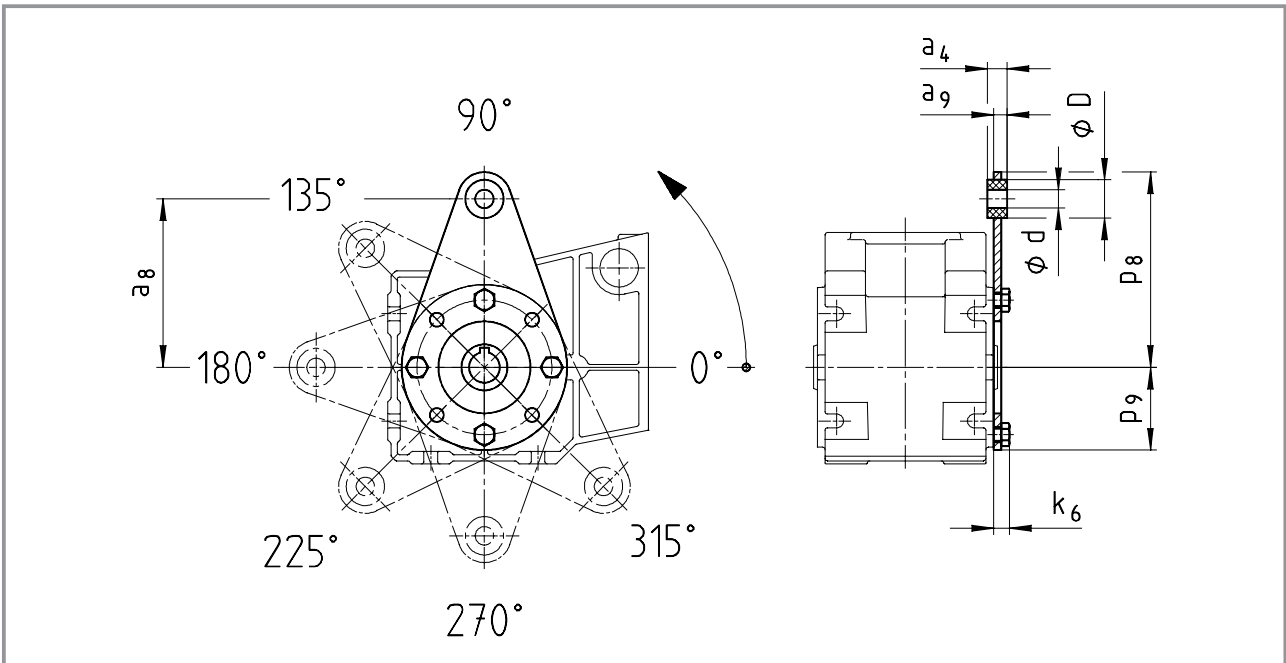
Dimensions in [mm]



GKR 04 Torque plate at pitch circle in position 3



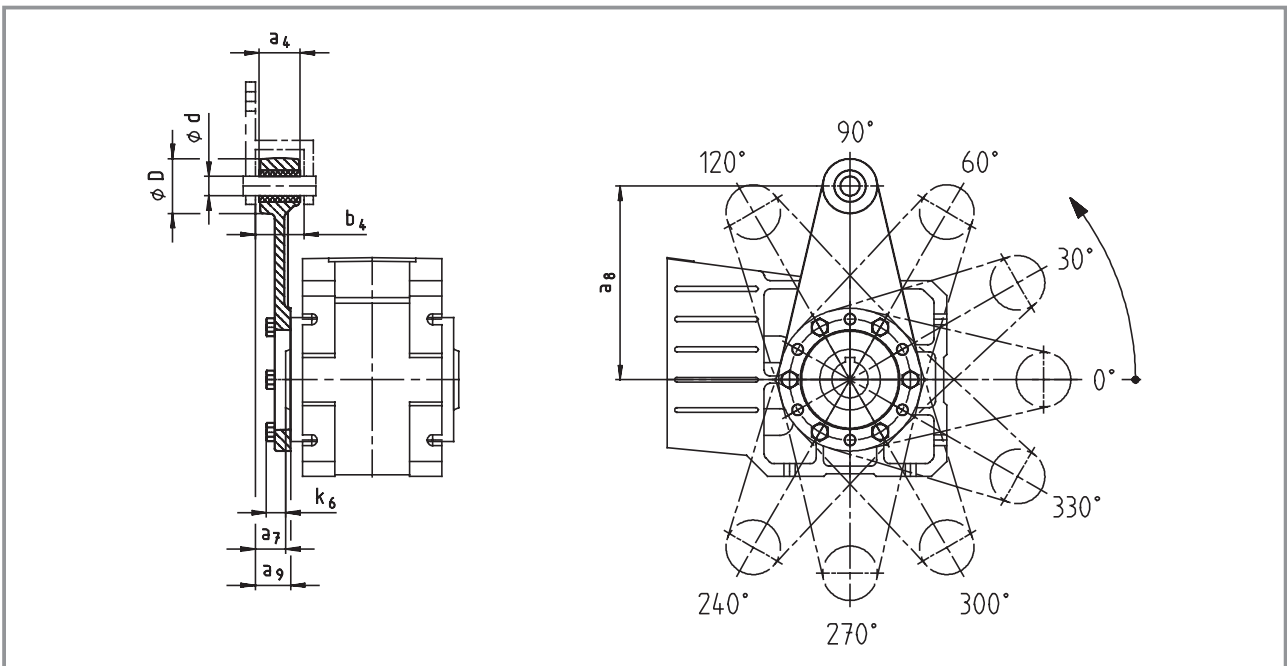
GKR 04 Torque plate at pitch circle in position 5



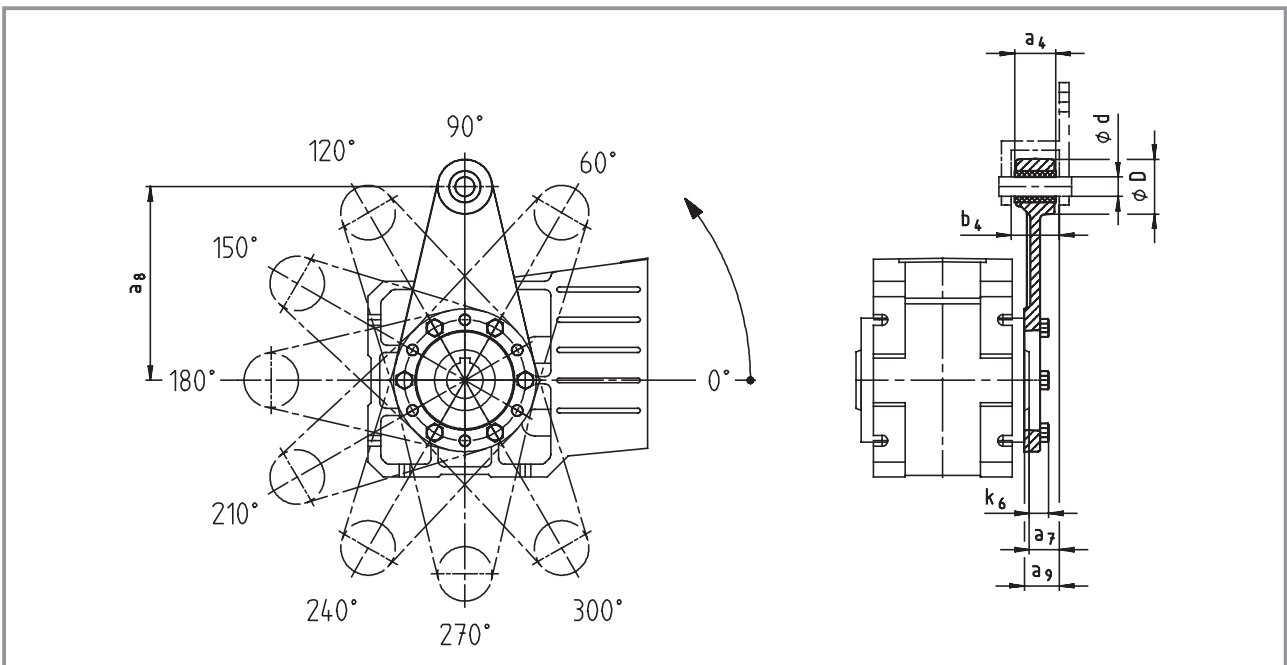
Gearbox size	Torque plate							
	a ₄	a ₈	a ₉	d	D	k ₆	P ₈	P ₉
04	13	110	9	10	25	11	128	52

Dimensions in [mm]

GKR 05/06 Torque plate at pitch circle in position 3



GKR 05/06 Torque plate at pitch circle in position 5

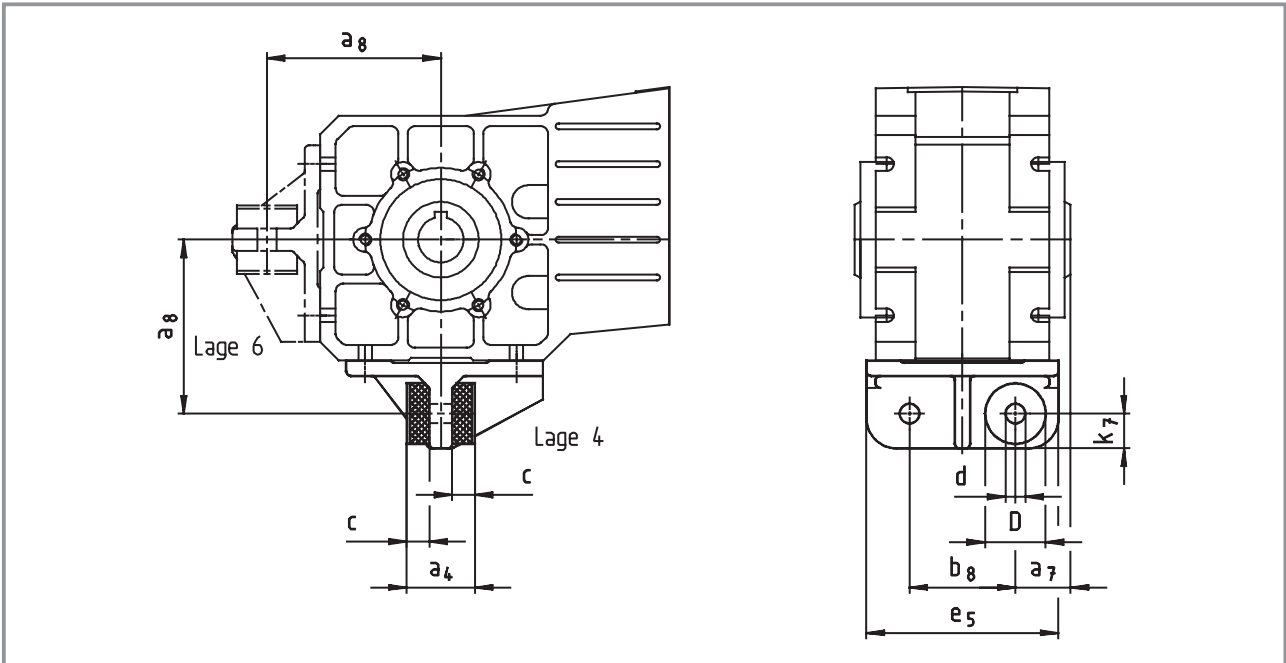


Gearbox size	Assembly space		Torque plate						
	a ₇	b ₄	a ₄	a ₈	a ₉	d	D	k ₆	
05	23.5	38.5	34	160	27.5	16	45	16	
06	28	44.5	40	200	33	20	50	18	

Dimensions in [mm]



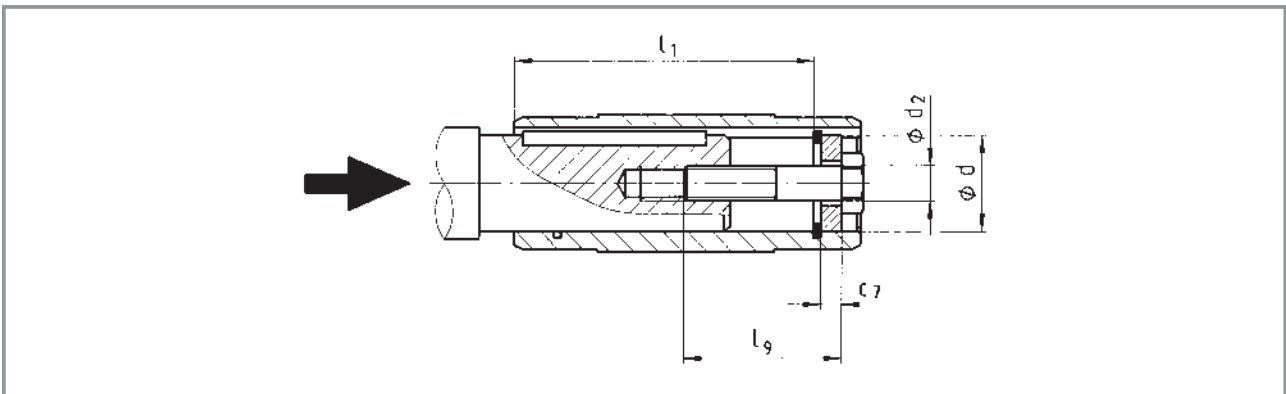
Torque plate on housing foot



Gearbox size	a ₄	a ₇	a ₈	b ₈	c	d	D	e ₅	k ₇
05	45	36.5	115	70	15	13	40	127	23
06	72	45	145	80	27	17	50	145	28

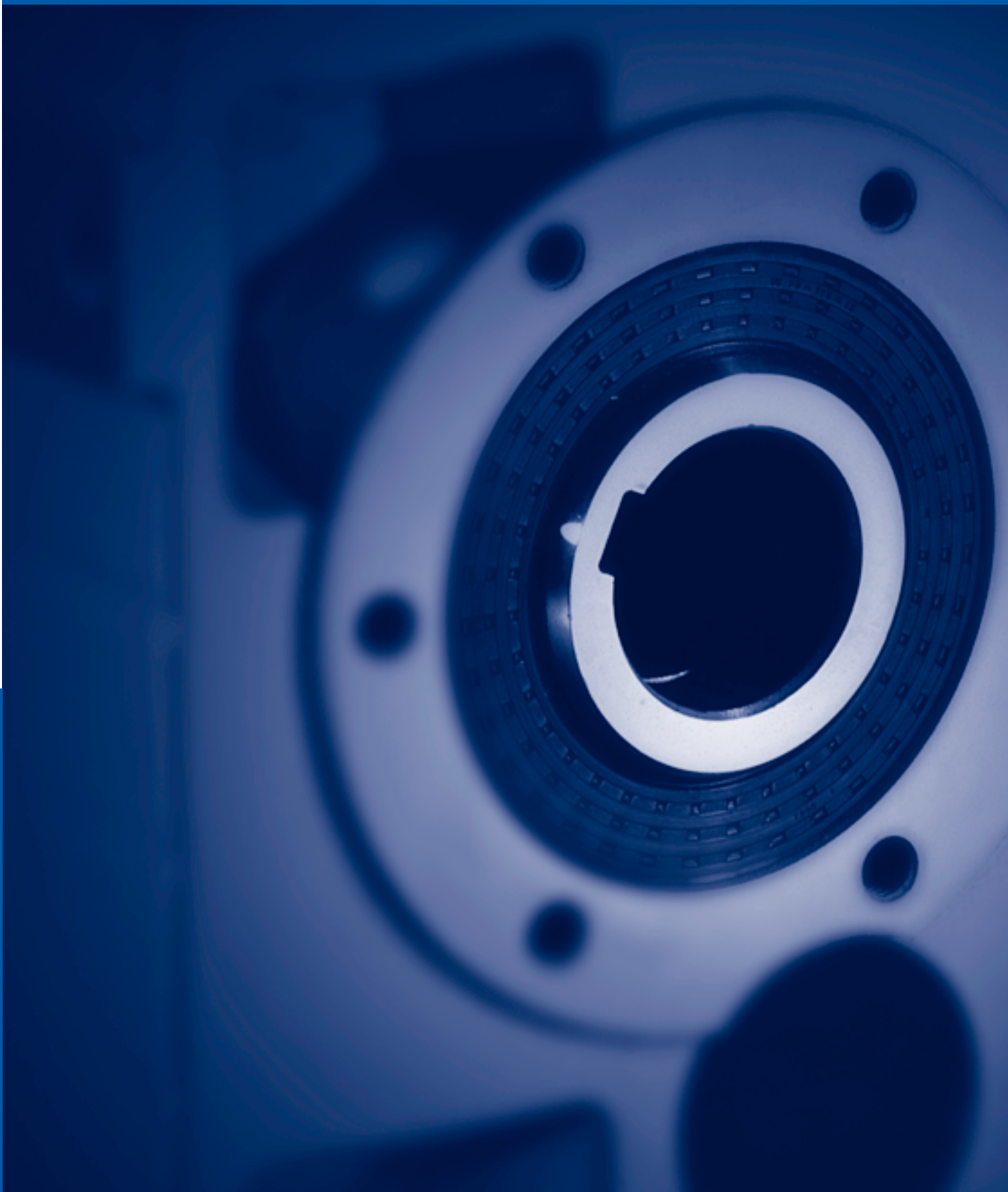
Dimensions in [mm]

Mounting set for hollow shaft circlip - Proposed design for auxiliary tools



Gearbox size	Hollow shaft (design H)			Mounting set for hollow shaft circlip (mounting auxiliary tool)		
	l	l ₁	d H7	d ₂	l ₉	c ₇
04	120	106	20	M6	40	4
			25	M10		5
05	143	128	30	M10	50	6
			35	M12		7
06	170	152	40	M16	60	8
			45			

Dimensions in [mm]



Technical data

Permissible radial and axial forces -	
Output _____	6-2
Output backlash _____	6-4
Ratios _____	6-5
Ventilation _____	6-18
Position of ventilation, sealing	
elements and oil control _____	6-18
Reservoir for mounting position C _____	6-19
Weights _____	6-20

Selection tables

Synchronous geared servo motors _____	6-21
Naturally ventilated _____	6-21
Forced ventilated _____	6-32
Asynchronous geared servo motors _____	6-37
Naturally ventilated _____	6-37
Forced ventilated _____	6-65

Dimensions

Geared servo motors with resolver _____	6-88
3-stage _____	6-88
4-stage _____	6-96
Further dimensions _____	6-102
Hollow shaft with shrink disc _____	6-102
Gearbox with 2nd output shaft end _____	6-103
Hoseproof hollow shaft cover _____	6-104
Torque plate at pitch circle _____	6-105
Torque plate at housing foot _____	6-106
Mounting set for hollow shaft	
circlip _____	6-107
Proposed design for auxiliary tools _____	6-107

Helical-bevel gearboxes GKS□□

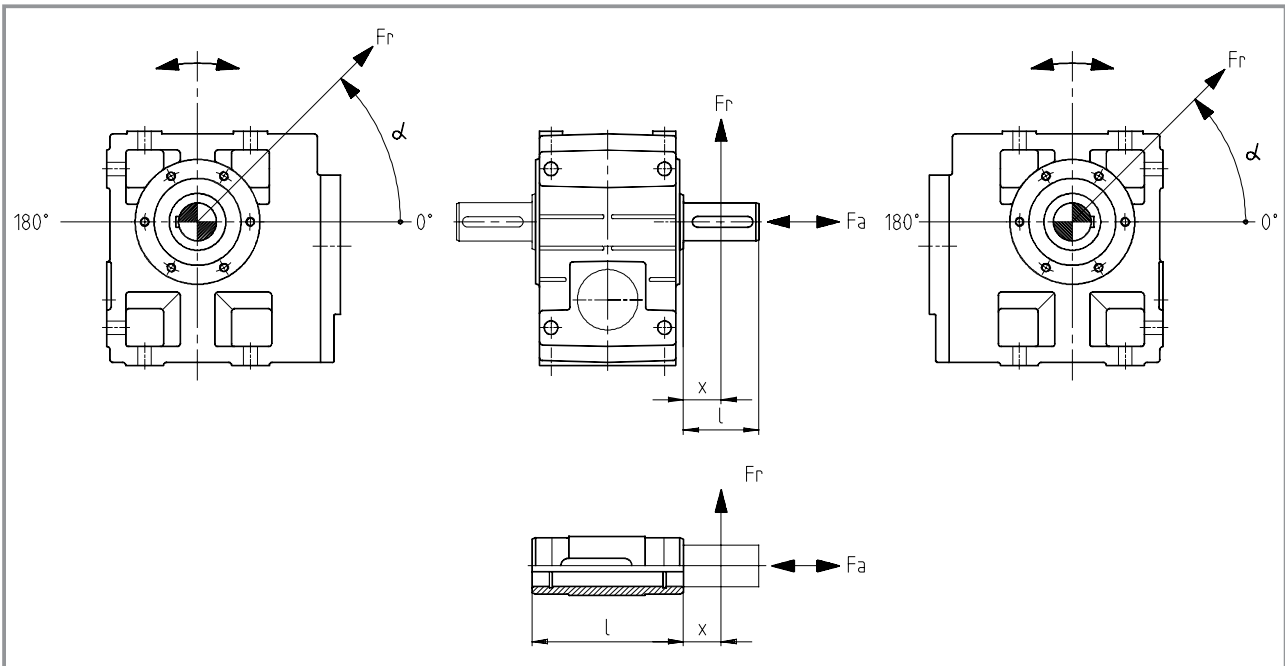
Permissible radial force

$$F_{rperm} = \min(f_w \cdot f_\alpha \cdot F_{rTab}; f_w \cdot F_{rmax})$$

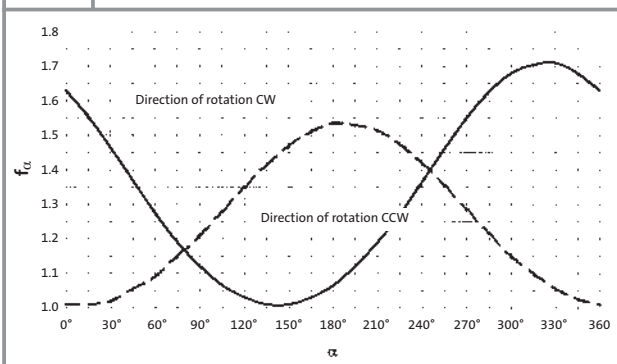
Permissible axial force

$$F_{aperm} = F_{aTab} \quad \text{at } F_r = 0$$

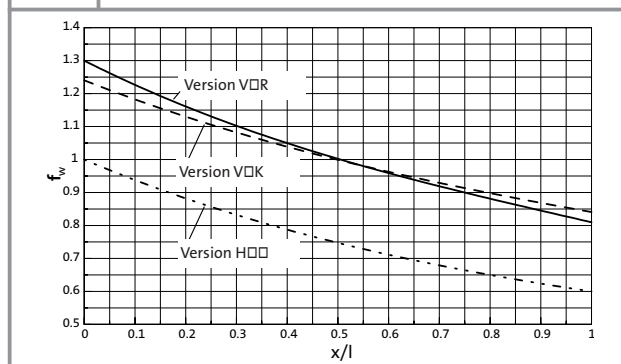
Contact Lenze if F_r and $F_a \neq 0$



f_α Effective direction factor at output shaft



f_w Additional load factor at output shaft



Technical data - Helical bevel gearboxes

Permissible radial and axial forces - Output

Helical-bevel gearboxes GKS□□

VAK	Solid shaft with flange													
	Application of force F_r : Centre of shaft journal ($x = l/2$) F_{aTab} only valid for $F_r = 0$													
n_2 [rpm]	GKS 04		GKS 05		GKS 06		GKS 07		GKS 09		GKS 11		GKS 14	
	F_{rTab} [N]	F_{aTab} [N]	F_{rTab} [N]	F_{aTab} [N]	F_{rTab} [N]	F_{aTab} [N]	F_{rTab} [N]	F_{aTab} [N]	F_{rTab} [N]	F_{aTab} [N]	F_{rTab} [N]	F_{aTab} [N]	F_{rTab} [N]	F_{aTab} [N]
400	3800	4200	4640	3630	6400	4660	7000	5700	9900	6000	14500	7000	20500	8400
250	4300	4400	5420	4440	7500	5880	8250	7000	10500	6600	16000	7500	23700	10000
160	4600	4400	6280	5420	8800	7320	9630	8500	12000	7600	17600	8500	27200	11500
100	4600	4400	7000	6600	9800	9230	11000	10400	14000	10000	21000	10500	31300	13000
63	4600	4400	7000	6600	10000	10000	13000	11500	15000	12000	24500	13000	35000	15000
40	4600	4400	7000	6600	10000	10000	14000	11500	15000	15000	28000	17500	41000	19000
25	4600	4400	7000	6600	10000	10000	14000	11500	15000	17000	30000	27000	43000	28000
≤ 16	4600	4400	7000	6600	10000	10000	14000	11500	15000	17000	30000	27000	43000	35000
$F_{r max}$	4600	–	7000	–	10000	–	14000	–	15000	–	30000	–	43000	–

VOR	Solid shaft without flange													
	Application of force F_r : Centre of shaft journal ($x = l/2$) F_{aTab} only valid for $F_r = 0$													
n_2 [rpm]	GKS 04		GKS 05		GKS 06		GKS 07		GKS 09*		GKS 11*		GKS 14	
	F_{rTab} [N]	F_{aTab} [N]	F_{rTab} [N]	F_{aTab} [N]	F_{rTab} [N]	F_{aTab} [N]	F_{rTab} [N]	F_{aTab} [N]	F_{rTab} [N]	F_{aTab} [N]	F_{rTab} [N]	F_{aTab} [N]	F_{rTab} [N]	F_{aTab} [N]
400	3000	4200	2800	3500	3700	4440	4000	4900	6200	6500	7100	7000	57900	35000
250	3400	5000	3200	4240	4300	5580	4900	6230	6400	7400	7500	8000	61000	35000
160	3600	5500	3600	5090	4900	6930	5800	7820	7100	8000	8200	9200	64100	35000
100	3600	5500	4100	6160	5300	8710	6600	9940	8400	10500	10000	12000	65000	35000
63	3600	5500	4900	6600	6200	10000	8000	12600	9500	13000	11200	14500	65000	35000
40	3600	5500	5800	6600	7900	10000	9600	14000	11800	17000	13000	18500	65000	35000
25	3600	5500	5800	6600	9000	10000	12000	14000	16000	21000	19000	27000	65000	35000
≤ 16	3600	5500	5800	6600	9000	10000	12000	14000	18000	21000	23000	27000	65000	35000
$F_{r max}$	3600	–	5800	–	9000	–	12000	–	18000	–	23000	–	65000	–

H□□	Hollow shaft													
	Application of force F_r : At hollow shaft end face ($x = 0$) F_{aTab} only valid for $F_r = 0$													
n_2 [rpm]	GKS 04		GKS 05		GKS 06		GKS 07		GKS 09		GKS 11		GKS 14	
	F_{rTab} [N]	F_{aTab} [N]	F_{rTab} [N]	F_{aTab} [N]	F_{rTab} [N]	F_{aTab} [N]	F_{rTab} [N]	F_{aTab} [N]	F_{rTab} [N]	F_{aTab} [N]	F_{rTab} [N]	F_{aTab} [N]	F_{rTab} [N]	F_{aTab} [N]
400	3900	4200	3500	3500	4600	4440	5400	4900	7500	6500	9000	7000	15000	6000
250	4500	5000	4200	4240	5600	5580	6300	6230	8200	7400	10000	8000	15500	8000
160	5100	5500	4630	5090	6400	6930	7400	7820	9400	8000	11000	9200	16500	10000
100	5900	5500	5000	6160	7000	8710	8700	9940	10600	10500	14000	12000	17500	13000
63	6800	5500	6200	6600	8200	10000	10500	12600	12200	13000	16000	14500	18500	16000
40	7000	5500	7300	6600	10400	10000	12500	14000	15500	17000	18500	18500	21000	20000
25	7000	5500	7300	6600	12000	10000	15100	14000	21000	21000	25000	27000	28000	28000
≤ 16	7000	5500	7300	6600	12000	10000	16000	14000	24000	21000	30000	27000	40000	35000
$F_{r max}$	7000	–	7300	–	12000	–	16000	–	24000	–	30000	–	45000	–

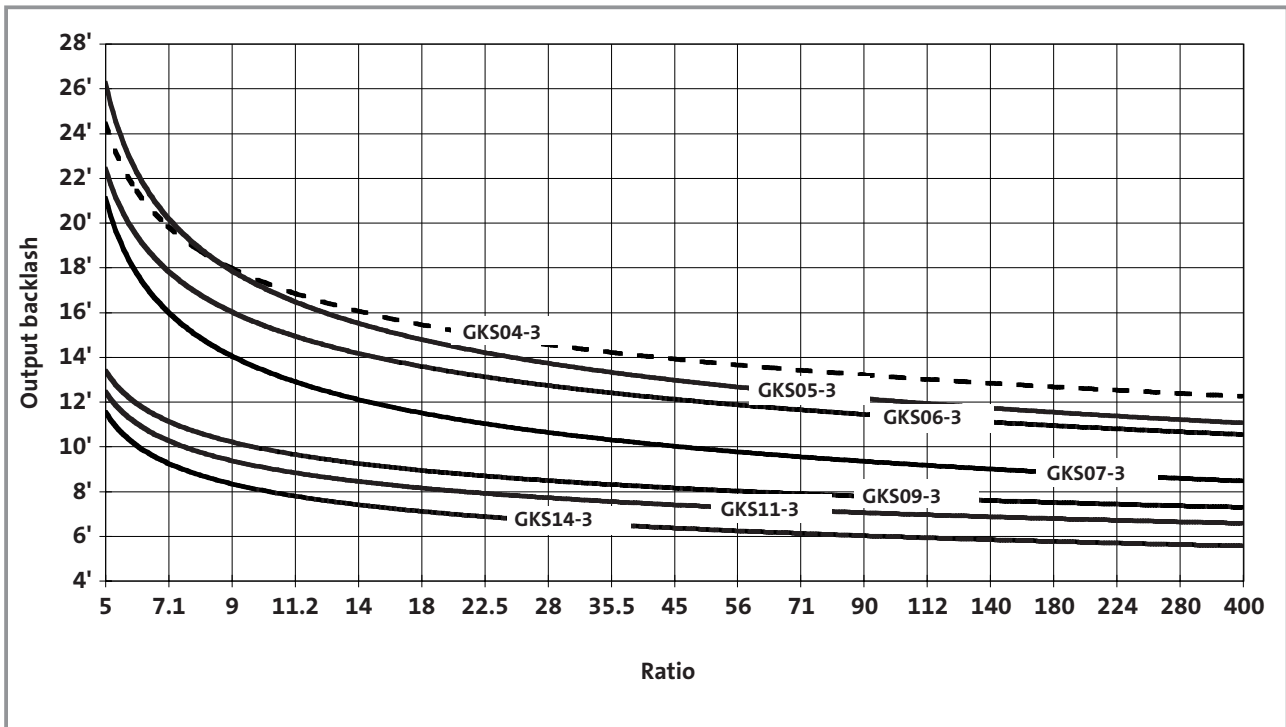
* A reinforced output shaft bearing is available on request for VOR versions.

Neither radial nor axial forces are permitted on hollow shafts with shrink disc (S□□).

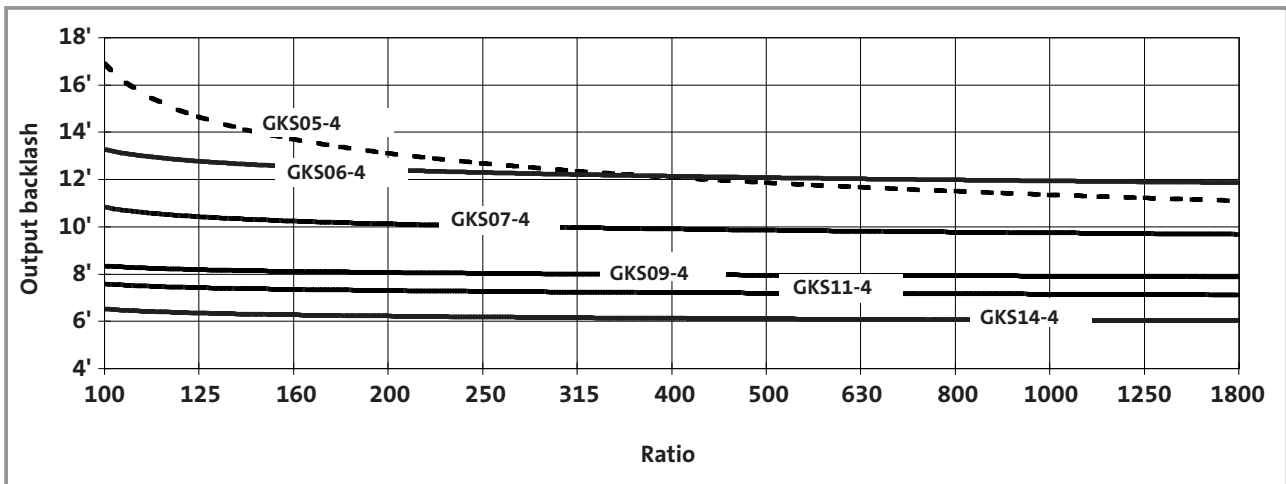
Technical data - Helical bevel gearboxes

Output backlash in angular minutes

Helical-bevel gearboxes GKS□□-3



Helical-bevel gearboxes GKS□□-4





Calculation formula: $i_{exact} = \frac{\text{Numerator}}{\text{Denominator}}$

Actual ratio	Numerator	Denominator
GKS 04 - 3		
5.123	67620	13200
7.025	77280	11000
8.167	73500	9000
8.991	83076	9240
9.836	108192	11000
11.730	77420	6600
13.067	78400	6000
14.333	90300	6300
16.087	88480	5500
17.920	89600	5000
20.588	95116	4620
22.522	123872	5500
25.088	125440	5000
28.727	132720	4620
32.000	134400	4200
35.191	139356	3960
39.200	141120	3600
44.240	145992	3300
50.943	168112	3300
56.976	150416	2640
64.978	180120	2772
72.210	174748	2420
79.598	189126	2376
90.491	179172	1980
100.067	198132	1980
111.467	200640	1800
128.874	204136	1584
143.556	206720	1440
163.332	237158	1452
181.939	240160	1320
204.682	243162	1188
228.000	246240	1080
269.660	249166	924
300.381	252320	840

Technical data - Helical bevel gearboxes

Ratios

Calculation formula: $i_{exact} = \frac{\text{Numerator}}{\text{Denominator}}$

Actual ratio	Numerator	Denominator
GKS 05 - 3		
6.863	73500	10710
9.412	84000	8925
10.569	80850	7650
11.667	83300	7140
13.176	117600	8925
14.494	92400	6375
16.000	95200	5950
17.054	86975	5100
19.216	88200	4590
23.388	99400	4250
26.353	100800	3825
29.931	106855	3570
32.744	139160	4250
36.894	141120	3825
41.765	149100	3570
47.059	151200	3213
51.162	156555	3060
57.647	158760	2754
66.592	203770	3060
75.033	206640	2754
82.833	168980	2040
93.333	171360	1836
107.196	218680	2040
120.784	221760	1836
130.097	221165	1700
146.588	224280	1530
166.276	226135	1360
187.353	229320	1224
211.200	228096	1080
227.484	227484	1000
256.320	230688	900
290.745	232596	800
327.600	235872	720



Calculation formula: $i_{exact} = \frac{\text{Numerator}}{\text{Denominator}}$

Actual ratio	Numerator	Denominator
GKS 05 - 4		
95.238	8568000	89964
114.987	8796480	76500
126.933	9063040	71400
146.667	9424800	64260
161.905	9710400	59976
185.547	9462880	51000
209.067	9596160	45900
225.867	10367280	45900
236.667	10138800	42840
289.917	10645740	36720
326.667	10795680	33048
364.467	11152680	30600
410.667	11309760	27540
469.389	11490640	24480
510.000	13109040	25704
528.889	11652480	22032
594.894	13349420	22440
670.303	13537440	20196
820.760	11818944	14400
924.800	11985408	12960
1040.215	13730832	13200
1172.073	13924224	11880
1303.560	14078448	10800
1468.800	14276736	9720
1717.389	14426064	8400
1935.086	14629248	7560

Technical data - Helical bevel gearboxes

Ratios

Calculation formula: $i_{exact} = \frac{\text{Numerator}}{\text{Denominator}}$

Actual ratio	Numerator	Denominator
GKS 06 - 3		
6.485	66150	10200
9.196	70350	7650
10.147	72450	7140
11.382	81270	7140
12.612	80400	6375
14.824	75600	5100
16.699	76650	4590
17.809	89010	4998
20.329	86400	4250
22.902	87600	3825
26.017	92880	3570
28.461	120960	4250
32.063	122640	3825
36.303	129600	3570
41.472	103680	2500
44.471	136080	3060
53.074	111456	2100
57.882	177120	3060
65.207	179580	2754
72.000	146880	2040
81.111	148920	1836
93.176	190080	2040
104.967	192720	1836
113.082	192240	1700
127.392	194910	1530
142.941	194400	1360
161.029	197100	1224
190.080	228096	1200
214.133	231264	1080
230.688	230688	1000
259.880	233892	900
291.600	233280	800
328.500	236520	720



Calculation formula: $i_{exact} = \frac{\text{Numerator}}{\text{Denominator}}$

Actual ratio	Numerator	Denominator
GKS 06 - 4		
103.721	7776000	74970
113.205	10184400	89964
127.059	8164800	64260
140.816	8445600	59976
155.647	8573040	55080
174.336	11202840	64260
202.588	11158560	55080
224.524	11542320	51408
252.000	9253440	36720
279.286	9571680	34272
316.800	9694080	30600
361.429	12386880	34272
408.000	9987840	24480
458.067	14390640	31416
517.091	11603520	22440
555.927	14554170	26180
640.800	13072320	20400
696.668	14922630	21420
812.137	15186960	18700
914.907	15397890	16830
1017.741	15571440	15300
1146.529	15787710	13770
1340.834	15955920	11900
1510.507	16177530	10710

Technical data - Helical bevel gearboxes

Ratios

Calculation formula: $i_{exact} = \frac{\text{Numerator}}{\text{Denominator}}$

Actual ratio	Numerator	Denominator
GKS 07 - 3		
5.955	65280	10962
8.254	74880	9072
9.171	71808	7830
10.124	73984	7308
11.378	107520	9450
12.711	82368	6480
14.798	77248	5220
16.674	78336	4698
17.270	91392	5292
20.511	88608	4320
23.111	89856	3888
25.244	95424	3780
28.274	127232	4500
31.858	129024	4050
36.063	136320	3780
40.906	107991	2640
44.178	143136	3240
50.345	116298	2310
57.501	186304	3240
64.790	188928	2916
70.474	152224	2160
79.407	154368	1944
92.563	199936	2160
104.296	202752	1944
112.338	202208	1800
126.578	205056	1620
140.548	185523	1320
158.364	188136	1188
184.600	243672	1320
208.000	247104	1188
224.037	246441	1100
252.436	249912	990
283.193	249210	880
319.091	252720	792



Calculation formula: $i_{exact} = \frac{\text{Numerator}}{\text{Denominator}}$

Actual ratio	Numerator	Denominator
GKS 07 - 4		
103.039	8179200	79380
112.391	10705920	95256
126.222	8588160	68040
137.748	8747520	63504
154.622	9017568	58320
179.201	14631424	81648
201.254	11737152	58320
222.909	12133376	54432
246.659	9590112	38880
273.199	9913856	36288
321.049	12482368	38880
358.829	13021184	36288
399.353	10351232	25920
464.367	16850944	36288
516.810	13395712	25920
563.572	17042432	30240
636.581	13750144	21600
683.972	17236096	25200
823.810	17794304	21600
928.237	18044928	19440
999.806	17996512	18000
1126.542	18249984	16200
1277.842	18400928	14400
1439.822	18660096	12960

Technical data - Helical bevel gearboxes

Ratios

Calculation formula: $i_{exact} = \frac{\text{Numerator}}{\text{Denominator}}$

Actual ratio	Numerator	Denominator
GKS 09 - 3		
12.283	87516	7125
13.360	88842	6650
16.122	96492	5985
17.536	97954	5586
19.541	92820	4750
22.022	94146	4275
25.649	102340	3990
29.228	133280	4560
32.940	135184	4104
35.193	140420	3990
39.662	142426	3591
43.146	147560	3420
48.625	149668	3078
58.456	199920	3420
65.879	202776	3078
70.982	161840	2280
79.996	164152	2052
91.860	209440	2280
103.524	212432	2052
111.484	211820	1900
125.641	214846	1710
140.921	214200	1520
158.816	217260	1368
182.000	240240	1320
205.111	243672	1188
220.882	242970	1100
248.930	246441	990
279.205	245700	880
314.659	249210	792



Calculation formula: $i_{exact} = \frac{\text{Numerator}}{\text{Denominator}}$

Actual ratio	Numerator	Denominator
GKS 09 - 4		
100.551	8425200	83790
113.320	8545560	75411
123.275	8853600	71820
138.929	8980080	64638
151.012	9296280	61560
170.188	9429084	55404
204.596	12594960	61560
230.577	12774888	55404
248.439	10195920	41040
279.986	10341576	36936
323.365	13270880	41040
364.427	13460464	36936
402.234	11005120	27360
453.311	11162336	24624
520.538	14241920	27360
586.638	14445376	24624
631.744	14403760	22800
711.965	14609528	20520
817.551	18640160	22800
921.367	18906448	20520
992.209	18851980	19000
1118.204	19121294	17100
1254.197	19063800	15200
1413.461	19336140	13680

Calculation formula: $i_{exact} = \frac{\text{Numerator}}{\text{Denominator}}$

Actual ratio	Numerator	Denominator
GKS 11 - 3		
12.094	95238	7875
13.154	96681	7350
15.874	105006	6615
17.265	106597	6174
19.515	102453	5250
21.989	103896	4725
25.615	112961	4410
28.021	147112	5250
31.573	149184	4725
35.741	157620	4410
40.272	159840	3969
43.783	165501	3780
49.333	167832	3402
57.683	218041	3780
64.995	221112	3402
70.887	178636	2520
79.873	181152	2268
91.737	231176	2520
103.365	234432	2268
111.335	233803	2100
125.448	237096	1890
140.732	236430	1680
158.571	239760	1512
186.572	268664	1440
210.222	272448	1296
226.431	271717	1200
255.133	275544	1080
286.219	274770	960
322.500	278640	864



Calculation formula: $i_{exact} = \frac{\text{Numerator}}{\text{Denominator}}$

Actual ratio	Numerator	Denominator
GKS 11 - 4		
102.119	9457200	92610
115.063	9590400	83349
125.095	9930060	79380
140.952	10069920	71442
153.242	10426563	68040
172.667	10573416	61236
201.890	13736583	68040
227.481	13930056	61236
248.106	11254068	45360
279.556	11412576	40824
322.931	14648152	45360
363.866	14854464	40824
395.787	11968612	30240
445.958	12137184	27216
512.196	15488792	30240
577.122	15706944	27216
621.619	15664801	25200
700.416	15885432	22680
816.455	20574664	25200
919.949	20864448	22680
990.879	20808467	21000
1116.484	21101544	18900
1252.516	21042270	16800
1411.286	21338640	15120

Technical data - Helical bevel gearboxes

Ratios

Calculation formula: $i_{exact} = \frac{\text{Numerator}}{\text{Denominator}}$

Actual ratio	Numerator	Denominator
GKS 14 - 3		
12.435	102960	8280
13.525	104520	7728
16.646	112560	6762
18.311	147400	8050
20.065	110760	5520
22.609	112320	4968
24.696	119280	4830
27.165	156200	5750
30.609	158400	5175
34.692	167560	4830
39.089	169920	4347
42.531	176080	4140
47.923	178560	3726
56.251	232880	4140
63.382	236160	3726
68.942	190280	2760
77.681	192960	2484
90.551	249920	2760
102.029	253440	2484
109.896	252760	2300
123.826	256320	2070
138.913	255600	1840
156.522	259200	1656
186.572	268664	1440
210.222	272448	1296
226.431	271717	1200
255.133	275544	1080
286.219	274770	960
322.500	278640	864

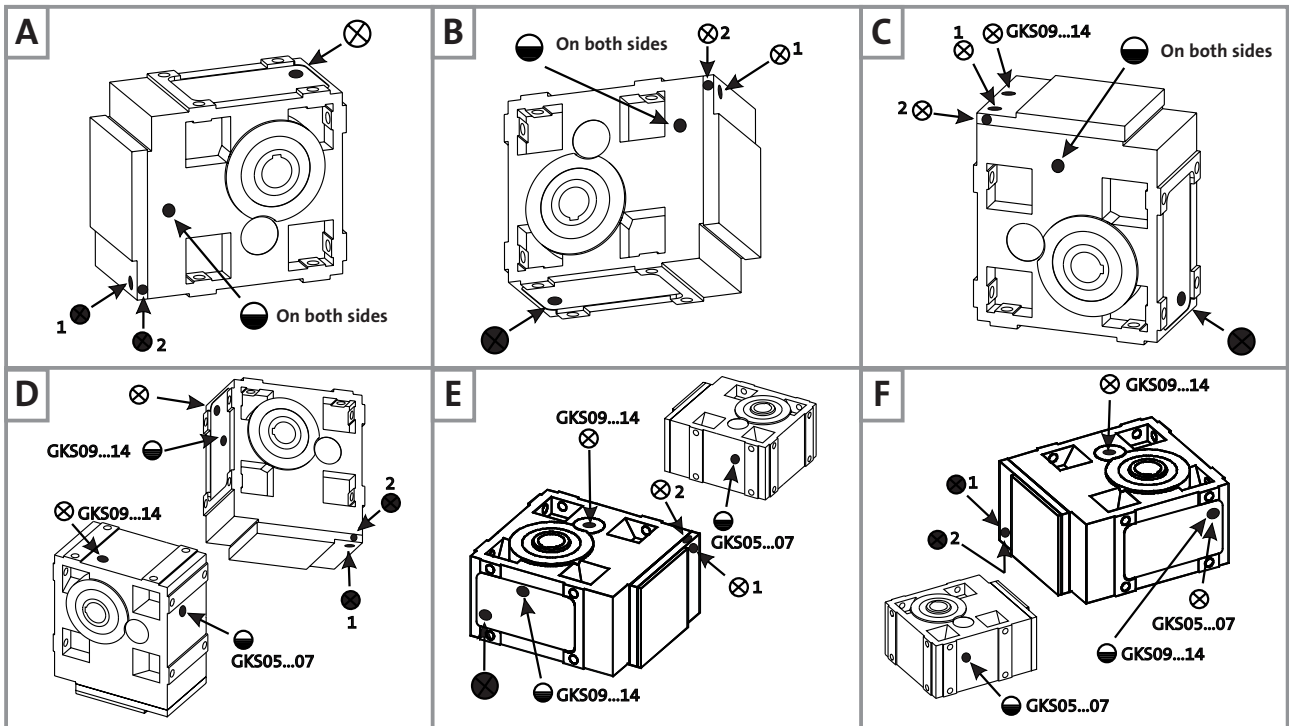


Calculation formula: $i_{exact} = \frac{\text{Numerator}}{\text{Denominator}}$

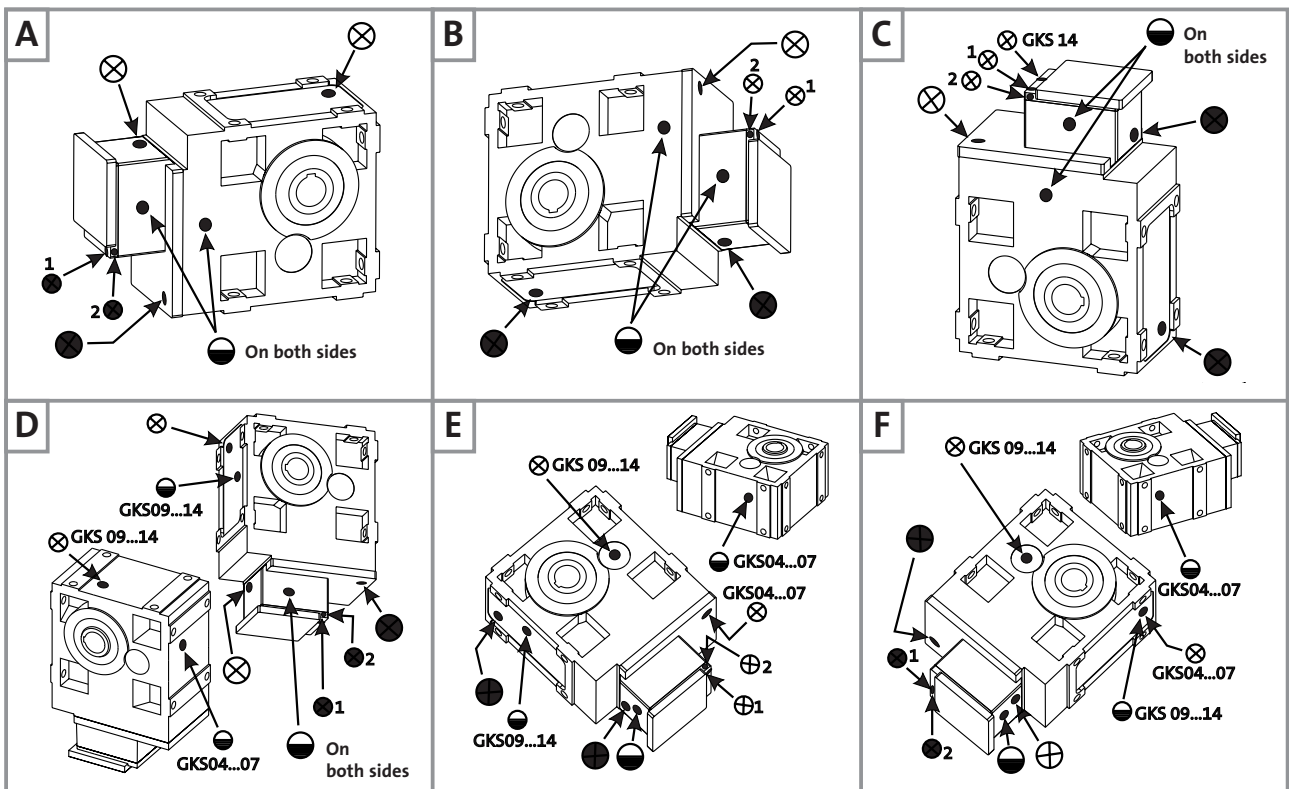
Actual ratio	Numerator	Denominator
GKS 14 - 4		
97.467	9886040	101430
109.822	10025280	91287
119.493	10388720	86940
134.640	10535040	78246
158.039	13739920	86940
178.072	13933440	78246
193.754	14438560	74520
218.315	14641920	67068
237.467	11797360	49680
267.568	11963520	44712
321.729	15983520	49680
362.512	16208640	44712
390.671	12939040	33120
440.193	13121280	29808
513.121	16994560	33120
578.164	17233920	29808
622.742	17187680	27600
701.681	17429760	24840
805.901	22242880	27600
908.058	22556160	24840
978.071	22495640	23000
1102.052	22812480	20700
1236.326	22748400	18400
1393.043	23068800	16560

Position of ventilation, sealing elements and oil control

GKS05 ... 14-3



GKS05 ... 14-4



(A ... F) Mounting position

⊗ Ventilation/oil filler plug
● Oil drain plug

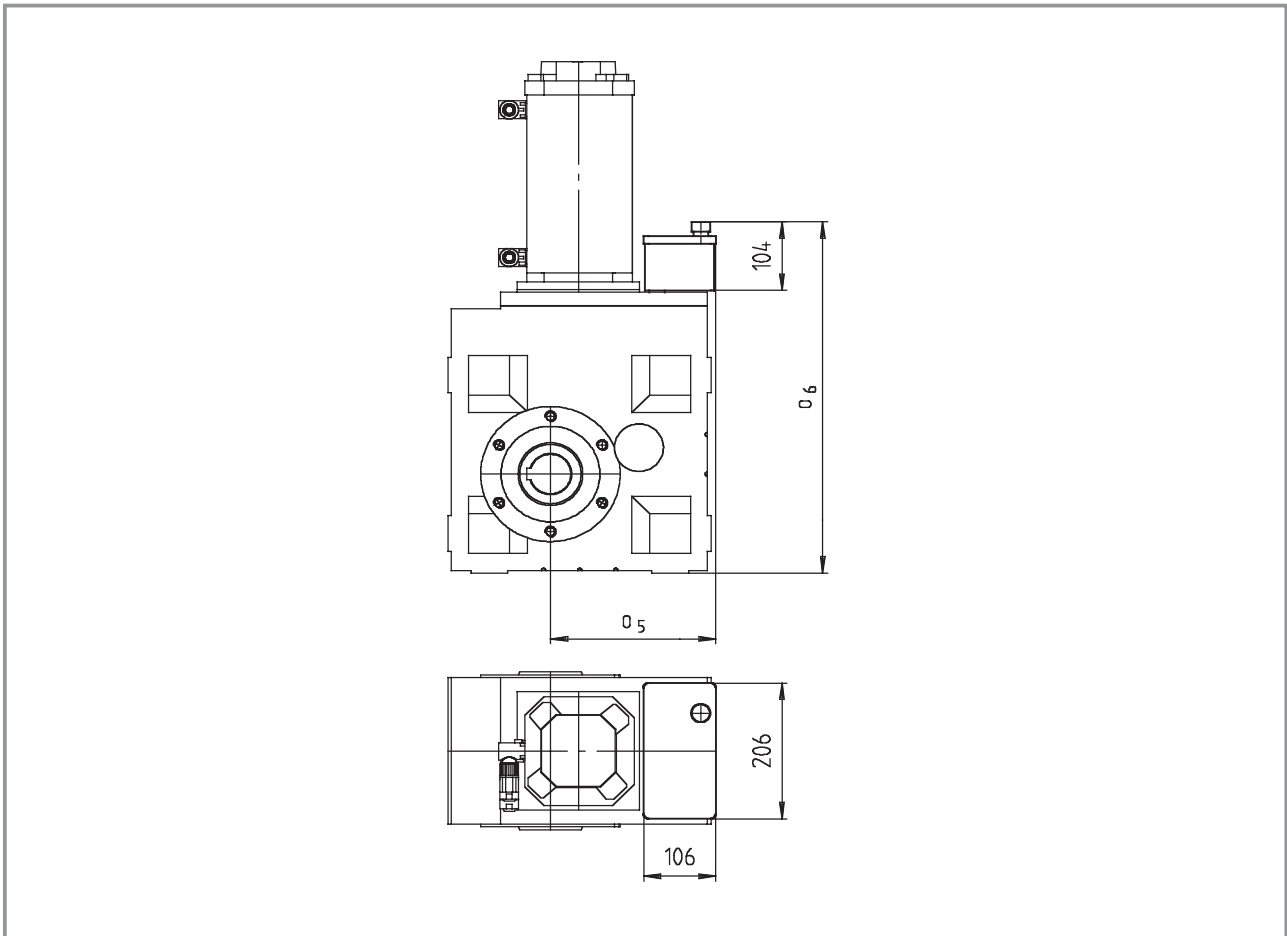
◐ Oil control plug
◑ Oil-sight glass

Pos. 1 Standard

Pos. 2 only on GKS05-3A □□□ 080C22
GKS07-4A □□□ 080C22

Reservoir for mounting position C

Helical-bevel gearbox GKS



Helical bevel gearboxes GKS□□ - 3A		Motor frame size/ Drive size		
		080C22 090C22	100C22	112C22
09	o ₅	243	265	282
	o ₆	533	533	533
11	o ₅	258	280	304
	o ₆	626	630	630
14	o ₅		313	343
	o ₆		739	739

Dimensions in [mm]

Connector/terminal box position 4 not permissible.

Helical-bevel gearbox GKS□□-3

Gearbox size	naturally ventilated										
	GKS□□-3S HAR/HBR with motor frame size (synchronous)					GKS□□-3A HAR/HBR with motor frame size (asynchronous)					
	056 C23	C33	C03	071 C13	C33	056 C22	071 C22	080 C22	090 C22	100 C22	112 C22
04	17	18	21	23	25	18	23				
05	27	28	31	33	35	28	32	38			
06	41	42	45	47	49	42	46	52	60		
07	67	68	71	73	75	68	72	78	86	109	126
09								126	134	157	175
11								226	234	256	273
14										427	441

Helical-bevel gearboxes GKS□□-4

Gearbox size	naturally ventilated										
	GKS□□-4S HAR/HBR with motor frame size (synchronous)					GKS□□-4A HAR/HBR with motor frame size (asynchronous)					
	056 C23	C33	C03	071 C13	C33	056 C22	071 C22	080 C22	090 C22	100 C22	112 C22
05	28	29	32	34	36	29	33				
06	45	46	49	51	53	46	50				
07	75	76	79	81	83	76	80	86			
09	128	129	132	134	136	129	133	139	147		
11	236	237	240	242	244	237	241	247	255	278	295
14								432	440	463	481

Additional weights

At the drive end

C23	Synchronous				Asynchronous						
	056 C33	C03	071 C13	C33	056 C22	071 C22	080 C22	090 C22	100 C22	112 C22	
forced ventilated											
–	–	1.3	1.3	1.3	–	1.6	1.9	2.6	3.5	3.5	
Brake											
0.9	0.9	1.4	1.4	1.4	0.9	1.4	1.5	2.4	4.8	5.0	

At the non-drive end

Gearbox size	Solid shaft V□□	2nd output shaft end V□□	Hollow shaft with shrink disc S□□	Flange □□K	Torque plate Housing foot	Torque plate Pitch circle
04	0.6	0.2	0.6	2.5	1.3	0.9
05	1	0.3	0.8	4	2.2	1.3
06	2.5	0.8	1	7	3.7	2.1
07	5	1.5	1.5	11	6.6	3.7
09	8	2.7	3	16	13	
11	16	6.3	5	24	23	
14	33	12	11	33	44	

Weights in [kg] with oil capacity for mounting position A. All data is approximate

Selection tables - Helical-bevel gearboxes

Naturally ventilated synchronous geared servo motors



M ₂ [Nm]	n ₂ trans [rpm]	c	i	M ₂ max short-time on geared motor at				M ₂ Gr gearbox c=1 n ₁ ≤ 1400 rpm [Nm]	n ₂ therm [rpm]	J _{GM} referred to motor shaft [kgm ²]	Helical-bevel geared servo motor Dimensions on Page 6-88
				8 kHz		16 kHz					
				M ₂ max [Nm]	Type EVS	M ₂ max [Nm]	Type EVS				
13	742	4.3	5.123	23	9322	26	9323	81	687	2.57E-04	GKS04 - 3S □□□ 056C23 MDSKS□□ 056-23 190
18	541	3.6	7.025	31	9322	36	9323	93	538	2.08E-04	GKS04 - 3S □□□ 056C23 MDSKS□□ 056-23 190
21	465	4.3	8.167	36	9322	42	9323	128	431	2.26E-04	GKS04 - 3S □□□ 056C23 MDSKS□□ 056-23 190
23	423	3.2	8.991	40	9322	46	9323	103	423	1.84E-04	GKS04 - 3S □□□ 056C23 MDSKS□□ 056-23 190
26	386	3.0	9.836	43	9322	50	9323	106	386	1.78E-04	GKS04 - 3S □□□ 056C23 MDSKS□□ 056-23 190
30	324	4.2	11.730	52	9322	60	9323	180	299	2.13E-04	GKS04 - 3S □□□ 056C23 MDSKS□□ 056-23 190
34	291	3.5	13.067	58	9322	67	9323	165	258	2.10E-04	GKS04 - 3S □□□ 056C23 MDSKS□□ 056-23 190
37	265	3.2	14.333	63	9322	73	9323	164	265	1.75E-04	GKS04 - 3S □□□ 056C23 MDSKS□□ 056-23 190
42	236	3.1	16.087	71	9322	82	9323	181	229	1.84E-04	GKS04 - 3S □□□ 056C23 MDSKS□□ 056-23 190
47	212	2.6	17.920	79	9322	91	9323	166	198	1.83E-04	GKS04 - 3S □□□ 056C23 MDSKS□□ 056-23 190
54	185	2.4	20.588	91	9322	105	9323	182	185	1.70E-04	GKS04 - 3S □□□ 056C23 MDSKS□□ 056-23 190
59	169	2.2	22.522	99	9322	115	9323	182	169	1.66E-04	GKS04 - 3S □□□ 056C23 MDSKS□□ 056-23 190
66	151	1.8	25.088	110	9322	128	9323	167	151	1.65E-04	GKS04 - 3S □□□ 056C23 MDSKS□□ 056-23 190
76	132	1.8	28.727	126	9322	146	9323	183	132	1.58E-04	GKS04 - 3S □□□ 056C23 MDSKS□□ 056-23 190
85	119	1.4	32.000	141	9322	163	9323	167	119	1.58E-04	GKS04 - 3S □□□ 056C23 MDSKS□□ 056-23 190
93	108	1.4	35.191	155	9322	179	9323	183	108	1.54E-04	GKS04 - 3S □□□ 056C23 MDSKS□□ 056-23 190
104	97	1.2	39.200	172	9322	200	9323	168	97	1.53E-04	GKS04 - 3S □□□ 056C23 MDSKS□□ 056-23 190
117	86	1.3	44.240	195	9322	225	9323	185	86	1.49E-04	GKS04 - 3S □□□ 056C23 MDSKS□□ 056-23 190
135	75	1.1	50.943	224	9322	259	9323	182	63	1.58E-04	GKS04 - 3S □□□ 056C23 MDSKS□□ 056-23 190
151	67	1.0	56.976	251	9322	281	9323	187	67	1.46E-04	GKS04 - 3S □□□ 056C23 MDSKS□□ 056-23 190
20	781	2.8	5.123	34	9323	44	9324	81	634	3.17E-04	GKS04 - 3S □□□ 056C33 MDSKS□□ 056-33 200
28	569	2.4	7.025	46	9323	60	9324	93	499	2.68E-04	GKS04 - 3S □□□ 056C33 MDSKS□□ 056-33 200
32	490	2.8	8.167	53	9323	70	9324	128	398	2.86E-04	GKS04 - 3S □□□ 056C33 MDSKS□□ 056-33 200
35	445	2.1	8.991	59	9323	77	9324	103	445	2.44E-04	GKS04 - 3S □□□ 056C33 MDSKS□□ 056-33 200
39	407	2.0	9.836	64	9323	84	9324	106	407	2.38E-04	GKS04 - 3S □□□ 056C33 MDSKS□□ 056-33 200
46	341	2.8	11.730	77	9323	100	9324	180	275	2.73E-04	GKS04 - 3S □□□ 056C33 MDSKS□□ 056-33 200
51	306	2.3	13.067	85	9323	111	9324	165	238	2.70E-04	GKS04 - 3S □□□ 056C33 MDSKS□□ 056-33 200
57	279	2.1	14.333	94	9323	122	9324	164	279	2.35E-04	GKS04 - 3S □□□ 056C33 MDSKS□□ 056-33 200
63	249	2.0	16.087	105	9323	137	9324	181	212	2.44E-04	GKS04 - 3S □□□ 056C33 MDSKS□□ 056-33 200
71	223	1.7	17.920	117	9323	153	9324	166	175	2.43E-04	GKS04 - 3S □□□ 056C33 MDSKS□□ 056-33 200
82	194	1.6	20.588	135	9323	175	9324	182	174	2.30E-04	GKS04 - 3S □□□ 056C33 MDSKS□□ 056-33 200
89	178	1.5	22.522	147	9323	192	9324	182	160	2.26E-04	GKS04 - 3S □□□ 056C33 MDSKS□□ 056-33 200
100	159	1.2	25.088	164	9323	214	9324	167	132	2.25E-04	GKS04 - 3S □□□ 056C33 MDSKS□□ 056-33 200
114	139	1.2	28.727	188	9323	245	9324	183	131	2.18E-04	GKS04 - 3S □□□ 056C33 MDSKS□□ 056-33 200

Observe the notes for thermal dimensioning.

Selection tables - Helical-bevel gearboxes

Naturally ventilated synchronous geared servo motors

M ₂ [Nm]	n ₂ trans [rpm]	c	i	M ₂ max short-time on geared motor at				M ₂ Gr gearbox c=1 n ₁ ≤ 1400 rpm [Nm]	n ₂ therm [rpm]	J _{GM} referred to motor shaft [kgm ²]	Helical-bevel geared servo motor Dimensions on Page 6-88
				8 kHz		16 kHz					
				M ₂ max [Nm]	Type EVS	M ₂ max [Nm]	Type EVS				
27	664	2.2	5.123	39	9323	52	9324	81	602	7.17E-04	GKS04 - 3S □□□ 071C03 MDSKS□□ 071-03 170
38	484	1.9	7.025	54	9323	71	9324	93	467	6.68E-04	GKS04 - 3S □□□ 071C03 MDSKS□□ 071-03 170
44	416	2.2	8.167	62	9323	82	9324	128	378	6.86E-04	GKS04 - 3S □□□ 071C03 MDSKS□□ 071-03 170
48	378	1.6	8.991	68	9323	90	9324	103	378	6.44E-04	GKS04 - 3S □□□ 071C03 MDSKS□□ 071-03 170
53	346	1.5	9.836	75	9323	99	9324	106	346	6.38E-04	GKS04 - 3S □□□ 071C03 MDSKS□□ 071-03 170
63	290	2.2	11.730	89	9323	118	9324	180	262	6.73E-04	GKS04 - 3S □□□ 071C03 MDSKS□□ 071-03 170
70	260	1.8	13.067	99	9323	131	9324	165	218	6.70E-04	GKS04 - 3S □□□ 071C03 MDSKS□□ 071-03 170
77	237	1.6	14.333	109	9323	144	9324	164	237	6.35E-04	GKS04 - 3S □□□ 071C03 MDSKS□□ 071-03 170
87	211	1.6	16.087	122	9323	162	9324	181	189	6.44E-04	GKS04 - 3S □□□ 071C03 MDSKS□□ 071-03 170
97	190	1.3	17.920	136	9323	180	9324	166	156	6.43E-04	GKS04 - 3S □□□ 071C03 MDSKS□□ 071-03 170
111	165	1.2	20.588	157	9323	207	9324	182	155	6.30E-04	GKS04 - 3S □□□ 071C03 MDSKS□□ 071-03 170
122	151	1.1	22.522	171	9323	227	9324	182	143	6.26E-04	GKS04 - 3S □□□ 071C03 MDSKS□□ 071-03 170
40	722	1.5	5.123	61	9324	84	9325	81	503	9.17E-04	GKS04 - 3S □□□ 071C13 MDSKS□□ 071-13 185
55	527	1.2	7.025	83	9324	115	9325	93	390	8.68E-04	GKS04 - 3S □□□ 071C13 MDSKS□□ 071-13 185
64	453	1.5	8.167	97	9324	133	9325	128	315	8.86E-04	GKS04 - 3S □□□ 071C13 MDSKS□□ 071-13 185
71	412	1.1	8.991	106	9324	147	9325	103	333	8.44E-04	GKS04 - 3S □□□ 071C13 MDSKS□□ 071-13 185
78	376	1.0	9.836	116	9324	159	9325	106	314	8.38E-04	GKS04 - 3S □□□ 071C13 MDSKS□□ 071-13 185
92	315	1.4	11.730	139	9324	191	9325	180	217	8.73E-04	GKS04 - 3S □□□ 071C13 MDSKS□□ 071-13 185
103	283	1.2	13.067	155	9324	213	9325	165	177	8.70E-04	GKS04 - 3S □□□ 071C13 MDSKS□□ 071-13 185
113	258	1.1	14.333	170	9324	234	9325	164	209	8.35E-04	GKS04 - 3S □□□ 071C13 MDSKS□□ 071-13 185
127	230	1.1	16.087	190	9324	262	9325	181	160	8.44E-04	GKS04 - 3S □□□ 071C13 MDSKS□□ 071-13 185
60	703	1.0	5.123	117	9325	87	9325	81	421	1.12E-03	GKS04 - 3S □□□ 071C33 MDSKS□□ 071-33 180
95	441	1.0	8.167	186	9325	139	9325	128	264	1.09E-03	GKS04 - 3S □□□ 071C33 MDSKS□□ 071-33 180
34	288	3.5	13.176	58	9322	67	9323	165	284	2.11E-04	GKS05 - 3S □□□ 056C23 MDSKS□□ 056-23 190
78	127	3.0	29.931	132	9322	152	9323	330	118	2.07E-04	GKS05 - 3S □□□ 056C23 MDSKS□□ 056-23 190
85	116	2.8	32.744	144	9322	167	9323	331	110	1.98E-04	GKS05 - 3S □□□ 056C23 MDSKS□□ 056-23 190
97	103	2.3	36.894	162	9322	188	9323	302	94	1.98E-04	GKS05 - 3S □□□ 056C23 MDSKS□□ 056-23 190
110	91	2.2	41.765	184	9322	213	9323	331	91	1.82E-04	GKS05 - 3S □□□ 056C23 MDSKS□□ 056-23 190
124	81	2.0	47.059	207	9322	240	9323	304	81	1.81E-04	GKS05 - 3S □□□ 056C23 MDSKS□□ 056-23 190
135	74	2.0	51.162	225	9322	261	9323	331	74	1.72E-04	GKS05 - 3S □□□ 056C23 MDSKS□□ 056-23 190
152	66	1.7	57.647	254	9322	294	9323	307	66	1.72E-04	GKS05 - 3S □□□ 056C23 MDSKS□□ 056-23 190
176	57	1.6	66.592	293	9322	339	9323	331	57	1.60E-04	GKS05 - 3S □□□ 056C23 MDSKS□□ 056-23 190
199	51	1.3	75.033	330	9322	382	9323	310	51	1.60E-04	GKS05 - 3S □□□ 056C23 MDSKS□□ 056-23 190
220	46	1.3	82.833	364	9322	422	9323	331	46	1.55E-04	GKS05 - 3S □□□ 056C23 MDSKS□□ 056-23 190

Observe the notes for thermal dimensioning.

Selection tables - Helical-bevel gearboxes

Naturally ventilated synchronous geared servo motors



M ₂ [Nm]	n ₂ trans [rpm]	c	i	M ₂ max short-time on geared motor at				M ₂ Gr gearbox c=1 n ₁ ≤ 1400 rpm [Nm]	n ₂ therm [rpm]	J _{GM} referred to motor shaft [kgm ²]	Helical-bevel geared servo motor Dimensions on Page 6-88
				8 kHz		16 kHz					
				M ₂ max [Nm]	Type EVS	M ₂ max [Nm]	Type EVS				
248	41	1.1	93.333	411	9322	473	9323	315	41	1.54E-04	GKS05 - 3S □□□ 056C23 MDSKS□□ 056-23 190
52	304	2.3	13.176	86	9323	112	9324	165	263	2.71E-04	GKS05 - 3S □□□ 056C33 MDSKS□□ 056-33 200
118	134	2.0	29.931	196	9323	255	9324	330	109	2.67E-04	GKS05 - 3S □□□ 056C33 MDSKS□□ 056-33 200
129	122	1.8	32.744	214	9323	279	9324	331	99	2.58E-04	GKS05 - 3S □□□ 056C33 MDSKS□□ 056-33 200
146	108	1.5	36.894	241	9323	314	9324	302	80	2.58E-04	GKS05 - 3S □□□ 056C33 MDSKS□□ 056-33 200
166	96	1.4	41.765	273	9323	355	9324	331	82	2.42E-04	GKS05 - 3S □□□ 056C33 MDSKS□□ 056-33 200
187	85	1.3	47.059	308	9323	401	9324	304	70	2.41E-04	GKS05 - 3S □□□ 056C33 MDSKS□□ 056-33 200
203	78	1.3	51.162	334	9323	435	9324	331	73	2.32E-04	GKS05 - 3S □□□ 056C33 MDSKS□□ 056-33 200
230	69	1.1	57.647	377	9323	461	9324	307	60	2.32E-04	GKS05 - 3S □□□ 056C33 MDSKS□□ 056-33 200
266	60	1.0	66.592	435	9323	497	9324	331	60	2.20E-04	GKS05 - 3S □□□ 056C33 MDSKS□□ 056-33 200
36	495	3.0	6.863	52	9323	69	9324	147	398	7.90E-04	GKS05 - 3S □□□ 071C03 MDSKS□□ 071-03 170
50	361	2.5	9.412	72	9323	95	9324	165	327	7.17E-04	GKS05 - 3S □□□ 071C03 MDSKS□□ 071-03 170
56	322	3.0	10.569	80	9323	106	9324	227	258	7.60E-04	GKS05 - 3S □□□ 071C03 MDSKS□□ 071-03 170
62	291	3.0	11.667	89	9323	117	9324	251	234	7.65E-04	GKS05 - 3S □□□ 071C03 MDSKS□□ 071-03 170
71	258	1.8	13.176	100	9323	133	9324	165	243	6.71E-04	GKS05 - 3S □□□ 071C03 MDSKS□□ 071-03 170
77	235	2.5	14.494	110	9323	146	9324	254	212	7.04E-04	GKS05 - 3S □□□ 071C03 MDSKS□□ 071-03 170
85	213	2.5	16.000	122	9323	161	9324	280	192	7.04E-04	GKS05 - 3S □□□ 071C03 MDSKS□□ 071-03 170
91	199	2.6	17.054	130	9323	172	9324	314	155	7.51E-04	GKS05 - 3S □□□ 071C03 MDSKS□□ 071-03 170
103	177	2.2	19.216	146	9323	193	9324	297	132	7.47E-04	GKS05 - 3S □□□ 071C03 MDSKS□□ 071-03 170
125	145	2.0	23.388	178	9323	235	9324	329	126	6.96E-04	GKS05 - 3S □□□ 071C03 MDSKS□□ 071-03 170
142	129	1.6	26.353	201	9323	265	9324	298	99	6.95E-04	GKS05 - 3S □□□ 071C03 MDSKS□□ 071-03 170
161	114	1.6	29.931	228	9323	301	9324	330	96	6.67E-04	GKS05 - 3S □□□ 071C03 MDSKS□□ 071-03 170
176	104	1.4	32.744	249	9323	329	9324	331	88	6.58E-04	GKS05 - 3S □□□ 071C03 MDSKS□□ 071-03 170
199	92	1.2	36.894	281	9323	371	9324	302	72	6.58E-04	GKS05 - 3S □□□ 071C03 MDSKS□□ 071-03 170
226	81	1.1	41.765	318	9323	420	9324	331	74	6.42E-04	GKS05 - 3S □□□ 071C03 MDSKS□□ 071-03 170
255	72	1.0	47.059	358	9323	456	9324	304	63	6.41E-04	GKS05 - 3S □□□ 071C03 MDSKS□□ 071-03 170
277	66	1.0	51.162	389	9323	497	9324	331	66	6.32E-04	GKS05 - 3S □□□ 071C03 MDSKS□□ 071-03 170
54	539	2.0	6.863	81	9324	112	9325	147	364	9.90E-04	GKS05 - 3S □□□ 071C13 MDSKS□□ 071-13 185
74	393	1.6	9.412	111	9324	154	9325	165	281	9.17E-04	GKS05 - 3S □□□ 071C13 MDSKS□□ 071-13 185
82	350	2.0	10.569	125	9324	172	9325	227	237	9.60E-04	GKS05 - 3S □□□ 071C13 MDSKS□□ 071-13 185
91	317	2.0	11.667	138	9324	190	9325	251	214	9.65E-04	GKS05 - 3S □□□ 071C13 MDSKS□□ 071-13 185
104	281	1.2	13.176	156	9324	215	9325	165	203	8.71E-04	GKS05 - 3S □□□ 071C13 MDSKS□□ 071-13 185
113	255	1.6	14.494	171	9324	236	9325	254	183	9.04E-04	GKS05 - 3S □□□ 071C13 MDSKS□□ 071-13 185
125	231	1.6	16.000	189	9324	261	9325	280	166	9.04E-04	GKS05 - 3S □□□ 071C13 MDSKS□□ 071-13 185

Observe the notes for thermal dimensioning.

Selection tables - Helical-bevel gearboxes

Naturally ventilated synchronous geared servo motors

M ₂ [Nm]	n _{2 trans} [rpm]	c	i	M _{2 max} short-time on geared motor at				M _{2 Gr} gearbox c=1 n ₁ ≤ 1400 rpm [Nm]	n _{2 therm} [rpm]	J _{GM} referred to motor shaft [kgm ²]	Helical-bevel geared servo motor Dimensions on Page 6-88
				8 kHz		16 kHz					
				M _{2 max} [Nm]	Type EVS	M _{2 max} [Nm]	Type EVS				
133	217	1.7	17.054	202	9324	278	9325	314	135	9.51E-04	GKS05 - 3S □□□ 071C13 MDSKS□□ 071-13 185
151	193	1.5	19.216	227	9324	313	9325	297	109	9.47E-04	GKS05 - 3S □□□ 071C13 MDSKS□□ 071-13 185
184	158	1.3	23.388	277	9324	381	9325	329	101	8.96E-04	GKS05 - 3S □□□ 071C13 MDSKS□□ 071-13 185
208	140	1.1	26.353	312	9324	430	9325	298	81	8.95E-04	GKS05 - 3S □□□ 071C13 MDSKS□□ 071-13 185
236	124	1.0	29.931	354	9324	488	9325	330	81	8.67E-04	GKS05 - 3S □□□ 071C13 MDSKS□□ 071-13 185
80	525	1.4	6.863	156	9325	117	9325	147	298	1.19E-03	GKS05 - 3S □□□ 071C33 MDSKS□□ 071-33 180
110	383	1.1	9.412	215	9325	161	9325	165	232	1.12E-03	GKS05 - 3S □□□ 071C33 MDSKS□□ 071-33 180
123	341	1.4	10.569	241	9325	180	9325	227	194	1.16E-03	GKS05 - 3S □□□ 071C33 MDSKS□□ 071-33 180
136	309	1.4	11.667	266	9325	199	9325	251	175	1.16E-03	GKS05 - 3S □□□ 071C33 MDSKS□□ 071-33 180
169	248	1.1	14.494	330	9325	247	9325	254	151	1.10E-03	GKS05 - 3S □□□ 071C33 MDSKS□□ 071-33 180
187	225	1.1	16.000	365	9325	273	9325	280	136	1.10E-03	GKS05 - 3S □□□ 071C33 MDSKS□□ 071-33 180
199	211	1.2	17.054	389	9325	291	9325	314	111	1.15E-03	GKS05 - 3S □□□ 071C33 MDSKS□□ 071-33 180
92	105	5.2	36.303	160	9322	185	9323	685	105	2.58E-04	GKS06 - 3S □□□ 056C23 MDSKS□□ 056-23 190
149	66	3.8	57.882	255	9322	295	9323	695	66	1.98E-04	GKS06 - 3S □□□ 056C23 MDSKS□□ 056-23 190
170	58	3.0	65.207	287	9322	332	9323	624	58	1.97E-04	GKS06 - 3S □□□ 056C23 MDSKS□□ 056-23 190
187	53	3.1	72.000	317	9322	367	9323	702	53	1.82E-04	GKS06 - 3S □□□ 056C23 MDSKS□□ 056-23 190
212	47	2.4	81.111	357	9322	413	9323	630	47	1.82E-04	GKS06 - 3S □□□ 056C23 MDSKS□□ 056-23 190
244	41	2.4	93.176	410	9322	474	9323	702	41	1.66E-04	GKS06 - 3S □□□ 056C23 MDSKS□□ 056-23 190
277	36	1.9	104.967	462	9322	534	9323	635	36	1.65E-04	GKS06 - 3S □□□ 056C23 MDSKS□□ 056-23 190
297	34	2.2	113.082	497	9322	576	9323	702	34	1.59E-04	GKS06 - 3S □□□ 056C23 MDSKS□□ 056-23 190
336	30	1.7	127.392	560	9322	649	9323	635	30	1.59E-04	GKS06 - 3S □□□ 056C23 MDSKS□□ 056-23 190
377	27	1.7	142.941	629	9322	728	9323	702	27	1.52E-04	GKS06 - 3S □□□ 056C23 MDSKS□□ 056-23 190
427	24	1.4	161.029	708	9322	820	9323	635	24	1.52E-04	GKS06 - 3S □□□ 056C23 MDSKS□□ 056-23 190
504	20	1.3	190.080	836	9322	968	9323	702	20	1.63E-04	GKS06 - 3S □□□ 056C23 MDSKS□□ 056-23 190
569	18	1.0	214.133	942	9322	953	9323	635	18	1.63E-04	GKS06 - 3S □□□ 056C23 MDSKS□□ 056-23 190
613	16	1.1	230.688	1015	9322	1053	9323	702	16	1.57E-04	GKS06 - 3S □□□ 056C23 MDSKS□□ 056-23 190
141	110	3.4	36.303	237	9323	309	9324	685	100	3.18E-04	GKS06 - 3S □□□ 056C33 MDSKS□□ 056-33 200
227	69	2.5	57.882	378	9323	493	9324	695	69	2.58E-04	GKS06 - 3S □□□ 056C33 MDSKS□□ 056-33 200
257	61	2.0	65.207	426	9323	555	9324	624	61	2.57E-04	GKS06 - 3S □□□ 056C33 MDSKS□□ 056-33 200
284	56	2.0	72.000	471	9323	613	9324	702	56	2.42E-04	GKS06 - 3S □□□ 056C33 MDSKS□□ 056-33 200
322	49	1.6	81.111	530	9323	690	9324	630	49	2.42E-04	GKS06 - 3S □□□ 056C33 MDSKS□□ 056-33 200
370	43	1.5	93.176	609	9323	793	9324	702	43	2.26E-04	GKS06 - 3S □□□ 056C33 MDSKS□□ 056-33 200
418	38	1.2	104.967	686	9323	893	9324	635	38	2.25E-04	GKS06 - 3S □□□ 056C33 MDSKS□□ 056-33 200
449	35	1.4	113.082	739	9323	962	9324	702	35	2.19E-04	GKS06 - 3S □□□ 056C33 MDSKS□□ 056-33 200

Observe the notes for thermal dimensioning.

Selection tables - Helical-bevel gearboxes

Naturally ventilated synchronous geared servo motors



M ₂ [Nm]	n ₂ trans [rpm]	c	i	M ₂ max short-time on geared motor at				M ₂ Gr gearbox c=1 n ₁ ≤ 1400 rpm [Nm]	n ₂ therm [rpm]	J _{GM} referred to motor shaft [kgm ²]	Helical-bevel geared servo motor Dimensions on Page 6-88
				8 kHz		16 kHz					
				M ₂ max [Nm]	Type EVS	M ₂ max [Nm]	Type EVS				
507	31	1.1	127.392	833	9323	953	9324	635	31	2.19E-04	GKS06 - 3S □□□ 056C33 MDSKS□□ 056-33 200
570	28	1.1	142.941	934	9323	1053	9324	702	28	2.12E-04	GKS06 - 3S □□□ 056C33 MDSKS□□ 056-33 200
60	299	4.1	11.382	87	9323	115	9324	331	290	8.49E-04	GKS06 - 3S □□□ 071C03 MDSKS□□ 071-03 170
93	191	4.1	17.809	136	9323	179	9324	518	185	8.13E-04	GKS06 - 3S □□□ 071C03 MDSKS□□ 071-03 170
137	131	3.7	26.017	198	9323	262	9324	679	124	7.94E-04	GKS06 - 3S □□□ 071C03 MDSKS□□ 071-03 170
150	119	3.4	28.461	217	9323	286	9324	682	115	7.67E-04	GKS06 - 3S □□□ 071C03 MDSKS□□ 071-03 170
171	106	2.7	32.063	244	9323	323	9324	610	98	7.63E-04	GKS06 - 3S □□□ 071C03 MDSKS□□ 071-03 170
193	94	2.7	36.303	276	9323	365	9324	685	94	7.18E-04	GKS06 - 3S □□□ 071C03 MDSKS□□ 071-03 170
237	76	2.5	44.471	338	9323	447	9324	689	76	6.90E-04	GKS06 - 3S □□□ 071C03 MDSKS□□ 071-03 170
284	64	2.1	53.074	404	9323	534	9324	695	54	7.52E-04	GKS06 - 3S □□□ 071C03 MDSKS□□ 071-03 170
310	59	1.9	57.882	440	9323	582	9324	695	59	6.58E-04	GKS06 - 3S □□□ 071C03 MDSKS□□ 071-03 170
351	52	1.5	65.207	496	9323	656	9324	624	52	6.57E-04	GKS06 - 3S □□□ 071C03 MDSKS□□ 071-03 170
388	47	1.6	72.000	548	9323	724	9324	702	47	6.42E-04	GKS06 - 3S □□□ 071C03 MDSKS□□ 071-03 170
438	42	1.2	81.111	617	9323	816	9324	630	42	6.42E-04	GKS06 - 3S □□□ 071C03 MDSKS□□ 071-03 170
503	36	1.2	93.176	709	9323	937	9324	702	36	6.26E-04	GKS06 - 3S □□□ 071C03 MDSKS□□ 071-03 170
612	30	1.1	113.082	860	9323	1053	9324	702	30	6.19E-04	GKS06 - 3S □□□ 071C03 MDSKS□□ 071-03 170
88	325	2.7	11.382	135	9324	186	9325	331	267	1.05E-03	GKS06 - 3S □□□ 071C13 MDSKS□□ 071-13 185
138	208	2.7	17.809	211	9324	291	9325	518	171	1.01E-03	GKS06 - 3S □□□ 071C13 MDSKS□□ 071-13 185
202	142	2.5	26.017	308	9324	424	9325	679	114	9.94E-04	GKS06 - 3S □□□ 071C13 MDSKS□□ 071-13 185
221	130	2.3	28.461	337	9324	464	9325	682	106	9.67E-04	GKS06 - 3S □□□ 071C13 MDSKS□□ 071-13 185
251	115	1.8	32.063	379	9324	523	9325	610	87	9.63E-04	GKS06 - 3S □□□ 071C13 MDSKS□□ 071-13 185
284	102	1.8	36.303	429	9324	592	9325	685	86	9.18E-04	GKS06 - 3S □□□ 071C13 MDSKS□□ 071-13 185
348	83	1.7	44.471	526	9324	725	9325	689	79	8.90E-04	GKS06 - 3S □□□ 071C13 MDSKS□□ 071-13 185
417	70	1.4	53.074	628	9324	866	9325	695	44	9.52E-04	GKS06 - 3S □□□ 071C13 MDSKS□□ 071-13 185
455	64	1.3	57.882	685	9324	944	9325	695	63	8.58E-04	GKS06 - 3S □□□ 071C13 MDSKS□□ 071-13 185
514	57	1.0	65.207	771	9324	936	9325	624	52	8.57E-04	GKS06 - 3S □□□ 071C13 MDSKS□□ 071-13 185
567	51	1.0	72.000	852	9324	1053	9325	702	51	8.42E-04	GKS06 - 3S □□□ 071C13 MDSKS□□ 071-13 185
132	316	1.9	11.382	259	9325	194	9325	331	240	1.25E-03	GKS06 - 3S □□□ 071C33 MDSKS□□ 071-33 180
206	202	1.9	17.809	406	9325	304	9325	518	154	1.21E-03	GKS06 - 3S □□□ 071C33 MDSKS□□ 071-33 180
302	138	1.7	26.017	593	9325	444	9325	679	99	1.19E-03	GKS06 - 3S □□□ 071C33 MDSKS□□ 071-33 180
331	126	1.5	28.461	649	9325	486	9325	682	90	1.17E-03	GKS06 - 3S □□□ 071C33 MDSKS□□ 071-33 180
374	112	1.2	32.063	731	9325	547	9325	610	71	1.16E-03	GKS06 - 3S □□□ 071C33 MDSKS□□ 071-33 180
423	99	1.2	36.303	827	9325	619	9325	685	72	1.12E-03	GKS06 - 3S □□□ 071C33 MDSKS□□ 071-33 180
519	81	1.1	44.471	1013	9325	759	9325	689	66	1.09E-03	GKS06 - 3S □□□ 071C33 MDSKS□□ 071-33 180

Observe the notes for thermal dimensioning.

Selection tables - Helical-bevel gearboxes

Naturally ventilated synchronous geared servo motors

M ₂ [Nm]	n ₂ trans [rpm]	c	i	M ₂ max short-time on geared motor at				M ₂ Gr gearbox c=1 n ₁ ≤ 1400 rpm [Nm]	n ₂ therm [rpm]	J _G M referred to motor shaft [kgm ²]	Helical-bevel geared servo motor Dimensions on Page 6-88
				8 kHz		16 kHz					
				M ₂ max [Nm]	Type EVS	M ₂ max [Nm]	Type EVS				
268	37	2.1	103.721	448	9322	519	9323	685	37	1.70E-04	GKS06 - 4S □□□ 056C23 MDSKS□□ 056-23 190
294	34	1.7	113.205	489	9322	567	9323	537	34	1.63E-04	GKS06 - 4S □□□ 056C23 MDSKS□□ 056-23 190
329	30	1.9	127.059	549	9322	636	9323	689	30	1.66E-04	GKS06 - 4S □□□ 056C23 MDSKS□□ 056-23 190
367	27	1.3	140.816	609	9322	705	9323	537	27	1.61E-04	GKS06 - 4S □□□ 056C23 MDSKS□□ 056-23 190
404	24	1.6	155.647	673	9322	779	9323	689	24	1.59E-04	GKS06 - 4S □□□ 056C23 MDSKS□□ 056-23 190
455	22	1.1	174.336	754	9322	806	9323	537	22	1.51E-04	GKS06 - 4S □□□ 056C23 MDSKS□□ 056-23 190
528	19	1.2	202.588	876	9322	1014	9323	695	19	1.57E-04	GKS06 - 4S □□□ 056C23 MDSKS□□ 056-23 190
405	39	1.4	103.721	666	9323	868	9324	685	39	2.30E-04	GKS06 - 4S □□□ 056C33 MDSKS□□ 056-33 200
443	35	1.1	113.205	727	9323	806	9324	537	35	2.23E-04	GKS06 - 4S □□□ 056C33 MDSKS□□ 056-33 200
497	31	1.3	127.059	816	9323	1034	9324	689	31	2.26E-04	GKS06 - 4S □□□ 056C33 MDSKS□□ 056-33 200
610	26	1.0	155.647	1000	9323	1034	9324	689	26	2.19E-04	GKS06 - 4S □□□ 056C33 MDSKS□□ 056-33 200
552	33	1.1	103.721	776	9323	1026	9324	685	33	6.30E-04	GKS06 - 4S □□□ 071C03 MDSKS□□ 071-03 170
237	41	4.4	92.563	407	9322	471	9323	1296	41	2.21E-04	GKS07 - 3S □□□ 056C23 MDSKS□□ 056-23 190
270	36	3.7	104.296	459	9322	531	9323	1215	36	2.20E-04	GKS07 - 3S □□□ 056C23 MDSKS□□ 056-23 190
289	34	4.1	112.338	494	9322	572	9323	1330	34	1.99E-04	GKS07 - 3S □□□ 056C23 MDSKS□□ 056-23 190
328	30	3.3	126.578	557	9322	644	9323	1215	30	1.99E-04	GKS07 - 3S □□□ 056C23 MDSKS□□ 056-23 190
483	21	2.5	184.600	812	9322	940	9323	1330	21	2.09E-04	GKS07 - 3S □□□ 056C23 MDSKS□□ 056-23 190
547	18	2.0	208.000	915	9322	1059	9323	1215	18	2.09E-04	GKS07 - 3S □□□ 056C23 MDSKS□□ 056-23 190
589	17	2.1	224.037	985	9322	1141	9323	1330	17	1.91E-04	GKS07 - 3S □□□ 056C23 MDSKS□□ 056-23 190
667	15	1.7	252.436	1110	9322	1285	9323	1215	15	1.91E-04	GKS07 - 3S □□□ 056C23 MDSKS□□ 056-23 190
748	13	1.6	283.193	1245	9322	1442	9323	1330	13	1.73E-04	GKS07 - 3S □□□ 056C23 MDSKS□□ 056-23 190
846	12	1.3	319.091	1403	9322	1625	9323	1215	12	1.73E-04	GKS07 - 3S □□□ 056C23 MDSKS□□ 056-23 190
362	43	2.9	92.563	605	9323	788	9324	1296	43	2.81E-04	GKS07 - 3S □□□ 056C33 MDSKS□□ 056-33 200
410	38	2.4	104.296	682	9323	888	9324	1215	38	2.80E-04	GKS07 - 3S □□□ 056C33 MDSKS□□ 056-33 200
440	36	2.7	112.338	734	9323	956	9324	1330	36	2.59E-04	GKS07 - 3S □□□ 056C33 MDSKS□□ 056-33 200
499	32	2.2	126.578	827	9323	1077	9324	1215	32	2.59E-04	GKS07 - 3S □□□ 056C33 MDSKS□□ 056-33 200
731	22	1.6	184.600	1206	9323	1571	9324	1330	22	2.69E-04	GKS07 - 3S □□□ 056C33 MDSKS□□ 056-33 200
827	19	1.3	208.000	1359	9323	1770	9324	1215	19	2.69E-04	GKS07 - 3S □□□ 056C33 MDSKS□□ 056-33 200
890	18	1.4	224.037	1464	9323	1907	9324	1330	18	2.51E-04	GKS07 - 3S □□□ 056C33 MDSKS□□ 056-33 200
1006	16	1.1	252.436	1650	9323	1823	9324	1215	16	2.51E-04	GKS07 - 3S □□□ 056C33 MDSKS□□ 056-33 200
1129	14	1.1	283.193	1851	9323	1995	9324	1330	14	2.33E-04	GKS07 - 3S □□□ 056C33 MDSKS□□ 056-33 200
187	94	5.0	36.063	274	9323	363	9324	1290	94	9.65E-04	GKS07 - 3S □□□ 071C03 MDSKS□□ 071-03 170
303	59	3.6	57.501	438	9323	578	9324	1310	59	7.75E-04	GKS07 - 3S □□□ 071C03 MDSKS□□ 071-03 170
344	52	2.9	64.790	493	9323	652	9324	1195	52	7.73E-04	GKS07 - 3S □□□ 071C03 MDSKS□□ 071-03 170

Observe the notes for thermal dimensioning.

Selection tables - Helical-bevel gearboxes

Naturally ventilated synchronous geared servo motors



M ₂ [Nm]	n _{2 trans} [rpm]	c	i	M _{2 max} short-time on geared motor at				M _{2 Gr} gearbox c=1 n ₁ ≤ 1400 rpm [Nm]	n _{2 therm} [rpm]	J _{GM} referred to motor shaft [kgm ²]	Helical-bevel geared servo motor Dimensions on Page 6-88
				8 kHz		16 kHz					
				M _{2 max} [Nm]	Type EVS	M _{2 max} [Nm]	Type EVS				
374	48	3.0	70.474	536	9323	709	9324	1320	48	7.29E-04	GKS07 - 3S □□□ 071C03 MDSKS□□ 071-03 170
423	43	2.4	79.407	604	9323	799	9324	1205	43	7.28E-04	GKS07 - 3S □□□ 071C03 MDSKS□□ 071-03 170
494	37	2.3	92.563	704	9323	931	9324	1330	37	6.81E-04	GKS07 - 3S □□□ 071C03 MDSKS□□ 071-03 170
560	33	1.9	104.296	794	9323	1049	9324	1215	33	6.80E-04	GKS07 - 3S □□□ 071C03 MDSKS□□ 071-03 170
601	30	2.1	112.338	855	9323	1130	9324	1330	30	6.59E-04	GKS07 - 3S □□□ 071C03 MDSKS□□ 071-03 170
680	27	1.7	126.578	963	9323	1273	9324	1215	27	6.59E-04	GKS07 - 3S □□□ 071C03 MDSKS□□ 071-03 170
756	24	1.7	140.548	1069	9323	1414	9324	1330	24	7.11E-04	GKS07 - 3S □□□ 071C03 MDSKS□□ 071-03 170
854	21	1.4	158.364	1205	9323	1593	9324	1215	21	7.11E-04	GKS07 - 3S □□□ 071C03 MDSKS□□ 071-03 170
997	18	1.3	184.600	1405	9323	1857	9324	1330	18	6.69E-04	GKS07 - 3S □□□ 071C03 MDSKS□□ 071-03 170
1126	16	1.0	208.000	1583	9323	1823	9324	1215	16	6.69E-04	GKS07 - 3S □□□ 071C03 MDSKS□□ 071-03 170
1212	15	1.1	224.037	1705	9323	1995	9324	1330	15	6.51E-04	GKS07 - 3S □□□ 071C03 MDSKS□□ 071-03 170
277	103	3.4	36.063	427	9324	588	9325	1290	89	1.16E-03	GKS07 - 3S □□□ 071C13 MDSKS□□ 071-13 185
447	64	2.4	57.501	680	9324	938	9325	1310	64	9.75E-04	GKS07 - 3S □□□ 071C13 MDSKS□□ 071-13 185
506	57	2.0	64.790	766	9324	1057	9325	1195	57	9.73E-04	GKS07 - 3S □□□ 071C13 MDSKS□□ 071-13 185
550	53	2.0	70.474	833	9324	1149	9325	1320	53	9.29E-04	GKS07 - 3S □□□ 071C13 MDSKS□□ 071-13 185
622	47	1.6	79.407	939	9324	1295	9325	1205	47	9.28E-04	GKS07 - 3S □□□ 071C13 MDSKS□□ 071-13 185
726	40	1.5	92.563	1095	9324	1510	9325	1330	40	8.81E-04	GKS07 - 3S □□□ 071C13 MDSKS□□ 071-13 185
820	35	1.2	104.296	1233	9324	1701	9325	1215	35	8.80E-04	GKS07 - 3S □□□ 071C13 MDSKS□□ 071-13 185
882	33	1.4	112.338	1329	9324	1832	9325	1330	33	8.59E-04	GKS07 - 3S □□□ 071C13 MDSKS□□ 071-13 185
996	29	1.1	126.578	1497	9324	1823	9325	1215	29	8.59E-04	GKS07 - 3S □□□ 071C13 MDSKS□□ 071-13 185
1107	26	1.1	140.548	1662	9324	1995	9325	1330	24	9.11E-04	GKS07 - 3S □□□ 071C13 MDSKS□□ 071-13 185
416	100	2.3	36.063	822	9325	615	9325	1290	82	1.36E-03	GKS07 - 3S □□□ 071C33 MDSKS□□ 071-33 180
667	63	1.7	57.501	1310	9325	981	9325	1310	61	1.17E-03	GKS07 - 3S □□□ 071C33 MDSKS□□ 071-33 180
754	56	1.3	64.790	1476	9325	1105	9325	1195	48	1.17E-03	GKS07 - 3S □□□ 071C33 MDSKS□□ 071-33 180
820	51	1.4	70.474	1606	9325	1202	9325	1320	51	1.13E-03	GKS07 - 3S □□□ 071C33 MDSKS□□ 071-33 180
927	45	1.1	79.407	1808	9325	1355	9325	1205	42	1.13E-03	GKS07 - 3S □□□ 071C33 MDSKS□□ 071-33 180
1081	39	1.0	92.563	1995	9325	1579	9325	1330	39	1.08E-03	GKS07 - 3S □□□ 071C33 MDSKS□□ 071-33 180
261	37	4.0	103.039	445	9322	516	9323	1290	37	2.24E-04	GKS07 - 4S □□□ 056C23 MDSKS□□ 056-23 190
287	34	3.3	112.391	486	9322	563	9323	1053	34	2.03E-04	GKS07 - 4S □□□ 056C23 MDSKS□□ 056-23 190
321	30	3.6	126.222	546	9322	632	9323	1300	30	2.13E-04	GKS07 - 4S □□□ 056C23 MDSKS□□ 056-23 190
354	28	2.7	137.748	596	9322	689	9323	1053	28	1.97E-04	GKS07 - 4S □□□ 056C23 MDSKS□□ 056-23 190
396	25	3.0	154.622	668	9322	774	9323	1300	25	1.93E-04	GKS07 - 4S □□□ 056C23 MDSKS□□ 056-23 190
463	21	2.1	179.201	775	9322	897	9323	1053	21	1.68E-04	GKS07 - 4S □□□ 056C23 MDSKS□□ 056-23 190
519	19	2.3	201.254	870	9322	1007	9323	1310	19	1.85E-04	GKS07 - 4S □□□ 056C23 MDSKS□□ 056-23 190

Observe the notes for thermal dimensioning.

Selection tables - Helical-bevel gearboxes

Naturally ventilated synchronous geared servo motors

M ₂ [Nm]	n ₂ trans [rpm]	c	i	M ₂ max short-time on geared motor at				M ₂ Gr gearbox c=1 n ₁ ≤ 1400 rpm [Nm]	n ₂ therm [rpm]	J _{GM} referred to motor shaft [kgm ²]	Helical-bevel geared servo motor Dimensions on Page 6-88
				8 kHz		16 kHz					
				M ₂ max [Nm]	Type EVS	M ₂ max [Nm]	Type EVS				
579	17	1.7	222.909	964	9322	1116	9323	1053	17	1.60E-04	GKS07 - 4S □□□ 056C23 MDSKS□□ 056-23 190
639	15	1.9	246.659	1066	9322	1235	9323	1320	15	1.82E-04	GKS07 - 4S □□□ 056C23 MDSKS□□ 056-23 190
711	14	1.4	273.199	1181	9322	1367	9323	1053	14	1.58E-04	GKS07 - 4S □□□ 056C23 MDSKS□□ 056-23 190
835	12	1.5	321.049	1388	9322	1607	9323	1320	12	1.66E-04	GKS07 - 4S □□□ 056C23 MDSKS□□ 056-23 190
938	11	1.0	358.829	1551	9322	1580	9323	1053	11	1.57E-04	GKS07 - 4S □□□ 056C23 MDSKS□□ 056-23 190
1042	9.5	1.2	399.353	1726	9322	1980	9323	1320	9.5	1.58E-04	GKS07 - 4S □□□ 056C23 MDSKS□□ 056-23 190
397	39	2.6	103.039	662	9323	862	9324	1290	39	2.84E-04	GKS07 - 4S □□□ 056C33 MDSKS□□ 056-33 200
435	36	2.2	112.391	722	9323	940	9324	1053	36	2.63E-04	GKS07 - 4S □□□ 056C33 MDSKS□□ 056-33 200
488	32	2.4	126.222	811	9323	1056	9324	1300	32	2.73E-04	GKS07 - 4S □□□ 056C33 MDSKS□□ 056-33 200
536	29	1.8	137.748	885	9323	1152	9324	1053	29	2.57E-04	GKS07 - 4S □□□ 056C33 MDSKS□□ 056-33 200
600	26	1.9	154.622	993	9323	1294	9324	1300	26	2.53E-04	GKS07 - 4S □□□ 056C33 MDSKS□□ 056-33 200
700	22	1.4	179.201	1151	9323	1499	9324	1053	22	2.28E-04	GKS07 - 4S □□□ 056C33 MDSKS□□ 056-33 200
785	20	1.5	201.254	1293	9323	1684	9324	1310	20	2.45E-04	GKS07 - 4S □□□ 056C33 MDSKS□□ 056-33 200
873	18	1.1	222.909	1432	9323	1580	9324	1053	18	2.20E-04	GKS07 - 4S □□□ 056C33 MDSKS□□ 056-33 200
965	16	1.2	246.659	1585	9323	1980	9324	1320	16	2.42E-04	GKS07 - 4S □□□ 056C33 MDSKS□□ 056-33 200
542	33	2.0	103.039	771	9323	1019	9324	1290	33	6.84E-04	GKS07 - 4S □□□ 071C03 MDSKS□□ 071-03 170
594	30	1.7	112.391	841	9323	1111	9324	1053	30	6.63E-04	GKS07 - 4S □□□ 071C03 MDSKS□□ 071-03 170
666	27	1.9	126.222	944	9323	1248	9324	1300	27	6.73E-04	GKS07 - 4S □□□ 071C03 MDSKS□□ 071-03 170
730	25	1.4	137.748	1030	9323	1362	9324	1053	25	6.57E-04	GKS07 - 4S □□□ 071C03 MDSKS□□ 071-03 170
818	22	1.5	154.622	1156	9323	1529	9324	1300	22	6.53E-04	GKS07 - 4S □□□ 071C03 MDSKS□□ 071-03 170
953	19	1.1	179.201	1340	9323	1580	9324	1053	19	6.28E-04	GKS07 - 4S □□□ 071C03 MDSKS□□ 071-03 170
1069	17	1.2	201.254	1505	9323	1965	9324	1310	17	6.45E-04	GKS07 - 4S □□□ 071C03 MDSKS□□ 071-03 170
795	36	1.4	103.039	1198	9324	1652	9325	1290	36	8.84E-04	GKS07 - 4S □□□ 071C13 MDSKS□□ 071-13 185
870	33	1.1	112.391	1307	9324	1580	9325	1053	33	8.63E-04	GKS07 - 4S □□□ 071C13 MDSKS□□ 071-13 185
976	29	1.2	126.222	1467	9324	1950	9325	1300	29	8.73E-04	GKS07 - 4S □□□ 071C13 MDSKS□□ 071-13 185
1198	24	1.0	154.622	1797	9324	1950	9325	1300	24	8.53E-04	GKS07 - 4S □□□ 071C13 MDSKS□□ 071-13 185
824	12	3.3	323.365	1398	9322	1618	9323	3031	12	2.11E-04	GKS09 - 4S □□□ 056C23 MDSKS□□ 056-23 190
933	10	3.0	364.427	1576	9322	1824	9323	3071	10	2.11E-04	GKS09 - 4S □□□ 056C23 MDSKS□□ 056-23 190
1033	9.5	2.7	402.234	1739	9322	2013	9323	3031	9.5	1.91E-04	GKS09 - 4S □□□ 056C23 MDSKS□□ 056-23 190
1167	8.4	2.4	453.311	1960	9322	2269	9323	3071	8.4	1.91E-04	GKS09 - 4S □□□ 056C23 MDSKS□□ 056-23 190
1345	7.3	2.1	520.538	2250	9322	2605	9323	3031	7.3	1.87E-04	GKS09 - 4S □□□ 056C23 MDSKS□□ 056-23 190
1520	6.5	1.9	586.638	2536	9322	2936	9323	3080	6.5	1.86E-04	GKS09 - 4S □□□ 056C23 MDSKS□□ 056-23 190
1639	6.0	1.7	631.744	2731	9322	3162	9323	3031	6.0	1.84E-04	GKS09 - 4S □□□ 056C23 MDSKS□□ 056-23 190
1851	5.3	1.5	711.965	3078	9322	3563	9323	3080	5.3	1.84E-04	GKS09 - 4S □□□ 056C23 MDSKS□□ 056-23 190

Observe the notes for thermal dimensioning.

Selection tables - Helical-bevel gearboxes

Naturally ventilated synchronous geared servo motors



M ₂ [Nm]	n _{2 trans} [rpm]	c	i	M _{2 max} short-time on geared motor at				M _{2 Gr} gearbox c=1 n ₁ ≤ 1400 rpm [Nm]	n _{2 therm} [rpm]	J _{GM} referred to motor shaft [kgm ²]	Helical-bevel geared servo motor Dimensions on Page 6-88
				8 kHz		16 kHz					
				M _{2 max} [Nm]	Type EVS	M _{2 max} [Nm]	Type EVS				
2130	4.7	1.3	817.551	3534	9322	4092	9323	3031	4.7	1.68E-04	GKS09 - 4S □□□ 056C23 MDSKS□□ 056-23 190
2404	4.1	1.2	921.367	3983	9322	4611	9323	3080	4.1	1.68E-04	GKS09 - 4S □□□ 056C23 MDSKS□□ 056-23 190
2592	3.8	1.1	992.209	4289	9322	4547	9323	3031	3.8	1.60E-04	GKS09 - 4S □□□ 056C23 MDSKS□□ 056-23 190
381	40	4.1	100.551	646	9323	841	9324	1973	40	4.48E-04	GKS09 - 4S □□□ 056C33 MDSKS□□ 056-33 200
428	35	4.5	113.320	728	9323	948	9324	2224	35	4.46E-04	GKS09 - 4S □□□ 056C33 MDSKS□□ 056-33 200
465	32	4.5	123.275	792	9323	1031	9324	2419	32	4.11E-04	GKS09 - 4S □□□ 056C33 MDSKS□□ 056-33 200
524	29	4.5	138.929	893	9323	1162	9324	2726	29	4.09E-04	GKS09 - 4S □□□ 056C33 MDSKS□□ 056-33 200
1252	12	2.2	323.365	2077	9323	2705	9324	3031	12	2.71E-04	GKS09 - 4S □□□ 056C33 MDSKS□□ 056-33 200
1415	11	2.0	364.427	2341	9323	3049	9324	3071	11	2.71E-04	GKS09 - 4S □□□ 056C33 MDSKS□□ 056-33 200
1565	9.9	1.7	402.234	2584	9323	3365	9324	3031	9.9	2.51E-04	GKS09 - 4S □□□ 056C33 MDSKS□□ 056-33 200
1767	8.8	1.6	453.311	2912	9323	3792	9324	3071	8.8	2.51E-04	GKS09 - 4S □□□ 056C33 MDSKS□□ 056-33 200
2034	7.7	1.3	520.538	3344	9323	4355	9324	3031	7.7	2.47E-04	GKS09 - 4S □□□ 056C33 MDSKS□□ 056-33 200
2295	6.8	1.2	586.638	3769	9323	4620	9324	3080	6.8	2.46E-04	GKS09 - 4S □□□ 056C33 MDSKS□□ 056-33 200
2474	6.3	1.1	631.744	4058	9323	4547	9324	3031	6.3	2.44E-04	GKS09 - 4S □□□ 056C33 MDSKS□□ 056-33 200
2792	5.6	1.0	711.965	4574	9323	4620	9324	3080	5.6	2.44E-04	GKS09 - 4S □□□ 056C33 MDSKS□□ 056-33 200
513	34	4.9	100.551	752	9323	994	9324	3029	34	8.48E-04	GKS09 - 4S □□□ 071C03 MDSKS□□ 071-03 170
579	30	4.8	113.320	848	9323	1121	9324	3002	30	8.46E-04	GKS09 - 4S □□□ 071C03 MDSKS□□ 071-03 170
632	28	4.4	123.275	922	9323	1219	9324	3024	28	8.11E-04	GKS09 - 4S □□□ 071C03 MDSKS□□ 071-03 170
716	24	3.9	138.929	1039	9323	1374	9324	3017	24	8.09E-04	GKS09 - 4S □□□ 071C03 MDSKS□□ 071-03 170
781	23	3.6	151.012	1129	9323	1493	9324	3024	23	7.52E-04	GKS09 - 4S □□□ 071C03 MDSKS□□ 071-03 170
884	20	3.2	170.188	1273	9323	1683	9324	3017	20	7.51E-04	GKS09 - 4S □□□ 071C03 MDSKS□□ 071-03 170
1069	17	2.7	204.596	1530	9323	2023	9324	3031	17	7.24E-04	GKS09 - 4S □□□ 071C03 MDSKS□□ 071-03 170
1209	15	2.4	230.577	1725	9323	2280	9324	3048	15	7.24E-04	GKS09 - 4S □□□ 071C03 MDSKS□□ 071-03 170
1305	14	2.2	248.439	1858	9323	2457	9324	3031	14	7.13E-04	GKS09 - 4S □□□ 071C03 MDSKS□□ 071-03 170
1475	12	2.0	279.986	2094	9323	2769	9324	3071	12	7.12E-04	GKS09 - 4S □□□ 071C03 MDSKS□□ 071-03 170
1708	11	1.7	323.365	2419	9323	3197	9324	3031	11	6.71E-04	GKS09 - 4S □□□ 071C03 MDSKS□□ 071-03 170
1929	9.3	1.5	364.427	2726	9323	3604	9324	3071	9.3	6.71E-04	GKS09 - 4S □□□ 071C03 MDSKS□□ 071-03 170
2133	8.5	1.4	402.234	3008	9323	3977	9324	3031	8.5	6.51E-04	GKS09 - 4S □□□ 071C03 MDSKS□□ 071-03 170
2407	7.5	1.2	453.311	3390	9323	4482	9324	3071	7.5	6.51E-04	GKS09 - 4S □□□ 071C03 MDSKS□□ 071-03 170
2769	6.5	1.0	520.538	3893	9323	4547	9324	3031	6.5	6.47E-04	GKS09 - 4S □□□ 071C03 MDSKS□□ 071-03 170
760	37	3.3	100.551	1169	9324	1612	9325	3029	37	1.05E-03	GKS09 - 4S □□□ 071C13 MDSKS□□ 071-13 185
858	33	3.2	113.320	1317	9324	1817	9325	3002	33	1.05E-03	GKS09 - 4S □□□ 071C13 MDSKS□□ 071-13 185
935	30	3.0	123.275	1433	9324	1976	9325	3024	30	1.01E-03	GKS09 - 4S □□□ 071C13 MDSKS□□ 071-13 185
1058	27	2.6	138.929	1615	9324	2227	9325	3017	27	1.01E-03	GKS09 - 4S □□□ 071C13 MDSKS□□ 071-13 185

Observe the notes for thermal dimensioning.

Selection tables - Helical-bevel gearboxes

Naturally ventilated synchronous geared servo motors

M ₂ [Nm]	n _{2 trans} [rpm]	c	i	M _{2 max} short-time on geared motor at				M _{2 Gr} gearbox c=1 n ₁ ≤1400 rpm [Nm]	n _{2 therm} [rpm]	J _{GM} referred to motor shaft [kgm ²]	Helical-bevel geared servo motor Dimensions on Page 6-88
				8 kHz		16 kHz					
				M _{2 max} [Nm]	Type EVS	M _{2 max} [Nm]	Type EVS				
1153	25	2.4	151.012	1756	9324	2421	9325	3024	25	9.52E-04	GKS09 - 4S □□□ 071C13 MDSKS□□ 071-13 185
1303	22	2.1	170.188	1978	9324	2728	9325	3017	22	9.51E-04	GKS09 - 4S □□□ 071C13 MDSKS□□ 071-13 185
1572	18	1.8	204.596	2378	9324	3280	9325	3031	18	9.24E-04	GKS09 - 4S □□□ 071C13 MDSKS□□ 071-13 185
1776	16	1.6	230.577	2680	9324	3697	9325	3048	16	9.24E-04	GKS09 - 4S □□□ 071C13 MDSKS□□ 071-13 185
1916	15	1.5	248.439	2888	9324	3983	9325	3031	15	9.13E-04	GKS09 - 4S □□□ 071C13 MDSKS□□ 071-13 185
2162	13	1.3	279.986	3255	9324	4489	9325	3071	13	9.12E-04	GKS09 - 4S □□□ 071C13 MDSKS□□ 071-13 185
2503	11	1.1	323.365	3759	9324	4547	9325	3031	11	8.71E-04	GKS09 - 4S □□□ 071C13 MDSKS□□ 071-13 185
2824	10	1.0	364.427	4236	9324	4607	9325	3071	10	8.71E-04	GKS09 - 4S □□□ 071C13 MDSKS□□ 071-13 185
1140	36	2.2	100.551	2252	9325	1686	9325	3029	36	1.25E-03	GKS09 - 4S □□□ 071C33 MDSKS□□ 071-33 180
1285	32	2.2	113.320	2538	9325	1900	9325	3002	32	1.25E-03	GKS09 - 4S □□□ 071C33 MDSKS□□ 071-33 180
1400	29	2.0	123.275	2761	9325	2067	9325	3024	29	1.21E-03	GKS09 - 4S □□□ 071C33 MDSKS□□ 071-33 180
1582	26	1.8	138.929	3112	9325	2330	9325	3017	26	1.21E-03	GKS09 - 4S □□□ 071C33 MDSKS□□ 071-33 180
1722	24	1.6	151.012	3383	9325	2532	9325	3024	24	1.15E-03	GKS09 - 4S □□□ 071C33 MDSKS□□ 071-33 180
1945	21	1.5	170.188	3812	9325	2854	9325	3017	21	1.15E-03	GKS09 - 4S □□□ 071C33 MDSKS□□ 071-33 180
2344	18	1.2	204.596	4547	9325	3431	9325	3031	18	1.12E-03	GKS09 - 4S □□□ 071C33 MDSKS□□ 071-33 180
2646	16	1.1	230.577	4572	9325	3867	9325	3048	16	1.12E-03	GKS09 - 4S □□□ 071C33 MDSKS□□ 071-33 180
2098	4.7	2.6	816.455	3530	9322	4086	9323	5975	4.7	2.22E-04	GKS11 - 4S □□□ 056C23 MDSKS□□ 056-23 190
2371	4.1	2.3	919.949	3977	9322	4604	9323	6072	4.1	2.22E-04	GKS11 - 4S □□□ 056C23 MDSKS□□ 056-23 190
2559	3.8	2.1	990.879	4284	9322	4959	9323	5975	3.8	2.00E-04	GKS11 - 4S □□□ 056C23 MDSKS□□ 056-23 190
2890	3.4	1.9	1116.484	4827	9322	5588	9323	6072	3.4	2.00E-04	GKS11 - 4S □□□ 056C23 MDSKS□□ 056-23 190
3251	3.0	1.7	1252.516	5415	9322	6269	9323	5975	3.0	1.79E-04	GKS11 - 4S □□□ 056C23 MDSKS□□ 056-23 190
3669	2.7	1.5	1411.286	6101	9322	7063	9323	6072	2.7	1.79E-04	GKS11 - 4S □□□ 056C23 MDSKS□□ 056-23 190
3178	4.9	1.7	816.455	5245	9323	6831	9324	5975	4.9	2.82E-04	GKS11 - 4S □□□ 056C33 MDSKS□□ 056-33 200
3587	4.4	1.5	919.949	5910	9323	7696	9324	6072	4.4	2.82E-04	GKS11 - 4S □□□ 056C33 MDSKS□□ 056-33 200
3869	4.0	1.4	990.879	6365	9323	8290	9324	5975	4.0	2.60E-04	GKS11 - 4S □□□ 056C33 MDSKS□□ 056-33 200
4366	3.6	1.3	1116.484	7172	9323	9108	9324	6072	3.6	2.60E-04	GKS11 - 4S □□□ 056C33 MDSKS□□ 056-33 200
4906	3.2	1.1	1252.516	8046	9323	8963	9324	5975	3.2	2.39E-04	GKS11 - 4S □□□ 056C33 MDSKS□□ 056-33 200
1676	11	3.3	322.931	2415	9323	3193	9324	5973	11	8.09E-04	GKS11 - 4S □□□ 071C03 MDSKS□□ 071-03 170
1895	9.3	3.0	363.866	2721	9323	3598	9324	6032	9.3	8.08E-04	GKS11 - 4S □□□ 071C03 MDSKS□□ 071-03 170
2068	8.6	2.7	395.787	2960	9323	3914	9324	5973	8.6	7.52E-04	GKS11 - 4S □□□ 071C03 MDSKS□□ 071-03 170
2337	7.6	2.4	445.958	3335	9323	4410	9324	6032	7.6	7.52E-04	GKS11 - 4S □□□ 071C03 MDSKS□□ 071-03 170
2694	6.6	2.1	512.196	3831	9323	5065	9324	5975	6.6	7.39E-04	GKS11 - 4S □□□ 071C03 MDSKS□□ 071-03 170
3042	5.9	1.9	577.122	4316	9323	5707	9324	6072	5.9	7.38E-04	GKS11 - 4S □□□ 071C03 MDSKS□□ 071-03 170
3282	5.5	1.7	621.619	4649	9323	6147	9324	5975	5.5	7.31E-04	GKS11 - 4S □□□ 071C03 MDSKS□□ 071-03 170

Observe the notes for thermal dimensioning.

Selection tables - Helical-bevel gearboxes

Naturally ventilated synchronous geared servo motors



M ₂ [Nm]	n _{2 trans} [rpm]	c	i	M _{2 max} short-time on geared motor at				M _{2 Gr} gearbox c=1 n ₁ ≤ 1400 rpm [Nm]	n _{2 therm} [rpm]	J _{GM} referred to motor shaft [kgm ²]	Helical-bevel geared servo motor Dimensions on Page 6-88
				8 kHz		16 kHz					
				M _{2 max} [Nm]	Type EVS	M _{2 max} [Nm]	Type EVS				
3705	4.9	1.6	700.416	5238	9323	6926	9324	6072	4.9	7.31E-04	GKS11 - 4S □□□ 071C03 MDSKS□□ 071-03 170
4330	4.2	1.3	816.455	6106	9323	8073	9324	5975	4.2	6.82E-04	GKS11 - 4S □□□ 071C03 MDSKS□□ 071-03 170
4886	3.7	1.2	919.949	6880	9323	9097	9324	6072	3.7	6.82E-04	GKS11 - 4S □□□ 071C03 MDSKS□□ 071-03 170
5269	3.4	1.1	990.879	7411	9323	8963	9324	5975	3.4	6.60E-04	GKS11 - 4S □□□ 071C03 MDSKS□□ 071-03 170
764	36	4.3	102.119	1187	9324	1637	9325	4012	36	1.53E-03	GKS11 - 4S □□□ 071C13 MDSKS□□ 071-13 185
856	32	4.7	115.063	1338	9324	1845	9325	4520	32	1.52E-03	GKS11 - 4S □□□ 071C13 MDSKS□□ 071-13 185
931	30	4.7	125.095	1454	9324	2006	9325	4914	30	1.42E-03	GKS11 - 4S □□□ 071C13 MDSKS□□ 071-13 185
1049	26	4.7	140.952	1639	9324	2260	9325	5537	26	1.42E-03	GKS11 - 4S □□□ 071C13 MDSKS□□ 071-13 185
2470	11	2.2	322.931	3754	9324	5177	9325	5973	11	1.01E-03	GKS11 - 4S □□□ 071C13 MDSKS□□ 071-13 185
2790	10	2.0	363.866	4230	9324	5834	9325	6032	10	1.01E-03	GKS11 - 4S □□□ 071C13 MDSKS□□ 071-13 185
3040	9.4	1.8	395.787	4601	9324	6345	9325	5973	9.4	9.52E-04	GKS11 - 4S □□□ 071C13 MDSKS□□ 071-13 185
3433	8.3	1.6	445.958	5184	9324	7150	9325	6032	8.3	9.52E-04	GKS11 - 4S □□□ 071C13 MDSKS□□ 071-13 185
3952	7.2	1.4	512.196	5954	9324	8212	9325	5975	7.2	9.39E-04	GKS11 - 4S □□□ 071C13 MDSKS□□ 071-13 185
4460	6.4	1.3	577.122	6709	9324	9108	9325	6072	6.4	9.38E-04	GKS11 - 4S □□□ 071C13 MDSKS□□ 071-13 185
4809	6.0	1.2	621.619	7226	9324	8963	9325	5975	6.0	9.31E-04	GKS11 - 4S □□□ 071C13 MDSKS□□ 071-13 185
5426	5.3	1.0	700.416	8142	9324	9108	9325	6072	5.3	9.31E-04	GKS11 - 4S □□□ 071C13 MDSKS□□ 071-13 185
1149	35	2.9	102.119	2287	9325	1713	9325	4012	35	1.73E-03	GKS11 - 4S □□□ 071C33 MDSKS□□ 071-33 180
1290	31	3.2	115.063	2577	9325	1930	9325	4520	31	1.72E-03	GKS11 - 4S □□□ 071C33 MDSKS□□ 071-33 180
1403	29	3.2	125.095	2802	9325	2098	9325	4914	29	1.62E-03	GKS11 - 4S □□□ 071C33 MDSKS□□ 071-33 180
1580	26	3.2	140.952	3157	9325	2364	9325	5537	26	1.62E-03	GKS11 - 4S □□□ 071C33 MDSKS□□ 071-33 180
3688	11	1.5	322.931	7234	9325	5415	9325	5973	11	1.21E-03	GKS11 - 4S □□□ 071C33 MDSKS□□ 071-33 180
4163	9.9	1.4	363.866	8151	9325	6102	9325	6032	9.9	1.21E-03	GKS11 - 4S □□□ 071C33 MDSKS□□ 071-33 180
4534	9.1	1.2	395.787	8866	9325	6637	9325	5973	9.1	1.15E-03	GKS11 - 4S □□□ 071C33 MDSKS□□ 071-33 180
5116	8.1	1.1	445.958	9048	9325	7479	9325	6032	8.1	1.15E-03	GKS11 - 4S □□□ 071C33 MDSKS□□ 071-33 180

Observe the notes for thermal dimensioning.

Selection tables - Helical-bevel gearboxes

Forced ventilated synchronous geared servo motors

M ₂ [Nm]	n ₂ trans [rpm]	c	i	M ₂ max short-time on geared motor at				M ₂ Gr gearbox c=1 n ₁ ≤ 1400 rpm [Nm]	n ₂ therm [rpm]	J _G M referred to motor shaft [kgm ²]	Helical-bevel geared servo motor Dimensions on Page 6-88
				8 kHz		16 kHz					
				M ₂ max [Nm]	Type EVS	M ₂ max [Nm]	Type EVS				
36	644	1.7	5.123	67	9324	52	9324	81	541	7.17E-04	GKS04 - 3S □□□ 071C03 MDFKS□□ 071-03 165
50	470	1.4	7.025	91	9324	71	9324	93	413	6.68E-04	GKS04 - 3S □□□ 071C03 MDFKS□□ 071-03 165
58	404	1.7	8.167	106	9324	82	9324	128	339	6.86E-04	GKS04 - 3S □□□ 071C03 MDFKS□□ 071-03 165
64	367	1.2	8.991	117	9324	90	9324	103	353	6.44E-04	GKS04 - 3S □□□ 071C03 MDFKS□□ 071-03 165
70	336	1.2	9.836	128	9324	99	9324	106	331	6.38E-04	GKS04 - 3S □□□ 071C03 MDFKS□□ 071-03 165
83	281	1.7	11.730	152	9324	118	9324	180	233	6.73E-04	GKS04 - 3S □□□ 071C03 MDFKS□□ 071-03 165
93	253	1.4	13.067	170	9324	131	9324	165	189	6.70E-04	GKS04 - 3S □□□ 071C03 MDFKS□□ 071-03 165
102	230	1.2	14.333	186	9324	144	9324	164	221	6.35E-04	GKS04 - 3S □□□ 071C03 MDFKS□□ 071-03 165
114	205	1.2	16.087	209	9324	162	9324	181	169	6.44E-04	GKS04 - 3S □□□ 071C03 MDFKS□□ 071-03 165
53	703	1.1	5.123	106	9325	84	9325	81	442	9.17E-04	GKS04 - 3S □□□ 071C13 MDFKS□□ 071-13 180
85	441	1.1	8.167	169	9325	133	9325	128	277	8.86E-04	GKS04 - 3S □□□ 071C13 MDFKS□□ 071-13 180
122	307	1.1	11.730	243	9325	191	9325	180	191	8.73E-04	GKS04 - 3S □□□ 071C13 MDFKS□□ 071-13 180
48	481	2.3	6.863	89	9324	69	9324	147	376	7.90E-04	GKS05 - 3S □□□ 071C03 MDFKS□□ 071-03 165
66	351	1.9	9.412	122	9324	95	9324	165	305	7.17E-04	GKS05 - 3S □□□ 071C03 MDFKS□□ 071-03 165
74	312	2.3	10.569	137	9324	106	9324	227	244	7.60E-04	GKS05 - 3S □□□ 071C03 MDFKS□□ 071-03 165
82	283	2.3	11.667	152	9324	117	9324	251	221	7.65E-04	GKS05 - 3S □□□ 071C03 MDFKS□□ 071-03 165
94	250	1.4	13.176	171	9324	133	9324	165	215	6.71E-04	GKS05 - 3S □□□ 071C03 MDFKS□□ 071-03 165
102	228	1.9	14.494	188	9324	146	9324	254	198	7.04E-04	GKS05 - 3S □□□ 071C03 MDFKS□□ 071-03 165
113	206	1.9	16.000	208	9324	161	9324	280	179	7.04E-04	GKS05 - 3S □□□ 071C03 MDFKS□□ 071-03 165
120	194	2.0	17.054	222	9324	172	9324	314	147	7.51E-04	GKS05 - 3S □□□ 071C03 MDFKS□□ 071-03 165
136	172	1.7	19.216	250	9324	193	9324	297	118	7.47E-04	GKS05 - 3S □□□ 071C03 MDFKS□□ 071-03 165
166	141	1.5	23.388	304	9324	235	9324	329	109	6.96E-04	GKS05 - 3S □□□ 071C03 MDFKS□□ 071-03 165
187	125	1.2	26.353	342	9324	265	9324	298	86	6.95E-04	GKS05 - 3S □□□ 071C03 MDFKS□□ 071-03 165
213	110	1.2	29.931	389	9324	301	9324	330	85	6.67E-04	GKS05 - 3S □□□ 071C03 MDFKS□□ 071-03 165
233	101	1.1	32.744	426	9324	329	9324	331	79	6.58E-04	GKS05 - 3S □□□ 071C03 MDFKS□□ 071-03 165
71	525	1.5	6.863	142	9325	112	9325	147	316	9.90E-04	GKS05 - 3S □□□ 071C13 MDFKS□□ 071-13 180
98	383	1.3	9.412	195	9325	154	9325	165	244	9.17E-04	GKS05 - 3S □□□ 071C13 MDFKS□□ 071-13 180
110	341	1.5	10.569	219	9325	172	9325	227	205	9.60E-04	GKS05 - 3S □□□ 071C13 MDFKS□□ 071-13 180
121	309	1.5	11.667	242	9325	190	9325	251	186	9.65E-04	GKS05 - 3S □□□ 071C13 MDFKS□□ 071-13 180
151	248	1.3	14.494	300	9325	236	9325	254	159	9.04E-04	GKS05 - 3S □□□ 071C13 MDFKS□□ 071-13 180
167	225	1.3	16.000	332	9325	261	9325	280	144	9.04E-04	GKS05 - 3S □□□ 071C13 MDFKS□□ 071-13 180
178	211	1.3	17.054	354	9325	278	9325	314	117	9.51E-04	GKS05 - 3S □□□ 071C13 MDFKS□□ 071-13 180
201	187	1.1	19.216	398	9325	313	9325	297	96	9.47E-04	GKS05 - 3S □□□ 071C13 MDFKS□□ 071-13 180
244	154	1.0	23.388	485	9325	381	9325	329	89	8.96E-04	GKS05 - 3S □□□ 071C13 MDFKS□□ 071-13 180

Observe the notes for thermal dimensioning.

Selection tables - Helical-bevel gearboxes

Forced ventilated synchronous geared servo motors



M ₂ [Nm]	n _{2 trans} [rpm]	c	i	M _{2 max} short-time on geared motor at				M _{2 Gr} gearbox c=1 n ₁ ≤ 1400 rpm [Nm]	n _{2 therm} [rpm]	J _{GM} referred to motor shaft [kgm ²]	Helical-bevel geared servo motor Dimensions on Page 6-88
				8 kHz		16 kHz					
				M _{2 max} [Nm]	Type EVS	M _{2 max} [Nm]	Type EVS				
106	510	1.1	6.863	156	9325	180	9326	147	264	1.19E-03	GKS05 - 3S □□□ 071C33 MDFKS□□ 071-33 175
163	331	1.1	10.569	241	9325	277	9326	227	171	1.16E-03	GKS05 - 3S □□□ 071C33 MDFKS□□ 071-33 175
179	300	1.1	11.667	266	9325	305	9326	251	155	1.16E-03	GKS05 - 3S □□□ 071C33 MDFKS□□ 071-33 175
79	290	3.1	11.382	148	9324	115	9324	331	275	8.49E-04	GKS06 - 3S □□□ 071C03 MDFKS□□ 071-03 165
124	185	3.1	17.809	231	9324	179	9324	518	176	8.13E-04	GKS06 - 3S □□□ 071C03 MDFKS□□ 071-03 165
182	127	2.8	26.017	338	9324	262	9324	679	118	7.94E-04	GKS06 - 3S □□□ 071C03 MDFKS□□ 071-03 165
199	116	2.6	28.461	370	9324	286	9324	682	109	7.67E-04	GKS06 - 3S □□□ 071C03 MDFKS□□ 071-03 165
226	103	2.1	32.063	417	9324	323	9324	610	92	7.63E-04	GKS06 - 3S □□□ 071C03 MDFKS□□ 071-03 165
256	91	2.0	36.303	472	9324	365	9324	685	91	7.18E-04	GKS06 - 3S □□□ 071C03 MDFKS□□ 071-03 165
314	74	1.9	44.471	578	9324	447	9324	689	74	6.90E-04	GKS06 - 3S □□□ 071C03 MDFKS□□ 071-03 165
376	62	1.6	53.074	690	9324	534	9324	695	47	7.52E-04	GKS06 - 3S □□□ 071C03 MDFKS□□ 071-03 165
410	57	1.5	57.882	752	9324	582	9324	695	57	6.58E-04	GKS06 - 3S □□□ 071C03 MDFKS□□ 071-03 165
464	51	1.2	65.207	847	9324	656	9324	624	51	6.57E-04	GKS06 - 3S □□□ 071C03 MDFKS□□ 071-03 165
512	46	1.2	72.000	936	9324	724	9324	702	46	6.42E-04	GKS06 - 3S □□□ 071C03 MDFKS□□ 071-03 165
118	316	2.1	11.382	236	9325	186	9325	331	252	1.05E-03	GKS06 - 3S □□□ 071C13 MDFKS□□ 071-13 180
184	202	2.1	17.809	369	9325	291	9325	518	161	1.01E-03	GKS06 - 3S □□□ 071C13 MDFKS□□ 071-13 180
269	138	1.9	26.017	539	9325	424	9325	679	105	9.94E-04	GKS06 - 3S □□□ 071C13 MDFKS□□ 071-13 180
295	126	1.7	28.461	590	9325	464	9325	682	95	9.67E-04	GKS06 - 3S □□□ 071C13 MDFKS□□ 071-13 180
334	112	1.4	32.063	665	9325	523	9325	610	75	9.63E-04	GKS06 - 3S □□□ 071C13 MDFKS□□ 071-13 180
378	99	1.3	36.303	752	9325	592	9325	685	75	9.18E-04	GKS06 - 3S □□□ 071C13 MDFKS□□ 071-13 180
463	81	1.3	44.471	922	9325	725	9325	689	69	8.90E-04	GKS06 - 3S □□□ 071C13 MDFKS□□ 071-13 180
554	68	1.1	53.074	1043	9325	866	9325	695	38	9.52E-04	GKS06 - 3S □□□ 071C13 MDFKS□□ 071-13 180
174	307	1.4	11.382	259	9325	298	9326	331	206	1.25E-03	GKS06 - 3S □□□ 071C33 MDFKS□□ 071-33 175
273	197	1.4	17.809	406	9325	466	9326	518	132	1.21E-03	GKS06 - 3S □□□ 071C33 MDFKS□□ 071-33 175
399	135	1.3	26.017	593	9325	681	9326	679	85	1.19E-03	GKS06 - 3S □□□ 071C33 MDFKS□□ 071-33 175
437	123	1.2	28.461	649	9325	745	9326	682	79	1.17E-03	GKS06 - 3S □□□ 071C33 MDFKS□□ 071-33 175
249	92	3.9	36.063	469	9324	363	9324	1290	91	9.65E-04	GKS07 - 3S □□□ 071C03 MDFKS□□ 071-03 165
402	57	2.8	57.501	747	9324	578	9324	1310	57	7.75E-04	GKS07 - 3S □□□ 071C03 MDFKS□□ 071-03 165
455	51	2.3	64.790	842	9324	652	9324	1195	51	7.73E-04	GKS07 - 3S □□□ 071C03 MDFKS□□ 071-03 165
495	47	2.3	70.474	916	9324	709	9324	1320	47	7.29E-04	GKS07 - 3S □□□ 071C03 MDFKS□□ 071-03 165
561	42	1.9	79.407	1032	9324	799	9324	1205	42	7.28E-04	GKS07 - 3S □□□ 071C03 MDFKS□□ 071-03 165
654	36	1.8	92.563	1203	9324	931	9324	1330	36	6.81E-04	GKS07 - 3S □□□ 071C03 MDFKS□□ 071-03 165
740	32	1.4	104.296	1355	9324	1049	9324	1215	32	6.80E-04	GKS07 - 3S □□□ 071C03 MDFKS□□ 071-03 165
795	29	1.6	112.338	1460	9324	1130	9324	1330	29	6.59E-04	GKS07 - 3S □□□ 071C03 MDFKS□□ 071-03 165

Observe the notes for thermal dimensioning.

Selection tables - Helical-bevel gearboxes

Forced ventilated synchronous geared servo motors

M ₂ [Nm]	n ₂ trans [rpm]	c	i	M ₂ max short-time on geared motor at				M ₂ Gr gearbox c=1 n ₁ ≤ 1400 rpm [Nm]	n ₂ therm [rpm]	J _{GM} referred to motor shaft [kgm ²]	Helical-bevel geared servo motor Dimensions on Page 6-88
				8 kHz		16 kHz					
				M ₂ max [Nm]	Type EVS	M ₂ max [Nm]	Type EVS				
899	26	1.3	126.578	1645	9324	1273	9324	1215	26	6.59E-04	GKS07 - 3S □□□ 071C03 MDFKS□□ 071-03 165
998	23	1.3	140.548	1826	9324	1414	9324	1330	23	7.11E-04	GKS07 - 3S □□□ 071C03 MDFKS□□ 071-03 165
1128	21	1.0	158.364	1823	9324	1593	9324	1215	20	7.11E-04	GKS07 - 3S □□□ 071C03 MDFKS□□ 071-03 165
371	100	2.6	36.063	748	9325	588	9325	1290	84	1.16E-03	GKS07 - 3S □□□ 071C13 MDFKS□□ 071-13 180
595	63	1.9	57.501	1192	9325	938	9325	1310	63	9.75E-04	GKS07 - 3S □□□ 071C13 MDFKS□□ 071-13 180
673	56	1.5	64.790	1343	9325	1057	9325	1195	51	9.73E-04	GKS07 - 3S □□□ 071C13 MDFKS□□ 071-13 180
732	51	1.5	70.474	1461	9325	1149	9325	1320	51	9.29E-04	GKS07 - 3S □□□ 071C13 MDFKS□□ 071-13 180
828	45	1.2	79.407	1646	9325	1295	9325	1205	44	9.28E-04	GKS07 - 3S □□□ 071C13 MDFKS□□ 071-13 180
965	39	1.2	92.563	1919	9325	1510	9325	1330	39	8.81E-04	GKS07 - 3S □□□ 071C13 MDFKS□□ 071-13 180
1173	32	1.1	112.338	1995	9325	1832	9325	1330	32	8.59E-04	GKS07 - 3S □□□ 071C13 MDFKS□□ 071-13 180
551	97	1.8	36.063	822	9325	944	9326	1290	74	1.36E-03	GKS07 - 3S □□□ 071C33 MDFKS□□ 071-33 175
882	61	1.3	57.501	1310	9325	1505	9326	1310	53	1.17E-03	GKS07 - 3S □□□ 071C33 MDFKS□□ 071-33 175
997	54	1.0	64.790	1476	9325	1696	9326	1195	43	1.17E-03	GKS07 - 3S □□□ 071C33 MDFKS□□ 071-33 175
1084	50	1.0	70.474	1606	9325	1844	9326	1320	46	1.13E-03	GKS07 - 3S □□□ 071C33 MDFKS□□ 071-33 175
717	32	1.6	103.039	1316	9324	1019	9324	1290	32	6.84E-04	GKS07 - 4S □□□ 071C03 MDFKS□□ 071-03 165
785	29	1.3	112.391	1436	9324	1111	9324	1053	29	6.63E-04	GKS07 - 4S □□□ 071C03 MDFKS□□ 071-03 165
880	26	1.4	126.222	1612	9324	1248	9324	1300	26	6.73E-04	GKS07 - 4S □□□ 071C03 MDFKS□□ 071-03 165
964	24	1.1	137.748	1580	9324	1362	9324	1053	24	6.57E-04	GKS07 - 4S □□□ 071C03 MDFKS□□ 071-03 165
1081	21	1.2	154.622	1950	9324	1529	9324	1300	21	6.53E-04	GKS07 - 4S □□□ 071C03 MDFKS□□ 071-03 165
1058	35	1.0	103.039	1935	9325	1652	9325	1290	35	8.84E-04	GKS07 - 4S □□□ 071C13 MDFKS□□ 071-13 180
683	33	3.8	100.551	1284	9324	994	9324	3029	33	8.48E-04	GKS09 - 4S □□□ 071C03 MDFKS□□ 071-03 165
771	29	3.7	113.320	1448	9324	1121	9324	3002	29	8.46E-04	GKS09 - 4S □□□ 071C03 MDFKS□□ 071-03 165
841	27	3.4	123.275	1575	9324	1219	9324	3024	27	8.11E-04	GKS09 - 4S □□□ 071C03 MDFKS□□ 071-03 165
952	24	3.0	138.929	1775	9324	1374	9324	3017	24	8.09E-04	GKS09 - 4S □□□ 071C03 MDFKS□□ 071-03 165
1037	22	2.8	151.012	1929	9324	1493	9324	3024	22	7.52E-04	GKS09 - 4S □□□ 071C03 MDFKS□□ 071-03 165
1173	19	2.5	170.188	2174	9324	1683	9324	3017	19	7.51E-04	GKS09 - 4S □□□ 071C03 MDFKS□□ 071-03 165
1417	16	2.0	204.596	2613	9324	2023	9324	3031	16	7.24E-04	GKS09 - 4S □□□ 071C03 MDFKS□□ 071-03 165
1600	14	1.8	230.577	2945	9324	2280	9324	3048	14	7.24E-04	GKS09 - 4S □□□ 071C03 MDFKS□□ 071-03 165
1727	13	1.7	248.439	3173	9324	2457	9324	3031	13	7.13E-04	GKS09 - 4S □□□ 071C03 MDFKS□□ 071-03 165
1950	12	1.5	279.986	3576	9324	2769	9324	3071	12	7.12E-04	GKS09 - 4S □□□ 071C03 MDFKS□□ 071-03 165
2257	10	1.3	323.365	4130	9324	3197	9324	3031	10	6.71E-04	GKS09 - 4S □□□ 071C03 MDFKS□□ 071-03 165
2547	9.1	1.2	364.427	4607	9324	3604	9324	3071	9.1	6.71E-04	GKS09 - 4S □□□ 071C03 MDFKS□□ 071-03 165
2816	8.2	1.0	402.234	4547	9324	3977	9324	3031	8.2	6.51E-04	GKS09 - 4S □□□ 071C03 MDFKS□□ 071-03 165
1016	36	2.5	100.551	2049	9325	1612	9325	3029	36	1.05E-03	GKS09 - 4S □□□ 071C13 MDFKS□□ 071-13 180

Observe the notes for thermal dimensioning.

Selection tables - Helical-bevel gearboxes

Forced ventilated synchronous geared servo motors



M ₂ [Nm]	n ₂ trans [rpm]	c	i	M ₂ max short-time on geared motor at				M ₂ Gr gearbox c=1 n ₁ ≤ 1400 rpm [Nm]	n ₂ therm [rpm]	J _{GM} referred to motor shaft [kgm ²]	Helical-bevel geared servo motor Dimensions on Page 6-88
				8 kHz		16 kHz					
				M ₂ max [Nm]	Type EVS	M ₂ max [Nm]	Type EVS				
1146	32	2.4	113.320	2309	9325	1817	9325	3002	32	1.05E-03	GKS09 - 4S □□□ 071C13 MDFKS□□ 071-13 180
1249	29	2.2	123.275	2512	9325	1976	9325	3024	29	1.01E-03	GKS09 - 4S □□□ 071C13 MDFKS□□ 071-13 180
1412	26	2.0	138.929	2831	9325	2227	9325	3017	26	1.01E-03	GKS09 - 4S □□□ 071C13 MDFKS□□ 071-13 180
1537	24	1.8	151.012	3077	9325	2421	9325	3024	24	9.52E-04	GKS09 - 4S □□□ 071C13 MDFKS□□ 071-13 180
1736	21	1.6	170.188	3467	9325	2728	9325	3017	21	9.51E-04	GKS09 - 4S □□□ 071C13 MDFKS□□ 071-13 180
2093	18	1.4	204.596	4168	9325	3280	9325	3031	18	9.24E-04	GKS09 - 4S □□□ 071C13 MDFKS□□ 071-13 180
2363	16	1.2	230.577	4572	9325	3697	9325	3048	16	9.24E-04	GKS09 - 4S □□□ 071C13 MDFKS□□ 071-13 180
2548	14	1.1	248.439	4547	9325	3983	9325	3031	14	9.13E-04	GKS09 - 4S □□□ 071C13 MDFKS□□ 071-13 180
2876	13	1.0	279.986	4607	9325	4489	9325	3071	13	9.12E-04	GKS09 - 4S □□□ 071C13 MDFKS□□ 071-13 180
1509	35	1.7	100.551	2252	9325	2587	9326	3029	35	1.25E-03	GKS09 - 4S □□□ 071C33 MDFKS□□ 071-33 175
1702	31	1.7	113.320	2538	9325	2915	9326	3002	31	1.25E-03	GKS09 - 4S □□□ 071C33 MDFKS□□ 071-33 175
1854	28	1.5	123.275	2761	9325	3171	9326	3024	28	1.21E-03	GKS09 - 4S □□□ 071C33 MDFKS□□ 071-33 175
2093	25	1.4	138.929	3112	9325	3574	9326	3017	25	1.21E-03	GKS09 - 4S □□□ 071C33 MDFKS□□ 071-33 175
2278	23	1.3	151.012	3383	9325	3885	9326	3024	23	1.15E-03	GKS09 - 4S □□□ 071C33 MDFKS□□ 071-33 175
2571	21	1.1	170.188	3812	9325	4378	9326	3017	21	1.15E-03	GKS09 - 4S □□□ 071C33 MDFKS□□ 071-33 175
685	32	4.9	102.119	1304	9324	1010	9324	4012	32	1.33E-03	GKS11 - 4S □□□ 071C03 MDFKS□□ 071-03 165
768	29	5.4	115.063	1470	9324	1138	9324	4520	29	1.32E-03	GKS11 - 4S □□□ 071C03 MDFKS□□ 071-03 165
834	26	5.4	125.095	1598	9324	1237	9324	4914	26	1.22E-03	GKS11 - 4S □□□ 071C03 MDFKS□□ 071-03 165
940	23	5.4	140.952	1800	9324	1394	9324	5537	23	1.22E-03	GKS11 - 4S □□□ 071C03 MDFKS□□ 071-03 165
2224	10	2.6	322.931	4125	9324	3193	9324	5973	10	8.09E-04	GKS11 - 4S □□□ 071C03 MDFKS□□ 071-03 165
2513	9.1	2.3	363.866	4648	9324	3598	9324	6032	9.1	8.08E-04	GKS11 - 4S □□□ 071C03 MDFKS□□ 071-03 165
2739	8.3	2.1	395.787	5056	9324	3914	9324	5973	8.3	7.52E-04	GKS11 - 4S □□□ 071C03 MDFKS□□ 071-03 165
3094	7.4	1.9	445.958	5696	9324	4410	9324	6032	7.4	7.52E-04	GKS11 - 4S □□□ 071C03 MDFKS□□ 071-03 165
3563	6.4	1.6	512.196	6542	9324	5065	9324	5975	6.4	7.39E-04	GKS11 - 4S □□□ 071C03 MDFKS□□ 071-03 165
4022	5.7	1.5	577.122	7372	9324	5707	9324	6072	5.7	7.38E-04	GKS11 - 4S □□□ 071C03 MDFKS□□ 071-03 165
4338	5.3	1.3	621.619	7940	9324	6147	9324	5975	5.3	7.31E-04	GKS11 - 4S □□□ 071C03 MDFKS□□ 071-03 165
4894	4.7	1.2	700.416	8947	9324	6926	9324	6072	4.7	7.31E-04	GKS11 - 4S □□□ 071C03 MDFKS□□ 071-03 165
5717	4.0	1.0	816.455	8963	9324	8073	9324	5975	4.0	6.82E-04	GKS11 - 4S □□□ 071C03 MDFKS□□ 071-03 165
1024	35	3.2	102.119	2081	9325	1637	9325	4012	35	1.53E-03	GKS11 - 4S □□□ 071C13 MDFKS□□ 071-13 180
1149	31	3.6	115.063	2344	9325	1845	9325	4520	31	1.52E-03	GKS11 - 4S □□□ 071C13 MDFKS□□ 071-13 180
1249	29	3.6	125.095	2549	9325	2006	9325	4914	29	1.42E-03	GKS11 - 4S □□□ 071C13 MDFKS□□ 071-13 180
1407	26	3.6	140.952	2872	9325	2260	9325	5537	26	1.42E-03	GKS11 - 4S □□□ 071C13 MDFKS□□ 071-13 180
3292	11	1.7	322.931	6579	9325	5177	9325	5973	11	1.01E-03	GKS11 - 4S □□□ 071C13 MDFKS□□ 071-13 180
3716	9.9	1.5	363.866	7413	9325	5834	9325	6032	9.9	1.01E-03	GKS11 - 4S □□□ 071C13 MDFKS□□ 071-13 180

Observe the notes for thermal dimensioning.

Selection tables - Helical-bevel gearboxes

Forced ventilated synchronous geared servo motors

M ₂ [Nm]	n ₂ trans [rpm]	c	i	M ₂ max short-time on geared motor at				M ₂ Gr gearbox c=1 n ₁ ≤ 1400 rpm [Nm]	n ₂ therm [rpm]	J _{GM} referred to motor shaft [kgm ²]	Helical-bevel geared servo motor Dimensions on Page 6-88
				8 kHz		16 kHz					
				M ₂ max [Nm]	Type EVS	M ₂ max [Nm]	Type EVS				
4048	9.1	1.4	395.787	8064	9325	6345	9325	5973	9.1	9.52E-04	GKS11 - 4S □□□ 071C13 MDFKS□□ 071-13 180
4569	8.1	1.2	445.958	9048	9325	7150	9325	6032	8.1	9.52E-04	GKS11 - 4S □□□ 071C13 MDFKS□□ 071-13 180
5257	7.0	1.1	512.196	8963	9325	8212	9325	5975	7.0	9.39E-04	GKS11 - 4S □□□ 071C13 MDFKS□□ 071-13 180
1524	34	2.2	102.119	2287	9325	2627	9326	4012	34	1.73E-03	GKS11 - 4S □□□ 071C33 MDFKS□□ 071-33 175
1713	30	2.5	115.063	2577	9325	2960	9326	4520	30	1.72E-03	GKS11 - 4S □□□ 071C33 MDFKS□□ 071-33 175
1862	28	2.5	125.095	2802	9325	3218	9326	4914	28	1.62E-03	GKS11 - 4S □□□ 071C33 MDFKS□□ 071-33 175
2099	25	2.5	140.952	3157	9325	3626	9326	5537	25	1.62E-03	GKS11 - 4S □□□ 071C33 MDFKS□□ 071-33 175
4876	11	1.2	322.931	7234	9325	8307	9326	5973	11	1.21E-03	GKS11 - 4S □□□ 071C33 MDFKS□□ 071-33 175
5501	9.6	1.0	363.866	8151	9325	9048	9326	6032	9.6	1.21E-03	GKS11 - 4S □□□ 071C33 MDFKS□□ 071-33 175

Observe the notes for thermal dimensioning.

Selection tables - Helical-bevel gearboxes

Naturally ventilated asynchronous geared servo motors



M ₂ [Nm]	n _{2 trans} [rpm]	c	i	M _{2 max} short-time on geared motor at				M _{2 Gr} gearbox c=1 n ₁ ≤ 1400 rpm [Nm]	n _{2 therm} [rpm]	J _{GM} referred to motor shaft [kgm ²]	Helical-bevel geared servo motor Dimensions on Page 6-88
				8 kHz		16 kHz					
				M _{2 max} [Nm]	Type EVS	M _{2 max} [Nm]	Type EVS				
9	771	6.0	5.123	22	9322	26	9323	81	727	3.57E-04	GKS04 - 3A □□□ 056C22 MDSKA□□ 056-22 140
13	562	5.0	7.025	30	9322	35	9323	93	562	3.08E-04	GKS04 - 3A □□□ 056C22 MDSKA□□ 056-22 140
15	484	6.0	8.167	35	9322	41	9323	128	456	3.26E-04	GKS04 - 3A □□□ 056C22 MDSKA□□ 056-22 140
16	439	4.4	8.991	38	9322	45	9323	103	439	2.84E-04	GKS04 - 3A □□□ 056C22 MDSKA□□ 056-22 140
18	402	4.1	9.836	42	9322	50	9323	106	402	2.78E-04	GKS04 - 3A □□□ 056C22 MDSKA□□ 056-22 140
21	337	5.8	11.730	50	9322	59	9323	180	316	3.13E-04	GKS04 - 3A □□□ 056C22 MDSKA□□ 056-22 140
24	302	4.8	13.067	55	9322	66	9323	165	274	3.10E-04	GKS04 - 3A □□□ 056C22 MDSKA□□ 056-22 140
26	276	4.4	14.333	61	9322	72	9323	164	276	2.75E-04	GKS04 - 3A □□□ 056C22 MDSKA□□ 056-22 140
30	246	4.3	16.087	68	9322	81	9323	181	242	2.84E-04	GKS04 - 3A □□□ 056C22 MDSKA□□ 056-22 140
33	220	3.5	17.920	76	9322	90	9323	166	210	2.83E-04	GKS04 - 3A □□□ 056C22 MDSKA□□ 056-22 140
38	192	3.4	20.588	87	9322	104	9323	182	192	2.70E-04	GKS04 - 3A □□□ 056C22 MDSKA□□ 056-22 140
42	175	3.1	22.522	95	9322	113	9323	182	175	2.66E-04	GKS04 - 3A □□□ 056C22 MDSKA□□ 056-22 140
47	157	2.5	25.088	106	9322	126	9323	167	157	2.65E-04	GKS04 - 3A □□□ 056C22 MDSKA□□ 056-22 140
54	138	2.4	28.727	121	9322	145	9323	183	138	2.58E-04	GKS04 - 3A □□□ 056C22 MDSKA□□ 056-22 140
60	123	2.0	32.000	135	9322	161	9323	167	123	2.58E-04	GKS04 - 3A □□□ 056C22 MDSKA□□ 056-22 140
66	112	2.0	35.191	149	9322	177	9323	183	112	2.54E-04	GKS04 - 3A □□□ 056C22 MDSKA□□ 056-22 140
74	101	1.6	39.200	166	9322	197	9323	168	101	2.53E-04	GKS04 - 3A □□□ 056C22 MDSKA□□ 056-22 140
83	89	1.8	44.240	187	9322	223	9323	185	89	2.49E-04	GKS04 - 3A □□□ 056C22 MDSKA□□ 056-22 140
96	78	1.5	50.943	215	9322	257	9323	182	72	2.58E-04	GKS04 - 3A □□□ 056C22 MDSKA□□ 056-22 140
108	69	1.4	56.976	241	9322	281	9323	187	69	2.46E-04	GKS04 - 3A □□□ 056C22 MDSKA□□ 056-22 140
123	61	1.2	64.978	275	9322	275	9323	183	59	2.53E-04	GKS04 - 3A □□□ 056C22 MDSKA□□ 056-22 140
19	791	3.0	5.123	61	9324	45	9324	81	639	9.47E-04	GKS04 - 3A □□□ 071C22 MDSKA□□ 071-22 140
26	576	2.5	7.025	84	9324	61	9324	93	503	8.98E-04	GKS04 - 3A □□□ 071C22 MDSKA□□ 071-22 140
30	496	3.0	8.167	98	9324	71	9324	128	401	9.16E-04	GKS04 - 3A □□□ 071C22 MDSKA□□ 071-22 140
34	450	2.2	8.991	108	9324	79	9324	103	450	8.74E-04	GKS04 - 3A □□□ 071C22 MDSKA□□ 071-22 140
37	412	2.0	9.836	118	9324	86	9324	106	412	8.68E-04	GKS04 - 3A □□□ 071C22 MDSKA□□ 071-22 140
44	345	2.9	11.730	140	9324	103	9324	180	278	9.03E-04	GKS04 - 3A □□□ 071C22 MDSKA□□ 071-22 140
49	310	2.4	13.067	156	9324	114	9324	165	240	9.00E-04	GKS04 - 3A □□□ 071C22 MDSKA□□ 071-22 140
54	283	2.2	14.333	172	9324	125	9324	164	283	8.65E-04	GKS04 - 3A □□□ 071C22 MDSKA□□ 071-22 140
60	252	2.1	16.087	193	9324	141	9324	181	214	8.74E-04	GKS04 - 3A □□□ 071C22 MDSKA□□ 071-22 140
68	226	1.8	17.920	215	9324	157	9324	166	178	8.73E-04	GKS04 - 3A □□□ 071C22 MDSKA□□ 071-22 140
78	197	1.7	20.588	246	9324	180	9324	182	178	8.60E-04	GKS04 - 3A □□□ 071C22 MDSKA□□ 071-22 140
85	180	1.5	22.522	270	9324	197	9324	182	163	8.56E-04	GKS04 - 3A □□□ 071C22 MDSKA□□ 071-22 140
95	161	1.3	25.088	251	9324	219	9324	167	134	8.55E-04	GKS04 - 3A □□□ 071C22 MDSKA□□ 071-22 140

Observe the notes for thermal dimensioning.

Selection tables - Helical-bevel gearboxes

Naturally ventilated asynchronous geared servo motors

M ₂ [Nm]	n ₂ trans [rpm]	c	i	M ₂ max short-time on geared motor at				M ₂ Gr gearbox c=1 n ₁ ≤ 1400 rpm [Nm]	n ₂ therm [rpm]	J _{GM} referred to motor shaft [kgm ²]	Helical-bevel geared servo motor Dimensions on Page 6-88
				8 kHz		16 kHz					
				M ₂ max [Nm]	Type EVS	M ₂ max [Nm]	Type EVS				
109	141	1.2	28.727	275	9324	251	9324	183	133	8.48E-04	GKS04 - 3A □□□ 071C22 MDSKA□□ 071-22 140
24	300	4.8	13.176	56	9322	66	9323	165	300	3.11E-04	GKS05 - 3A □□□ 056C22 MDSKA□□ 056-22 140
55	132	4.2	29.931	127	9322	151	9323	330	125	3.07E-04	GKS05 - 3A □□□ 056C22 MDSKA□□ 056-22 140
60	121	3.9	32.744	138	9322	165	9323	331	116	2.98E-04	GKS05 - 3A □□□ 056C22 MDSKA□□ 056-22 140
69	107	3.1	36.894	156	9322	186	9323	302	100	2.98E-04	GKS05 - 3A □□□ 056C22 MDSKA□□ 056-22 140
78	95	3.0	41.765	177	9322	210	9323	331	95	2.82E-04	GKS05 - 3A □□□ 056C22 MDSKA□□ 056-22 140
88	84	2.8	47.059	199	9322	237	9323	304	84	2.81E-04	GKS05 - 3A □□□ 056C22 MDSKA□□ 056-22 140
95	77	2.8	51.162	216	9322	258	9323	331	77	2.72E-04	GKS05 - 3A □□□ 056C22 MDSKA□□ 056-22 140
108	69	2.3	57.647	244	9322	290	9323	307	69	2.72E-04	GKS05 - 3A □□□ 056C22 MDSKA□□ 056-22 140
125	59	2.2	66.592	282	9322	335	9323	331	59	2.60E-04	GKS05 - 3A □□□ 056C22 MDSKA□□ 056-22 140
141	53	1.8	75.033	317	9322	378	9323	310	53	2.60E-04	GKS05 - 3A □□□ 056C22 MDSKA□□ 056-22 140
156	48	1.7	82.833	350	9322	417	9323	331	48	2.55E-04	GKS05 - 3A □□□ 056C22 MDSKA□□ 056-22 140
176	42	1.5	93.333	395	9322	470	9323	315	42	2.54E-04	GKS05 - 3A □□□ 056C22 MDSKA□□ 056-22 140
203	37	1.3	107.196	453	9322	497	9323	331	37	2.49E-04	GKS05 - 3A □□□ 056C22 MDSKA□□ 056-22 140
229	33	1.3	120.784	473	9322	473	9323	315	33	2.49E-04	GKS05 - 3A □□□ 056C22 MDSKA□□ 056-22 140
247	30	1.2	130.097	497	9322	497	9323	331	30	2.47E-04	GKS05 - 3A □□□ 056C22 MDSKA□□ 056-22 140
278	27	1.0	146.588	473	9322	473	9323	315	27	2.47E-04	GKS05 - 3A □□□ 056C22 MDSKA□□ 056-22 140
25	590	4.1	6.863	82	9324	60	9324	147	422	1.02E-03	GKS05 - 3A □□□ 071C22 MDSKA□□ 071-22 140
35	430	3.3	9.412	113	9324	82	9324	165	347	9.47E-04	GKS05 - 3A □□□ 071C22 MDSKA□□ 071-22 140
39	383	4.1	10.569	127	9324	92	9324	227	274	9.90E-04	GKS05 - 3A □□□ 071C22 MDSKA□□ 071-22 140
43	347	4.1	11.667	140	9324	102	9324	251	248	9.95E-04	GKS05 - 3A □□□ 071C22 MDSKA□□ 071-22 140
49	307	2.4	13.176	158	9324	115	9324	165	266	9.01E-04	GKS05 - 3A □□□ 071C22 MDSKA□□ 071-22 140
54	279	3.3	14.494	174	9324	127	9324	254	225	9.34E-04	GKS05 - 3A □□□ 071C22 MDSKA□□ 071-22 140
59	253	3.3	16.000	192	9324	140	9324	280	204	9.34E-04	GKS05 - 3A □□□ 071C22 MDSKA□□ 071-22 140
63	237	3.5	17.054	204	9324	149	9324	314	165	9.81E-04	GKS05 - 3A □□□ 071C22 MDSKA□□ 071-22 140
72	211	2.9	19.216	230	9324	168	9324	297	141	9.77E-04	GKS05 - 3A □□□ 071C22 MDSKA□□ 071-22 140
87	173	2.7	23.388	280	9324	204	9324	329	134	9.26E-04	GKS05 - 3A □□□ 071C22 MDSKA□□ 071-22 140
99	154	2.1	26.353	315	9324	230	9324	298	113	9.25E-04	GKS05 - 3A □□□ 071C22 MDSKA□□ 071-22 140
112	135	2.1	29.931	358	9324	262	9324	330	110	8.97E-04	GKS05 - 3A □□□ 071C22 MDSKA□□ 071-22 140
123	124	1.9	32.744	392	9324	286	9324	331	102	8.88E-04	GKS05 - 3A □□□ 071C22 MDSKA□□ 071-22 140
139	110	1.5	36.894	442	9324	322	9324	302	82	8.88E-04	GKS05 - 3A □□□ 071C22 MDSKA□□ 071-22 140
158	97	1.5	41.765	497	9324	365	9324	331	84	8.72E-04	GKS05 - 3A □□□ 071C22 MDSKA□□ 071-22 140
178	86	1.4	47.059	456	9324	411	9324	304	72	8.71E-04	GKS05 - 3A □□□ 071C22 MDSKA□□ 071-22 140
194	79	1.4	51.162	497	9324	447	9324	331	74	8.62E-04	GKS05 - 3A □□□ 071C22 MDSKA□□ 071-22 140

Observe the notes for thermal dimensioning.

Selection tables - Helical-bevel gearboxes

Naturally ventilated asynchronous geared servo motors



M ₂ [Nm]	n _{2 trans} [rpm]	c	i	M _{2 max} short-time on geared motor at				M _{2 Gr} gearbox c=1 n ₁ ≤ 1400 rpm [Nm]	n _{2 therm} [rpm]	J _{GM} referred to motor shaft [kgm ²]	Helical-bevel geared servo motor Dimensions on Page 6-88
				8 kHz		16 kHz					
				M _{2 max} [Nm]	Type EVS	M _{2 max} [Nm]	Type EVS				
219	70	1.1	57.647	461	9324	461	9324	307	61	8.62E-04	GKS05 - 3A □□□ 071C22 MDSKA□□ 071-22 140
253	61	1.1	66.592	497	9324	497	9324	331	61	8.50E-04	GKS05 - 3A □□□ 071C22 MDSKA□□ 071-22 140
43	291	3.1	6.863	98	9323	138	9324	147	291	2.11E-03	GKS05 - 3A □□□ 080C22 MDSKA□□ 080-22 70
59	213	2.5	9.412	135	9323	190	9324	165	213	2.04E-03	GKS05 - 3A □□□ 080C22 MDSKA□□ 080-22 70
66	189	3.1	10.569	152	9323	213	9324	227	189	2.08E-03	GKS05 - 3A □□□ 080C22 MDSKA□□ 080-22 70
73	171	3.1	11.667	167	9323	235	9324	251	171	2.08E-03	GKS05 - 3A □□□ 080C22 MDSKA□□ 080-22 70
83	152	1.8	13.176	189	9323	248	9324	165	152	1.99E-03	GKS05 - 3A □□□ 080C22 MDSKA□□ 080-22 70
91	138	2.5	14.494	208	9323	292	9324	254	138	2.02E-03	GKS05 - 3A □□□ 080C22 MDSKA□□ 080-22 70
100	125	2.5	16.000	230	9323	322	9324	280	125	2.02E-03	GKS05 - 3A □□□ 080C22 MDSKA□□ 080-22 70
107	117	2.6	17.054	245	9323	343	9324	314	117	2.07E-03	GKS05 - 3A □□□ 080C22 MDSKA□□ 080-22 70
121	104	2.2	19.216	276	9323	387	9324	297	104	2.07E-03	GKS05 - 3A □□□ 080C22 MDSKA□□ 080-22 70
147	86	2.0	23.388	336	9323	471	9324	329	86	2.02E-03	GKS05 - 3A □□□ 080C22 MDSKA□□ 080-22 70
167	76	1.6	26.353	378	9323	447	9324	298	76	2.01E-03	GKS05 - 3A □□□ 080C22 MDSKA□□ 080-22 70
189	67	1.6	29.931	429	9323	495	9324	330	67	1.99E-03	GKS05 - 3A □□□ 080C22 MDSKA□□ 080-22 70
207	61	1.4	32.744	470	9323	497	9324	331	61	1.98E-03	GKS05 - 3A □□□ 080C22 MDSKA□□ 080-22 70
234	54	1.2	36.894	453	9323	453	9324	302	54	1.98E-03	GKS05 - 3A □□□ 080C22 MDSKA□□ 080-22 70
265	48	1.1	41.765	497	9323	497	9324	331	48	1.96E-03	GKS05 - 3A □□□ 080C22 MDSKA□□ 080-22 70
299	43	1.0	47.059	456	9323	456	9324	304	43	1.96E-03	GKS05 - 3A □□□ 080C22 MDSKA□□ 080-22 70
326	39	1.0	51.162	497	9323	497	9324	331	39	1.95E-03	GKS05 - 3A □□□ 080C22 MDSKA□□ 080-22 70
34	597	3.0	6.863	86	9324	125	9325	147	397	2.11E-03	GKS05 - 3A □□□ 080C22 MDSKA□□ 080-22 140
48	436	2.4	9.412	118	9324	171	9325	165	327	2.04E-03	GKS05 - 3A □□□ 080C22 MDSKA□□ 080-22 140
53	388	3.0	10.569	133	9324	192	9325	227	258	2.08E-03	GKS05 - 3A □□□ 080C22 MDSKA□□ 080-22 140
59	351	3.0	11.667	146	9324	212	9325	251	234	2.08E-03	GKS05 - 3A □□□ 080C22 MDSKA□□ 080-22 140
67	311	1.8	13.176	165	9324	239	9325	165	242	1.99E-03	GKS05 - 3A □□□ 080C22 MDSKA□□ 080-22 140
73	283	2.4	14.494	182	9324	263	9325	254	212	2.02E-03	GKS05 - 3A □□□ 080C22 MDSKA□□ 080-22 140
81	256	2.4	16.000	201	9324	290	9325	280	192	2.02E-03	GKS05 - 3A □□□ 080C22 MDSKA□□ 080-22 140
86	240	2.6	17.054	214	9324	309	9325	314	155	2.07E-03	GKS05 - 3A □□□ 080C22 MDSKA□□ 080-22 140
97	213	2.2	19.216	241	9324	349	9325	297	132	2.07E-03	GKS05 - 3A □□□ 080C22 MDSKA□□ 080-22 140
119	175	2.0	23.388	293	9324	424	9325	329	125	2.02E-03	GKS05 - 3A □□□ 080C22 MDSKA□□ 080-22 140
134	156	1.6	26.353	330	9324	447	9325	298	98	2.01E-03	GKS05 - 3A □□□ 080C22 MDSKA□□ 080-22 140
153	137	1.5	29.931	375	9324	495	9325	330	96	1.99E-03	GKS05 - 3A □□□ 080C22 MDSKA□□ 080-22 140
167	125	1.4	32.744	411	9324	497	9325	331	88	1.98E-03	GKS05 - 3A □□□ 080C22 MDSKA□□ 080-22 140
189	111	1.1	36.894	453	9324	453	9325	302	72	1.98E-03	GKS05 - 3A □□□ 080C22 MDSKA□□ 080-22 140
214	98	1.1	41.765	497	9324	497	9325	331	73	1.96E-03	GKS05 - 3A □□□ 080C22 MDSKA□□ 080-22 140

Observe the notes for thermal dimensioning.

Selection tables - Helical-bevel gearboxes

Naturally ventilated asynchronous geared servo motors

M ₂ [Nm]	n ₂ trans [rpm]	c	i	M ₂ max short-time on geared motor at				M ₂ Gr gearbox c=1 n ₁ ≤ 1400 rpm [Nm]	n ₂ therm [rpm]	J _{GM} referred to motor shaft [kgm ²]	Helical-bevel geared servo motor Dimensions on Page 6-88
				8 kHz		16 kHz					
				M ₂ max [Nm]	Type EVS	M ₂ max [Nm]	Type EVS				
241	87	1.0	47.059	456	9324	456	9325	304	63	1.96E-03	GKS05 - 3A □□□ 080C22 MDSKA□□ 080-22 140
262	80	1.0	51.162	497	9324	497	9325	331	66	1.95E-03	GKS05 - 3A □□□ 080C22 MDSKA□□ 080-22 140
215	34	1.1	114.987	385	9322	385	9323	256	34	2.60E-04	GKS05 - 4A □□□ 056C22 MDSKA□□ 056-22 140
237	31	1.1	126.933	425	9322	425	9323	283	31	2.60E-04	GKS05 - 4A □□□ 056C22 MDSKA□□ 056-22 140
105	68	5.2	57.882	245	9322	291	9323	695	68	2.98E-04	GKS06 - 3A □□□ 056C22 MDSKA□□ 056-22 140
120	61	4.1	65.207	276	9322	328	9323	624	61	2.97E-04	GKS06 - 3A □□□ 056C22 MDSKA□□ 056-22 140
132	55	4.2	72.000	304	9322	363	9323	702	55	2.82E-04	GKS06 - 3A □□□ 056C22 MDSKA□□ 056-22 140
150	49	3.4	81.111	343	9322	408	9323	630	49	2.82E-04	GKS06 - 3A □□□ 056C22 MDSKA□□ 056-22 140
173	42	3.3	93.176	394	9322	469	9323	702	42	2.66E-04	GKS06 - 3A □□□ 056C22 MDSKA□□ 056-22 140
196	38	2.6	104.967	444	9322	528	9323	635	38	2.65E-04	GKS06 - 3A □□□ 056C22 MDSKA□□ 056-22 140
210	35	3.0	113.082	478	9322	569	9323	702	35	2.59E-04	GKS06 - 3A □□□ 056C22 MDSKA□□ 056-22 140
238	31	2.4	127.392	539	9322	641	9323	635	31	2.59E-04	GKS06 - 3A □□□ 056C22 MDSKA□□ 056-22 140
268	28	2.4	142.941	604	9322	720	9323	702	28	2.52E-04	GKS06 - 3A □□□ 056C22 MDSKA□□ 056-22 140
303	25	1.9	161.029	681	9322	811	9323	635	25	2.52E-04	GKS06 - 3A □□□ 056C22 MDSKA□□ 056-22 140
358	21	1.8	190.080	803	9322	957	9323	702	21	2.63E-04	GKS06 - 3A □□□ 056C22 MDSKA□□ 056-22 140
405	18	1.4	214.133	905	9322	953	9323	635	18	2.63E-04	GKS06 - 3A □□□ 056C22 MDSKA□□ 056-22 140
436	17	1.5	230.688	975	9322	1053	9323	702	17	2.57E-04	GKS06 - 3A □□□ 056C22 MDSKA□□ 056-22 140
493	15	1.2	259.880	953	9322	953	9323	635	15	2.57E-04	GKS06 - 3A □□□ 056C22 MDSKA□□ 056-22 140
553	14	1.2	291.600	1053	9322	1053	9323	702	14	2.51E-04	GKS06 - 3A □□□ 056C22 MDSKA□□ 056-22 140
41	356	5.5	11.382	136	9324	100	9324	331	306	1.08E-03	GKS06 - 3A □□□ 071C22 MDSKA□□ 071-22 140
64	227	5.5	17.809	213	9324	156	9324	518	196	1.04E-03	GKS06 - 3A □□□ 071C22 MDSKA□□ 071-22 140
95	156	4.9	26.017	311	9324	227	9324	679	131	1.02E-03	GKS06 - 3A □□□ 071C22 MDSKA□□ 071-22 140
104	142	4.5	28.461	341	9324	249	9324	682	122	9.97E-04	GKS06 - 3A □□□ 071C22 MDSKA□□ 071-22 140
118	126	3.6	32.063	384	9324	280	9324	610	104	9.93E-04	GKS06 - 3A □□□ 071C22 MDSKA□□ 071-22 140
134	112	3.6	36.303	435	9324	317	9324	685	101	9.48E-04	GKS06 - 3A □□□ 071C22 MDSKA□□ 071-22 140
165	91	3.3	44.471	532	9324	389	9324	689	91	9.20E-04	GKS06 - 3A □□□ 071C22 MDSKA□□ 071-22 140
198	76	2.8	53.074	635	9324	464	9324	695	58	9.82E-04	GKS06 - 3A □□□ 071C22 MDSKA□□ 071-22 140
216	70	2.6	57.882	693	9324	506	9324	695	70	8.88E-04	GKS06 - 3A □□□ 071C22 MDSKA□□ 071-22 140
245	62	2.1	65.207	780	9324	570	9324	624	62	8.87E-04	GKS06 - 3A □□□ 071C22 MDSKA□□ 071-22 140
270	56	2.1	72.000	862	9324	629	9324	702	56	8.72E-04	GKS06 - 3A □□□ 071C22 MDSKA□□ 071-22 140
306	50	1.7	81.111	945	9324	709	9324	630	50	8.72E-04	GKS06 - 3A □□□ 071C22 MDSKA□□ 071-22 140
352	43	1.6	93.176	1053	9324	814	9324	702	43	8.56E-04	GKS06 - 3A □□□ 071C22 MDSKA□□ 071-22 140
398	39	1.3	104.967	953	9324	917	9324	635	39	8.55E-04	GKS06 - 3A □□□ 071C22 MDSKA□□ 071-22 140
427	36	1.5	113.082	1053	9324	988	9324	702	36	8.49E-04	GKS06 - 3A □□□ 071C22 MDSKA□□ 071-22 140

Observe the notes for thermal dimensioning.

Selection tables - Helical-bevel gearboxes

Naturally ventilated asynchronous geared servo motors



M ₂ [Nm]	n ₂ trans [rpm]	c	i	M ₂ max short-time on geared motor at				M ₂ Gr gearbox c=1 n ₁ ≤ 1400 rpm [Nm]	n ₂ therm [rpm]	J _{GM} referred to motor shaft [kgm ²]	Helical-bevel geared servo motor Dimensions on Page 6-88
				8 kHz		16 kHz					
				M ₂ max [Nm]	Type EVS	M ₂ max [Nm]	Type EVS				
483	32	1.2	127.392	953	9324	953	9324	635	32	8.49E-04	GKS06 - 3A □□□ 071C22 MDSKA□□ 071-22 140
39	308	5.8	6.485	93	9323	131	9324	263	308	2.51E-03	GKS06 - 3A □□□ 080C22 MDSKA□□ 080-22 70
56	217	5.8	9.196	132	9323	185	9324	373	217	2.42E-03	GKS06 - 3A □□□ 080C22 MDSKA□□ 080-22 70
61	197	5.8	10.147	146	9323	204	9324	412	197	2.41E-03	GKS06 - 3A □□□ 080C22 MDSKA□□ 080-22 70
70	176	4.2	11.382	163	9323	229	9324	331	176	2.17E-03	GKS06 - 3A □□□ 080C22 MDSKA□□ 080-22 70
77	159	4.8	12.612	181	9323	254	9324	426	159	2.24E-03	GKS06 - 3A □□□ 080C22 MDSKA□□ 080-22 70
90	135	5.8	14.824	213	9323	299	9324	600	135	2.35E-03	GKS06 - 3A □□□ 080C22 MDSKA□□ 080-22 70
102	120	5.2	16.699	240	9323	336	9324	604	120	2.34E-03	GKS06 - 3A □□□ 080C22 MDSKA□□ 080-22 70
110	112	4.2	17.809	255	9323	359	9324	518	112	2.13E-03	GKS06 - 3A □□□ 080C22 MDSKA□□ 080-22 70
124	98	4.7	20.329	292	9323	409	9324	665	98	2.20E-03	GKS06 - 3A □□□ 080C22 MDSKA□□ 080-22 70
141	87	3.8	22.902	329	9323	461	9324	606	87	2.19E-03	GKS06 - 3A □□□ 080C22 MDSKA□□ 080-22 70
161	77	3.7	26.017	373	9323	524	9324	679	77	2.11E-03	GKS06 - 3A □□□ 080C22 MDSKA□□ 080-22 70
177	70	3.4	28.461	408	9323	573	9324	682	70	2.09E-03	GKS06 - 3A □□□ 080C22 MDSKA□□ 080-22 70
200	62	2.7	32.063	460	9323	646	9324	610	62	2.08E-03	GKS06 - 3A □□□ 080C22 MDSKA□□ 080-22 70
227	55	2.7	36.303	521	9323	731	9324	685	55	2.04E-03	GKS06 - 3A □□□ 080C22 MDSKA□□ 080-22 70
260	48	2.4	41.472	595	9323	835	9324	689	48	2.13E-03	GKS06 - 3A □□□ 080C22 MDSKA□□ 080-22 70
279	45	2.4	44.471	638	9323	896	9324	689	45	2.01E-03	GKS06 - 3A □□□ 080C22 MDSKA□□ 080-22 70
334	38	2.1	53.074	761	9323	1043	9324	695	38	2.07E-03	GKS06 - 3A □□□ 080C22 MDSKA□□ 080-22 70
365	35	1.9	57.882	830	9323	1043	9324	695	35	1.98E-03	GKS06 - 3A □□□ 080C22 MDSKA□□ 080-22 70
413	31	1.5	65.207	935	9323	936	9324	624	31	1.98E-03	GKS06 - 3A □□□ 080C22 MDSKA□□ 080-22 70
456	28	1.5	72.000	1033	9323	1053	9324	702	28	1.96E-03	GKS06 - 3A □□□ 080C22 MDSKA□□ 080-22 70
515	25	1.2	81.111	945	9323	945	9324	630	25	1.96E-03	GKS06 - 3A □□□ 080C22 MDSKA□□ 080-22 70
32	632	5.7	6.485	81	9324	118	9325	263	404	2.51E-03	GKS06 - 3A □□□ 080C22 MDSKA□□ 080-22 140
45	446	5.7	9.196	115	9324	167	9325	373	285	2.42E-03	GKS06 - 3A □□□ 080C22 MDSKA□□ 080-22 140
49	404	5.7	10.147	127	9324	184	9325	412	258	2.41E-03	GKS06 - 3A □□□ 080C22 MDSKA□□ 080-22 140
57	360	4.1	11.382	143	9324	207	9325	331	289	2.17E-03	GKS06 - 3A □□□ 080C22 MDSKA□□ 080-22 140
62	325	4.7	12.612	158	9324	229	9325	426	232	2.24E-03	GKS06 - 3A □□□ 080C22 MDSKA□□ 080-22 140
72	277	5.6	14.824	186	9324	269	9325	600	177	2.35E-03	GKS06 - 3A □□□ 080C22 MDSKA□□ 080-22 140
82	246	5.0	16.699	209	9324	303	9325	604	153	2.34E-03	GKS06 - 3A □□□ 080C22 MDSKA□□ 080-22 140
88	230	4.1	17.809	223	9324	323	9325	518	185	2.13E-03	GKS06 - 3A □□□ 080C22 MDSKA□□ 080-22 140
100	202	4.6	20.329	255	9324	369	9325	665	143	2.20E-03	GKS06 - 3A □□□ 080C22 MDSKA□□ 080-22 140
114	179	3.7	22.902	287	9324	416	9325	606	122	2.19E-03	GKS06 - 3A □□□ 080C22 MDSKA□□ 080-22 140
130	158	3.6	26.017	326	9324	472	9325	679	124	2.11E-03	GKS06 - 3A □□□ 080C22 MDSKA□□ 080-22 140
142	144	3.3	28.461	357	9324	516	9325	682	115	2.09E-03	GKS06 - 3A □□□ 080C22 MDSKA□□ 080-22 140

Observe the notes for thermal dimensioning.

Selection tables - Helical-bevel gearboxes

Naturally ventilated asynchronous geared servo motors

M ₂ [Nm]	n ₂ trans [rpm]	c	i	M ₂ max short-time on geared motor at				M ₂ Gr gearbox c=1 n ₁ ≤ 1400 rpm [Nm]	n ₂ therm [rpm]	J _{GM} referred to motor shaft [kgm ²]	Helical-bevel geared servo motor Dimensions on Page 6-88
				8 kHz		16 kHz					
				M ₂ max [Nm]	Type EVS	M ₂ max [Nm]	Type EVS				
162	128	2.7	32.063	402	9324	582	9325	610	98	2.08E-03	GKS06 - 3A □□□ 080C22 MDSKA□□ 080-22 140
183	113	2.6	36.303	455	9324	659	9325	685	96	2.04E-03	GKS06 - 3A □□□ 080C22 MDSKA□□ 080-22 140
210	99	2.3	41.472	520	9324	752	9325	689	61	2.13E-03	GKS06 - 3A □□□ 080C22 MDSKA□□ 080-22 140
225	92	2.5	44.471	558	9324	807	9325	689	81	2.01E-03	GKS06 - 3A □□□ 080C22 MDSKA□□ 080-22 140
269	77	2.1	53.074	666	9324	963	9325	695	54	2.07E-03	GKS06 - 3A □□□ 080C22 MDSKA□□ 080-22 140
294	71	1.9	57.882	726	9324	1043	9325	695	62	1.98E-03	GKS06 - 3A □□□ 080C22 MDSKA□□ 080-22 140
333	63	1.5	65.207	818	9324	936	9325	624	55	1.98E-03	GKS06 - 3A □□□ 080C22 MDSKA□□ 080-22 140
367	57	1.5	72.000	903	9324	1053	9325	702	50	1.96E-03	GKS06 - 3A □□□ 080C22 MDSKA□□ 080-22 140
415	51	1.2	81.111	945	9324	945	9325	630	44	1.96E-03	GKS06 - 3A □□□ 080C22 MDSKA□□ 080-22 140
65	355	3.4	6.485	150	9324	213	9325	263	355	4.19E-03	GKS06 - 3A □□□ 090C22 MDSKA□□ 090-22 80
92	250	3.4	9.196	213	9324	301	9325	373	250	4.10E-03	GKS06 - 3A □□□ 090C22 MDSKA□□ 090-22 80
101	227	3.4	10.147	235	9324	333	9325	412	227	4.09E-03	GKS06 - 3A □□□ 090C22 MDSKA□□ 090-22 80
115	202	2.5	11.382	264	9324	373	9325	331	202	3.85E-03	GKS06 - 3A □□□ 090C22 MDSKA□□ 090-22 80
127	182	2.9	12.612	292	9324	413	9325	426	182	3.92E-03	GKS06 - 3A □□□ 090C22 MDSKA□□ 090-22 80
148	155	3.4	14.824	344	9324	486	9325	600	155	4.03E-03	GKS06 - 3A □□□ 090C22 MDSKA□□ 090-22 80
168	138	3.1	16.699	387	9324	547	9325	604	138	4.02E-03	GKS06 - 3A □□□ 090C22 MDSKA□□ 090-22 80
180	129	2.5	17.809	413	9324	584	9325	518	129	3.81E-03	GKS06 - 3A □□□ 090C22 MDSKA□□ 090-22 80
205	113	2.8	20.329	471	9324	666	9325	665	113	3.88E-03	GKS06 - 3A □□□ 090C22 MDSKA□□ 090-22 80
232	100	2.2	22.902	531	9324	751	9325	606	100	3.87E-03	GKS06 - 3A □□□ 090C22 MDSKA□□ 090-22 80
264	88	2.2	26.017	603	9324	853	9325	679	88	3.79E-03	GKS06 - 3A □□□ 090C22 MDSKA□□ 090-22 80
289	81	2.0	28.461	660	9324	933	9325	682	81	3.77E-03	GKS06 - 3A □□□ 090C22 MDSKA□□ 090-22 80
327	72	1.6	32.063	743	9324	915	9325	610	72	3.76E-03	GKS06 - 3A □□□ 090C22 MDSKA□□ 090-22 80
370	63	1.6	36.303	841	9324	1028	9325	685	63	3.72E-03	GKS06 - 3A □□□ 090C22 MDSKA□□ 090-22 80
424	55	1.4	41.472	961	9324	1034	9325	689	49	3.81E-03	GKS06 - 3A □□□ 090C22 MDSKA□□ 090-22 80
454	52	1.5	44.471	1031	9324	1034	9325	689	52	3.69E-03	GKS06 - 3A □□□ 090C22 MDSKA□□ 090-22 80
543	43	1.3	53.074	1043	9324	1043	9325	695	41	3.75E-03	GKS06 - 3A □□□ 090C22 MDSKA□□ 090-22 80
57	634	3.2	6.485	144	9325	173	9326	263	359	4.19E-03	GKS06 - 3A □□□ 090C22 MDSKA□□ 090-22 140
81	447	3.2	9.196	204	9325	245	9326	373	253	4.10E-03	GKS06 - 3A □□□ 090C22 MDSKA□□ 090-22 140
89	405	3.2	10.147	226	9325	270	9326	412	230	4.09E-03	GKS06 - 3A □□□ 090C22 MDSKA□□ 090-22 140
101	361	2.3	11.382	253	9325	303	9326	331	257	3.85E-03	GKS06 - 3A □□□ 090C22 MDSKA□□ 090-22 140
112	326	2.7	12.612	280	9325	335	9326	426	207	3.92E-03	GKS06 - 3A □□□ 090C22 MDSKA□□ 090-22 140
131	277	3.2	14.824	330	9325	394	9326	600	157	4.03E-03	GKS06 - 3A □□□ 090C22 MDSKA□□ 090-22 140
148	246	2.9	16.699	371	9325	444	9326	604	136	4.02E-03	GKS06 - 3A □□□ 090C22 MDSKA□□ 090-22 140
158	231	2.3	17.809	396	9325	474	9326	518	165	3.81E-03	GKS06 - 3A □□□ 090C22 MDSKA□□ 090-22 140

Observe the notes for thermal dimensioning.

Selection tables - Helical-bevel gearboxes

Naturally ventilated asynchronous geared servo motors



M ₂ [Nm]	n _{2 trans} [rpm]	c	i	M _{2 max} short-time on geared motor at				M _{2 Gr} gearbox c=1 n ₁ ≤ 1400 rpm [Nm]	n _{2 therm} [rpm]	J _{GM} referred to motor shaft [kgm ²]	Helical-bevel geared servo motor Dimensions on Page 6-88
				8 kHz		16 kHz					
				M _{2 max} [Nm]	Type EVS	M _{2 max} [Nm]	Type EVS				
180	202	2.6	20.329	452	9325	541	9326	665	127	3.88E-03	GKS06 - 3A □□□ 090C22 MDSKA□□ 090-22 140
204	179	2.1	22.902	509	9325	609	9326	606	108	3.87E-03	GKS06 - 3A □□□ 090C22 MDSKA□□ 090-22 140
232	158	2.1	26.017	578	9325	692	9326	679	110	3.79E-03	GKS06 - 3A □□□ 090C22 MDSKA□□ 090-22 140
254	144	1.9	28.461	633	9325	757	9326	682	101	3.77E-03	GKS06 - 3A □□□ 090C22 MDSKA□□ 090-22 140
288	128	1.5	32.063	713	9325	853	9326	610	79	3.76E-03	GKS06 - 3A □□□ 090C22 MDSKA□□ 090-22 140
326	113	1.5	36.303	807	9325	966	9326	685	79	3.72E-03	GKS06 - 3A □□□ 090C22 MDSKA□□ 090-22 140
373	99	1.3	41.472	922	9325	1034	9326	689	47	3.81E-03	GKS06 - 3A □□□ 090C22 MDSKA□□ 090-22 140
400	92	1.4	44.471	988	9325	1034	9326	689	70	3.69E-03	GKS06 - 3A □□□ 090C22 MDSKA□□ 090-22 140
478	77	1.2	53.074	1043	9325	1043	9326	695	40	3.75E-03	GKS06 - 3A □□□ 090C22 MDSKA□□ 090-22 140
190	38	2.9	103.721	431	9322	513	9323	685	38	2.70E-04	GKS06 - 4A □□□ 056C22 MDSKA□□ 056-22 140
208	35	2.3	113.205	470	9322	560	9323	537	35	2.63E-04	GKS06 - 4A □□□ 056C22 MDSKA□□ 056-22 140
233	31	2.6	127.059	528	9322	629	9323	689	31	2.66E-04	GKS06 - 4A □□□ 056C22 MDSKA□□ 056-22 140
261	28	1.9	140.816	585	9322	697	9323	537	28	2.61E-04	GKS06 - 4A □□□ 056C22 MDSKA□□ 056-22 140
287	25	2.2	155.647	647	9322	770	9323	689	25	2.59E-04	GKS06 - 4A □□□ 056C22 MDSKA□□ 056-22 140
324	23	1.5	174.336	724	9322	806	9323	537	23	2.51E-04	GKS06 - 4A □□□ 056C22 MDSKA□□ 056-22 140
376	20	1.7	202.588	842	9322	1003	9323	695	20	2.57E-04	GKS06 - 4A □□□ 056C22 MDSKA□□ 056-22 140
419	18	1.2	224.524	806	9322	806	9323	537	18	2.47E-04	GKS06 - 4A □□□ 056C22 MDSKA□□ 056-22 140
469	16	1.4	252.000	1047	9322	1053	9323	702	16	2.55E-04	GKS06 - 4A □□□ 056C22 MDSKA□□ 056-22 140
591	12	1.1	316.800	1053	9322	1053	9323	702	12	2.50E-04	GKS06 - 4A □□□ 056C22 MDSKA□□ 056-22 140
386	39	1.4	103.721	1028	9324	891	9324	685	39	8.60E-04	GKS06 - 4A □□□ 071C22 MDSKA□□ 071-22 140
422	36	1.1	113.205	806	9324	806	9324	537	36	8.53E-04	GKS06 - 4A □□□ 071C22 MDSKA□□ 071-22 140
473	32	1.3	127.059	1034	9324	1034	9324	689	32	8.56E-04	GKS06 - 4A □□□ 071C22 MDSKA□□ 071-22 140
581	26	1.1	155.647	1034	9324	1034	9324	689	26	8.49E-04	GKS06 - 4A □□□ 071C22 MDSKA□□ 071-22 140
190	38	5.0	104.296	441	9322	525	9323	1215	38	3.20E-04	GKS07 - 3A □□□ 056C22 MDSKA□□ 056-22 140
203	35	5.7	112.338	475	9322	566	9323	1330	35	2.99E-04	GKS07 - 3A □□□ 056C22 MDSKA□□ 056-22 140
231	31	4.6	126.578	535	9322	637	9323	1215	31	2.99E-04	GKS07 - 3A □□□ 056C22 MDSKA□□ 056-22 140
342	21	3.5	184.600	780	9322	929	9323	1330	21	3.09E-04	GKS07 - 3A □□□ 056C22 MDSKA□□ 056-22 140
388	19	2.8	208.000	879	9322	1047	9323	1215	19	3.09E-04	GKS07 - 3A □□□ 056C22 MDSKA□□ 056-22 140
417	18	2.9	224.037	947	9322	1128	9323	1330	18	2.91E-04	GKS07 - 3A □□□ 056C22 MDSKA□□ 056-22 140
473	16	2.3	252.436	1067	9322	1271	9323	1215	16	2.91E-04	GKS07 - 3A □□□ 056C22 MDSKA□□ 056-22 140
531	14	2.3	283.193	1197	9322	1426	9323	1330	14	2.73E-04	GKS07 - 3A □□□ 056C22 MDSKA□□ 056-22 140
601	12	1.8	319.091	1349	9322	1606	9323	1215	12	2.73E-04	GKS07 - 3A □□□ 056C22 MDSKA□□ 056-22 140
210	70	4.9	57.501	688	9324	503	9324	1310	70	1.00E-03	GKS07 - 3A □□□ 071C22 MDSKA□□ 071-22 140
238	63	4.0	64.790	775	9324	566	9324	1195	63	1.00E-03	GKS07 - 3A □□□ 071C22 MDSKA□□ 071-22 140

Observe the notes for thermal dimensioning.

Selection tables - Helical-bevel gearboxes

Naturally ventilated asynchronous geared servo motors

M ₂ [Nm]	n ₂ trans [rpm]	c	i	M ₂ max short-time on geared motor at				M ₂ Gr gearbox c=1 n ₁ ≤ 1400 rpm [Nm]	n ₂ therm [rpm]	J _{GM} referred to motor shaft [kgm ²]	Helical-bevel geared servo motor Dimensions on Page 6-88
				8 kHz		16 kHz					
				M ₂ max [Nm]	Type EVS	M ₂ max [Nm]	Type EVS				
259	57	4.0	70.474	844	9324	616	9324	1320	57	9.59E-04	GKS07 - 3A □□□ 071C22 MDSKA□□ 071-22 140
295	51	3.3	79.407	950	9324	694	9324	1205	51	9.58E-04	GKS07 - 3A □□□ 071C22 MDSKA□□ 071-22 140
344	44	3.1	92.563	1108	9324	809	9324	1330	44	9.11E-04	GKS07 - 3A □□□ 071C22 MDSKA□□ 071-22 140
390	39	2.5	104.296	1248	9324	911	9324	1215	39	9.10E-04	GKS07 - 3A □□□ 071C22 MDSKA□□ 071-22 140
419	36	2.8	112.338	1345	9324	982	9324	1330	36	8.89E-04	GKS07 - 3A □□□ 071C22 MDSKA□□ 071-22 140
474	32	2.3	126.578	1515	9324	1106	9324	1215	32	8.89E-04	GKS07 - 3A □□□ 071C22 MDSKA□□ 071-22 140
527	29	2.3	140.548	1682	9324	1228	9324	1330	29	9.41E-04	GKS07 - 3A □□□ 071C22 MDSKA□□ 071-22 140
596	26	1.8	158.364	1823	9324	1384	9324	1215	26	9.41E-04	GKS07 - 3A □□□ 071C22 MDSKA□□ 071-22 140
696	22	1.7	184.600	1995	9324	1613	9324	1330	22	8.99E-04	GKS07 - 3A □□□ 071C22 MDSKA□□ 071-22 140
787	19	1.4	208.000	1823	9324	1818	9324	1215	19	8.99E-04	GKS07 - 3A □□□ 071C22 MDSKA□□ 071-22 140
848	18	1.4	224.037	1995	9324	1958	9324	1330	18	8.81E-04	GKS07 - 3A □□□ 071C22 MDSKA□□ 071-22 140
958	16	1.1	252.436	1823	9324	1823	9324	1215	16	8.81E-04	GKS07 - 3A □□□ 071C22 MDSKA□□ 071-22 140
1075	14	1.1	283.193	1995	9324	1995	9324	1330	14	8.63E-04	GKS07 - 3A □□□ 071C22 MDSKA□□ 071-22 140
194	63	5.3	31.858	457	9323	642	9324	1172	63	2.47E-03	GKS07 - 3A □□□ 080C22 MDSKA□□ 080-22 70
220	55	5.1	36.063	517	9323	726	9324	1290	55	2.28E-03	GKS07 - 3A □□□ 080C22 MDSKA□□ 080-22 70
270	45	4.6	44.178	634	9323	890	9324	1300	45	2.20E-03	GKS07 - 3A □□□ 080C22 MDSKA□□ 080-22 70
310	40	4.1	50.345	722	9323	1014	9324	1300	40	2.45E-03	GKS07 - 3A □□□ 080C22 MDSKA□□ 080-22 70
356	35	3.6	57.501	825	9323	1158	9324	1310	35	2.09E-03	GKS07 - 3A □□□ 080C22 MDSKA□□ 080-22 70
404	31	2.9	64.790	929	9323	1305	9324	1195	31	2.09E-03	GKS07 - 3A □□□ 080C22 MDSKA□□ 080-22 70
439	28	2.9	70.474	1011	9323	1419	9324	1320	28	2.05E-03	GKS07 - 3A □□□ 080C22 MDSKA□□ 080-22 70
498	25	2.4	79.407	1139	9323	1599	9324	1205	25	2.05E-03	GKS07 - 3A □□□ 080C22 MDSKA□□ 080-22 70
581	22	2.3	92.563	1328	9323	1864	9324	1330	22	2.00E-03	GKS07 - 3A □□□ 080C22 MDSKA□□ 080-22 70
658	19	1.8	104.296	1496	9323	1823	9324	1215	19	2.00E-03	GKS07 - 3A □□□ 080C22 MDSKA□□ 080-22 70
708	18	1.9	112.338	1611	9323	1995	9324	1330	18	1.98E-03	GKS07 - 3A □□□ 080C22 MDSKA□□ 080-22 70
801	16	1.5	126.578	1816	9323	1823	9324	1215	16	1.98E-03	GKS07 - 3A □□□ 080C22 MDSKA□□ 080-22 70
890	14	1.5	140.548	1995	9323	1995	9324	1330	14	2.03E-03	GKS07 - 3A □□□ 080C22 MDSKA□□ 080-22 70
1006	13	1.2	158.364	1823	9323	1823	9324	1215	13	2.03E-03	GKS07 - 3A □□□ 080C22 MDSKA□□ 080-22 70
1173	11	1.1	184.600	1995	9323	1995	9324	1330	11	1.99E-03	GKS07 - 3A □□□ 080C22 MDSKA□□ 080-22 70
137	145	5.9	28.274	355	9324	513	9325	1202	108	2.48E-03	GKS07 - 3A □□□ 080C22 MDSKA□□ 080-22 140
156	129	5.1	31.858	399	9324	578	9325	1172	93	2.47E-03	GKS07 - 3A □□□ 080C22 MDSKA□□ 080-22 140
177	114	5.0	36.063	452	9324	654	9325	1290	96	2.28E-03	GKS07 - 3A □□□ 080C22 MDSKA□□ 080-22 140
218	93	4.7	44.178	554	9324	802	9325	1300	81	2.20E-03	GKS07 - 3A □□□ 080C22 MDSKA□□ 080-22 140
250	81	4.1	50.345	631	9324	913	9325	1300	54	2.45E-03	GKS07 - 3A □□□ 080C22 MDSKA□□ 080-22 140
287	71	3.6	57.501	721	9324	1043	9325	1310	62	2.09E-03	GKS07 - 3A □□□ 080C22 MDSKA□□ 080-22 140

Observe the notes for thermal dimensioning.

Selection tables - Helical-bevel gearboxes

Naturally ventilated asynchronous geared servo motors



M ₂ [Nm]	n _{2 trans} [rpm]	c	i	M _{2 max} short-time on geared motor at				M _{2 Gr} gearbox c=1 n ₁ ≤ 1400 rpm [Nm]	n _{2 therm} [rpm]	J _{GM} referred to motor shaft [kgm ²]	Helical-bevel geared servo motor Dimensions on Page 6-88
				8 kHz		16 kHz					
				M _{2 max} [Nm]	Type EVS	M _{2 max} [Nm]	Type EVS				
326	63	2.9	64.790	812	9324	1175	9325	1195	55	2.09E-03	GKS07 - 3A □□□ 080C22 MDSKA□□ 080-22 140
354	58	3.0	70.474	884	9324	1279	9325	1320	51	2.05E-03	GKS07 - 3A □□□ 080C22 MDSKA□□ 080-22 140
401	52	2.4	79.407	996	9324	1441	9325	1205	45	2.05E-03	GKS07 - 3A □□□ 080C22 MDSKA□□ 080-22 140
468	44	2.3	92.563	1161	9324	1679	9325	1330	39	2.00E-03	GKS07 - 3A □□□ 080C22 MDSKA□□ 080-22 140
530	39	1.8	104.296	1308	9324	1823	9325	1215	34	2.00E-03	GKS07 - 3A □□□ 080C22 MDSKA□□ 080-22 140
570	37	2.1	112.338	1409	9324	1995	9325	1330	32	1.98E-03	GKS07 - 3A □□□ 080C22 MDSKA□□ 080-22 140
645	32	1.7	126.578	1587	9324	1823	9325	1215	28	1.98E-03	GKS07 - 3A □□□ 080C22 MDSKA□□ 080-22 140
716	29	1.7	140.548	1762	9324	1995	9325	1330	26	2.03E-03	GKS07 - 3A □□□ 080C22 MDSKA□□ 080-22 140
809	26	1.3	158.364	1823	9324	1823	9325	1215	23	2.03E-03	GKS07 - 3A □□□ 080C22 MDSKA□□ 080-22 140
944	22	1.3	184.600	1995	9324	1995	9325	1330	19	1.99E-03	GKS07 - 3A □□□ 080C22 MDSKA□□ 080-22 140
1067	20	1.0	208.000	1823	9324	1823	9325	1215	17	1.99E-03	GKS07 - 3A □□□ 080C22 MDSKA□□ 080-22 140
1149	18	1.0	224.037	1995	9324	1995	9325	1330	16	1.97E-03	GKS07 - 3A □□□ 080C22 MDSKA□□ 080-22 140
81	279	5.5	8.254	191	9324	271	9325	541	279	4.78E-03	GKS07 - 3A □□□ 090C22 MDSKA□□ 090-22 80
112	202	4.6	11.378	264	9324	373	9325	613	202	4.30E-03	GKS07 - 3A □□□ 090C22 MDSKA□□ 090-22 80
124	181	5.5	12.711	295	9324	417	9325	832	181	4.62E-03	GKS07 - 3A □□□ 090C22 MDSKA□□ 090-22 80
144	155	5.9	14.798	343	9324	485	9325	1040	153	5.03E-03	GKS07 - 3A □□□ 090C22 MDSKA□□ 090-22 80
163	138	5.4	16.674	387	9324	546	9325	1071	134	5.00E-03	GKS07 - 3A □□□ 090C22 MDSKA□□ 090-22 80
170	133	4.9	17.270	400	9324	566	9325	998	133	4.33E-03	GKS07 - 3A □□□ 090C22 MDSKA□□ 090-22 80
202	112	4.6	20.511	475	9324	672	9325	1110	112	4.51E-03	GKS07 - 3A □□□ 090C22 MDSKA□□ 090-22 80
229	100	4.3	23.111	536	9324	757	9325	1168	100	4.49E-03	GKS07 - 3A □□□ 090C22 MDSKA□□ 090-22 80
251	91	3.9	25.244	585	9324	827	9325	1177	91	4.27E-03	GKS07 - 3A □□□ 090C22 MDSKA□□ 090-22 80
282	81	3.6	28.274	655	9324	927	9325	1202	81	4.16E-03	GKS07 - 3A □□□ 090C22 MDSKA□□ 090-22 80
320	72	3.1	31.858	738	9324	1044	9325	1172	72	4.15E-03	GKS07 - 3A □□□ 090C22 MDSKA□□ 090-22 80
362	64	3.0	36.063	836	9324	1182	9325	1290	64	3.96E-03	GKS07 - 3A □□□ 090C22 MDSKA□□ 090-22 80
412	56	2.7	40.906	948	9324	1341	9325	1290	54	4.29E-03	GKS07 - 3A □□□ 090C22 MDSKA□□ 090-22 80
444	52	2.8	44.178	1024	9324	1448	9325	1300	52	3.88E-03	GKS07 - 3A □□□ 090C22 MDSKA□□ 090-22 80
508	46	2.5	50.345	1167	9324	1650	9325	1300	46	4.13E-03	GKS07 - 3A □□□ 090C22 MDSKA□□ 090-22 80
582	40	2.2	57.501	1333	9324	1884	9325	1310	40	3.77E-03	GKS07 - 3A □□□ 090C22 MDSKA□□ 090-22 80
659	36	1.8	64.790	1502	9324	1793	9325	1195	36	3.77E-03	GKS07 - 3A □□□ 090C22 MDSKA□□ 090-22 80
717	33	1.8	70.474	1633	9324	1980	9325	1320	33	3.73E-03	GKS07 - 3A □□□ 090C22 MDSKA□□ 090-22 80
811	29	1.5	79.407	1808	9324	1808	9325	1205	29	3.73E-03	GKS07 - 3A □□□ 090C22 MDSKA□□ 090-22 80
71	498	5.2	8.254	184	9325	220	9326	541	307	4.78E-03	GKS07 - 3A □□□ 090C22 MDSKA□□ 090-22 140
99	361	4.3	11.378	253	9325	303	9326	613	252	4.30E-03	GKS07 - 3A □□□ 090C22 MDSKA□□ 090-22 140
110	323	5.2	12.711	283	9325	338	9326	832	199	4.62E-03	GKS07 - 3A □□□ 090C22 MDSKA□□ 090-22 140

Observe the notes for thermal dimensioning.

Selection tables - Helical-bevel gearboxes

Naturally ventilated asynchronous geared servo motors

M ₂ [Nm]	n _{2 trans} [rpm]	c	i	M _{2 max} short-time on geared motor at				M _{2 Gr} gearbox c=1 n ₁ ≤ 1400 rpm [Nm]	n _{2 therm} [rpm]	J _{GM} referred to motor shaft [kgm ²]	Helical-bevel geared servo motor Dimensions on Page 6-88
				8 kHz		16 kHz					
				M _{2 max} [Nm]	Type EVS	M _{2 max} [Nm]	Type EVS				
127	278	5.6	14.798	329	9325	394	9326	1040	151	5.03E-03	GKS07 - 3A □□□ 090C22 MDSKA□□ 090-22 140
144	246	5.1	16.674	371	9325	444	9326	1071	132	5.00E-03	GKS07 - 3A □□□ 090C22 MDSKA□□ 090-22 140
150	238	4.6	17.270	384	9325	459	9326	998	162	4.33E-03	GKS07 - 3A □□□ 090C22 MDSKA□□ 090-22 140
179	200	4.3	20.511	456	9325	546	9326	1110	119	4.51E-03	GKS07 - 3A □□□ 090C22 MDSKA□□ 090-22 140
202	178	4.0	23.111	514	9325	615	9326	1168	104	4.49E-03	GKS07 - 3A □□□ 090C22 MDSKA□□ 090-22 140
221	163	3.7	25.244	561	9325	671	9326	1177	106	4.27E-03	GKS07 - 3A □□□ 090C22 MDSKA□□ 090-22 140
249	145	3.4	28.274	628	9325	752	9326	1202	97	4.16E-03	GKS07 - 3A □□□ 090C22 MDSKA□□ 090-22 140
282	129	2.9	31.858	708	9325	847	9326	1172	83	4.15E-03	GKS07 - 3A □□□ 090C22 MDSKA□□ 090-22 140
319	114	2.8	36.063	802	9325	959	9326	1290	86	3.96E-03	GKS07 - 3A □□□ 090C22 MDSKA□□ 090-22 140
363	100	2.5	40.906	909	9325	1088	9326	1290	53	4.29E-03	GKS07 - 3A □□□ 090C22 MDSKA□□ 090-22 140
392	93	2.6	44.178	982	9325	1175	9326	1300	70	3.88E-03	GKS07 - 3A □□□ 090C22 MDSKA□□ 090-22 140
448	82	2.3	50.345	1119	9325	1339	9326	1300	48	4.13E-03	GKS07 - 3A □□□ 090C22 MDSKA□□ 090-22 140
513	71	2.1	57.501	1278	9325	1529	9326	1310	54	3.77E-03	GKS07 - 3A □□□ 090C22 MDSKA□□ 090-22 140
581	63	1.7	64.790	1440	9325	1723	9326	1195	48	3.77E-03	GKS07 - 3A □□□ 090C22 MDSKA□□ 090-22 140
631	58	1.7	70.474	1566	9325	1874	9326	1320	44	3.73E-03	GKS07 - 3A □□□ 090C22 MDSKA□□ 090-22 140
714	52	1.4	79.407	1765	9325	1808	9326	1205	39	3.73E-03	GKS07 - 3A □□□ 090C22 MDSKA□□ 090-22 140
89	393	4.4	5.955	267	9325	191	9325	471	357	9.13E-03	GKS07 - 3A □□□ 100C22 MDSKA□□ 100-22 80
124	284	3.6	8.254	370	9325	265	9325	541	284	8.38E-03	GKS07 - 3A □□□ 100C22 MDSKA□□ 100-22 80
137	255	4.4	9.171	411	9325	294	9325	725	232	8.80E-03	GKS07 - 3A □□□ 100C22 MDSKA□□ 100-22 80
151	231	4.4	10.124	454	9325	325	9325	800	210	8.79E-03	GKS07 - 3A □□□ 100C22 MDSKA□□ 100-22 80
172	206	3.0	11.378	510	9325	365	9325	613	206	7.90E-03	GKS07 - 3A □□□ 100C22 MDSKA□□ 100-22 80
191	184	3.6	12.711	570	9325	408	9325	832	184	8.22E-03	GKS07 - 3A □□□ 100C22 MDSKA□□ 100-22 80
222	158	3.9	14.798	664	9325	475	9325	1040	140	8.63E-03	GKS07 - 3A □□□ 100C22 MDSKA□□ 100-22 80
251	140	3.6	16.674	748	9325	535	9325	1071	122	8.60E-03	GKS07 - 3A □□□ 100C22 MDSKA□□ 100-22 80
261	136	3.2	17.270	774	9325	555	9325	998	136	7.93E-03	GKS07 - 3A □□□ 100C22 MDSKA□□ 100-22 80
311	114	3.0	20.511	920	9325	659	9325	1110	110	8.11E-03	GKS07 - 3A □□□ 100C22 MDSKA□□ 100-22 80
351	101	2.8	23.111	1036	9325	742	9325	1168	96	8.09E-03	GKS07 - 3A □□□ 100C22 MDSKA□□ 100-22 80
384	93	2.6	25.244	1132	9325	811	9325	1177	93	7.87E-03	GKS07 - 3A □□□ 100C22 MDSKA□□ 100-22 80
431	83	2.4	28.274	1268	9325	908	9325	1202	83	7.76E-03	GKS07 - 3A □□□ 100C22 MDSKA□□ 100-22 80
488	73	2.0	31.858	1428	9325	1023	9325	1172	73	7.75E-03	GKS07 - 3A □□□ 100C22 MDSKA□□ 100-22 80
553	65	2.0	36.063	1617	9325	1158	9325	1290	65	7.56E-03	GKS07 - 3A □□□ 100C22 MDSKA□□ 100-22 80
628	57	1.8	40.906	1834	9325	1313	9325	1290	47	7.89E-03	GKS07 - 3A □□□ 100C22 MDSKA□□ 100-22 80
678	53	1.9	44.178	1950	9325	1418	9325	1300	53	7.48E-03	GKS07 - 3A □□□ 100C22 MDSKA□□ 100-22 80
774	46	1.6	50.345	1950	9325	1616	9325	1300	41	7.73E-03	GKS07 - 3A □□□ 100C22 MDSKA□□ 100-22 80

Observe the notes for thermal dimensioning.

Selection tables - Helical-bevel gearboxes

Naturally ventilated asynchronous geared servo motors



M ₂ [Nm]	n _{2 trans} [rpm]	c	i	M _{2 max} short-time on geared motor at				M _{2 Gr} gearbox c=1 n ₁ ≤ 1400 rpm [Nm]	n _{2 therm} [rpm]	J _{GM} referred to motor shaft [kgm ²]	Helical-bevel geared servo motor Dimensions on Page 6-88
				8 kHz		16 kHz					
				M _{2 max} [Nm]	Type EVS	M _{2 max} [Nm]	Type EVS				
65	697	4.9	5.955	245	9326	146	9326	471	367	9.13E-03	GKS07 - 3A □□□ 100C22 MDSKA□□ 100-22 140
91	503	4.1	8.254	340	9326	202	9326	541	292	8.38E-03	GKS07 - 3A □□□ 100C22 MDSKA□□ 100-22 140
100	453	4.9	9.171	377	9326	225	9326	725	238	8.80E-03	GKS07 - 3A □□□ 100C22 MDSKA□□ 100-22 140
111	410	4.9	10.124	416	9326	248	9326	800	216	8.79E-03	GKS07 - 3A □□□ 100C22 MDSKA□□ 100-22 140
126	365	3.4	11.378	468	9326	279	9326	613	215	7.90E-03	GKS07 - 3A □□□ 100C22 MDSKA□□ 100-22 140
140	326	4.1	12.711	523	9326	312	9326	832	190	8.22E-03	GKS07 - 3A □□□ 100C22 MDSKA□□ 100-22 140
163	280	4.4	14.798	609	9326	363	9326	1040	144	8.63E-03	GKS07 - 3A □□□ 100C22 MDSKA□□ 100-22 140
184	249	4.0	16.674	686	9326	409	9326	1071	125	8.60E-03	GKS07 - 3A □□□ 100C22 MDSKA□□ 100-22 140
191	240	3.6	17.270	710	9326	423	9326	998	142	7.93E-03	GKS07 - 3A □□□ 100C22 MDSKA□□ 100-22 140
228	202	3.4	20.511	844	9326	503	9326	1110	113	8.11E-03	GKS07 - 3A □□□ 100C22 MDSKA□□ 100-22 140
257	180	3.2	23.111	951	9326	566	9326	1168	99	8.09E-03	GKS07 - 3A □□□ 100C22 MDSKA□□ 100-22 140
282	164	2.9	25.244	1038	9326	619	9326	1177	97	7.87E-03	GKS07 - 3A □□□ 100C22 MDSKA□□ 100-22 140
317	147	2.7	28.274	1163	9326	693	9326	1202	87	7.76E-03	GKS07 - 3A □□□ 100C22 MDSKA□□ 100-22 140
358	130	2.3	31.858	1310	9326	781	9326	1172	77	7.75E-03	GKS07 - 3A □□□ 100C22 MDSKA□□ 100-22 140
406	115	2.2	36.063	1483	9326	884	9326	1290	68	7.56E-03	GKS07 - 3A □□□ 100C22 MDSKA□□ 100-22 140
461	101	2.0	40.906	1682	9326	1003	9326	1290	50	7.89E-03	GKS07 - 3A □□□ 100C22 MDSKA□□ 100-22 140
498	94	2.1	44.178	1817	9326	1083	9326	1300	55	7.48E-03	GKS07 - 3A □□□ 100C22 MDSKA□□ 100-22 140
569	82	1.8	50.345	1950	9326	1234	9326	1300	44	7.73E-03	GKS07 - 3A □□□ 100C22 MDSKA□□ 100-22 140
136	418	2.9	5.955	441	9326	316	9326	471	323	1.99E-02	GKS07 - 3A □□□ 112C22 MDSKA□□ 112-22 85
190	302	2.4	8.254	612	9326	438	9326	541	244	1.92E-02	GKS07 - 3A □□□ 112C22 MDSKA□□ 112-22 85
210	272	2.9	9.171	680	9326	486	9326	725	210	1.96E-02	GKS07 - 3A □□□ 112C22 MDSKA□□ 112-22 85
232	246	2.9	10.124	750	9326	537	9326	800	190	1.96E-02	GKS07 - 3A □□□ 112C22 MDSKA□□ 112-22 85
263	219	1.9	11.378	843	9326	603	9326	613	177	1.87E-02	GKS07 - 3A □□□ 112C22 MDSKA□□ 112-22 85
293	196	2.4	12.711	942	9326	674	9326	832	158	1.90E-02	GKS07 - 3A □□□ 112C22 MDSKA□□ 112-22 85
340	168	2.5	14.798	1096	9326	784	9326	1040	126	1.94E-02	GKS07 - 3A □□□ 112C22 MDSKA□□ 112-22 85
384	149	2.3	16.674	1235	9326	884	9326	1071	110	1.94E-02	GKS07 - 3A □□□ 112C22 MDSKA□□ 112-22 85
399	144	2.1	17.270	1280	9326	915	9326	998	117	1.87E-02	GKS07 - 3A □□□ 112C22 MDSKA□□ 112-22 85
474	121	2.0	20.511	1520	9326	1087	9326	1110	98	1.89E-02	GKS07 - 3A □□□ 112C22 MDSKA□□ 112-22 85
535	108	1.8	23.111	1712	9326	1225	9326	1168	84	1.89E-02	GKS07 - 3A □□□ 112C22 MDSKA□□ 112-22 85
586	99	1.7	25.244	1766	9326	1338	9326	1177	80	1.87E-02	GKS07 - 3A □□□ 112C22 MDSKA□□ 112-22 85
657	88	1.5	28.274	1803	9326	1499	9326	1202	71	1.86E-02	GKS07 - 3A □□□ 112C22 MDSKA□□ 112-22 85
742	78	1.3	31.858	1758	9326	1689	9326	1172	61	1.85E-02	GKS07 - 3A □□□ 112C22 MDSKA□□ 112-22 85
954	61	1.1	40.906	1935	9326	1935	9326	1290	37	1.87E-02	GKS07 - 3A □□□ 112C22 MDSKA□□ 112-22 85
1176	49	1.1	50.345	1950	9326	1950	9326	1300	33	1.85E-02	GKS07 - 3A □□□ 112C22 MDSKA□□ 112-22 85

Observe the notes for thermal dimensioning.

Selection tables - Helical-bevel gearboxes

Naturally ventilated asynchronous geared servo motors

M ₂ [Nm]	n ₂ trans [rpm]	c	i	M ₂ max short-time on geared motor at				M ₂ Gr gearbox c=1 n ₁ ≤ 1400 rpm [Nm]	n ₂ therm [rpm]	J _{GM} referred to motor shaft [kgm ²]	Helical-bevel geared servo motor Dimensions on Page 6-88
				8 kHz		16 kHz					
				M ₂ max [Nm]	Type EVS	M ₂ max [Nm]	Type EVS				
94	699	3.5	5.955	248	9326	212	9327	471	338	1.99E-02	GKS07 - 3A □□□ 112C22 MDSKA□□ 112-22 140
131	504	2.9	8.254	344	9326	294	9327	541	244	1.92E-02	GKS07 - 3A □□□ 112C22 MDSKA□□ 112-22 140
144	454	3.5	9.171	382	9326	327	9327	725	220	1.96E-02	GKS07 - 3A □□□ 112C22 MDSKA□□ 112-22 140
159	411	3.5	10.124	422	9326	361	9327	800	199	1.96E-02	GKS07 - 3A □□□ 112C22 MDSKA□□ 112-22 140
181	366	2.4	11.378	474	9326	405	9327	613	177	1.87E-02	GKS07 - 3A □□□ 112C22 MDSKA□□ 112-22 140
201	327	2.9	12.711	530	9326	453	9327	832	158	1.90E-02	GKS07 - 3A □□□ 112C22 MDSKA□□ 112-22 140
234	281	3.1	14.798	617	9326	527	9327	1040	133	1.94E-02	GKS07 - 3A □□□ 112C22 MDSKA□□ 112-22 140
264	249	2.8	16.674	695	9326	594	9327	1071	115	1.94E-02	GKS07 - 3A □□□ 112C22 MDSKA□□ 112-22 140
274	241	2.5	17.270	720	9326	615	9327	998	117	1.87E-02	GKS07 - 3A □□□ 112C22 MDSKA□□ 112-22 140
326	203	2.4	20.511	855	9326	731	9327	1110	98	1.89E-02	GKS07 - 3A □□□ 112C22 MDSKA□□ 112-22 140
368	180	2.2	23.111	964	9326	823	9327	1168	87	1.89E-02	GKS07 - 3A □□□ 112C22 MDSKA□□ 112-22 140
403	165	2.1	25.244	1053	9326	899	9327	1177	80	1.87E-02	GKS07 - 3A □□□ 112C22 MDSKA□□ 112-22 140
452	147	1.9	28.274	1179	9326	1007	9327	1202	71	1.86E-02	GKS07 - 3A □□□ 112C22 MDSKA□□ 112-22 140
511	131	1.6	31.858	1328	9326	1135	9327	1172	63	1.85E-02	GKS07 - 3A □□□ 112C22 MDSKA□□ 112-22 140
658	102	1.4	40.906	1706	9326	1457	9327	1290	41	1.87E-02	GKS07 - 3A □□□ 112C22 MDSKA□□ 112-22 140
810	83	1.3	50.345	1950	9326	1793	9327	1300	36	1.85E-02	GKS07 - 3A □□□ 112C22 MDSKA□□ 112-22 140
183	38	5.5	103.039	428	9322	510	9323	1290	38	3.24E-04	GKS07 - 4A □□□ 056C22 MDSKA□□ 056-22 140
202	35	4.6	112.391	467	9322	556	9323	1053	35	3.03E-04	GKS07 - 4A □□□ 056C22 MDSKA□□ 056-22 140
226	31	5.0	126.222	525	9322	625	9323	1300	31	3.13E-04	GKS07 - 4A □□□ 056C22 MDSKA□□ 056-22 140
250	29	3.7	137.748	572	9322	682	9323	1053	29	2.97E-04	GKS07 - 4A □□□ 056C22 MDSKA□□ 056-22 140
279	26	4.1	154.622	643	9322	765	9323	1300	26	2.93E-04	GKS07 - 4A □□□ 056C22 MDSKA□□ 056-22 140
328	22	2.9	179.201	745	9322	887	9323	1053	22	2.68E-04	GKS07 - 4A □□□ 056C22 MDSKA□□ 056-22 140
367	20	3.2	201.254	836	9322	996	9323	1310	20	2.85E-04	GKS07 - 4A □□□ 056C22 MDSKA□□ 056-22 140
410	18	2.3	222.909	926	9322	1103	9323	1053	18	2.60E-04	GKS07 - 4A □□□ 056C22 MDSKA□□ 056-22 140
453	16	2.6	246.659	1025	9322	1221	9323	1320	16	2.82E-04	GKS07 - 4A □□□ 056C22 MDSKA□□ 056-22 140
505	14	1.9	273.199	1135	9322	1352	9323	1053	14	2.58E-04	GKS07 - 4A □□□ 056C22 MDSKA□□ 056-22 140
593	12	2.0	321.049	1334	9322	1589	9323	1320	12	2.66E-04	GKS07 - 4A □□□ 056C22 MDSKA□□ 056-22 140
667	11	1.4	358.829	1491	9322	1580	9323	1053	11	2.57E-04	GKS07 - 4A □□□ 056C22 MDSKA□□ 056-22 140
741	9.9	1.6	399.353	1659	9322	1976	9323	1320	9.9	2.58E-04	GKS07 - 4A □□□ 056C22 MDSKA□□ 056-22 140
866	8.5	1.1	464.367	1580	9322	1580	9323	1053	8.5	2.51E-04	GKS07 - 4A □□□ 056C22 MDSKA□□ 056-22 140
963	7.6	1.2	516.810	1980	9322	1980	9323	1320	7.6	2.51E-04	GKS07 - 4A □□□ 056C22 MDSKA□□ 056-22 140
1189	6.2	1.0	636.581	1995	9322	1995	9323	1330	6.2	2.56E-04	GKS07 - 4A □□□ 056C22 MDSKA□□ 056-22 140
378	39	2.7	103.039	1212	9324	885	9324	1290	39	9.14E-04	GKS07 - 4A □□□ 071C22 MDSKA□□ 071-22 140
414	36	2.3	112.391	1322	9324	966	9324	1053	36	8.93E-04	GKS07 - 4A □□□ 071C22 MDSKA□□ 071-22 140

Observe the notes for thermal dimensioning.

Selection tables - Helical-bevel gearboxes

Naturally ventilated asynchronous geared servo motors



M ₂ [Nm]	n ₂ trans [rpm]	c	i	M ₂ max short-time on geared motor at				M ₂ Gr gearbox c=1 n ₁ ≤ 1400 rpm [Nm]	n ₂ therm [rpm]	J _{GM} referred to motor shaft [kgm ²]	Helical-bevel geared servo motor Dimensions on Page 6-88
				8 kHz		16 kHz					
				M ₂ max [Nm]	Type EVS	M ₂ max [Nm]	Type EVS				
464	32	2.5	126.222	1485	9324	1084	9324	1300	32	9.03E-04	GKS07 - 4A □□□ 071C22 MDSKA□□ 071-22 140
510	29	1.9	137.748	1580	9324	1183	9324	1053	29	8.87E-04	GKS07 - 4A □□□ 071C22 MDSKA□□ 071-22 140
571	26	2.0	154.622	1819	9324	1328	9324	1300	26	8.83E-04	GKS07 - 4A □□□ 071C22 MDSKA□□ 071-22 140
666	23	1.4	179.201	1580	9324	1539	9324	1053	23	8.58E-04	GKS07 - 4A □□□ 071C22 MDSKA□□ 071-22 140
747	20	1.6	201.254	1965	9324	1729	9324	1310	20	8.75E-04	GKS07 - 4A □□□ 071C22 MDSKA□□ 071-22 140
831	18	1.1	222.909	1580	9324	1580	9324	1053	18	8.50E-04	GKS07 - 4A □□□ 071C22 MDSKA□□ 071-22 140
918	16	1.3	246.659	1980	9324	1980	9324	1320	16	8.72E-04	GKS07 - 4A □□□ 071C22 MDSKA□□ 071-22 140
638	19	2.0	103.039	1453	9323	1935	9324	1290	19	2.00E-03	GKS07 - 4A □□□ 080C22 MDSKA□□ 080-22 70
699	18	1.5	112.391	1580	9323	1580	9324	1053	18	1.98E-03	GKS07 - 4A □□□ 080C22 MDSKA□□ 080-22 70
784	16	1.6	126.222	1780	9323	1950	9324	1300	16	1.99E-03	GKS07 - 4A □□□ 080C22 MDSKA□□ 080-22 70
860	15	1.2	137.748	1580	9323	1580	9324	1053	15	1.98E-03	GKS07 - 4A □□□ 080C22 MDSKA□□ 080-22 70
964	13	1.3	154.622	1950	9323	1950	9324	1300	13	1.97E-03	GKS07 - 4A □□□ 080C22 MDSKA□□ 080-22 70
1258	9.9	1.0	201.254	1965	9323	1965	9324	1310	9.9	1.97E-03	GKS07 - 4A □□□ 080C22 MDSKA□□ 080-22 70
514	40	2.0	103.039	1270	9324	1838	9325	1290	35	2.00E-03	GKS07 - 4A □□□ 080C22 MDSKA□□ 080-22 140
563	36	1.7	112.391	1385	9324	1580	9325	1053	32	1.98E-03	GKS07 - 4A □□□ 080C22 MDSKA□□ 080-22 140
631	32	1.8	126.222	1556	9324	1950	9325	1300	28	1.99E-03	GKS07 - 4A □□□ 080C22 MDSKA□□ 080-22 140
692	30	1.4	137.748	1580	9324	1580	9325	1053	26	1.98E-03	GKS07 - 4A □□□ 080C22 MDSKA□□ 080-22 140
775	27	1.5	154.622	1906	9324	1950	9325	1300	23	1.97E-03	GKS07 - 4A □□□ 080C22 MDSKA□□ 080-22 140
1013	20	1.2	201.254	1965	9324	1965	9325	1310	18	1.97E-03	GKS07 - 4A □□□ 080C22 MDSKA□□ 080-22 140
559	22	5.2	91.860	1318	9323	1850	9324	3031	22	2.18E-03	GKS09 - 3A □□□ 080C22 MDSKA□□ 080-22 70
633	19	4.7	103.524	1485	9323	2085	9324	3080	19	2.18E-03	GKS09 - 3A □□□ 080C22 MDSKA□□ 080-22 70
685	18	4.3	111.484	1599	9323	2245	9324	3031	18	2.11E-03	GKS09 - 3A □□□ 080C22 MDSKA□□ 080-22 70
776	16	3.9	125.641	1802	9323	2530	9324	3080	16	2.11E-03	GKS09 - 3A □□□ 080C22 MDSKA□□ 080-22 70
875	14	3.3	140.921	2021	9323	2838	9324	2973	14	2.05E-03	GKS09 - 3A □□□ 080C22 MDSKA□□ 080-22 70
989	13	3.0	158.816	2278	9323	3198	9324	3080	13	2.05E-03	GKS09 - 3A □□□ 080C22 MDSKA□□ 080-22 70
1139	11	2.6	182.000	2610	9323	3665	9324	3031	11	2.15E-03	GKS09 - 3A □□□ 080C22 MDSKA□□ 080-22 70
1287	9.8	2.4	205.111	2942	9323	4130	9324	3080	9.8	2.14E-03	GKS09 - 3A □□□ 080C22 MDSKA□□ 080-22 70
1389	9.1	2.2	220.882	3168	9323	4448	9324	3031	9.1	2.09E-03	GKS09 - 3A □□□ 080C22 MDSKA□□ 080-22 70
1568	8.0	1.9	248.930	3570	9323	4620	9324	3080	8.0	2.09E-03	GKS09 - 3A □□□ 080C22 MDSKA□□ 080-22 70
1764	7.2	1.7	279.205	4005	9323	4547	9324	3031	7.2	2.03E-03	GKS09 - 3A □□□ 080C22 MDSKA□□ 080-22 70
1991	6.4	1.5	314.659	4513	9323	4620	9324	3080	6.4	2.03E-03	GKS09 - 3A □□□ 080C22 MDSKA□□ 080-22 70
450	45	5.2	91.860	1152	9324	1667	9325	3031	39	2.18E-03	GKS09 - 3A □□□ 080C22 MDSKA□□ 080-22 140
510	40	4.7	103.524	1298	9324	1878	9325	3080	35	2.18E-03	GKS09 - 3A □□□ 080C22 MDSKA□□ 080-22 140
549	37	4.8	111.484	1398	9324	2023	9325	3031	32	2.11E-03	GKS09 - 3A □□□ 080C22 MDSKA□□ 080-22 140

Observe the notes for thermal dimensioning.

Selection tables - Helical-bevel gearboxes

Naturally ventilated asynchronous geared servo motors

M ₂ [Nm]	n ₂ trans [rpm]	c	i	M ₂ max short-time on geared motor at				M ₂ Gr gearbox c=1 n ₁ ≤ 1400 rpm [Nm]	n ₂ therm [rpm]	J _{GM} referred to motor shaft [kgm ²]	Helical-bevel geared servo motor Dimensions on Page 6-88
				8 kHz		16 kHz					
				M ₂ max [Nm]	Type EVS	M ₂ max [Nm]	Type EVS				
622	33	4.3	125.641	1575	9324	2279	9325	3080	29	2.11E-03	GKS09 - 3A □□□ 080C22 MDSKA□□ 080-22 140
702	29	3.7	140.921	1767	9324	2557	9325	2973	25	2.05E-03	GKS09 - 3A □□□ 080C22 MDSKA□□ 080-22 140
794	26	3.4	158.816	1991	9324	2881	9325	3080	23	2.05E-03	GKS09 - 3A □□□ 080C22 MDSKA□□ 080-22 140
915	23	2.9	182.000	2282	9324	3302	9325	3031	20	2.15E-03	GKS09 - 3A □□□ 080C22 MDSKA□□ 080-22 140
1034	20	2.6	205.111	2572	9324	3721	9325	3080	18	2.14E-03	GKS09 - 3A □□□ 080C22 MDSKA□□ 080-22 140
1116	19	2.4	220.882	2770	9324	4007	9325	3031	16	2.09E-03	GKS09 - 3A □□□ 080C22 MDSKA□□ 080-22 140
1261	16	2.2	248.930	3121	9324	4516	9325	3080	14	2.09E-03	GKS09 - 3A □□□ 080C22 MDSKA□□ 080-22 140
1418	15	1.9	279.205	3501	9324	4547	9325	3031	13	2.03E-03	GKS09 - 3A □□□ 080C22 MDSKA□□ 080-22 140
1602	13	1.7	314.659	3945	9324	4620	9325	3080	11	2.03E-03	GKS09 - 3A □□□ 080C22 MDSKA□□ 080-22 140
473	47	6.0	48.625	1127	9324	1594	9325	3017	47	4.49E-03	GKS09 - 3A □□□ 090C22 MDSKA□□ 090-22 80
575	39	5.0	58.456	1355	9324	1916	9325	3031	39	4.15E-03	GKS09 - 3A □□□ 090C22 MDSKA□□ 090-22 80
651	35	4.4	65.879	1527	9324	2159	9325	3048	35	4.15E-03	GKS09 - 3A □□□ 090C22 MDSKA□□ 090-22 80
704	32	4.1	70.982	1645	9324	2326	9325	3031	32	4.01E-03	GKS09 - 3A □□□ 090C22 MDSKA□□ 090-22 80
797	29	3.7	79.996	1854	9324	2622	9325	3071	29	4.01E-03	GKS09 - 3A □□□ 090C22 MDSKA□□ 090-22 80
921	25	3.2	91.860	2129	9324	3010	9325	3031	25	3.86E-03	GKS09 - 3A □□□ 090C22 MDSKA□□ 090-22 80
1041	22	2.9	103.524	2399	9324	3393	9325	3080	22	3.86E-03	GKS09 - 3A □□□ 090C22 MDSKA□□ 090-22 80
1124	21	2.7	111.484	2584	9324	3653	9325	3031	21	3.79E-03	GKS09 - 3A □□□ 090C22 MDSKA□□ 090-22 80
1270	18	2.4	125.641	2912	9324	4117	9325	3080	18	3.79E-03	GKS09 - 3A □□□ 090C22 MDSKA□□ 090-22 80
1855	13	1.6	182.000	4218	9324	4547	9325	3031	13	3.83E-03	GKS09 - 3A □□□ 090C22 MDSKA□□ 090-22 80
2094	11	1.5	205.111	4620	9324	4620	9325	3080	11	3.82E-03	GKS09 - 3A □□□ 090C22 MDSKA□□ 090-22 80
2258	10	1.3	220.882	4547	9324	4547	9325	3031	10	3.77E-03	GKS09 - 3A □□□ 090C22 MDSKA□□ 090-22 80
2548	9.2	1.2	248.930	4620	9324	4620	9325	3080	9.2	3.77E-03	GKS09 - 3A □□□ 090C22 MDSKA□□ 090-22 80
339	104	6.0	39.662	882	9325	1055	9326	3002	74	4.80E-03	GKS09 - 3A □□□ 090C22 MDSKA□□ 090-22 140
418	85	5.6	48.625	1081	9325	1293	9326	3017	64	4.49E-03	GKS09 - 3A □□□ 090C22 MDSKA□□ 090-22 140
507	70	4.7	58.456	1299	9325	1555	9326	3031	53	4.15E-03	GKS09 - 3A □□□ 090C22 MDSKA□□ 090-22 140
575	62	4.2	65.879	1464	9325	1752	9326	3048	47	4.15E-03	GKS09 - 3A □□□ 090C22 MDSKA□□ 090-22 140
621	58	3.8	70.982	1578	9325	1888	9326	3031	44	4.01E-03	GKS09 - 3A □□□ 090C22 MDSKA□□ 090-22 140
703	51	3.5	79.996	1778	9325	2128	9326	3071	39	4.01E-03	GKS09 - 3A □□□ 090C22 MDSKA□□ 090-22 140
812	45	3.0	91.860	2042	9325	2443	9326	3031	34	3.86E-03	GKS09 - 3A □□□ 090C22 MDSKA□□ 090-22 140
918	40	2.7	103.524	2301	9325	2753	9326	3080	30	3.86E-03	GKS09 - 3A □□□ 090C22 MDSKA□□ 090-22 140
988	37	2.7	111.484	2478	9325	2965	9326	3031	28	3.79E-03	GKS09 - 3A □□□ 090C22 MDSKA□□ 090-22 140
1116	33	2.4	125.641	2793	9325	3342	9326	3080	25	3.79E-03	GKS09 - 3A □□□ 090C22 MDSKA□□ 090-22 140
1631	23	1.7	182.000	4045	9325	4547	9326	3031	17	3.83E-03	GKS09 - 3A □□□ 090C22 MDSKA□□ 090-22 140
1841	20	1.5	205.111	4559	9325	4620	9326	3080	15	3.82E-03	GKS09 - 3A □□□ 090C22 MDSKA□□ 090-22 140

Observe the notes for thermal dimensioning.

Selection tables - Helical-bevel gearboxes

Naturally ventilated asynchronous geared servo motors



M ₂ [Nm]	n _{2 trans} [rpm]	c	i	M _{2 max} short-time on geared motor at				M _{2 Gr} gearbox c=1 n ₁ ≤ 1400 rpm [Nm]	n _{2 therm} [rpm]	J _{GM} referred to motor shaft [kgm ²]	Helical-bevel geared servo motor Dimensions on Page 6-88
				8 kHz		16 kHz					
				M _{2 max} [Nm]	Type EVS	M _{2 max} [Nm]	Type EVS				
1985	19	1.4	220.882	4547	9325	4547	9326	3031	14	3.77E-03	GKS09 - 3A □□□ 090C22 MDSKA□□ 090-22 140
2241	17	1.2	248.930	4620	9325	4620	9326	3080	13	3.77E-03	GKS09 - 3A □□□ 090C22 MDSKA□□ 090-22 140
431	80	5.6	29.228	1310	9325	938	9325	2914	80	8.79E-03	GKS09 - 3A □□□ 100C22 MDSKA□□ 100-22 80
488	71	5.0	32.940	1477	9325	1058	9325	2984	71	8.76E-03	GKS09 - 3A □□□ 100C22 MDSKA□□ 100-22 80
523	66	4.8	35.193	1578	9325	1130	9325	3029	66	8.42E-03	GKS09 - 3A □□□ 100C22 MDSKA□□ 100-22 80
593	59	4.2	39.662	1778	9325	1273	9325	3002	59	8.40E-03	GKS09 - 3A □□□ 100C22 MDSKA□□ 100-22 80
644	54	4.4	43.146	1934	9325	1385	9325	3024	54	8.10E-03	GKS09 - 3A □□□ 100C22 MDSKA□□ 100-22 80
730	48	3.9	48.625	2180	9325	1561	9325	3017	48	8.09E-03	GKS09 - 3A □□□ 100C22 MDSKA□□ 100-22 80
883	40	3.3	58.456	2621	9325	1877	9325	3031	40	7.75E-03	GKS09 - 3A □□□ 100C22 MDSKA□□ 100-22 80
999	36	2.9	65.879	2954	9325	2115	9325	3048	36	7.75E-03	GKS09 - 3A □□□ 100C22 MDSKA□□ 100-22 80
1079	33	2.7	70.982	3182	9325	2279	9325	3031	33	7.61E-03	GKS09 - 3A □□□ 100C22 MDSKA□□ 100-22 80
1220	29	2.4	79.996	3587	9325	2568	9325	3071	29	7.61E-03	GKS09 - 3A □□□ 100C22 MDSKA□□ 100-22 80
357	126	5.7	32.940	1355	9326	807	9326	2984	74	8.76E-03	GKS09 - 3A □□□ 100C22 MDSKA□□ 100-22 140
383	118	5.4	35.193	1448	9326	863	9326	3029	70	8.42E-03	GKS09 - 3A □□□ 100C22 MDSKA□□ 100-22 140
434	105	4.7	39.662	1631	9326	972	9326	3002	62	8.40E-03	GKS09 - 3A □□□ 100C22 MDSKA□□ 100-22 140
471	96	5.0	43.146	1775	9326	1057	9326	3024	57	8.10E-03	GKS09 - 3A □□□ 100C22 MDSKA□□ 100-22 140
534	85	4.4	48.625	2000	9326	1192	9326	3017	50	8.09E-03	GKS09 - 3A □□□ 100C22 MDSKA□□ 100-22 140
647	71	3.7	58.456	2404	9326	1433	9326	3031	42	7.75E-03	GKS09 - 3A □□□ 100C22 MDSKA□□ 100-22 140
733	63	3.3	65.879	2710	9326	1615	9326	3048	37	7.75E-03	GKS09 - 3A □□□ 100C22 MDSKA□□ 100-22 140
792	58	3.0	70.982	2919	9326	1740	9326	3031	35	7.61E-03	GKS09 - 3A □□□ 100C22 MDSKA□□ 100-22 140
895	52	2.7	79.996	3290	9326	1960	9326	3071	31	7.61E-03	GKS09 - 3A □□□ 100C22 MDSKA□□ 100-22 140
276	203	4.8	12.283	910	9326	651	9326	1615	163	2.14E-02	GKS09 - 3A □□□ 112C22 MDSKA□□ 112-22 85
300	186	4.8	13.360	990	9326	708	9326	1757	150	2.13E-02	GKS09 - 3A □□□ 112C22 MDSKA□□ 112-22 85
365	154	4.0	16.122	1195	9326	855	9326	1801	125	2.03E-02	GKS09 - 3A □□□ 112C22 MDSKA□□ 112-22 85
397	142	4.0	17.536	1299	9326	929	9326	1958	115	2.02E-02	GKS09 - 3A □□□ 112C22 MDSKA□□ 112-22 85
439	127	4.8	19.541	1448	9326	1036	9326	2570	102	2.11E-02	GKS09 - 3A □□□ 112C22 MDSKA□□ 112-22 85
496	113	4.4	22.022	1632	9326	1167	9326	2672	89	2.10E-02	GKS09 - 3A □□□ 112C22 MDSKA□□ 112-22 85
580	97	4.0	25.649	1900	9326	1360	9326	2862	79	2.01E-02	GKS09 - 3A □□□ 112C22 MDSKA□□ 112-22 85
664	85	3.6	29.228	2166	9326	1549	9326	2914	69	1.96E-02	GKS09 - 3A □□□ 112C22 MDSKA□□ 112-22 85
751	76	3.3	32.940	2441	9326	1746	9326	2984	61	1.96E-02	GKS09 - 3A □□□ 112C22 MDSKA□□ 112-22 85
804	71	3.1	35.193	2607	9326	1865	9326	3029	57	1.92E-02	GKS09 - 3A □□□ 112C22 MDSKA□□ 112-22 85
910	63	2.7	39.662	2939	9326	2102	9326	3002	51	1.92E-02	GKS09 - 3A □□□ 112C22 MDSKA□□ 112-22 85
988	58	2.9	43.146	3197	9326	2287	9326	3024	47	1.89E-02	GKS09 - 3A □□□ 112C22 MDSKA□□ 112-22 85
1118	51	2.5	48.625	3603	9326	2577	9326	3017	41	1.89E-02	GKS09 - 3A □□□ 112C22 MDSKA□□ 112-22 85

Observe the notes for thermal dimensioning.

Selection tables - Helical-bevel gearboxes

Naturally ventilated asynchronous geared servo motors

M ₂ [Nm]	n ₂ trans [rpm]	c	i	M ₂ max short-time on geared motor at				M ₂ Gr gearbox c=1 n ₁ ≤ 1400 rpm [Nm]	n ₂ therm [rpm]	J _{GM} referred to motor shaft [kgm ²]	Helical-bevel geared servo motor Dimensions on Page 6-88
				8 kHz		16 kHz					
				M ₂ max [Nm]	Type EVS	M ₂ max [Nm]	Type EVS				
188	339	5.8	12.283	512	9326	438	9327	1615	164	2.14E-02	GKS09 - 3A □□□ 112C22 MDSKA□□ 112-22 140
205	311	5.8	13.360	557	9326	476	9327	1757	151	2.13E-02	GKS09 - 3A □□□ 112C22 MDSKA□□ 112-22 140
250	258	4.9	16.122	672	9326	574	9327	1801	125	2.03E-02	GKS09 - 3A □□□ 112C22 MDSKA□□ 112-22 140
271	237	4.9	17.536	731	9326	625	9327	1958	115	2.02E-02	GKS09 - 3A □□□ 112C22 MDSKA□□ 112-22 140
300	213	5.8	19.541	815	9326	696	9327	2570	103	2.11E-02	GKS09 - 3A □□□ 112C22 MDSKA□□ 112-22 140
339	189	5.3	22.022	918	9326	784	9327	2672	91	2.10E-02	GKS09 - 3A □□□ 112C22 MDSKA□□ 112-22 140
397	162	4.9	25.649	1070	9326	914	9327	2862	79	2.01E-02	GKS09 - 3A □□□ 112C22 MDSKA□□ 112-22 140
455	142	4.4	29.228	1219	9326	1041	9327	2914	69	1.96E-02	GKS09 - 3A □□□ 112C22 MDSKA□□ 112-22 140
515	126	4.0	32.940	1374	9326	1173	9327	2984	61	1.96E-02	GKS09 - 3A □□□ 112C22 MDSKA□□ 112-22 140
552	118	3.8	35.193	1468	9326	1254	9327	3029	57	1.92E-02	GKS09 - 3A □□□ 112C22 MDSKA□□ 112-22 140
625	105	3.3	39.662	1654	9326	1413	9327	3002	51	1.92E-02	GKS09 - 3A □□□ 112C22 MDSKA□□ 112-22 140
678	96	3.5	43.146	1799	9326	1537	9327	3024	47	1.89E-02	GKS09 - 3A □□□ 112C22 MDSKA□□ 112-22 140
768	86	3.1	48.625	2028	9326	1732	9327	3017	41	1.89E-02	GKS09 - 3A □□□ 112C22 MDSKA□□ 112-22 140
581	12	4.6	323.365	1344	9322	1600	9323	3031	12	3.11E-04	GKS09 - 4A □□□ 056C22 MDSKA□□ 056-22 140
658	11	4.1	364.427	1514	9322	1803	9323	3071	11	3.11E-04	GKS09 - 4A □□□ 056C22 MDSKA□□ 056-22 140
730	9.8	3.7	402.234	1671	9322	1991	9323	3031	9.8	2.91E-04	GKS09 - 4A □□□ 056C22 MDSKA□□ 056-22 140
826	8.7	3.3	453.311	1884	9322	2243	9323	3071	8.7	2.91E-04	GKS09 - 4A □□□ 056C22 MDSKA□□ 056-22 140
953	7.6	2.8	520.538	2163	9322	2576	9323	3031	7.6	2.87E-04	GKS09 - 4A □□□ 056C22 MDSKA□□ 056-22 140
1077	6.7	2.6	586.638	2438	9322	2903	9323	3080	6.7	2.86E-04	GKS09 - 4A □□□ 056C22 MDSKA□□ 056-22 140
1163	6.3	2.3	631.744	2625	9322	3126	9323	3031	6.3	2.84E-04	GKS09 - 4A □□□ 056C22 MDSKA□□ 056-22 140
1314	5.6	2.1	711.965	2958	9322	3523	9323	3080	5.6	2.84E-04	GKS09 - 4A □□□ 056C22 MDSKA□□ 056-22 140
1513	4.8	1.8	817.551	3397	9322	4046	9323	3031	4.8	2.68E-04	GKS09 - 4A □□□ 056C22 MDSKA□□ 056-22 140
1709	4.3	1.6	921.367	3828	9322	4560	9323	3080	4.3	2.68E-04	GKS09 - 4A □□□ 056C22 MDSKA□□ 056-22 140
1843	4.0	1.5	992.209	4123	9322	4547	9323	3031	4.0	2.60E-04	GKS09 - 4A □□□ 056C22 MDSKA□□ 056-22 140
2080	3.5	1.3	1118.204	4620	9322	4620	9323	3080	3.5	2.60E-04	GKS09 - 4A □□□ 056C22 MDSKA□□ 056-22 140
2338	3.2	1.2	1254.197	4547	9322	4547	9323	3031	3.2	2.53E-04	GKS09 - 4A □□□ 056C22 MDSKA□□ 056-22 140
2638	2.8	1.1	1413.461	4620	9322	4620	9323	3080	2.8	2.53E-04	GKS09 - 4A □□□ 056C22 MDSKA□□ 056-22 140
436	33	5.9	123.275	1450	9324	1059	9324	3024	33	1.04E-03	GKS09 - 4A □□□ 071C22 MDSKA□□ 071-22 140
495	29	5.3	138.929	1635	9324	1193	9324	3017	29	1.04E-03	GKS09 - 4A □□□ 071C22 MDSKA□□ 071-22 140
541	27	4.9	151.012	1777	9324	1297	9324	3024	27	9.82E-04	GKS09 - 4A □□□ 071C22 MDSKA□□ 071-22 140
613	24	4.3	170.188	2002	9324	1462	9324	3017	24	9.81E-04	GKS09 - 4A □□□ 071C22 MDSKA□□ 071-22 140
743	20	3.6	204.596	2407	9324	1758	9324	3031	20	9.54E-04	GKS09 - 4A □□□ 071C22 MDSKA□□ 071-22 140
841	18	3.2	230.577	2713	9324	1981	9324	3048	18	9.54E-04	GKS09 - 4A □□□ 071C22 MDSKA□□ 071-22 140
908	16	3.0	248.439	2923	9324	2134	9324	3031	16	9.43E-04	GKS09 - 4A □□□ 071C22 MDSKA□□ 071-22 140

Observe the notes for thermal dimensioning.

Selection tables - Helical-bevel gearboxes

Naturally ventilated asynchronous geared servo motors



M ₂ [Nm]	n ₂ trans [rpm]	c	i	M ₂ max short-time on geared motor at				M ₂ Gr gearbox c=1 n ₁ ≤ 1400 rpm [Nm]	n ₂ therm [rpm]	J _{GM} referred to motor shaft [kgm ²]	Helical-bevel geared servo motor Dimensions on Page 6-88
				8 kHz		16 kHz					
				M ₂ max [Nm]	Type EVS	M ₂ max [Nm]	Type EVS				
1027	14	2.7	279.986	3294	9324	2405	9324	3071	14	9.42E-04	GKS09 - 4A □□□ 071C22 MDSKA□□ 071-22 140
1191	13	2.3	323.365	3804	9324	2778	9324	3031	13	9.01E-04	GKS09 - 4A □□□ 071C22 MDSKA□□ 071-22 140
1346	11	2.0	364.427	4287	9324	3131	9324	3071	11	9.01E-04	GKS09 - 4A □□□ 071C22 MDSKA□□ 071-22 140
1489	10	1.8	402.234	4547	9324	3455	9324	3031	10	8.81E-04	GKS09 - 4A □□□ 071C22 MDSKA□□ 071-22 140
1681	8.9	1.6	453.311	4607	9324	3894	9324	3071	8.9	8.81E-04	GKS09 - 4A □□□ 071C22 MDSKA□□ 071-22 140
1936	7.8	1.4	520.538	4547	9324	4472	9324	3031	7.8	8.77E-04	GKS09 - 4A □□□ 071C22 MDSKA□□ 071-22 140
2185	6.9	1.3	586.638	4620	9324	4620	9324	3080	6.9	8.76E-04	GKS09 - 4A □□□ 071C22 MDSKA□□ 071-22 140
2355	6.4	1.2	631.744	4547	9324	4547	9324	3031	6.4	8.74E-04	GKS09 - 4A □□□ 071C22 MDSKA□□ 071-22 140
2658	5.7	1.0	711.965	4620	9324	4620	9324	3080	5.7	8.74E-04	GKS09 - 4A □□□ 071C22 MDSKA□□ 071-22 140
603	20	4.8	100.551	1418	9323	1990	9324	3029	20	2.17E-03	GKS09 - 4A □□□ 080C22 MDSKA□□ 080-22 70
684	18	4.2	113.320	1598	9323	2243	9324	3002	18	2.17E-03	GKS09 - 4A □□□ 080C22 MDSKA□□ 080-22 70
747	16	3.9	123.275	1738	9323	2440	9324	3024	16	2.13E-03	GKS09 - 4A □□□ 080C22 MDSKA□□ 080-22 70
846	14	3.5	138.929	1959	9323	2750	9324	3017	14	2.13E-03	GKS09 - 4A □□□ 080C22 MDSKA□□ 080-22 70
922	13	3.2	151.012	2129	9323	2989	9324	3024	13	2.07E-03	GKS09 - 4A □□□ 080C22 MDSKA□□ 080-22 70
1044	12	2.8	170.188	2400	9323	3369	9324	3017	12	2.07E-03	GKS09 - 4A □□□ 080C22 MDSKA□□ 080-22 70
1261	9.8	2.4	204.596	2885	9323	4050	9324	3031	9.8	2.04E-03	GKS09 - 4A □□□ 080C22 MDSKA□□ 080-22 70
1425	8.7	2.1	230.577	3251	9323	4564	9324	3048	8.7	2.04E-03	GKS09 - 4A □□□ 080C22 MDSKA□□ 080-22 70
1538	8.1	2.0	248.439	3503	9323	4547	9324	3031	8.1	2.03E-03	GKS09 - 4A □□□ 080C22 MDSKA□□ 080-22 70
1737	7.1	1.8	279.986	3948	9323	4607	9324	3071	7.1	2.03E-03	GKS09 - 4A □□□ 080C22 MDSKA□□ 080-22 70
2012	6.2	1.5	323.365	4547	9323	4547	9324	3031	6.2	1.99E-03	GKS09 - 4A □□□ 080C22 MDSKA□□ 080-22 70
2271	5.5	1.3	364.427	4607	9323	4607	9324	3071	5.5	1.99E-03	GKS09 - 4A □□□ 080C22 MDSKA□□ 080-22 70
2511	5.0	1.2	402.234	4547	9323	4547	9324	3031	5.0	1.97E-03	GKS09 - 4A □□□ 080C22 MDSKA□□ 080-22 70
2833	4.4	1.1	453.311	4607	9323	4607	9324	3071	4.4	1.97E-03	GKS09 - 4A □□□ 080C22 MDSKA□□ 080-22 70
486	41	4.9	100.551	1239	9324	1793	9325	3029	36	2.17E-03	GKS09 - 4A □□□ 080C22 MDSKA□□ 080-22 140
549	36	4.7	113.320	1397	9324	2021	9325	3002	32	2.17E-03	GKS09 - 4A □□□ 080C22 MDSKA□□ 080-22 140
599	33	4.4	123.275	1519	9324	2199	9325	3024	29	2.13E-03	GKS09 - 4A □□□ 080C22 MDSKA□□ 080-22 140
679	30	3.9	138.929	1712	9324	2478	9325	3017	26	2.13E-03	GKS09 - 4A □□□ 080C22 MDSKA□□ 080-22 140
740	27	3.6	151.012	1861	9324	2693	9325	3024	24	2.07E-03	GKS09 - 4A □□□ 080C22 MDSKA□□ 080-22 140
838	24	3.2	170.188	2098	9324	3035	9325	3017	21	2.07E-03	GKS09 - 4A □□□ 080C22 MDSKA□□ 080-22 140
1013	20	2.6	204.596	2522	9324	3649	9325	3031	18	2.04E-03	GKS09 - 4A □□□ 080C22 MDSKA□□ 080-22 140
1146	18	2.4	230.577	2842	9324	4112	9325	3048	16	2.04E-03	GKS09 - 4A □□□ 080C22 MDSKA□□ 080-22 140
1237	17	2.2	248.439	3062	9324	4431	9325	3031	14	2.03E-03	GKS09 - 4A □□□ 080C22 MDSKA□□ 080-22 140
1397	15	2.0	279.986	3451	9324	4607	9325	3071	13	2.03E-03	GKS09 - 4A □□□ 080C22 MDSKA□□ 080-22 140
1619	13	1.7	323.365	3986	9324	4547	9325	3031	11	1.99E-03	GKS09 - 4A □□□ 080C22 MDSKA□□ 080-22 140

Observe the notes for thermal dimensioning.

Selection tables - Helical-bevel gearboxes

Naturally ventilated asynchronous geared servo motors

M ₂ [Nm]	n ₂ trans [rpm]	c	i	M ₂ max short-time on geared motor at				M ₂ Gr gearbox c=1 n ₁ ≤ 1400 rpm [Nm]	n ₂ therm [rpm]	J _{GM} referred to motor shaft [kgm ²]	Helical-bevel geared servo motor Dimensions on Page 6-88
				8 kHz		16 kHz					
				M ₂ max [Nm]	Type EVS	M ₂ max [Nm]	Type EVS				
1828	11	1.5	364.427	4492	9324	4607	9325	3071	9.9	1.99E-03	GKS09 - 4A □□□ 080C22 MDSKA□□ 080-22 140
2021	10	1.3	402.234	4547	9324	4547	9325	3031	8.9	1.97E-03	GKS09 - 4A □□□ 080C22 MDSKA□□ 080-22 140
2280	9.0	1.2	453.311	4607	9324	4607	9325	3071	7.9	1.97E-03	GKS09 - 4A □□□ 080C22 MDSKA□□ 080-22 140
2623	7.9	1.0	520.538	4547	9324	4547	9325	3031	6.9	1.97E-03	GKS09 - 4A □□□ 080C22 MDSKA□□ 080-22 140
993	23	2.9	100.551	2291	9324	3239	9325	3029	23	3.85E-03	GKS09 - 4A □□□ 090C22 MDSKA□□ 090-22 80
1123	20	2.6	113.320	2582	9324	3650	9325	3002	20	3.85E-03	GKS09 - 4A □□□ 090C22 MDSKA□□ 090-22 80
1224	19	2.4	123.275	2809	9324	3971	9325	3024	19	3.81E-03	GKS09 - 4A □□□ 090C22 MDSKA□□ 090-22 80
1384	17	2.2	138.929	3165	9324	4475	9325	3017	17	3.81E-03	GKS09 - 4A □□□ 090C22 MDSKA□□ 090-22 80
1507	15	2.0	151.012	3440	9324	4536	9325	3024	15	3.75E-03	GKS09 - 4A □□□ 090C22 MDSKA□□ 090-22 80
1702	14	1.8	170.188	3877	9324	4526	9325	3017	14	3.75E-03	GKS09 - 4A □□□ 090C22 MDSKA□□ 090-22 80
2053	11	1.5	204.596	4547	9324	4547	9325	3031	11	3.72E-03	GKS09 - 4A □□□ 090C22 MDSKA□□ 090-22 80
2317	10.0	1.3	230.577	4572	9324	4572	9325	3048	10.0	3.72E-03	GKS09 - 4A □□□ 090C22 MDSKA□□ 090-22 80
2500	9.3	1.2	248.439	4547	9324	4547	9325	3031	9.3	3.71E-03	GKS09 - 4A □□□ 090C22 MDSKA□□ 090-22 80
2821	8.2	1.1	279.986	4607	9324	4607	9325	3071	8.2	3.71E-03	GKS09 - 4A □□□ 090C22 MDSKA□□ 090-22 80
875	41	2.8	100.551	2197	9325	2629	9326	3029	31	3.85E-03	GKS09 - 4A □□□ 090C22 MDSKA□□ 090-22 140
987	36	2.7	113.320	2476	9325	2963	9326	3002	27	3.85E-03	GKS09 - 4A □□□ 090C22 MDSKA□□ 090-22 140
1076	33	2.5	123.275	2693	9325	3223	9326	3024	25	3.81E-03	GKS09 - 4A □□□ 090C22 MDSKA□□ 090-22 140
1216	30	2.2	138.929	3035	9325	3632	9326	3017	22	3.81E-03	GKS09 - 4A □□□ 090C22 MDSKA□□ 090-22 140
1325	27	2.0	151.012	3299	9325	3948	9326	3024	21	3.75E-03	GKS09 - 4A □□□ 090C22 MDSKA□□ 090-22 140
1497	24	1.8	170.188	3718	9325	4449	9326	3017	18	3.75E-03	GKS09 - 4A □□□ 090C22 MDSKA□□ 090-22 140
1805	20	1.5	204.596	4470	9325	4547	9326	3031	15	3.72E-03	GKS09 - 4A □□□ 090C22 MDSKA□□ 090-22 140
2038	18	1.3	230.577	4572	9325	4572	9326	3048	13	3.72E-03	GKS09 - 4A □□□ 090C22 MDSKA□□ 090-22 140
2198	17	1.2	248.439	4547	9325	4547	9326	3031	13	3.71E-03	GKS09 - 4A □□□ 090C22 MDSKA□□ 090-22 140
2481	15	1.1	279.986	4607	9325	4607	9326	3071	11	3.71E-03	GKS09 - 4A □□□ 090C22 MDSKA□□ 090-22 140
673	18	5.7	111.335	1597	9323	2242	9324	4042	18	2.53E-03	GKS11 - 3A □□□ 080C22 MDSKA□□ 080-22 70
759	16	5.7	125.448	1799	9323	2526	9324	4555	16	2.52E-03	GKS11 - 3A □□□ 080C22 MDSKA□□ 080-22 70
862	14	4.6	140.732	2019	9323	2834	9324	4107	14	2.32E-03	GKS11 - 3A □□□ 080C22 MDSKA□□ 080-22 70
971	13	4.6	158.571	2274	9323	3193	9324	4628	13	2.31E-03	GKS11 - 3A □□□ 080C22 MDSKA□□ 080-22 70
1137	11	5.0	186.572	2676	9323	3757	9324	5975	11	2.63E-03	GKS11 - 3A □□□ 080C22 MDSKA□□ 080-22 70
1290	9.5	4.4	210.222	3015	9323	4233	9324	5892	9.5	2.63E-03	GKS11 - 3A □□□ 080C22 MDSKA□□ 080-22 70
1393	8.8	4.1	226.431	3248	9323	4560	9324	5975	8.8	2.44E-03	GKS11 - 3A □□□ 080C22 MDSKA□□ 080-22 70
1579	7.8	3.6	255.133	3659	9323	5138	9324	5892	7.8	2.44E-03	GKS11 - 3A □□□ 080C22 MDSKA□□ 080-22 70
1778	7.0	3.3	286.219	4105	9323	5764	9324	5975	7.0	2.26E-03	GKS11 - 3A □□□ 080C22 MDSKA□□ 080-22 70
2012	6.2	2.9	322.500	4626	9323	6494	9324	5892	6.2	2.26E-03	GKS11 - 3A □□□ 080C22 MDSKA□□ 080-22 70

Observe the notes for thermal dimensioning.

Selection tables - Helical-bevel gearboxes

Naturally ventilated asynchronous geared servo motors



M ₂ [Nm]	n _{2 trans} [rpm]	c	i	M _{2 max} short-time on geared motor at				M _{2 Gr} gearbox c=1 n ₁ ≤ 1400 rpm [Nm]	n _{2 therm} [rpm]	J _{GM} referred to motor shaft [kgm ²]	Helical-bevel geared servo motor Dimensions on Page 6-88
				8 kHz		16 kHz					
				M _{2 max} [Nm]	Type EVS	M _{2 max} [Nm]	Type EVS				
690	29	5.1	140.732	1765	9324	2553	9325	4107	26	2.32E-03	GKS11 - 3A □□□ 080C22 MDSKA□□ 080-22 140
778	26	5.1	158.571	1988	9324	2877	9325	4628	23	2.31E-03	GKS11 - 3A □□□ 080C22 MDSKA□□ 080-22 140
910	22	5.6	186.572	2339	9324	3385	9325	5975	19	2.63E-03	GKS11 - 3A □□□ 080C22 MDSKA□□ 080-22 140
1034	20	4.9	210.222	2636	9324	3814	9325	5892	17	2.63E-03	GKS11 - 3A □□□ 080C22 MDSKA□□ 080-22 140
1117	18	4.6	226.431	2839	9324	4108	9325	5975	16	2.44E-03	GKS11 - 3A □□□ 080C22 MDSKA□□ 080-22 140
1267	16	4.1	255.133	3199	9324	4629	9325	5892	14	2.44E-03	GKS11 - 3A □□□ 080C22 MDSKA□□ 080-22 140
1427	14	3.7	286.219	3589	9324	5193	9325	5975	13	2.26E-03	GKS11 - 3A □□□ 080C22 MDSKA□□ 080-22 140
1616	13	3.2	322.500	4044	9324	5851	9325	5892	11	2.26E-03	GKS11 - 3A □□□ 080C22 MDSKA□□ 080-22 140
903	25	4.9	91.737	2126	9324	3006	9325	4660	25	4.43E-03	GKS11 - 3A □□□ 090C22 MDSKA□□ 090-22 80
1017	22	4.9	103.365	2396	9324	3387	9325	5250	22	4.42E-03	GKS11 - 3A □□□ 090C22 MDSKA□□ 090-22 80
1104	21	4.1	111.335	2580	9324	3649	9325	4734	21	4.21E-03	GKS11 - 3A □□□ 090C22 MDSKA□□ 090-22 80
1244	18	4.1	125.448	2908	9324	4111	9325	5335	18	4.20E-03	GKS11 - 3A □□□ 090C22 MDSKA□□ 090-22 80
1408	16	3.3	140.732	3262	9324	4612	9325	4811	16	4.00E-03	GKS11 - 3A □□□ 090C22 MDSKA□□ 090-22 80
1587	15	3.3	158.571	3675	9324	5196	9325	5421	15	3.99E-03	GKS11 - 3A □□□ 090C22 MDSKA□□ 090-22 80
1871	12	3.1	186.572	4324	9324	6114	9325	5975	12	4.31E-03	GKS11 - 3A □□□ 090C22 MDSKA□□ 090-22 80
2117	11	2.7	210.222	4872	9324	6889	9325	5892	11	4.31E-03	GKS11 - 3A □□□ 090C22 MDSKA□□ 090-22 80
2284	10	2.6	226.431	5248	9324	7420	9325	5975	10	4.12E-03	GKS11 - 3A □□□ 090C22 MDSKA□□ 090-22 80
2583	9.0	2.3	255.133	5913	9324	8361	9325	5892	9.0	4.12E-03	GKS11 - 3A □□□ 090C22 MDSKA□□ 090-22 80
2904	8.0	2.0	286.219	6634	9324	8963	9325	5975	8.0	3.94E-03	GKS11 - 3A □□□ 090C22 MDSKA□□ 090-22 80
3281	7.1	1.8	322.500	7475	9324	8838	9325	5892	7.1	3.94E-03	GKS11 - 3A □□□ 090C22 MDSKA□□ 090-22 80
608	58	5.7	70.887	1576	9325	1885	9326	4497	44	4.90E-03	GKS11 - 3A □□□ 090C22 MDSKA□□ 090-22 140
685	51	5.7	79.873	1775	9325	2124	9326	5068	39	4.89E-03	GKS11 - 3A □□□ 090C22 MDSKA□□ 090-22 140
797	45	4.6	91.737	2039	9325	2440	9326	4660	34	4.43E-03	GKS11 - 3A □□□ 090C22 MDSKA□□ 090-22 140
898	40	4.6	103.365	2298	9325	2749	9326	5250	30	4.42E-03	GKS11 - 3A □□□ 090C22 MDSKA□□ 090-22 140
970	37	4.2	111.335	2475	9325	2961	9326	4734	28	4.21E-03	GKS11 - 3A □□□ 090C22 MDSKA□□ 090-22 140
1093	33	4.2	125.448	2788	9325	3336	9326	5335	25	4.20E-03	GKS11 - 3A □□□ 090C22 MDSKA□□ 090-22 140
1238	29	3.4	140.732	3128	9325	3743	9326	4811	22	4.00E-03	GKS11 - 3A □□□ 090C22 MDSKA□□ 090-22 140
1395	26	3.4	158.571	3525	9325	4217	9326	5421	20	3.99E-03	GKS11 - 3A □□□ 090C22 MDSKA□□ 090-22 140
1645	22	3.2	186.572	4147	9325	4962	9326	5975	17	4.31E-03	GKS11 - 3A □□□ 090C22 MDSKA□□ 090-22 140
1861	20	2.8	210.222	4673	9325	5591	9326	5892	15	4.31E-03	GKS11 - 3A □□□ 090C22 MDSKA□□ 090-22 140
2008	18	2.6	226.431	5033	9325	6022	9326	5975	14	4.12E-03	GKS11 - 3A □□□ 090C22 MDSKA□□ 090-22 140
2271	16	2.3	255.133	5671	9325	6786	9326	5892	12	4.12E-03	GKS11 - 3A □□□ 090C22 MDSKA□□ 090-22 140
2553	14	2.1	286.219	6362	9325	7612	9326	5975	11	3.94E-03	GKS11 - 3A □□□ 090C22 MDSKA□□ 090-22 140
2885	13	1.8	322.500	7168	9325	8577	9326	5892	9.7	3.94E-03	GKS11 - 3A □□□ 090C22 MDSKA□□ 090-22 140

Observe the notes for thermal dimensioning.

Selection tables - Helical-bevel gearboxes

Naturally ventilated asynchronous geared servo motors

M ₂ [Nm]	n _{2 trans} [rpm]	c	i	M _{2 max} short-time on geared motor at				M _{2 Gr} gearbox c=1 n ₁ ≤ 1400 rpm [Nm]	n _{2 therm} [rpm]	J _{GM} referred to motor shaft [kgm ²]	Helical-bevel geared servo motor Dimensions on Page 6-88
				8 kHz		16 kHz					
				M _{2 max} [Nm]	Type EVS	M _{2 max} [Nm]	Type EVS				
955	36	5.8	64.995	2914	9325	2087	9325	5992	36	8.95E-03	GKS11 - 3A □□□ 100C22 MDSKA□□ 100-22 80
1047	33	5.3	70.887	3178	9325	2276	9325	5973	33	8.50E-03	GKS11 - 3A □□□ 100C22 MDSKA□□ 100-22 80
1187	29	4.8	79.873	3581	9325	2564	9325	6032	29	8.49E-03	GKS11 - 3A □□□ 100C22 MDSKA□□ 100-22 80
1374	26	4.1	91.737	4113	9325	2945	9325	5975	26	8.03E-03	GKS11 - 3A □□□ 100C22 MDSKA□□ 100-22 80
1555	23	3.7	103.365	4634	9325	3319	9325	6072	23	8.02E-03	GKS11 - 3A □□□ 100C22 MDSKA□□ 100-22 80
1679	21	3.5	111.335	4992	9325	3574	9325	5975	21	7.81E-03	GKS11 - 3A □□□ 100C22 MDSKA□□ 100-22 80
1899	19	3.1	125.448	5624	9325	4028	9325	6072	19	7.80E-03	GKS11 - 3A □□□ 100C22 MDSKA□□ 100-22 80
2856	13	2.1	186.572	8365	9325	5990	9325	5975	13	7.91E-03	GKS11 - 3A □□□ 100C22 MDSKA□□ 100-22 80
3227	11	1.8	210.222	8838	9325	6749	9325	5892	11	7.91E-03	GKS11 - 3A □□□ 100C22 MDSKA□□ 100-22 80
3480	10	1.7	226.431	8963	9325	7270	9325	5975	10	7.72E-03	GKS11 - 3A □□□ 100C22 MDSKA□□ 100-22 80
3930	9.2	1.5	255.133	8838	9325	8191	9325	5892	9.2	7.72E-03	GKS11 - 3A □□□ 100C22 MDSKA□□ 100-22 80
766	59	6.0	70.887	2916	9326	1737	9326	5973	35	8.50E-03	GKS11 - 3A □□□ 100C22 MDSKA□□ 100-22 140
869	52	5.4	79.873	3285	9326	1957	9326	6032	31	8.49E-03	GKS11 - 3A □□□ 100C22 MDSKA□□ 100-22 140
1006	45	4.6	91.737	3773	9326	2248	9326	5975	27	8.03E-03	GKS11 - 3A □□□ 100C22 MDSKA□□ 100-22 140
1139	40	4.2	103.365	4251	9326	2533	9326	6072	24	8.02E-03	GKS11 - 3A □□□ 100C22 MDSKA□□ 100-22 140
1226	37	4.2	111.335	4579	9326	2728	9326	5975	22	7.81E-03	GKS11 - 3A □□□ 100C22 MDSKA□□ 100-22 140
1388	33	3.8	125.448	5160	9326	3074	9326	6072	20	7.80E-03	GKS11 - 3A □□□ 100C22 MDSKA□□ 100-22 140
2093	22	2.5	186.572	7674	9326	4572	9326	5975	13	7.91E-03	GKS11 - 3A □□□ 100C22 MDSKA□□ 100-22 140
2366	20	2.2	210.222	8646	9326	5152	9326	5892	12	7.91E-03	GKS11 - 3A □□□ 100C22 MDSKA□□ 100-22 140
2552	18	2.1	226.431	8963	9326	5549	9326	5975	11	7.72E-03	GKS11 - 3A □□□ 100C22 MDSKA□□ 100-22 140
2883	16	1.8	255.133	8838	9326	6252	9326	5892	9.6	7.72E-03	GKS11 - 3A □□□ 100C22 MDSKA□□ 100-22 140
794	70	5.7	35.741	2648	9326	1894	9326	5655	56	2.17E-02	GKS11 - 3A □□□ 112C22 MDSKA□□ 112-22 85
899	62	5.3	40.272	2984	9326	2135	9326	5869	50	2.16E-02	GKS11 - 3A □□□ 112C22 MDSKA□□ 112-22 85
975	57	5.4	43.783	3244	9326	2321	9326	5800	46	2.08E-02	GKS11 - 3A □□□ 112C22 MDSKA□□ 112-22 85
1105	50	4.9	49.333	3655	9326	2615	9326	5923	41	2.08E-02	GKS11 - 3A □□□ 112C22 MDSKA□□ 112-22 85
1302	43	4.3	57.683	4274	9326	3057	9326	5972	35	1.98E-02	GKS11 - 3A □□□ 112C22 MDSKA□□ 112-22 85
1474	38	3.8	64.995	4815	9326	3445	9326	5992	31	1.98E-02	GKS11 - 3A □□□ 112C22 MDSKA□□ 112-22 85
1613	35	3.5	70.887	5252	9326	3757	9326	5973	28	1.93E-02	GKS11 - 3A □□□ 112C22 MDSKA□□ 112-22 85
1825	31	3.1	79.873	5918	9326	4234	9326	6032	25	1.93E-02	GKS11 - 3A □□□ 112C22 MDSKA□□ 112-22 85
890	72	5.2	57.683	2405	9326	2055	9327	5972	35	1.98E-02	GKS11 - 3A □□□ 112C22 MDSKA□□ 112-22 140
1010	64	4.6	64.995	2710	9326	2315	9327	5992	31	1.98E-02	GKS11 - 3A □□□ 112C22 MDSKA□□ 112-22 140
1106	59	4.2	70.887	2956	9326	2525	9327	5973	28	1.93E-02	GKS11 - 3A □□□ 112C22 MDSKA□□ 112-22 140
1252	52	3.8	79.873	3331	9326	2845	9327	6032	25	1.93E-02	GKS11 - 3A □□□ 112C22 MDSKA□□ 112-22 140
1483	4.8	3.6	816.455	3392	9322	4040	9323	5975	4.8	3.22E-04	GKS11 - 4A □□□ 056C22 MDSKA□□ 056-22 140

Observe the notes for thermal dimensioning.

Selection tables - Helical-bevel gearboxes

Naturally ventilated asynchronous geared servo motors



M ₂ [Nm]	n _{2 trans} [rpm]	c	i	M _{2 max} short-time on geared motor at				M _{2 Gr} gearbox c=1 n ₁ ≤ 1400 rpm [Nm]	n _{2 therm} [rpm]	J _{GM} referred to motor shaft [kgm ²]	Helical-bevel geared servo motor Dimensions on Page 6-88
				8 kHz		16 kHz					
				M _{2 max} [Nm]	Type EVS	M _{2 max} [Nm]	Type EVS				
1677	4.3	3.2	919.949	3822	9322	4553	9323	6072	4.3	3.22E-04	GKS11 - 4A □□□ 056C22 MDSKA□□ 056-22 140
1812	4.0	2.9	990.879	4117	9322	4904	9323	5975	4.0	3.00E-04	GKS11 - 4A □□□ 056C22 MDSKA□□ 056-22 140
2048	3.5	2.7	1116.484	4639	9322	5525	9323	6072	3.5	3.00E-04	GKS11 - 4A □□□ 056C22 MDSKA□□ 056-22 140
2306	3.2	2.3	1252.516	5204	9322	6198	9323	5975	3.2	2.79E-04	GKS11 - 4A □□□ 056C22 MDSKA□□ 056-22 140
2604	2.8	2.1	1411.286	5864	9322	6984	9323	6072	2.8	2.79E-04	GKS11 - 4A □□□ 056C22 MDSKA□□ 056-22 140
1161	13	4.5	322.931	3799	9324	2774	9324	5973	13	1.04E-03	GKS11 - 4A □□□ 071C22 MDSKA□□ 071-22 140
1315	11	4.0	363.866	4281	9324	3126	9324	6032	11	1.04E-03	GKS11 - 4A □□□ 071C22 MDSKA□□ 071-22 140
1436	10	3.7	395.787	4656	9324	3400	9324	5973	10	9.82E-04	GKS11 - 4A □□□ 071C22 MDSKA□□ 071-22 140
1625	9.1	3.3	445.958	5247	9324	3831	9324	6032	9.1	9.82E-04	GKS11 - 4A □□□ 071C22 MDSKA□□ 071-22 140
1876	7.9	2.8	512.196	6026	9324	4400	9324	5975	7.9	9.69E-04	GKS11 - 4A □□□ 071C22 MDSKA□□ 071-22 140
2120	7.0	2.5	577.122	6790	9324	4958	9324	6072	7.0	9.68E-04	GKS11 - 4A □□□ 071C22 MDSKA□□ 071-22 140
2289	6.5	2.3	621.619	7313	9324	5340	9324	5975	6.5	9.61E-04	GKS11 - 4A □□□ 071C22 MDSKA□□ 071-22 140
2585	5.8	2.1	700.416	8240	9324	6017	9324	6072	5.8	9.61E-04	GKS11 - 4A □□□ 071C22 MDSKA□□ 071-22 140
3024	5.0	1.8	816.455	8963	9324	7014	9324	5975	5.0	9.12E-04	GKS11 - 4A □□□ 071C22 MDSKA□□ 071-22 140
3414	4.4	1.6	919.949	9108	9324	7903	9324	6072	4.4	9.12E-04	GKS11 - 4A □□□ 071C22 MDSKA□□ 071-22 140
3683	4.1	1.5	990.879	8963	9324	8512	9324	5975	4.1	8.90E-04	GKS11 - 4A □□□ 071C22 MDSKA□□ 071-22 140
4156	3.6	1.3	1116.484	9108	9324	9108	9324	6072	3.6	8.90E-04	GKS11 - 4A □□□ 071C22 MDSKA□□ 071-22 140
4670	3.2	1.2	1252.516	8963	9324	8963	9324	5975	3.2	8.69E-04	GKS11 - 4A □□□ 071C22 MDSKA□□ 071-22 140
5269	2.9	1.0	1411.286	9108	9324	9108	9324	6072	2.9	8.69E-04	GKS11 - 4A □□□ 071C22 MDSKA□□ 071-22 140
1028	12	5.5	172.667	2434	9323	3418	9324	5923	12	2.37E-03	GKS11 - 4A □□□ 080C22 MDSKA□□ 080-22 70
1213	9.9	4.7	201.890	2847	9323	3996	9324	5972	9.9	2.29E-03	GKS11 - 4A □□□ 080C22 MDSKA□□ 080-22 70
1374	8.8	4.2	227.481	3207	9323	4503	9324	5992	8.8	2.29E-03	GKS11 - 4A □□□ 080C22 MDSKA□□ 080-22 70
1505	8.1	3.8	248.106	3498	9323	4911	9324	5973	8.1	2.26E-03	GKS11 - 4A □□□ 080C22 MDSKA□□ 080-22 70
1703	7.2	3.4	279.556	3942	9323	5534	9324	6032	7.2	2.25E-03	GKS11 - 4A □□□ 080C22 MDSKA□□ 080-22 70
1978	6.2	3.0	322.931	4553	9323	6392	9324	5973	6.2	2.13E-03	GKS11 - 4A □□□ 080C22 MDSKA□□ 080-22 70
2236	5.5	2.7	363.866	5130	9323	7203	9324	6032	5.5	2.13E-03	GKS11 - 4A □□□ 080C22 MDSKA□□ 080-22 70
2439	5.1	2.4	395.787	5580	9323	7835	9324	5973	5.1	2.07E-03	GKS11 - 4A □□□ 080C22 MDSKA□□ 080-22 70
2755	4.5	2.2	445.958	6288	9323	8828	9324	6032	4.5	2.07E-03	GKS11 - 4A □□□ 080C22 MDSKA□□ 080-22 70
3175	3.9	1.9	512.196	7222	9323	8963	9324	5975	3.9	2.06E-03	GKS11 - 4A □□□ 080C22 MDSKA□□ 080-22 70
3584	3.5	1.7	577.122	8137	9323	9108	9324	6072	3.5	2.06E-03	GKS11 - 4A □□□ 080C22 MDSKA□□ 080-22 70
3866	3.2	1.5	621.619	8764	9323	8963	9324	5975	3.2	2.05E-03	GKS11 - 4A □□□ 080C22 MDSKA□□ 080-22 70
4364	2.9	1.4	700.416	9108	9323	9108	9324	6072	2.9	2.05E-03	GKS11 - 4A □□□ 080C22 MDSKA□□ 080-22 70
5098	2.5	1.2	816.455	8963	9323	8963	9324	5975	2.5	2.00E-03	GKS11 - 4A □□□ 080C22 MDSKA□□ 080-22 70
5752	2.2	1.1	919.949	9108	9323	9108	9324	6072	2.2	2.00E-03	GKS11 - 4A □□□ 080C22 MDSKA□□ 080-22 70

Observe the notes for thermal dimensioning.

Selection tables - Helical-bevel gearboxes

Naturally ventilated asynchronous geared servo motors

M ₂ [Nm]	n ₂ trans [rpm]	c	i	M ₂ max short-time on geared motor at				M ₂ Gr gearbox c=1 n ₁ ≤ 1400 rpm [Nm]	n ₂ therm [rpm]	J _{GM} referred to motor shaft [kgm ²]	Helical-bevel geared servo motor Dimensions on Page 6-88
				8 kHz		16 kHz					
				M ₂ max [Nm]	Type EVS	M ₂ max [Nm]	Type EVS				
971	20	5.3	201.890	2488	9324	3601	9325	5972	18	2.29E-03	GKS11 - 4A □□□ 080C22 MDSKA□□ 080-22 140
1101	18	4.7	227.481	2804	9324	4057	9325	5992	16	2.29E-03	GKS11 - 4A □□□ 080C22 MDSKA□□ 080-22 140
1207	17	4.3	248.106	3058	9324	4425	9325	5973	14	2.26E-03	GKS11 - 4A □□□ 080C22 MDSKA□□ 080-22 140
1366	15	3.9	279.556	3446	9324	4986	9325	6032	13	2.25E-03	GKS11 - 4A □□□ 080C22 MDSKA□□ 080-22 140
1588	13	3.3	322.931	3980	9324	5759	9325	5973	11	2.13E-03	GKS11 - 4A □□□ 080C22 MDSKA□□ 080-22 140
1796	11	3.0	363.866	4485	9324	6489	9325	6032	9.9	2.13E-03	GKS11 - 4A □□□ 080C22 MDSKA□□ 080-22 140
1959	10	2.7	395.787	4878	9324	7059	9325	5973	9.1	2.07E-03	GKS11 - 4A □□□ 080C22 MDSKA□□ 080-22 140
2214	9.2	2.4	445.958	5496	9324	7953	9325	6032	8.1	2.07E-03	GKS11 - 4A □□□ 080C22 MDSKA□□ 080-22 140
2553	8.0	2.1	512.196	6313	9324	8963	9325	5975	7.0	2.06E-03	GKS11 - 4A □□□ 080C22 MDSKA□□ 080-22 140
2882	7.1	1.9	577.122	7113	9324	9108	9325	6072	6.2	2.06E-03	GKS11 - 4A □□□ 080C22 MDSKA□□ 080-22 140
3110	6.6	1.7	621.619	7662	9324	8963	9325	5975	5.8	2.05E-03	GKS11 - 4A □□□ 080C22 MDSKA□□ 080-22 140
3511	5.9	1.5	700.416	8633	9324	9108	9325	6072	5.1	2.05E-03	GKS11 - 4A □□□ 080C22 MDSKA□□ 080-22 140
4103	5.0	1.3	816.455	8963	9324	8963	9325	5975	4.4	2.00E-03	GKS11 - 4A □□□ 080C22 MDSKA□□ 080-22 140
4630	4.5	1.2	919.949	9108	9324	9108	9325	6072	3.9	2.00E-03	GKS11 - 4A □□□ 080C22 MDSKA□□ 080-22 140
4992	4.1	1.1	990.879	8963	9324	8963	9325	5975	3.6	1.98E-03	GKS11 - 4A □□□ 080C22 MDSKA□□ 080-22 140
981	23	5.4	102.119	2327	9324	3290	9325	5655	23	4.33E-03	GKS11 - 4A □□□ 090C22 MDSKA□□ 090-22 80
1110	20	5.1	115.063	2621	9324	3707	9325	5869	20	4.32E-03	GKS11 - 4A □□□ 090C22 MDSKA□□ 090-22 80
1213	18	4.6	125.095	2850	9324	4030	9325	5800	18	4.22E-03	GKS11 - 4A □□□ 090C22 MDSKA□□ 090-22 80
1373	16	4.2	140.952	3211	9324	4541	9325	5923	16	4.22E-03	GKS11 - 4A □□□ 090C22 MDSKA□□ 090-22 80
1500	15	3.8	153.242	3491	9324	4936	9325	5800	15	4.05E-03	GKS11 - 4A □□□ 090C22 MDSKA□□ 090-22 80
1696	13	3.4	172.667	3934	9324	5562	9325	5923	13	4.05E-03	GKS11 - 4A □□□ 090C22 MDSKA□□ 090-22 80
1994	11	2.9	201.890	4600	9324	6504	9325	5972	11	3.97E-03	GKS11 - 4A □□□ 090C22 MDSKA□□ 090-22 80
2254	10	2.6	227.481	5183	9324	7328	9325	5992	10	3.97E-03	GKS11 - 4A □□□ 090C22 MDSKA□□ 090-22 80
2465	9.3	2.4	248.106	5653	9324	7992	9325	5973	9.3	3.94E-03	GKS11 - 4A □□□ 090C22 MDSKA□□ 090-22 80
2785	8.2	2.1	279.556	6369	9324	9005	9325	6032	8.2	3.93E-03	GKS11 - 4A □□□ 090C22 MDSKA□□ 090-22 80
3227	7.1	1.8	322.931	7357	9324	8960	9325	5973	7.1	3.81E-03	GKS11 - 4A □□□ 090C22 MDSKA□□ 090-22 80
3644	6.3	1.6	363.866	8290	9324	9048	9325	6032	6.3	3.81E-03	GKS11 - 4A □□□ 090C22 MDSKA□□ 090-22 80
3970	5.8	1.5	395.787	8960	9324	8960	9325	5973	5.8	3.75E-03	GKS11 - 4A □□□ 090C22 MDSKA□□ 090-22 80
4481	5.2	1.3	445.958	9048	9324	9048	9325	6032	5.2	3.75E-03	GKS11 - 4A □□□ 090C22 MDSKA□□ 090-22 80
5156	4.5	1.2	512.196	8963	9324	8963	9325	5975	4.5	3.74E-03	GKS11 - 4A □□□ 090C22 MDSKA□□ 090-22 80
5817	4.0	1.0	577.122	9108	9324	9108	9325	6072	4.0	3.74E-03	GKS11 - 4A □□□ 090C22 MDSKA□□ 090-22 80
866	40	5.1	102.119	2231	9325	2670	9326	5655	30	4.33E-03	GKS11 - 4A □□□ 090C22 MDSKA□□ 090-22 140
975	36	5.2	115.063	2514	9325	3008	9326	5869	27	4.32E-03	GKS11 - 4A □□□ 090C22 MDSKA□□ 090-22 140
1066	33	4.7	125.095	2733	9325	3271	9326	5800	25	4.22E-03	GKS11 - 4A □□□ 090C22 MDSKA□□ 090-22 140

Observe the notes for thermal dimensioning.

Selection tables - Helical-bevel gearboxes

Naturally ventilated asynchronous geared servo motors



M ₂ [Nm]	n _{2 trans} [rpm]	c	i	M _{2 max} short-time on geared motor at				M _{2 Gr} gearbox c=1 n ₁ ≤ 1400 rpm [Nm]	n _{2 therm} [rpm]	J _{GM} referred to motor shaft [kgm ²]	Helical-bevel geared servo motor Dimensions on Page 6-88
				8 kHz		16 kHz					
				M _{2 max} [Nm]	Type EVS	M _{2 max} [Nm]	Type EVS				
1207	29	4.3	140.952	3080	9325	3685	9326	5923	22	4.22E-03	GKS11 - 4A □□□ 090C22 MDSKA□□ 090-22 140
1318	27	3.8	153.242	3348	9325	4006	9326	5800	20	4.05E-03	GKS11 - 4A □□□ 090C22 MDSKA□□ 090-22 140
1491	24	3.5	172.667	3773	9325	4514	9326	5923	18	4.05E-03	GKS11 - 4A □□□ 090C22 MDSKA□□ 090-22 140
1752	20	3.0	201.890	4411	9325	5278	9326	5972	15	3.97E-03	GKS11 - 4A □□□ 090C22 MDSKA□□ 090-22 140
1982	18	2.7	227.481	4970	9325	5947	9326	5992	14	3.97E-03	GKS11 - 4A □□□ 090C22 MDSKA□□ 090-22 140
2167	17	2.4	248.106	5421	9325	6487	9326	5973	13	3.94E-03	GKS11 - 4A □□□ 090C22 MDSKA□□ 090-22 140
2448	15	2.2	279.556	6108	9325	7309	9326	6032	11	3.93E-03	GKS11 - 4A □□□ 090C22 MDSKA□□ 090-22 140
2838	13	1.9	322.931	7056	9325	8443	9326	5973	9.6	3.81E-03	GKS11 - 4A □□□ 090C22 MDSKA□□ 090-22 140
3204	11	1.7	363.866	7950	9325	9048	9326	6032	8.6	3.81E-03	GKS11 - 4A □□□ 090C22 MDSKA□□ 090-22 140
3491	10	1.5	395.787	8648	9325	8960	9326	5973	7.9	3.75E-03	GKS11 - 4A □□□ 090C22 MDSKA□□ 090-22 140
3940	9.2	1.4	445.958	9048	9325	9048	9326	6032	7.0	3.75E-03	GKS11 - 4A □□□ 090C22 MDSKA□□ 090-22 140
4534	8.0	1.2	512.196	8963	9325	8963	9326	5975	6.1	3.74E-03	GKS11 - 4A □□□ 090C22 MDSKA□□ 090-22 140
5116	7.1	1.1	577.122	9108	9325	9108	9326	6072	5.4	3.74E-03	GKS11 - 4A □□□ 090C22 MDSKA□□ 090-22 140
1512	23	3.6	102.119	4501	9325	3223	9325	5655	23	7.93E-03	GKS11 - 4A □□□ 100C22 MDSKA□□ 100-22 80
1707	20	3.4	115.063	5071	9325	3631	9325	5869	20	7.92E-03	GKS11 - 4A □□□ 100C22 MDSKA□□ 100-22 80
1862	19	3.0	125.095	5513	9325	3948	9325	5800	19	7.82E-03	GKS11 - 4A □□□ 100C22 MDSKA□□ 100-22 80
2105	17	2.8	140.952	6212	9325	4448	9325	5923	17	7.82E-03	GKS11 - 4A □□□ 100C22 MDSKA□□ 100-22 80
2295	15	2.5	153.242	6754	9325	4836	9325	5800	15	7.65E-03	GKS11 - 4A □□□ 100C22 MDSKA□□ 100-22 80
2593	14	2.3	172.667	7610	9325	5449	9325	5923	14	7.65E-03	GKS11 - 4A □□□ 100C22 MDSKA□□ 100-22 80
3042	12	1.9	201.890	8898	9325	6372	9325	5972	12	7.57E-03	GKS11 - 4A □□□ 100C22 MDSKA□□ 100-22 80
3435	10	1.7	227.481	8988	9325	7179	9325	5992	10	7.57E-03	GKS11 - 4A □□□ 100C22 MDSKA□□ 100-22 80
3753	9.4	1.6	248.106	8960	9325	7830	9325	5973	9.4	7.54E-03	GKS11 - 4A □□□ 100C22 MDSKA□□ 100-22 80
4236	8.4	1.4	279.556	9048	9325	8823	9325	6032	8.4	7.53E-03	GKS11 - 4A □□□ 100C22 MDSKA□□ 100-22 80
1107	41	4.0	102.119	4129	9326	2460	9326	5655	24	7.93E-03	GKS11 - 4A □□□ 100C22 MDSKA□□ 100-22 140
1247	36	4.1	115.063	4652	9326	2772	9326	5869	21	7.92E-03	GKS11 - 4A □□□ 100C22 MDSKA□□ 100-22 140
1361	33	3.7	125.095	5058	9326	3014	9326	5800	20	7.82E-03	GKS11 - 4A □□□ 100C22 MDSKA□□ 100-22 140
1539	29	3.4	140.952	5699	9326	3396	9326	5923	17	7.82E-03	GKS11 - 4A □□□ 100C22 MDSKA□□ 100-22 140
1680	27	3.0	153.242	6196	9326	3692	9326	5800	16	7.65E-03	GKS11 - 4A □□□ 100C22 MDSKA□□ 100-22 140
1898	24	2.7	172.667	6981	9326	4160	9326	5923	14	7.65E-03	GKS11 - 4A □□□ 100C22 MDSKA□□ 100-22 140
2229	21	2.4	201.890	8162	9326	4864	9326	5972	12	7.57E-03	GKS11 - 4A □□□ 100C22 MDSKA□□ 100-22 140
2519	18	2.1	227.481	8988	9326	5480	9326	5992	11	7.57E-03	GKS11 - 4A □□□ 100C22 MDSKA□□ 100-22 140
2752	17	1.9	248.106	8960	9326	5977	9326	5973	9.9	7.54E-03	GKS11 - 4A □□□ 100C22 MDSKA□□ 100-22 140
3108	15	1.7	279.556	9048	9326	6734	9326	6032	8.8	7.53E-03	GKS11 - 4A □□□ 100C22 MDSKA□□ 100-22 140
2049	17	5.5	138.913	6228	9325	4460	9325	11784	17	8.40E-03	GKS14 - 3A □□□ 100C22 MDSKA□□ 100-22 80

Observe the notes for thermal dimensioning.

Selection tables - Helical-bevel gearboxes

Naturally ventilated asynchronous geared servo motors

M ₂ [Nm]	n _{2 trans} [rpm]	c	i	M _{2 max} short-time on geared motor at				M _{2 Gr} gearbox c=1 n ₁ ≤ 1400 rpm [Nm]	n _{2 therm} [rpm]	J _{GM} referred to motor shaft [kgm ²]	Helical-bevel geared servo motor Dimensions on Page 6-88
				8 kHz		16 kHz					
				M _{2 max} [Nm]	Type EVS	M _{2 max} [Nm]	Type EVS				
2326	15	4.8	156.522	7017	9325	5025	9325	11639	15	8.39E-03	GKS14 - 3A □□□ 100C22 MDSKA□□ 100-22 80
2797	13	4.0	186.572	8365	9325	5990	9325	11609	13	9.36E-03	GKS14 - 3A □□□ 100C22 MDSKA□□ 100-22 80
3167	11	3.6	210.222	9425	9325	6749	9325	11555	11	9.35E-03	GKS14 - 3A □□□ 100C22 MDSKA□□ 100-22 80
3420	10	3.3	226.431	10152	9325	7270	9325	11609	10	8.79E-03	GKS14 - 3A □□□ 100C22 MDSKA□□ 100-22 80
3870	9.2	2.9	255.133	11439	9325	8191	9325	11555	9.2	8.78E-03	GKS14 - 3A □□□ 100C22 MDSKA□□ 100-22 80
4356	8.2	2.6	286.219	12832	9325	9189	9325	11609	8.2	8.25E-03	GKS14 - 3A □□□ 100C22 MDSKA□□ 100-22 80
4924	7.3	2.3	322.500	14459	9325	10354	9325	11555	7.3	8.25E-03	GKS14 - 3A □□□ 100C22 MDSKA□□ 100-22 80
1693	27	5.9	156.522	6438	9326	3836	9326	11639	16	8.39E-03	GKS14 - 3A □□□ 100C22 MDSKA□□ 100-22 140
2039	22	4.9	186.572	7674	9326	4572	9326	11609	13	9.36E-03	GKS14 - 3A □□□ 100C22 MDSKA□□ 100-22 140
2312	20	4.3	210.222	8646	9326	5152	9326	11555	12	9.35E-03	GKS14 - 3A □□□ 100C22 MDSKA□□ 100-22 140
2498	18	4.0	226.431	9313	9326	5549	9326	11609	11	8.79E-03	GKS14 - 3A □□□ 100C22 MDSKA□□ 100-22 140
2830	16	3.6	255.133	10493	9326	6252	9326	11555	9.6	8.78E-03	GKS14 - 3A □□□ 100C22 MDSKA□□ 100-22 140
3187	15	3.2	286.219	11772	9326	7014	9326	11609	8.6	8.25E-03	GKS14 - 3A □□□ 100C22 MDSKA□□ 100-22 140
3605	13	2.8	322.500	13264	9326	7903	9326	11555	7.6	8.25E-03	GKS14 - 3A □□□ 100C22 MDSKA□□ 100-22 140
2022	28	5.2	90.551	6709	9326	4799	9326	11488	22	2.05E-02	GKS14 - 3A □□□ 112C22 MDSKA□□ 112-22 85
2292	24	4.7	102.029	7559	9326	5408	9326	11639	20	2.05E-02	GKS14 - 3A □□□ 112C22 MDSKA□□ 112-22 85
2476	23	4.4	109.896	8142	9326	5825	9326	11784	18	1.98E-02	GKS14 - 3A □□□ 112C22 MDSKA□□ 112-22 85
2801	20	4.0	123.826	9174	9326	6563	9326	11639	16	1.98E-02	GKS14 - 3A □□□ 112C22 MDSKA□□ 112-22 85
4283	13	2.7	186.572	13823	9326	9889	9326	11609	11	2.02E-02	GKS14 - 3A □□□ 112C22 MDSKA□□ 112-22 85
4842	12	2.4	210.222	15575	9326	11142	9326	11555	9.6	2.02E-02	GKS14 - 3A □□□ 112C22 MDSKA□□ 112-22 85
5224	11	2.2	226.431	16776	9326	12001	9326	11609	8.9	1.96E-02	GKS14 - 3A □□□ 112C22 MDSKA□□ 112-22 85
5903	9.8	1.9	255.133	17332	9326	13523	9326	11555	7.9	1.96E-02	GKS14 - 3A □□□ 112C22 MDSKA□□ 112-22 85
1566	41	5.7	102.029	4255	9326	3634	9327	11639	20	2.05E-02	GKS14 - 3A □□□ 112C22 MDSKA□□ 112-22 140
1693	38	5.4	109.896	4583	9326	3915	9327	11784	18	1.98E-02	GKS14 - 3A □□□ 112C22 MDSKA□□ 112-22 140
1911	34	5.2	123.826	5163	9326	4411	9327	11639	16	1.98E-02	GKS14 - 3A □□□ 112C22 MDSKA□□ 112-22 140
2935	22	3.5	186.572	7780	9326	6646	9327	11609	11	2.02E-02	GKS14 - 3A □□□ 112C22 MDSKA□□ 112-22 140
3321	20	3.1	210.222	8766	9326	7488	9327	11555	9.6	2.02E-02	GKS14 - 3A □□□ 112C22 MDSKA□□ 112-22 140
3585	18	2.8	226.431	9442	9326	8065	9327	11609	8.9	1.96E-02	GKS14 - 3A □□□ 112C22 MDSKA□□ 112-22 140
4054	16	2.5	255.133	10639	9326	9088	9327	11555	7.9	1.96E-02	GKS14 - 3A □□□ 112C22 MDSKA□□ 112-22 140
1912	6.2	5.7	321.729	4536	9323	6369	9324	11454	6.2	2.56E-03	GKS14 - 4A □□□ 080C22 MDSKA□□ 080-22 70
2169	5.5	5.1	362.512	5111	9323	7176	9324	11520	5.5	2.56E-03	GKS14 - 4A □□□ 080C22 MDSKA□□ 080-22 70
2348	5.1	4.7	390.671	5508	9323	7733	9324	11454	5.1	2.39E-03	GKS14 - 4A □□□ 080C22 MDSKA□□ 080-22 70
2660	4.5	4.2	440.193	6206	9323	8714	9324	11520	4.5	2.39E-03	GKS14 - 4A □□□ 080C22 MDSKA□□ 080-22 70
3121	3.9	3.6	513.121	7235	9323	10157	9324	11488	3.9	2.35E-03	GKS14 - 4A □□□ 080C22 MDSKA□□ 080-22 70

Observe the notes for thermal dimensioning.

Selection tables - Helical-bevel gearboxes

Naturally ventilated asynchronous geared servo motors



M ₂ [Nm]	n _{2 trans} [rpm]	c	i	M _{2 max} short-time on geared motor at				M _{2 Gr} gearbox c=1 n ₁ ≤ 1400 rpm [Nm]	n _{2 therm} [rpm]	J _{GM} referred to motor shaft [kgm ²]	Helical-bevel geared servo motor Dimensions on Page 6-88
				8 kHz		16 kHz					
				M _{2 max} [Nm]	Type EVS	M _{2 max} [Nm]	Type EVS				
3531	3.5	3.2	578.164	8152	9323	11445	9324	11639	3.5	2.35E-03	GKS14 - 4A □□□ 080C22 MDSKA□□ 080-22 70
3814	3.2	2.9	622.742	8780	9323	12327	9324	11488	3.2	2.33E-03	GKS14 - 4A □□□ 080C22 MDSKA□□ 080-22 70
4312	2.9	2.7	701.681	9893	9323	13890	9324	11639	2.9	2.33E-03	GKS14 - 4A □□□ 080C22 MDSKA□□ 080-22 70
4973	2.5	2.3	805.901	11363	9323	15953	9324	11488	2.5	2.18E-03	GKS14 - 4A □□□ 080C22 MDSKA□□ 080-22 70
5617	2.2	2.0	908.058	12803	9323	17459	9324	11639	2.2	2.18E-03	GKS14 - 4A □□□ 080C22 MDSKA□□ 080-22 70
6061	2.0	1.9	978.071	13790	9323	17232	9324	11488	2.0	2.11E-03	GKS14 - 4A □□□ 080C22 MDSKA□□ 080-22 70
6843	1.8	1.7	1102.052	15538	9323	17459	9324	11639	1.8	2.11E-03	GKS14 - 4A □□□ 080C22 MDSKA□□ 080-22 70
7694	1.6	1.5	1236.326	17232	9323	17232	9324	11488	1.6	2.05E-03	GKS14 - 4A □□□ 080C22 MDSKA□□ 080-22 70
8683	1.4	1.3	1393.043	17459	9323	17459	9324	11639	1.4	2.05E-03	GKS14 - 4A □□□ 080C22 MDSKA□□ 080-22 70
1736	11	5.7	362.512	4468	9324	6465	9325	11520	9.9	2.56E-03	GKS14 - 4A □□□ 080C22 MDSKA□□ 080-22 140
1880	10	5.2	390.671	4815	9324	6967	9325	11454	9.2	2.39E-03	GKS14 - 4A □□□ 080C22 MDSKA□□ 080-22 140
2132	9.3	4.7	440.193	5425	9324	7850	9325	11520	8.2	2.39E-03	GKS14 - 4A □□□ 080C22 MDSKA□□ 080-22 140
2504	8.0	4.0	513.121	6324	9324	9151	9325	11488	7.0	2.35E-03	GKS14 - 4A □□□ 080C22 MDSKA□□ 080-22 140
2834	7.1	3.6	578.164	7126	9324	10311	9325	11639	6.2	2.35E-03	GKS14 - 4A □□□ 080C22 MDSKA□□ 080-22 140
3063	6.6	3.3	622.742	7675	9324	11106	9325	11488	5.8	2.33E-03	GKS14 - 4A □□□ 080C22 MDSKA□□ 080-22 140
3463	5.8	3.0	701.681	8648	9324	12514	9325	11639	5.1	2.33E-03	GKS14 - 4A □□□ 080C22 MDSKA□□ 080-22 140
3996	5.1	2.5	805.901	9933	9324	14372	9325	11488	4.5	2.18E-03	GKS14 - 4A □□□ 080C22 MDSKA□□ 080-22 140
4515	4.5	2.3	908.058	11192	9324	16194	9325	11639	4.0	2.18E-03	GKS14 - 4A □□□ 080C22 MDSKA□□ 080-22 140
4873	4.2	2.1	978.071	12055	9324	17232	9325	11488	3.7	2.11E-03	GKS14 - 4A □□□ 080C22 MDSKA□□ 080-22 140
5504	3.7	1.9	1102.052	13583	9324	17459	9325	11639	3.3	2.11E-03	GKS14 - 4A □□□ 080C22 MDSKA□□ 080-22 140
6190	3.3	1.7	1236.326	15238	9324	17232	9325	11488	2.9	2.05E-03	GKS14 - 4A □□□ 080C22 MDSKA□□ 080-22 140
6987	2.9	1.5	1393.043	17169	9324	17459	9325	11639	2.6	2.05E-03	GKS14 - 4A □□□ 080C22 MDSKA□□ 080-22 140
1851	12	5.9	193.754	4414	9324	6241	9325	11522	12	4.81E-03	GKS14 - 4A □□□ 090C22 MDSKA□□ 090-22 80
2102	11	5.2	218.315	4974	9324	7033	9325	11477	11	4.80E-03	GKS14 - 4A □□□ 090C22 MDSKA□□ 090-22 80
2298	9.7	4.8	237.467	5410	9324	7650	9325	11454	9.7	4.69E-03	GKS14 - 4A □□□ 090C22 MDSKA□□ 090-22 80
2604	8.6	4.3	267.568	6096	9324	8619	9325	11520	8.6	4.68E-03	GKS14 - 4A □□□ 090C22 MDSKA□□ 090-22 80
3156	7.2	3.5	321.729	7330	9324	10364	9325	11454	7.2	4.24E-03	GKS14 - 4A □□□ 090C22 MDSKA□□ 090-22 80
3571	6.3	3.2	362.512	8259	9324	11678	9325	11520	6.3	4.24E-03	GKS14 - 4A □□□ 090C22 MDSKA□□ 090-22 80
3859	5.9	2.9	390.671	8901	9324	12585	9325	11454	5.9	4.07E-03	GKS14 - 4A □□□ 090C22 MDSKA□□ 090-22 80
4363	5.2	2.6	440.193	10029	9324	14180	9325	11520	5.2	4.07E-03	GKS14 - 4A □□□ 090C22 MDSKA□□ 090-22 80
5107	4.5	2.2	513.121	11690	9324	16529	9325	11488	4.5	4.03E-03	GKS14 - 4A □□□ 090C22 MDSKA□□ 090-22 80
5768	4.0	2.0	578.164	13172	9324	17459	9325	11639	4.0	4.03E-03	GKS14 - 4A □□□ 090C22 MDSKA□□ 090-22 80
6224	3.7	1.8	622.742	14188	9324	17232	9325	11488	3.7	4.01E-03	GKS14 - 4A □□□ 090C22 MDSKA□□ 090-22 80
7027	3.3	1.6	701.681	15986	9324	17459	9325	11639	3.3	4.01E-03	GKS14 - 4A □□□ 090C22 MDSKA□□ 090-22 80

Observe the notes for thermal dimensioning.

Selection tables - Helical-bevel gearboxes

Naturally ventilated asynchronous geared servo motors

M ₂ [Nm]	n ₂ trans [rpm]	c	i	M ₂ max short-time on geared motor at				M ₂ Gr gearbox c=1 n ₁ ≤ 1400 rpm [Nm]	n ₂ therm [rpm]	J _{GM} referred to motor shaft [kgm ²]	Helical-bevel geared servo motor Dimensions on Page 6-88
				8 kHz		16 kHz					
				M ₂ max [Nm]	Type EVS	M ₂ max [Nm]	Type EVS				
8091	2.9	1.4	805.901	17232	9324	17232	9325	11488	2.9	3.86E-03	GKS14 - 4A □□□ 090C22 MDSKA□□ 090-22 80
9130	2.5	1.3	908.058	17459	9324	17459	9325	11639	2.5	3.86E-03	GKS14 - 4A □□□ 090C22 MDSKA□□ 090-22 80
9846	2.4	1.2	978.071	17232	9324	17232	9325	11488	2.4	3.79E-03	GKS14 - 4A □□□ 090C22 MDSKA□□ 090-22 80
11108	2.1	1.0	1102.052	17459	9324	17459	9325	11639	2.1	3.79E-03	GKS14 - 4A □□□ 090C22 MDSKA□□ 090-22 80
1847	19	5.3	218.315	4770	9325	5708	9326	11477	14	4.80E-03	GKS14 - 4A □□□ 090C22 MDSKA□□ 090-22 140
2019	17	4.9	237.467	5188	9325	6208	9326	11454	13	4.69E-03	GKS14 - 4A □□□ 090C22 MDSKA□□ 090-22 140
2288	15	4.4	267.568	5846	9325	6995	9326	11520	12	4.68E-03	GKS14 - 4A □□□ 090C22 MDSKA□□ 090-22 140
2774	13	3.6	321.729	7029	9325	8411	9326	11454	9.7	4.24E-03	GKS14 - 4A □□□ 090C22 MDSKA□□ 090-22 140
3139	11	3.2	362.512	7921	9325	9478	9326	11520	8.6	4.24E-03	GKS14 - 4A □□□ 090C22 MDSKA□□ 090-22 140
3392	11	3.0	390.671	8536	9325	10214	9326	11454	8.0	4.07E-03	GKS14 - 4A □□□ 090C22 MDSKA□□ 090-22 140
3835	9.3	2.7	440.193	9618	9325	11508	9326	11520	7.1	4.07E-03	GKS14 - 4A □□□ 090C22 MDSKA□□ 090-22 140
4489	8.0	2.3	513.121	11211	9325	13415	9326	11488	6.1	4.03E-03	GKS14 - 4A □□□ 090C22 MDSKA□□ 090-22 140
5071	7.1	2.0	578.164	12632	9325	15116	9326	11639	5.4	4.03E-03	GKS14 - 4A □□□ 090C22 MDSKA□□ 090-22 140
5472	6.6	1.9	622.742	13606	9325	16281	9326	11488	5.0	4.01E-03	GKS14 - 4A □□□ 090C22 MDSKA□□ 090-22 140
6179	5.9	1.7	701.681	15331	9325	17459	9326	11639	4.4	4.01E-03	GKS14 - 4A □□□ 090C22 MDSKA□□ 090-22 140
7114	5.1	1.4	805.901	17232	9325	17232	9326	11488	3.9	3.86E-03	GKS14 - 4A □□□ 090C22 MDSKA□□ 090-22 140
8029	4.5	1.3	908.058	17459	9325	17459	9326	11639	3.4	3.86E-03	GKS14 - 4A □□□ 090C22 MDSKA□□ 090-22 140
8658	4.2	1.2	978.071	17232	9325	17232	9326	11488	3.2	3.79E-03	GKS14 - 4A □□□ 090C22 MDSKA□□ 090-22 140
9768	3.7	1.1	1102.052	17459	9325	17459	9326	11639	2.8	3.79E-03	GKS14 - 4A □□□ 090C22 MDSKA□□ 090-22 140
1723	20	5.9	119.493	5266	9325	3771	9325	10787	20	9.19E-03	GKS14 - 4A □□□ 100C22 MDSKA□□ 100-22 80
1951	17	5.5	134.640	5934	9325	4249	9325	11261	17	9.18E-03	GKS14 - 4A □□□ 100C22 MDSKA□□ 100-22 80
2308	15	4.8	158.039	6965	9325	4988	9325	11522	15	8.84E-03	GKS14 - 4A □□□ 100C22 MDSKA□□ 100-22 80
2616	13	4.2	178.072	7848	9325	5620	9325	11477	13	8.83E-03	GKS14 - 4A □□□ 100C22 MDSKA□□ 100-22 80
2857	12	3.9	193.754	8539	9325	6115	9325	11522	12	8.41E-03	GKS14 - 4A □□□ 100C22 MDSKA□□ 100-22 80
3235	11	3.5	218.315	9621	9325	6890	9325	11477	11	8.40E-03	GKS14 - 4A □□□ 100C22 MDSKA□□ 100-22 80
3530	9.9	3.2	237.467	10466	9325	7494	9325	11454	9.9	8.29E-03	GKS14 - 4A □□□ 100C22 MDSKA□□ 100-22 80
3993	8.8	2.8	267.568	11792	9325	8444	9325	11520	8.8	8.28E-03	GKS14 - 4A □□□ 100C22 MDSKA□□ 100-22 80
4826	7.3	2.3	321.729	14179	9325	10154	9325	11454	7.3	7.84E-03	GKS14 - 4A □□□ 100C22 MDSKA□□ 100-22 80
5453	6.5	2.1	362.512	15976	9325	11441	9325	11520	6.5	7.84E-03	GKS14 - 4A □□□ 100C22 MDSKA□□ 100-22 80
5887	6.0	1.9	390.671	17181	9325	12329	9325	11454	6.0	7.67E-03	GKS14 - 4A □□□ 100C22 MDSKA□□ 100-22 80
6648	5.3	1.7	440.193	17280	9325	13892	9325	11520	5.3	7.67E-03	GKS14 - 4A □□□ 100C22 MDSKA□□ 100-22 80
7770	4.6	1.5	513.121	17232	9325	16194	9325	11488	4.6	7.63E-03	GKS14 - 4A □□□ 100C22 MDSKA□□ 100-22 80
8769	4.1	1.3	578.164	17459	9325	17459	9325	11639	4.1	7.63E-03	GKS14 - 4A □□□ 100C22 MDSKA□□ 100-22 80
9456	3.8	1.2	622.742	17232	9325	17232	9325	11488	3.8	7.61E-03	GKS14 - 4A □□□ 100C22 MDSKA□□ 100-22 80

Observe the notes for thermal dimensioning.

Selection tables - Helical-bevel gearboxes

Naturally ventilated asynchronous geared servo motors



M ₂ [Nm]	n _{2 trans} [rpm]	c	i	M _{2 max} short-time on geared motor at				M _{2 Gr} gearbox c=1 n ₁ ≤ 1400 rpm [Nm]	n _{2 therm} [rpm]	J _{GM} referred to motor shaft [kgm ²]	Helical-bevel geared servo motor Dimensions on Page 6-88
				8 kHz		16 kHz					
				M _{2 max} [Nm]	Type EVS	M _{2 max} [Nm]	Type EVS				
10669	3.3	1.1	701.681	17459	9325	17459	9325	11639	3.3	7.61E-03	GKS14 - 4A □□□ 100C22 MDSKA□□ 100-22 80
1679	26	5.8	158.039	6390	9326	3807	9326	11522	15	8.84E-03	GKS14 - 4A □□□ 100C22 MDSKA□□ 100-22 140
1906	23	5.2	178.072	7199	9326	4290	9326	11477	14	8.83E-03	GKS14 - 4A □□□ 100C22 MDSKA□□ 100-22 140
2083	21	4.8	193.754	7833	9326	4668	9326	11522	13	8.41E-03	GKS14 - 4A □□□ 100C22 MDSKA□□ 100-22 140
2362	19	4.2	218.315	8826	9326	5259	9326	11477	11	8.40E-03	GKS14 - 4A □□□ 100C22 MDSKA□□ 100-22 140
2579	17	3.9	237.467	9601	9326	5721	9326	11454	10	8.29E-03	GKS14 - 4A □□□ 100C22 MDSKA□□ 100-22 140
2919	16	3.4	267.568	10818	9326	6446	9326	11520	9.2	8.28E-03	GKS14 - 4A □□□ 100C22 MDSKA□□ 100-22 140
3533	13	2.9	321.729	13008	9326	7750	9326	11454	7.6	7.84E-03	GKS14 - 4A □□□ 100C22 MDSKA□□ 100-22 140
3995	11	2.5	362.512	14656	9326	8733	9326	11520	6.8	7.84E-03	GKS14 - 4A □□□ 100C22 MDSKA□□ 100-22 140
4314	11	2.3	390.671	15795	9326	9411	9326	11454	6.3	7.67E-03	GKS14 - 4A □□□ 100C22 MDSKA□□ 100-22 140
4874	9.4	2.1	440.193	17280	9326	10604	9326	11520	5.6	7.67E-03	GKS14 - 4A □□□ 100C22 MDSKA□□ 100-22 140
5700	8.1	1.8	513.121	17232	9326	12361	9326	11488	4.8	7.63E-03	GKS14 - 4A □□□ 100C22 MDSKA□□ 100-22 140
6436	7.2	1.6	578.164	17459	9326	13928	9326	11639	4.2	7.63E-03	GKS14 - 4A □□□ 100C22 MDSKA□□ 100-22 140
6942	6.7	1.5	622.742	17232	9326	15002	9326	11488	3.9	7.61E-03	GKS14 - 4A □□□ 100C22 MDSKA□□ 100-22 140
7834	5.9	1.3	701.681	17459	9326	16903	9326	11639	3.5	7.61E-03	GKS14 - 4A □□□ 100C22 MDSKA□□ 100-22 140
2160	26	4.3	97.467	7099	9326	5078	9326	10019	21	2.03E-02	GKS14 - 4A □□□ 112C22 MDSKA□□ 112-22 85
2437	23	4.2	109.822	7998	9326	5722	9326	10937	18	2.03E-02	GKS14 - 4A □□□ 112C22 MDSKA□□ 112-22 85
2659	21	3.9	119.493	8703	9326	6226	9326	10787	17	2.00E-02	GKS14 - 4A □□□ 112C22 MDSKA□□ 112-22 85
3005	18	3.6	134.640	9806	9326	7015	9326	11261	15	2.00E-02	GKS14 - 4A □□□ 112C22 MDSKA□□ 112-22 85
3546	16	3.2	158.039	11510	9326	8234	9326	11522	13	1.96E-02	GKS14 - 4A □□□ 112C22 MDSKA□□ 112-22 85
4011	14	2.8	178.072	12969	9326	9278	9326	11477	11	1.96E-02	GKS14 - 4A □□□ 112C22 MDSKA□□ 112-22 85
4375	13	2.6	193.754	14111	9326	10095	9326	11522	10	1.92E-02	GKS14 - 4A □□□ 112C22 MDSKA□□ 112-22 85
4945	11	2.3	218.315	15900	9326	11375	9326	11477	9.2	1.92E-02	GKS14 - 4A □□□ 112C22 MDSKA□□ 112-22 85
5390	10	2.1	237.467	17181	9326	12372	9326	11454	8.5	1.91E-02	GKS14 - 4A □□□ 112C22 MDSKA□□ 112-22 85
6088	9.3	1.9	267.568	17280	9326	13941	9326	11520	7.5	1.91E-02	GKS14 - 4A □□□ 112C22 MDSKA□□ 112-22 85
1477	43	5.2	97.467	3995	9326	3413	9327	10019	21	2.03E-02	GKS14 - 4A □□□ 112C22 MDSKA□□ 112-22 140
1667	38	5.1	109.822	4502	9326	3845	9327	10937	18	2.03E-02	GKS14 - 4A □□□ 112C22 MDSKA□□ 112-22 140
1813	35	5.1	119.493	4898	9326	4184	9327	10787	17	2.00E-02	GKS14 - 4A □□□ 112C22 MDSKA□□ 112-22 140
2052	31	4.7	134.640	5519	9326	4714	9327	11261	15	2.00E-02	GKS14 - 4A □□□ 112C22 MDSKA□□ 112-22 140
2425	26	4.1	158.039	6478	9326	5534	9327	11522	13	1.96E-02	GKS14 - 4A □□□ 112C22 MDSKA□□ 112-22 140
2747	23	3.6	178.072	7299	9326	6235	9327	11477	11	1.96E-02	GKS14 - 4A □□□ 112C22 MDSKA□□ 112-22 140
2998	21	3.4	193.754	7942	9326	6784	9327	11522	10	1.92E-02	GKS14 - 4A □□□ 112C22 MDSKA□□ 112-22 140
3392	19	3.0	218.315	8949	9326	7644	9327	11477	9.2	1.92E-02	GKS14 - 4A □□□ 112C22 MDSKA□□ 112-22 140
3700	18	2.7	237.467	9734	9326	8315	9327	11454	8.5	1.91E-02	GKS14 - 4A □□□ 112C22 MDSKA□□ 112-22 140

Observe the notes for thermal dimensioning.

Selection tables - Helical-bevel gearboxes

Naturally ventilated asynchronous geared servo motors

M ₂ [Nm]	n ₂ trans [rpm]	c	i	M ₂ max short-time on geared motor at				M ₂ Gr gearbox c=1 n ₁ ≤ 1400 rpm [Nm]	n ₂ therm [rpm]	J _{GM} referred to motor shaft [kgm ²]	Helical-bevel geared servo motor Dimensions on Page 6-88
				8 kHz		16 kHz					
				M ₂ max [Nm]	Type EVS	M ₂ max [Nm]	Type EVS				
4182	16	2.4	267.568	10968	9326	9369	9327	11520	7.5	1.91E-02	GKS14 - 4A □□□ 112C22 MDSKA□□ 112-22 140

Observe the notes for thermal dimensioning.

Selection tables - Helical-bevel gearboxes

Forced ventilated asynchronous geared servo motors



M ₂ [Nm]	n _{2 trans} [rpm]	c	i	M _{2 max} short-time on geared motor at				M _{2 Gr} gearbox c=1 n ₁ ≤ 1400 rpm [Nm]	n _{2 therm} [rpm]	J _{GM} referred to motor shaft [kgm ²]	Helical-bevel geared servo motor Dimensions on Page 6-88
				8 kHz		16 kHz					
				M _{2 max} [Nm]	Type EVS	M _{2 max} [Nm]	Type EVS				
30	666	2.0	5.123	63	9324	93	9325	81	593	9.47E-04	GKS04 - 3A □□□ 071C22 MDFKA□□ 071-22 120
42	485	1.7	7.025	87	9324	127	9325	93	445	8.98E-04	GKS04 - 3A □□□ 071C22 MDFKA□□ 071-22 120
48	418	2.0	8.167	101	9324	147	9325	128	372	9.16E-04	GKS04 - 3A □□□ 071C22 MDFKA□□ 071-22 120
54	379	1.5	8.991	111	9324	154	9325	103	379	8.74E-04	GKS04 - 3A □□□ 071C22 MDFKA□□ 071-22 120
59	347	1.4	9.836	122	9324	159	9325	106	347	8.68E-04	GKS04 - 3A □□□ 071C22 MDFKA□□ 071-22 120
69	291	2.0	11.730	145	9324	212	9325	180	256	9.03E-04	GKS04 - 3A □□□ 071C22 MDFKA□□ 071-22 120
78	261	1.6	13.067	161	9324	236	9325	165	206	9.00E-04	GKS04 - 3A □□□ 071C22 MDFKA□□ 071-22 120
85	238	1.5	14.333	177	9324	246	9325	164	238	8.65E-04	GKS04 - 3A □□□ 071C22 MDFKA□□ 071-22 120
96	212	1.4	16.087	199	9324	272	9325	181	181	8.74E-04	GKS04 - 3A □□□ 071C22 MDFKA□□ 071-22 120
107	190	1.2	17.920	221	9324	249	9325	166	150	8.73E-04	GKS04 - 3A □□□ 071C22 MDFKA□□ 071-22 120
123	166	1.1	20.588	254	9324	273	9325	182	148	8.60E-04	GKS04 - 3A □□□ 071C22 MDFKA□□ 071-22 120
135	151	1.0	22.522	273	9324	273	9325	182	138	8.56E-04	GKS04 - 3A □□□ 071C22 MDFKA□□ 071-22 120
40	497	2.7	6.863	85	9324	124	9325	147	389	1.02E-03	GKS05 - 3A □□□ 071C22 MDFKA□□ 071-22 120
56	362	2.2	9.412	116	9324	170	9325	165	320	9.47E-04	GKS05 - 3A □□□ 071C22 MDFKA□□ 071-22 120
62	323	2.7	10.569	131	9324	191	9325	227	253	9.90E-04	GKS05 - 3A □□□ 071C22 MDFKA□□ 071-22 120
69	292	2.7	11.667	144	9324	211	9325	251	229	9.95E-04	GKS05 - 3A □□□ 071C22 MDFKA□□ 071-22 120
78	259	1.6	13.176	163	9324	238	9325	165	231	9.01E-04	GKS05 - 3A □□□ 071C22 MDFKA□□ 071-22 120
86	235	2.2	14.494	179	9324	262	9325	254	208	9.34E-04	GKS05 - 3A □□□ 071C22 MDFKA□□ 071-22 120
95	213	2.2	16.000	198	9324	289	9325	280	188	9.34E-04	GKS05 - 3A □□□ 071C22 MDFKA□□ 071-22 120
101	200	2.3	17.054	211	9324	308	9325	314	151	9.81E-04	GKS05 - 3A □□□ 071C22 MDFKA□□ 071-22 120
114	177	2.0	19.216	237	9324	347	9325	297	129	9.77E-04	GKS05 - 3A □□□ 071C22 MDFKA□□ 071-22 120
139	146	1.8	23.388	289	9324	422	9325	329	119	9.26E-04	GKS05 - 3A □□□ 071C22 MDFKA□□ 071-22 120
157	129	1.4	26.353	325	9324	447	9325	298	94	9.25E-04	GKS05 - 3A □□□ 071C22 MDFKA□□ 071-22 120
178	114	1.4	29.931	370	9324	495	9325	330	92	8.97E-04	GKS05 - 3A □□□ 071C22 MDFKA□□ 071-22 120
195	104	1.3	32.744	404	9324	497	9325	331	85	8.88E-04	GKS05 - 3A □□□ 071C22 MDFKA□□ 071-22 120
221	92	1.0	36.894	453	9324	453	9325	302	69	8.88E-04	GKS05 - 3A □□□ 071C22 MDFKA□□ 071-22 120
250	82	1.0	41.765	497	9324	497	9325	331	71	8.72E-04	GKS05 - 3A □□□ 071C22 MDFKA□□ 071-22 120
78	238	1.8	6.863	193	9324	140	9324	147	238	2.11E-03	GKS05 - 3A □□□ 080C22 MDFKA□□ 080-22 60
107	174	1.5	9.412	247	9324	192	9324	165	174	2.04E-03	GKS05 - 3A □□□ 080C22 MDFKA□□ 080-22 60
119	155	1.8	10.569	297	9324	216	9324	227	155	2.08E-03	GKS05 - 3A □□□ 080C22 MDFKA□□ 080-22 60
132	140	1.8	11.667	328	9324	238	9324	251	140	2.08E-03	GKS05 - 3A □□□ 080C22 MDFKA□□ 080-22 60
150	124	1.1	13.176	248	9324	248	9324	165	124	1.99E-03	GKS05 - 3A □□□ 080C22 MDFKA□□ 080-22 60
164	113	1.5	14.494	380	9324	296	9324	254	113	2.02E-03	GKS05 - 3A □□□ 080C22 MDFKA□□ 080-22 60
181	102	1.5	16.000	420	9324	327	9324	280	102	2.02E-03	GKS05 - 3A □□□ 080C22 MDFKA□□ 080-22 60

Observe the notes for thermal dimensioning.

Selection tables - Helical-bevel gearboxes

Forced ventilated asynchronous geared servo motors

M ₂ [Nm]	n ₂ trans [rpm]	c	i	M ₂ max short-time on geared motor at				M ₂ Gr gearbox c=1 n ₁ ≤ 1400 rpm [Nm]	n ₂ therm [rpm]	J _{GM} referred to motor shaft [kgm ²]	Helical-bevel geared servo motor Dimensions on Page 6-88
				8 kHz		16 kHz					
				M ₂ max [Nm]	Type EVS	M ₂ max [Nm]	Type EVS				
193	96	1.6	17.054	470	9324	348	9324	314	96	2.07E-03	GKS05 - 3A □□□ 080C22 MDFKA□□ 080-22 60
218	85	1.3	19.216	446	9324	392	9324	297	85	2.07E-03	GKS05 - 3A □□□ 080C22 MDFKA□□ 080-22 60
266	70	1.2	23.388	494	9324	478	9324	329	70	2.02E-03	GKS05 - 3A □□□ 080C22 MDFKA□□ 080-22 60
70	503	1.6	6.863	191	9325	138	9325	147	321	2.11E-03	GKS05 - 3A □□□ 080C22 MDFKA□□ 080-22 120
96	367	1.3	9.412	247	9325	190	9325	165	248	2.04E-03	GKS05 - 3A □□□ 080C22 MDFKA□□ 080-22 120
108	327	1.6	10.569	294	9325	213	9325	227	209	2.08E-03	GKS05 - 3A □□□ 080C22 MDFKA□□ 080-22 120
119	296	1.6	11.667	325	9325	235	9325	251	189	2.08E-03	GKS05 - 3A □□□ 080C22 MDFKA□□ 080-22 120
148	238	1.3	14.494	380	9325	292	9325	254	161	2.02E-03	GKS05 - 3A □□□ 080C22 MDFKA□□ 080-22 120
164	216	1.3	16.000	420	9325	322	9325	280	146	2.02E-03	GKS05 - 3A □□□ 080C22 MDFKA□□ 080-22 120
174	203	1.4	17.054	470	9325	343	9325	314	119	2.07E-03	GKS05 - 3A □□□ 080C22 MDFKA□□ 080-22 120
197	180	1.1	19.216	446	9325	387	9325	297	98	2.07E-03	GKS05 - 3A □□□ 080C22 MDFKA□□ 080-22 120
240	148	1.0	23.388	494	9325	471	9325	329	90	2.02E-03	GKS05 - 3A □□□ 080C22 MDFKA□□ 080-22 120
66	300	3.7	11.382	141	9324	205	9325	331	284	1.08E-03	GKS06 - 3A □□□ 071C22 MDFKA□□ 071-22 120
104	191	3.7	17.809	220	9324	321	9325	518	182	1.04E-03	GKS06 - 3A □□□ 071C22 MDFKA□□ 071-22 120
152	131	3.3	26.017	321	9324	470	9325	679	122	1.02E-03	GKS06 - 3A □□□ 071C22 MDFKA□□ 071-22 120
167	120	3.0	28.461	351	9324	514	9325	682	113	9.97E-04	GKS06 - 3A □□□ 071C22 MDFKA□□ 071-22 120
189	106	2.4	32.063	396	9324	579	9325	610	96	9.93E-04	GKS06 - 3A □□□ 071C22 MDFKA□□ 071-22 120
214	94	2.4	36.303	448	9324	655	9325	685	94	9.48E-04	GKS06 - 3A □□□ 071C22 MDFKA□□ 071-22 120
263	77	2.2	44.471	549	9324	803	9325	689	77	9.20E-04	GKS06 - 3A □□□ 071C22 MDFKA□□ 071-22 120
315	64	1.9	53.074	655	9324	958	9325	695	52	9.82E-04	GKS06 - 3A □□□ 071C22 MDFKA□□ 071-22 120
344	59	1.7	57.882	715	9324	1043	9325	695	59	8.88E-04	GKS06 - 3A □□□ 071C22 MDFKA□□ 071-22 120
389	52	1.4	65.207	805	9324	936	9325	624	52	8.87E-04	GKS06 - 3A □□□ 071C22 MDFKA□□ 071-22 120
429	47	1.4	72.000	889	9324	1053	9325	702	47	8.72E-04	GKS06 - 3A □□□ 071C22 MDFKA□□ 071-22 120
485	42	1.1	81.111	945	9324	945	9325	630	42	8.72E-04	GKS06 - 3A □□□ 071C22 MDFKA□□ 071-22 120
557	37	1.1	93.176	1053	9324	1053	9325	702	37	8.56E-04	GKS06 - 3A □□□ 071C22 MDFKA□□ 071-22 120
72	252	3.5	6.485	182	9324	132	9324	263	252	2.51E-03	GKS06 - 3A □□□ 080C22 MDFKA□□ 080-22 60
102	178	3.5	9.196	259	9324	188	9324	373	178	2.42E-03	GKS06 - 3A □□□ 080C22 MDFKA□□ 080-22 60
113	161	3.5	10.147	285	9324	207	9324	412	161	2.41E-03	GKS06 - 3A □□□ 080C22 MDFKA□□ 080-22 60
128	144	2.5	11.382	320	9324	233	9324	331	144	2.17E-03	GKS06 - 3A □□□ 080C22 MDFKA□□ 080-22 60
141	130	2.9	12.612	355	9324	258	9324	426	130	2.24E-03	GKS06 - 3A □□□ 080C22 MDFKA□□ 080-22 60
165	110	3.5	14.824	417	9324	303	9324	600	110	2.35E-03	GKS06 - 3A □□□ 080C22 MDFKA□□ 080-22 60
186	98	3.1	16.699	470	9324	341	9324	604	98	2.34E-03	GKS06 - 3A □□□ 080C22 MDFKA□□ 080-22 60
200	92	2.5	17.809	501	9324	364	9324	518	92	2.13E-03	GKS06 - 3A □□□ 080C22 MDFKA□□ 080-22 60
227	80	2.8	20.329	572	9324	415	9324	665	80	2.20E-03	GKS06 - 3A □□□ 080C22 MDFKA□□ 080-22 60

Observe the notes for thermal dimensioning.

Selection tables - Helical-bevel gearboxes

Forced ventilated asynchronous geared servo motors



M ₂ [Nm]	n _{2 trans} [rpm]	c	i	M _{2 max} short-time on geared motor at				M _{2 Gr} gearbox c=1 n ₁ ≤ 1400 rpm [Nm]	n _{2 therm} [rpm]	J _{GM} referred to motor shaft [kgm ²]	Helical-bevel geared servo motor Dimensions on Page 6-88
				8 kHz		16 kHz					
				M _{2 max} [Nm]	Type EVS	M _{2 max} [Nm]	Type EVS				
258	71	2.3	22.902	644	9324	468	9324	606	71	2.19E-03	GKS06 - 3A □□□ 080C22 MDFKA□□ 080-22 60
293	63	2.2	26.017	732	9324	531	9324	679	63	2.11E-03	GKS06 - 3A □□□ 080C22 MDFKA□□ 080-22 60
321	57	2.0	28.461	800	9324	581	9324	682	57	2.09E-03	GKS06 - 3A □□□ 080C22 MDFKA□□ 080-22 60
363	51	1.6	32.063	902	9324	655	9324	610	51	2.08E-03	GKS06 - 3A □□□ 080C22 MDFKA□□ 080-22 60
411	45	1.6	36.303	1021	9324	741	9324	685	45	2.04E-03	GKS06 - 3A □□□ 080C22 MDFKA□□ 080-22 60
471	39	1.4	41.472	1034	9324	847	9324	689	39	2.13E-03	GKS06 - 3A □□□ 080C22 MDFKA□□ 080-22 60
505	37	1.4	44.471	1034	9324	908	9324	689	37	2.01E-03	GKS06 - 3A □□□ 080C22 MDFKA□□ 080-22 60
604	31	1.1	53.074	1043	9324	1043	9324	695	31	2.07E-03	GKS06 - 3A □□□ 080C22 MDFKA□□ 080-22 60
659	28	1.1	57.882	1043	9324	1043	9324	695	28	1.98E-03	GKS06 - 3A □□□ 080C22 MDFKA□□ 080-22 60
65	533	3.0	6.485	181	9325	131	9325	263	354	2.51E-03	GKS06 - 3A □□□ 080C22 MDFKA□□ 080-22 120
92	376	3.0	9.196	256	9325	185	9325	373	249	2.42E-03	GKS06 - 3A □□□ 080C22 MDFKA□□ 080-22 120
102	340	3.0	10.147	282	9325	204	9325	412	226	2.41E-03	GKS06 - 3A □□□ 080C22 MDFKA□□ 080-22 120
115	304	2.1	11.382	317	9325	229	9325	331	253	2.17E-03	GKS06 - 3A □□□ 080C22 MDFKA□□ 080-22 120
127	274	2.5	12.612	351	9325	254	9325	426	203	2.24E-03	GKS06 - 3A □□□ 080C22 MDFKA□□ 080-22 120
149	233	3.0	14.824	413	9325	299	9325	600	155	2.35E-03	GKS06 - 3A □□□ 080C22 MDFKA□□ 080-22 120
168	207	2.7	16.699	465	9325	336	9325	604	134	2.34E-03	GKS06 - 3A □□□ 080C22 MDFKA□□ 080-22 120
180	194	2.1	17.809	496	9325	359	9325	518	162	2.13E-03	GKS06 - 3A □□□ 080C22 MDFKA□□ 080-22 120
205	170	2.4	20.329	566	9325	409	9325	665	125	2.20E-03	GKS06 - 3A □□□ 080C22 MDFKA□□ 080-22 120
233	151	2.0	22.902	637	9325	461	9325	606	106	2.19E-03	GKS06 - 3A □□□ 080C22 MDFKA□□ 080-22 120
264	133	1.9	26.017	724	9325	524	9325	679	107	2.11E-03	GKS06 - 3A □□□ 080C22 MDFKA□□ 080-22 120
290	121	1.8	28.461	792	9325	573	9325	682	97	2.09E-03	GKS06 - 3A □□□ 080C22 MDFKA□□ 080-22 120
328	108	1.4	32.063	892	9325	646	9325	610	76	2.08E-03	GKS06 - 3A □□□ 080C22 MDFKA□□ 080-22 120
371	95	1.4	36.303	1010	9325	731	9325	685	76	2.04E-03	GKS06 - 3A □□□ 080C22 MDFKA□□ 080-22 120
424	83	1.2	41.472	1034	9325	835	9325	689	45	2.13E-03	GKS06 - 3A □□□ 080C22 MDFKA□□ 080-22 120
455	78	1.3	44.471	1034	9325	896	9325	689	70	2.01E-03	GKS06 - 3A □□□ 080C22 MDFKA□□ 080-22 120
544	65	1.1	53.074	1043	9325	1043	9325	695	39	2.07E-03	GKS06 - 3A □□□ 080C22 MDFKA□□ 080-22 120
594	60	1.0	57.882	1043	9325	1043	9325	695	58	1.98E-03	GKS06 - 3A □□□ 080C22 MDFKA□□ 080-22 120
131	259	1.9	6.485	352	9325	259	9325	263	259	4.19E-03	GKS06 - 3A □□□ 090C22 MDFKA□□ 090-22 60
186	183	1.9	9.196	500	9325	367	9325	373	183	4.10E-03	GKS06 - 3A □□□ 090C22 MDFKA□□ 090-22 60
205	166	1.9	10.147	551	9325	405	9325	412	166	4.09E-03	GKS06 - 3A □□□ 090C22 MDFKA□□ 090-22 60
232	148	1.4	11.382	497	9325	454	9325	331	148	3.85E-03	GKS06 - 3A □□□ 090C22 MDFKA□□ 090-22 60
256	133	1.6	12.612	639	9325	503	9325	426	133	3.92E-03	GKS06 - 3A □□□ 090C22 MDFKA□□ 090-22 60
300	113	1.9	14.824	805	9325	591	9325	600	113	4.03E-03	GKS06 - 3A □□□ 090C22 MDFKA□□ 090-22 60
339	101	1.7	16.699	906	9325	666	9325	604	101	4.02E-03	GKS06 - 3A □□□ 090C22 MDFKA□□ 090-22 60

Observe the notes for thermal dimensioning.

Selection tables - Helical-bevel gearboxes

Forced ventilated asynchronous geared servo motors

M ₂ [Nm]	n _{2 trans} [rpm]	c	i	M _{2 max} short-time on geared motor at				M _{2 Gr} gearbox c=1 n ₁ ≤ 1400 rpm [Nm]	n _{2 therm} [rpm]	J _{GM} referred to motor shaft [kgm ²]	Helical-bevel geared servo motor Dimensions on Page 6-88
				8 kHz		16 kHz					
				M _{2 max} [Nm]	Type EVS	M _{2 max} [Nm]	Type EVS				
362	94	1.4	17.809	777	9325	711	9325	518	94	3.81E-03	GKS06 - 3A □□□ 090C22 MDFKA□□ 090-22 60
413	83	1.5	20.329	998	9325	811	9325	665	83	3.88E-03	GKS06 - 3A □□□ 090C22 MDFKA□□ 090-22 60
466	73	1.2	22.902	909	9325	909	9325	606	73	3.87E-03	GKS06 - 3A □□□ 090C22 MDFKA□□ 090-22 60
530	65	1.2	26.017	1019	9325	1019	9325	679	65	3.79E-03	GKS06 - 3A □□□ 090C22 MDFKA□□ 090-22 60
580	59	1.1	28.461	1023	9325	1023	9325	682	59	3.77E-03	GKS06 - 3A □□□ 090C22 MDFKA□□ 090-22 60
116	537	1.7	6.485	312	9326	275	9327	263	294	4.19E-03	GKS06 - 3A □□□ 090C22 MDFKA□□ 090-22 120
165	378	1.7	9.196	443	9326	390	9327	373	207	4.10E-03	GKS06 - 3A □□□ 090C22 MDFKA□□ 090-22 120
182	343	1.7	10.147	489	9326	430	9327	412	188	4.09E-03	GKS06 - 3A □□□ 090C22 MDFKA□□ 090-22 120
205	306	1.2	11.382	497	9326	482	9327	331	190	3.85E-03	GKS06 - 3A □□□ 090C22 MDFKA□□ 090-22 120
227	276	1.4	12.612	607	9326	534	9327	426	160	3.92E-03	GKS06 - 3A □□□ 090C22 MDFKA□□ 090-22 120
266	235	1.7	14.824	714	9326	628	9327	600	129	4.03E-03	GKS06 - 3A □□□ 090C22 MDFKA□□ 090-22 120
300	208	1.5	16.699	804	9326	707	9327	604	107	4.02E-03	GKS06 - 3A □□□ 090C22 MDFKA□□ 090-22 120
321	195	1.2	17.809	777	9326	755	9327	518	122	3.81E-03	GKS06 - 3A □□□ 090C22 MDFKA□□ 090-22 120
365	171	1.4	20.329	979	9326	861	9327	665	98	3.88E-03	GKS06 - 3A □□□ 090C22 MDFKA□□ 090-22 120
413	152	1.1	22.902	909	9326	909	9327	606	78	3.87E-03	GKS06 - 3A □□□ 090C22 MDFKA□□ 090-22 120
469	134	1.1	26.017	1019	9326	1019	9327	679	79	3.79E-03	GKS06 - 3A □□□ 090C22 MDFKA□□ 090-22 120
514	122	1.0	28.461	1023	9326	1023	9327	682	73	3.77E-03	GKS06 - 3A □□□ 090C22 MDFKA□□ 090-22 120
208	95	4.5	36.063	445	9324	651	9325	1290	94	1.19E-03	GKS07 - 3A □□□ 071C22 MDFKA□□ 071-22 120
336	59	3.3	57.501	710	9324	1038	9325	1310	59	1.00E-03	GKS07 - 3A □□□ 071C22 MDFKA□□ 071-22 120
381	53	2.7	64.790	800	9324	1169	9325	1195	53	1.00E-03	GKS07 - 3A □□□ 071C22 MDFKA□□ 071-22 120
414	48	2.7	70.474	870	9324	1272	9325	1320	48	9.59E-04	GKS07 - 3A □□□ 071C22 MDFKA□□ 071-22 120
469	43	2.2	79.407	981	9324	1433	9325	1205	43	9.58E-04	GKS07 - 3A □□□ 071C22 MDFKA□□ 071-22 120
548	37	2.1	92.563	1143	9324	1671	9325	1330	37	9.11E-04	GKS07 - 3A □□□ 071C22 MDFKA□□ 071-22 120
620	33	1.7	104.296	1288	9324	1823	9325	1215	33	9.10E-04	GKS07 - 3A □□□ 071C22 MDFKA□□ 071-22 120
666	30	1.9	112.338	1387	9324	1995	9325	1330	30	8.89E-04	GKS07 - 3A □□□ 071C22 MDFKA□□ 071-22 120
753	27	1.5	126.578	1563	9324	1823	9325	1215	27	8.89E-04	GKS07 - 3A □□□ 071C22 MDFKA□□ 071-22 120
836	24	1.5	140.548	1736	9324	1995	9325	1330	24	9.41E-04	GKS07 - 3A □□□ 071C22 MDFKA□□ 071-22 120
945	22	1.2	158.364	1823	9324	1823	9325	1215	22	9.41E-04	GKS07 - 3A □□□ 071C22 MDFKA□□ 071-22 120
1103	18	1.2	184.600	1995	9324	1995	9325	1330	18	8.99E-04	GKS07 - 3A □□□ 071C22 MDFKA□□ 071-22 120
125	144	4.6	11.378	320	9324	232	9324	613	144	2.62E-03	GKS07 - 3A □□□ 080C22 MDFKA□□ 080-22 60
189	95	4.9	17.270	486	9324	353	9324	998	95	2.65E-03	GKS07 - 3A □□□ 080C22 MDFKA□□ 080-22 60
279	65	4.0	25.244	710	9324	516	9324	1177	65	2.59E-03	GKS07 - 3A □□□ 080C22 MDFKA□□ 080-22 60
313	58	3.6	28.274	795	9324	577	9324	1202	58	2.48E-03	GKS07 - 3A □□□ 080C22 MDFKA□□ 080-22 60
355	51	3.1	31.858	896	9324	651	9324	1172	51	2.47E-03	GKS07 - 3A □□□ 080C22 MDFKA□□ 080-22 60

Observe the notes for thermal dimensioning.

Selection tables - Helical-bevel gearboxes

Forced ventilated asynchronous geared servo motors



M ₂ [Nm]	n _{2 trans} [rpm]	c	i	M _{2 max} short-time on geared motor at				M _{2 Gr} gearbox c=1 n ₁ ≤ 1400 rpm [Nm]	n _{2 therm} [rpm]	J _{GM} referred to motor shaft [kgm ²]	Helical-bevel geared servo motor Dimensions on Page 6-88
				8 kHz		16 kHz					
				M _{2 max} [Nm]	Type EVS	M _{2 max} [Nm]	Type EVS				
402	45	3.0	36.063	1014	9324	737	9324	1290	45	2.28E-03	GKS07 - 3A □□□ 080C22 MDFKA□□ 080-22 60
495	37	2.6	44.178	1242	9324	902	9324	1300	37	2.20E-03	GKS07 - 3A □□□ 080C22 MDFKA□□ 080-22 60
566	32	2.3	50.345	1416	9324	1028	9324	1300	32	2.45E-03	GKS07 - 3A □□□ 080C22 MDFKA□□ 080-22 60
649	28	2.0	57.501	1617	9324	1174	9324	1310	28	2.09E-03	GKS07 - 3A □□□ 080C22 MDFKA□□ 080-22 60
734	25	1.6	64.790	1793	9324	1323	9324	1195	25	2.09E-03	GKS07 - 3A □□□ 080C22 MDFKA□□ 080-22 60
798	23	1.6	70.474	1980	9324	1439	9324	1320	23	2.05E-03	GKS07 - 3A □□□ 080C22 MDFKA□□ 080-22 60
902	21	1.3	79.407	1808	9324	1622	9324	1205	21	2.05E-03	GKS07 - 3A □□□ 080C22 MDFKA□□ 080-22 60
1052	18	1.3	92.563	1995	9324	1890	9324	1330	18	2.00E-03	GKS07 - 3A □□□ 080C22 MDFKA□□ 080-22 60
1189	16	1.0	104.296	1823	9324	1823	9324	1215	16	2.00E-03	GKS07 - 3A □□□ 080C22 MDFKA□□ 080-22 60
1280	15	1.0	112.338	1995	9324	1995	9324	1330	15	1.98E-03	GKS07 - 3A □□□ 080C22 MDFKA□□ 080-22 60
113	304	4.0	11.378	317	9325	229	9325	613	248	2.62E-03	GKS07 - 3A □□□ 080C22 MDFKA□□ 080-22 120
171	200	4.3	17.270	481	9325	348	9325	998	159	2.65E-03	GKS07 - 3A □□□ 080C22 MDFKA□□ 080-22 120
252	137	3.4	25.244	703	9325	508	9325	1177	104	2.59E-03	GKS07 - 3A □□□ 080C22 MDFKA□□ 080-22 120
284	122	3.1	28.274	787	9325	569	9325	1202	95	2.48E-03	GKS07 - 3A □□□ 080C22 MDFKA□□ 080-22 120
321	108	2.7	31.858	887	9325	642	9325	1172	82	2.47E-03	GKS07 - 3A □□□ 080C22 MDFKA□□ 080-22 120
364	96	2.6	36.063	1004	9325	726	9325	1290	84	2.28E-03	GKS07 - 3A □□□ 080C22 MDFKA□□ 080-22 120
446	78	2.5	44.178	1230	9325	890	9325	1300	74	2.20E-03	GKS07 - 3A □□□ 080C22 MDFKA□□ 080-22 120
510	69	2.2	50.345	1401	9325	1014	9325	1300	47	2.45E-03	GKS07 - 3A □□□ 080C22 MDFKA□□ 080-22 120
584	60	1.9	57.501	1600	9325	1158	9325	1310	60	2.09E-03	GKS07 - 3A □□□ 080C22 MDFKA□□ 080-22 120
661	53	1.5	64.790	1793	9325	1305	9325	1195	52	2.09E-03	GKS07 - 3A □□□ 080C22 MDFKA□□ 080-22 120
719	49	1.6	70.474	1961	9325	1419	9325	1320	49	2.05E-03	GKS07 - 3A □□□ 080C22 MDFKA□□ 080-22 120
812	44	1.3	79.407	1808	9325	1599	9325	1205	44	2.05E-03	GKS07 - 3A □□□ 080C22 MDFKA□□ 080-22 120
948	37	1.2	92.563	1995	9325	1864	9325	1330	37	2.00E-03	GKS07 - 3A □□□ 080C22 MDFKA□□ 080-22 120
1151	31	1.1	112.338	1995	9325	1995	9325	1330	31	1.98E-03	GKS07 - 3A □□□ 080C22 MDFKA□□ 080-22 120
118	282	3.7	5.955	324	9325	238	9325	471	282	5.53E-03	GKS07 - 3A □□□ 090C22 MDFKA□□ 090-22 60
165	204	3.1	8.254	449	9325	329	9325	541	204	4.78E-03	GKS07 - 3A □□□ 090C22 MDFKA□□ 090-22 60
182	183	3.7	9.171	498	9325	366	9325	725	183	5.20E-03	GKS07 - 3A □□□ 090C22 MDFKA□□ 090-22 60
201	166	3.7	10.124	550	9325	404	9325	800	166	5.19E-03	GKS07 - 3A □□□ 090C22 MDFKA□□ 090-22 60
229	148	2.5	11.378	618	9325	454	9325	613	148	4.30E-03	GKS07 - 3A □□□ 090C22 MDFKA□□ 090-22 60
254	132	3.1	12.711	691	9325	507	9325	832	132	4.62E-03	GKS07 - 3A □□□ 090C22 MDFKA□□ 090-22 60
295	114	3.3	14.798	804	9325	590	9325	1040	114	5.03E-03	GKS07 - 3A □□□ 090C22 MDFKA□□ 090-22 60
333	101	3.0	16.674	906	9325	665	9325	1071	101	5.00E-03	GKS07 - 3A □□□ 090C22 MDFKA□□ 090-22 60
346	97	2.7	17.270	938	9325	689	9325	998	97	4.33E-03	GKS07 - 3A □□□ 090C22 MDFKA□□ 090-22 60
412	82	2.6	20.511	1114	9325	818	9325	1110	82	4.51E-03	GKS07 - 3A □□□ 090C22 MDFKA□□ 090-22 60

Observe the notes for thermal dimensioning.

Selection tables - Helical-bevel gearboxes

Forced ventilated asynchronous geared servo motors

M ₂ [Nm]	n _{2 trans} [rpm]	c	i	M _{2 max} short-time on geared motor at				M _{2 Gr} gearbox c=1 n ₁ ≤ 1400 rpm [Nm]	n _{2 therm} [rpm]	J _{GM} referred to motor shaft [kgm ²]	Helical-bevel geared servo motor Dimensions on Page 6-88
				8 kHz		16 kHz					
				M _{2 max} [Nm]	Type EVS	M _{2 max} [Nm]	Type EVS				
465	73	2.4	23.111	1256	9325	922	9325	1168	73	4.49E-03	GKS07 - 3A □□□ 090C22 MDFKA□□ 090-22 60
509	67	2.2	25.244	1372	9325	1007	9325	1177	67	4.27E-03	GKS07 - 3A □□□ 090C22 MDFKA□□ 090-22 60
571	59	2.0	28.274	1536	9325	1128	9325	1202	59	4.16E-03	GKS07 - 3A □□□ 090C22 MDFKA□□ 090-22 60
646	53	1.7	31.858	1731	9325	1271	9325	1172	53	4.15E-03	GKS07 - 3A □□□ 090C22 MDFKA□□ 090-22 60
731	47	1.7	36.063	1935	9325	1439	9325	1290	47	3.96E-03	GKS07 - 3A □□□ 090C22 MDFKA□□ 090-22 60
831	41	1.5	40.906	1935	9325	1632	9325	1290	41	4.29E-03	GKS07 - 3A □□□ 090C22 MDFKA□□ 090-22 60
898	38	1.4	44.178	1950	9325	1762	9325	1300	38	3.88E-03	GKS07 - 3A □□□ 090C22 MDFKA□□ 090-22 60
1025	33	1.3	50.345	1950	9325	1950	9325	1300	33	4.13E-03	GKS07 - 3A □□□ 090C22 MDFKA□□ 090-22 60
1173	29	1.1	57.501	1965	9325	1965	9325	1310	29	3.77E-03	GKS07 - 3A □□□ 090C22 MDFKA□□ 090-22 60
105	584	3.3	5.955	287	9326	252	9327	471	335	5.53E-03	GKS07 - 3A □□□ 090C22 MDFKA□□ 090-22 120
146	422	2.7	8.254	398	9326	350	9327	541	268	4.78E-03	GKS07 - 3A □□□ 090C22 MDFKA□□ 090-22 120
161	379	3.3	9.171	442	9326	389	9327	725	217	5.20E-03	GKS07 - 3A □□□ 090C22 MDFKA□□ 090-22 120
178	344	3.3	10.124	488	9326	429	9327	800	197	5.19E-03	GKS07 - 3A □□□ 090C22 MDFKA□□ 090-22 120
203	306	2.3	11.378	548	9326	482	9327	613	220	4.30E-03	GKS07 - 3A □□□ 090C22 MDFKA□□ 090-22 120
225	274	2.7	12.711	612	9326	539	9327	832	174	4.62E-03	GKS07 - 3A □□□ 090C22 MDFKA□□ 090-22 120
262	235	2.9	14.798	713	9326	627	9327	1040	131	5.03E-03	GKS07 - 3A □□□ 090C22 MDFKA□□ 090-22 120
296	209	2.7	16.674	803	9326	706	9327	1071	114	5.00E-03	GKS07 - 3A □□□ 090C22 MDFKA□□ 090-22 120
307	202	2.4	17.270	832	9326	732	9327	998	141	4.33E-03	GKS07 - 3A □□□ 090C22 MDFKA□□ 090-22 120
365	170	2.3	20.511	988	9326	869	9327	1110	103	4.51E-03	GKS07 - 3A □□□ 090C22 MDFKA□□ 090-22 120
412	151	2.1	23.111	1113	9326	979	9327	1168	90	4.49E-03	GKS07 - 3A □□□ 090C22 MDFKA□□ 090-22 120
451	138	2.0	25.244	1216	9326	1070	9327	1177	91	4.27E-03	GKS07 - 3A □□□ 090C22 MDFKA□□ 090-22 120
506	123	1.8	28.274	1362	9326	1198	9327	1202	81	4.16E-03	GKS07 - 3A □□□ 090C22 MDFKA□□ 090-22 120
572	109	1.5	31.858	1534	9326	1350	9327	1172	66	4.15E-03	GKS07 - 3A □□□ 090C22 MDFKA□□ 090-22 120
647	97	1.5	36.063	1737	9326	1528	9327	1290	67	3.96E-03	GKS07 - 3A □□□ 090C22 MDFKA□□ 090-22 120
736	85	1.3	40.906	1935	9326	1733	9327	1290	40	4.29E-03	GKS07 - 3A □□□ 090C22 MDFKA□□ 090-22 120
794	79	1.4	44.178	1950	9326	1872	9327	1300	60	3.88E-03	GKS07 - 3A □□□ 090C22 MDFKA□□ 090-22 120
906	69	1.2	50.345	1950	9326	1950	9327	1300	35	4.13E-03	GKS07 - 3A □□□ 090C22 MDFKA□□ 090-22 120
1037	61	1.1	57.501	1965	9326	1965	9327	1310	49	3.77E-03	GKS07 - 3A □□□ 090C22 MDFKA□□ 090-22 120
203	285	2.2	5.955	283	9325	342	9326	471	285	9.13E-03	GKS07 - 3A □□□ 100C22 MDFKA□□ 100-22 60
282	206	1.8	8.254	393	9325	474	9326	541	206	8.38E-03	GKS07 - 3A □□□ 100C22 MDFKA□□ 100-22 60
312	185	2.2	9.171	436	9325	527	9326	725	185	8.80E-03	GKS07 - 3A □□□ 100C22 MDFKA□□ 100-22 60
345	168	2.2	10.124	482	9325	582	9326	800	168	8.79E-03	GKS07 - 3A □□□ 100C22 MDFKA□□ 100-22 60
390	149	1.5	11.378	541	9325	654	9326	613	149	7.90E-03	GKS07 - 3A □□□ 100C22 MDFKA□□ 100-22 60
434	134	1.8	12.711	605	9325	731	9326	832	134	8.22E-03	GKS07 - 3A □□□ 100C22 MDFKA□□ 100-22 60

Observe the notes for thermal dimensioning.

Selection tables - Helical-bevel gearboxes

Forced ventilated asynchronous geared servo motors



M ₂ [Nm]	n ₂ trans [rpm]	c	i	M ₂ max short-time on geared motor at				M ₂ Gr gearbox c=1 n ₁ ≤ 1400 rpm [Nm]	n ₂ therm [rpm]	J _{GM} referred to motor shaft [kgm ²]	Helical-bevel geared servo motor Dimensions on Page 6-88
				8 kHz		16 kHz					
				M ₂ max [Nm]	Type EVS	M ₂ max [Nm]	Type EVS				
505	115	2.0	14.798	704	9325	850	9326	1040	115	8.63E-03	GKS07 - 3A □□□ 100C22 MDFKA□□ 100-22 60
570	102	1.8	16.674	794	9325	958	9326	1071	99	8.60E-03	GKS07 - 3A □□□ 100C22 MDFKA□□ 100-22 60
592	98	1.6	17.270	822	9325	992	9326	998	98	7.93E-03	GKS07 - 3A □□□ 100C22 MDFKA□□ 100-22 60
703	83	1.5	20.511	976	9325	1179	9326	1110	83	8.11E-03	GKS07 - 3A □□□ 100C22 MDFKA□□ 100-22 60
793	74	1.4	23.111	1100	9325	1328	9326	1168	73	8.09E-03	GKS07 - 3A □□□ 100C22 MDFKA□□ 100-22 60
868	67	1.3	25.244	1201	9325	1451	9326	1177	67	7.87E-03	GKS07 - 3A □□□ 100C22 MDFKA□□ 100-22 60
973	60	1.2	28.274	1346	9325	1625	9326	1202	60	7.76E-03	GKS07 - 3A □□□ 100C22 MDFKA□□ 100-22 60
1098	53	1.0	31.858	1516	9325	1758	9326	1172	53	7.75E-03	GKS07 - 3A □□□ 100C22 MDFKA□□ 100-22 60
202	589	1.7	5.955	382	9327	362	9328	471	273	9.13E-03	GKS07 - 3A □□□ 100C22 MDFKA□□ 100-22 120
281	425	1.4	8.254	530	9327	502	9328	541	206	8.38E-03	GKS07 - 3A □□□ 100C22 MDFKA□□ 100-22 120
311	383	1.7	9.171	589	9327	558	9328	725	177	8.80E-03	GKS07 - 3A □□□ 100C22 MDFKA□□ 100-22 120
343	347	1.7	10.124	650	9327	615	9328	800	160	8.79E-03	GKS07 - 3A □□□ 100C22 MDFKA□□ 100-22 120
388	309	1.2	11.378	731	9327	692	9328	613	162	7.90E-03	GKS07 - 3A □□□ 100C22 MDFKA□□ 100-22 120
433	276	1.4	12.711	816	9327	773	9328	832	134	8.22E-03	GKS07 - 3A □□□ 100C22 MDFKA□□ 100-22 120
503	237	1.5	14.798	950	9327	900	9328	1040	102	8.63E-03	GKS07 - 3A □□□ 100C22 MDFKA□□ 100-22 120
568	211	1.4	16.674	1071	9327	1014	9328	1071	86	8.60E-03	GKS07 - 3A □□□ 100C22 MDFKA□□ 100-22 120
589	203	1.3	17.270	1109	9327	1050	9328	998	104	7.93E-03	GKS07 - 3A □□□ 100C22 MDFKA□□ 100-22 120
700	171	1.2	20.511	1317	9327	1247	9328	1110	75	8.11E-03	GKS07 - 3A □□□ 100C22 MDFKA□□ 100-22 120
789	152	1.1	23.111	1484	9327	1405	9328	1168	65	8.09E-03	GKS07 - 3A □□□ 100C22 MDFKA□□ 100-22 120
863	139	1.0	25.244	1621	9327	1535	9328	1177	64	7.87E-03	GKS07 - 3A □□□ 100C22 MDFKA□□ 100-22 120
346	287	1.3	5.955	589	9326	706	9328	471	230	1.99E-02	GKS07 - 3A □□□ 112C22 MDFKA□□ 112-22 60
481	207	1.1	8.254	811	9326	811	9328	541	178	1.92E-02	GKS07 - 3A □□□ 112C22 MDFKA□□ 112-22 60
533	186	1.3	9.171	907	9326	1087	9328	725	150	1.96E-02	GKS07 - 3A □□□ 112C22 MDFKA□□ 112-22 60
589	169	1.3	10.124	1001	9326	1200	9328	800	135	1.96E-02	GKS07 - 3A □□□ 112C22 MDFKA□□ 112-22 60
741	135	1.1	12.711	1249	9326	1249	9328	832	116	1.90E-02	GKS07 - 3A □□□ 112C22 MDFKA□□ 112-22 60
862	116	1.2	14.798	1463	9326	1560	9328	1040	87	1.94E-02	GKS07 - 3A □□□ 112C22 MDFKA□□ 112-22 60
972	103	1.1	16.674	1607	9326	1607	9328	1071	74	1.94E-02	GKS07 - 3A □□□ 112C22 MDFKA□□ 112-22 60
311	591	1.1	5.955	609	9328	706	9330	471	215	1.99E-02	GKS07 - 3A □□□ 112C22 MDFKA□□ 112-22 120
478	384	1.1	9.171	938	9328	1087	9330	725	140	1.96E-02	GKS07 - 3A □□□ 112C22 MDFKA□□ 112-22 120
528	348	1.1	10.124	1036	9328	1200	9330	800	127	1.96E-02	GKS07 - 3A □□□ 112C22 MDFKA□□ 112-22 120
773	238	1.0	14.798	1514	9328	1560	9330	1040	82	1.94E-02	GKS07 - 3A □□□ 112C22 MDFKA□□ 112-22 120
601	33	1.8	103.039	1251	9324	1828	9325	1290	33	9.14E-04	GKS07 - 4A □□□ 071C22 MDFKA□□ 071-22 120
657	30	1.5	112.391	1364	9324	1580	9325	1053	30	8.93E-04	GKS07 - 4A □□□ 071C22 MDFKA□□ 071-22 120
737	27	1.7	126.222	1532	9324	1950	9325	1300	27	9.03E-04	GKS07 - 4A □□□ 071C22 MDFKA□□ 071-22 120

Observe the notes for thermal dimensioning.

Selection tables - Helical-bevel gearboxes

Forced ventilated asynchronous geared servo motors

M ₂ [Nm]	n _{2 trans} [rpm]	c	i	M _{2 max} short-time on geared motor at				M _{2 Gr} gearbox c=1 n ₁ ≤ 1400 rpm [Nm]	n _{2 therm} [rpm]	J _{GM} referred to motor shaft [kgm ²]	Helical-bevel geared servo motor Dimensions on Page 6-88
				8 kHz		16 kHz					
				M _{2 max} [Nm]	Type EVS	M _{2 max} [Nm]	Type EVS				
808	25	1.2	137.748	1580	9324	1580	9325	1053	25	8.87E-04	GKS07 - 4A □□□ 071C22 MDFKA□□ 071-22 120
906	22	1.4	154.622	1877	9324	1950	9325	1300	22	8.83E-04	GKS07 - 4A □□□ 071C22 MDFKA□□ 071-22 120
1183	17	1.1	201.254	1965	9324	1965	9325	1310	17	8.75E-04	GKS07 - 4A □□□ 071C22 MDFKA□□ 071-22 120
1153	16	1.1	103.039	1935	9324	1935	9324	1290	16	2.00E-03	GKS07 - 4A □□□ 080C22 MDFKA□□ 080-22 60
1038	34	1.1	103.039	1935	9325	1935	9325	1290	34	2.00E-03	GKS07 - 4A □□□ 080C22 MDFKA□□ 080-22 120
642	28	4.5	58.456	1644	9324	1194	9324	2977	28	2.47E-03	GKS09 - 3A □□□ 080C22 MDFKA□□ 080-22 60
727	25	4.1	65.879	1852	9324	1345	9324	3048	25	2.47E-03	GKS09 - 3A □□□ 080C22 MDFKA□□ 080-22 60
786	23	3.7	70.982	1996	9324	1450	9324	3031	23	2.33E-03	GKS09 - 3A □□□ 080C22 MDFKA□□ 080-22 60
889	20	3.4	79.996	2249	9324	1634	9324	3071	20	2.33E-03	GKS09 - 3A □□□ 080C22 MDFKA□□ 080-22 60
1026	18	2.9	91.860	2583	9324	1876	9324	3031	18	2.18E-03	GKS09 - 3A □□□ 080C22 MDFKA□□ 080-22 60
1160	16	2.6	103.524	2911	9324	2114	9324	3080	16	2.18E-03	GKS09 - 3A □□□ 080C22 MDFKA□□ 080-22 60
1252	15	2.4	111.484	3135	9324	2277	9324	3031	15	2.11E-03	GKS09 - 3A □□□ 080C22 MDFKA□□ 080-22 60
1415	13	2.2	125.641	3533	9324	2566	9324	3080	13	2.11E-03	GKS09 - 3A □□□ 080C22 MDFKA□□ 080-22 60
1592	12	1.9	140.921	3962	9324	2878	9324	2973	12	2.05E-03	GKS09 - 3A □□□ 080C22 MDFKA□□ 080-22 60
1797	10	1.7	158.816	4465	9324	3243	9324	3080	10	2.05E-03	GKS09 - 3A □□□ 080C22 MDFKA□□ 080-22 60
2064	9.0	1.5	182.000	4547	9324	3717	9324	3031	9.0	2.15E-03	GKS09 - 3A □□□ 080C22 MDFKA□□ 080-22 60
2330	8.0	1.3	205.111	4620	9324	4189	9324	3080	8.0	2.14E-03	GKS09 - 3A □□□ 080C22 MDFKA□□ 080-22 60
2512	7.4	1.2	220.882	4547	9324	4511	9324	3031	7.4	2.09E-03	GKS09 - 3A □□□ 080C22 MDFKA□□ 080-22 60
2835	6.6	1.1	248.930	4620	9324	4620	9324	3080	6.6	2.09E-03	GKS09 - 3A □□□ 080C22 MDFKA□□ 080-22 60
344	98	5.6	35.193	980	9325	709	9325	2670	83	3.14E-03	GKS09 - 3A □□□ 080C22 MDFKA□□ 080-22 120
387	87	5.6	39.662	1104	9325	799	9325	3002	73	3.12E-03	GKS09 - 3A □□□ 080C22 MDFKA□□ 080-22 120
579	59	4.3	58.456	1627	9325	1177	9325	2977	59	2.47E-03	GKS09 - 3A □□□ 080C22 MDFKA□□ 080-22 120
655	52	3.9	65.879	1834	9325	1327	9325	3048	52	2.47E-03	GKS09 - 3A □□□ 080C22 MDFKA□□ 080-22 120
708	49	3.6	70.982	1976	9325	1429	9325	3031	49	2.33E-03	GKS09 - 3A □□□ 080C22 MDFKA□□ 080-22 120
801	43	3.2	79.996	2226	9325	1611	9325	3071	43	2.33E-03	GKS09 - 3A □□□ 080C22 MDFKA□□ 080-22 120
925	38	2.8	91.860	2557	9325	1850	9325	3031	38	2.18E-03	GKS09 - 3A □□□ 080C22 MDFKA□□ 080-22 120
1045	33	2.5	103.524	2881	9325	2085	9325	3080	33	2.18E-03	GKS09 - 3A □□□ 080C22 MDFKA□□ 080-22 120
1125	31	2.5	111.484	3103	9325	2245	9325	3031	31	2.11E-03	GKS09 - 3A □□□ 080C22 MDFKA□□ 080-22 120
1272	28	2.3	125.641	3497	9325	2530	9325	3080	28	2.11E-03	GKS09 - 3A □□□ 080C22 MDFKA□□ 080-22 120
1431	25	2.0	140.921	3922	9325	2838	9325	2973	25	2.05E-03	GKS09 - 3A □□□ 080C22 MDFKA□□ 080-22 120
1615	22	1.8	158.816	4420	9325	3198	9325	3080	22	2.05E-03	GKS09 - 3A □□□ 080C22 MDFKA□□ 080-22 120
1856	19	1.5	182.000	4547	9325	3665	9325	3031	19	2.15E-03	GKS09 - 3A □□□ 080C22 MDFKA□□ 080-22 120
2095	17	1.4	205.111	4620	9325	4130	9325	3080	17	2.14E-03	GKS09 - 3A □□□ 080C22 MDFKA□□ 080-22 120
2259	16	1.3	220.882	4547	9325	4448	9325	3031	16	2.09E-03	GKS09 - 3A □□□ 080C22 MDFKA□□ 080-22 120

Observe the notes for thermal dimensioning.

Selection tables - Helical-bevel gearboxes

Forced ventilated asynchronous geared servo motors



M ₂ [Nm]	n ₂ trans [rpm]	c	i	M ₂ max short-time on geared motor at				M ₂ Gr gearbox c=1 n ₁ ≤ 1400 rpm [Nm]	n ₂ therm [rpm]	J _{GM} referred to motor shaft [kgm ²]	Helical-bevel geared servo motor Dimensions on Page 6-88
				8 kHz		16 kHz					
				M ₂ max [Nm]	Type EVS	M ₂ max [Nm]	Type EVS				
2550	14	1.2	248.930	4620	9325	4620	9325	3080	14	2.09E-03	GKS09 - 3A □□□ 080C22 MDFKA□□ 080-22 120
2864	12	1.0	279.205	4547	9325	4547	9325	3031	12	2.03E-03	GKS09 - 3A □□□ 080C22 MDFKA□□ 080-22 120
314	104	5.3	16.122	876	9325	643	9325	1801	104	5.86E-03	GKS09 - 3A □□□ 090C22 MDFKA□□ 090-22 60
342	96	5.3	17.536	953	9325	700	9325	1958	96	5.82E-03	GKS09 - 3A □□□ 090C22 MDFKA□□ 090-22 60
500	66	5.3	25.649	1394	9325	1023	9325	2862	66	5.65E-03	GKS09 - 3A □□□ 090C22 MDFKA□□ 090-22 60
574	57	4.7	29.228	1588	9325	1166	9325	2914	57	5.19E-03	GKS09 - 3A □□□ 090C22 MDFKA□□ 090-22 60
650	51	4.3	32.940	1790	9325	1314	9325	2984	51	5.16E-03	GKS09 - 3A □□□ 090C22 MDFKA□□ 090-22 60
696	48	4.1	35.193	1912	9325	1404	9325	3029	48	4.82E-03	GKS09 - 3A □□□ 090C22 MDFKA□□ 090-22 60
788	42	3.6	39.662	2155	9325	1582	9325	3002	42	4.80E-03	GKS09 - 3A □□□ 090C22 MDFKA□□ 090-22 60
859	39	3.4	43.146	2344	9325	1721	9325	3024	39	4.50E-03	GKS09 - 3A □□□ 090C22 MDFKA□□ 090-22 60
972	35	3.0	48.625	2642	9325	1940	9325	3017	35	4.49E-03	GKS09 - 3A □□□ 090C22 MDFKA□□ 090-22 60
1174	29	2.5	58.456	3176	9325	2332	9325	3031	29	4.15E-03	GKS09 - 3A □□□ 090C22 MDFKA□□ 090-22 60
1327	26	2.3	65.879	3579	9325	2628	9325	3048	26	4.15E-03	GKS09 - 3A □□□ 090C22 MDFKA□□ 090-22 60
1433	24	2.1	70.982	3857	9325	2832	9325	3031	24	4.01E-03	GKS09 - 3A □□□ 090C22 MDFKA□□ 090-22 60
1619	21	1.9	79.996	4346	9325	3191	9325	3071	21	4.01E-03	GKS09 - 3A □□□ 090C22 MDFKA□□ 090-22 60
1864	18	1.6	91.860	4547	9325	3665	9325	3031	18	3.86E-03	GKS09 - 3A □□□ 090C22 MDFKA□□ 090-22 60
2104	16	1.5	103.524	4620	9325	4130	9325	3080	16	3.86E-03	GKS09 - 3A □□□ 090C22 MDFKA□□ 090-22 60
2269	15	1.3	111.484	4547	9325	4448	9325	3031	15	3.79E-03	GKS09 - 3A □□□ 090C22 MDFKA□□ 090-22 60
2560	13	1.2	125.641	4620	9325	4620	9325	3080	13	3.79E-03	GKS09 - 3A □□□ 090C22 MDFKA□□ 090-22 60
280	216	4.7	16.122	776	9326	683	9327	1801	141	5.86E-03	GKS09 - 3A □□□ 090C22 MDFKA□□ 090-22 120
304	198	4.7	17.536	845	9326	743	9327	1958	129	5.82E-03	GKS09 - 3A □□□ 090C22 MDFKA□□ 090-22 120
445	136	4.7	25.649	1235	9326	1087	9327	2862	88	5.65E-03	GKS09 - 3A □□□ 090C22 MDFKA□□ 090-22 120
510	119	4.2	29.228	1408	9326	1238	9327	2914	83	5.19E-03	GKS09 - 3A □□□ 090C22 MDFKA□□ 090-22 120
577	106	3.8	32.940	1586	9326	1395	9327	2984	72	5.16E-03	GKS09 - 3A □□□ 090C22 MDFKA□□ 090-22 120
618	99	3.6	35.193	1695	9326	1491	9327	3029	75	4.82E-03	GKS09 - 3A □□□ 090C22 MDFKA□□ 090-22 120
699	88	3.2	39.662	1910	9326	1680	9327	3002	65	4.80E-03	GKS09 - 3A □□□ 090C22 MDFKA□□ 090-22 120
760	81	3.3	43.146	2078	9326	1828	9327	3024	66	4.50E-03	GKS09 - 3A □□□ 090C22 MDFKA□□ 090-22 120
860	72	3.0	48.625	2342	9326	2060	9327	3017	57	4.49E-03	GKS09 - 3A □□□ 090C22 MDFKA□□ 090-22 120
1039	60	2.5	58.456	2815	9326	2476	9327	3031	53	4.15E-03	GKS09 - 3A □□□ 090C22 MDFKA□□ 090-22 120
1174	53	2.2	65.879	3173	9326	2791	9327	3048	47	4.15E-03	GKS09 - 3A □□□ 090C22 MDFKA□□ 090-22 120
1267	49	2.0	70.982	3418	9326	3007	9327	3031	44	4.01E-03	GKS09 - 3A □□□ 090C22 MDFKA□□ 090-22 120
1431	44	1.8	79.996	3853	9326	3389	9327	3071	39	4.01E-03	GKS09 - 3A □□□ 090C22 MDFKA□□ 090-22 120
1648	38	1.6	91.860	4424	9326	3892	9327	3031	34	3.86E-03	GKS09 - 3A □□□ 090C22 MDFKA□□ 090-22 120
1860	34	1.4	103.524	4620	9326	4386	9327	3080	30	3.86E-03	GKS09 - 3A □□□ 090C22 MDFKA□□ 090-22 120

Observe the notes for thermal dimensioning.

Selection tables - Helical-bevel gearboxes

Forced ventilated asynchronous geared servo motors

M ₂ [Nm]	n ₂ trans [rpm]	c	i	M ₂ max short-time on geared motor at				M ₂ Gr gearbox c=1 n ₁ ≤ 1400 rpm [Nm]	n ₂ therm [rpm]	J _{GM} referred to motor shaft [kgm ²]	Helical-bevel geared servo motor Dimensions on Page 6-88
				8 kHz		16 kHz					
				M ₂ max [Nm]	Type EVS	M ₂ max [Nm]	Type EVS				
2003	31	1.4	111.484	4547	9326	4547	9327	3031	28	3.79E-03	GKS09 - 3A □□□ 090C22 MDFKA□□ 090-22 120
2261	28	1.3	125.641	4620	9326	4620	9327	3080	25	3.79E-03	GKS09 - 3A □□□ 090C22 MDFKA□□ 090-22 120
412	138	3.7	12.283	585	9325	706	9326	1615	138	1.06E-02	GKS09 - 3A □□□ 100C22 MDFKA□□ 100-22 60
448	127	3.7	13.360	636	9325	768	9326	1757	127	1.05E-02	GKS09 - 3A □□□ 100C22 MDFKA□□ 100-22 60
544	105	3.1	16.122	767	9325	927	9326	1801	105	9.46E-03	GKS09 - 3A □□□ 100C22 MDFKA□□ 100-22 60
591	97	3.1	17.536	835	9325	1008	9326	1958	97	9.42E-03	GKS09 - 3A □□□ 100C22 MDFKA□□ 100-22 60
655	87	3.7	19.541	930	9325	1123	9326	2570	87	1.03E-02	GKS09 - 3A □□□ 100C22 MDFKA□□ 100-22 60
740	77	3.4	22.022	1048	9325	1266	9326	2672	77	1.02E-02	GKS09 - 3A □□□ 100C22 MDFKA□□ 100-22 60
865	66	3.1	25.649	1221	9325	1474	9326	2862	66	9.25E-03	GKS09 - 3A □□□ 100C22 MDFKA□□ 100-22 60
989	58	2.8	29.228	1391	9325	1680	9326	2914	58	8.79E-03	GKS09 - 3A □□□ 100C22 MDFKA□□ 100-22 60
1118	52	2.5	32.940	1568	9325	1893	9326	2984	52	8.76E-03	GKS09 - 3A □□□ 100C22 MDFKA□□ 100-22 60
1196	48	2.4	35.193	1675	9325	2022	9326	3029	48	8.42E-03	GKS09 - 3A □□□ 100C22 MDFKA□□ 100-22 60
1352	43	2.1	39.662	1887	9325	2279	9326	3002	43	8.40E-03	GKS09 - 3A □□□ 100C22 MDFKA□□ 100-22 60
1472	39	2.0	43.146	2053	9325	2480	9326	3024	39	8.10E-03	GKS09 - 3A □□□ 100C22 MDFKA□□ 100-22 60
1662	35	1.8	48.625	2314	9325	2794	9326	3017	35	8.09E-03	GKS09 - 3A □□□ 100C22 MDFKA□□ 100-22 60
2005	29	1.5	58.456	2782	9325	3359	9326	3031	29	7.75E-03	GKS09 - 3A □□□ 100C22 MDFKA□□ 100-22 60
2263	26	1.3	65.879	3135	9325	3786	9326	3048	26	7.75E-03	GKS09 - 3A □□□ 100C22 MDFKA□□ 100-22 60
2441	24	1.2	70.982	3378	9325	4079	9326	3031	24	7.61E-03	GKS09 - 3A □□□ 100C22 MDFKA□□ 100-22 60
2755	21	1.1	79.996	3807	9325	4597	9326	3071	21	7.61E-03	GKS09 - 3A □□□ 100C22 MDFKA□□ 100-22 60
412	286	2.9	12.283	789	9327	747	9328	1615	146	1.06E-02	GKS09 - 3A □□□ 100C22 MDFKA□□ 100-22 120
448	263	2.9	13.360	858	9327	812	9328	1757	134	1.05E-02	GKS09 - 3A □□□ 100C22 MDFKA□□ 100-22 120
543	218	2.5	16.122	1035	9327	980	9328	1801	122	9.46E-03	GKS09 - 3A □□□ 100C22 MDFKA□□ 100-22 120
590	200	2.5	17.536	1126	9327	1066	9328	1958	112	9.42E-03	GKS09 - 3A □□□ 100C22 MDFKA□□ 100-22 120
655	180	2.9	19.541	1255	9327	1188	9328	2570	91	1.03E-02	GKS09 - 3A □□□ 100C22 MDFKA□□ 100-22 120
740	159	2.7	22.022	1414	9327	1339	9328	2672	80	1.02E-02	GKS09 - 3A □□□ 100C22 MDFKA□□ 100-22 120
864	137	2.5	25.649	1647	9327	1559	9328	2862	77	9.25E-03	GKS09 - 3A □□□ 100C22 MDFKA□□ 100-22 120
987	120	2.2	29.228	1877	9327	1777	9328	2914	72	8.79E-03	GKS09 - 3A □□□ 100C22 MDFKA□□ 100-22 120
1115	107	2.0	32.940	2115	9327	2002	9328	2984	62	8.76E-03	GKS09 - 3A □□□ 100C22 MDFKA□□ 100-22 120
1192	100	1.9	35.193	2260	9327	2139	9328	3029	64	8.42E-03	GKS09 - 3A □□□ 100C22 MDFKA□□ 100-22 120
1347	89	1.7	39.662	2547	9327	2411	9328	3002	53	8.40E-03	GKS09 - 3A □□□ 100C22 MDFKA□□ 100-22 120
1464	81	1.8	43.146	2770	9327	2623	9328	3024	55	8.10E-03	GKS09 - 3A □□□ 100C22 MDFKA□□ 100-22 120
1653	72	1.6	48.625	3122	9327	2956	9328	3017	46	8.09E-03	GKS09 - 3A □□□ 100C22 MDFKA□□ 100-22 120
1993	60	1.3	58.456	3754	9327	3554	9328	3031	42	7.75E-03	GKS09 - 3A □□□ 100C22 MDFKA□□ 100-22 120
2249	53	1.2	65.879	4230	9327	4005	9328	3048	36	7.75E-03	GKS09 - 3A □□□ 100C22 MDFKA□□ 100-22 120

Observe the notes for thermal dimensioning.

Selection tables - Helical-bevel gearboxes

Forced ventilated asynchronous geared servo motors



M ₂ [Nm]	n ₂ trans [rpm]	c	i	M ₂ max short-time on geared motor at				M ₂ Gr gearbox c=1 n ₁ ≤ 1400 rpm [Nm]	n ₂ therm [rpm]	J _{GM} referred to motor shaft [kgm ²]	Helical-bevel geared servo motor Dimensions on Page 6-88
				8 kHz		16 kHz					
				M ₂ max [Nm]	Type EVS	M ₂ max [Nm]	Type EVS				
2425	49	1.1	70.982	4547	9327	4315	9328	3031	35	7.61E-03	GKS09 - 3A □□□ 100C22 MDFKA□□ 100-22 120
708	139	2.2	12.283	1215	9326	1597	9328	1615	135	2.14E-02	GKS09 - 3A □□□ 112C22 MDFKA□□ 112-22 60
770	128	2.2	13.360	1321	9326	1737	9328	1757	124	2.13E-02	GKS09 - 3A □□□ 112C22 MDFKA□□ 112-22 60
932	106	1.8	16.122	1594	9326	2097	9328	1801	106	2.03E-02	GKS09 - 3A □□□ 112C22 MDFKA□□ 112-22 60
1014	98	1.8	17.536	1734	9326	2280	9328	1958	98	2.02E-02	GKS09 - 3A □□□ 112C22 MDFKA□□ 112-22 60
1126	88	2.2	19.541	1932	9326	2541	9328	2570	85	2.11E-02	GKS09 - 3A □□□ 112C22 MDFKA□□ 112-22 60
1271	78	2.0	22.022	2178	9326	2864	9328	2672	74	2.10E-02	GKS09 - 3A □□□ 112C22 MDFKA□□ 112-22 60
1483	67	1.8	25.649	2536	9326	3335	9328	2862	67	2.01E-02	GKS09 - 3A □□□ 112C22 MDFKA□□ 112-22 60
1693	59	1.6	29.228	2890	9326	3801	9328	2914	59	1.96E-02	GKS09 - 3A □□□ 112C22 MDFKA□□ 112-22 60
1911	52	1.5	32.940	3257	9326	4283	9328	2984	52	1.96E-02	GKS09 - 3A □□□ 112C22 MDFKA□□ 112-22 60
2044	49	1.4	35.193	3480	9326	4544	9328	3029	49	1.92E-02	GKS09 - 3A □□□ 112C22 MDFKA□□ 112-22 60
2307	43	1.2	39.662	3922	9326	4503	9328	3002	43	1.92E-02	GKS09 - 3A □□□ 112C22 MDFKA□□ 112-22 60
2511	40	1.2	43.146	4266	9326	4536	9328	3024	40	1.89E-02	GKS09 - 3A □□□ 112C22 MDFKA□□ 112-22 60
2834	35	1.1	48.625	4526	9326	4526	9328	3017	35	1.89E-02	GKS09 - 3A □□□ 112C22 MDFKA□□ 112-22 60
636	287	1.9	12.283	1257	9328	1559	9330	1615	129	2.14E-02	GKS09 - 3A □□□ 112C22 MDFKA□□ 112-22 120
691	263	1.9	13.360	1367	9328	1695	9330	1757	119	2.13E-02	GKS09 - 3A □□□ 112C22 MDFKA□□ 112-22 120
837	218	1.6	16.122	1649	9328	2046	9330	1801	103	2.03E-02	GKS09 - 3A □□□ 112C22 MDFKA□□ 112-22 120
910	201	1.6	17.536	1794	9328	2225	9330	1958	95	2.02E-02	GKS09 - 3A □□□ 112C22 MDFKA□□ 112-22 120
1011	180	1.9	19.541	1999	9328	2480	9330	2570	81	2.11E-02	GKS09 - 3A □□□ 112C22 MDFKA□□ 112-22 120
1141	160	1.7	22.022	2253	9328	2795	9330	2672	69	2.10E-02	GKS09 - 3A □□□ 112C22 MDFKA□□ 112-22 120
1331	137	1.6	25.649	2624	9328	3255	9330	2862	65	2.01E-02	GKS09 - 3A □□□ 112C22 MDFKA□□ 112-22 120
1520	120	1.4	29.228	2990	9328	3709	9330	2914	58	1.96E-02	GKS09 - 3A □□□ 112C22 MDFKA□□ 112-22 120
1715	107	1.3	32.940	3370	9328	4180	9330	2984	49	1.96E-02	GKS09 - 3A □□□ 112C22 MDFKA□□ 112-22 120
1834	100	1.2	35.193	3600	9328	4466	9330	3029	50	1.92E-02	GKS09 - 3A □□□ 112C22 MDFKA□□ 112-22 120
2070	89	1.1	39.662	4057	9328	4503	9330	3002	42	1.92E-02	GKS09 - 3A □□□ 112C22 MDFKA□□ 112-22 120
2251	82	1.1	43.146	4414	9328	4536	9330	3024	45	1.89E-02	GKS09 - 3A □□□ 112C22 MDFKA□□ 112-22 120
2540	72	1.0	48.625	4526	9328	4526	9330	3017	38	1.89E-02	GKS09 - 3A □□□ 112C22 MDFKA□□ 112-22 120
570	34	4.4	100.551	1221	9324	1784	9325	3029	34	1.08E-03	GKS09 - 4A □□□ 071C22 MDFKA□□ 071-22 120
643	30	4.3	113.320	1376	9324	2010	9325	3002	30	1.08E-03	GKS09 - 4A □□□ 071C22 MDFKA□□ 071-22 120
702	28	4.0	123.275	1496	9324	2187	9325	3024	28	1.04E-03	GKS09 - 4A □□□ 071C22 MDFKA□□ 071-22 120
795	25	3.5	138.929	1686	9324	2465	9325	3017	25	1.04E-03	GKS09 - 4A □□□ 071C22 MDFKA□□ 071-22 120
867	23	3.3	151.012	1833	9324	2679	9325	3024	23	9.82E-04	GKS09 - 4A □□□ 071C22 MDFKA□□ 071-22 120
981	20	2.9	170.188	2066	9324	3019	9325	3017	20	9.81E-04	GKS09 - 4A □□□ 071C22 MDFKA□□ 071-22 120
1185	17	2.4	204.596	2484	9324	3630	9325	3031	17	9.54E-04	GKS09 - 4A □□□ 071C22 MDFKA□□ 071-22 120

Observe the notes for thermal dimensioning.

Selection tables - Helical-bevel gearboxes

Forced ventilated asynchronous geared servo motors

M ₂ [Nm]	n ₂ trans [rpm]	c	i	M ₂ max short-time on geared motor at				M ₂ Gr gearbox c=1 n ₁ ≤ 1400 rpm [Nm]	n ₂ therm [rpm]	J _{GM} referred to motor shaft [kgm ²]	Helical-bevel geared servo motor Dimensions on Page 6-88
				8 kHz		16 kHz					
				M ₂ max [Nm]	Type EVS	M ₂ max [Nm]	Type EVS				
1340	15	2.2	230.577	2799	9324	4091	9325	3048	15	9.54E-04	GKS09 - 4A □□□ 071C22 MDFKA□□ 071-22 120
1446	14	2.0	248.439	3016	9324	4407	9325	3031	14	9.43E-04	GKS09 - 4A □□□ 071C22 MDFKA□□ 071-22 120
1633	12	1.8	279.986	3399	9324	4607	9325	3071	12	9.42E-04	GKS09 - 4A □□□ 071C22 MDFKA□□ 071-22 120
1891	11	1.5	323.365	3925	9324	4547	9325	3031	11	9.01E-04	GKS09 - 4A □□□ 071C22 MDFKA□□ 071-22 120
2135	9.4	1.4	364.427	4424	9324	4607	9325	3071	9.4	9.01E-04	GKS09 - 4A □□□ 071C22 MDFKA□□ 071-22 120
2360	8.5	1.2	402.234	4547	9324	4547	9325	3031	8.5	8.81E-04	GKS09 - 4A □□□ 071C22 MDFKA□□ 071-22 120
2664	7.5	1.1	453.311	4607	9324	4607	9325	3071	7.5	8.81E-04	GKS09 - 4A □□□ 071C22 MDFKA□□ 071-22 120
1106	16	2.7	100.551	2779	9324	2019	9324	3029	16	2.17E-03	GKS09 - 4A □□□ 080C22 MDFKA□□ 080-22 60
1251	14	2.4	113.320	3132	9324	2275	9324	3002	14	2.17E-03	GKS09 - 4A □□□ 080C22 MDFKA□□ 080-22 60
1364	13	2.2	123.275	3407	9324	2475	9324	3024	13	2.13E-03	GKS09 - 4A □□□ 080C22 MDFKA□□ 080-22 60
1541	12	1.9	138.929	3840	9324	2789	9324	3017	12	2.13E-03	GKS09 - 4A □□□ 080C22 MDFKA□□ 080-22 60
1678	11	1.8	151.012	4174	9324	3032	9324	3024	11	2.07E-03	GKS09 - 4A □□□ 080C22 MDFKA□□ 080-22 60
1895	9.6	1.6	170.188	4526	9324	3417	9324	3017	9.6	2.07E-03	GKS09 - 4A □□□ 080C22 MDFKA□□ 080-22 60
2285	8.0	1.3	204.596	4547	9324	4107	9324	3031	8.0	2.04E-03	GKS09 - 4A □□□ 080C22 MDFKA□□ 080-22 60
2579	7.1	1.2	230.577	4572	9324	4572	9324	3048	7.1	2.04E-03	GKS09 - 4A □□□ 080C22 MDFKA□□ 080-22 60
2781	6.6	1.1	248.439	4547	9324	4547	9324	3031	6.6	2.03E-03	GKS09 - 4A □□□ 080C22 MDFKA□□ 080-22 60
997	34	2.6	100.551	2751	9325	1990	9325	3029	34	2.17E-03	GKS09 - 4A □□□ 080C22 MDFKA□□ 080-22 120
1124	30	2.5	113.320	3100	9325	2243	9325	3002	30	2.17E-03	GKS09 - 4A □□□ 080C22 MDFKA□□ 080-22 120
1226	28	2.3	123.275	3373	9325	2440	9325	3024	28	2.13E-03	GKS09 - 4A □□□ 080C22 MDFKA□□ 080-22 120
1385	25	2.1	138.929	3801	9325	2750	9325	3017	25	2.13E-03	GKS09 - 4A □□□ 080C22 MDFKA□□ 080-22 120
1508	23	1.9	151.012	4131	9325	2989	9325	3024	23	2.07E-03	GKS09 - 4A □□□ 080C22 MDFKA□□ 080-22 120
1704	20	1.7	170.188	4526	9325	3369	9325	3017	20	2.07E-03	GKS09 - 4A □□□ 080C22 MDFKA□□ 080-22 120
2054	17	1.4	204.596	4547	9325	4050	9325	3031	17	2.04E-03	GKS09 - 4A □□□ 080C22 MDFKA□□ 080-22 120
2319	15	1.3	230.577	4572	9325	4564	9325	3048	15	2.04E-03	GKS09 - 4A □□□ 080C22 MDFKA□□ 080-22 120
2501	14	1.2	248.439	4547	9325	4547	9325	3031	14	2.03E-03	GKS09 - 4A □□□ 080C22 MDFKA□□ 080-22 120
2822	12	1.0	279.986	4607	9325	4607	9325	3071	12	2.03E-03	GKS09 - 4A □□□ 080C22 MDFKA□□ 080-22 120
2008	17	1.5	100.551	4544	9325	3943	9325	3029	17	3.85E-03	GKS09 - 4A □□□ 090C22 MDFKA□□ 090-22 60
2267	15	1.3	113.320	4503	9325	4444	9325	3002	15	3.85E-03	GKS09 - 4A □□□ 090C22 MDFKA□□ 090-22 60
2469	14	1.2	123.275	4536	9325	4536	9325	3024	14	3.81E-03	GKS09 - 4A □□□ 090C22 MDFKA□□ 090-22 60
2787	12	1.1	138.929	4526	9325	4526	9325	3017	12	3.81E-03	GKS09 - 4A □□□ 090C22 MDFKA□□ 090-22 60
1775	35	1.5	100.551	4544	9326	4187	9327	3029	31	3.85E-03	GKS09 - 4A □□□ 090C22 MDFKA□□ 090-22 120
2001	31	1.4	113.320	4503	9326	4503	9327	3002	27	3.85E-03	GKS09 - 4A □□□ 090C22 MDFKA□□ 090-22 120
2180	28	1.3	123.275	4536	9326	4536	9327	3024	25	3.81E-03	GKS09 - 4A □□□ 090C22 MDFKA□□ 090-22 120
2460	25	1.2	138.929	4526	9326	4526	9327	3017	22	3.81E-03	GKS09 - 4A □□□ 090C22 MDFKA□□ 090-22 120

Observe the notes for thermal dimensioning.

Selection tables - Helical-bevel gearboxes

Forced ventilated asynchronous geared servo motors



M ₂ [Nm]	n ₂ trans [rpm]	c	i	M ₂ max short-time on geared motor at				M ₂ Gr gearbox c=1 n ₁ ≤ 1400 rpm [Nm]	n ₂ therm [rpm]	J _{GM} referred to motor shaft [kgm ²]	Helical-bevel geared servo motor Dimensions on Page 6-88
				8 kHz		16 kHz					
				M ₂ max [Nm]	Type EVS	M ₂ max [Nm]	Type EVS				
2677	23	1.1	151.012	4536	9326	4536	9327	3024	21	3.75E-03	GKS09 - 4A □□□ 090C22 MDFKA□□ 090-22 120
1015	18	3.8	91.737	2579	9324	1873	9324	3979	18	2.75E-03	GKS11 - 3A □□□ 080C22 MDFKA□□ 080-22 60
1143	16	3.8	103.365	2906	9324	2111	9324	4483	16	2.74E-03	GKS11 - 3A □□□ 080C22 MDFKA□□ 080-22 60
1240	15	3.2	111.335	3130	9324	2274	9324	4042	15	2.53E-03	GKS11 - 3A □□□ 080C22 MDFKA□□ 080-22 60
1397	13	3.2	125.448	3527	9324	2562	9324	4555	13	2.52E-03	GKS11 - 3A □□□ 080C22 MDFKA□□ 080-22 60
1578	12	2.6	140.732	3957	9324	2874	9324	4107	12	2.32E-03	GKS11 - 3A □□□ 080C22 MDFKA□□ 080-22 60
1778	10	2.6	158.571	4458	9324	3238	9324	4628	10	2.31E-03	GKS11 - 3A □□□ 080C22 MDFKA□□ 080-22 60
2086	8.8	2.8	186.572	5246	9324	3810	9324	5975	8.8	2.63E-03	GKS11 - 3A □□□ 080C22 MDFKA□□ 080-22 60
2359	7.8	2.5	210.222	5911	9324	4293	9324	5892	7.8	2.63E-03	GKS11 - 3A □□□ 080C22 MDFKA□□ 080-22 60
2545	7.2	2.3	226.431	6366	9324	4624	9324	5975	7.2	2.44E-03	GKS11 - 3A □□□ 080C22 MDFKA□□ 080-22 60
2877	6.4	2.0	255.133	7173	9324	5210	9324	5892	6.4	2.44E-03	GKS11 - 3A □□□ 080C22 MDFKA□□ 080-22 60
3234	5.7	1.8	286.219	8047	9324	5845	9324	5975	5.7	2.26E-03	GKS11 - 3A □□□ 080C22 MDFKA□□ 080-22 60
3653	5.1	1.6	322.500	8838	9324	6586	9324	5892	5.1	2.26E-03	GKS11 - 3A □□□ 080C22 MDFKA□□ 080-22 60
915	38	3.6	91.737	2553	9325	1847	9325	3979	38	2.75E-03	GKS11 - 3A □□□ 080C22 MDFKA□□ 080-22 120
1031	33	3.6	103.365	2877	9325	2082	9325	4483	33	2.74E-03	GKS11 - 3A □□□ 080C22 MDFKA□□ 080-22 120
1114	31	3.4	111.335	3099	9325	2242	9325	4042	31	2.53E-03	GKS11 - 3A □□□ 080C22 MDFKA□□ 080-22 120
1255	28	3.4	125.448	3491	9325	2526	9325	4555	28	2.52E-03	GKS11 - 3A □□□ 080C22 MDFKA□□ 080-22 120
1418	25	2.7	140.732	3917	9325	2834	9325	4107	25	2.32E-03	GKS11 - 3A □□□ 080C22 MDFKA□□ 080-22 120
1597	22	2.7	158.571	4413	9325	3193	9325	4628	22	2.31E-03	GKS11 - 3A □□□ 080C22 MDFKA□□ 080-22 120
1874	19	3.0	186.572	5193	9325	3757	9325	5975	19	2.63E-03	GKS11 - 3A □□□ 080C22 MDFKA□□ 080-22 120
2120	16	2.6	210.222	5851	9325	4233	9325	5892	16	2.63E-03	GKS11 - 3A □□□ 080C22 MDFKA□□ 080-22 120
2287	15	2.5	226.431	6302	9325	4560	9325	5975	15	2.44E-03	GKS11 - 3A □□□ 080C22 MDFKA□□ 080-22 120
2586	14	2.1	255.133	7101	9325	5138	9325	5892	14	2.44E-03	GKS11 - 3A □□□ 080C22 MDFKA□□ 080-22 120
2907	12	1.9	286.219	7966	9325	5764	9325	5975	12	2.26E-03	GKS11 - 3A □□□ 080C22 MDFKA□□ 080-22 120
3284	11	1.7	322.500	8838	9325	6494	9325	5892	11	2.26E-03	GKS11 - 3A □□□ 080C22 MDFKA□□ 080-22 120
698	47	5.2	35.741	1942	9325	1426	9325	3935	47	7.28E-03	GKS11 - 3A □□□ 090C22 MDFKA□□ 090-22 60
786	42	5.2	40.272	2188	9325	1607	9325	4434	42	7.22E-03	GKS11 - 3A □□□ 090C22 MDFKA□□ 090-22 60
1144	29	3.7	57.683	3134	9325	2301	9325	4370	29	5.37E-03	GKS11 - 3A □□□ 090C22 MDFKA□□ 090-22 60
1289	26	3.7	64.995	3531	9325	2593	9325	4924	26	5.35E-03	GKS11 - 3A □□□ 090C22 MDFKA□□ 090-22 60
1416	24	3.1	70.887	3852	9325	2828	9325	4497	24	4.90E-03	GKS11 - 3A □□□ 090C22 MDFKA□□ 090-22 60
1595	21	3.1	79.873	4340	9325	3187	9325	5068	21	4.89E-03	GKS11 - 3A □□□ 090C22 MDFKA□□ 090-22 60
1844	18	2.5	91.737	4984	9325	3660	9325	4660	18	4.43E-03	GKS11 - 3A □□□ 090C22 MDFKA□□ 090-22 60
2078	16	2.5	103.365	5616	9325	4124	9325	5250	16	4.42E-03	GKS11 - 3A □□□ 090C22 MDFKA□□ 090-22 60
2248	15	2.1	111.335	6049	9325	4442	9325	4734	15	4.21E-03	GKS11 - 3A □□□ 090C22 MDFKA□□ 090-22 60

Observe the notes for thermal dimensioning.

Selection tables - Helical-bevel gearboxes

Forced ventilated asynchronous geared servo motors

M ₂ [Nm]	n _{2 trans} [rpm]	c	i	M _{2 max} short-time on geared motor at				M _{2 Gr} gearbox c=1 n ₁ ≤ 1400 rpm [Nm]	n _{2 therm} [rpm]	J _{GM} referred to motor shaft [kgm ²]	Helical-bevel geared servo motor Dimensions on Page 6-88
				8 kHz		16 kHz					
				M _{2 max} [Nm]	Type EVS	M _{2 max} [Nm]	Type EVS				
2533	13	2.1	125.448	6816	9325	5005	9325	5335	13	4.20E-03	GKS11 - 3A □□□ 090C22 MDFKA□□ 090-22 60
2854	12	1.7	140.732	7216	9325	5614	9325	4811	12	4.00E-03	GKS11 - 3A □□□ 090C22 MDFKA□□ 090-22 60
3215	11	1.7	158.571	8131	9325	6326	9325	5421	11	3.99E-03	GKS11 - 3A □□□ 090C22 MDFKA□□ 090-22 60
3787	9.0	1.6	186.572	8963	9325	7443	9325	5975	9.0	4.31E-03	GKS11 - 3A □□□ 090C22 MDFKA□□ 090-22 60
4276	8.0	1.4	210.222	8838	9325	8387	9325	5892	8.0	4.31E-03	GKS11 - 3A □□□ 090C22 MDFKA□□ 090-22 60
4610	7.4	1.3	226.431	8963	9325	8963	9325	5975	7.4	4.12E-03	GKS11 - 3A □□□ 090C22 MDFKA□□ 090-22 60
5203	6.6	1.1	255.133	8838	9325	8838	9325	5892	6.6	4.12E-03	GKS11 - 3A □□□ 090C22 MDFKA□□ 090-22 60
5844	5.9	1.0	286.219	8963	9325	8963	9325	5975	5.9	3.94E-03	GKS11 - 3A □□□ 090C22 MDFKA□□ 090-22 60
621	97	4.6	35.741	1721	9326	1514	9327	3935	63	7.28E-03	GKS11 - 3A □□□ 090C22 MDFKA□□ 090-22 120
699	86	4.6	40.272	1939	9326	1706	9327	4434	56	7.22E-03	GKS11 - 3A □□□ 090C22 MDFKA□□ 090-22 120
1012	60	3.6	57.683	2778	9326	2444	9327	4370	50	5.37E-03	GKS11 - 3A □□□ 090C22 MDFKA□□ 090-22 120
1141	54	3.6	64.995	3130	9326	2753	9327	4924	45	5.35E-03	GKS11 - 3A □□□ 090C22 MDFKA□□ 090-22 120
1252	49	3.0	70.887	3414	9326	3003	9327	4497	44	4.90E-03	GKS11 - 3A □□□ 090C22 MDFKA□□ 090-22 120
1411	44	3.0	79.873	3847	9326	3384	9327	5068	39	4.89E-03	GKS11 - 3A □□□ 090C22 MDFKA□□ 090-22 120
1631	38	2.4	91.737	4418	9326	3886	9327	4660	34	4.43E-03	GKS11 - 3A □□□ 090C22 MDFKA□□ 090-22 120
1838	34	2.4	103.365	4978	9326	4379	9327	5250	30	4.42E-03	GKS11 - 3A □□□ 090C22 MDFKA□□ 090-22 120
1983	31	2.2	111.335	5362	9326	4717	9327	4734	28	4.21E-03	GKS11 - 3A □□□ 090C22 MDFKA□□ 090-22 120
2234	28	2.2	125.448	6041	9326	5314	9327	5335	25	4.20E-03	GKS11 - 3A □□□ 090C22 MDFKA□□ 090-22 120
2518	25	1.8	140.732	6777	9326	5962	9327	4811	22	4.00E-03	GKS11 - 3A □□□ 090C22 MDFKA□□ 090-22 120
2838	22	1.8	158.571	7637	9326	6718	9327	5421	20	3.99E-03	GKS11 - 3A □□□ 090C22 MDFKA□□ 090-22 120
3343	19	1.7	186.572	8963	9326	7904	9327	5975	17	4.31E-03	GKS11 - 3A □□□ 090C22 MDFKA□□ 090-22 120
3775	17	1.5	210.222	8838	9326	8838	9327	5892	15	4.31E-03	GKS11 - 3A □□□ 090C22 MDFKA□□ 090-22 120
4070	15	1.4	226.431	8963	9326	8963	9327	5975	14	4.12E-03	GKS11 - 3A □□□ 090C22 MDFKA□□ 090-22 120
4594	14	1.2	255.133	8838	9326	8838	9327	5892	12	4.12E-03	GKS11 - 3A □□□ 090C22 MDFKA□□ 090-22 120
5160	12	1.1	286.219	8963	9326	8963	9327	5975	11	3.94E-03	GKS11 - 3A □□□ 090C22 MDFKA□□ 090-22 120
924	61	5.1	28.021	1334	9325	1610	9326	5163	61	1.24E-02	GKS11 - 3A □□□ 100C22 MDFKA□□ 100-22 60
1044	54	4.9	31.573	1503	9325	1814	9326	5521	54	1.23E-02	GKS11 - 3A □□□ 100C22 MDFKA□□ 100-22 60
1188	48	4.4	35.741	1701	9325	2054	9326	5655	48	1.09E-02	GKS11 - 3A □□□ 100C22 MDFKA□□ 100-22 60
1344	42	4.1	40.272	1917	9325	2314	9326	5869	42	1.08E-02	GKS11 - 3A □□□ 100C22 MDFKA□□ 100-22 60
1464	39	3.8	43.783	2084	9325	2516	9326	5800	39	9.99E-03	GKS11 - 3A □□□ 100C22 MDFKA□□ 100-22 60
1657	34	3.5	49.333	2348	9325	2835	9326	5923	34	9.95E-03	GKS11 - 3A □□□ 100C22 MDFKA□□ 100-22 60
1947	29	3.0	57.683	2745	9325	3315	9326	5972	29	8.97E-03	GKS11 - 3A □□□ 100C22 MDFKA□□ 100-22 60
2202	26	2.7	64.995	3093	9325	3735	9326	5992	26	8.95E-03	GKS11 - 3A □□□ 100C22 MDFKA□□ 100-22 60
2407	24	2.4	70.887	3373	9325	4074	9326	5973	24	8.50E-03	GKS11 - 3A □□□ 100C22 MDFKA□□ 100-22 60

Observe the notes for thermal dimensioning.

Selection tables - Helical-bevel gearboxes

Forced ventilated asynchronous geared servo motors



M ₂ [Nm]	n _{2 trans} [rpm]	c	i	M _{2 max} short-time on geared motor at				M _{2 Gr} gearbox c=1 n ₁ ≤ 1400 rpm [Nm]	n _{2 therm} [rpm]	J _{GM} referred to motor shaft [kgm ²]	Helical-bevel geared servo motor Dimensions on Page 6-88
				8 kHz		16 kHz					
				M _{2 max} [Nm]	Type EVS	M _{2 max} [Nm]	Type EVS				
2720	21	2.2	79.873	3801	9325	4590	9326	6032	21	8.49E-03	GKS11 - 3A □□□ 100C22 MDFKA□□ 100-22 60
3133	19	1.9	91.737	4366	9325	5272	9326	5975	19	8.03E-03	GKS11 - 3A □□□ 100C22 MDFKA□□ 100-22 60
3538	16	1.7	103.365	4919	9325	5940	9326	6072	16	8.02E-03	GKS11 - 3A □□□ 100C22 MDFKA□□ 100-22 60
3816	15	1.6	111.335	5298	9325	6398	9326	5975	15	7.81E-03	GKS11 - 3A □□□ 100C22 MDFKA□□ 100-22 60
4307	14	1.4	125.448	5970	9325	7209	9326	6072	14	7.80E-03	GKS11 - 3A □□□ 100C22 MDFKA□□ 100-22 60
927	125	4.1	28.021	1799	9327	1703	9328	5163	69	1.24E-02	GKS11 - 3A □□□ 100C22 MDFKA□□ 100-22 120
1047	111	3.9	31.573	2027	9327	1919	9328	5521	61	1.23E-02	GKS11 - 3A □□□ 100C22 MDFKA□□ 100-22 120
1190	98	3.5	35.741	2295	9327	2173	9328	5655	60	1.09E-02	GKS11 - 3A □□□ 100C22 MDFKA□□ 100-22 120
1345	87	3.2	40.272	2586	9327	2448	9328	5869	52	1.08E-02	GKS11 - 3A □□□ 100C22 MDFKA□□ 100-22 120
1461	80	3.3	43.783	2811	9327	2662	9328	5800	55	9.99E-03	GKS11 - 3A □□□ 100C22 MDFKA□□ 100-22 120
1651	71	3.0	49.333	3168	9327	2999	9328	5923	48	9.95E-03	GKS11 - 3A □□□ 100C22 MDFKA□□ 100-22 120
1939	61	2.6	57.683	3704	9327	3507	9328	5972	42	8.97E-03	GKS11 - 3A □□□ 100C22 MDFKA□□ 100-22 120
2192	54	2.3	64.995	4173	9327	3951	9328	5992	38	8.95E-03	GKS11 - 3A □□□ 100C22 MDFKA□□ 100-22 120
2396	50	2.1	70.887	4552	9327	4309	9328	5973	35	8.50E-03	GKS11 - 3A □□□ 100C22 MDFKA□□ 100-22 120
2706	44	1.9	79.873	5129	9327	4856	9328	6032	31	8.49E-03	GKS11 - 3A □□□ 100C22 MDFKA□□ 100-22 120
3116	38	1.6	91.737	5891	9327	5577	9328	5975	27	8.03E-03	GKS11 - 3A □□□ 100C22 MDFKA□□ 100-22 120
3517	34	1.5	103.365	6637	9327	6284	9328	6072	24	8.02E-03	GKS11 - 3A □□□ 100C22 MDFKA□□ 100-22 120
3787	32	1.5	111.335	7149	9327	6768	9328	5975	22	7.81E-03	GKS11 - 3A □□□ 100C22 MDFKA□□ 100-22 120
4274	28	1.3	125.448	8055	9327	7626	9328	6072	20	7.80E-03	GKS11 - 3A □□□ 100C22 MDFKA□□ 100-22 120
685	141	3.8	12.094	1196	9326	1573	9328	2770	131	2.84E-02	GKS11 - 3A □□□ 112C22 MDFKA□□ 112-22 60
745	130	3.8	13.154	1301	9326	1711	9328	3013	121	2.81E-02	GKS11 - 3A □□□ 112C22 MDFKA□□ 112-22 60
904	108	3.2	15.874	1570	9326	2064	9328	3090	108	2.48E-02	GKS11 - 3A □□□ 112C22 MDFKA□□ 112-22 60
984	99	3.2	17.265	1707	9326	2245	9328	3360	99	2.47E-02	GKS11 - 3A □□□ 112C22 MDFKA□□ 112-22 60
1105	88	3.8	19.515	1930	9326	2538	9328	4470	81	2.70E-02	GKS11 - 3A □□□ 112C22 MDFKA□□ 112-22 60
1247	78	3.6	21.989	2174	9326	2859	9328	4884	72	2.70E-02	GKS11 - 3A □□□ 112C22 MDFKA□□ 112-22 60
1459	67	3.2	25.615	2533	9326	3331	9328	4985	67	2.41E-02	GKS11 - 3A □□□ 112C22 MDFKA□□ 112-22 60
1599	61	3.0	28.021	2771	9326	3644	9328	5163	61	2.32E-02	GKS11 - 3A □□□ 112C22 MDFKA□□ 112-22 60
1805	54	2.9	31.573	3122	9326	4106	9328	5521	54	2.31E-02	GKS11 - 3A □□□ 112C22 MDFKA□□ 112-22 60
2049	48	2.6	35.741	3534	9326	4648	9328	5655	48	2.17E-02	GKS11 - 3A □□□ 112C22 MDFKA□□ 112-22 60
2314	42	2.4	40.272	3982	9326	5237	9328	5869	42	2.16E-02	GKS11 - 3A □□□ 112C22 MDFKA□□ 112-22 60
2519	39	2.3	43.783	4329	9326	5693	9328	5800	39	2.08E-02	GKS11 - 3A □□□ 112C22 MDFKA□□ 112-22 60
2845	35	2.1	49.333	4878	9326	6415	9328	5923	35	2.08E-02	GKS11 - 3A □□□ 112C22 MDFKA□□ 112-22 60
3337	30	1.8	57.683	5704	9326	7501	9328	5972	30	1.98E-02	GKS11 - 3A □□□ 112C22 MDFKA□□ 112-22 60
3767	26	1.6	64.995	6427	9326	8452	9328	5992	26	1.98E-02	GKS11 - 3A □□□ 112C22 MDFKA□□ 112-22 60

Observe the notes for thermal dimensioning.

Selection tables - Helical-bevel gearboxes

Forced ventilated asynchronous geared servo motors

M ₂ [Nm]	n _{2 trans} [rpm]	c	i	M _{2 max} short-time on geared motor at				M _{2 Gr} gearbox c=1 n ₁ ≤1400 rpm [Nm]	n _{2 therm} [rpm]	J _{GM} referred to motor shaft [kgm ²]	Helical-bevel geared servo motor Dimensions on Page 6-88
				8 kHz		16 kHz					
				M _{2 max} [Nm]	Type EVS	M _{2 max} [Nm]	Type EVS				
4115	24	1.4	70.887	7009	9326	8960	9328	5973	24	1.93E-02	GKS11 - 3A □□□ 112C22 MDFKA□□ 112-22 60
4644	21	1.3	79.873	7898	9326	9048	9328	6032	21	1.93E-02	GKS11 - 3A □□□ 112C22 MDFKA□□ 112-22 60
617	291	3.3	12.094	1237	9328	1535	9330	2770	127	2.84E-02	GKS11 - 3A □□□ 112C22 MDFKA□□ 112-22 120
671	268	3.3	13.154	1346	9328	1669	9330	3013	117	2.81E-02	GKS11 - 3A □□□ 112C22 MDFKA□□ 112-22 120
814	222	2.8	15.874	1624	9328	2014	9330	3090	108	2.48E-02	GKS11 - 3A □□□ 112C22 MDFKA□□ 112-22 120
885	204	2.8	17.265	1766	9328	2191	9330	3360	100	2.47E-02	GKS11 - 3A □□□ 112C22 MDFKA□□ 112-22 120
995	180	3.3	19.515	1996	9328	2477	9330	4470	79	2.70E-02	GKS11 - 3A □□□ 112C22 MDFKA□□ 112-22 120
1122	160	3.2	21.989	2249	9328	2790	9330	4884	69	2.70E-02	GKS11 - 3A □□□ 112C22 MDFKA□□ 112-22 120
1313	137	2.8	25.615	2620	9328	3251	9330	4985	67	2.41E-02	GKS11 - 3A □□□ 112C22 MDFKA□□ 112-22 120
1438	126	2.7	28.021	2867	9328	3556	9330	5163	63	2.32E-02	GKS11 - 3A □□□ 112C22 MDFKA□□ 112-22 120
1623	111	2.5	31.573	3230	9328	4007	9330	5521	55	2.31E-02	GKS11 - 3A □□□ 112C22 MDFKA□□ 112-22 120
1842	98	2.3	35.741	3656	9328	4536	9330	5655	54	2.17E-02	GKS11 - 3A □□□ 112C22 MDFKA□□ 112-22 120
2080	87	2.1	40.272	4120	9328	5111	9330	5869	47	2.16E-02	GKS11 - 3A □□□ 112C22 MDFKA□□ 112-22 120
2259	80	2.2	43.783	4479	9328	5556	9330	5800	46	2.08E-02	GKS11 - 3A □□□ 112C22 MDFKA□□ 112-22 120
2551	71	2.0	49.333	5047	9328	6261	9330	5923	41	2.08E-02	GKS11 - 3A □□□ 112C22 MDFKA□□ 112-22 120
2991	61	1.7	57.683	5901	9328	7320	9330	5972	35	1.98E-02	GKS11 - 3A □□□ 112C22 MDFKA□□ 112-22 120
3377	54	1.5	64.995	6649	9328	8248	9330	5992	31	1.98E-02	GKS11 - 3A □□□ 112C22 MDFKA□□ 112-22 120
3689	50	1.4	70.887	7252	9328	8960	9330	5973	28	1.93E-02	GKS11 - 3A □□□ 112C22 MDFKA□□ 112-22 120
4162	44	1.2	79.873	8171	9328	9048	9330	6032	25	1.93E-02	GKS11 - 3A □□□ 112C22 MDFKA□□ 112-22 120
570	33	5.8	102.119	1240	9324	1812	9325	4012	33	1.56E-03	GKS11 - 4A □□□ 071C22 MDFKA□□ 071-22 120
1859	11	3.0	322.931	3920	9324	5729	9325	5973	11	1.04E-03	GKS11 - 4A □□□ 071C22 MDFKA□□ 071-22 120
2101	9.4	2.7	363.866	4417	9324	6455	9325	6032	9.4	1.04E-03	GKS11 - 4A □□□ 071C22 MDFKA□□ 071-22 120
2292	8.6	2.5	395.787	4804	9324	7022	9325	5973	8.6	9.82E-04	GKS11 - 4A □□□ 071C22 MDFKA□□ 071-22 120
2589	7.7	2.2	445.958	5413	9324	7912	9325	6032	7.7	9.82E-04	GKS11 - 4A □□□ 071C22 MDFKA□□ 071-22 120
2984	6.7	1.9	512.196	6217	9324	8963	9325	5975	6.7	9.69E-04	GKS11 - 4A □□□ 071C22 MDFKA□□ 071-22 120
3369	5.9	1.7	577.122	7005	9324	9108	9325	6072	5.9	9.68E-04	GKS11 - 4A □□□ 071C22 MDFKA□□ 071-22 120
3634	5.5	1.6	621.619	7545	9324	8963	9325	5975	5.5	9.61E-04	GKS11 - 4A □□□ 071C22 MDFKA□□ 071-22 120
4102	4.9	1.4	700.416	8502	9324	9108	9325	6072	4.9	9.61E-04	GKS11 - 4A □□□ 071C22 MDFKA□□ 071-22 120
4793	4.2	1.2	816.455	8963	9324	8963	9325	5975	4.2	9.12E-04	GKS11 - 4A □□□ 071C22 MDFKA□□ 071-22 120
5407	3.7	1.1	919.949	9108	9324	9108	9325	6072	3.7	9.12E-04	GKS11 - 4A □□□ 071C22 MDFKA□□ 071-22 120
1096	16	4.9	102.119	2822	9324	2050	9324	5655	16	2.65E-03	GKS11 - 4A □□□ 080C22 MDFKA□□ 080-22 60
1240	14	4.6	115.063	3180	9324	2310	9324	5869	14	2.64E-03	GKS11 - 4A □□□ 080C22 MDFKA□□ 080-22 60
1355	13	4.1	125.095	3457	9324	2511	9324	5800	13	2.54E-03	GKS11 - 4A □□□ 080C22 MDFKA□□ 080-22 60
1533	12	3.8	140.952	3896	9324	2830	9324	5923	12	2.54E-03	GKS11 - 4A □□□ 080C22 MDFKA□□ 080-22 60

Observe the notes for thermal dimensioning.

Selection tables - Helical-bevel gearboxes

Forced ventilated asynchronous geared servo motors



M ₂ [Nm]	n _{2 trans} [rpm]	c	i	M _{2 max} short-time on geared motor at				M _{2 Gr} gearbox c=1 n ₁ ≤ 1400 rpm [Nm]	n _{2 therm} [rpm]	J _{GM} referred to motor shaft [kgm ²]	Helical-bevel geared servo motor Dimensions on Page 6-88
				8 kHz		16 kHz					
				M _{2 max} [Nm]	Type EVS	M _{2 max} [Nm]	Type EVS				
1673	11	3.4	153.242	4235	9324	3076	9324	5800	11	2.37E-03	GKS11 - 4A □□□ 080C22 MDFKA□□ 080-22 60
1892	9.5	3.1	172.667	4772	9324	3466	9324	5923	9.5	2.37E-03	GKS11 - 4A □□□ 080C22 MDFKA□□ 080-22 60
2222	8.1	2.6	201.890	5580	9324	4053	9324	5972	8.1	2.29E-03	GKS11 - 4A □□□ 080C22 MDFKA□□ 080-22 60
2512	7.2	2.4	227.481	6287	9324	4567	9324	5992	7.2	2.29E-03	GKS11 - 4A □□□ 080C22 MDFKA□□ 080-22 60
2746	6.6	2.1	248.106	6857	9324	4981	9324	5973	6.6	2.26E-03	GKS11 - 4A □□□ 080C22 MDFKA□□ 080-22 60
3101	5.9	1.9	279.556	7726	9324	5612	9324	6032	5.9	2.25E-03	GKS11 - 4A □□□ 080C22 MDFKA□□ 080-22 60
3593	5.1	1.7	322.931	8925	9324	6483	9324	5973	5.1	2.13E-03	GKS11 - 4A □□□ 080C22 MDFKA□□ 080-22 60
4056	4.5	1.5	363.866	9048	9324	7305	9324	6032	4.5	2.13E-03	GKS11 - 4A □□□ 080C22 MDFKA□□ 080-22 60
4418	4.1	1.3	395.787	8960	9324	7945	9324	5973	4.1	2.07E-03	GKS11 - 4A □□□ 080C22 MDFKA□□ 080-22 60
4986	3.7	1.2	445.958	9048	9324	8953	9324	6032	3.7	2.07E-03	GKS11 - 4A □□□ 080C22 MDFKA□□ 080-22 60
5736	3.2	1.0	512.196	8963	9324	8963	9324	5975	3.2	2.06E-03	GKS11 - 4A □□□ 080C22 MDFKA□□ 080-22 60
989	34	4.7	102.119	2794	9325	2021	9325	5655	34	2.65E-03	GKS11 - 4A □□□ 080C22 MDFKA□□ 080-22 120
1113	30	4.8	115.063	3148	9325	2278	9325	5869	30	2.64E-03	GKS11 - 4A □□□ 080C22 MDFKA□□ 080-22 120
1216	28	4.4	125.095	3422	9325	2476	9325	5800	28	2.54E-03	GKS11 - 4A □□□ 080C22 MDFKA□□ 080-22 120
1376	25	4.0	140.952	3856	9325	2790	9325	5923	25	2.54E-03	GKS11 - 4A □□□ 080C22 MDFKA□□ 080-22 120
1503	23	3.6	153.242	4192	9325	3033	9325	5800	23	2.37E-03	GKS11 - 4A □□□ 080C22 MDFKA□□ 080-22 120
1699	20	3.2	172.667	4724	9325	3418	9325	5923	20	2.37E-03	GKS11 - 4A □□□ 080C22 MDFKA□□ 080-22 120
1997	17	2.8	201.890	5523	9325	3996	9325	5972	17	2.29E-03	GKS11 - 4A □□□ 080C22 MDFKA□□ 080-22 120
2257	15	2.5	227.481	6223	9325	4503	9325	5992	15	2.29E-03	GKS11 - 4A □□□ 080C22 MDFKA□□ 080-22 120
2468	14	2.3	248.106	6788	9325	4911	9325	5973	14	2.26E-03	GKS11 - 4A □□□ 080C22 MDFKA□□ 080-22 120
2788	12	2.0	279.556	7648	9325	5534	9325	6032	12	2.25E-03	GKS11 - 4A □□□ 080C22 MDFKA□□ 080-22 120
3230	11	1.8	322.931	8835	9325	6392	9325	5973	11	2.13E-03	GKS11 - 4A □□□ 080C22 MDFKA□□ 080-22 120
3647	9.5	1.6	363.866	9048	9325	7203	9325	6032	9.5	2.13E-03	GKS11 - 4A □□□ 080C22 MDFKA□□ 080-22 120
3973	8.7	1.4	395.787	8960	9325	7835	9325	5973	8.7	2.07E-03	GKS11 - 4A □□□ 080C22 MDFKA□□ 080-22 120
4484	7.8	1.3	445.958	9048	9325	8828	9325	6032	7.8	2.07E-03	GKS11 - 4A □□□ 080C22 MDFKA□□ 080-22 120
5159	6.8	1.1	512.196	8963	9325	8963	9325	5975	6.8	2.06E-03	GKS11 - 4A □□□ 080C22 MDFKA□□ 080-22 120
2011	16	2.8	102.119	5454	9325	4005	9325	5655	16	4.33E-03	GKS11 - 4A □□□ 090C22 MDFKA□□ 090-22 60
2272	15	2.5	115.063	6145	9325	4512	9325	5869	15	4.32E-03	GKS11 - 4A □□□ 090C22 MDFKA□□ 090-22 60
2476	13	2.3	125.095	6681	9325	4906	9325	5800	13	4.22E-03	GKS11 - 4A □□□ 090C22 MDFKA□□ 090-22 60
2796	12	2.1	140.952	7528	9325	5528	9325	5923	12	4.22E-03	GKS11 - 4A □□□ 090C22 MDFKA□□ 090-22 60
3047	11	1.9	153.242	8184	9325	6010	9325	5800	11	4.05E-03	GKS11 - 4A □□□ 090C22 MDFKA□□ 090-22 60
3440	9.7	1.7	172.667	8885	9325	6771	9325	5923	9.7	4.05E-03	GKS11 - 4A □□□ 090C22 MDFKA□□ 090-22 60
4032	8.3	1.5	201.890	8958	9325	7917	9325	5972	8.3	3.97E-03	GKS11 - 4A □□□ 090C22 MDFKA□□ 090-22 60
4551	7.4	1.3	227.481	8988	9325	8921	9325	5992	7.4	3.97E-03	GKS11 - 4A □□□ 090C22 MDFKA□□ 090-22 60

Observe the notes for thermal dimensioning.

Selection tables - Helical-bevel gearboxes

Forced ventilated asynchronous geared servo motors

M ₂ [Nm]	n _{2 trans} [rpm]	c	i	M _{2 max} short-time on geared motor at				M _{2 Gr} gearbox c=1 n ₁ ≤ 1400 rpm [Nm]	n _{2 therm} [rpm]	J _{GM} referred to motor shaft [kgm ²]	Helical-bevel geared servo motor Dimensions on Page 6-88
				8 kHz		16 kHz					
				M _{2 max} [Nm]	Type EVS	M _{2 max} [Nm]	Type EVS				
4970	6.8	1.2	248.106	8960	9325	8960	9325	5973	6.8	3.94E-03	GKS11 - 4A □□□ 090C22 MDFKA□□ 090-22 60
5608	6.0	1.1	279.556	9048	9325	9048	9325	6032	6.0	3.93E-03	GKS11 - 4A □□□ 090C22 MDFKA□□ 090-22 60
1779	34	2.7	102.119	4834	9326	4253	9327	5655	30	4.33E-03	GKS11 - 4A □□□ 090C22 MDFKA□□ 090-22 120
2003	30	2.7	115.063	5447	9326	4792	9327	5869	27	4.32E-03	GKS11 - 4A □□□ 090C22 MDFKA□□ 090-22 120
2184	28	2.5	125.095	5922	9326	5209	9327	5800	25	4.22E-03	GKS11 - 4A □□□ 090C22 MDFKA□□ 090-22 120
2467	25	2.3	140.952	6673	9326	5870	9327	5923	22	4.22E-03	GKS11 - 4A □□□ 090C22 MDFKA□□ 090-22 120
2689	23	2.0	153.242	7254	9326	6382	9327	5800	20	4.05E-03	GKS11 - 4A □□□ 090C22 MDFKA□□ 090-22 120
3036	20	1.8	172.667	8174	9326	7191	9327	5923	18	4.05E-03	GKS11 - 4A □□□ 090C22 MDFKA□□ 090-22 120
3559	17	1.6	201.890	8958	9326	8407	9327	5972	15	3.97E-03	GKS11 - 4A □□□ 090C22 MDFKA□□ 090-22 120
4018	15	1.4	227.481	8988	9326	8988	9327	5992	14	3.97E-03	GKS11 - 4A □□□ 090C22 MDFKA□□ 090-22 120
4388	14	1.3	248.106	8960	9326	8960	9327	5973	13	3.94E-03	GKS11 - 4A □□□ 090C22 MDFKA□□ 090-22 120
4951	12	1.2	279.556	9048	9326	9048	9327	6032	11	3.93E-03	GKS11 - 4A □□□ 090C22 MDFKA□□ 090-22 120
3438	17	1.6	102.119	4777	9325	5769	9326	5655	17	7.93E-03	GKS11 - 4A □□□ 100C22 MDFKA□□ 100-22 60
3879	15	1.5	115.063	5383	9325	6500	9326	5869	15	7.92E-03	GKS11 - 4A □□□ 100C22 MDFKA□□ 100-22 60
4223	14	1.4	125.095	5852	9325	7067	9326	5800	14	7.82E-03	GKS11 - 4A □□□ 100C22 MDFKA□□ 100-22 60
4765	12	1.2	140.952	6594	9325	7962	9326	5923	12	7.82E-03	GKS11 - 4A □□□ 100C22 MDFKA□□ 100-22 60
5187	11	1.1	153.242	7169	9325	8657	9326	5800	11	7.65E-03	GKS11 - 4A □□□ 100C22 MDFKA□□ 100-22 60
5852	9.9	1.0	172.667	8077	9325	8885	9326	5923	9.9	7.65E-03	GKS11 - 4A □□□ 100C22 MDFKA□□ 100-22 60
3418	34	1.4	102.119	6446	9327	6102	9328	5655	24	7.93E-03	GKS11 - 4A □□□ 100C22 MDFKA□□ 100-22 120
3849	31	1.4	115.063	7263	9327	6876	9328	5869	21	7.92E-03	GKS11 - 4A □□□ 100C22 MDFKA□□ 100-22 120
4191	28	1.3	125.095	7896	9327	7475	9328	5800	20	7.82E-03	GKS11 - 4A □□□ 100C22 MDFKA□□ 100-22 120
4728	25	1.2	140.952	8885	9327	8423	9328	5923	17	7.82E-03	GKS11 - 4A □□□ 100C22 MDFKA□□ 100-22 120
5147	23	1.1	153.242	8700	9327	8700	9328	5800	16	7.65E-03	GKS11 - 4A □□□ 100C22 MDFKA□□ 100-22 120
1845	30	5.6	56.251	2677	9325	3233	9326	10874	30	1.26E-02	GKS14 - 3A □□□ 100C22 MDFKA□□ 100-22 60
2088	27	5.3	63.382	3016	9325	3642	9326	11477	27	1.26E-02	GKS14 - 3A □□□ 100C22 MDFKA□□ 100-22 60
2282	25	4.8	68.942	3281	9325	3962	9326	11454	25	1.11E-02	GKS14 - 3A □□□ 100C22 MDFKA□□ 100-22 60
2585	22	4.3	77.681	3697	9325	4464	9326	11520	22	1.10E-02	GKS14 - 3A □□□ 100C22 MDFKA□□ 100-22 60
3034	19	3.7	90.551	4309	9325	5204	9326	11488	19	9.71E-03	GKS14 - 3A □□□ 100C22 MDFKA□□ 100-22 60
3432	17	3.3	102.029	4855	9325	5863	9326	11639	17	9.69E-03	GKS14 - 3A □□□ 100C22 MDFKA□□ 100-22 60
3705	15	3.1	109.896	5230	9325	6315	9326	11784	15	9.03E-03	GKS14 - 3A □□□ 100C22 MDFKA□□ 100-22 60
4192	14	2.7	123.826	5893	9325	7116	9326	11639	14	9.01E-03	GKS14 - 3A □□□ 100C22 MDFKA□□ 100-22 60
4716	12	2.5	138.913	6611	9325	7983	9326	11784	12	8.40E-03	GKS14 - 3A □□□ 100C22 MDFKA□□ 100-22 60
5331	11	2.2	156.522	7449	9325	8995	9326	11639	11	8.39E-03	GKS14 - 3A □□□ 100C22 MDFKA□□ 100-22 60
6379	9.1	1.8	186.572	8879	9325	10722	9326	11609	9.1	9.36E-03	GKS14 - 3A □□□ 100C22 MDFKA□□ 100-22 60

Observe the notes for thermal dimensioning.

Selection tables - Helical-bevel gearboxes

Forced ventilated asynchronous geared servo motors



M ₂ [Nm]	n _{2 trans} [rpm]	c	i	M _{2 max} short-time on geared motor at				M _{2 Gr} gearbox c=1 n ₁ ≤ 1400 rpm [Nm]	n _{2 therm} [rpm]	J _{GM} referred to motor shaft [kgm ²]	Helical-bevel geared servo motor Dimensions on Page 6-88
				8 kHz		16 kHz					
				M _{2 max} [Nm]	Type EVS	M _{2 max} [Nm]	Type EVS				
7203	8.1	1.6	210.222	10004	9325	12081	9326	11555	8.1	9.35E-03	GKS14 - 3A □□□ 100C22 MDFKA□□ 100-22 60
7767	7.5	1.5	226.431	10775	9325	13012	9326	11609	7.5	8.79E-03	GKS14 - 3A □□□ 100C22 MDFKA□□ 100-22 60
8768	6.7	1.3	255.133	12141	9325	14662	9326	11555	6.7	8.78E-03	GKS14 - 3A □□□ 100C22 MDFKA□□ 100-22 60
9850	5.9	1.2	286.219	13621	9325	16448	9326	11609	5.9	8.25E-03	GKS14 - 3A □□□ 100C22 MDFKA□□ 100-22 60
11115	5.3	1.0	322.500	15347	9325	17332	9326	11555	5.3	8.25E-03	GKS14 - 3A □□□ 100C22 MDFKA□□ 100-22 60
1846	62	4.8	56.251	3612	9327	3420	9328	10874	44	1.26E-02	GKS14 - 3A □□□ 100C22 MDFKA□□ 100-22 120
2087	55	4.5	63.382	4070	9327	3853	9328	11477	39	1.26E-02	GKS14 - 3A □□□ 100C22 MDFKA□□ 100-22 120
2279	51	4.2	68.942	4427	9327	4191	9328	11454	36	1.11E-02	GKS14 - 3A □□□ 100C22 MDFKA□□ 100-22 120
2580	45	3.7	77.681	4988	9327	4722	9328	11520	32	1.10E-02	GKS14 - 3A □□□ 100C22 MDFKA□□ 100-22 120
3025	39	3.2	90.551	5814	9327	5505	9328	11488	27	9.71E-03	GKS14 - 3A □□□ 100C22 MDFKA□□ 100-22 120
3421	34	2.9	102.029	6551	9327	6203	9328	11639	24	9.69E-03	GKS14 - 3A □□□ 100C22 MDFKA□□ 100-22 120
3691	32	2.7	109.896	7057	9327	6681	9328	11784	22	9.03E-03	GKS14 - 3A □□□ 100C22 MDFKA□□ 100-22 120
4163	28	2.6	123.826	7951	9327	7528	9328	11639	20	9.01E-03	GKS14 - 3A □□□ 100C22 MDFKA□□ 100-22 120
4682	25	2.4	138.913	8920	9327	8445	9328	11784	18	8.40E-03	GKS14 - 3A □□□ 100C22 MDFKA□□ 100-22 120
5292	22	2.1	156.522	10050	9327	9515	9328	11639	16	8.39E-03	GKS14 - 3A □□□ 100C22 MDFKA□□ 100-22 120
6331	19	1.7	186.572	11980	9327	11342	9328	11609	13	9.36E-03	GKS14 - 3A □□□ 100C22 MDFKA□□ 100-22 120
7149	17	1.5	210.222	13499	9327	12780	9328	11555	12	9.35E-03	GKS14 - 3A □□□ 100C22 MDFKA□□ 100-22 120
7708	16	1.4	226.431	14539	9327	13765	9328	11609	11	8.79E-03	GKS14 - 3A □□□ 100C22 MDFKA□□ 100-22 120
8701	14	1.3	255.133	16382	9327	15510	9328	11555	9.6	8.78E-03	GKS14 - 3A □□□ 100C22 MDFKA□□ 100-22 120
9774	12	1.1	286.219	17414	9327	17400	9328	11609	8.6	8.25E-03	GKS14 - 3A □□□ 100C22 MDFKA□□ 100-22 120
921	103	5.8	16.646	1646	9326	2165	9328	5932	102	3.78E-02	GKS14 - 3A □□□ 112C22 MDFKA□□ 112-22 60
1017	93	5.5	18.311	1811	9326	2381	9328	6158	93	3.53E-02	GKS14 - 3A □□□ 112C22 MDFKA□□ 112-22 60
1367	69	5.8	24.696	2442	9326	3211	9328	8801	69	3.63E-02	GKS14 - 3A □□□ 112C22 MDFKA□□ 112-22 60
1509	63	5.5	27.165	2686	9326	3533	9328	9135	63	3.39E-02	GKS14 - 3A □□□ 112C22 MDFKA□□ 112-22 60
1702	56	5.4	30.609	3027	9326	3980	9328	10132	56	3.36E-02	GKS14 - 3A □□□ 112C22 MDFKA□□ 112-22 60
1944	49	4.7	34.692	3430	9326	4511	9328	10019	49	2.91E-02	GKS14 - 3A □□□ 112C22 MDFKA□□ 112-22 60
2194	44	4.6	39.089	3865	9326	5083	9328	10937	44	2.89E-02	GKS14 - 3A □□□ 112C22 MDFKA□□ 112-22 60
2393	40	4.3	42.531	4206	9326	5531	9328	10787	40	2.62E-02	GKS14 - 3A □□□ 112C22 MDFKA□□ 112-22 60
2706	36	4.0	47.923	4739	9326	6232	9328	11261	36	2.61E-02	GKS14 - 3A □□□ 112C22 MDFKA□□ 112-22 60
3194	30	3.5	56.251	5562	9326	7315	9328	11522	30	2.34E-02	GKS14 - 3A □□□ 112C22 MDFKA□□ 112-22 60
3615	27	3.1	63.382	6267	9326	8242	9328	11477	27	2.34E-02	GKS14 - 3A □□□ 112C22 MDFKA□□ 112-22 60
3943	25	2.8	68.942	6817	9326	8965	9328	11454	25	2.19E-02	GKS14 - 3A □□□ 112C22 MDFKA□□ 112-22 60
4457	22	2.5	77.681	7681	9326	10101	9328	11520	22	2.18E-02	GKS14 - 3A □□□ 112C22 MDFKA□□ 112-22 60
5216	19	2.2	90.551	8954	9326	11775	9328	11488	19	2.05E-02	GKS14 - 3A □□□ 112C22 MDFKA□□ 112-22 60

Observe the notes for thermal dimensioning.

Selection tables - Helical-bevel gearboxes

Forced ventilated asynchronous geared servo motors

M ₂ [Nm]	n ₂ trans [rpm]	c	i	M ₂ max short-time on geared motor at				M ₂ Gr gearbox c=1 n ₁ ≤ 1400 rpm [Nm]	n ₂ therm [rpm]	J _{GM} referred to motor shaft [kgm ²]	Helical-bevel geared servo motor Dimensions on Page 6-88
				8 kHz		16 kHz					
				M ₂ max [Nm]	Type EVS	M ₂ max [Nm]	Type EVS				
5891	17	2.0	102.029	10089	9326	13268	9328	11639	17	2.05E-02	GKS14 - 3A □□□ 112C22 MDFKA□□ 112-22 60
6353	16	1.8	109.896	10867	9326	14290	9328	11784	16	1.98E-02	GKS14 - 3A □□□ 112C22 MDFKA□□ 112-22 60
7175	14	1.6	123.826	12244	9326	16102	9328	11639	14	1.98E-02	GKS14 - 3A □□□ 112C22 MDFKA□□ 112-22 60
10874	9.2	1.1	186.572	17414	9326	17414	9328	11609	9.2	2.02E-02	GKS14 - 3A □□□ 112C22 MDFKA□□ 112-22 60
832	211	5.1	16.646	1703	9328	2112	9330	5932	99	3.78E-02	GKS14 - 3A □□□ 112C22 MDFKA□□ 112-22 120
918	192	4.8	18.311	1873	9328	2324	9330	6158	92	3.53E-02	GKS14 - 3A □□□ 112C22 MDFKA□□ 112-22 120
1234	143	5.1	24.696	2526	9328	3134	9330	8801	67	3.63E-02	GKS14 - 3A □□□ 112C22 MDFKA□□ 112-22 120
1362	130	4.8	27.165	2779	9328	3447	9330	9135	62	3.39E-02	GKS14 - 3A □□□ 112C22 MDFKA□□ 112-22 120
1536	115	4.8	30.609	3131	9328	3884	9330	10132	55	3.36E-02	GKS14 - 3A □□□ 112C22 MDFKA□□ 112-22 120
1752	101	4.2	34.692	3549	9328	4402	9330	10019	55	2.91E-02	GKS14 - 3A □□□ 112C22 MDFKA□□ 112-22 120
1977	90	4.0	39.089	3999	9328	4961	9330	10937	48	2.89E-02	GKS14 - 3A □□□ 112C22 MDFKA□□ 112-22 120
2148	83	4.2	42.531	4351	9328	5397	9330	10787	47	2.62E-02	GKS14 - 3A □□□ 112C22 MDFKA□□ 112-22 120
2429	73	3.8	47.923	4903	9328	6082	9330	11261	42	2.61E-02	GKS14 - 3A □□□ 112C22 MDFKA□□ 112-22 120
2866	63	3.4	56.251	5755	9328	7138	9330	11522	36	2.34E-02	GKS14 - 3A □□□ 112C22 MDFKA□□ 112-22 120
3243	56	3.0	63.382	6484	9328	8043	9330	11477	32	2.34E-02	GKS14 - 3A □□□ 112C22 MDFKA□□ 112-22 120
3537	51	2.7	68.942	7053	9328	8749	9330	11454	29	2.19E-02	GKS14 - 3A □□□ 112C22 MDFKA□□ 112-22 120
3997	45	2.4	77.681	7947	9328	9858	9330	11520	26	2.18E-02	GKS14 - 3A □□□ 112C22 MDFKA□□ 112-22 120
4677	39	2.1	90.551	9263	9328	11491	9330	11488	22	2.05E-02	GKS14 - 3A □□□ 112C22 MDFKA□□ 112-22 120
5282	35	1.9	102.029	10438	9328	12948	9330	11639	20	2.05E-02	GKS14 - 3A □□□ 112C22 MDFKA□□ 112-22 120
5696	32	1.8	109.896	11242	9328	13946	9330	11784	18	1.98E-02	GKS14 - 3A □□□ 112C22 MDFKA□□ 112-22 120
6421	28	1.7	123.826	12667	9328	15714	9330	11639	16	1.98E-02	GKS14 - 3A □□□ 112C22 MDFKA□□ 112-22 120
9734	19	1.1	186.572	17414	9328	17414	9330	11609	11	2.02E-02	GKS14 - 3A □□□ 112C22 MDFKA□□ 112-22 120
1894	9.2	5.8	178.072	4922	9324	3575	9324	11477	9.2	3.55E-03	GKS14 - 4A □□□ 080C22 MDFKA□□ 080-22 60
3521	5.1	3.2	321.729	8892	9324	6459	9324	11454	5.1	2.56E-03	GKS14 - 4A □□□ 080C22 MDFKA□□ 080-22 60
3982	4.5	2.8	362.512	10019	9324	7277	9324	11520	4.5	2.56E-03	GKS14 - 4A □□□ 080C22 MDFKA□□ 080-22 60
4302	4.2	2.6	390.671	10797	9324	7843	9324	11454	4.2	2.39E-03	GKS14 - 4A □□□ 080C22 MDFKA□□ 080-22 60
4862	3.7	2.3	440.193	12166	9324	8837	9324	11520	3.7	2.39E-03	GKS14 - 4A □□□ 080C22 MDFKA□□ 080-22 60
5688	3.2	2.0	513.121	14182	9324	10301	9324	11488	3.2	2.35E-03	GKS14 - 4A □□□ 080C22 MDFKA□□ 080-22 60
6423	2.8	1.8	578.164	15979	9324	11607	9324	11639	2.8	2.35E-03	GKS14 - 4A □□□ 080C22 MDFKA□□ 080-22 60
6929	2.6	1.6	622.742	17211	9324	12502	9324	11488	2.6	2.33E-03	GKS14 - 4A □□□ 080C22 MDFKA□□ 080-22 60
7822	2.3	1.5	701.681	17459	9324	14086	9324	11639	2.3	2.33E-03	GKS14 - 4A □□□ 080C22 MDFKA□□ 080-22 60
9003	2.0	1.3	805.901	17232	9324	16178	9324	11488	2.0	2.18E-03	GKS14 - 4A □□□ 080C22 MDFKA□□ 080-22 60
10159	1.8	1.1	908.058	17459	9324	17459	9324	11639	1.8	2.18E-03	GKS14 - 4A □□□ 080C22 MDFKA□□ 080-22 60
10953	1.7	1.0	978.071	17232	9324	17232	9324	11488	1.7	2.11E-03	GKS14 - 4A □□□ 080C22 MDFKA□□ 080-22 60

Observe the notes for thermal dimensioning.

Selection tables - Helical-bevel gearboxes

Forced ventilated asynchronous geared servo motors



M ₂ [Nm]	n _{2 trans} [rpm]	c	i	M _{2 max} short-time on geared motor at				M _{2 Gr} gearbox c=1 n ₁ ≤ 1400 rpm [Nm]	n _{2 therm} [rpm]	J _{GM} referred to motor shaft [kgm ²]	Helical-bevel geared servo motor Dimensions on Page 6-88
				8 kHz		16 kHz					
				M _{2 max} [Nm]	Type EVS	M _{2 max} [Nm]	Type EVS				
3162	11	3.4	321.729	8802	9325	6369	9325	11454	11	2.56E-03	GKS14 - 4A □□□ 080C22 MDFKA□□ 080-22 120
3577	9.5	3.0	362.512	9918	9325	7176	9325	11520	9.5	2.56E-03	GKS14 - 4A □□□ 080C22 MDFKA□□ 080-22 120
3865	8.8	2.8	390.671	10688	9325	7733	9325	11454	8.8	2.39E-03	GKS14 - 4A □□□ 080C22 MDFKA□□ 080-22 120
4369	7.9	2.5	440.193	12043	9325	8714	9325	11520	7.9	2.39E-03	GKS14 - 4A □□□ 080C22 MDFKA□□ 080-22 120
5112	6.7	2.1	513.121	14038	9325	10157	9325	11488	6.7	2.35E-03	GKS14 - 4A □□□ 080C22 MDFKA□□ 080-22 120
5774	6.0	1.9	578.164	15817	9325	11445	9325	11639	6.0	2.35E-03	GKS14 - 4A □□□ 080C22 MDFKA□□ 080-22 120
6230	5.6	1.7	622.742	17037	9325	12327	9325	11488	5.6	2.33E-03	GKS14 - 4A □□□ 080C22 MDFKA□□ 080-22 120
7033	4.9	1.6	701.681	17459	9325	13890	9325	11639	4.9	2.33E-03	GKS14 - 4A □□□ 080C22 MDFKA□□ 080-22 120
8096	4.3	1.3	805.901	17232	9325	15953	9325	11488	4.3	2.18E-03	GKS14 - 4A □□□ 080C22 MDFKA□□ 080-22 120
9136	3.8	1.2	908.058	17459	9325	17459	9325	11639	3.8	2.18E-03	GKS14 - 4A □□□ 080C22 MDFKA□□ 080-22 120
9851	3.5	1.1	978.071	17232	9325	17232	9325	11488	3.5	2.11E-03	GKS14 - 4A □□□ 080C22 MDFKA□□ 080-22 120
1886	17	4.3	97.467	5206	9325	3822	9325	8508	17	5.95E-03	GKS14 - 4A □□□ 090C22 MDFKA□□ 090-22 60
2126	15	4.3	109.822	5865	9325	4307	9325	9586	15	5.92E-03	GKS14 - 4A □□□ 090C22 MDFKA□□ 090-22 60
2313	14	4.3	119.493	6382	9325	4686	9325	10431	14	5.59E-03	GKS14 - 4A □□□ 090C22 MDFKA□□ 090-22 60
2611	12	4.2	134.640	7191	9325	5280	9325	11261	12	5.58E-03	GKS14 - 4A □□□ 090C22 MDFKA□□ 090-22 60
3083	11	3.6	158.039	8441	9325	6198	9325	11522	11	5.24E-03	GKS14 - 4A □□□ 090C22 MDFKA□□ 090-22 60
3490	9.4	3.2	178.072	9511	9325	6983	9325	11477	9.4	5.23E-03	GKS14 - 4A □□□ 090C22 MDFKA□□ 090-22 60
3808	8.7	3.0	193.754	10348	9325	7598	9325	11522	8.7	4.81E-03	GKS14 - 4A □□□ 090C22 MDFKA□□ 090-22 60
4307	7.7	2.6	218.315	11660	9325	8561	9325	11477	7.7	4.80E-03	GKS14 - 4A □□□ 090C22 MDFKA□□ 090-22 60
4696	7.1	2.4	237.467	12683	9325	9313	9325	11454	7.1	4.69E-03	GKS14 - 4A □□□ 090C22 MDFKA□□ 090-22 60
5306	6.3	2.1	267.568	14290	9325	10493	9325	11520	6.3	4.68E-03	GKS14 - 4A □□□ 090C22 MDFKA□□ 090-22 60
6405	5.2	1.8	321.729	17181	9325	12617	9325	11454	5.2	4.24E-03	GKS14 - 4A □□□ 090C22 MDFKA□□ 090-22 60
7232	4.6	1.6	362.512	17280	9325	14216	9325	11520	4.6	4.24E-03	GKS14 - 4A □□□ 090C22 MDFKA□□ 090-22 60
7804	4.3	1.5	390.671	17181	9325	15321	9325	11454	4.3	4.07E-03	GKS14 - 4A □□□ 090C22 MDFKA□□ 090-22 60
8808	3.8	1.3	440.193	17280	9325	17263	9325	11520	3.8	4.07E-03	GKS14 - 4A □□□ 090C22 MDFKA□□ 090-22 60
10288	3.3	1.1	513.121	17232	9325	17232	9325	11488	3.3	4.03E-03	GKS14 - 4A □□□ 090C22 MDFKA□□ 090-22 60
11606	2.9	1.0	578.164	17459	9325	17459	9325	11639	2.9	4.03E-03	GKS14 - 4A □□□ 090C22 MDFKA□□ 090-22 60
1669	36	4.2	97.467	4614	9326	4059	9327	8508	32	5.95E-03	GKS14 - 4A □□□ 090C22 MDFKA□□ 090-22 120
1881	32	4.2	109.822	5199	9326	4573	9327	9586	28	5.92E-03	GKS14 - 4A □□□ 090C22 MDFKA□□ 090-22 120
2036	29	4.7	119.493	5657	9326	4976	9327	10431	26	5.59E-03	GKS14 - 4A □□□ 090C22 MDFKA□□ 090-22 120
2299	26	4.5	134.640	6374	9326	5607	9327	11261	23	5.58E-03	GKS14 - 4A □□□ 090C22 MDFKA□□ 090-22 120
2716	22	3.9	158.039	7482	9326	6581	9327	11522	20	5.24E-03	GKS14 - 4A □□□ 090C22 MDFKA□□ 090-22 120
3076	20	3.5	178.072	8430	9326	7416	9327	11477	17	5.23E-03	GKS14 - 4A □□□ 090C22 MDFKA□□ 090-22 120
3357	18	3.2	193.754	9172	9326	8069	9327	11522	16	4.81E-03	GKS14 - 4A □□□ 090C22 MDFKA□□ 090-22 120

Observe the notes for thermal dimensioning.

Selection tables - Helical-bevel gearboxes

Forced ventilated asynchronous geared servo motors

M ₂ [Nm]	n ₂ trans [rpm]	c	i	M ₂ max short-time on geared motor at				M ₂ Gr gearbox c=1 n ₁ ≤ 1400 rpm [Nm]	n ₂ therm [rpm]	J _{GM} referred to motor shaft [kgm ²]	Helical-bevel geared servo motor Dimensions on Page 6-88
				8 kHz		16 kHz					
				M ₂ max [Nm]	Type EVS	M ₂ max [Nm]	Type EVS				
3798	16	2.8	218.315	10335	9326	9091	9327	11477	14	4.80E-03	GKS14 - 4A □□□ 090C22 MDFKA□□ 090-22 120
4141	15	2.6	237.467	11242	9326	9889	9327	11454	13	4.69E-03	GKS14 - 4A □□□ 090C22 MDFKA□□ 090-22 120
4680	13	2.3	267.568	12667	9326	11143	9327	11520	12	4.68E-03	GKS14 - 4A □□□ 090C22 MDFKA□□ 090-22 120
5652	11	1.9	321.729	15231	9326	13398	9327	11454	9.7	4.24E-03	GKS14 - 4A □□□ 090C22 MDFKA□□ 090-22 120
6383	9.6	1.7	362.512	17161	9326	15096	9327	11520	8.6	4.24E-03	GKS14 - 4A □□□ 090C22 MDFKA□□ 090-22 120
6888	8.9	1.6	390.671	17181	9326	16269	9327	11454	8.0	4.07E-03	GKS14 - 4A □□□ 090C22 MDFKA□□ 090-22 120
7775	7.9	1.4	440.193	17280	9326	17280	9327	11520	7.1	4.07E-03	GKS14 - 4A □□□ 090C22 MDFKA□□ 090-22 120
9083	6.8	1.2	513.121	17232	9326	17232	9327	11488	6.1	4.03E-03	GKS14 - 4A □□□ 090C22 MDFKA□□ 090-22 120
10248	6.0	1.1	578.164	17459	9326	17459	9327	11639	5.4	4.03E-03	GKS14 - 4A □□□ 090C22 MDFKA□□ 090-22 120
3232	17	3.0	97.467	4559	9325	5506	9326	10019	17	9.55E-03	GKS14 - 4A □□□ 100C22 MDFKA□□ 100-22 60
3645	15	2.9	109.822	5137	9325	6204	9326	10937	15	9.52E-03	GKS14 - 4A □□□ 100C22 MDFKA□□ 100-22 60
3978	14	2.7	119.493	5590	9325	6750	9326	10787	14	9.19E-03	GKS14 - 4A □□□ 100C22 MDFKA□□ 100-22 60
4492	13	2.5	134.640	6298	9325	7606	9326	11261	13	9.18E-03	GKS14 - 4A □□□ 100C22 MDFKA□□ 100-22 60
5291	11	2.2	158.039	7393	9325	8928	9326	11522	11	8.84E-03	GKS14 - 4A □□□ 100C22 MDFKA□□ 100-22 60
5977	9.6	1.9	178.072	8330	9325	10059	9326	11477	9.6	8.83E-03	GKS14 - 4A □□□ 100C22 MDFKA□□ 100-22 60
6514	8.8	1.8	193.754	9064	9325	10945	9326	11522	8.8	8.41E-03	GKS14 - 4A □□□ 100C22 MDFKA□□ 100-22 60
7356	7.8	1.6	218.315	10213	9325	12333	9326	11477	7.8	8.40E-03	GKS14 - 4A □□□ 100C22 MDFKA□□ 100-22 60
8012	7.2	1.4	237.467	11109	9325	13414	9326	11454	7.2	8.29E-03	GKS14 - 4A □□□ 100C22 MDFKA□□ 100-22 60
9043	6.4	1.3	267.568	12517	9325	15115	9326	11520	6.4	8.28E-03	GKS14 - 4A □□□ 100C22 MDFKA□□ 100-22 60
10899	5.3	1.1	321.729	15050	9325	17181	9326	11454	5.3	7.84E-03	GKS14 - 4A □□□ 100C22 MDFKA□□ 100-22 60
3219	36	2.6	97.467	6152	9327	5824	9328	10019	25	9.55E-03	GKS14 - 4A □□□ 100C22 MDFKA□□ 100-22 120
3631	32	2.5	109.822	6932	9327	6563	9328	10937	22	9.52E-03	GKS14 - 4A □□□ 100C22 MDFKA□□ 100-22 120
3950	29	2.5	119.493	7542	9327	7141	9328	10787	20	9.19E-03	GKS14 - 4A □□□ 100C22 MDFKA□□ 100-22 120
4460	26	2.4	134.640	8498	9327	8046	9328	11261	18	9.18E-03	GKS14 - 4A □□□ 100C22 MDFKA□□ 100-22 120
5252	22	2.1	158.039	9975	9327	9444	9328	11522	15	8.84E-03	GKS14 - 4A □□□ 100C22 MDFKA□□ 100-22 120
5933	20	1.8	178.072	11240	9327	10641	9328	11477	14	8.83E-03	GKS14 - 4A □□□ 100C22 MDFKA□□ 100-22 120
6465	18	1.7	193.754	12230	9327	11578	9328	11522	13	8.41E-03	GKS14 - 4A □□□ 100C22 MDFKA□□ 100-22 120
7300	16	1.5	218.315	13780	9327	13046	9328	11477	11	8.40E-03	GKS14 - 4A □□□ 100C22 MDFKA□□ 100-22 120
7951	15	1.4	237.467	14989	9327	14191	9328	11454	10	8.29E-03	GKS14 - 4A □□□ 100C22 MDFKA□□ 100-22 120
8973	13	1.2	267.568	16889	9327	15989	9328	11520	9.2	8.28E-03	GKS14 - 4A □□□ 100C22 MDFKA□□ 100-22 120
10814	11	1.0	321.729	17181	9327	17181	9328	11454	7.6	7.84E-03	GKS14 - 4A □□□ 100C22 MDFKA□□ 100-22 120
5540	18	1.8	97.467	9474	9326	12459	9328	10019	18	2.03E-02	GKS14 - 4A □□□ 112C22 MDFKA□□ 112-22 60
6246	16	1.7	109.822	10675	9326	14038	9328	10937	16	2.03E-02	GKS14 - 4A □□□ 112C22 MDFKA□□ 112-22 60
6808	14	1.6	119.493	11615	9326	15274	9328	10787	14	2.00E-02	GKS14 - 4A □□□ 112C22 MDFKA□□ 112-22 60

Observe the notes for thermal dimensioning.

Selection tables - Helical-bevel gearboxes

Forced ventilated asynchronous geared servo motors

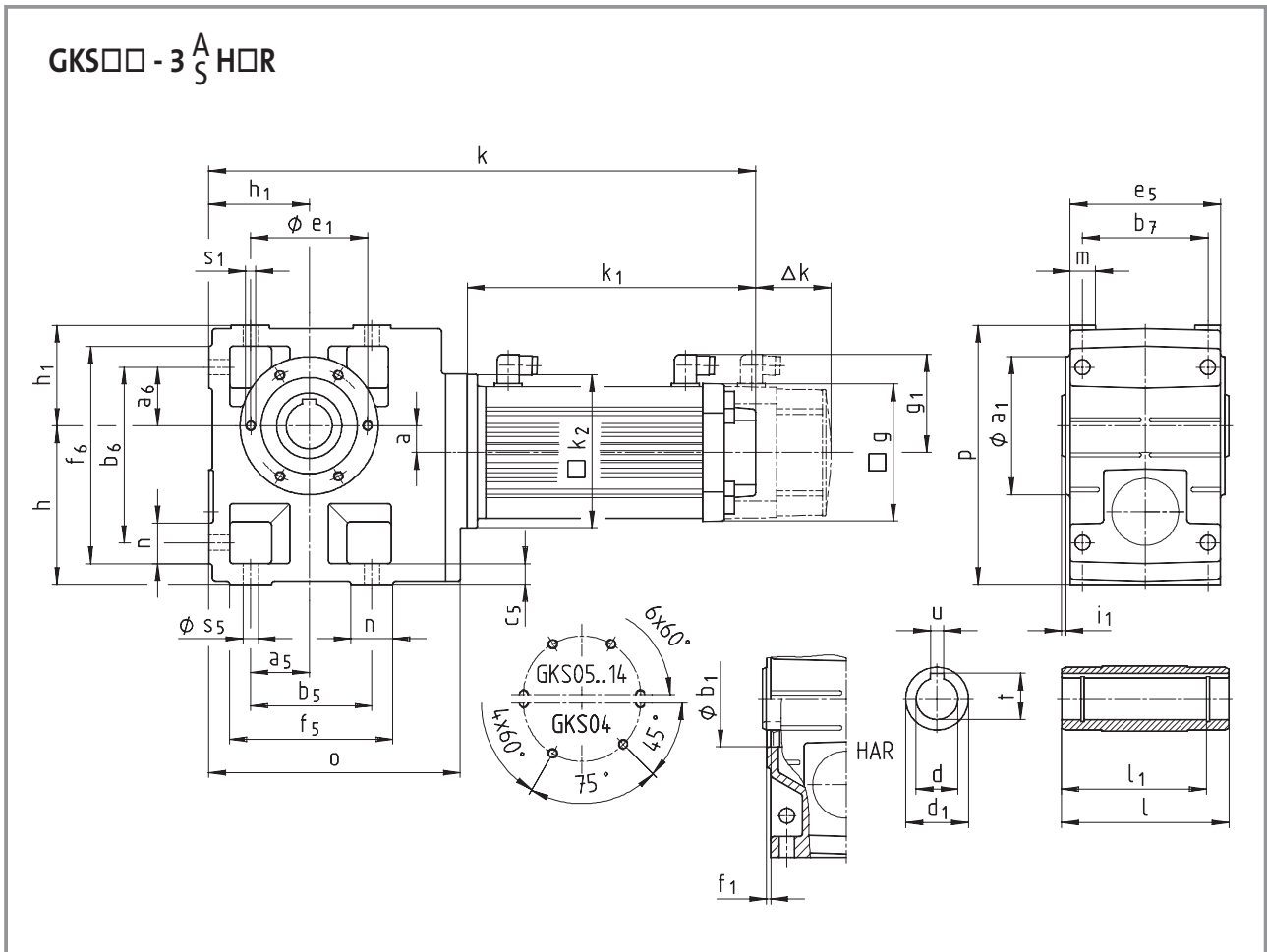


M ₂ [Nm]	n _{2 trans} [rpm]	c	i	M _{2 max} short-time on geared motor at				M _{2 Gr} gearbox c=1 n ₁ ≤ 1400 rpm [Nm]	n _{2 therm} [rpm]	J _{GM} referred to motor shaft [kgm ²]	Helical-bevel geared servo motor Dimensions on Page 6-88
				8 kHz		16 kHz					
				M _{2 max} [Nm]	Type EVS	M _{2 max} [Nm]	Type EVS				
7681	13	1.5	134.640	13087	9326	16892	9328	11261	13	2.00E-02	GKS14 - 4A □□□ 112C22 MDFKA□□ 112-22 60
9034	11	1.3	158.039	15361	9326	17283	9328	11522	11	1.96E-02	GKS14 - 4A □□□ 112C22 MDFKA□□ 112-22 60
10195	9.6	1.1	178.072	17216	9326	17216	9328	11477	9.6	1.96E-02	GKS14 - 4A □□□ 112C22 MDFKA□□ 112-22 60
11104	8.8	1.0	193.754	17283	9326	17283	9328	11522	8.8	1.92E-02	GKS14 - 4A □□□ 112C22 MDFKA□□ 112-22 60
4967	36	1.7	97.467	9801	9328	12158	9330	10019	21	2.03E-02	GKS14 - 4A □□□ 112C22 MDFKA□□ 112-22 120
5600	32	1.7	109.822	11044	9328	13700	9330	10937	18	2.03E-02	GKS14 - 4A □□□ 112C22 MDFKA□□ 112-22 120
6093	29	1.7	119.493	12016	9328	14906	9330	10787	17	2.00E-02	GKS14 - 4A □□□ 112C22 MDFKA□□ 112-22 120
6874	26	1.5	134.640	13540	9328	16796	9330	11261	15	2.00E-02	GKS14 - 4A □□□ 112C22 MDFKA□□ 112-22 120
8086	22	1.3	158.039	15893	9328	17283	9330	11522	13	1.96E-02	GKS14 - 4A □□□ 112C22 MDFKA□□ 112-22 120
9126	20	1.2	178.072	17216	9328	17216	9330	11477	11	1.96E-02	GKS14 - 4A □□□ 112C22 MDFKA□□ 112-22 120
9940	18	1.1	193.754	17283	9328	17283	9330	11522	10	1.92E-02	GKS14 - 4A □□□ 112C22 MDFKA□□ 112-22 120

Observe the notes for thermal dimensioning.

Dimensions - Helical-bevel gearboxes

Geared servo motors with resolver



Dimensions - Helical-bevel gearboxes

Geared servo motors with resolver

Geared servo motor		S (synchronous servo motors)					A (asynchronous servo motors)										
GKS□□ - 3 AS HOR		056		071			056	071	080	090	100	112					
		C23	C33	C03	C13	C33	C22	C22	C22	C22	C22	C22					
Motor	g	102	102	131	131	131	102	131	142	165	192	214					
	g ₁	90	90	102	102	102	90	102	109	118	136	147					
	k ₂	145	145	145	145	145	145	145	180	180	222	265					
	k ₁ naturally ventilated	207	242	215	250	285	258	267	307	346	408	479					
	Δk** forced ventilated+brake	27	27	35	35	35	25	35	33	35	38	42					
	forced ventilated	-	-	68	68	68	-	68	62	89	97	96					
	forced ventilated+brake	-	-	103	103	103	-	103	95	124	135	138					
Gearbox size	Gearbox						Overall length										
	o	l*	p*	h	h ₁	a	k										
04	203	115	171	100	71	20	423	458	432	467	502	475	483				
05	232	140	205	125	80	23	443	478	452	487	522	495	503	553			
06	291	160	250	150	100	28	499	534	508	543	578	551	559	609	648		
07	354	200	310	190	120	34	555	590	564	599	634	607	615	665	704	773	851
09	429	240	386	236	150	41								736	775	844	922
11	527	290	485	300	185	54								827	866	935	1013
14	636	350	605	375	230	67										1034	1112

Gearbox size	Hollow shaft						Pitch circle						Foot											
	d H7	l	d ₁	l ₁	u JS9	t +0.2	a ₁	b ₁ H7	e ₁	f ₁	i ₁	s ₁	a ₅	a ₆	b ₅	b ₆	b ₇	c ₅	e ₅	f ₅	f ₆	n	m	s ₅
04	25 30	115	45	100	8 8	28.3 33.3	105	75	90	3	2.5	M6x12	45	45	110	119	85	14	105	132	141	22	21	9
05	30 35	140	50	124	8 10	33.3 38.3	118	80	100	4	4	M8x15	47.5	47.5	115	140	105	17	127	144	169	29	21	11
06	40 45	160	65	140	12 14	43.3 48.8	140	100	120	4	5	M10x16	60	60	155	170	120	20	145	191	206	36	23	14
07	50 55	200	75	175	14 16	53.8 59.3	165	115	140	5	5	M12x18	70	70	190	210	150	25	180	235	255	45	28	18
09	60 70	240	95	210	18 20	64.4 74.9	205	145	175	6	5	M16x24	90	90	240	266	185	30	222	300	326	60	37	22
11	70 80	290	105	250	20 22	74.9 85.4	240	140	205	6	6	M20x32	105	105	290	325	225	40	270	363	398	73	43	26
14	100	350	135	305	28	106.4	290	170	250	6	7	M24x35	135	135	360	415	275	50	328	442	497	82	52	33

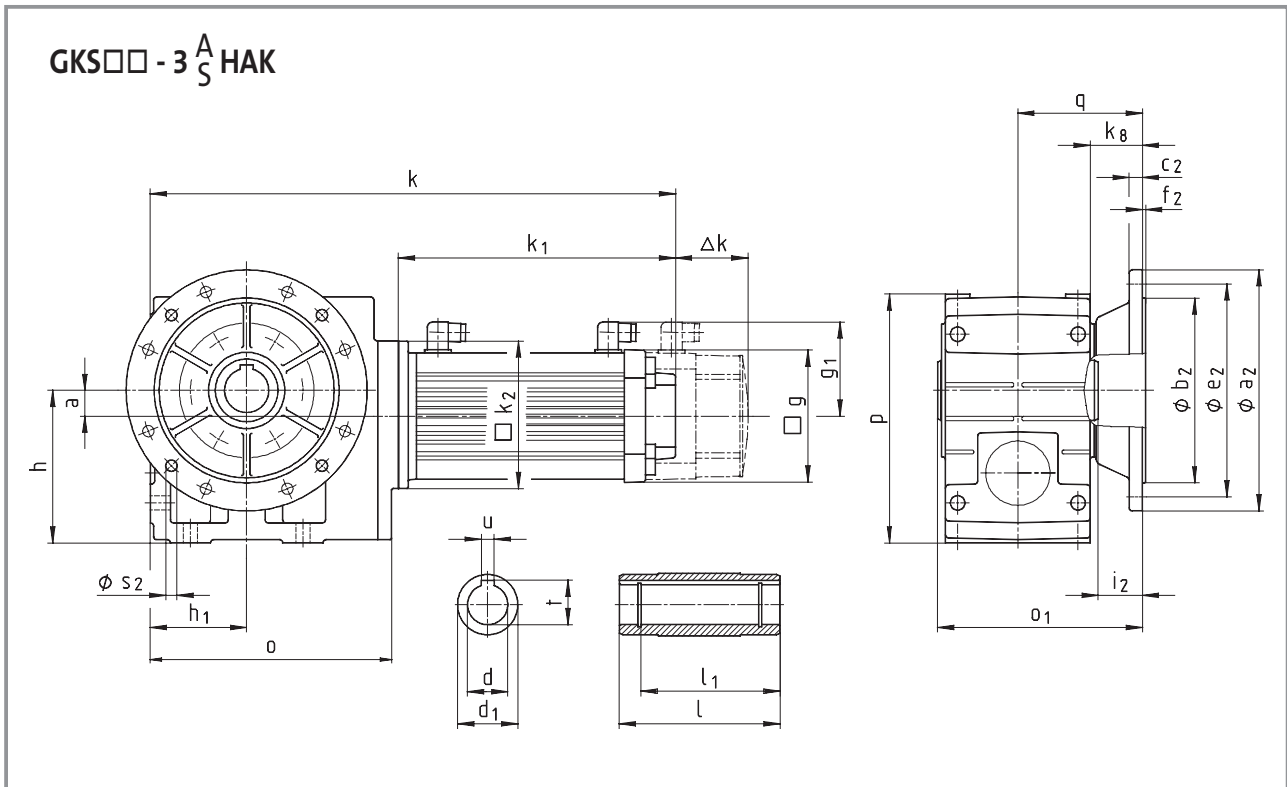
Dimensions in [mm]

* Observe dimension k₂.

** See page 8-34 for more built-on accessories for motors

Dimensions - Helical-bevel gearboxes

Geared servo motors with resolver



Dimensions - Helical-bevel gearboxes

Geared servo motors with resolver

Geared servo motor		S (synchronous servo motors)					A (asynchronous servo motors)												
GKS□□ - 3 A S HAK		056		071			056	071	080	090	100	112							
		C23	C33	C03	C13	C33	C22	C22	C22	C22	C22	C22							
Motor	g	102	102	131	131	131	102	131	142	165	192	214							
	g ₁	90	90	102	102	102	90	102	109	118	136	147							
	k ₂	145	145	145	145	145	145	145	180	180	222	265							
	k ₁ naturally ventilated	207	242	215	250	285	258	267	307	346	408	479							
	Δk** forced ventilated+brake	27	27	35	35	35	25	35	33	35	38	42							
	forced ventilated	-	-	68	68	68	-	68	62	89	97	96							
	forced ventilated+brake	-	-	103	103	103	-	103	95	124	135	138							
Gearbox size	Gearbox								Overall length										
	o	o ₁ *	p*	h	h ₁	a	k _g	q	k										
04	203	148	171	100	71	20	38	90.5	423	458	432	467	502	475	483				
05	232	173	205	125	80	23	40	103	443	478	452	487	522	495	503	553			
06	291	201	250	150	100	28	49	121	499	534	508	543	578	551	559	609	648		
07	354	255	310	190	120	34	65	155	555	590	564	599	634	607	615	665	704	773	851
09	429	300	386	236	150	41	69	180							736	775	844	922	
11	527	350	485	300	185	54	70	205							827	866	935	1013	
14	636	410	605	375	230	67	71	235									1034	1112	

Gearbox size	d H7	l	Hollow shaft				Output flange							
			d ₁	l ₁	u JS9	t +0.2	a ₂	b ₂ j7	c ₂	e ₂	f ₂	i ₂	s ₂	
04	25 30	115	45	100	8 8	28.3 33.3	160	110	10	130	3.5	33	4 x 9	
05	30 35	140	50	124	8 10	33.3 38.3	200	130	12	165	3.5	33	4 x 11	
06	40 45	160	65	140	12 14	43.3 48.8	200 250	130 180	12 15	165 215	3.5 4	42 41	4 x 11 4 x 14	
07	50 55	200	75	175	14 16	53.8 59.3	250 300	180 230	15 17	215 265	4	55	4 x 14	
09	60 70	240	95	210	18 20	64.4 74.9	350	250	18	300	4	60	4 x 17.5	
11	70 80	290	105	250	20 22	74.9 85.4	400 450	300 350	20 22	350 400	5	60	4 x 17.5 8 x 17.5	
14	100	350	135	305	28	106.4	450	350	22	400	5	60	8 x 17.5	

Dimensions in [mm]

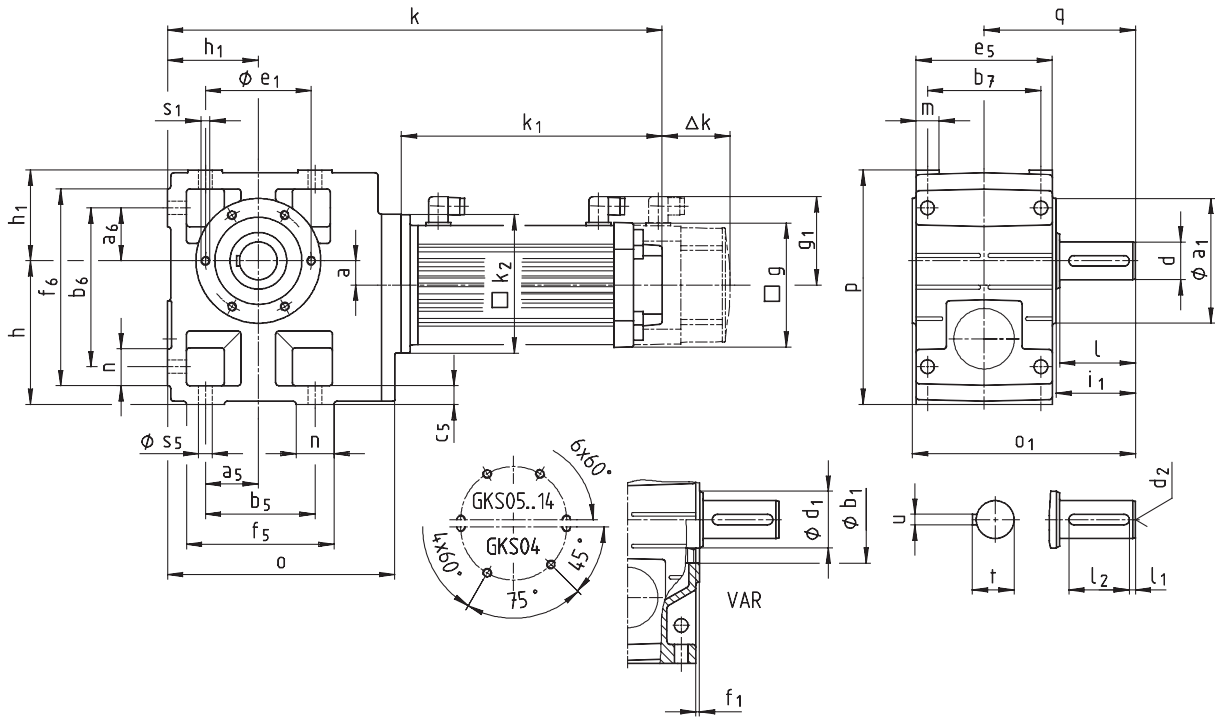
* Observe dimension k₂.

** See page 8-34 for more built-on accessories for motors

Dimensions - Helical-bevel gearboxes

Geared servo motors with resolver

GKS□□ - 3 $\frac{A}{S}$ V□R



Dimensions - Helical-bevel gearboxes

Geared servo motors with resolver

Geared servo motor GKS□□ - 3 A S V□R		S (synchronous servo motors)					A (asynchronous servo motors)											
		056		071			056	071	080	090	100	112						
		C23	C33	C03	C13	C33	C22	C22	C22	C22	C22	C22						
Motor	g	102	102	131	131	131	102	131	142	165	192	214						
	g ₁	90	90	102	102	102	90	102	109	118	136	147						
	k ₂	145	145	145	145	145	145	145	180	180	222	265						
	k ₁ naturally ventilated	207	242	215	250	285	258	267	307	346	408	479						
	Δk** forced ventilated+brake	27	27	35	35	35	25	35	33	35	38	42						
	forced ventilated	-	-	68	68	68	-	68	62	89	97	96						
	forced ventilated+brake	-	-	103	103	103	-	103	95	124	135	138						
Gearbox size	Gearbox							Overall length										
	o	o1*	p*	h	h ₁	a	q	k										
04	203	163	171	100	71	20	107.5	423	458	432	467	502	475	483				
05	232	197	205	125	80	23	130	443	478	452	487	522	495	503	553			
06	291	236	250	150	100	28	160	499	534	508	543	578	551	559	609	648		
07	354	296	310	190	120	34	200	555	590	564	599	634	607	615	665	704	773	851
09	429	356	386	236	150	41	240								736	775	844	922
11	527	445	485	300	185	54	305								827	866	935	1013
14	636	544	605	375	230	67	375										1034	1112

Gearbox size	Solid shaft									Pitch circle					Foot											
	d	l	d ₁	l ₁	l ₂	d ₂	u	t	a ₁	b ₁ H7	e ₁	f ₁	i ₁	s ₁	a ₅	a ₆	b ₅	b ₆	b ₇	c ₅	e ₅	f ₅	f ₆	n	m	s ₅
04	25	50	45	4	40	M10	8	28	105	75	90	3	52.5	M6x12	45	45	110	119	85	14	105	132	141	22	21	9
05	30	60	50	6	45	M10	8	33	118	80	100	4	64	M8x15	47.5	47.5	115	140	105	17	127	144	169	29	21	11
06	40	80	65	7	63	M16	12	43	140	100	120	4	85	M10x16	60	60	155	170	120	20	145	191	206	36	23	14
07	50	100	75	8	80	M16	14	53.5	165	115	140	5	105	M12x18	70	70	190	210	150	25	180	235	255	45	28	18
09	60	120	95	8	100	M20	18	64	205	145	175	6	125	M16x24	90	90	240	266	185	30	222	300	326	60	37	22
11	80	160	105	15	125	M20	22	85	240	140	205	6	166	M20x32	105	105	290	325	225	40	270	363	398	73	43	26
14	100	200	135	18	160	M24	28	106	290	170	250	6	207	M24x35	135	135	360	415	275	50	328	442	497	82	52	33

Dimensions in [mm]

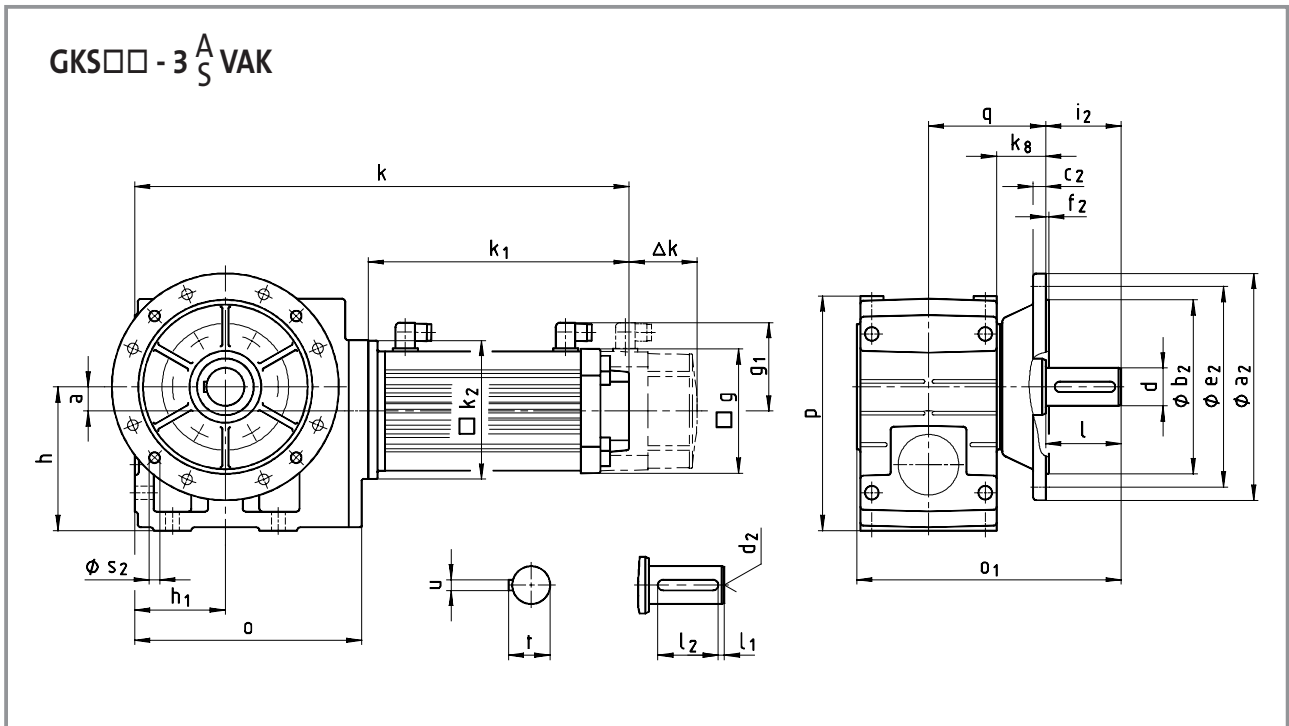
d ≤ 50 mm: k6
d > 50 mm: m6

* Observe dimension k₂

** See page 8-34 for more built-on accessories for motors

Dimensions - Helical-bevel gearboxes

Geared servo motors with resolver



Dimensions - Helical-bevel gearboxes

Geared servo motors with resolver

Geared servo motor GKS□□ - 3 AS VAK		S (synchronous servo motors)					A (asynchronous servo motors)												
		056		071			056	071	080	090	100	112							
		C23	C33	C03	C13	C33	C22	C22	C22	C22	C22	C22							
Motor	g	102	102	131	131	131	102	131	142	165	192	214							
	g ₁	90	90	102	102	102	90	102	109	118	136	147							
	k ₂	145	145	145	145	145	145	145	180	180	222	265							
	k ₁ naturally ventilated	207	242	215	250	285	258	267	307	346	408	479							
	Δk** forced ventilated+brake	27	27	35	35	35	25	35	33	35	38	42							
	forced ventilated	-	-	68	68	68	-	68	62	89	97	96							
	forced ventilated+brake	-	-	103	103	103	-	103	95	124	135	138							
Gearbox size	Gearbox								Overall length										
	o	o ₁ *	p*	h	h ₁	a	k _g	q	k										
04	203	196	171	100	71	20	38	90.5	423	458	432	467	502	475	483				
05	232	230	205	125	80	23	40	103	443	478	452	487	522	495	503	553			
06	291	277	250	150	100	28	49	121	499	534	508	543	578	551	559	609	648		
07	354	351	310	190	120	34	65	155	555	590	564	599	634	607	615	665	704	773	851
09	429	416	386	236	150	41	69	180								736	775	844	922
11	527	505	485	300	185	54	70	205								827	866	935	1013
14	636	604	605	375	230	67	71	235										1034	1112

Gearbox size	d	l	l ₁	Solid shaft				Output flange							
				l ₂	d ₂	u	t	a ₂	b ₂ j7	c ₂	e ₂	f ₂	i ₂	s ₂	
04	25	50	4	40	M10	8	28	160	110	10	130	3.5	50	4 x 9	
05	30	60	6	45	M10	8	33	200	130	12	165	3.5	60	4 x 11	
06	40	80	7	63	M16	12	43	250	180	15	215	4	80	4 x 14	
07	50	100	8	80	M16	14	53.5	250 300	180 230	15 17	215 265	4	100	4 x 14	
09	60	120	8	100	M20	18	64	350	250	18	300	4	120	4 x 17.5	
11	80	160	15	125	M20	22	85	400 450	300 350	20 22	350 400	5	160	4 x 17.5 8 x 17.5	
14	100	200	18	160	M24	28	106	450	350	22	400	5	200	8 x 17.5	

Dimensions in [mm]

d ≤ 50 mm: k6
d > 50 mm: m6

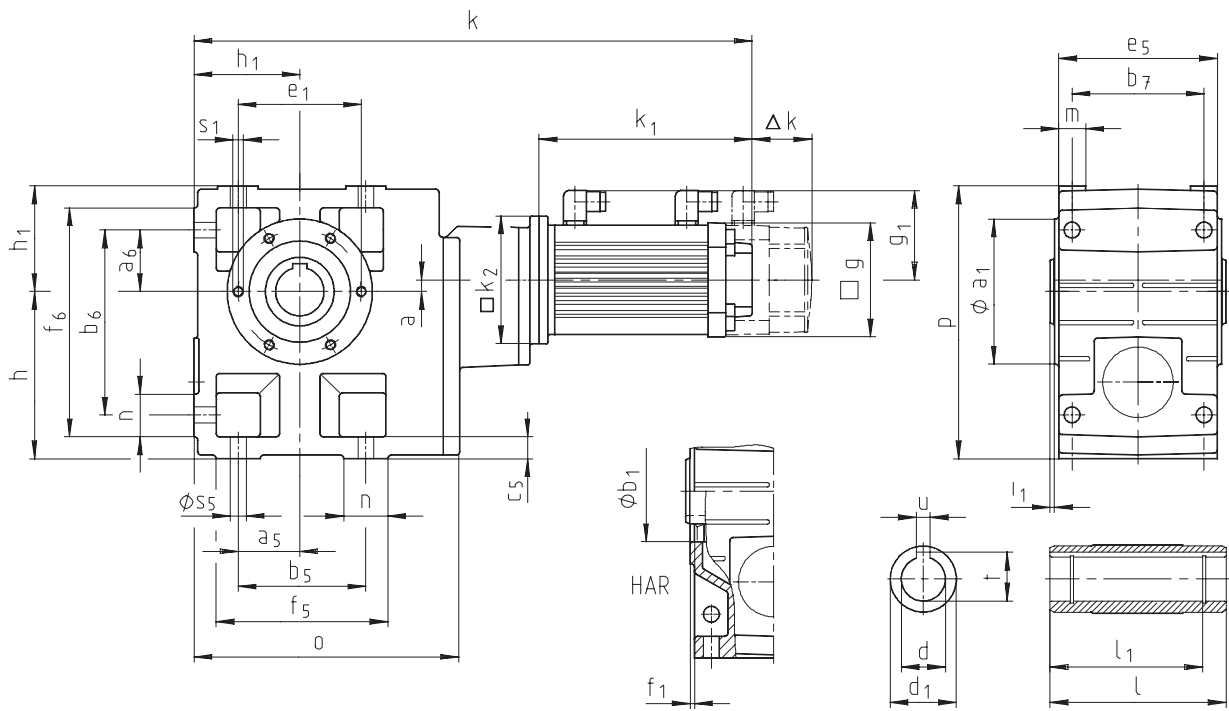
* Observe dimension k₂

** See page 8-34 for more built-on accessories for motors

Dimensions - Helical-bevel gearboxes

Geared servo motors with resolver

GKS□□ - 4 $\frac{A}{S}$ H□R



Dimensions - Helical-bevel gearboxes

Geared servo motors with resolver

Geared servo motor		S (synchronous servo motors)					A (asynchronous servo motors)										
GKS□□ - 4 ^A S H□R		056		071			056	071	080	090	100	112					
		C23	C33	C03	C13	C33	C22	C22	C22	C22	C22	C22					
Motor	g	102	102	131	131	131	102	131	142	165	192	214					
	g ₁	90	90	102	102	102	90	102	109	118	136	147					
	k ₂	145	145	145	145	145	145	145	180	180	222	265					
	k ₁ naturally ventilated	207	242	215	250	285	258	267	307	346	408	479					
	Δk** forced ventilated+brake	27	27	35	35	35	25	35	33	35	38	42					
	forced ventilated	-	-	68	68	68	-	68	62	89	97	96					
	forced ventilated+brake-		-	103	103	103	-	103	95	124	135	138					
Gearbox size	Gearbox						Overall length										
	o	l*	p*	h	h ₁	a	k										
05	226	140	205	125	80	13	520	555	528	563	598	571	580				
06	288	160	250	150	100	8	593	628	601	636	671	644	653				
07	351	200	310	190	120	11	660	695	668	703	738	711	720	770			
09	426	240	386	236	150	15	749	784	757	792	827	800	809	859	898		
11	523	290	485	300	185	16	859	894	867	902	937	910	919	969	1008	1076	1155
14	632	350	605	375	230	22								1102	1141	1209	1288

Gearbox size	Hollow shaft						Pitch circle						Foot											
	d H7	l	d ₁	l ₁	u JS9	t +0.2	a ₁	b ₁ H7	e ₁	f ₁	i ₁	s ₁	a ₅	a ₆	b ₅	b ₆	b ₇	c ₅	e ₅	f ₅	f ₆	n	m	s ₅
05	30 35	140	50	124	8 10	33.3 38.3	118	80	100	4	4	M8x15	47.5	47.5	115	140	105	17	127	144	169	29	21	11
06	40 45	160	65	140	12 14	43.3 48.8	140	100	120	4	5	M10x16	60	60	155	170	120	20	145	191	206	36	23	14
07	50 55	200	75	175	14 16	53.8 59.3	165	115	140	5	5	M12x18	70	70	190	210	150	25	180	235	255	45	28	18
09	60 70	240	95	210	18 20	64.4 74.9	205	145	175	6	5	M16x24	90	90	240	266	185	30	222	300	326	60	37	22
11	70 80	290	105	250	20 22	74.9 85.4	240	140	205	6	6	M20x32	105	105	290	325	225	40	270	363	398	73	43	26
14	100	350	135	305	28	106.4	290	170	250	6	7	M24x35	135	135	360	415	275	50	328	442	497	82	52	33

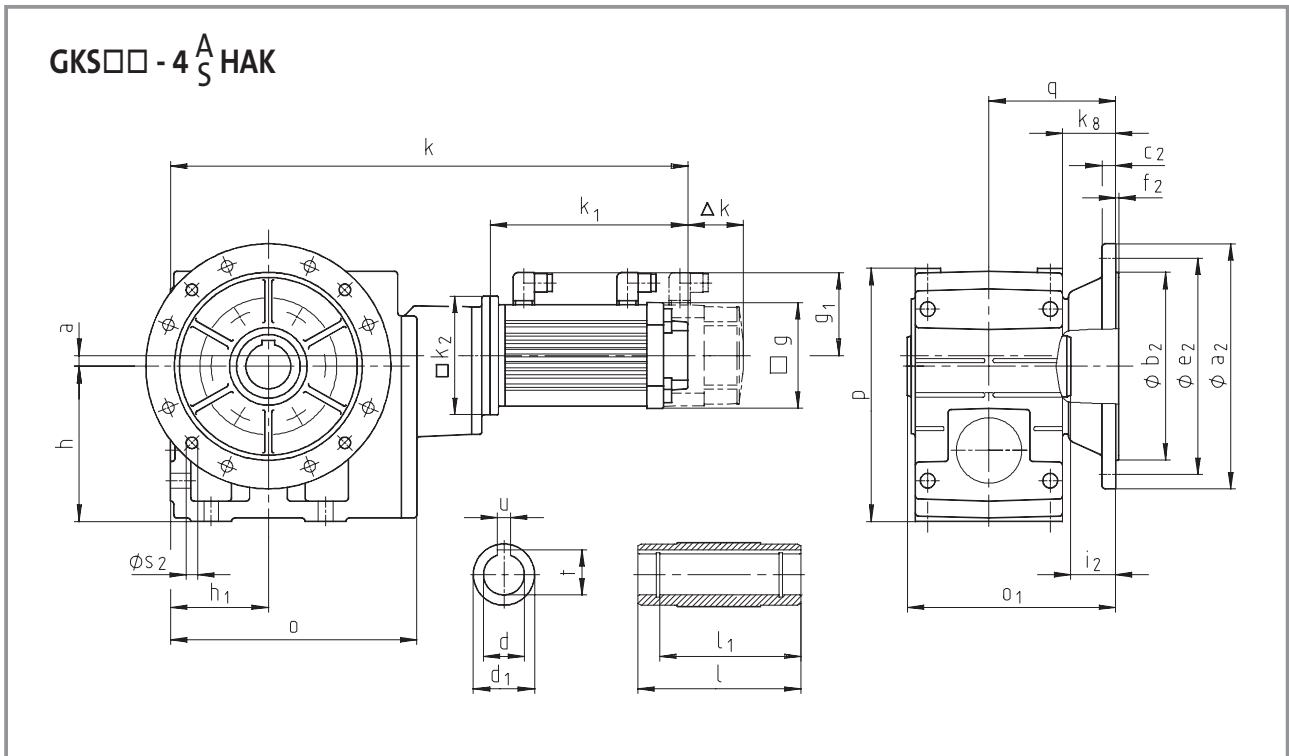
Dimensions in [mm]

* Observe dimension k₂.

** See page 8-34 for more built-on accessories for motors

Dimensions - Helical-bevel gearboxes

Geared servo motors with resolver



Dimensions - Helical-bevel gearboxes

Geared servo motors with resolver

Geared servo motor		S (synchronous servo motors)					A (asynchronous servo motors)												
GKS□□ - 4 S HAK		056		071			056	071	080	090	100	112							
		C23	C33	C03	C13	C33	C22	C22	C22	C22	C22	C22							
Motor	g	102	102	131	131	131	102	131	142	165	192	214							
	g ₁	90	90	102	102	102	90	102	109	118	136	147							
	k ₂	145	145	145	145	145	145	145	180	180	222	265							
	k ₁ naturally ventilated	207	242	215	250	285	258	267	307	346	408	479							
	Δk** forced ventilated+brake	27	27	35	35	35	25	35	33	35	38	42							
	forced ventilated	-	-	68	68	68	-	68	62	89	97	96							
	forced ventilated+brake	-	-	103	103	103	-	103	95	124	135	138							
Gearbox size	Gearbox								Overall length										
	o	o ₁ *	p*	h	h ₁	a	k _g	q	k										
05	226	173	205	125	80	13	40	103	520	555	528	563	598	571	580				
06	288	201	250	150	100	8	49	121	593	628	601	636	671	644	653				
07	351	255	310	190	120	11	65	155	660	695	668	703	738	711	720	770			
09	426	300	386	236	150	15	69	180	749	784	757	792	827	800	809	859	898		
11	523	350	485	300	185	16	70	205	859	894	867	902	937	910	919	969	1008	1076	1155
14	632	410	605	375	230	22	71	235								1102	1141	1209	1288

Gearbox size	Hollow shaft						Output flange						
	d H7	l	d ₁	l ₁	u JS9	t +0.2	a ₂	b ₂ j7	c ₂	e ₂	f ₂	i ₂	s ₂
05	30 35	140	50	124	8 10	33.3 38.3	200	130	12	165	3.5	33	4 x 11
06	40 45	160	65	140	12 14	43.3 48.8	200 250	130 180	12 15	165 215	3.5 4	42 41	4 x 11 4 x 14
07	50 55	200	75	175	14 16	53.8 59.3	250 300	180 230	15 17	215 265	4	55	4 x 14
09	60 70	240	95	210	18 20	64.4 74.9	350	250	18	300	4	60	4 x 17.5
11	70 80	290	105	250	20 22	74.9 85.4	400 450	300 350	20 22	350 400	5	60	4 x 17.5 8 x 17.5
14	100	350	135	305	28	106.4	450	350	22	400	5	60	8 x 17.5

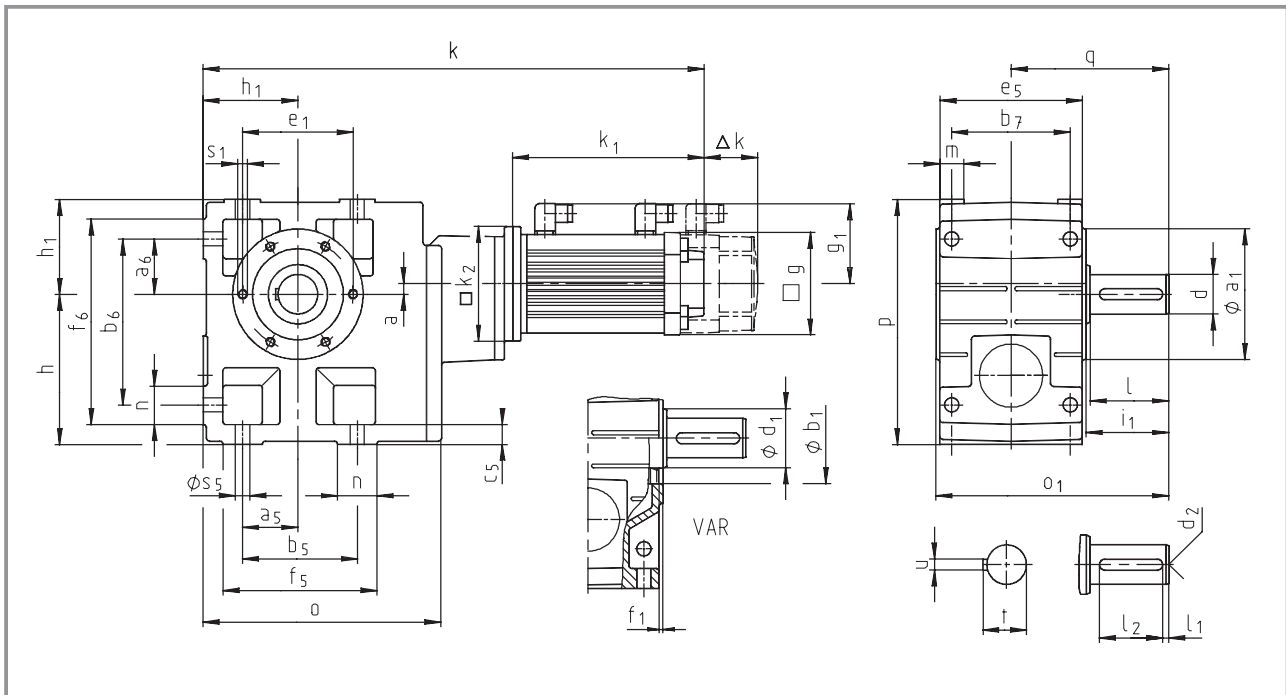
Dimensions in [mm]

* Observe dimension k₂.

** See page 8-34 for more built-on accessories for motors

Dimensions - Helical-bevel gearboxes

Geared servo motors with resolver



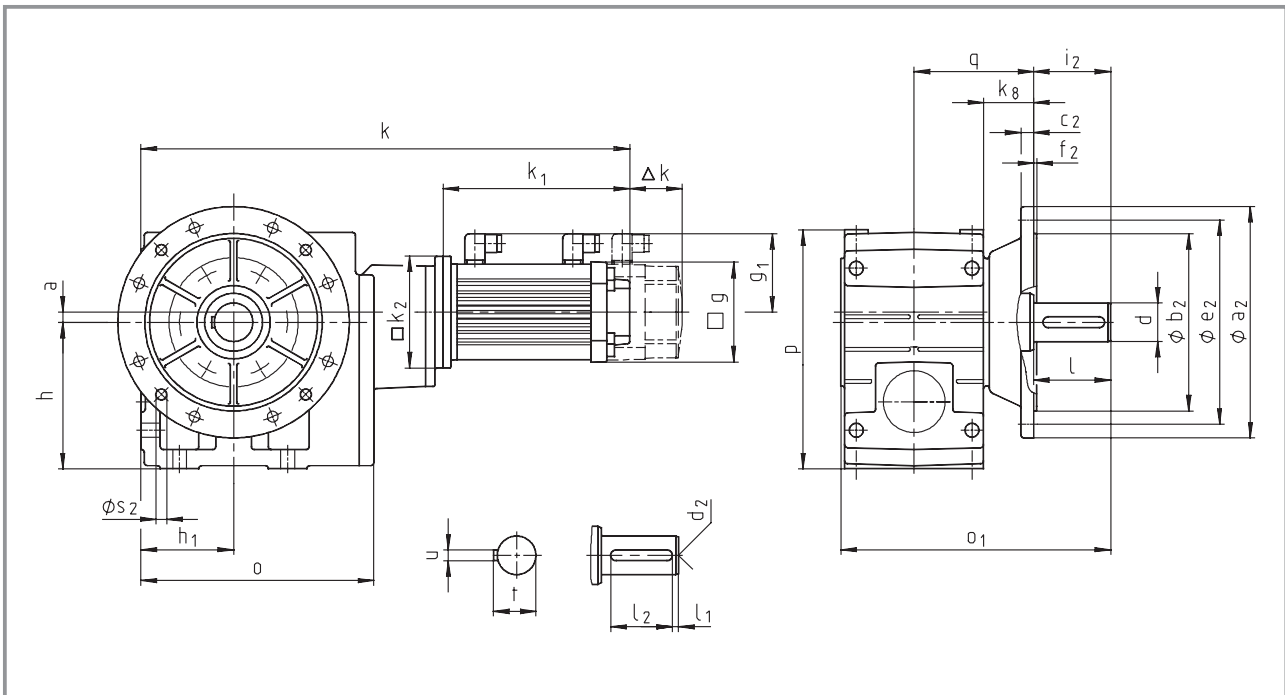
Geared servo motor		S (synchronous servo motors)					A (asynchronous servo motors)																	
GKS□□ - 4 ^A _S VOR		056		071			056	071	080	090	100	112												
		C23	C33	C03	C13	C33	C22	C22	C22	C22	C22	C22												
Motor	g	102	102	131	131	131	102	131	142	165	192	214												
	g ₁	90	90	102	102	102	90	102	109	118	136	147												
	k ₂	145	145	145	145	145	145	145	180	180	222	265												
	k ₁ naturally ventilated	207	242	215	250	285	258	267	307	346	408	479												
	Δk** forced ventilated+brake	27	27	35	35	35	25	35	33	35	38	42												
	forced ventilated	-	-	68	68	68	-	68	62	89	97	96												
	forced ventilated+brake	-	-	103	103	103	-	103	95	124	135	138												
Gearbox size	Gearbox							Overall length k																
	o	o ₁ *	p*	h	h ₁	a	q																	
05	226	197	205	125	80	13	130	520	555	528	563	598	571	580										
06	288	236	250	150	100	8	160	593	628	601	636	671	644	653										
07	351	296	310	190	120	11	200	660	695	668	703	738	711	720	770									
09	426	356	386	236	150	15	240	749	784	757	792	827	800	809	859	898								
11	523	445	485	300	185	16	305	859	894	867	902	937	910	919	969	1008	1076	1155						
14	632	544	605	375	230	22	375								1102	1141	1209	1288						

Gearbox size	Solid shaft								Pitch circle					Foot												
	d	l	d ₁	l ₁	l ₂	d ₂	u	t	a ₁	b ₁ H7	e ₁	f ₁	i ₁	s ₁	a ₅	a ₆	b ₅	b ₆	b ₇	c ₅	e ₅	f ₅	f ₆	n	m	s ₅
05	30	60	50	6	45	M10	8	33	118	80	100	4	64	M8x15	47.5	47.5	115	140	105	17	127	144	169	29	21	11
06	40	80	65	7	63	M16	12	43	140	100	120	4	85	M10x16	60	60	155	170	120	20	145	191	206	36	23	14
07	50	100	75	8	80	M16	14	53.5	165	115	140	5	105	M12x18	70	70	190	210	150	25	180	235	255	45	28	18
09	60	120	95	8	100	M20	18	64	205	145	175	6	125	M16x24	90	90	240	266	185	30	222	300	326	60	37	22
11	80	160	105	15	125	M20	22	85	240	140	205	6	166	M20x32	105	105	290	325	225	40	270	363	398	73	43	26
14	100	200	135	18	160	M24	28	106	290	170	250	6	207	M24x35	135	135	360	415	275	50	328	442	497	82	52	33

Dimensions in [mm] d ≤ 50 mm: k6 * Observe dimension k₂
 d > 50 mm: m6 ** See page 8-34 for more built-on accessories for motors

Dimensions - Helical-bevel gearboxes

Geared servo motors with resolver



Geared servo motor		S (synchronous servo motors)					A (asynchronous servo motors)												
GKS□□ - 4^A_S VAK		056		071			056	071	080	090	100	112							
		C23	C33	C03	C13	C33	C22	C22	C22	C22	C22	C22							
Motor	g	102	102	131	131	131	102	131	142	165	192	214							
	g₁	90	90	102	102	102	90	102	109	118	136	147							
	k₂	145	145	145	145	145	145	145	180	180	222	265							
	k₁ naturally ventilated	207	242	215	250	285	258	267	307	346	408	479							
	Δk** forced ventilated+brake	27	27	35	35	35	25	35	33	35	38	42							
	forced ventilated	-	-	68	68	68	-	68	62	89	97	96							
	forced ventilated+brake	-	-	103	103	103	-	103	95	124	135	138							
Gearbox size	Gearbox								Overall length										
	o	o ₁ *	p*	h	h ₁	a	k ₈	q	k										
05	226	230	205	125	80	13	40	103	520	555	528	563	598	571	580				
06	288	277	250	150	100	8	49	121	593	628	601	636	671	644	653				
07	351	351	310	190	120	11	65	155	660	695	668	703	738	711	720	770			
09	426	416	386	236	150	15	69	180	749	784	757	792	827	800	809	859	898		
11	523	505	485	300	185	16	70	205	859	894	867	902	937	910	919	969	1008	1076	1155
14	632	604	605	375	230	22	71	235								1102	1141	1209	1288

Gearbox size	Solid shaft							Output flange							
	d	l	l ₁	l ₂	d ₂	u	t	a ₂	b ₂ j7	c ₂	e ₂	f ₂	i ₂	s ₂	
05	30	60	6	45	M10	8	33	200	130	12	165	3.5	60	4 x 11	
06	40	80	7	63	M16	12	43	250	180	15	215	4	80	4 x 14	
07	50	100	8	80	M16	14	53.5	250 300	180 230	15 17	215 265	4	100	4 x 14	
09	60	120	8	100	M20	18	64	350	250	18	300	4	120	4 x 17.5	
11	80	160	15	125	M20	22	85	400 450	300 350	20 22	350 400	5	160	4 x 17.5 8 x 17.5	
14	100	200	18	160	M24	28	106	450	350	22	400	5	200	8 x 17.5	

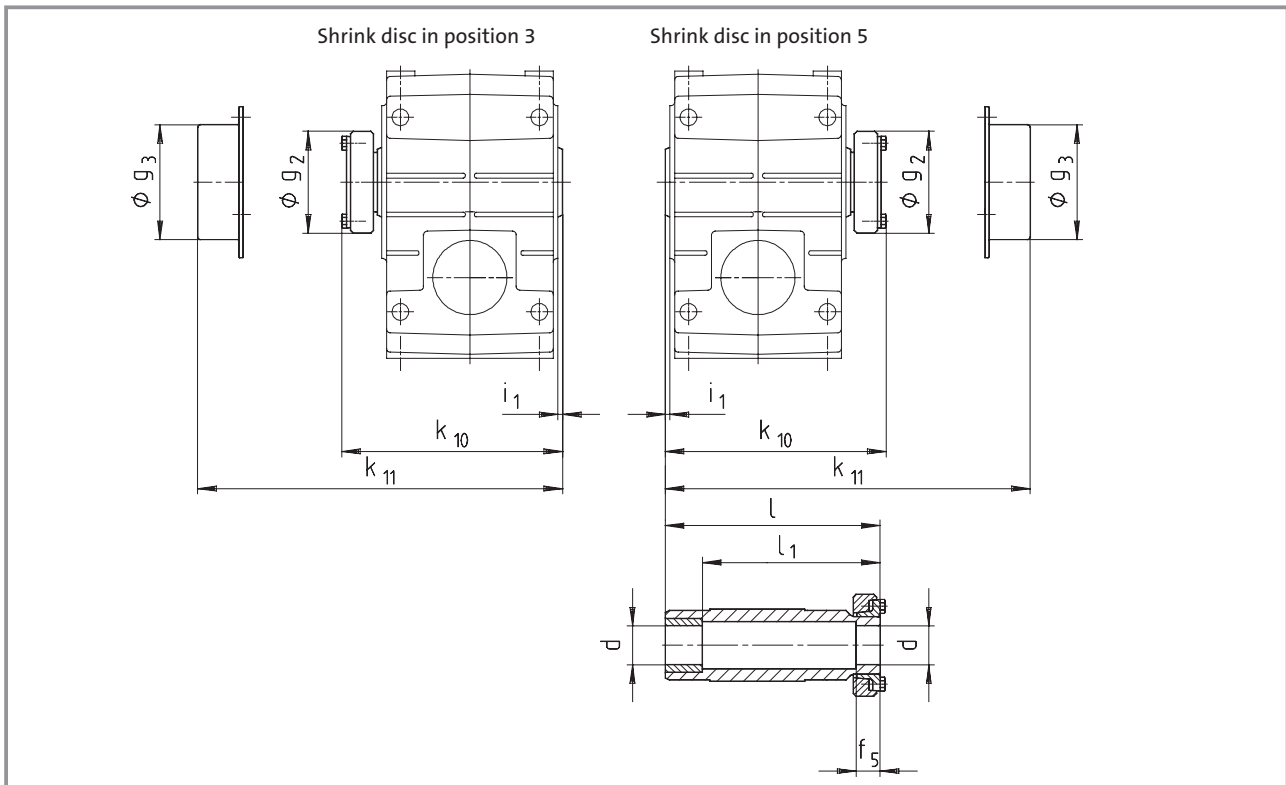
Dimensions in [mm]

d ≤ 50 mm: k6
d > 50 mm: m6

* Observe dimension k₂

** See page 8-34 for more built-on accessories for motors

Hollow shaft with Shrink disc

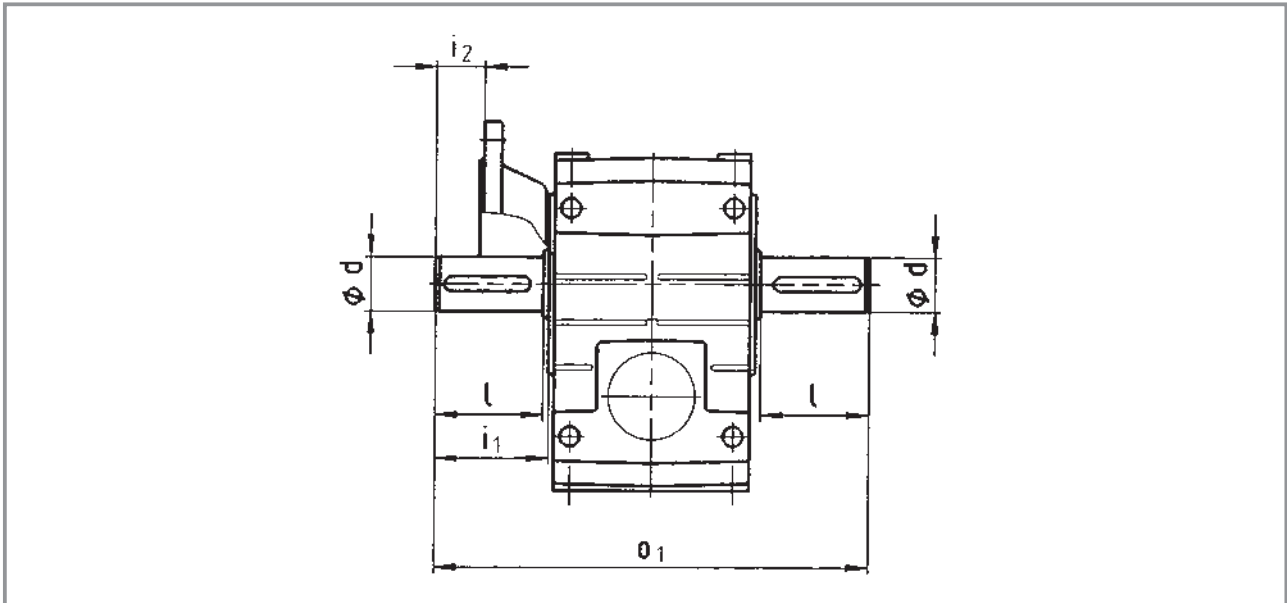


Gearbox size	Machine shaft *		Hollow shaft with shrink disc						Cover	
	d	Fit	i_1	g_2	k_{10}	l	l_1	f_5	g_3	k_{11}
04	25	h6	2.5	72	147.5	142	122	26	79	154
	30									
05	35	h6	4	80	173.5	168	148	28	90	179
06	40	h6	5	90	199.5	194	164	30	100	204
07	50	h6	5	110	237.5	232	192	26	124	244
09	65	h6	5	141	285	278	228	30	159	287
11	80	h6	6	170	344	338	238	42	191	349
14	100	h6	7	215	415	407	307	55	253	421

Dimensions in [mm]

*Ensure that the strength of the shaft material is adequate in shrink disc designs. When using typical steels (e.g. C45, 42CrMo4), the torques listed in the selection tables can be used without restriction. When using material that is considerably weaker, please consult with us. Medium surface roughness R_z must not exceed $15 \mu\text{m}$ (turning operation is sufficient).

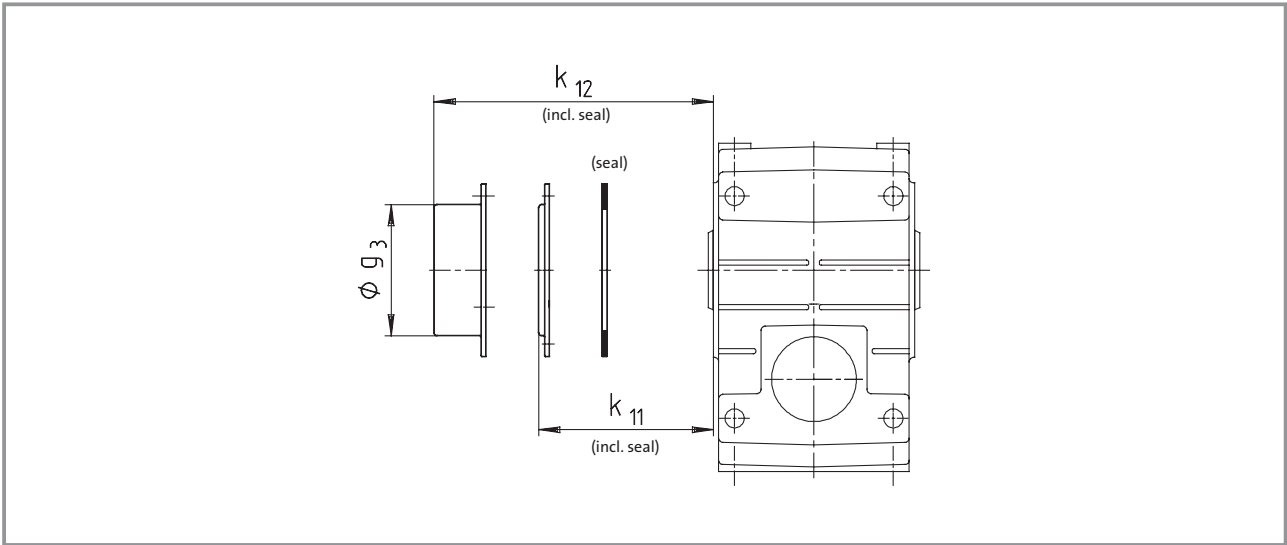
Gearbox with 2nd output shaft end



Gearbox size	d	l	i ₁	i ₂	o ₁
04	25	50	52.5	17	215
05	30	60	64	27	260
06	40	80	85	39	320
07	50	100	105	45	400
09	60	120	125	60	480
11	80	160	166	100	610
14	100	200	207	140	750

Dimensions in [mm]

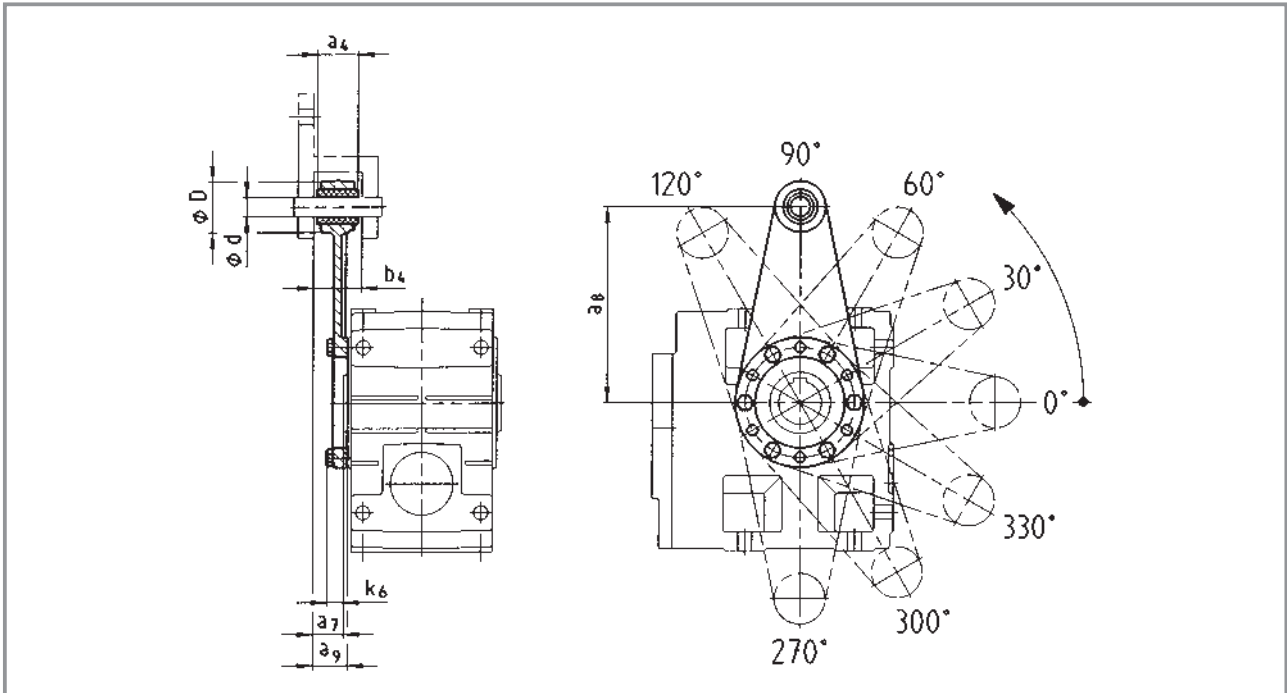
Hoseproof hollow shaft cover



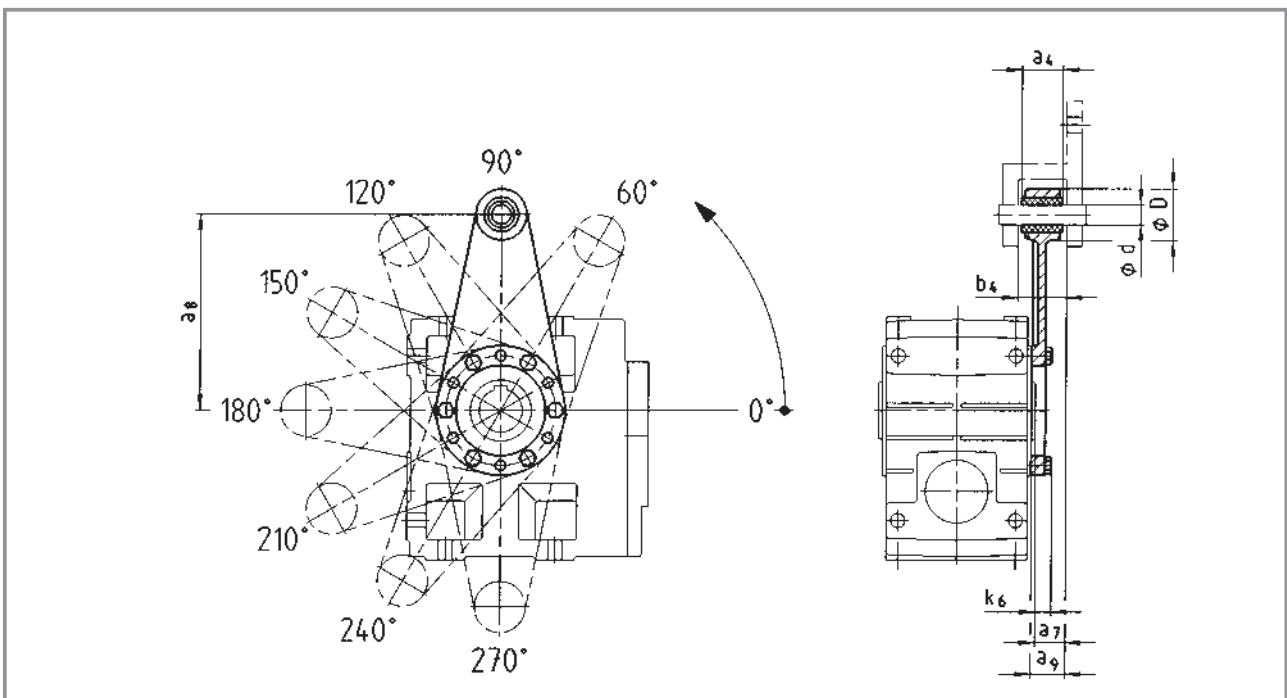
Gearbox size	k_{11}	Cover k_{12}	g_3
04	9		
05	10		
06	11		
07	11		
09		54	159
11		67	191
14		80	253

Dimensions in [mm]

Torque plate at pitch circle in position 3



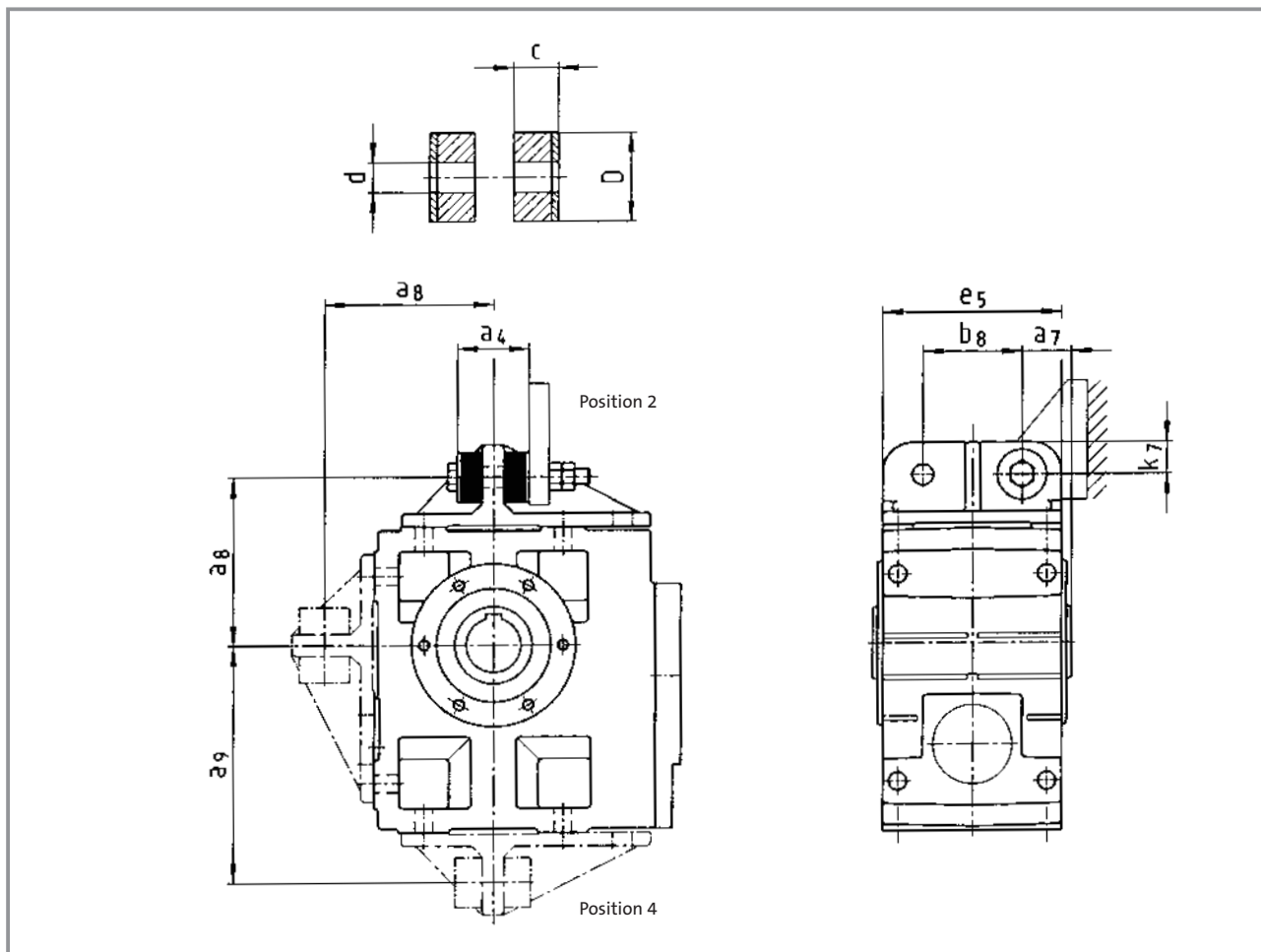
Torque plate at pitch circle in position 5



Gearbox size	Assembly space		Torque plate						
	a ₇	b ₄	a ₄	a ₈	a ₉	d	D	k ₆	
04	24	34.5	30	130	26.5	12	35	16	
05	23.5	38.5	34	160	27.5	16	45	15	
06	28	44.5	40	200	33	20	50	18	
07	32.5	50.5	46	250	37.5	25	65	21	

Dimensions in [mm]

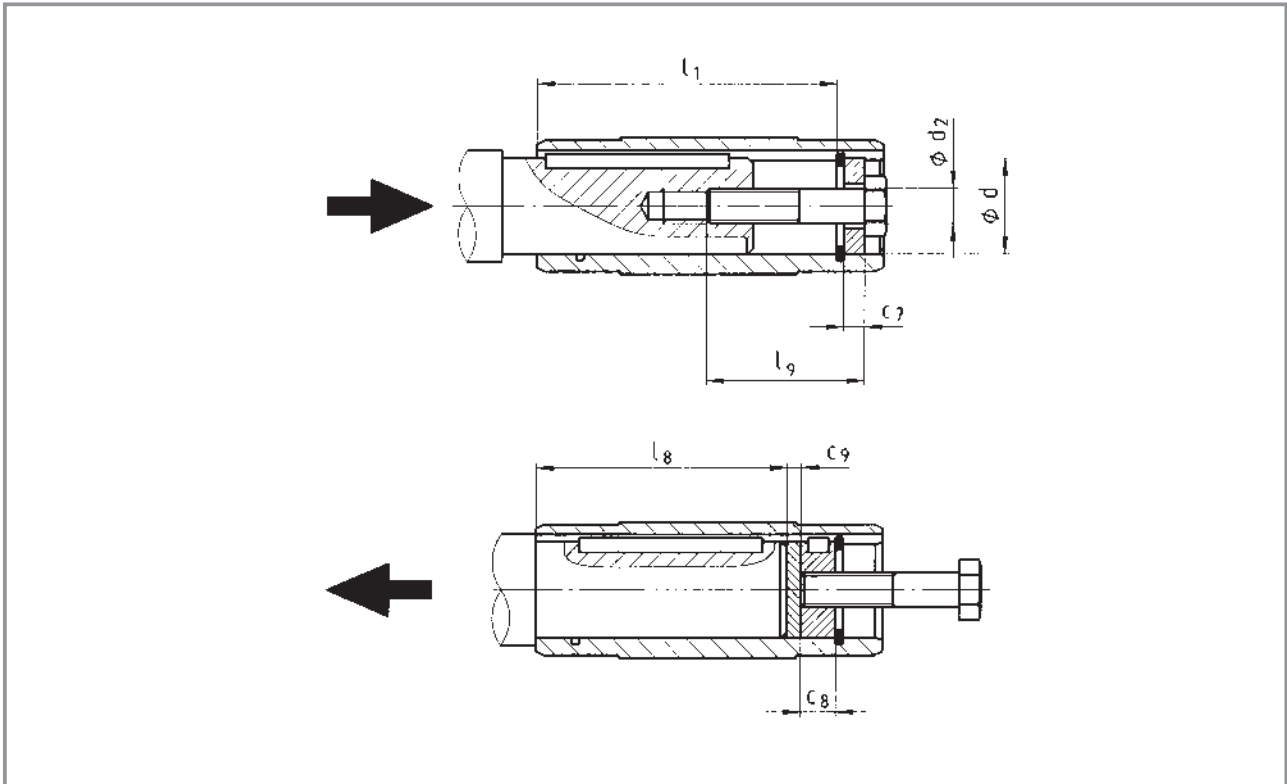
Torque plate on housing foot



Gearbox size	a ₄	a ₇	a ₈	a ₉	b ₈	c	d	D	e ₅	k ₇
04	41	27.5	106	135	60	14.5	11	30	100	20
05	45	35	115	160	70	15	13	40	127	25
06	72	40	145	195	80	27	17	50	145	28
07	78	50	170	240	100	28	21	60	180	35
09	86	60	214	300	120	29	26	72	222	46
11	94	72.5	260	375	145	30	33	92	270	55
14	100	85	320	465	180	30	39	110	328	70

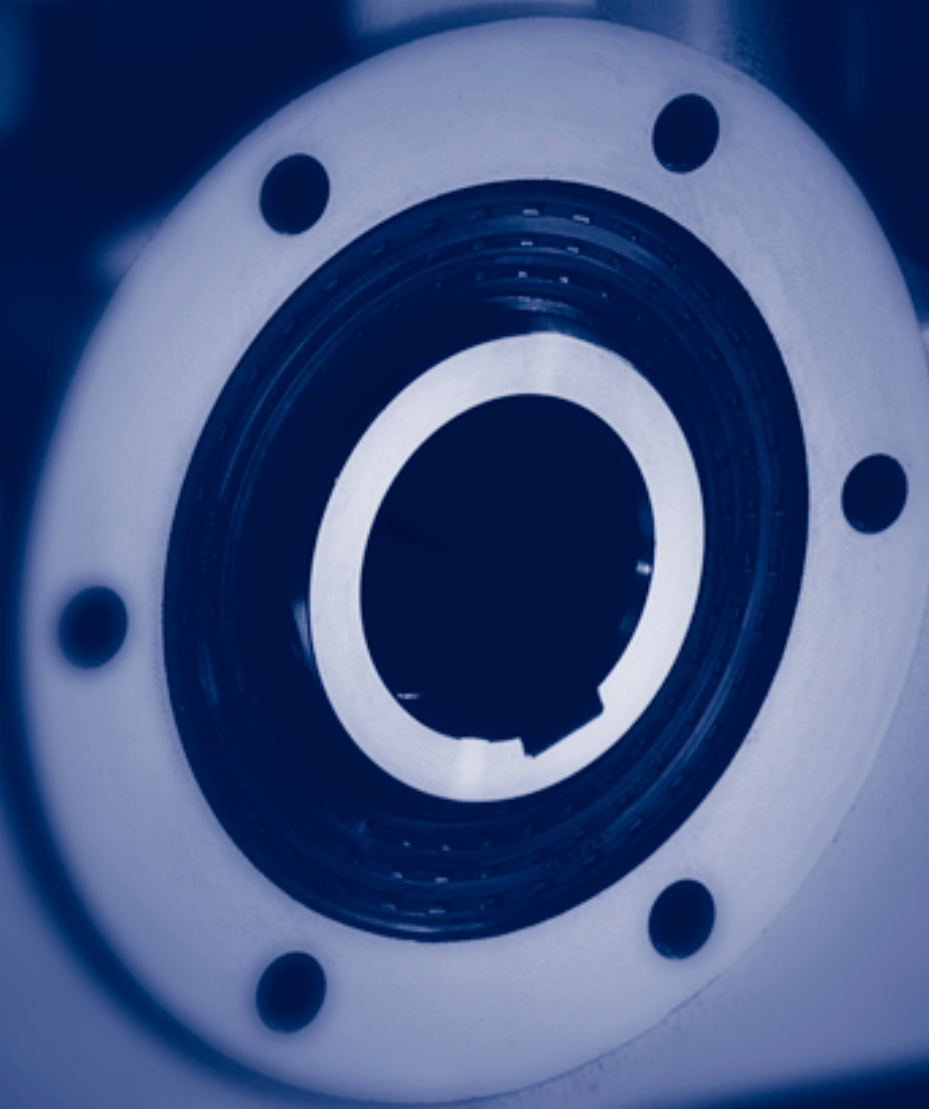
Dimensions in [mm]

Mounting set for hollow shaft circlip - Proposed design for auxiliary tools



Gearbox size	Hollow shaft (design H)			Mounting set for hollow shaft circlip (mounting auxiliary tool)			Dismounting auxiliary tool		Machine shaft max l_8
	l	l_1	d H7	d_2	l_9	c_7	c_8	c_9	
04	115	100	25 30	M10 M10	40	5 6	10	3	85
05	140	124	30 35	M10 M12	40 50	6 7	10 12	3	107
06	160	140	40 45	M16	60	8 9	16	4	118
07	200	175	50 55	M16 M20	60 80	10 11	16 20	5	148
09	240	210	60 70	M20	80	13 14	20	5	182
11	290	250	70 80	M20	80	14 16	20	6	221
14	350	305	100	M24	100	20	24	8	270

Dimensions in [mm]



Technical data

Permissible radial and axial forces -	
Output _____	7-2
Start-up efficiency _____	7-4
Ratios _____	7-5
Ventilation _____	7-11
Position of ventilation, sealing	
elements and oil control _____	7-11
Weights _____	7-12

Selection tables

Synchronous geared servo motors _____	7-13
Naturally ventilated _____	7-13
Forced ventilated _____	7-22
Asynchronous geared servo motors _____	7-26
Naturally ventilated _____	7-26
Forced ventilated _____	7-39

Dimensions

Geared servo motors with resolver _____	7-47
2-stage _____	7-47
3-stage _____	7-51
Further dimensions _____	7-55
Hollow shaft with shrink disc _____	7-55
Gearbox with 2nd output shaft end _____	7-56
Hoseproof hollow shaft cover _____	7-57
Torque plate at pitch circle _____	7-58
Torque plate at housing foot _____	7-59
Mounting set for hollow shaft circlip _____	7-60
Proposed design for auxiliary tools _____	7-60

Technical data - Helical-worm gearboxes

Permissible radial and axial forces - Output

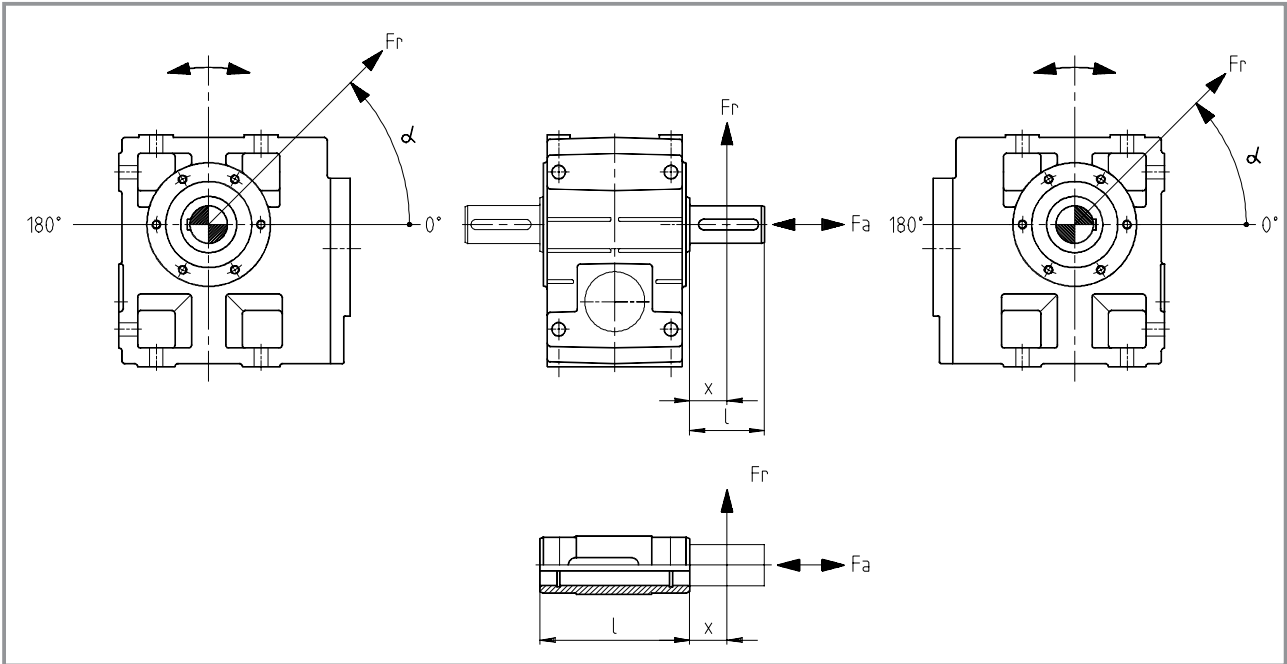
Permissible radial force

$$F_{rperm} = \min(f_w \cdot f_\alpha \cdot F_{rTab}; f_w \cdot F_{rmax})$$

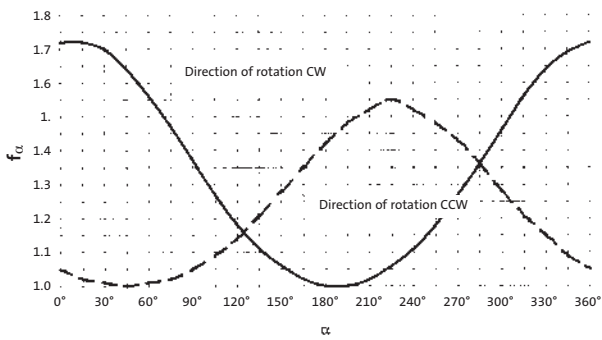
Permissible axial force

$$F_{aperm} = F_{aTab} \quad \text{at } F_r = 0$$

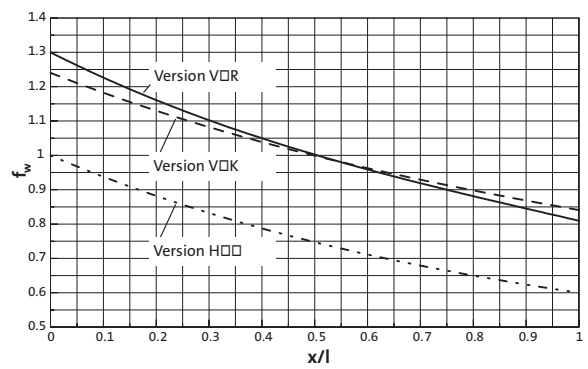
Contact Lenze if F_r and $F_a \neq 0$



f_α Effective direction factor at output shaft



f_w Additional load factor at output shaft



Technical data - Helical-worm gearboxes

Permissible radial and axial forces - Output



VAK	Solid shaft with flange Application of force F_r : Centre of shaft journal ($x = l/2$) F_{aTab} only valid for $F_r = 0$							
	GSS 04		GSS 05		GSS 06		GSS 07	
n_2 [rpm]	F_{rTab} [N]	F_{aTab} [N]	F_{rTab} [N]	F_{aTab} [N]	F_{rTab} [N]	F_{aTab} [N]	F_{rTab} [N]	F_{aTab} [N]
250	4100	3500	4900	2500	7000	2800	7900	2400
160	4400	4000	4900	3100	8100	3500	9100	3200
100	4700	4200	4900	4000	9400	4500	10600	4300
63	4700	4200	4900	4900	9400	5700	12400	5900
40	4700	4200	4900	5500	9400	7300	14000	8000
25	4700	4200	4900	5500	9400	8800	14000	10000
≤16	4700	4200	4900	5500	9400	8800	10000	14000
$F_{r max}$	4700	–	4900	–	9400	–	14000	–

VOR	Solid shaft without flange Application of force F_r : Centre of shaft journal ($x = l/2$) F_{aTab} only valid for $F_r = 0$							
	GSS 04		GSS 05		GSS 06		GSS 07	
n_2 [rpm]	F_{rTab} [N]	F_{aTab} [N]	F_{rTab} [N]	F_{aTab} [N]	F_{rTab} [N]	F_{aTab} [N]	F_{rTab} [N]	F_{aTab} [N]
250	3000	3700	2900	2800	3600	3200	4200	3100
160	3500	4200	3400	3500	4200	4100	5100	4100
100	4100	4900	4000	4400	5000	5200	6300	5500
63	4200	5500	4300	5500	5900	6500	7700	7200
40	4200	5500	4300	6000	6900	8200	9300	9500
25	4200	5500	4300	6000	8200	9000	11300	12500
≤16	4200	5500	4300	6000	8500	9000	12000	12500
$F_{r max}$	4200	–	4300	–	8500	–	12000	–

HOO	Hollow shaft Application of force F_r : At hollow shaft end face ($x = 0$) F_{aTab} only valid for $F_r = 0$							
	GSS 04		GSS 05		GSS 06		GSS 07	
n_2 [rpm]	F_{rTab} [N]	F_{aTab} [N]	F_{rTab} [N]	F_{aTab} [N]	F_{rTab} [N]	F_{aTab} [N]	F_{rTab} [N]	F_{aTab} [N]
250	3800	3700	3600	2800	4800	3200	5600	3100
160	4500	4200	4300	3500	5600	4100	6700	4100
100	5300	4900	5100	4400	6600	5200	8200	5500
63	6000	5500	6000	5500	7700	6500	10000	7200
40	6000	5500	7000	6000	9100	8200	12100	9500
25	6000	5500	7500	6000	10700	9000	14800	12500
≤16	6000	5500	7500	6000	11500	9000	16000	12500
$F_{r max}$	6000	–	7500	–	11500	–	16000	–

Neither radial nor axial forces are permitted on hollow shafts with shrink discs (S□□).

Technical data - Helical-worm gearboxes

Start-up efficiency

During start-up, the start-up efficiency η_A of a helical-worm gearbox is lower than its operative efficiency η at rated speed.

The start-up efficiency η_A must therefore always be considered when starting under load.

The start-up efficiency is determined by the oil temperature and the degree to which the tooth faces have been run in.

The values given in the tables are theoretical values and are valid with a tolerance of $\pm 10\%$.

Ratio i_r	Start-up efficiency η_A
5.6	0.71
8	0.71
9	0.67
10	0.71
11.2	0.71
12.5	0.67
14	0.71
16	0.67
18	0.67
20	0.55
22.4	0.67
25	0.55
28	0.67
31.5	0.55
35.5	0.67

Ratio i_r	Start-up efficiency η_A
40	0.55
45	0.67
50	0.55
56	0.55
63	0.55
71	0.55
80	0.55
90	0.55
100	0.55
112	0.55
125	0.55
140	0.55
160	0.55
180	0.55
200	0.55



Calculation formula: $i_{exact} = \frac{\text{Numerator}}{\text{Denominator}}$

Actual ratio	Numerator	Denominator
GSS 04 - 2		
5.639	1015	180
7.733	1160	150
9.042	1085	120
9.897	1247	126
10.827	1624	150
12.400	1240	100
13.810	1740	126
15.869	1333	84
17.360	1736	100
20.417	1225	60
22.143	1860	84
24.800	1240	50
27.125	1953	72
31.738	1333	42
34.100	2046	60
39.200	1960	50
43.917	2108	48
50.000	2100	42
54.250	1953	36
61.250	2205	36
68.200	2046	30
77.000	2310	30
87.833	2108	24
99.167	2380	24
111.318	2449	22
125.682	2765	22
139.500	2511	18
157.500	2835	18
183.786	2573	14
207.500	2905	14

Calculation formula: $i_{exact} = \frac{\text{Numerator}}{\text{Denominator}}$

Actual ratio	Numerator	Denominator
GSS 05 - 2		
5.639	1015	180
7.733	1160	150
9.042	1085	120
9.897	1247	126
10.827	1624	150
12.400	1240	100
13.810	1740	126
15.869	1333	84
17.360	1736	100
20.417	1225	60
22.143	1860	84
24.800	1240	50
27.125	1953	72
31.738	1333	42
35.306	2542	72
39.200	1960	50
43.917	2108	48
50.000	2100	42
54.250	1953	36
61.250	2205	36
70.611	2542	36
79.722	2870	36
87.833	2108	24
99.167	2380	24
113.667	2728	24
128.333	3080	24
137.950	2759	20
155.750	3115	20
176.313	2821	16
199.063	3185	16

GSS 05 - 3		
125.476	126480	1008
153.708	132804	864
193.233	139128	720
222.133	133280	600
250.952	126480	504
283.333	142800	504
307.417	132804	432
347.083	149940	432
386.467	139128	360
436.333	157080	360
497.722	143344	288
561.944	161840	288
630.803	166532	264
712.197	188020	264
790.500	170748	216
892.500	192780	216
1041.452	174964	168
1175.833	197540	168



Calculation formula: $i_{exact} = \frac{\text{Numerator}}{\text{Denominator}}$

Actual ratio	Numerator	Denominator
GSS 06 - 2		
5.833	1050	180
8.000	1200	150
9.042	1085	120
10.238	1290	126
11.200	1680	150
12.400	1240	100
14.286	1800	126
15.869	1333	84
17.360	1736	100
20.417	1225	60
22.143	1860	84
24.800	1240	50
27.125	1953	72
31.738	1333	42
35.306	2542	72
39.200	1960	50
43.917	2108	48
50.000	2100	42
54.250	1953	36
61.250	2205	36
70.611	2542	36
79.722	2870	36
87.833	2108	24
99.167	2380	24
113.667	2728	24
128.333	3080	24
137.950	2759	20
155.750	3115	20
174.375	2790	16
196.875	3150	16

Calculation formula: $i_{exact} = \frac{\text{Numerator}}{\text{Denominator}}$

Actual ratio	Numerator	Denominator
GSS 06 - 3		
126.531	111600	882
142.857	126000	882
155.000	117180	756
175.000	132300	756
194.857	122760	630
220.000	138600	630
238.700	128898	540
269.500	145530	540
310.689	167772	540
350.778	189420	540
386.467	139128	360
436.333	157080	360
497.722	143344	288
561.944	161840	288
630.803	166532	264
712.197	188020	264
816.333	215512	264
921.667	243320	264
1023.000	220968	216
1155.000	249480	216
1241.550	223479	180
1401.750	252315	180
1635.693	228997	140
1846.750	258545	140



Calculation formula: $i_{exact} = \frac{\text{Numerator}}{\text{Denominator}}$

Actual ratio	Numerator	Denominator
GSS 07 - 2		
5.862	1020	174
8.125	1170	144
9.086	1054	116
10.000	1260	126
11.200	1680	150
12.594	1209	96
14.286	1800	126
15.500	1302	84
17.360	1736	100
20.517	1190	58
22.143	1860	84
25.188	1209	48
27.125	1953	72
31.000	1302	42
35.306	2542	72
39.200	1960	50
43.271	2077	48
50.000	2100	42
54.250	1953	36
61.250	2205	36
70.611	2542	36
79.722	2870	36
86.542	2077	24
97.708	2345	24
113.667	2728	24
128.333	3080	24
137.950	2759	20
155.750	3115	20
174.375	2790	16
196.875	3150	16

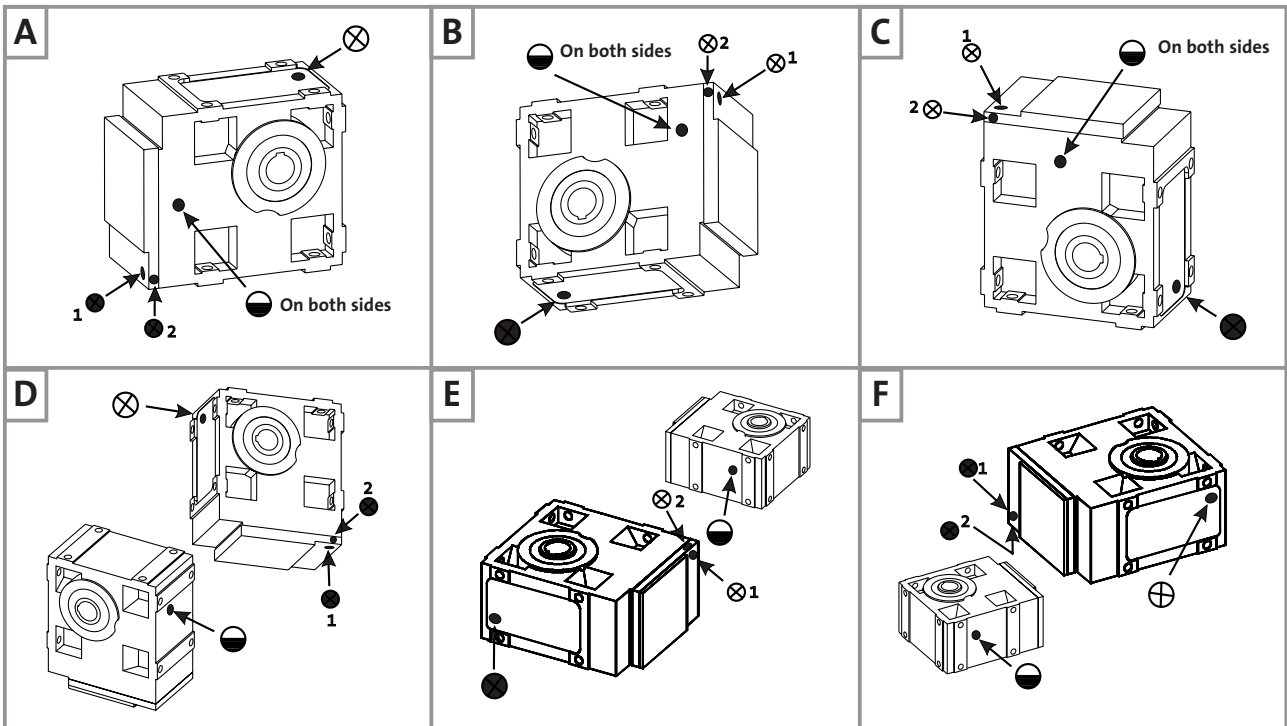
Calculation formula: $i_{exact} = \frac{\text{Numerator}}{\text{Denominator}}$

Actual ratio	Numerator	Denominator
GSS 07 - 3		
126.531	111600	882
142.857	126000	882
155.000	117180	756
175.000	132300	756
201.746	152520	756
227.778	172200	756
247.139	160146	648
279.028	180810	648
321.673	208444	648
363.179	235340	648
394.245	170314	432
445.116	192290	432
490.403	141236	288
553.681	159460	288
634.639	182776	288
716.528	206360	288
833.556	240064	288
941.111	271040	288
1011.633	242792	240
1142.167	274120	240
1227.755	245551	200
1386.175	277235	200
1569.181	251069	160
1771.656	283465	160

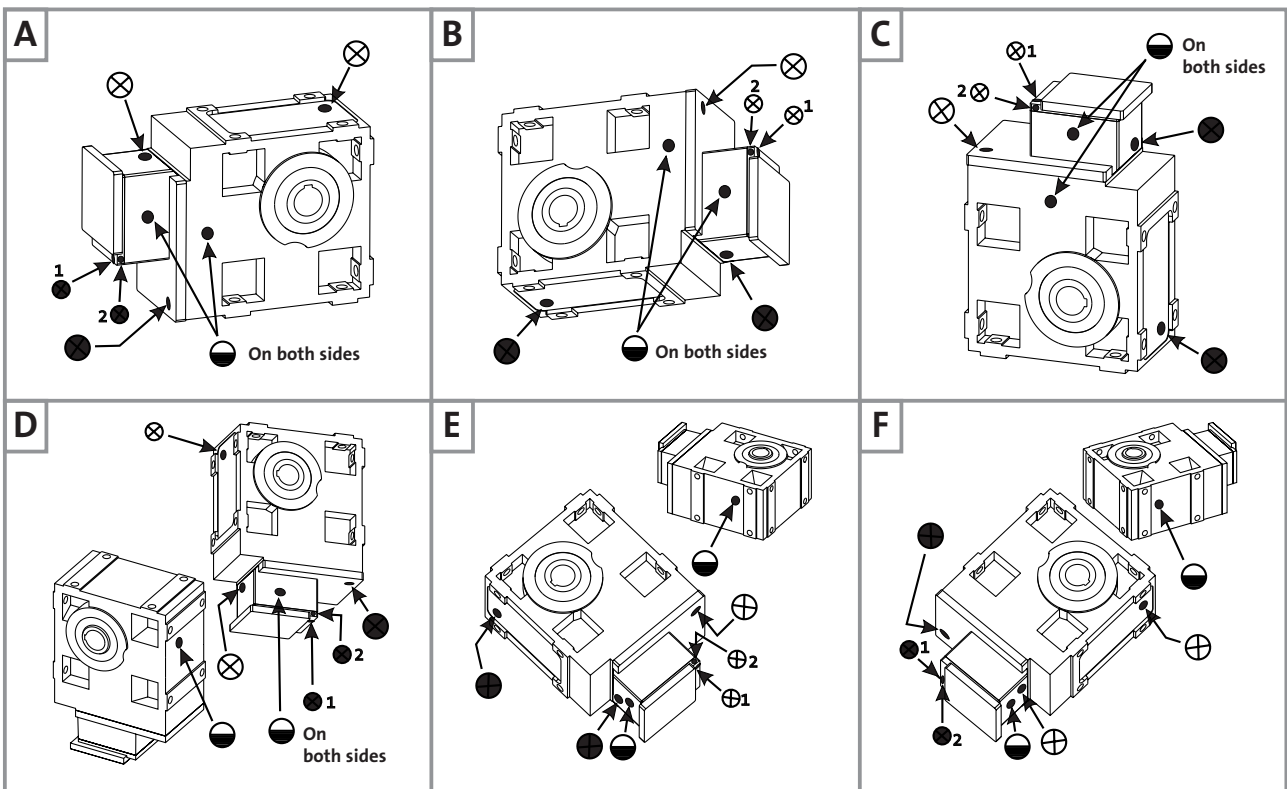


Position of ventilation, sealing elements and oil control

GSS05 ... 07-2



GSS05 ... 07-3



(A ... F) Mounting position

⊗ Ventilation/oil filler plug
● Oil drain plug

◐ Oil control plug
◑ Oil-sight glass

Pos. 1 Standard

Pos. 2 only on GSS05-2A □□□ 080C22

GSS07-3A □□□ 080C22

Helical-worm gearboxes GSS□□-2

Gearbox size	naturally ventilated										
	GSS□□-2S HAR/HBR with motor frame size (synchronous)					GSS□□-2A HAR/HBR with motor frame size (asynchronous)					
	056 C23	056 C33	071 C03	071 C13	071 C33	056 C22	071 C22	080 C22	090 C22	100 C22	112 C22
04	17	18	21	23	25	18	23				
05	27	28	30	32	34	28	32	37			
06	39	40	42	44	46	40	44	50	58		
07	64	65	67	69	71	65	69	75	82	106	123

Helical-worm gearboxes GSS□□-3

Gearbox size	naturally ventilated								
	GSS□□-3S HAR/HBR with motor frame size (synchronous)					GSS□□-3A HAR/HBR with motor frame size (asynchronous)			
	056 C23	056 C33	071 C03	071 C13	071 C33	056 C22	071 C22	080 C22	080 C22
05	27	28	31	33	36	28	33		
06	42	43	47	49	51	44	48		
07	72	73	75	77	79	73	77		82

Additional weights

At the drive end

Synchronous					Asynchronous					
056 C23	056 C33	071 C03	071 C13	071 C33	056 C22	071 C22	080 C22	090 C22	100 C22	112 C22
forced ventilated										
–	–	1.3	1.3	1.3	–	1.6	1.9	2.6	3.5	3.5
Brake										
0.9	0.9	1.4	1.4	1.4	0.9	1.4	1.5	2.4	4.8	5.0

At the non-drive end

Gearbox size	Solid shaft V□□	2nd output shaft end V□□	Hollow shaft with shrink disc S□□	Flange □□K	Torque plate Housing foot	Torque plate Pitch circle
04	0.6	0.2	0.6	2.5	1.3	0.9
05	1	0.3	0.8	4	2.2	1.3
06	2.5	0.8	1	7	3.7	2.1
07	5	1.5	1.5	11	6.6	3.7

Weights in [kg] with oil capacity for mounting position A. All data is approximate

Selection tables - Helical-worm gearboxes

Naturally ventilated synchronous geared servo motors



M ₂ [Nm]	n ₂ trans [rpm]	c	i	M ₂ max short-time M ₂ Gr on geared motor at				n ₂ therm gearbox c=1 n ₁ ≤ 1400 rpm		J _{GM} referred to motor shaft [kgm ²]	Servo helical- worm geared motor Dimensions on Page 7-47
				8 kHz		16 kHz		[Nm]	[rpm]		
				M ₂ max [Nm]	Type EVS	M ₂ max [Nm]	Type EVS				
14	674	3.1	5.639	23	9322	27	9323	108	674	2.52E-04	GSS04 - 2S □□□ 056C23 MDSKS□□ 056-23 190
19	491	3.8	7.733	32	9322	37	9323	149	491	2.05E-04	GSS04 - 2S □□□ 056C23 MDSKS□□ 056-23 190
22	420	4.4	9.042	37	9322	43	9323	154	420	2.21E-04	GSS04 - 2S □□□ 056C23 MDSKS□□ 056-23 190
24	384	4.1	9.897	41	9322	48	9323	161	384	1.83E-04	GSS04 - 2S □□□ 056C23 MDSKS□□ 056-23 190
26	351	4.1	10.827	45	9322	52	9323	161	351	1.77E-04	GSS04 - 2S □□□ 056C23 MDSKS□□ 056-23 190
30	306	3.9	12.400	51	9322	59	9323	170	306	1.89E-04	GSS04 - 2S □□□ 056C23 MDSKS□□ 056-23 190
34	275	4.1	13.810	58	9322	67	9323	163	275	1.65E-04	GSS04 - 2S □□□ 056C23 MDSKS□□ 056-23 190
38	239	3.3	15.869	65	9322	76	9323	180	239	1.73E-04	GSS04 - 2S □□□ 056C23 MDSKS□□ 056-23 190
42	219	3.2	17.360	71	9322	83	9323	180	219	1.68E-04	GSS04 - 2S □□□ 056C23 MDSKS□□ 056-23 190
45	186	2.3	20.417	76	9322	88	9323	153	186	2.07E-04	GSS04 - 2S □□□ 056C23 MDSKS□□ 056-23 190
54	172	2.7	22.143	91	9322	105	9323	180	172	1.60E-04	GSS04 - 2S □□□ 056C23 MDSKS□□ 056-23 190
56	153	2.1	24.800	94	9322	109	9323	171	153	1.82E-04	GSS04 - 2S □□□ 056C23 MDSKS□□ 056-23 190
66	140	2.3	27.125	111	9322	128	9323	180	140	1.54E-04	GSS04 - 2S □□□ 056C23 MDSKS□□ 056-23 190
72	120	1.8	31.738	121	9322	140	9323	180	120	1.69E-04	GSS04 - 2S □□□ 056C23 MDSKS□□ 056-23 190
83	111	2.0	34.100	139	9322	161	9323	180	111	1.50E-04	GSS04 - 2S □□□ 056C23 MDSKS□□ 056-23 190
87	97	1.5	39.200	146	9322	168	9323	180	97	1.65E-04	GSS04 - 2S □□□ 056C23 MDSKS□□ 056-23 190
107	87	1.7	43.917	178	9322	206	9323	180	87	1.46E-04	GSS04 - 2S □□□ 056C23 MDSKS□□ 056-23 190
111	76	1.3	50.000	185	9322	214	9323	180	76	1.57E-04	GSS04 - 2S □□□ 056C23 MDSKS□□ 056-23 190
123	70	1.3	54.250	204	9322	235	9323	180	70	1.53E-04	GSS04 - 2S □□□ 056C23 MDSKS□□ 056-23 190
136	62	1.2	61.250	225	9322	235	9323	180	62	1.53E-04	GSS04 - 2S □□□ 056C23 MDSKS□□ 056-23 190
154	56	1.1	68.200	254	9322	254	9323	180	56	1.49E-04	GSS04 - 2S □□□ 056C23 MDSKS□□ 056-23 190
21	709	2.1	5.639	34	9323	45	9324	108	709	3.12E-04	GSS04 - 2S □□□ 056C33 MDSKS□□ 056-33 200
28	517	2.6	7.733	48	9323	62	9324	149	517	2.65E-04	GSS04 - 2S □□□ 056C33 MDSKS□□ 056-33 200
33	442	2.9	9.042	55	9323	72	9324	154	442	2.81E-04	GSS04 - 2S □□□ 056C33 MDSKS□□ 056-33 200
37	404	2.7	9.897	61	9323	80	9324	161	404	2.43E-04	GSS04 - 2S □□□ 056C33 MDSKS□□ 056-33 200
40	369	2.7	10.827	67	9323	87	9324	161	369	2.37E-04	GSS04 - 2S □□□ 056C33 MDSKS□□ 056-33 200
45	323	2.6	12.400	76	9323	99	9324	170	323	2.49E-04	GSS04 - 2S □□□ 056C33 MDSKS□□ 056-33 200
52	290	2.7	13.810	86	9323	112	9324	163	290	2.25E-04	GSS04 - 2S □□□ 056C33 MDSKS□□ 056-33 200
58	252	2.2	15.869	97	9323	126	9324	180	252	2.33E-04	GSS04 - 2S □□□ 056C33 MDSKS□□ 056-33 200
64	230	2.1	17.360	106	9323	138	9324	180	230	2.28E-04	GSS04 - 2S □□□ 056C33 MDSKS□□ 056-33 200
68	196	1.5	20.417	113	9323	147	9324	153	196	2.67E-04	GSS04 - 2S □□□ 056C33 MDSKS□□ 056-33 200
81	181	1.8	22.143	135	9323	175	9324	180	181	2.20E-04	GSS04 - 2S □□□ 056C33 MDSKS□□ 056-33 200
85	161	1.4	24.800	140	9323	180	9324	171	161	2.42E-04	GSS04 - 2S □□□ 056C33 MDSKS□□ 056-33 200
100	147	1.6	27.125	164	9323	214	9324	180	147	2.14E-04	GSS04 - 2S □□□ 056C33 MDSKS□□ 056-33 200

Observe the notes for thermal dimensioning.

Selection tables - Helical-worm gearboxes

Naturally ventilated synchronous geared servo motors

M ₂ [Nm]	n ₂ trans [rpm]	c	i	M ₂ max short-time M ₂ Gr on geared motor at				n ₂ therm gearbox c=1 n ₁ ≤ 1400 rpm		J _{GM} referred to motor shaft [kgm ²]	Servo helical- worm geared motor Dimensions on Page 7-47
				8 kHz		16 kHz		[Nm]	[rpm]		
				M ₂ max [Nm]	Type EVS	M ₂ max [Nm]	Type EVS				
109	126	1.2	31.738	179	9323	196	9324	180	126	2.29E-04	GSS04 - 2S □□□ 056C33 MDSKS□□ 056-33 200
125	117	1.3	34.100	206	9323	253	9324	180	117	2.10E-04	GSS04 - 2S □□□ 056C33 MDSKS□□ 056-33 200
132	102	1.0	39.200	202	9323	202	9324	180	102	2.25E-04	GSS04 - 2S □□□ 056C33 MDSKS□□ 056-33 200
161	91	1.1	43.917	264	9323	269	9324	180	91	2.06E-04	GSS04 - 2S □□□ 056C33 MDSKS□□ 056-33 200
28	603	1.9	5.639	40	9323	53	9324	149	603	7.12E-04	GSS04 - 2S □□□ 071C03 MDSKS□□ 071-03 170
39	440	2.2	7.733	55	9323	73	9324	158	440	6.65E-04	GSS04 - 2S □□□ 071C03 MDSKS□□ 071-03 170
45	376	2.3	9.042	64	9323	85	9324	154	376	6.81E-04	GSS04 - 2S □□□ 071C03 MDSKS□□ 071-03 170
50	344	2.3	9.897	71	9323	94	9324	161	344	6.43E-04	GSS04 - 2S □□□ 071C03 MDSKS□□ 071-03 170
55	314	2.3	10.827	78	9323	103	9324	161	314	6.37E-04	GSS04 - 2S □□□ 071C03 MDSKS□□ 071-03 170
62	274	2.0	12.400	88	9323	117	9324	170	274	6.49E-04	GSS04 - 2S □□□ 071C03 MDSKS□□ 071-03 170
70	246	2.1	13.810	100	9323	132	9324	163	246	6.25E-04	GSS04 - 2S □□□ 071C03 MDSKS□□ 071-03 170
80	214	1.7	15.869	113	9323	149	9324	180	214	6.33E-04	GSS04 - 2S □□□ 071C03 MDSKS□□ 071-03 170
87	196	1.6	17.360	123	9323	163	9324	180	196	6.28E-04	GSS04 - 2S □□□ 071C03 MDSKS□□ 071-03 170
93	167	1.2	20.417	131	9323	167	9324	153	167	6.67E-04	GSS04 - 2S □□□ 071C03 MDSKS□□ 071-03 170
111	154	1.4	22.143	157	9323	207	9324	180	154	6.20E-04	GSS04 - 2S □□□ 071C03 MDSKS□□ 071-03 170
116	137	1.1	24.800	163	9323	188	9324	171	137	6.42E-04	GSS04 - 2S □□□ 071C03 MDSKS□□ 071-03 170
136	125	1.2	27.125	191	9323	245	9324	180	125	6.14E-04	GSS04 - 2S □□□ 071C03 MDSKS□□ 071-03 170
41	656	1.1	5.639	62	9324	65	9325	149	656	9.12E-04	GSS04 - 2S □□□ 071C13 MDSKS□□ 071-13 185
57	478	1.3	7.733	86	9324	111	9325	158	478	8.65E-04	GSS04 - 2S □□□ 071C13 MDSKS□□ 071-13 185
66	409	1.5	9.042	100	9324	138	9325	154	409	8.81E-04	GSS04 - 2S □□□ 071C13 MDSKS□□ 071-13 185
74	374	1.4	9.897	111	9324	153	9325	161	374	8.43E-04	GSS04 - 2S □□□ 071C13 MDSKS□□ 071-13 185
81	342	1.4	10.827	121	9324	168	9325	161	342	8.37E-04	GSS04 - 2S □□□ 071C13 MDSKS□□ 071-13 185
91	298	1.3	12.400	137	9324	181	9325	170	298	8.49E-04	GSS04 - 2S □□□ 071C13 MDSKS□□ 071-13 185
103	268	1.4	13.810	156	9324	215	9325	163	268	8.25E-04	GSS04 - 2S □□□ 071C13 MDSKS□□ 071-13 185
117	233	1.1	15.869	175	9324	197	9325	180	233	8.33E-04	GSS04 - 2S □□□ 071C13 MDSKS□□ 071-13 185
128	213	1.1	17.360	192	9324	204	9325	180	213	8.28E-04	GSS04 - 2S □□□ 071C13 MDSKS□□ 071-13 185
33	275	5.9	13.810	58	9322	67	9323	248	275	2.04E-04	GSS05 - 2S □□□ 056C23 MDSKS□□ 056-23 190
37	239	5.4	15.869	65	9322	75	9323	296	239	2.24E-04	GSS05 - 2S □□□ 056C23 MDSKS□□ 056-23 190
41	219	5.1	17.360	71	9322	82	9323	311	219	2.12E-04	GSS05 - 2S □□□ 056C23 MDSKS□□ 056-23 190
53	172	4.4	22.143	91	9322	105	9323	337	172	1.90E-04	GSS05 - 2S □□□ 056C23 MDSKS□□ 056-23 190
65	140	3.8	27.125	111	9322	129	9323	360	140	1.78E-04	GSS05 - 2S □□□ 056C23 MDSKS□□ 056-23 190
71	120	2.9	31.738	120	9322	139	9323	306	120	2.13E-04	GSS05 - 2S □□□ 056C23 MDSKS□□ 056-23 190
86	108	3.2	35.306	145	9322	168	9323	360	108	1.63E-04	GSS05 - 2S □□□ 056C23 MDSKS□□ 056-23 190
86	97	2.5	39.200	146	9322	169	9323	323	97	2.01E-04	GSS05 - 2S □□□ 056C23 MDSKS□□ 056-23 190

Observe the notes for thermal dimensioning.

Selection tables - Helical-worm gearboxes

Naturally ventilated synchronous geared servo motors



M ₂ [Nm]	n ₂ trans [rpm]	c	i	M ₂ max short-time M ₂ Gr on geared motor at				n ₂ therm gearbox c=1 n ₁ ≤ 1400 rpm		J _{GM} referred to motor shaft [kgm ²]	Servo helical- worm geared motor Dimensions on Page 7-47
				8 kHz		16 kHz		[Nm]	[rpm]		
				M ₂ max [Nm]	Type EVS	M ₂ max [Nm]	Type EVS				
107	87	2.8	43.917	181	9322	209	9323	360	87	1.57E-04	GSS05 - 2S □□□ 056C23 MDSKS□□ 056-23 190
111	76	2.1	50.000	187	9322	216	9323	353	76	1.83E-04	GSS05 - 2S □□□ 056C23 MDSKS□□ 056-23 190
123	70	2.1	54.250	207	9322	239	9323	360	70	1.74E-04	GSS05 - 2S □□□ 056C23 MDSKS□□ 056-23 190
137	62	1.9	61.250	229	9322	265	9323	360	62	1.73E-04	GSS05 - 2S □□□ 056C23 MDSKS□□ 056-23 190
161	54	1.7	70.611	269	9322	312	9323	360	54	1.61E-04	GSS05 - 2S □□□ 056C23 MDSKS□□ 056-23 190
179	48	1.6	79.722	299	9322	346	9323	360	48	1.61E-04	GSS05 - 2S □□□ 056C23 MDSKS□□ 056-23 190
201	43	1.5	87.833	335	9322	388	9323	360	43	1.55E-04	GSS05 - 2S □□□ 056C23 MDSKS□□ 056-23 190
224	38	1.4	99.167	372	9322	430	9323	360	38	1.55E-04	GSS05 - 2S □□□ 056C23 MDSKS□□ 056-23 190
261	33	1.3	113.667	434	9322	502	9323	360	33	1.50E-04	GSS05 - 2S □□□ 056C23 MDSKS□□ 056-23 190
290	30	1.2	128.333	481	9322	516	9323	360	30	1.49E-04	GSS05 - 2S □□□ 056C23 MDSKS□□ 056-23 190
318	28	1.1	137.950	527	9322	540	9323	360	28	1.47E-04	GSS05 - 2S □□□ 056C23 MDSKS□□ 056-23 190
353	24	1.0	155.750	540	9322	540	9323	360	24	1.47E-04	GSS05 - 2S □□□ 056C23 MDSKS□□ 056-23 190
36	404	4.3	9.897	62	9323	80	9324	190	404	3.10E-04	GSS05 - 2S □□□ 056C33 MDSKS□□ 056-33 200
40	369	4.2	10.827	68	9323	88	9324	210	369	2.94E-04	GSS05 - 2S □□□ 056C33 MDSKS□□ 056-33 200
51	290	3.9	13.810	87	9323	113	9324	248	290	2.64E-04	GSS05 - 2S □□□ 056C33 MDSKS□□ 056-33 200
57	252	3.6	15.869	96	9323	125	9324	296	252	2.84E-04	GSS05 - 2S □□□ 056C33 MDSKS□□ 056-33 200
63	230	3.4	17.360	106	9323	137	9324	311	230	2.72E-04	GSS05 - 2S □□□ 056C33 MDSKS□□ 056-33 200
81	181	2.9	22.143	135	9323	176	9324	337	181	2.50E-04	GSS05 - 2S □□□ 056C33 MDSKS□□ 056-33 200
99	147	2.5	27.125	166	9323	216	9324	360	147	2.38E-04	GSS05 - 2S □□□ 056C33 MDSKS□□ 056-33 200
108	126	1.9	31.738	178	9323	232	9324	306	126	2.73E-04	GSS05 - 2S □□□ 056C33 MDSKS□□ 056-33 200
130	113	2.1	35.306	216	9323	281	9324	360	113	2.23E-04	GSS05 - 2S □□□ 056C33 MDSKS□□ 056-33 200
131	102	1.7	39.200	216	9323	282	9324	323	102	2.61E-04	GSS05 - 2S □□□ 056C33 MDSKS□□ 056-33 200
162	91	1.8	43.917	268	9323	349	9324	360	91	2.17E-04	GSS05 - 2S □□□ 056C33 MDSKS□□ 056-33 200
168	80	1.4	50.000	277	9323	361	9324	353	80	2.43E-04	GSS05 - 2S □□□ 056C33 MDSKS□□ 056-33 200
187	74	1.4	54.250	307	9323	385	9324	360	74	2.34E-04	GSS05 - 2S □□□ 056C33 MDSKS□□ 056-33 200
207	65	1.3	61.250	340	9323	392	9324	360	65	2.33E-04	GSS05 - 2S □□□ 056C33 MDSKS□□ 056-33 200
244	57	1.2	70.611	400	9323	424	9324	360	57	2.21E-04	GSS05 - 2S □□□ 056C33 MDSKS□□ 056-33 200
271	50	1.1	79.722	433	9323	433	9324	360	50	2.21E-04	GSS05 - 2S □□□ 056C33 MDSKS□□ 056-33 200
304	46	1.0	87.833	459	9323	459	9324	360	46	2.15E-04	GSS05 - 2S □□□ 056C33 MDSKS□□ 056-33 200
28	603	4.1	5.639	41	9323	54	9324	219	603	8.82E-04	GSS05 - 2S □□□ 071C03 MDSKS□□ 071-03 170
39	440	3.8	7.733	56	9323	74	9324	267	440	7.66E-04	GSS05 - 2S □□□ 071C03 MDSKS□□ 071-03 170
44	376	2.8	9.042	63	9323	83	9324	251	376	8.01E-04	GSS05 - 2S □□□ 071C03 MDSKS□□ 071-03 170
50	344	3.5	9.897	72	9323	95	9324	271	344	7.10E-04	GSS05 - 2S □□□ 071C03 MDSKS□□ 071-03 170
55	314	3.4	10.827	79	9323	104	9324	272	314	6.94E-04	GSS05 - 2S □□□ 071C03 MDSKS□□ 071-03 170

Observe the notes for thermal dimensioning.

Selection tables - Helical-worm gearboxes

Naturally ventilated synchronous geared servo motors

M ₂ [Nm]	n ₂ trans [rpm]	c	i	M ₂ max short-time M ₂ Gr on geared motor at				n ₂ therm gearbox c=1 n ₁ ≤ 1400 rpm		J _{GM} referred to motor shaft [kgm ²]	Servo helical- worm geared motor Dimensions on Page 7-47
				8 kHz		16 kHz		[Nm]	[rpm]		
				M ₂ max [Nm]	Type EVS	M ₂ max [Nm]	Type EVS				
61	274	3.0	12.400	87	9323	115	9324	279	274	7.23E-04	GSS05 - 2S □□□ 071C03 MDSKS□□ 071-03 170
70	246	3.2	13.810	101	9323	133	9324	275	246	6.64E-04	GSS05 - 2S □□□ 071C03 MDSKS□□ 071-03 170
78	214	2.8	15.869	112	9323	148	9324	301	214	6.84E-04	GSS05 - 2S □□□ 071C03 MDSKS□□ 071-03 170
86	196	2.6	17.360	123	9323	162	9324	311	196	6.72E-04	GSS05 - 2S □□□ 071C03 MDSKS□□ 071-03 170
89	167	1.6	20.417	126	9323	167	9324	253	167	7.60E-04	GSS05 - 2S □□□ 071C03 MDSKS□□ 071-03 170
110	154	2.2	22.143	157	9323	208	9324	337	154	6.50E-04	GSS05 - 2S □□□ 071C03 MDSKS□□ 071-03 170
113	137	1.7	24.800	160	9323	212	9324	280	137	7.06E-04	GSS05 - 2S □□□ 071C03 MDSKS□□ 071-03 170
136	125	1.9	27.125	193	9323	255	9324	360	125	6.38E-04	GSS05 - 2S □□□ 071C03 MDSKS□□ 071-03 170
147	107	1.5	31.738	207	9323	274	9324	306	107	6.73E-04	GSS05 - 2S □□□ 071C03 MDSKS□□ 071-03 170
177	96	1.6	35.306	251	9323	332	9324	360	96	6.23E-04	GSS05 - 2S □□□ 071C03 MDSKS□□ 071-03 170
179	87	1.3	39.200	252	9323	333	9324	323	87	6.61E-04	GSS05 - 2S □□□ 071C03 MDSKS□□ 071-03 170
221	77	1.4	43.917	312	9323	413	9324	360	77	6.17E-04	GSS05 - 2S □□□ 071C03 MDSKS□□ 071-03 170
229	68	1.1	50.000	323	9323	380	9324	353	68	6.43E-04	GSS05 - 2S □□□ 071C03 MDSKS□□ 071-03 170
254	63	1.1	54.250	358	9323	403	9324	360	63	6.34E-04	GSS05 - 2S □□□ 071C03 MDSKS□□ 071-03 170
41	656	2.6	5.639	63	9324	87	9325	219	656	1.08E-03	GSS05 - 2S □□□ 071C13 MDSKS□□ 071-13 185
57	478	2.4	7.733	87	9324	120	9325	267	478	9.66E-04	GSS05 - 2S □□□ 071C13 MDSKS□□ 071-13 185
64	409	1.6	9.042	97	9324	134	9325	251	409	1.00E-03	GSS05 - 2S □□□ 071C13 MDSKS□□ 071-13 185
74	374	2.2	9.897	112	9324	154	9325	271	374	9.10E-04	GSS05 - 2S □□□ 071C13 MDSKS□□ 071-13 185
81	342	2.1	10.827	122	9324	169	9325	272	342	8.94E-04	GSS05 - 2S □□□ 071C13 MDSKS□□ 071-13 185
89	298	1.8	12.400	135	9324	187	9325	279	298	9.23E-04	GSS05 - 2S □□□ 071C13 MDSKS□□ 071-13 185
103	268	2.0	13.810	157	9324	216	9325	275	268	8.64E-04	GSS05 - 2S □□□ 071C13 MDSKS□□ 071-13 185
115	233	1.8	15.869	174	9324	240	9325	301	233	8.84E-04	GSS05 - 2S □□□ 071C13 MDSKS□□ 071-13 185
126	213	1.7	17.360	191	9324	263	9325	311	213	8.72E-04	GSS05 - 2S □□□ 071C13 MDSKS□□ 071-13 185
162	167	1.5	22.143	244	9324	337	9325	337	167	8.50E-04	GSS05 - 2S □□□ 071C13 MDSKS□□ 071-13 185
166	149	1.1	24.800	249	9324	265	9325	280	149	9.06E-04	GSS05 - 2S □□□ 071C13 MDSKS□□ 071-13 185
199	136	1.3	27.125	300	9324	384	9325	360	136	8.38E-04	GSS05 - 2S □□□ 071C13 MDSKS□□ 071-13 185
260	105	1.1	35.306	390	9324	419	9325	360	105	8.23E-04	GSS05 - 2S □□□ 071C13 MDSKS□□ 071-13 185
62	638	1.8	5.639	121	9325	91	9325	219	638	1.28E-03	GSS05 - 2S □□□ 071C33 MDSKS□□ 071-33 180
85	466	1.6	7.733	168	9325	125	9325	267	466	1.17E-03	GSS05 - 2S □□□ 071C33 MDSKS□□ 071-33 180
96	398	1.1	9.042	156	9325	140	9325	251	398	1.20E-03	GSS05 - 2S □□□ 071C33 MDSKS□□ 071-33 180
110	364	1.5	9.897	215	9325	161	9325	271	364	1.11E-03	GSS05 - 2S □□□ 071C33 MDSKS□□ 071-33 180
120	333	1.4	10.827	236	9325	177	9325	272	333	1.09E-03	GSS05 - 2S □□□ 071C33 MDSKS□□ 071-33 180
133	290	1.2	12.400	246	9325	195	9325	279	290	1.12E-03	GSS05 - 2S □□□ 071C33 MDSKS□□ 071-33 180
154	261	1.3	13.810	302	9325	226	9325	275	261	1.06E-03	GSS05 - 2S □□□ 071C33 MDSKS□□ 071-33 180

Observe the notes for thermal dimensioning.

Selection tables - Helical-worm gearboxes

Naturally ventilated synchronous geared servo motors



M ₂ [Nm]	n ₂ trans [rpm]	c	i	M ₂ max short-time M ₂ Gr on geared motor at				n ₂ therm gearbox c=1 n ₁ ≤ 1400 rpm		J _{GM} referred to motor shaft [kgm ²]	Servo helical- worm geared motor Dimensions on Page 7-47
				8 kHz		16 kHz		[Nm]	[rpm]		
				M ₂ max [Nm]	Type EVS	M ₂ max [Nm]	Type EVS				
172	227	1.2	15.869	317	9325	251	9325	301	227	1.08E-03	GSS05 - 2S □□□ 071C33 MDSKS□□ 071-33 180
188	207	1.2	17.360	330	9325	275	9325	311	207	1.07E-03	GSS05 - 2S □□□ 071C33 MDSKS□□ 071-33 180
104	87	5.3	43.917	181	9322	210	9323	566	87	1.87E-04	GSS06 - 2S □□□ 056C23 MDSKS□□ 056-23 190
112	76	3.9	50.000	192	9322	222	9323	693	76	2.56E-04	GSS06 - 2S □□□ 056C23 MDSKS□□ 056-23 190
159	54	3.4	70.611	271	9322	314	9323	720	54	2.01E-04	GSS06 - 2S □□□ 056C23 MDSKS□□ 056-23 190
179	48	3.1	79.722	303	9322	351	9323	720	48	1.97E-04	GSS06 - 2S □□□ 056C23 MDSKS□□ 056-23 190
198	43	3.0	87.833	336	9322	389	9323	720	43	1.84E-04	GSS06 - 2S □□□ 056C23 MDSKS□□ 056-23 190
222	38	2.7	99.167	375	9322	434	9323	720	38	1.82E-04	GSS06 - 2S □□□ 056C23 MDSKS□□ 056-23 190
257	33	2.5	113.667	432	9322	501	9323	720	33	1.68E-04	GSS06 - 2S □□□ 056C23 MDSKS□□ 056-23 190
287	30	2.3	128.333	482	9322	559	9323	720	30	1.66E-04	GSS06 - 2S □□□ 056C23 MDSKS□□ 056-23 190
310	28	2.3	137.950	521	9322	603	9323	720	28	1.60E-04	GSS06 - 2S □□□ 056C23 MDSKS□□ 056-23 190
347	24	2.0	155.750	581	9322	673	9323	720	24	1.59E-04	GSS06 - 2S □□□ 056C23 MDSKS□□ 056-23 190
390	22	1.8	174.375	652	9322	754	9323	720	22	1.53E-04	GSS06 - 2S □□□ 056C23 MDSKS□□ 056-23 190
436	19	1.6	196.875	726	9322	840	9323	720	19	1.52E-04	GSS06 - 2S □□□ 056C23 MDSKS□□ 056-23 190
53	280	5.0	14.286	90	9323	117	9324	277	280	3.63E-04	GSS06 - 2S □□□ 056C33 MDSKS□□ 056-33 200
80	181	4.6	22.143	137	9323	178	9324	413	181	3.39E-04	GSS06 - 2S □□□ 056C33 MDSKS□□ 056-33 200
128	113	4.1	35.306	217	9323	283	9324	543	113	2.66E-04	GSS06 - 2S □□□ 056C33 MDSKS□□ 056-33 200
160	91	3.5	43.917	269	9323	351	9324	566	91	2.47E-04	GSS06 - 2S □□□ 056C33 MDSKS□□ 056-33 200
171	80	2.6	50.000	285	9323	371	9324	693	80	3.16E-04	GSS06 - 2S □□□ 056C33 MDSKS□□ 056-33 200
242	57	2.3	70.611	403	9323	525	9324	720	57	2.61E-04	GSS06 - 2S □□□ 056C33 MDSKS□□ 056-33 200
272	50	2.1	79.722	451	9323	587	9324	720	50	2.57E-04	GSS06 - 2S □□□ 056C33 MDSKS□□ 056-33 200
301	46	2.0	87.833	499	9323	650	9324	720	46	2.44E-04	GSS06 - 2S □□□ 056C33 MDSKS□□ 056-33 200
337	40	1.8	99.167	558	9323	726	9324	720	40	2.42E-04	GSS06 - 2S □□□ 056C33 MDSKS□□ 056-33 200
389	35	1.7	113.667	642	9323	837	9324	720	35	2.28E-04	GSS06 - 2S □□□ 056C33 MDSKS□□ 056-33 200
435	31	1.5	128.333	717	9323	934	9324	720	31	2.26E-04	GSS06 - 2S □□□ 056C33 MDSKS□□ 056-33 200
470	29	1.5	137.950	774	9323	1009	9324	720	29	2.20E-04	GSS06 - 2S □□□ 056C33 MDSKS□□ 056-33 200
525	26	1.4	155.750	863	9323	1075	9324	720	26	2.19E-04	GSS06 - 2S □□□ 056C33 MDSKS□□ 056-33 200
590	23	1.2	174.375	968	9323	1074	9324	720	23	2.13E-04	GSS06 - 2S □□□ 056C33 MDSKS□□ 056-33 200
658	20	1.1	196.875	1073	9323	1073	9324	720	20	2.12E-04	GSS06 - 2S □□□ 056C33 MDSKS□□ 056-33 200
51	332	5.3	10.238	75	9323	99	9324	397	332	8.81E-04	GSS06 - 2S □□□ 071C03 MDSKS□□ 071-03 170
56	304	5.2	11.200	82	9323	109	9324	440	304	8.39E-04	GSS06 - 2S □□□ 071C03 MDSKS□□ 071-03 170
72	238	4.8	14.286	105	9323	139	9324	513	238	7.63E-04	GSS06 - 2S □□□ 071C03 MDSKS□□ 071-03 170
79	214	4.1	15.869	114	9323	151	9324	597	214	8.35E-04	GSS06 - 2S □□□ 071C03 MDSKS□□ 071-03 170
86	196	4.0	17.360	125	9323	165	9324	624	196	8.01E-04	GSS06 - 2S □□□ 071C03 MDSKS□□ 071-03 170

Observe the notes for thermal dimensioning.

Selection tables - Helical-worm gearboxes

Naturally ventilated synchronous geared servo motors

M ₂ [Nm]	n ₂ trans [rpm]	c	i	M ₂ max short-time M ₂ Gr on geared motor at				n ₂ therm gearbox c=1 n ₁ ≤ 1400 rpm		J _{GM} referred to motor shaft [kgm ²]	Servo helical- worm geared motor Dimensions on Page 7-47
				8 kHz		16 kHz		[Nm]	[rpm]		
				M ₂ max [Nm]	Type EVS	M ₂ max [Nm]	Type EVS				
110	154	3.7	22.143	159	9323	211	9324	673	154	7.39E-04	GSS06 - 2S □□□ 071C03 MDSKS□□ 071-03 170
135	125	3.5	27.125	195	9323	258	9324	718	125	7.04E-04	GSS06 - 2S □□□ 071C03 MDSKS□□ 071-03 170
150	107	2.4	31.738	214	9323	283	9324	609	107	8.10E-04	GSS06 - 2S □□□ 071C03 MDSKS□□ 071-03 170
175	96	3.3	35.306	253	9323	334	9324	720	96	6.66E-04	GSS06 - 2S □□□ 071C03 MDSKS□□ 071-03 170
183	87	2.2	39.200	261	9323	345	9324	637	87	7.63E-04	GSS06 - 2S □□□ 071C03 MDSKS□□ 071-03 170
219	77	2.8	43.917	313	9323	414	9324	720	77	6.47E-04	GSS06 - 2S □□□ 071C03 MDSKS□□ 071-03 170
233	68	2.1	50.000	332	9323	439	9324	693	68	7.16E-04	GSS06 - 2S □□□ 071C03 MDSKS□□ 071-03 170
255	63	2.1	54.250	363	9323	480	9324	720	63	6.95E-04	GSS06 - 2S □□□ 071C03 MDSKS□□ 071-03 170
285	56	1.9	61.250	406	9323	536	9324	720	56	6.89E-04	GSS06 - 2S □□□ 071C03 MDSKS□□ 071-03 170
331	48	1.8	70.611	469	9323	620	9324	720	48	6.61E-04	GSS06 - 2S □□□ 071C03 MDSKS□□ 071-03 170
371	43	1.6	79.722	525	9323	694	9324	720	43	6.57E-04	GSS06 - 2S □□□ 071C03 MDSKS□□ 071-03 170
411	39	1.5	87.833	581	9323	768	9324	720	39	6.44E-04	GSS06 - 2S □□□ 071C03 MDSKS□□ 071-03 170
460	34	1.4	99.167	649	9323	858	9324	720	34	6.42E-04	GSS06 - 2S □□□ 071C03 MDSKS□□ 071-03 170
530	30	1.3	113.667	748	9323	989	9324	720	30	6.28E-04	GSS06 - 2S □□□ 071C03 MDSKS□□ 071-03 170
593	26	1.2	128.333	835	9323	1058	9324	720	26	6.26E-04	GSS06 - 2S □□□ 071C03 MDSKS□□ 071-03 170
641	25	1.1	137.950	902	9323	1080	9324	720	25	6.20E-04	GSS06 - 2S □□□ 071C03 MDSKS□□ 071-03 170
715	22	1.0	155.750	1005	9323	1080	9324	720	22	6.19E-04	GSS06 - 2S □□□ 071C03 MDSKS□□ 071-03 170
76	361	3.3	10.238	116	9324	161	9325	397	361	1.08E-03	GSS06 - 2S □□□ 071C13 MDSKS□□ 071-13 185
83	330	3.2	11.200	128	9324	176	9325	440	330	1.04E-03	GSS06 - 2S □□□ 071C13 MDSKS□□ 071-13 185
106	259	3.1	14.286	163	9324	225	9325	513	259	9.63E-04	GSS06 - 2S □□□ 071C13 MDSKS□□ 071-13 185
116	233	2.6	15.869	178	9324	245	9325	597	233	1.03E-03	GSS06 - 2S □□□ 071C13 MDSKS□□ 071-13 185
127	213	2.5	17.360	194	9324	268	9325	624	213	1.00E-03	GSS06 - 2S □□□ 071C13 MDSKS□□ 071-13 185
163	167	2.3	22.143	248	9324	341	9325	673	167	9.39E-04	GSS06 - 2S □□□ 071C13 MDSKS□□ 071-13 185
199	136	2.2	27.125	303	9324	417	9325	718	136	9.04E-04	GSS06 - 2S □□□ 071C13 MDSKS□□ 071-13 185
220	117	1.5	31.738	332	9324	458	9325	609	117	1.01E-03	GSS06 - 2S □□□ 071C13 MDSKS□□ 071-13 185
259	105	2.1	35.306	393	9324	542	9325	720	105	8.66E-04	GSS06 - 2S □□□ 071C13 MDSKS□□ 071-13 185
269	94	1.4	39.200	406	9324	560	9325	637	94	9.63E-04	GSS06 - 2S □□□ 071C13 MDSKS□□ 071-13 185
322	84	1.9	43.917	487	9324	672	9325	720	84	8.47E-04	GSS06 - 2S □□□ 071C13 MDSKS□□ 071-13 185
343	74	1.3	50.000	516	9324	680	9325	693	74	9.16E-04	GSS06 - 2S □□□ 071C13 MDSKS□□ 071-13 185
374	68	1.3	54.250	564	9324	738	9325	720	68	8.95E-04	GSS06 - 2S □□□ 071C13 MDSKS□□ 071-13 185
419	60	1.2	61.250	630	9324	784	9325	720	60	8.89E-04	GSS06 - 2S □□□ 071C13 MDSKS□□ 071-13 185
485	52	1.2	70.611	729	9324	846	9325	720	52	8.61E-04	GSS06 - 2S □□□ 071C13 MDSKS□□ 071-13 185
543	46	1.1	79.722	816	9324	858	9325	720	46	8.57E-04	GSS06 - 2S □□□ 071C13 MDSKS□□ 071-13 185
602	42	1.0	87.833	903	9324	913	9325	720	42	8.44E-04	GSS06 - 2S □□□ 071C13 MDSKS□□ 071-13 185

Observe the notes for thermal dimensioning.

Selection tables - Helical-worm gearboxes

Naturally ventilated synchronous geared servo motors



M ₂ [Nm]	n ₂ trans [rpm]	c	i	M ₂ max short-time M ₂ Gr on geared motor at				n ₂ therm gearbox c=1 n ₁ ≤ 1400 rpm		J _{GM} referred to motor shaft [kgm ²]	Servo helical- worm geared motor Dimensions on Page 7-47
				8 kHz		16 kHz		[Nm]	[rpm]		
				M ₂ max [Nm]	Type EVS	M ₂ max [Nm]	Type EVS				
114	352	2.2	10.238	224	9325	168	9325	397	352	1.28E-03	GSS06 - 2S □□□ 071C33 MDSKS□□ 071-33 180
124	321	2.2	11.200	246	9325	184	9325	440	321	1.24E-03	GSS06 - 2S □□□ 071C33 MDSKS□□ 071-33 180
159	252	2.1	14.286	314	9325	235	9325	513	252	1.16E-03	GSS06 - 2S □□□ 071C33 MDSKS□□ 071-33 180
174	227	1.7	15.869	342	9325	256	9325	597	227	1.23E-03	GSS06 - 2S □□□ 071C33 MDSKS□□ 071-33 180
190	207	1.7	17.360	374	9325	280	9325	624	207	1.20E-03	GSS06 - 2S □□□ 071C33 MDSKS□□ 071-33 180
243	163	1.6	22.143	477	9325	357	9325	673	163	1.14E-03	GSS06 - 2S □□□ 071C33 MDSKS□□ 071-33 180
297	133	1.5	27.125	583	9325	437	9325	718	133	1.10E-03	GSS06 - 2S □□□ 071C33 MDSKS□□ 071-33 180
328	113	1.0	31.738	503	9325	479	9325	609	113	1.21E-03	GSS06 - 2S □□□ 071C33 MDSKS□□ 071-33 180
387	102	1.4	35.306	757	9325	567	9325	720	102	1.07E-03	GSS06 - 2S □□□ 071C33 MDSKS□□ 071-33 180
480	82	1.3	43.917	902	9325	703	9325	720	82	1.05E-03	GSS06 - 2S □□□ 071C33 MDSKS□□ 071-33 180
276	30	1.4	126.531	458	9322	531	9323	720	30	1.71E-04	GSS06 - 3S □□□ 056C23 MDSKS□□ 056-23 190
307	27	1.4	142.857	511	9322	591	9323	720	27	1.70E-04	GSS06 - 3S □□□ 056C23 MDSKS□□ 056-23 190
336	25	1.2	155.000	557	9322	611	9323	720	25	1.67E-04	GSS06 - 3S □□□ 056C23 MDSKS□□ 056-23 190
374	22	1.2	175.000	619	9322	680	9323	720	22	1.66E-04	GSS06 - 3S □□□ 056C23 MDSKS□□ 056-23 190
418	20	1.0	194.857	638	9322	638	9323	720	20	1.54E-04	GSS06 - 3S □□□ 056C23 MDSKS□□ 056-23 190
465	17	1.0	220.000	709	9322	709	9323	720	17	1.54E-04	GSS06 - 3S □□□ 056C23 MDSKS□□ 056-23 190
563	27	1.2	126.531	793	9323	1047	9324	720	27	6.31E-04	GSS06 - 3S □□□ 071C03 MDSKS□□ 071-03 170
628	24	1.1	142.857	884	9323	1058	9324	720	24	6.30E-04	GSS06 - 3S □□□ 071C03 MDSKS□□ 071-03 170
685	22	1.1	155.000	963	9323	1080	9324	720	22	6.27E-04	GSS06 - 3S □□□ 071C03 MDSKS□□ 071-03 170
257	33	4.6	113.667	443	9322	513	9323	1250	33	2.23E-04	GSS07 - 2S □□□ 056C23 MDSKS□□ 056-23 190
288	30	4.2	128.333	495	9322	573	9323	1250	30	2.19E-04	GSS07 - 2S □□□ 056C23 MDSKS□□ 056-23 190
313	28	3.9	137.950	535	9322	619	9323	1250	28	2.01E-04	GSS07 - 2S □□□ 056C23 MDSKS□□ 056-23 190
351	24	3.4	155.750	598	9322	692	9323	1250	24	1.98E-04	GSS07 - 2S □□□ 056C23 MDSKS□□ 056-23 190
395	22	3.1	174.375	670	9322	776	9323	1250	22	1.79E-04	GSS07 - 2S □□□ 056C23 MDSKS□□ 056-23 190
444	19	2.7	196.875	749	9322	867	9323	1250	19	1.77E-04	GSS07 - 2S □□□ 056C23 MDSKS□□ 056-23 190
393	35	3.1	113.667	659	9323	858	9324	1250	35	2.83E-04	GSS07 - 2S □□□ 056C33 MDSKS□□ 056-33 200
440	31	2.8	128.333	736	9323	958	9324	1250	31	2.79E-04	GSS07 - 2S □□□ 056C33 MDSKS□□ 056-33 200
476	29	2.6	137.950	795	9323	1035	9324	1250	29	2.61E-04	GSS07 - 2S □□□ 056C33 MDSKS□□ 056-33 200
534	26	2.3	155.750	889	9323	1157	9324	1250	26	2.58E-04	GSS07 - 2S □□□ 056C33 MDSKS□□ 056-33 200
600	23	2.0	174.375	996	9323	1297	9324	1250	23	2.39E-04	GSS07 - 2S □□□ 056C33 MDSKS□□ 056-33 200
673	20	1.8	196.875	1113	9323	1450	9324	1250	20	2.37E-04	GSS07 - 2S □□□ 056C33 MDSKS□□ 056-33 200
108	154	5.6	22.143	160	9323	212	9324	836	154	1.02E-03	GSS07 - 2S □□□ 071C03 MDSKS□□ 071-03 170
174	96	4.9	35.306	255	9323	337	9324	1052	96	7.96E-04	GSS07 - 2S □□□ 071C03 MDSKS□□ 071-03 170
213	79	4.7	43.271	312	9323	413	9324	1090	79	7.43E-04	GSS07 - 2S □□□ 071C03 MDSKS□□ 071-03 170

Observe the notes for thermal dimensioning.

Selection tables - Helical-worm gearboxes

Naturally ventilated synchronous geared servo motors

M ₂ [Nm]	n ₂ trans [rpm]	c	i	M ₂ max short-time M ₂ Gr on geared motor at				n ₂ therm gearbox c=1 n ₁ ≤ 1400 rpm		J _{GM} referred to motor shaft [kgm ²]	Servo helical- worm geared motor Dimensions on Page 7-47
				8 kHz		16 kHz		[Nm]	[rpm]		
				M ₂ max [Nm]	Type EVS	M ₂ max [Nm]	Type EVS				
235	68	3.2	50.000	338	9323	447	9324	1250	68	9.53E-04	GSS07 - 2S □□□ 071C03 MDSKS□□ 071-03 170
334	48	3.0	70.611	480	9323	635	9324	1250	48	7.81E-04	GSS07 - 2S □□□ 071C03 MDSKS□□ 071-03 170
374	43	2.8	79.722	537	9323	710	9324	1250	43	7.70E-04	GSS07 - 2S □□□ 071C03 MDSKS□□ 071-03 170
409	39	2.8	86.542	587	9323	777	9324	1250	39	7.34E-04	GSS07 - 2S □□□ 071C03 MDSKS□□ 071-03 170
458	35	2.5	97.708	656	9323	868	9324	1250	35	7.26E-04	GSS07 - 2S □□□ 071C03 MDSKS□□ 071-03 170
538	30	2.3	113.667	767	9323	1014	9324	1250	30	6.83E-04	GSS07 - 2S □□□ 071C03 MDSKS□□ 071-03 170
602	26	2.1	128.333	857	9323	1133	9324	1250	26	6.79E-04	GSS07 - 2S □□□ 071C03 MDSKS□□ 071-03 170
651	25	1.9	137.950	925	9323	1223	9324	1250	25	6.61E-04	GSS07 - 2S □□□ 071C03 MDSKS□□ 071-03 170
730	22	1.7	155.750	1034	9323	1368	9324	1250	22	6.58E-04	GSS07 - 2S □□□ 071C03 MDSKS□□ 071-03 170
820	20	1.5	174.375	1159	9323	1533	9324	1250	20	6.39E-04	GSS07 - 2S □□□ 071C03 MDSKS□□ 071-03 170
918	17	1.4	196.875	1296	9323	1714	9324	1250	17	6.37E-04	GSS07 - 2S □□□ 071C03 MDSKS□□ 071-03 170
106	259	4.5	14.286	165	9324	227	9325	559	259	1.28E-03	GSS07 - 2S □□□ 071C13 MDSKS□□ 071-13 185
162	167	3.5	22.143	249	9324	344	9325	836	167	1.22E-03	GSS07 - 2S □□□ 071C13 MDSKS□□ 071-13 185
258	105	3.1	35.306	397	9324	547	9325	1052	105	9.96E-04	GSS07 - 2S □□□ 071C13 MDSKS□□ 071-13 185
317	86	2.9	43.271	485	9324	669	9325	1090	86	9.43E-04	GSS07 - 2S □□□ 071C13 MDSKS□□ 071-13 185
346	74	2.0	50.000	526	9324	725	9325	1250	74	1.15E-03	GSS07 - 2S □□□ 071C13 MDSKS□□ 071-13 185
493	52	1.9	70.611	747	9324	1030	9325	1250	52	9.81E-04	GSS07 - 2S □□□ 071C13 MDSKS□□ 071-13 185
551	46	1.8	79.722	834	9324	1151	9325	1250	46	9.70E-04	GSS07 - 2S □□□ 071C13 MDSKS□□ 071-13 185
603	43	1.8	86.542	913	9324	1259	9325	1250	43	9.34E-04	GSS07 - 2S □□□ 071C13 MDSKS□□ 071-13 185
675	38	1.7	97.708	1020	9324	1406	9325	1250	38	9.26E-04	GSS07 - 2S □□□ 071C13 MDSKS□□ 071-13 185
790	33	1.5	113.667	1192	9324	1644	9325	1250	33	8.83E-04	GSS07 - 2S □□□ 071C13 MDSKS□□ 071-13 185
883	29	1.4	128.333	1332	9324	1836	9325	1250	29	8.79E-04	GSS07 - 2S □□□ 071C13 MDSKS□□ 071-13 185
955	27	1.3	137.950	1438	9324	1868	9325	1250	27	8.61E-04	GSS07 - 2S □□□ 071C13 MDSKS□□ 071-13 185
1070	24	1.2	155.750	1608	9324	1869	9325	1250	24	8.58E-04	GSS07 - 2S □□□ 071C13 MDSKS□□ 071-13 185
1201	21	1.0	174.375	1802	9324	1866	9325	1250	21	8.39E-04	GSS07 - 2S □□□ 071C13 MDSKS□□ 071-13 185
159	252	3.1	14.286	318	9325	238	9325	559	252	1.48E-03	GSS07 - 2S □□□ 071C33 MDSKS□□ 071-33 180
243	163	2.4	22.143	480	9325	360	9325	836	163	1.42E-03	GSS07 - 2S □□□ 071C33 MDSKS□□ 071-33 180
387	102	2.1	35.306	764	9325	572	9325	1052	102	1.20E-03	GSS07 - 2S □□□ 071C33 MDSKS□□ 071-33 180
474	83	2.0	43.271	935	9325	700	9325	1090	83	1.14E-03	GSS07 - 2S □□□ 071C33 MDSKS□□ 071-33 180
517	72	1.4	50.000	1013	9325	759	9325	1250	72	1.35E-03	GSS07 - 2S □□□ 071C33 MDSKS□□ 071-33 180
735	51	1.3	70.611	1402	9325	1077	9325	1250	51	1.18E-03	GSS07 - 2S □□□ 071C33 MDSKS□□ 071-33 180
822	45	1.2	79.722	1486	9325	1203	9325	1250	45	1.17E-03	GSS07 - 2S □□□ 071C33 MDSKS□□ 071-33 180
900	42	1.2	86.542	1629	9325	1317	9325	1250	42	1.13E-03	GSS07 - 2S □□□ 071C33 MDSKS□□ 071-33 180
1006	37	1.1	97.708	1700	9325	1471	9325	1250	37	1.13E-03	GSS07 - 2S □□□ 071C33 MDSKS□□ 071-33 180

Observe the notes for thermal dimensioning.

Selection tables - Helical-worm gearboxes

Naturally ventilated synchronous geared servo motors



M ₂ [Nm]	n ₂ trans [rpm]	c	i	M ₂ max short-time M ₂ Gr on geared motor at				n ₂ therm gearbox c=1 n ₁ ≤ 1400 rpm		J _{GM} referred to motor shaft [kgm ²]	Servo helical- worm geared motor Dimensions on Page 7-47
				8 kHz		16 kHz		[Nm]	[rpm]		
				M ₂ max [Nm]	Type EVS	M ₂ max [Nm]	Type EVS				
1177	32	1.0	113.667	1842	9325	1720	9325	1250	32	1.08E-03	GSS07 - 2S □□□ 071C33 MDSKS□□ 071-33 180
278	30	2.7	126.531	470	9322	544	9323	1250	30	2.26E-04	GSS07 - 3S □□□ 056C23 MDSKS□□ 056-23 190
311	27	2.6	142.857	525	9322	608	9323	1250	27	2.22E-04	GSS07 - 3S □□□ 056C23 MDSKS□□ 056-23 190
339	25	2.6	155.000	572	9322	662	9323	1250	25	2.14E-04	GSS07 - 3S □□□ 056C23 MDSKS□□ 056-23 190
380	22	2.5	175.000	640	9322	741	9323	1250	22	2.12E-04	GSS07 - 3S □□□ 056C23 MDSKS□□ 056-23 190
439	19	2.3	201.746	737	9322	853	9323	1250	19	1.77E-04	GSS07 - 3S □□□ 056C23 MDSKS□□ 056-23 190
491	17	2.2	227.778	823	9322	953	9323	1250	17	1.76E-04	GSS07 - 3S □□□ 056C23 MDSKS□□ 056-23 190
535	15	2.0	247.139	896	9322	1037	9323	1250	15	1.73E-04	GSS07 - 3S □□□ 056C23 MDSKS□□ 056-23 190
597	14	1.9	279.028	998	9322	1156	9323	1250	14	1.72E-04	GSS07 - 3S □□□ 056C23 MDSKS□□ 056-23 190
695	12	1.4	321.673	1155	9322	1337	9323	1250	12	1.68E-04	GSS07 - 3S □□□ 056C23 MDSKS□□ 056-23 190
771	10	1.4	363.179	1281	9322	1483	9323	1250	10	1.68E-04	GSS07 - 3S □□□ 056C23 MDSKS□□ 056-23 190
847	9.6	1.2	394.245	1404	9322	1560	9323	1250	9.6	1.66E-04	GSS07 - 3S □□□ 056C23 MDSKS□□ 056-23 190
936	8.5	1.2	445.116	1553	9322	1725	9323	1250	8.5	1.65E-04	GSS07 - 3S □□□ 056C23 MDSKS□□ 056-23 190
1035	7.8	1.1	490.403	1663	9322	1663	9323	1250	7.8	1.58E-04	GSS07 - 3S □□□ 056C23 MDSKS□□ 056-23 190
1151	6.9	1.0	553.681	1774	9322	1774	9323	1250	6.9	1.58E-04	GSS07 - 3S □□□ 056C23 MDSKS□□ 056-23 190
422	32	1.8	126.531	699	9323	910	9324	1250	32	2.86E-04	GSS07 - 3S □□□ 056C33 MDSKS□□ 056-33 200
472	28	1.7	142.857	781	9323	1017	9324	1250	28	2.82E-04	GSS07 - 3S □□□ 056C33 MDSKS□□ 056-33 200
514	26	1.7	155.000	850	9323	1107	9324	1250	26	2.74E-04	GSS07 - 3S □□□ 056C33 MDSKS□□ 056-33 200
576	23	1.7	175.000	951	9323	1238	9324	1250	23	2.72E-04	GSS07 - 3S □□□ 056C33 MDSKS□□ 056-33 200
664	20	1.5	201.746	1095	9323	1426	9324	1250	20	2.37E-04	GSS07 - 3S □□□ 056C33 MDSKS□□ 056-33 200
743	18	1.4	227.778	1224	9323	1593	9324	1250	18	2.36E-04	GSS07 - 3S □□□ 056C33 MDSKS□□ 056-33 200
809	16	1.3	247.139	1331	9323	1606	9324	1250	16	2.33E-04	GSS07 - 3S □□□ 056C33 MDSKS□□ 056-33 200
902	14	1.3	279.028	1483	9323	1719	9324	1250	14	2.32E-04	GSS07 - 3S □□□ 056C33 MDSKS□□ 056-33 200
571	27	2.2	126.531	813	9323	1075	9324	1250	27	6.86E-04	GSS07 - 3S □□□ 071C03 MDSKS□□ 071-03 170
639	24	1.9	142.857	909	9323	1202	9324	1250	24	6.82E-04	GSS07 - 3S □□□ 071C03 MDSKS□□ 071-03 170
697	22	1.8	155.000	989	9323	1308	9324	1250	22	6.74E-04	GSS07 - 3S □□□ 071C03 MDSKS□□ 071-03 170
782	19	1.6	175.000	1107	9323	1463	9324	1250	19	6.72E-04	GSS07 - 3S □□□ 071C03 MDSKS□□ 071-03 170
903	17	1.4	201.746	1275	9323	1685	9324	1250	17	6.37E-04	GSS07 - 3S □□□ 071C03 MDSKS□□ 071-03 170
1011	15	1.2	227.778	1424	9323	1875	9324	1250	15	6.36E-04	GSS07 - 3S □□□ 071C03 MDSKS□□ 071-03 170
1101	14	1.1	247.139	1549	9323	1875	9324	1250	14	6.33E-04	GSS07 - 3S □□□ 071C03 MDSKS□□ 071-03 170
1229	12	1.0	279.028	1727	9323	1875	9324	1250	12	6.32E-04	GSS07 - 3S □□□ 071C03 MDSKS□□ 071-03 170

Observe the notes for thermal dimensioning.

Selection tables - Helical-worm gearboxes

Forced ventilated synchronous geared servo motors

M ₂ [Nm]	n ₂ trans [rpm]	c	i	M ₂ max short-time M ₂ Gr on geared motor at				n ₂ therm gearbox c=1 n ₁ ≤ 1400 rpm		J _G M referred to motor shaft [kgm ²]	Servo helical- worm geared motor Dimensions on Page 7-47
				8 kHz		16 kHz		[Nm]	[rpm]		
				M ₂ max [Nm]	Type EVS	M ₂ max [Nm]	Type EVS				
37	585	1.5	5.639	68	9324	53	9324	149	585	7.12E-04	GSS04 - 2S □□□ 071C03 MDFKS□□ 071-03 165
51	427	1.7	7.733	94	9324	73	9324	158	427	6.65E-04	GSS04 - 2S □□□ 071C03 MDFKS□□ 071-03 165
60	365	1.8	9.042	110	9324	85	9324	154	365	6.81E-04	GSS04 - 2S □□□ 071C03 MDFKS□□ 071-03 165
66	333	1.7	9.897	122	9324	94	9324	161	333	6.43E-04	GSS04 - 2S □□□ 071C03 MDFKS□□ 071-03 165
73	305	1.7	10.827	133	9324	103	9324	161	305	6.37E-04	GSS04 - 2S □□□ 071C03 MDFKS□□ 071-03 165
82	266	1.5	12.400	151	9324	117	9324	170	266	6.49E-04	GSS04 - 2S □□□ 071C03 MDFKS□□ 071-03 165
93	239	1.6	13.810	171	9324	132	9324	163	239	6.25E-04	GSS04 - 2S □□□ 071C03 MDFKS□□ 071-03 165
105	208	1.3	15.869	193	9324	149	9324	180	208	6.33E-04	GSS04 - 2S □□□ 071C03 MDFKS□□ 071-03 165
115	190	1.2	17.360	211	9324	163	9324	180	190	6.28E-04	GSS04 - 2S □□□ 071C03 MDFKS□□ 071-03 165
147	149	1.0	22.143	230	9324	207	9324	180	149	6.20E-04	GSS04 - 2S □□□ 071C03 MDFKS□□ 071-03 165
88	398	1.1	9.042	147	9325	138	9325	154	398	8.81E-04	GSS04 - 2S □□□ 071C13 MDFKS□□ 071-13 180
98	364	1.0	9.897	153	9325	153	9325	161	364	8.43E-04	GSS04 - 2S □□□ 071C13 MDFKS□□ 071-13 180
107	333	1.0	10.827	168	9325	168	9325	161	333	8.37E-04	GSS04 - 2S □□□ 071C13 MDFKS□□ 071-13 180
137	261	1.0	13.810	216	9325	215	9325	163	261	8.25E-04	GSS04 - 2S □□□ 071C13 MDFKS□□ 071-13 180
37	585	3.1	5.639	69	9324	54	9324	219	585	8.82E-04	GSS05 - 2S □□□ 071C03 MDFKS□□ 071-03 165
51	427	2.9	7.733	96	9324	74	9324	267	427	7.66E-04	GSS05 - 2S □□□ 071C03 MDFKS□□ 071-03 165
58	365	2.2	9.042	107	9324	83	9324	251	365	8.01E-04	GSS05 - 2S □□□ 071C03 MDFKS□□ 071-03 165
66	333	2.7	9.897	123	9324	95	9324	271	333	7.10E-04	GSS05 - 2S □□□ 071C03 MDFKS□□ 071-03 165
72	305	2.6	10.827	135	9324	104	9324	272	305	6.94E-04	GSS05 - 2S □□□ 071C03 MDFKS□□ 071-03 165
80	266	2.3	12.400	149	9324	115	9324	279	266	7.23E-04	GSS05 - 2S □□□ 071C03 MDFKS□□ 071-03 165
93	239	2.4	13.810	172	9324	133	9324	275	239	6.64E-04	GSS05 - 2S □□□ 071C03 MDFKS□□ 071-03 165
104	208	2.1	15.869	191	9324	148	9324	301	208	6.84E-04	GSS05 - 2S □□□ 071C03 MDFKS□□ 071-03 165
114	190	2.0	17.360	210	9324	162	9324	311	190	6.72E-04	GSS05 - 2S □□□ 071C03 MDFKS□□ 071-03 165
118	162	1.2	20.417	211	9324	167	9324	253	162	7.60E-04	GSS05 - 2S □□□ 071C03 MDFKS□□ 071-03 165
146	149	1.7	22.143	268	9324	208	9324	337	149	6.50E-04	GSS05 - 2S □□□ 071C03 MDFKS□□ 071-03 165
150	133	1.3	24.800	274	9324	212	9324	280	133	7.06E-04	GSS05 - 2S □□□ 071C03 MDFKS□□ 071-03 165
179	122	1.5	27.125	329	9324	255	9324	360	122	6.38E-04	GSS05 - 2S □□□ 071C03 MDFKS□□ 071-03 165
194	104	1.1	31.738	329	9324	274	9324	306	104	6.73E-04	GSS05 - 2S □□□ 071C03 MDFKS□□ 071-03 165
234	93	1.2	35.306	429	9324	332	9324	360	93	6.23E-04	GSS05 - 2S □□□ 071C03 MDFKS□□ 071-03 165
292	75	1.1	43.917	470	9324	413	9324	360	75	6.17E-04	GSS05 - 2S □□□ 071C03 MDFKS□□ 071-03 165
55	638	2.0	5.639	110	9325	87	9325	219	638	1.08E-03	GSS05 - 2S □□□ 071C13 MDFKS□□ 071-13 180
76	466	1.8	7.733	152	9325	120	9325	267	466	9.66E-04	GSS05 - 2S □□□ 071C13 MDFKS□□ 071-13 180
86	398	1.2	9.042	156	9325	134	9325	251	398	1.00E-03	GSS05 - 2S □□□ 071C13 MDFKS□□ 071-13 180
98	364	1.7	9.897	196	9325	154	9325	271	364	9.10E-04	GSS05 - 2S □□□ 071C13 MDFKS□□ 071-13 180

Observe the notes for thermal dimensioning.

Selection tables - Helical-worm gearboxes

Forced ventilated synchronous geared servo motors



M ₂ [Nm]	n _{2 trans} [rpm]	c	i	M _{2 max} short-time M _{2 Gr} on geared motor at				n _{2 therm} gearbox c=1 n ₁ ≤ 1400 rpm		J _{GM} referred to motor shaft [kgm ²]	Servo helical- worm geared motor Dimensions on Page 7-47
				8 kHz		16 kHz		M _{2 max} [Nm]	Type EVS		
107	333	1.6	10.827	215	9325	169	9325			272	333
119	290	1.4	12.400	237	9325	187	9325	279	290	9.23E-04	GSS05 - 2S □□□ 071C13 MDFKS□□ 071-13 180
138	261	1.5	13.810	275	9325	216	9325	275	261	8.64E-04	GSS05 - 2S □□□ 071C13 MDFKS□□ 071-13 180
153	227	1.4	15.869	305	9325	240	9325	301	227	8.84E-04	GSS05 - 2S □□□ 071C13 MDFKS□□ 071-13 180
168	207	1.3	17.360	330	9325	263	9325	311	207	8.72E-04	GSS05 - 2S □□□ 071C13 MDFKS□□ 071-13 180
215	163	1.1	22.143	358	9325	337	9325	337	163	8.50E-04	GSS05 - 2S □□□ 071C13 MDFKS□□ 071-13 180
81	621	1.5	5.639	121	9325	139	9326	219	621	1.28E-03	GSS05 - 2S □□□ 071C33 MDFKS□□ 071-33 175
113	453	1.3	7.733	168	9325	192	9326	267	453	1.17E-03	GSS05 - 2S □□□ 071C33 MDFKS□□ 071-33 175
126	387	1.0	9.042	187	9325	190	9326	251	387	1.20E-03	GSS05 - 2S □□□ 071C33 MDFKS□□ 071-33 175
145	354	1.2	9.897	215	9325	247	9326	271	354	1.11E-03	GSS05 - 2S □□□ 071C33 MDFKS□□ 071-33 175
159	323	1.2	10.827	236	9325	271	9326	272	323	1.09E-03	GSS05 - 2S □□□ 071C33 MDFKS□□ 071-33 175
176	282	1.1	12.400	261	9325	280	9326	279	282	1.12E-03	GSS05 - 2S □□□ 071C33 MDFKS□□ 071-33 175
204	253	1.1	13.810	302	9325	340	9326	275	253	1.06E-03	GSS05 - 2S □□□ 071C33 MDFKS□□ 071-33 175
68	322	4.0	10.238	128	9324	99	9324	397	322	8.81E-04	GSS06 - 2S □□□ 071C03 MDFKS□□ 071-03 165
74	295	4.0	11.200	140	9324	109	9324	440	295	8.39E-04	GSS06 - 2S □□□ 071C03 MDFKS□□ 071-03 165
95	231	3.7	14.286	179	9324	139	9324	513	231	7.63E-04	GSS06 - 2S □□□ 071C03 MDFKS□□ 071-03 165
105	208	3.1	15.869	195	9324	151	9324	597	208	8.35E-04	GSS06 - 2S □□□ 071C03 MDFKS□□ 071-03 165
114	190	3.0	17.360	214	9324	165	9324	624	190	8.01E-04	GSS06 - 2S □□□ 071C03 MDFKS□□ 071-03 165
146	149	2.8	22.143	272	9324	211	9324	673	149	7.39E-04	GSS06 - 2S □□□ 071C03 MDFKS□□ 071-03 165
179	122	2.7	27.125	333	9324	258	9324	718	122	7.04E-04	GSS06 - 2S □□□ 071C03 MDFKS□□ 071-03 165
198	104	1.8	31.738	365	9324	283	9324	609	104	8.10E-04	GSS06 - 2S □□□ 071C03 MDFKS□□ 071-03 165
233	93	2.5	35.306	432	9324	334	9324	720	93	6.66E-04	GSS06 - 2S □□□ 071C03 MDFKS□□ 071-03 165
242	84	1.7	39.200	446	9324	345	9324	637	84	7.63E-04	GSS06 - 2S □□□ 071C03 MDFKS□□ 071-03 165
290	75	2.1	43.917	535	9324	414	9324	720	75	6.47E-04	GSS06 - 2S □□□ 071C03 MDFKS□□ 071-03 165
309	66	1.6	50.000	567	9324	439	9324	693	66	7.16E-04	GSS06 - 2S □□□ 071C03 MDFKS□□ 071-03 165
337	61	1.6	54.250	619	9324	480	9324	720	61	6.95E-04	GSS06 - 2S □□□ 071C03 MDFKS□□ 071-03 165
378	54	1.4	61.250	693	9324	536	9324	720	54	6.89E-04	GSS06 - 2S □□□ 071C03 MDFKS□□ 071-03 165
437	47	1.3	70.611	801	9324	620	9324	720	47	6.61E-04	GSS06 - 2S □□□ 071C03 MDFKS□□ 071-03 165
490	41	1.2	79.722	896	9324	694	9324	720	41	6.57E-04	GSS06 - 2S □□□ 071C03 MDFKS□□ 071-03 165
543	38	1.2	87.833	956	9324	768	9324	720	38	6.44E-04	GSS06 - 2S □□□ 071C03 MDFKS□□ 071-03 165
607	33	1.1	99.167	968	9324	858	9324	720	33	6.42E-04	GSS06 - 2S □□□ 071C03 MDFKS□□ 071-03 165
101	352	2.5	10.238	204	9325	161	9325	397	352	1.08E-03	GSS06 - 2S □□□ 071C13 MDFKS□□ 071-13 180
111	321	2.4	11.200	224	9325	176	9325	440	321	1.04E-03	GSS06 - 2S □□□ 071C13 MDFKS□□ 071-13 180
142	252	2.3	14.286	286	9325	225	9325	513	252	9.63E-04	GSS06 - 2S □□□ 071C13 MDFKS□□ 071-13 180

Observe the notes for thermal dimensioning.

Selection tables - Helical-worm gearboxes

Forced ventilated synchronous geared servo motors

M ₂ [Nm]	n _{2 trans} [rpm]	c	i	M _{2 max} short-time M _{2 Gr} on geared motor at				n _{2 therm} gearbox c=1 n ₁ ≤ 1400 rpm		J _G M referred to motor shaft [kgm ²]	Servo helical- worm geared motor Dimensions on Page 7-47
				8 kHz		16 kHz		[Nm]	[rpm]		
				M _{2 max} [Nm]	Type EVS	M _{2 max} [Nm]	Type EVS				
155	227	1.9	15.869	311	9325	245	9325	597	227	1.03E-03	GSS06 - 2S □□□ 071C13 MDFKS□□ 071-13 180
170	207	1.9	17.360	341	9325	268	9325	624	207	1.00E-03	GSS06 - 2S □□□ 071C13 MDFKS□□ 071-13 180
217	163	1.8	22.143	434	9325	341	9325	673	163	9.39E-04	GSS06 - 2S □□□ 071C13 MDFKS□□ 071-13 180
265	133	1.7	27.125	531	9325	417	9325	718	133	9.04E-04	GSS06 - 2S □□□ 071C13 MDFKS□□ 071-13 180
293	113	1.1	31.738	503	9325	458	9325	609	113	1.01E-03	GSS06 - 2S □□□ 071C13 MDFKS□□ 071-13 180
345	102	1.6	35.306	689	9325	542	9325	720	102	8.66E-04	GSS06 - 2S □□□ 071C13 MDFKS□□ 071-13 180
358	92	1.1	39.200	573	9325	560	9325	637	92	9.63E-04	GSS06 - 2S □□□ 071C13 MDFKS□□ 071-13 180
428	82	1.4	43.917	854	9325	672	9325	720	82	8.47E-04	GSS06 - 2S □□□ 071C13 MDFKS□□ 071-13 180
150	342	1.9	10.238	224	9325	258	9326	397	342	1.28E-03	GSS06 - 2S □□□ 071C33 MDFKS□□ 071-33 175
164	313	1.8	11.200	246	9325	282	9326	440	313	1.24E-03	GSS06 - 2S □□□ 071C33 MDFKS□□ 071-33 175
211	245	1.7	14.286	314	9325	361	9326	513	245	1.16E-03	GSS06 - 2S □□□ 071C33 MDFKS□□ 071-33 175
230	221	1.4	15.869	342	9325	393	9326	597	221	1.23E-03	GSS06 - 2S □□□ 071C33 MDFKS□□ 071-33 175
252	202	1.4	17.360	374	9325	430	9326	624	202	1.20E-03	GSS06 - 2S □□□ 071C33 MDFKS□□ 071-33 175
321	158	1.3	22.143	477	9325	548	9326	673	158	1.14E-03	GSS06 - 2S □□□ 071C33 MDFKS□□ 071-33 175
393	129	1.2	27.125	583	9325	670	9326	718	129	1.10E-03	GSS06 - 2S □□□ 071C33 MDFKS□□ 071-33 175
511	99	1.1	35.306	757	9325	870	9326	720	99	1.07E-03	GSS06 - 2S □□□ 071C33 MDFKS□□ 071-33 175
95	231	5.5	14.286	181	9324	140	9324	559	231	1.08E-03	GSS07 - 2S □□□ 071C03 MDFKS□□ 071-03 165
145	149	4.2	22.143	274	9324	212	9324	836	149	1.02E-03	GSS07 - 2S □□□ 071C03 MDFKS□□ 071-03 165
232	93	3.7	35.306	436	9324	337	9324	1052	93	7.96E-04	GSS07 - 2S □□□ 071C03 MDFKS□□ 071-03 165
284	76	3.6	43.271	533	9324	413	9324	1090	76	7.43E-04	GSS07 - 2S □□□ 071C03 MDFKS□□ 071-03 165
311	66	2.4	50.000	578	9324	447	9324	1250	66	9.53E-04	GSS07 - 2S □□□ 071C03 MDFKS□□ 071-03 165
443	47	2.3	70.611	820	9324	635	9324	1250	47	7.81E-04	GSS07 - 2S □□□ 071C03 MDFKS□□ 071-03 165
496	41	2.2	79.722	917	9324	710	9324	1250	41	7.70E-04	GSS07 - 2S □□□ 071C03 MDFKS□□ 071-03 165
543	38	2.1	86.542	1003	9324	777	9324	1250	38	7.34E-04	GSS07 - 2S □□□ 071C03 MDFKS□□ 071-03 165
608	34	1.9	97.708	1121	9324	868	9324	1250	34	7.26E-04	GSS07 - 2S □□□ 071C03 MDFKS□□ 071-03 165
712	29	1.7	113.667	1310	9324	1014	9324	1250	29	6.83E-04	GSS07 - 2S □□□ 071C03 MDFKS□□ 071-03 165
797	26	1.6	128.333	1463	9324	1133	9324	1250	26	6.79E-04	GSS07 - 2S □□□ 071C03 MDFKS□□ 071-03 165
862	24	1.4	137.950	1580	9324	1223	9324	1250	24	6.61E-04	GSS07 - 2S □□□ 071C03 MDFKS□□ 071-03 165
965	21	1.3	155.750	1767	9324	1368	9324	1250	21	6.58E-04	GSS07 - 2S □□□ 071C03 MDFKS□□ 071-03 165
1084	19	1.2	174.375	1875	9324	1533	9324	1250	19	6.39E-04	GSS07 - 2S □□□ 071C03 MDFKS□□ 071-03 165
1213	17	1.0	196.875	1875	9324	1714	9324	1250	17	6.37E-04	GSS07 - 2S □□□ 071C03 MDFKS□□ 071-03 165
142	252	3.4	14.286	289	9325	227	9325	559	252	1.28E-03	GSS07 - 2S □□□ 071C13 MDFKS□□ 071-13 180
216	163	2.6	22.143	437	9325	344	9325	836	163	1.22E-03	GSS07 - 2S □□□ 071C13 MDFKS□□ 071-13 180
345	102	2.3	35.306	695	9325	547	9325	1052	102	9.96E-04	GSS07 - 2S □□□ 071C13 MDFKS□□ 071-13 180

Observe the notes for thermal dimensioning.

Selection tables - Helical-worm gearboxes

Forced ventilated synchronous geared servo motors



M ₂ [Nm]	n ₂ trans [rpm]	c	i	M ₂ max short-time M ₂ Gr on geared motor at				n ₂ therm gearbox c=1 n ₁ ≤ 1400 rpm		J _{GM} referred to motor shaft [kgm ²]	Servo helical- worm geared motor Dimensions on Page 7-47
				8 kHz		16 kHz		[Nm]	[rpm]		
				M ₂ max [Nm]	Type EVS	M ₂ max [Nm]	Type EVS				
423	83	2.2	43.271	850	9325	669	9325	1090	83	9.43E-04	GSS07 - 2S □□□ 071C13 MDFKS□□ 071-13 180
462	72	1.5	50.000	922	9325	725	9325	1250	72	1.15E-03	GSS07 - 2S □□□ 071C13 MDFKS□□ 071-13 180
656	51	1.4	70.611	1308	9325	1030	9325	1250	51	9.81E-04	GSS07 - 2S □□□ 071C13 MDFKS□□ 071-13 180
734	45	1.3	79.722	1462	9325	1151	9325	1250	45	9.70E-04	GSS07 - 2S □□□ 071C13 MDFKS□□ 071-13 180
803	42	1.3	86.542	1600	9325	1259	9325	1250	42	9.34E-04	GSS07 - 2S □□□ 071C13 MDFKS□□ 071-13 180
898	37	1.3	97.708	1700	9325	1406	9325	1250	37	9.26E-04	GSS07 - 2S □□□ 071C13 MDFKS□□ 071-13 180
1051	32	1.2	113.667	1842	9325	1644	9325	1250	32	8.83E-04	GSS07 - 2S □□□ 071C13 MDFKS□□ 071-13 180
1176	28	1.1	128.333	1868	9325	1836	9325	1250	28	8.79E-04	GSS07 - 2S □□□ 071C13 MDFKS□□ 071-13 180
211	245	2.5	14.286	318	9325	365	9326	559	245	1.48E-03	GSS07 - 2S □□□ 071C33 MDFKS□□ 071-33 175
321	158	2.0	22.143	480	9325	552	9326	836	158	1.42E-03	GSS07 - 2S □□□ 071C33 MDFKS□□ 071-33 175
512	99	1.7	35.306	764	9325	878	9326	1052	99	1.20E-03	GSS07 - 2S □□□ 071C33 MDFKS□□ 071-33 175
627	81	1.6	43.271	935	9325	1073	9326	1090	81	1.14E-03	GSS07 - 2S □□□ 071C33 MDFKS□□ 071-33 175
683	70	1.1	50.000	1013	9325	1159	9326	1250	70	1.35E-03	GSS07 - 2S □□□ 071C33 MDFKS□□ 071-33 175
971	50	1.1	70.611	1438	9325	1537	9326	1250	50	1.18E-03	GSS07 - 2S □□□ 071C33 MDFKS□□ 071-33 175
756	26	1.6	126.531	1389	9324	1075	9324	1250	26	6.86E-04	GSS07 - 3S □□□ 071C03 MDFKS□□ 071-03 165
846	23	1.5	142.857	1552	9324	1202	9324	1250	23	6.82E-04	GSS07 - 3S □□□ 071C03 MDFKS□□ 071-03 165
922	21	1.3	155.000	1690	9324	1308	9324	1250	21	6.74E-04	GSS07 - 3S □□□ 071C03 MDFKS□□ 071-03 165
1034	19	1.2	175.000	1875	9324	1463	9324	1250	19	6.72E-04	GSS07 - 3S □□□ 071C03 MDFKS□□ 071-03 165
1193	16	1.0	201.746	1875	9324	1685	9324	1250	16	6.37E-04	GSS07 - 3S □□□ 071C03 MDFKS□□ 071-03 165

Observe the notes for thermal dimensioning.

Selection tables - Helical-worm gearboxes

Naturally ventilated asynchronous geared servo motors

M ₂ [Nm]	n ₂ trans [rpm]	c	i	M ₂ max short-time M ₂ Gr on geared motor at				n ₂ therm gearbox c=1 n ₁ ≤ 1400 rpm		J _{GM} referred to motor shaft [kgm ²]	Servo helical- worm geared motor Dimensions on Page 7-47
				8 kHz		16 kHz		[Nm]	[rpm]		
				M ₂ max [Nm]	Type EVS	M ₂ max [Nm]	Type EVS				
10	700	4.4	5.639	22	9322	26	9323	108	700	3.52E-04	GSS04 - 2A □□□ 056C22 MDSKA□□ 056-22 140
13	511	5.4	7.733	31	9322	37	9323	149	511	3.05E-04	GSS04 - 2A □□□ 056C22 MDSKA□□ 056-22 140
17	399	5.7	9.897	40	9322	47	9323	161	399	2.83E-04	GSS04 - 2A □□□ 056C22 MDSKA□□ 056-22 140
18	365	5.7	10.827	43	9322	52	9323	161	365	2.77E-04	GSS04 - 2A □□□ 056C22 MDSKA□□ 056-22 140
21	319	5.5	12.400	49	9322	58	9323	170	319	2.89E-04	GSS04 - 2A □□□ 056C22 MDSKA□□ 056-22 140
24	286	5.8	13.810	56	9322	66	9323	163	286	2.65E-04	GSS04 - 2A □□□ 056C22 MDSKA□□ 056-22 140
27	249	4.7	15.869	63	9322	75	9323	180	249	2.73E-04	GSS04 - 2A □□□ 056C22 MDSKA□□ 056-22 140
30	228	4.4	17.360	69	9322	82	9323	180	228	2.68E-04	GSS04 - 2A □□□ 056C22 MDSKA□□ 056-22 140
32	193	3.2	20.417	73	9322	87	9323	153	193	3.07E-04	GSS04 - 2A □□□ 056C22 MDSKA□□ 056-22 140
38	178	3.7	22.143	87	9322	104	9323	180	178	2.60E-04	GSS04 - 2A □□□ 056C22 MDSKA□□ 056-22 140
40	159	2.9	24.800	91	9322	108	9323	171	159	2.82E-04	GSS04 - 2A □□□ 056C22 MDSKA□□ 056-22 140
47	146	3.3	27.125	106	9322	127	9323	180	146	2.54E-04	GSS04 - 2A □□□ 056C22 MDSKA□□ 056-22 140
51	124	2.5	31.738	116	9322	138	9323	180	124	2.69E-04	GSS04 - 2A □□□ 056C22 MDSKA□□ 056-22 140
59	116	2.8	34.100	133	9322	159	9323	180	116	2.50E-04	GSS04 - 2A □□□ 056C22 MDSKA□□ 056-22 140
62	101	2.1	39.200	140	9322	167	9323	180	101	2.65E-04	GSS04 - 2A □□□ 056C22 MDSKA□□ 056-22 140
76	90	2.3	43.917	171	9322	203	9323	180	90	2.46E-04	GSS04 - 2A □□□ 056C22 MDSKA□□ 056-22 140
79	79	1.8	50.000	177	9322	211	9323	180	79	2.57E-04	GSS04 - 2A □□□ 056C22 MDSKA□□ 056-22 140
87	73	1.8	54.250	196	9322	234	9323	180	73	2.53E-04	GSS04 - 2A □□□ 056C22 MDSKA□□ 056-22 140
96	64	1.6	61.250	216	9322	235	9323	180	64	2.53E-04	GSS04 - 2A □□□ 056C22 MDSKA□□ 056-22 140
109	58	1.5	68.200	245	9322	254	9323	180	58	2.49E-04	GSS04 - 2A □□□ 056C22 MDSKA□□ 056-22 140
120	51	1.4	77.000	253	9322	253	9323	180	51	2.49E-04	GSS04 - 2A □□□ 056C22 MDSKA□□ 056-22 140
140	45	1.3	87.833	269	9322	269	9323	180	45	2.46E-04	GSS04 - 2A □□□ 056C22 MDSKA□□ 056-22 140
154	40	1.2	99.167	269	9322	269	9323	180	40	2.46E-04	GSS04 - 2A □□□ 056C22 MDSKA□□ 056-22 140
20	718	2.2	5.639	63	9324	46	9324	149	718	9.42E-04	GSS04 - 2A □□□ 071C22 MDSKA□□ 071-22 140
27	524	2.7	7.733	87	9324	64	9324	158	524	8.95E-04	GSS04 - 2A □□□ 071C22 MDSKA□□ 071-22 140
31	448	3.0	9.042	101	9324	74	9324	154	448	9.11E-04	GSS04 - 2A □□□ 071C22 MDSKA□□ 071-22 140
35	409	2.9	9.897	112	9324	82	9324	161	409	8.73E-04	GSS04 - 2A □□□ 071C22 MDSKA□□ 071-22 140
38	374	2.9	10.827	123	9324	90	9324	161	374	8.67E-04	GSS04 - 2A □□□ 071C22 MDSKA□□ 071-22 140
43	327	2.7	12.400	139	9324	101	9324	170	327	8.79E-04	GSS04 - 2A □□□ 071C22 MDSKA□□ 071-22 140
49	293	2.9	13.810	158	9324	115	9324	163	293	8.55E-04	GSS04 - 2A □□□ 071C22 MDSKA□□ 071-22 140
55	255	2.3	15.869	177	9324	130	9324	180	255	8.63E-04	GSS04 - 2A □□□ 071C22 MDSKA□□ 071-22 140
61	233	2.2	17.360	194	9324	142	9324	180	233	8.58E-04	GSS04 - 2A □□□ 071C22 MDSKA□□ 071-22 140
65	198	1.6	20.417	159	9324	151	9324	153	198	8.97E-04	GSS04 - 2A □□□ 071C22 MDSKA□□ 071-22 140
78	183	1.9	22.143	220	9324	180	9324	180	183	8.50E-04	GSS04 - 2A □□□ 071C22 MDSKA□□ 071-22 140

Observe the notes for thermal dimensioning.

Selection tables - Helical-worm gearboxes

Naturally ventilated asynchronous geared servo motors



M ₂ [Nm]	n _{2 trans} [rpm]	c	i	M _{2 max} short-time M _{2 Gr} on geared motor at				n _{2 therm} gearbox c=1		J _{GM} referred to motor shaft [kgm ²]	Servo helical- worm geared motor Dimensions on Page 7-47
				8 kHz		16 kHz		n ₁ ≤ 1400 rpm [Nm]	[rpm]		
				M _{2 max} [Nm]	Type EVS	M _{2 max} [Nm]	Type EVS				
81	163	1.5	24.800	180	9324	180	9324	171	163	8.72E-04	GSS04 - 2A □□□ 071C22 MDSKA□□ 071-22 140
95	149	1.6	27.125	235	9324	220	9324	180	149	8.44E-04	GSS04 - 2A □□□ 071C22 MDSKA□□ 071-22 140
104	128	1.3	31.738	196	9324	196	9324	180	128	8.59E-04	GSS04 - 2A □□□ 071C22 MDSKA□□ 071-22 140
126	103	1.1	39.200	202	9324	202	9324	180	103	8.55E-04	GSS04 - 2A □□□ 071C22 MDSKA□□ 071-22 140
46	146	5.3	27.125	107	9322	128	9323	360	146	2.78E-04	GSS05 - 2A □□□ 056C22 MDSKA□□ 056-22 140
50	124	4.0	31.738	115	9322	137	9323	306	124	3.13E-04	GSS05 - 2A □□□ 056C22 MDSKA□□ 056-22 140
60	112	4.5	35.306	139	9322	166	9323	360	112	2.63E-04	GSS05 - 2A □□□ 056C22 MDSKA□□ 056-22 140
61	101	3.5	39.200	140	9322	167	9323	323	101	3.01E-04	GSS05 - 2A □□□ 056C22 MDSKA□□ 056-22 140
76	90	3.9	43.917	174	9322	207	9323	360	90	2.57E-04	GSS05 - 2A □□□ 056C22 MDSKA□□ 056-22 140
79	79	3.0	50.000	179	9322	214	9323	353	79	2.83E-04	GSS05 - 2A □□□ 056C22 MDSKA□□ 056-22 140
87	73	2.9	54.250	199	9322	237	9323	360	73	2.74E-04	GSS05 - 2A □□□ 056C22 MDSKA□□ 056-22 140
97	64	2.6	61.250	220	9322	262	9323	360	64	2.73E-04	GSS05 - 2A □□□ 056C22 MDSKA□□ 056-22 140
114	56	2.4	70.611	259	9322	308	9323	360	56	2.61E-04	GSS05 - 2A □□□ 056C22 MDSKA□□ 056-22 140
127	50	2.2	79.722	287	9322	342	9323	360	50	2.61E-04	GSS05 - 2A □□□ 056C22 MDSKA□□ 056-22 140
143	45	2.1	87.833	322	9322	384	9323	360	45	2.55E-04	GSS05 - 2A □□□ 056C22 MDSKA□□ 056-22 140
159	40	1.9	99.167	357	9322	426	9323	360	40	2.55E-04	GSS05 - 2A □□□ 056C22 MDSKA□□ 056-22 140
186	35	1.8	113.667	417	9322	497	9323	360	35	2.50E-04	GSS05 - 2A □□□ 056C22 MDSKA□□ 056-22 140
206	31	1.7	128.333	463	9322	516	9323	360	31	2.49E-04	GSS05 - 2A □□□ 056C22 MDSKA□□ 056-22 140
226	29	1.6	137.950	506	9322	540	9323	360	29	2.47E-04	GSS05 - 2A □□□ 056C22 MDSKA□□ 056-22 140
251	25	1.4	155.750	540	9322	540	9323	360	25	2.47E-04	GSS05 - 2A □□□ 056C22 MDSKA□□ 056-22 140
19	718	5.4	5.639	64	9324	47	9324	219	718	1.11E-03	GSS05 - 2A □□□ 071C22 MDSKA□□ 071-22 140
27	524	4.9	7.733	88	9324	64	9324	267	524	9.96E-04	GSS05 - 2A □□□ 071C22 MDSKA□□ 071-22 140
30	448	3.3	9.042	98	9324	72	9324	251	448	1.03E-03	GSS05 - 2A □□□ 071C22 MDSKA□□ 071-22 140
35	409	4.6	9.897	113	9324	83	9324	271	409	9.40E-04	GSS05 - 2A □□□ 071C22 MDSKA□□ 071-22 140
38	374	4.4	10.827	124	9324	91	9324	272	374	9.24E-04	GSS05 - 2A □□□ 071C22 MDSKA□□ 071-22 140
42	327	3.8	12.400	137	9324	100	9324	279	327	9.53E-04	GSS05 - 2A □□□ 071C22 MDSKA□□ 071-22 140
49	293	4.1	13.810	159	9324	116	9324	275	293	8.94E-04	GSS05 - 2A □□□ 071C22 MDSKA□□ 071-22 140
54	255	3.8	15.869	176	9324	129	9324	301	255	9.14E-04	GSS05 - 2A □□□ 071C22 MDSKA□□ 071-22 140
60	233	3.6	17.360	193	9324	141	9324	311	233	9.02E-04	GSS05 - 2A □□□ 071C22 MDSKA□□ 071-22 140
62	198	2.0	20.417	194	9324	145	9324	253	198	9.90E-04	GSS05 - 2A □□□ 071C22 MDSKA□□ 071-22 140
77	183	3.0	22.143	247	9324	180	9324	337	183	8.80E-04	GSS05 - 2A □□□ 071C22 MDSKA□□ 071-22 140
79	163	2.2	24.800	252	9324	184	9324	280	163	9.36E-04	GSS05 - 2A □□□ 071C22 MDSKA□□ 071-22 140
94	149	2.7	27.125	303	9324	221	9324	360	149	8.68E-04	GSS05 - 2A □□□ 071C22 MDSKA□□ 071-22 140
102	128	2.0	31.738	314	9324	238	9324	306	128	9.03E-04	GSS05 - 2A □□□ 071C22 MDSKA□□ 071-22 140

Observe the notes for thermal dimensioning.

Selection tables - Helical-worm gearboxes

Naturally ventilated asynchronous geared servo motors

M ₂ [Nm]	n ₂ trans [rpm]	c	i	M ₂ max short-time M ₂ Gr on geared motor at				n ₂ therm gearbox c=1 n ₁ ≤ 1400 rpm		J _G M referred to motor shaft [kgm ²]	Servo helical- worm geared motor Dimensions on Page 7-47
				8 kHz		16 kHz		[Nm]	[rpm]		
				M ₂ max [Nm]	Type EVS	M ₂ max [Nm]	Type EVS				
124	115	2.2	35.306	395	9324	288	9324	360	115	8.53E-04	GSS05 - 2A □□□ 071C22 MDSKA□□ 071-22 140
125	103	1.8	39.200	331	9324	289	9324	323	103	8.91E-04	GSS05 - 2A □□□ 071C22 MDSKA□□ 071-22 140
154	92	1.9	43.917	451	9324	359	9324	360	92	8.47E-04	GSS05 - 2A □□□ 071C22 MDSKA□□ 071-22 140
160	81	1.5	50.000	363	9324	363	9324	353	81	8.73E-04	GSS05 - 2A □□□ 071C22 MDSKA□□ 071-22 140
178	75	1.4	54.250	385	9324	385	9324	360	75	8.64E-04	GSS05 - 2A □□□ 071C22 MDSKA□□ 071-22 140
197	66	1.3	61.250	392	9324	392	9324	360	66	8.63E-04	GSS05 - 2A □□□ 071C22 MDSKA□□ 071-22 140
232	57	1.2	70.611	424	9324	424	9324	360	57	8.51E-04	GSS05 - 2A □□□ 071C22 MDSKA□□ 071-22 140
258	51	1.1	79.722	433	9324	433	9324	360	51	8.51E-04	GSS05 - 2A □□□ 071C22 MDSKA□□ 071-22 140
289	46	1.1	87.833	459	9324	459	9324	360	46	8.45E-04	GSS05 - 2A □□□ 071C22 MDSKA□□ 071-22 140
33	355	5.1	5.639	77	9323	108	9324	223	355	2.20E-03	GSS05 - 2A □□□ 080C22 MDSKA□□ 080-22 70
45	259	4.7	7.733	106	9323	149	9324	267	259	2.09E-03	GSS05 - 2A □□□ 080C22 MDSKA□□ 080-22 70
52	221	4.2	9.042	120	9323	169	9324	251	221	2.12E-03	GSS05 - 2A □□□ 080C22 MDSKA□□ 080-22 70
58	202	4.3	9.897	136	9323	192	9324	271	202	2.03E-03	GSS05 - 2A □□□ 080C22 MDSKA□□ 080-22 70
64	185	4.0	10.827	149	9323	210	9324	272	185	2.01E-03	GSS05 - 2A □□□ 080C22 MDSKA□□ 080-22 70
72	161	3.4	12.400	166	9323	233	9324	279	161	2.04E-03	GSS05 - 2A □□□ 080C22 MDSKA□□ 080-22 70
83	145	3.2	13.810	191	9323	268	9324	275	145	1.98E-03	GSS05 - 2A □□□ 080C22 MDSKA□□ 080-22 70
92	126	2.8	15.869	213	9323	298	9324	301	126	2.00E-03	GSS05 - 2A □□□ 080C22 MDSKA□□ 080-22 70
101	115	2.7	17.360	233	9323	327	9324	311	115	1.99E-03	GSS05 - 2A □□□ 080C22 MDSKA□□ 080-22 70
108	98	2.0	20.417	246	9323	332	9324	253	98	2.08E-03	GSS05 - 2A □□□ 080C22 MDSKA□□ 080-22 70
130	90	2.3	22.143	297	9323	417	9324	337	90	1.97E-03	GSS05 - 2A □□□ 080C22 MDSKA□□ 080-22 70
135	81	1.8	24.800	307	9323	370	9324	280	81	2.03E-03	GSS05 - 2A □□□ 080C22 MDSKA□□ 080-22 70
160	74	2.0	27.125	364	9323	482	9324	360	74	1.96E-03	GSS05 - 2A □□□ 080C22 MDSKA□□ 080-22 70
174	63	1.5	31.738	394	9323	404	9324	306	63	1.99E-03	GSS05 - 2A □□□ 080C22 MDSKA□□ 080-22 70
211	51	1.3	39.200	427	9323	427	9324	323	51	1.98E-03	GSS05 - 2A □□□ 080C22 MDSKA□□ 080-22 70
271	40	1.1	50.000	466	9323	466	9324	353	40	1.96E-03	GSS05 - 2A □□□ 080C22 MDSKA□□ 080-22 70
299	37	1.1	54.250	492	9323	492	9324	360	37	1.95E-03	GSS05 - 2A □□□ 080C22 MDSKA□□ 080-22 70
332	33	1.0	61.250	503	9323	503	9324	360	33	1.95E-03	GSS05 - 2A □□□ 080C22 MDSKA□□ 080-22 70
26	727	4.0	5.639	67	9324	97	9325	223	637	2.20E-03	GSS05 - 2A □□□ 080C22 MDSKA□□ 080-22 140
37	530	3.6	7.733	92	9324	133	9325	267	464	2.09E-03	GSS05 - 2A □□□ 080C22 MDSKA□□ 080-22 140
41	453	2.5	9.042	103	9324	149	9325	251	397	2.12E-03	GSS05 - 2A □□□ 080C22 MDSKA□□ 080-22 140
47	414	3.4	9.897	119	9324	171	9325	271	363	2.03E-03	GSS05 - 2A □□□ 080C22 MDSKA□□ 080-22 140
52	379	3.3	10.827	130	9324	188	9325	272	332	2.01E-03	GSS05 - 2A □□□ 080C22 MDSKA□□ 080-22 140
57	331	2.8	12.400	143	9324	208	9325	279	290	2.04E-03	GSS05 - 2A □□□ 080C22 MDSKA□□ 080-22 140
66	297	3.1	13.810	166	9324	240	9325	275	260	1.98E-03	GSS05 - 2A □□□ 080C22 MDSKA□□ 080-22 140

Observe the notes for thermal dimensioning.

Selection tables - Helical-worm gearboxes

Naturally ventilated asynchronous geared servo motors



M ₂ [Nm]	n ₂ trans [rpm]	c	i	M ₂ max short-time M ₂ Gr on geared motor at				n ₂ therm gearbox c=1 n ₁ ≤ 1400 rpm		J _{GM} referred to motor shaft [kgm ²]	Servo helical- worm geared motor Dimensions on Page 7-47
				8 kHz		16 kHz		[Nm]	[rpm]		
				M ₂ max [Nm]	Type EVS	M ₂ max [Nm]	Type EVS				
74	258	2.8	15.869	185	9324	267	9325	301	226	2.00E-03	GSS05 - 2A □□□ 080C22 MDSKA□□ 080-22 140
81	236	2.7	17.360	202	9324	293	9325	311	207	1.99E-03	GSS05 - 2A □□□ 080C22 MDSKA□□ 080-22 140
85	201	1.5	20.417	194	9324	194	9325	253	176	2.08E-03	GSS05 - 2A □□□ 080C22 MDSKA□□ 080-22 140
104	185	2.3	22.143	259	9324	358	9325	337	162	1.97E-03	GSS05 - 2A □□□ 080C22 MDSKA□□ 080-22 140
107	165	1.6	24.800	264	9324	265	9325	280	145	2.03E-03	GSS05 - 2A □□□ 080C22 MDSKA□□ 080-22 140
128	151	2.0	27.125	318	9324	384	9325	360	132	1.96E-03	GSS05 - 2A □□□ 080C22 MDSKA□□ 080-22 140
139	129	1.5	31.738	314	9324	314	9325	306	113	1.99E-03	GSS05 - 2A □□□ 080C22 MDSKA□□ 080-22 140
169	105	1.3	39.200	331	9324	331	9325	323	92	1.98E-03	GSS05 - 2A □□□ 080C22 MDSKA□□ 080-22 140
217	82	1.1	50.000	363	9324	363	9325	353	72	1.96E-03	GSS05 - 2A □□□ 080C22 MDSKA□□ 080-22 140
241	76	1.1	54.250	385	9324	385	9325	360	66	1.95E-03	GSS05 - 2A □□□ 080C22 MDSKA□□ 080-22 140
218	31	1.2	125.476	389	9322	389	9323	339	31	2.55E-04	GSS05 - 3A □□□ 056C22 MDSKA□□ 056-22 140
265	26	1.0	153.708	413	9322	413	9323	356	26	2.52E-04	GSS05 - 3A □□□ 056C22 MDSKA□□ 056-22 140
353	18	1.0	222.133	537	9322	537	9323	360	18	2.61E-04	GSS05 - 3A □□□ 056C22 MDSKA□□ 056-22 140
79	79	5.5	50.000	185	9322	220	9323	693	79	3.56E-04	GSS06 - 2A □□□ 056C22 MDSKA□□ 056-22 140
112	56	4.8	70.611	261	9322	310	9323	720	56	3.01E-04	GSS06 - 2A □□□ 056C22 MDSKA□□ 056-22 140
126	50	4.4	79.722	292	9322	347	9323	720	50	2.97E-04	GSS06 - 2A □□□ 056C22 MDSKA□□ 056-22 140
140	45	4.2	87.833	323	9322	385	9323	720	45	2.84E-04	GSS06 - 2A □□□ 056C22 MDSKA□□ 056-22 140
157	40	3.8	99.167	361	9322	430	9323	720	40	2.82E-04	GSS06 - 2A □□□ 056C22 MDSKA□□ 056-22 140
181	35	3.6	113.667	416	9322	495	9323	720	35	2.68E-04	GSS06 - 2A □□□ 056C22 MDSKA□□ 056-22 140
203	31	3.2	128.333	464	9322	552	9323	720	31	2.66E-04	GSS06 - 2A □□□ 056C22 MDSKA□□ 056-22 140
219	29	3.2	137.950	501	9322	597	9323	720	29	2.60E-04	GSS06 - 2A □□□ 056C22 MDSKA□□ 056-22 140
245	25	2.9	155.750	559	9322	665	9323	720	25	2.59E-04	GSS06 - 2A □□□ 056C22 MDSKA□□ 056-22 140
276	23	2.5	174.375	626	9322	746	9323	720	23	2.53E-04	GSS06 - 2A □□□ 056C22 MDSKA□□ 056-22 140
309	20	2.3	196.875	698	9322	831	9323	720	20	2.52E-04	GSS06 - 2A □□□ 056C22 MDSKA□□ 056-22 140
54	255	5.3	15.869	180	9324	131	9324	597	255	1.06E-03	GSS06 - 2A □□□ 071C22 MDSKA□□ 071-22 140
60	233	5.2	17.360	197	9324	144	9324	624	233	1.03E-03	GSS06 - 2A □□□ 071C22 MDSKA□□ 071-22 140
76	183	4.9	22.143	251	9324	183	9324	673	183	9.69E-04	GSS06 - 2A □□□ 071C22 MDSKA□□ 071-22 140
93	149	4.6	27.125	306	9324	224	9324	718	149	9.34E-04	GSS06 - 2A □□□ 071C22 MDSKA□□ 071-22 140
104	128	3.1	31.738	336	9324	246	9324	609	128	1.04E-03	GSS06 - 2A □□□ 071C22 MDSKA□□ 071-22 140
122	115	4.3	35.306	398	9324	290	9324	720	115	8.96E-04	GSS06 - 2A □□□ 071C22 MDSKA□□ 071-22 140
127	103	2.9	39.200	411	9324	300	9324	637	103	9.93E-04	GSS06 - 2A □□□ 071C22 MDSKA□□ 071-22 140
152	92	3.8	43.917	493	9324	360	9324	720	92	8.77E-04	GSS06 - 2A □□□ 071C22 MDSKA□□ 071-22 140
162	81	2.7	50.000	522	9324	381	9324	693	81	9.46E-04	GSS06 - 2A □□□ 071C22 MDSKA□□ 071-22 140
177	75	2.7	54.250	571	9324	417	9324	720	75	9.25E-04	GSS06 - 2A □□□ 071C22 MDSKA□□ 071-22 140

Observe the notes for thermal dimensioning.

Selection tables - Helical-worm gearboxes

Naturally ventilated asynchronous geared servo motors

M ₂ [Nm]	n ₂ trans [rpm]	c	i	M ₂ max short-time M ₂ Gr on geared motor at				n ₂ therm gearbox c=1 n ₁ ≤ 1400 rpm		J _G M referred to motor shaft [kgm ²]	Servo helical- worm geared motor Dimensions on Page 7-47
				8 kHz		16 kHz		[Nm]	[rpm]		
				M ₂ max [Nm]	Type EVS	M ₂ max [Nm]	Type EVS				
199	66	2.6	61.250	638	9324	466	9324	720	66	9.19E-04	GSS06 - 2A □□□ 071C22 MDSKA□□ 071-22 140
230	57	2.4	70.611	738	9324	539	9324	720	57	8.91E-04	GSS06 - 2A □□□ 071C22 MDSKA□□ 071-22 140
258	51	2.2	79.722	825	9324	603	9324	720	51	8.87E-04	GSS06 - 2A □□□ 071C22 MDSKA□□ 071-22 140
286	46	2.1	87.833	913	9324	668	9324	720	46	8.74E-04	GSS06 - 2A □□□ 071C22 MDSKA□□ 071-22 140
321	41	1.9	99.167	925	9324	746	9324	720	41	8.72E-04	GSS06 - 2A □□□ 071C22 MDSKA□□ 071-22 140
370	36	1.8	113.667	999	9324	859	9324	720	36	8.58E-04	GSS06 - 2A □□□ 071C22 MDSKA□□ 071-22 140
414	32	1.6	128.333	1011	9324	959	9324	720	32	8.56E-04	GSS06 - 2A □□□ 071C22 MDSKA□□ 071-22 140
447	29	1.6	137.950	1064	9324	1036	9324	720	29	8.50E-04	GSS06 - 2A □□□ 071C22 MDSKA□□ 071-22 140
499	26	1.4	155.750	1075	9324	1075	9324	720	26	8.49E-04	GSS06 - 2A □□□ 071C22 MDSKA□□ 071-22 140
71	161	5.5	12.400	168	9323	236	9324	523	161	2.27E-03	GSS06 - 2A □□□ 080C22 MDSKA□□ 080-22 70
83	140	6.0	14.286	199	9323	279	9324	528	140	2.08E-03	GSS06 - 2A □□□ 080C22 MDSKA□□ 080-22 70
91	126	5.1	15.869	215	9323	302	9324	605	126	2.15E-03	GSS06 - 2A □□□ 080C22 MDSKA□□ 080-22 70
100	115	5.0	17.360	235	9323	330	9324	624	115	2.12E-03	GSS06 - 2A □□□ 080C22 MDSKA□□ 080-22 70
111	98	3.4	20.417	256	9323	360	9324	488	98	2.34E-03	GSS06 - 2A □□□ 080C22 MDSKA□□ 080-22 70
127	90	4.6	22.143	299	9323	420	9324	673	90	2.06E-03	GSS06 - 2A □□□ 080C22 MDSKA□□ 080-22 70
136	81	3.2	24.800	314	9323	441	9324	561	81	2.23E-03	GSS06 - 2A □□□ 080C22 MDSKA□□ 080-22 70
156	74	4.0	27.125	364	9323	512	9324	718	74	2.02E-03	GSS06 - 2A □□□ 080C22 MDSKA□□ 080-22 70
173	63	3.0	31.738	400	9323	562	9324	609	63	2.13E-03	GSS06 - 2A □□□ 080C22 MDSKA□□ 080-22 70
204	57	3.3	35.306	472	9323	663	9324	720	57	1.99E-03	GSS06 - 2A □□□ 080C22 MDSKA□□ 080-22 70
213	51	2.6	39.200	488	9323	686	9324	637	51	2.08E-03	GSS06 - 2A □□□ 080C22 MDSKA□□ 080-22 70
255	46	2.8	43.917	585	9323	822	9324	720	46	1.97E-03	GSS06 - 2A □□□ 080C22 MDSKA□□ 080-22 70
271	40	2.2	50.000	619	9323	869	9324	693	40	2.04E-03	GSS06 - 2A □□□ 080C22 MDSKA□□ 080-22 70
296	37	2.2	54.250	676	9323	949	9324	720	37	2.02E-03	GSS06 - 2A □□□ 080C22 MDSKA□□ 080-22 70
331	33	2.0	61.250	755	9323	990	9324	720	33	2.01E-03	GSS06 - 2A □□□ 080C22 MDSKA□□ 080-22 70
384	28	1.8	70.611	874	9323	1070	9324	720	28	1.98E-03	GSS06 - 2A □□□ 080C22 MDSKA□□ 080-22 70
429	25	1.7	79.722	975	9323	1080	9324	720	25	1.98E-03	GSS06 - 2A □□□ 080C22 MDSKA□□ 080-22 70
475	23	1.5	87.833	1078	9323	1080	9324	720	23	1.96E-03	GSS06 - 2A □□□ 080C22 MDSKA□□ 080-22 70
531	20	1.4	99.167	1080	9323	1080	9324	720	20	1.96E-03	GSS06 - 2A □□□ 080C22 MDSKA□□ 080-22 70
27	703	4.3	5.833	70	9324	101	9325	356	615	2.62E-03	GSS06 - 2A □□□ 080C22 MDSKA□□ 080-22 140
38	513	4.9	8.000	96	9324	139	9325	489	449	2.34E-03	GSS06 - 2A □□□ 080C22 MDSKA□□ 080-22 140
42	453	4.7	9.042	107	9324	155	9325	417	397	2.47E-03	GSS06 - 2A □□□ 080C22 MDSKA□□ 080-22 140
48	400	5.0	10.238	123	9324	179	9325	522	351	2.20E-03	GSS06 - 2A □□□ 080C22 MDSKA□□ 080-22 140
53	366	5.0	11.200	135	9324	196	9325	524	321	2.16E-03	GSS06 - 2A □□□ 080C22 MDSKA□□ 080-22 140
58	331	4.3	12.400	147	9324	213	9325	523	290	2.27E-03	GSS06 - 2A □□□ 080C22 MDSKA□□ 080-22 140

Observe the notes for thermal dimensioning.

Selection tables - Helical-worm gearboxes

Naturally ventilated asynchronous geared servo motors



M ₂ [Nm]	n ₂ trans [rpm]	c	i	M ₂ max short-time M ₂ Gr on geared motor at				n ₂ therm gearbox c=1 n ₁ ≤ 1400 rpm		J _{GM} referred to motor shaft [kgm ²]	Servo helical- worm geared motor Dimensions on Page 7-47
				8 kHz		16 kHz		[Nm]	[rpm]		
				M ₂ max [Nm]	Type EVS	M ₂ max [Nm]	Type EVS				
68	287	4.7	14.286	173	9324	250	9325	528	251	2.08E-03	GSS06 - 2A □□□ 080C22 MDSKA□□ 080-22 140
75	258	4.0	15.869	188	9324	273	9325	605	226	2.15E-03	GSS06 - 2A □□□ 080C22 MDSKA□□ 080-22 140
82	236	3.9	17.360	206	9324	298	9325	624	207	2.12E-03	GSS06 - 2A □□□ 080C22 MDSKA□□ 080-22 140
89	201	2.6	20.417	223	9324	323	9325	488	176	2.34E-03	GSS06 - 2A □□□ 080C22 MDSKA□□ 080-22 140
104	185	3.6	22.143	262	9324	380	9325	673	162	2.06E-03	GSS06 - 2A □□□ 080C22 MDSKA□□ 080-22 140
111	165	2.5	24.800	276	9324	399	9325	561	145	2.23E-03	GSS06 - 2A □□□ 080C22 MDSKA□□ 080-22 140
128	151	3.4	27.125	321	9324	464	9325	718	132	2.02E-03	GSS06 - 2A □□□ 080C22 MDSKA□□ 080-22 140
142	129	2.3	31.738	352	9324	503	9325	609	113	2.13E-03	GSS06 - 2A □□□ 080C22 MDSKA□□ 080-22 140
166	116	3.2	35.306	417	9324	603	9325	720	102	1.99E-03	GSS06 - 2A □□□ 080C22 MDSKA□□ 080-22 140
174	105	2.2	39.200	430	9324	573	9325	637	92	2.08E-03	GSS06 - 2A □□□ 080C22 MDSKA□□ 080-22 140
207	93	2.8	43.917	517	9324	747	9325	720	82	1.97E-03	GSS06 - 2A □□□ 080C22 MDSKA□□ 080-22 140
221	82	2.0	50.000	547	9324	680	9325	693	72	2.04E-03	GSS06 - 2A □□□ 080C22 MDSKA□□ 080-22 140
242	76	2.0	54.250	598	9324	738	9325	720	66	2.02E-03	GSS06 - 2A □□□ 080C22 MDSKA□□ 080-22 140
270	67	1.9	61.250	668	9324	784	9325	720	59	2.01E-03	GSS06 - 2A □□□ 080C22 MDSKA□□ 080-22 140
313	58	1.8	70.611	773	9324	846	9325	720	51	1.98E-03	GSS06 - 2A □□□ 080C22 MDSKA□□ 080-22 140
351	51	1.6	79.722	858	9324	858	9325	720	45	1.98E-03	GSS06 - 2A □□□ 080C22 MDSKA□□ 080-22 140
389	47	1.6	87.833	913	9324	913	9325	720	41	1.96E-03	GSS06 - 2A □□□ 080C22 MDSKA□□ 080-22 140
436	41	1.4	99.167	925	9324	925	9325	720	36	1.96E-03	GSS06 - 2A □□□ 080C22 MDSKA□□ 080-22 140
56	394	3.9	5.833	130	9324	183	9325	356	394	4.30E-03	GSS06 - 2A □□□ 090C22 MDSKA□□ 090-22 80
77	288	3.8	8.000	179	9324	252	9325	489	288	4.02E-03	GSS06 - 2A □□□ 090C22 MDSKA□□ 090-22 80
86	254	3.2	9.042	198	9324	280	9325	417	254	4.15E-03	GSS06 - 2A □□□ 090C22 MDSKA□□ 090-22 80
99	225	3.5	10.238	229	9324	324	9325	522	225	3.88E-03	GSS06 - 2A □□□ 090C22 MDSKA□□ 090-22 80
108	205	3.4	11.200	251	9324	355	9325	524	205	3.84E-03	GSS06 - 2A □□□ 090C22 MDSKA□□ 090-22 80
118	185	2.9	12.400	272	9324	385	9325	523	185	3.95E-03	GSS06 - 2A □□□ 090C22 MDSKA□□ 090-22 80
138	161	3.5	14.286	321	9324	453	9325	528	161	3.76E-03	GSS06 - 2A □□□ 090C22 MDSKA□□ 090-22 80
151	145	2.7	15.869	348	9324	492	9325	605	145	3.83E-03	GSS06 - 2A □□□ 090C22 MDSKA□□ 090-22 80
165	132	2.7	17.360	380	9324	537	9325	624	132	3.80E-03	GSS06 - 2A □□□ 090C22 MDSKA□□ 090-22 80
182	113	1.8	20.417	414	9324	493	9325	488	113	4.02E-03	GSS06 - 2A □□□ 090C22 MDSKA□□ 090-22 80
211	104	2.5	22.143	484	9324	684	9325	673	104	3.74E-03	GSS06 - 2A □□□ 090C22 MDSKA□□ 090-22 80
223	93	1.7	24.800	509	9324	578	9325	561	93	3.91E-03	GSS06 - 2A □□□ 090C22 MDSKA□□ 090-22 80
258	85	2.3	27.125	592	9324	836	9325	718	85	3.70E-03	GSS06 - 2A □□□ 090C22 MDSKA□□ 090-22 80
285	72	1.6	31.738	649	9324	690	9325	609	72	3.81E-03	GSS06 - 2A □□□ 090C22 MDSKA□□ 090-22 80
349	59	1.5	39.200	783	9324	783	9325	637	59	3.76E-03	GSS06 - 2A □□□ 090C22 MDSKA□□ 090-22 80
444	46	1.3	50.000	856	9324	856	9325	693	46	3.72E-03	GSS06 - 2A □□□ 090C22 MDSKA□□ 090-22 80

Observe the notes for thermal dimensioning.

Selection tables - Helical-worm gearboxes

Naturally ventilated asynchronous geared servo motors

M ₂ [Nm]	n ₂ trans [rpm]	c	i	M ₂ max short-time M ₂ Gr on geared motor at				n ₂ therm gearbox c=1 n ₁ ≤ 1400 rpm		J _G M referred to motor shaft [kgm ²]	Servo helical- worm geared motor Dimensions on Page 7-47
				8 kHz		16 kHz		[Nm]	[rpm]		
				M ₂ max [Nm]	Type EVS	M ₂ max [Nm]	Type EVS				
484	42	1.2	54.250	904	9324	904	9325	720	42	3.70E-03	GSS06 - 2A □□□ 090C22 MDSKA□□ 090-22 80
542	38	1.1	61.250	916	9324	916	9325	720	38	3.69E-03	GSS06 - 2A □□□ 090C22 MDSKA□□ 090-22 80
49	705	2.4	5.833	123	9325	148	9326	356	533	4.30E-03	GSS06 - 2A □□□ 090C22 MDSKA□□ 090-22 140
68	514	2.8	8.000	170	9325	204	9326	489	389	4.02E-03	GSS06 - 2A □□□ 090C22 MDSKA□□ 090-22 140
76	455	2.7	9.042	190	9325	227	9326	417	344	4.15E-03	GSS06 - 2A □□□ 090C22 MDSKA□□ 090-22 140
87	401	2.8	10.238	219	9325	262	9326	522	304	3.88E-03	GSS06 - 2A □□□ 090C22 MDSKA□□ 090-22 140
95	367	2.8	11.200	240	9325	287	9326	524	278	3.84E-03	GSS06 - 2A □□□ 090C22 MDSKA□□ 090-22 140
104	331	2.4	12.400	261	9325	312	9326	523	251	3.95E-03	GSS06 - 2A □□□ 090C22 MDSKA□□ 090-22 140
122	288	2.7	14.286	307	9325	367	9326	528	218	3.76E-03	GSS06 - 2A □□□ 090C22 MDSKA□□ 090-22 140
134	259	2.3	15.869	334	9325	400	9326	605	196	3.83E-03	GSS06 - 2A □□□ 090C22 MDSKA□□ 090-22 140
146	237	2.2	17.360	365	9325	437	9326	624	179	3.80E-03	GSS06 - 2A □□□ 090C22 MDSKA□□ 090-22 140
160	201	1.5	20.417	361	9325	361	9326	488	152	4.02E-03	GSS06 - 2A □□□ 090C22 MDSKA□□ 090-22 140
187	186	2.1	22.143	465	9325	557	9326	673	141	3.74E-03	GSS06 - 2A □□□ 090C22 MDSKA□□ 090-22 140
197	166	1.4	24.800	422	9325	422	9326	561	125	3.91E-03	GSS06 - 2A □□□ 090C22 MDSKA□□ 090-22 140
229	152	1.9	27.125	569	9325	672	9326	718	115	3.70E-03	GSS06 - 2A □□□ 090C22 MDSKA□□ 090-22 140
253	130	1.3	31.738	503	9325	503	9326	609	98	3.81E-03	GSS06 - 2A □□□ 090C22 MDSKA□□ 090-22 140
309	105	1.2	39.200	573	9325	573	9326	637	79	3.76E-03	GSS06 - 2A □□□ 090C22 MDSKA□□ 090-22 140
393	82	1.2	50.000	680	9325	680	9326	693	62	3.72E-03	GSS06 - 2A □□□ 090C22 MDSKA□□ 090-22 140
429	76	1.1	54.250	738	9325	738	9326	720	57	3.70E-03	GSS06 - 2A □□□ 090C22 MDSKA□□ 090-22 140
480	67	1.1	61.250	784	9325	784	9326	720	51	3.69E-03	GSS06 - 2A □□□ 090C22 MDSKA□□ 090-22 140
196	31	1.9	126.531	441	9322	525	9323	720	31	2.71E-04	GSS06 - 3A □□□ 056C22 MDSKA□□ 056-22 140
218	28	1.9	142.857	491	9322	585	9323	720	28	2.70E-04	GSS06 - 3A □□□ 056C22 MDSKA□□ 056-22 140
238	25	1.7	155.000	535	9322	611	9323	720	25	2.67E-04	GSS06 - 3A □□□ 056C22 MDSKA□□ 056-22 140
265	23	1.7	175.000	595	9322	680	9323	720	23	2.66E-04	GSS06 - 3A □□□ 056C22 MDSKA□□ 056-22 140
297	20	1.4	194.857	638	9322	638	9323	720	20	2.54E-04	GSS06 - 3A □□□ 056C22 MDSKA□□ 056-22 140
331	18	1.4	220.000	709	9322	709	9323	720	18	2.54E-04	GSS06 - 3A □□□ 056C22 MDSKA□□ 056-22 140
361	17	1.3	238.700	686	9322	686	9323	720	17	2.53E-04	GSS06 - 3A □□□ 056C22 MDSKA□□ 056-22 140
401	15	1.3	269.500	763	9322	763	9323	720	15	2.52E-04	GSS06 - 3A □□□ 056C22 MDSKA□□ 056-22 140
202	31	5.8	128.333	476	9322	567	9323	1250	31	3.19E-04	GSS07 - 2A □□□ 056C22 MDSKA□□ 056-22 140
219	29	5.4	137.950	514	9322	612	9323	1250	29	3.01E-04	GSS07 - 2A □□□ 056C22 MDSKA□□ 056-22 140
247	25	4.8	155.750	575	9322	684	9323	1250	25	2.98E-04	GSS07 - 2A □□□ 056C22 MDSKA□□ 056-22 140
278	23	4.3	174.375	644	9322	767	9323	1250	23	2.79E-04	GSS07 - 2A □□□ 056C22 MDSKA□□ 056-22 140
313	20	3.8	196.875	720	9322	858	9323	1250	20	2.77E-04	GSS07 - 2A □□□ 056C22 MDSKA□□ 056-22 140
163	81	4.2	50.000	532	9324	389	9324	1250	81	1.18E-03	GSS07 - 2A □□□ 071C22 MDSKA□□ 071-22 140

Observe the notes for thermal dimensioning.

Selection tables - Helical-worm gearboxes

Naturally ventilated asynchronous geared servo motors



M ₂ [Nm]	n ₂ trans [rpm]	c	i	M ₂ max short-time M ₂ Gr on geared motor at				n ₂ therm gearbox c=1 n ₁ ≤ 1400 rpm		J _{GM} referred to motor shaft [kgm ²]	Servo helical- worm geared motor Dimensions on Page 7-47
				8 kHz		16 kHz		[Nm]	[rpm]		
				M ₂ max [Nm]	Type EVS	M ₂ max [Nm]	Type EVS				
232	57	3.9	70.611	756	9324	552	9324	1250	57	1.01E-03	GSS07 - 2A □□□ 071C22 MDSKA□□ 071-22 140
260	51	3.7	79.722	844	9324	616	9324	1250	51	1.00E-03	GSS07 - 2A □□□ 071C22 MDSKA□□ 071-22 140
284	47	3.7	86.542	924	9324	675	9324	1250	47	9.64E-04	GSS07 - 2A □□□ 071C22 MDSKA□□ 071-22 140
318	41	3.5	97.708	1032	9324	754	9324	1250	41	9.56E-04	GSS07 - 2A □□□ 071C22 MDSKA□□ 071-22 140
373	36	3.2	113.667	1207	9324	881	9324	1250	36	9.13E-04	GSS07 - 2A □□□ 071C22 MDSKA□□ 071-22 140
418	32	2.9	128.333	1348	9324	984	9324	1250	32	9.09E-04	GSS07 - 2A □□□ 071C22 MDSKA□□ 071-22 140
453	29	2.7	137.950	1455	9324	1063	9324	1250	29	8.91E-04	GSS07 - 2A □□□ 071C22 MDSKA□□ 071-22 140
508	26	2.4	155.750	1627	9324	1188	9324	1250	26	8.88E-04	GSS07 - 2A □□□ 071C22 MDSKA□□ 071-22 140
571	23	2.1	174.375	1824	9324	1332	9324	1250	23	8.69E-04	GSS07 - 2A □□□ 071C22 MDSKA□□ 071-22 140
640	21	1.9	196.875	1866	9324	1489	9324	1250	21	8.67E-04	GSS07 - 2A □□□ 071C22 MDSKA□□ 071-22 140
169	65	4.7	31.000	399	9323	560	9324	1065	65	2.63E-03	GSS07 - 2A □□□ 080C22 MDSKA□□ 080-22 70
201	57	5.9	35.306	478	9323	671	9324	1250	57	2.12E-03	GSS07 - 2A □□□ 080C22 MDSKA□□ 080-22 70
213	51	4.3	39.200	499	9323	700	9324	1175	51	2.46E-03	GSS07 - 2A □□□ 080C22 MDSKA□□ 080-22 70
248	46	4.8	43.271	584	9323	820	9324	1250	46	2.06E-03	GSS07 - 2A □□□ 080C22 MDSKA□□ 080-22 70
271	40	4.0	50.000	634	9323	890	9324	1250	40	2.27E-03	GSS07 - 2A □□□ 080C22 MDSKA□□ 080-22 70
297	37	3.9	54.250	693	9323	973	9324	1250	37	2.21E-03	GSS07 - 2A □□□ 080C22 MDSKA□□ 080-22 70
333	33	3.5	61.250	774	9323	1087	9324	1250	33	2.19E-03	GSS07 - 2A □□□ 080C22 MDSKA□□ 080-22 70
388	28	3.1	70.611	897	9323	1259	9324	1250	28	2.10E-03	GSS07 - 2A □□□ 080C22 MDSKA□□ 080-22 70
435	25	2.8	79.722	1002	9323	1407	9324	1250	25	2.09E-03	GSS07 - 2A □□□ 080C22 MDSKA□□ 080-22 70
475	23	2.6	86.542	1091	9323	1532	9324	1250	23	2.05E-03	GSS07 - 2A □□□ 080C22 MDSKA□□ 080-22 70
533	20	2.3	97.708	1220	9323	1713	9324	1250	20	2.05E-03	GSS07 - 2A □□□ 080C22 MDSKA□□ 080-22 70
622	18	2.0	113.667	1419	9323	1875	9324	1250	18	2.00E-03	GSS07 - 2A □□□ 080C22 MDSKA□□ 080-22 70
697	16	1.8	128.333	1585	9323	1875	9324	1250	16	2.00E-03	GSS07 - 2A □□□ 080C22 MDSKA□□ 080-22 70
752	15	1.6	137.950	1709	9323	1875	9324	1250	15	1.98E-03	GSS07 - 2A □□□ 080C22 MDSKA□□ 080-22 70
841	13	1.5	155.750	1875	9323	1875	9324	1250	13	1.98E-03	GSS07 - 2A □□□ 080C22 MDSKA□□ 080-22 70
80	236	5.8	17.360	207	9324	300	9325	1012	207	2.56E-03	GSS07 - 2A □□□ 080C22 MDSKA□□ 080-22 140
103	185	5.4	22.143	264	9324	382	9325	1211	162	2.34E-03	GSS07 - 2A □□□ 080C22 MDSKA□□ 080-22 140
126	151	5.1	27.125	324	9324	468	9325	1250	132	2.23E-03	GSS07 - 2A □□□ 080C22 MDSKA□□ 080-22 140
138	132	3.7	31.000	349	9324	505	9325	1065	116	2.63E-03	GSS07 - 2A □□□ 080C22 MDSKA□□ 080-22 140
165	116	4.8	35.306	421	9324	609	9325	1250	102	2.12E-03	GSS07 - 2A □□□ 080C22 MDSKA□□ 080-22 140
174	105	3.3	39.200	438	9324	633	9325	1175	92	2.46E-03	GSS07 - 2A □□□ 080C22 MDSKA□□ 080-22 140
202	95	4.5	43.271	514	9324	744	9325	1250	83	2.06E-03	GSS07 - 2A □□□ 080C22 MDSKA□□ 080-22 140
223	82	3.1	50.000	558	9324	807	9325	1250	72	2.27E-03	GSS07 - 2A □□□ 080C22 MDSKA□□ 080-22 140
244	76	3.1	54.250	610	9324	883	9325	1250	66	2.21E-03	GSS07 - 2A □□□ 080C22 MDSKA□□ 080-22 140

Observe the notes for thermal dimensioning.

Selection tables - Helical-worm gearboxes

Naturally ventilated asynchronous geared servo motors

M ₂ [Nm]	n ₂ trans [rpm]	c	i	M ₂ max short-time M ₂ Gr on geared motor at				n ₂ therm gearbox c=1 n ₁ ≤ 1400 rpm		J _G M referred to motor shaft [kgm ²]	Servo helical- worm geared motor Dimensions on Page 7-47
				8 kHz		16 kHz		[Nm]	[rpm]		
				M ₂ max [Nm]	Type EVS	M ₂ max [Nm]	Type EVS				
273	67	2.9	61.250	682	9324	986	9325	1250	59	2.19E-03	GSS07 - 2A □□□ 080C22 MDSKA□□ 080-22 140
317	58	2.9	70.611	791	9324	1145	9325	1250	51	2.10E-03	GSS07 - 2A □□□ 080C22 MDSKA□□ 080-22 140
354	51	2.7	79.722	885	9324	1280	9325	1250	45	2.09E-03	GSS07 - 2A □□□ 080C22 MDSKA□□ 080-22 140
388	47	2.7	86.542	968	9324	1401	9325	1250	41	2.05E-03	GSS07 - 2A □□□ 080C22 MDSKA□□ 080-22 140
434	42	2.6	97.708	1081	9324	1565	9325	1250	37	2.05E-03	GSS07 - 2A □□□ 080C22 MDSKA□□ 080-22 140
509	36	2.4	113.667	1264	9324	1829	9325	1250	32	2.00E-03	GSS07 - 2A □□□ 080C22 MDSKA□□ 080-22 140
570	32	2.2	128.333	1412	9324	1868	9325	1250	28	2.00E-03	GSS07 - 2A □□□ 080C22 MDSKA□□ 080-22 140
616	30	2.0	137.950	1525	9324	1868	9325	1250	26	1.98E-03	GSS07 - 2A □□□ 080C22 MDSKA□□ 080-22 140
691	26	1.8	155.750	1705	9324	1869	9325	1250	23	1.98E-03	GSS07 - 2A □□□ 080C22 MDSKA□□ 080-22 140
77	283	5.6	8.125	183	9324	259	9325	685	283	4.88E-03	GSS07 - 2A □□□ 090C22 MDSKA□□ 090-22 80
85	253	5.0	9.086	201	9324	283	9325	628	253	5.34E-03	GSS07 - 2A □□□ 090C22 MDSKA□□ 090-22 80
95	230	5.3	10.000	226	9324	320	9325	797	230	4.51E-03	GSS07 - 2A □□□ 090C22 MDSKA□□ 090-22 80
107	205	5.1	11.200	253	9324	358	9325	866	205	4.35E-03	GSS07 - 2A □□□ 090C22 MDSKA□□ 090-22 80
119	183	4.3	12.594	278	9324	393	9325	799	183	4.67E-03	GSS07 - 2A □□□ 090C22 MDSKA□□ 090-22 80
137	161	4.8	14.286	324	9324	457	9325	973	161	4.08E-03	GSS07 - 2A □□□ 090C22 MDSKA□□ 090-22 80
146	148	4.1	15.500	342	9324	484	9325	931	148	4.38E-03	GSS07 - 2A □□□ 090C22 MDSKA□□ 090-22 80
164	132	4.0	17.360	383	9324	542	9325	1012	132	4.24E-03	GSS07 - 2A □□□ 090C22 MDSKA□□ 090-22 80
183	112	2.9	20.517	423	9324	598	9325	764	112	4.96E-03	GSS07 - 2A □□□ 090C22 MDSKA□□ 090-22 80
210	104	3.7	22.143	488	9324	690	9325	1211	104	4.02E-03	GSS07 - 2A □□□ 090C22 MDSKA□□ 090-22 80
228	91	2.6	25.188	524	9324	740	9325	913	91	4.56E-03	GSS07 - 2A □□□ 090C22 MDSKA□□ 090-22 80
257	85	3.5	27.125	597	9324	844	9325	1250	85	3.91E-03	GSS07 - 2A □□□ 090C22 MDSKA□□ 090-22 80
280	74	2.5	31.000	645	9324	911	9325	1065	74	4.31E-03	GSS07 - 2A □□□ 090C22 MDSKA□□ 090-22 80
334	65	3.3	35.306	774	9324	1094	9325	1250	65	3.80E-03	GSS07 - 2A □□□ 090C22 MDSKA□□ 090-22 80
352	59	2.3	39.200	808	9324	1142	9325	1175	59	4.14E-03	GSS07 - 2A □□□ 090C22 MDSKA□□ 090-22 80
410	53	3.0	43.271	947	9324	1338	9325	1250	53	3.74E-03	GSS07 - 2A □□□ 090C22 MDSKA□□ 090-22 80
449	46	2.1	50.000	1027	9324	1453	9325	1250	46	3.95E-03	GSS07 - 2A □□□ 090C22 MDSKA□□ 090-22 80
491	42	2.1	54.250	1124	9324	1589	9325	1250	42	3.89E-03	GSS07 - 2A □□□ 090C22 MDSKA□□ 090-22 80
549	38	2.0	61.250	1255	9324	1688	9325	1250	38	3.87E-03	GSS07 - 2A □□□ 090C22 MDSKA□□ 090-22 80
638	33	1.9	70.611	1457	9324	1827	9325	1250	33	3.78E-03	GSS07 - 2A □□□ 090C22 MDSKA□□ 090-22 80
714	29	1.7	79.722	1627	9324	1851	9325	1250	29	3.77E-03	GSS07 - 2A □□□ 090C22 MDSKA□□ 090-22 80
781	27	1.6	86.542	1777	9324	1875	9325	1250	27	3.73E-03	GSS07 - 2A □□□ 090C22 MDSKA□□ 090-22 80
874	24	1.4	97.708	1875	9324	1875	9325	1250	24	3.73E-03	GSS07 - 2A □□□ 090C22 MDSKA□□ 090-22 80
49	701	5.1	5.862	126	9325	151	9326	539	531	5.74E-03	GSS07 - 2A □□□ 090C22 MDSKA□□ 090-22 140
68	506	4.6	8.125	175	9325	210	9326	685	383	4.88E-03	GSS07 - 2A □□□ 090C22 MDSKA□□ 090-22 140

Observe the notes for thermal dimensioning.

Selection tables - Helical-worm gearboxes

Naturally ventilated asynchronous geared servo motors



M ₂ [Nm]	n ₂ trans [rpm]	c	i	M ₂ max short-time M ₂ Gr on geared motor at				n ₂ therm gearbox c=1 n ₁ ≤ 1400 rpm		J _{GM} referred to motor shaft [kgm ²]	Servo helical- worm geared motor Dimensions on Page 7-47
				8 kHz		16 kHz		[Nm]	[rpm]		
				M ₂ max [Nm]	Type EVS	M ₂ max [Nm]	Type EVS				
75	452	4.5	9.086	192	9325	230	9326	628	342	5.34E-03	GSS07 - 2A □□□ 090C22 MDSKA□□ 090-22 140
85	411	4.4	10.000	216	9325	259	9326	797	311	4.51E-03	GSS07 - 2A □□□ 090C22 MDSKA□□ 090-22 140
95	367	4.2	11.200	242	9325	290	9326	866	278	4.35E-03	GSS07 - 2A □□□ 090C22 MDSKA□□ 090-22 140
105	326	3.9	12.594	267	9325	319	9326	799	247	4.67E-03	GSS07 - 2A □□□ 090C22 MDSKA□□ 090-22 140
122	288	4.0	14.286	310	9325	371	9326	973	218	4.08E-03	GSS07 - 2A □□□ 090C22 MDSKA□□ 090-22 140
130	265	3.5	15.500	328	9325	393	9326	931	201	4.38E-03	GSS07 - 2A □□□ 090C22 MDSKA□□ 090-22 140
145	237	3.3	17.360	368	9325	440	9326	1012	179	4.24E-03	GSS07 - 2A □□□ 090C22 MDSKA□□ 090-22 140
161	200	2.6	20.517	405	9325	484	9326	764	152	4.96E-03	GSS07 - 2A □□□ 090C22 MDSKA□□ 090-22 140
186	186	3.0	22.143	469	9325	561	9326	1211	141	4.02E-03	GSS07 - 2A □□□ 090C22 MDSKA□□ 090-22 140
201	163	2.3	25.188	502	9325	601	9326	913	124	4.56E-03	GSS07 - 2A □□□ 090C22 MDSKA□□ 090-22 140
228	152	2.9	27.125	574	9325	686	9326	1250	115	3.91E-03	GSS07 - 2A □□□ 090C22 MDSKA□□ 090-22 140
248	133	2.1	31.000	618	9325	740	9326	1065	100	4.31E-03	GSS07 - 2A □□□ 090C22 MDSKA□□ 090-22 140
297	116	2.7	35.306	746	9325	892	9326	1250	88	3.80E-03	GSS07 - 2A □□□ 090C22 MDSKA□□ 090-22 140
312	105	1.9	39.200	776	9325	893	9326	1175	79	4.14E-03	GSS07 - 2A □□□ 090C22 MDSKA□□ 090-22 140
364	95	2.6	43.271	912	9325	1091	9326	1250	72	3.74E-03	GSS07 - 2A □□□ 090C22 MDSKA□□ 090-22 140
398	82	1.8	50.000	988	9325	1059	9326	1250	62	3.95E-03	GSS07 - 2A □□□ 090C22 MDSKA□□ 090-22 140
435	76	1.8	54.250	1082	9325	1153	9326	1250	57	3.89E-03	GSS07 - 2A □□□ 090C22 MDSKA□□ 090-22 140
487	67	1.7	61.250	1208	9325	1227	9326	1250	51	3.87E-03	GSS07 - 2A □□□ 090C22 MDSKA□□ 090-22 140
565	58	1.6	70.611	1402	9325	1402	9326	1250	44	3.78E-03	GSS07 - 2A □□□ 090C22 MDSKA□□ 090-22 140
632	52	1.6	79.722	1486	9325	1486	9326	1250	39	3.77E-03	GSS07 - 2A □□□ 090C22 MDSKA□□ 090-22 140
692	47	1.6	86.542	1629	9325	1629	9326	1250	36	3.73E-03	GSS07 - 2A □□□ 090C22 MDSKA□□ 090-22 140
774	42	1.5	97.708	1700	9325	1700	9326	1250	32	3.73E-03	GSS07 - 2A □□□ 090C22 MDSKA□□ 090-22 140
85	399	4.1	5.862	255	9325	183	9325	539	399	9.34E-03	GSS07 - 2A □□□ 100C22 MDSKA□□ 100-22 80
119	288	3.7	8.125	355	9325	254	9325	685	288	8.48E-03	GSS07 - 2A □□□ 100C22 MDSKA□□ 100-22 80
131	258	3.3	9.086	388	9325	278	9325	628	258	8.94E-03	GSS07 - 2A □□□ 100C22 MDSKA□□ 100-22 80
147	234	3.5	10.000	437	9325	313	9325	797	234	8.11E-03	GSS07 - 2A □□□ 100C22 MDSKA□□ 100-22 80
165	209	3.4	11.200	490	9325	351	9325	866	209	7.95E-03	GSS07 - 2A □□□ 100C22 MDSKA□□ 100-22 80
182	186	2.8	12.594	538	9325	385	9325	799	186	8.27E-03	GSS07 - 2A □□□ 100C22 MDSKA□□ 100-22 80
211	164	3.2	14.286	626	9325	448	9325	1036	164	7.68E-03	GSS07 - 2A □□□ 100C22 MDSKA□□ 100-22 80
224	151	2.7	15.500	662	9325	474	9325	931	151	7.98E-03	GSS07 - 2A □□□ 100C22 MDSKA□□ 100-22 80
251	135	2.6	17.360	741	9325	531	9325	1012	135	7.84E-03	GSS07 - 2A □□□ 100C22 MDSKA□□ 100-22 80
280	114	1.9	20.517	803	9325	586	9325	764	114	8.56E-03	GSS07 - 2A □□□ 100C22 MDSKA□□ 100-22 80
321	106	2.5	22.143	944	9325	676	9325	1211	106	7.62E-03	GSS07 - 2A □□□ 100C22 MDSKA□□ 100-22 80
347	93	1.7	25.188	904	9325	725	9325	913	93	8.16E-03	GSS07 - 2A □□□ 100C22 MDSKA□□ 100-22 80

Observe the notes for thermal dimensioning.

Selection tables - Helical-worm gearboxes

Naturally ventilated asynchronous geared servo motors

M ₂ [Nm]	n ₂ trans [rpm]	c	i	M ₂ max short-time M ₂ Gr on geared motor at				n ₂ therm gearbox c=1 n ₁ ≤ 1400 rpm		J _G M referred to motor shaft [kgm ²]	Servo helical- worm geared motor Dimensions on Page 7-47
				8 kHz		16 kHz		[Nm]	[rpm]		
				M ₂ max [Nm]	Type EVS	M ₂ max [Nm]	Type EVS				
393	86	2.3	27.125	1155	9325	827	9325	1250	86	7.51E-03	GSS07 - 2A □□□ 100C22 MDSKA□□ 100-22 80
427	75	1.6	31.000	1055	9325	893	9325	1065	75	7.91E-03	GSS07 - 2A □□□ 100C22 MDSKA□□ 100-22 80
536	60	1.5	39.200	1222	9325	1119	9325	1175	60	7.74E-03	GSS07 - 2A □□□ 100C22 MDSKA□□ 100-22 80
683	47	1.4	50.000	1459	9325	1423	9325	1250	47	7.55E-03	GSS07 - 2A □□□ 100C22 MDSKA□□ 100-22 80
747	43	1.4	54.250	1598	9325	1556	9325	1250	43	7.49E-03	GSS07 - 2A □□□ 100C22 MDSKA□□ 100-22 80
835	38	1.3	61.250	1688	9325	1688	9325	1250	38	7.47E-03	GSS07 - 2A □□□ 100C22 MDSKA□□ 100-22 80
63	708	4.0	5.862	233	9326	139	9326	539	418	9.34E-03	GSS07 - 2A □□□ 100C22 MDSKA□□ 100-22 140
87	511	3.7	8.125	325	9326	193	9326	685	301	8.48E-03	GSS07 - 2A □□□ 100C22 MDSKA□□ 100-22 140
96	457	3.6	9.086	355	9326	212	9326	628	269	8.94E-03	GSS07 - 2A □□□ 100C22 MDSKA□□ 100-22 140
108	415	3.5	10.000	400	9326	238	9326	797	245	8.11E-03	GSS07 - 2A □□□ 100C22 MDSKA□□ 100-22 140
121	371	3.4	11.200	449	9326	267	9326	866	219	7.95E-03	GSS07 - 2A □□□ 100C22 MDSKA□□ 100-22 140
134	330	3.1	12.594	493	9326	294	9326	799	194	8.27E-03	GSS07 - 2A □□□ 100C22 MDSKA□□ 100-22 140
155	291	3.1	14.286	573	9326	342	9326	1036	171	7.68E-03	GSS07 - 2A □□□ 100C22 MDSKA□□ 100-22 140
165	268	2.8	15.500	607	9326	362	9326	931	158	7.98E-03	GSS07 - 2A □□□ 100C22 MDSKA□□ 100-22 140
185	239	2.6	17.360	680	9326	405	9326	1012	141	7.84E-03	GSS07 - 2A □□□ 100C22 MDSKA□□ 100-22 140
205	202	2.1	20.517	643	9326	446	9326	764	119	8.56E-03	GSS07 - 2A □□□ 100C22 MDSKA□□ 100-22 140
237	187	2.4	22.143	867	9326	517	9326	1211	111	7.62E-03	GSS07 - 2A □□□ 100C22 MDSKA□□ 100-22 140
255	165	1.8	25.188	713	9326	553	9326	913	97	8.16E-03	GSS07 - 2A □□□ 100C22 MDSKA□□ 100-22 140
290	153	2.3	27.125	1010	9326	632	9326	1250	90	7.51E-03	GSS07 - 2A □□□ 100C22 MDSKA□□ 100-22 140
314	134	1.7	31.000	796	9326	681	9326	1065	79	7.91E-03	GSS07 - 2A □□□ 100C22 MDSKA□□ 100-22 140
396	106	1.5	39.200	893	9326	856	9326	1175	62	7.74E-03	GSS07 - 2A □□□ 100C22 MDSKA□□ 100-22 140
505	83	1.4	50.000	1059	9326	1059	9326	1250	49	7.55E-03	GSS07 - 2A □□□ 100C22 MDSKA□□ 100-22 140
552	77	1.4	54.250	1153	9326	1153	9326	1250	45	7.49E-03	GSS07 - 2A □□□ 100C22 MDSKA□□ 100-22 140
617	68	1.3	61.250	1227	9326	1227	9326	1250	40	7.47E-03	GSS07 - 2A □□□ 100C22 MDSKA□□ 100-22 140
131	425	2.7	5.862	422	9326	302	9326	539	343	2.01E-02	GSS07 - 2A □□□ 112C22 MDSKA□□ 112-22 85
182	306	2.5	8.125	586	9326	419	9326	685	248	1.93E-02	GSS07 - 2A □□□ 112C22 MDSKA□□ 112-22 85
199	274	2.2	9.086	641	9326	458	9326	628	222	1.97E-02	GSS07 - 2A □□□ 112C22 MDSKA□□ 112-22 85
225	249	2.3	10.000	723	9326	517	9326	797	201	1.89E-02	GSS07 - 2A □□□ 112C22 MDSKA□□ 112-22 85
252	222	2.3	11.200	810	9326	579	9326	866	180	1.87E-02	GSS07 - 2A □□□ 112C22 MDSKA□□ 112-22 85
278	198	1.9	12.594	793	9326	636	9326	799	160	1.91E-02	GSS07 - 2A □□□ 112C22 MDSKA□□ 112-22 85
342	161	1.8	15.500	925	9326	782	9326	931	130	1.88E-02	GSS07 - 2A □□□ 112C22 MDSKA□□ 112-22 85
383	143	1.7	17.360	1005	9326	876	9326	1012	116	1.86E-02	GSS07 - 2A □□□ 112C22 MDSKA□□ 112-22 85
425	121	1.3	20.517	803	9326	803	9326	764	98	1.94E-02	GSS07 - 2A □□□ 112C22 MDSKA□□ 112-22 85
527	99	1.1	25.188	904	9326	904	9326	913	80	1.90E-02	GSS07 - 2A □□□ 112C22 MDSKA□□ 112-22 85

Observe the notes for thermal dimensioning.

Selection tables - Helical-worm gearboxes

Naturally ventilated asynchronous geared servo motors



M ₂ [Nm]	n ₂ trans [rpm]	c	i	M ₂ max short-time M ₂ Gr on geared motor at				n ₂ therm gearbox c=1 n ₁ ≤ 1400 rpm		J _{GM} referred to motor shaft [kgm ²]	Servo helical- worm geared motor Dimensions on Page 7-47
				8 kHz		16 kHz		[Nm]	[rpm]		
				M ₂ max [Nm]	Type EVS	M ₂ max [Nm]	Type EVS				
649	80	1.1	31.000	1055	9326	1055	9326	1065	65	1.87E-02	GSS07 - 2A □□□ 112C22 MDSKA□□ 112-22 85
814	64	1.0	39.200	1222	9326	1222	9326	1175	51	1.85E-02	GSS07 - 2A □□□ 112C22 MDSKA□□ 112-22 85
90	710	2.8	5.862	236	9326	202	9327	539	343	2.01E-02	GSS07 - 2A □□□ 112C22 MDSKA□□ 112-22 140
125	512	2.6	8.125	329	9326	281	9327	685	248	1.93E-02	GSS07 - 2A □□□ 112C22 MDSKA□□ 112-22 140
137	458	2.5	9.086	360	9326	308	9327	628	222	1.97E-02	GSS07 - 2A □□□ 112C22 MDSKA□□ 112-22 140
155	416	2.4	10.000	406	9326	347	9327	797	201	1.89E-02	GSS07 - 2A □□□ 112C22 MDSKA□□ 112-22 140
174	371	2.4	11.200	455	9326	389	9327	866	180	1.87E-02	GSS07 - 2A □□□ 112C22 MDSKA□□ 112-22 140
191	330	2.2	12.594	500	9326	427	9327	799	160	1.91E-02	GSS07 - 2A □□□ 112C22 MDSKA□□ 112-22 140
236	268	2.0	15.500	616	9326	526	9327	931	130	1.88E-02	GSS07 - 2A □□□ 112C22 MDSKA□□ 112-22 140
265	240	1.9	17.360	690	9326	589	9327	1012	116	1.86E-02	GSS07 - 2A □□□ 112C22 MDSKA□□ 112-22 140
292	203	1.5	20.517	643	9326	643	9327	764	98	1.94E-02	GSS07 - 2A □□□ 112C22 MDSKA□□ 112-22 140
363	165	1.3	25.188	713	9326	713	9327	913	80	1.90E-02	GSS07 - 2A □□□ 112C22 MDSKA□□ 112-22 140
448	134	1.2	31.000	796	9326	796	9327	1065	65	1.87E-02	GSS07 - 2A □□□ 112C22 MDSKA□□ 112-22 140
563	106	1.1	39.200	893	9326	893	9327	1175	51	1.85E-02	GSS07 - 2A □□□ 112C22 MDSKA□□ 112-22 140
196	31	3.8	126.531	452	9322	538	9323	1250	31	3.26E-04	GSS07 - 3A □□□ 056C22 MDSKA□□ 056-22 140
220	28	3.7	142.857	505	9322	601	9323	1250	28	3.22E-04	GSS07 - 3A □□□ 056C22 MDSKA□□ 056-22 140
239	25	3.7	155.000	550	9322	655	9323	1250	25	3.14E-04	GSS07 - 3A □□□ 056C22 MDSKA□□ 056-22 140
268	23	3.5	175.000	615	9322	732	9323	1250	23	3.12E-04	GSS07 - 3A □□□ 056C22 MDSKA□□ 056-22 140
310	20	3.2	201.746	708	9322	843	9323	1250	20	2.77E-04	GSS07 - 3A □□□ 056C22 MDSKA□□ 056-22 140
347	17	3.0	227.778	791	9322	943	9323	1250	17	2.76E-04	GSS07 - 3A □□□ 056C22 MDSKA□□ 056-22 140
378	16	2.8	247.139	861	9322	1025	9323	1250	16	2.73E-04	GSS07 - 3A □□□ 056C22 MDSKA□□ 056-22 140
422	14	2.7	279.028	959	9322	1143	9323	1250	14	2.72E-04	GSS07 - 3A □□□ 056C22 MDSKA□□ 056-22 140
493	12	1.9	321.673	1110	9322	1322	9323	1250	12	2.68E-04	GSS07 - 3A □□□ 056C22 MDSKA□□ 056-22 140
547	11	1.9	363.179	1231	9322	1466	9323	1250	11	2.68E-04	GSS07 - 3A □□□ 056C22 MDSKA□□ 056-22 140
601	10	1.7	394.245	1349	9322	1560	9323	1250	10	2.66E-04	GSS07 - 3A □□□ 056C22 MDSKA□□ 056-22 140
665	8.9	1.7	445.116	1493	9322	1725	9323	1250	8.9	2.65E-04	GSS07 - 3A □□□ 056C22 MDSKA□□ 056-22 140
735	8.1	1.5	490.403	1647	9322	1663	9323	1250	8.1	2.58E-04	GSS07 - 3A □□□ 056C22 MDSKA□□ 056-22 140
818	7.1	1.4	553.681	1774	9322	1774	9323	1250	7.1	2.58E-04	GSS07 - 3A □□□ 056C22 MDSKA□□ 056-22 140
943	6.2	1.3	634.639	1778	9322	1778	9323	1250	6.2	2.51E-04	GSS07 - 3A □□□ 056C22 MDSKA□□ 056-22 140
1048	5.5	1.1	716.528	1767	9322	1767	9323	1250	5.5	2.51E-04	GSS07 - 3A □□□ 056C22 MDSKA□□ 056-22 140
402	32	1.9	126.531	1170	9324	934	9324	1250	32	9.16E-04	GSS07 - 3A □□□ 071C22 MDSKA□□ 071-22 140
449	28	1.8	142.857	1244	9324	1044	9324	1250	28	9.12E-04	GSS07 - 3A □□□ 071C22 MDSKA□□ 071-22 140
489	26	1.8	155.000	1359	9324	1136	9324	1250	26	9.04E-04	GSS07 - 3A □□□ 071C22 MDSKA□□ 071-22 140
548	23	1.7	175.000	1439	9324	1271	9324	1250	23	9.02E-04	GSS07 - 3A □□□ 071C22 MDSKA□□ 071-22 140

Observe the notes for thermal dimensioning.

Selection tables - Helical-worm gearboxes

Naturally ventilated asynchronous geared servo motors

M ₂ [Nm]	n ₂ trans [rpm]	c	i	M ₂ max short-time M ₂ Gr on geared motor at				n ₂ therm gearbox c=1 n ₁ ≤ 1400 rpm		J _{GM} referred to motor shaft [kgm ²]	Servo helical- worm geared motor Dimensions on Page 7-47
				8 kHz		16 kHz		[Nm]	[rpm]		
				M ₂ max [Nm]	Type EVS	M ₂ max [Nm]	Type EVS				
632	20	1.6	201.746	1516	9324	1464	9324	1250	20	8.67E-04	GSS07 - 3A □□□ 071C22 MDSKA□□ 071-22 140
707	18	1.5	227.778	1610	9324	1610	9324	1250	18	8.66E-04	GSS07 - 3A □□□ 071C22 MDSKA□□ 071-22 140
770	16	1.4	247.139	1606	9324	1606	9324	1250	16	8.63E-04	GSS07 - 3A □□□ 071C22 MDSKA□□ 071-22 140
859	15	1.3	279.028	1719	9324	1719	9324	1250	15	8.62E-04	GSS07 - 3A □□□ 071C22 MDSKA□□ 071-22 140
660	16	1.9	126.531	1503	9323	1875	9324	1250	16	2.01E-03	GSS07 - 3A □□□ 080C22 MDSKA□□ 080-22 70
738	14	1.7	142.857	1678	9323	1875	9324	1250	14	2.00E-03	GSS07 - 3A □□□ 080C22 MDSKA□□ 080-22 70
805	13	1.5	155.000	1827	9323	1875	9324	1250	13	1.99E-03	GSS07 - 3A □□□ 080C22 MDSKA□□ 080-22 70
898	11	1.4	175.000	1875	9323	1875	9324	1250	11	1.99E-03	GSS07 - 3A □□□ 080C22 MDSKA□□ 080-22 70
545	32	1.4	126.531	1170	9324	1170	9325	1250	28	2.01E-03	GSS07 - 3A □□□ 080C22 MDSKA□□ 080-22 140
610	29	1.4	142.857	1244	9324	1244	9325	1250	25	2.00E-03	GSS07 - 3A □□□ 080C22 MDSKA□□ 080-22 140
664	26	1.4	155.000	1359	9324	1359	9325	1250	23	1.99E-03	GSS07 - 3A □□□ 080C22 MDSKA□□ 080-22 140
743	23	1.3	175.000	1439	9324	1439	9325	1250	21	1.99E-03	GSS07 - 3A □□□ 080C22 MDSKA□□ 080-22 140

Observe the notes for thermal dimensioning.

Selection tables - Helical-worm gearboxes

Forced ventilated asynchronous geared servo motors



M ₂ [Nm]	n ₂ trans [rpm]	c	i	M ₂ max short-time M ₂ Gr on geared motor at				n ₂ therm gearbox c=1 n ₁ ≤ 1400 rpm		J _{GM} referred to motor shaft [kgm ²]	Servo helical- worm geared motor Dimensions on Page 7-47
				8 kHz		16 kHz		[Nm]	[rpm]		
				M ₂ max [Nm]	Type EVS	M ₂ max [Nm]	Type EVS				
31	605	1.7	5.639	65	9324	82	9325	149	605	9.42E-04	GSS04 - 2A □□□ 071C22 MDFKA□□ 071-22 120
43	441	2.0	7.733	90	9324	131	9325	158	441	8.95E-04	GSS04 - 2A □□□ 071C22 MDFKA□□ 071-22 120
50	377	2.1	9.042	104	9324	153	9325	154	377	9.11E-04	GSS04 - 2A □□□ 071C22 MDFKA□□ 071-22 120
55	345	2.1	9.897	116	9324	169	9325	161	345	8.73E-04	GSS04 - 2A □□□ 071C22 MDFKA□□ 071-22 120
61	315	2.0	10.827	127	9324	185	9325	161	315	8.67E-04	GSS04 - 2A □□□ 071C22 MDFKA□□ 071-22 120
69	275	1.8	12.400	143	9324	191	9325	170	275	8.79E-04	GSS04 - 2A □□□ 071C22 MDFKA□□ 071-22 120
78	247	1.9	13.810	163	9324	225	9325	163	247	8.55E-04	GSS04 - 2A □□□ 071C22 MDFKA□□ 071-22 120
88	215	1.5	15.869	183	9324	206	9325	180	215	8.63E-04	GSS04 - 2A □□□ 071C22 MDFKA□□ 071-22 120
96	196	1.5	17.360	200	9324	212	9325	180	196	8.58E-04	GSS04 - 2A □□□ 071C22 MDFKA□□ 071-22 120
103	167	1.1	20.417	167	9324	167	9325	153	167	8.97E-04	GSS04 - 2A □□□ 071C22 MDFKA□□ 071-22 120
123	154	1.2	22.143	230	9324	230	9325	180	154	8.50E-04	GSS04 - 2A □□□ 071C22 MDFKA□□ 071-22 120
150	126	1.1	27.125	245	9324	245	9325	180	126	8.44E-04	GSS04 - 2A □□□ 071C22 MDFKA□□ 071-22 120
31	605	3.7	5.639	66	9324	96	9325	219	605	1.11E-03	GSS05 - 2A □□□ 071C22 MDFKA□□ 071-22 120
43	441	3.4	7.733	91	9324	133	9325	267	441	9.96E-04	GSS05 - 2A □□□ 071C22 MDFKA□□ 071-22 120
48	377	2.6	9.042	101	9324	148	9325	251	377	1.03E-03	GSS05 - 2A □□□ 071C22 MDFKA□□ 071-22 120
55	345	3.2	9.897	117	9324	171	9325	271	345	9.40E-04	GSS05 - 2A □□□ 071C22 MDFKA□□ 071-22 120
61	315	3.1	10.827	128	9324	187	9325	272	315	9.24E-04	GSS05 - 2A □□□ 071C22 MDFKA□□ 071-22 120
67	275	2.7	12.400	141	9324	207	9325	279	275	9.53E-04	GSS05 - 2A □□□ 071C22 MDFKA□□ 071-22 120
78	247	2.9	13.810	164	9324	239	9325	275	247	8.94E-04	GSS05 - 2A □□□ 071C22 MDFKA□□ 071-22 120
87	215	2.5	15.869	182	9324	266	9325	301	215	9.14E-04	GSS05 - 2A □□□ 071C22 MDFKA□□ 071-22 120
95	196	2.4	17.360	199	9324	291	9325	311	196	9.02E-04	GSS05 - 2A □□□ 071C22 MDFKA□□ 071-22 120
99	167	1.4	20.417	205	9324	211	9325	253	167	9.90E-04	GSS05 - 2A □□□ 071C22 MDFKA□□ 071-22 120
122	154	2.0	22.143	255	9324	373	9325	337	154	8.80E-04	GSS05 - 2A □□□ 071C22 MDFKA□□ 071-22 120
125	138	1.6	24.800	260	9324	298	9325	280	138	9.36E-04	GSS05 - 2A □□□ 071C22 MDFKA□□ 071-22 120
150	126	1.8	27.125	313	9324	400	9325	360	126	8.68E-04	GSS05 - 2A □□□ 071C22 MDFKA□□ 071-22 120
162	107	1.3	31.738	329	9324	329	9325	306	107	9.03E-04	GSS05 - 2A □□□ 071C22 MDFKA□□ 071-22 120
196	97	1.5	35.306	407	9324	437	9325	360	97	8.53E-04	GSS05 - 2A □□□ 071C22 MDFKA□□ 071-22 120
198	87	1.2	39.200	347	9324	347	9325	323	87	8.91E-04	GSS05 - 2A □□□ 071C22 MDFKA□□ 071-22 120
245	78	1.3	43.917	470	9324	470	9325	360	78	8.47E-04	GSS05 - 2A □□□ 071C22 MDFKA□□ 071-22 120
60	290	3.2	5.639	152	9324	110	9324	223	290	2.20E-03	GSS05 - 2A □□□ 080C22 MDFKA□□ 080-22 60
83	211	2.9	7.733	209	9324	152	9324	267	211	2.09E-03	GSS05 - 2A □□□ 080C22 MDFKA□□ 080-22 60
94	181	2.5	9.042	237	9324	172	9324	251	181	2.12E-03	GSS05 - 2A □□□ 080C22 MDFKA□□ 080-22 60
107	165	2.5	9.897	268	9324	195	9324	271	165	2.03E-03	GSS05 - 2A □□□ 080C22 MDFKA□□ 080-22 60
117	151	2.3	10.827	293	9324	213	9324	272	151	2.01E-03	GSS05 - 2A □□□ 080C22 MDFKA□□ 080-22 60

Observe the notes for thermal dimensioning.

Selection tables - Helical-worm gearboxes

Forced ventilated asynchronous geared servo motors

M ₂ [Nm]	n ₂ trans [rpm]	c	i	M ₂ max short-time M ₂ Gr on geared motor at				n ₂ therm gearbox c=1 n ₁ ≤ 1400 rpm		J _{GM} referred to motor shaft [kgm ²]	Servo helical- worm geared motor Dimensions on Page 7-47
				8 kHz		16 kHz		[Nm]	[rpm]		
				M ₂ max [Nm]	Type EVS	M ₂ max [Nm]	Type EVS				
130	132	2.0	12.400	325	9324	236	9324	279	132	2.04E-03	GSS05 - 2A □□□ 080C22 MDFKA□□ 080-22 60
151	118	1.8	13.810	375	9324	272	9324	275	118	1.98E-03	GSS05 - 2A □□□ 080C22 MDFKA□□ 080-22 60
168	103	1.7	15.869	417	9324	303	9324	301	103	2.00E-03	GSS05 - 2A □□□ 080C22 MDFKA□□ 080-22 60
184	94	1.6	17.360	438	9324	331	9324	311	94	1.99E-03	GSS05 - 2A □□□ 080C22 MDFKA□□ 080-22 60
196	80	1.2	20.417	354	9324	352	9324	253	80	2.08E-03	GSS05 - 2A □□□ 080C22 MDFKA□□ 080-22 60
235	74	1.3	22.143	475	9324	423	9324	337	74	1.97E-03	GSS05 - 2A □□□ 080C22 MDFKA□□ 080-22 60
245	66	1.1	24.800	392	9324	392	9324	280	66	2.03E-03	GSS05 - 2A □□□ 080C22 MDFKA□□ 080-22 60
288	60	1.2	27.125	508	9324	508	9324	360	60	1.96E-03	GSS05 - 2A □□□ 080C22 MDFKA□□ 080-22 60
54	613	2.2	5.639	148	9325	107	9325	223	613	2.20E-03	GSS05 - 2A □□□ 080C22 MDFKA□□ 080-22 120
75	447	2.0	7.733	205	9325	148	9325	267	447	2.09E-03	GSS05 - 2A □□□ 080C22 MDFKA□□ 080-22 120
84	382	1.5	9.042	190	9325	165	9325	251	382	2.12E-03	GSS05 - 2A □□□ 080C22 MDFKA□□ 080-22 120
96	349	1.8	9.897	263	9325	190	9325	271	349	2.03E-03	GSS05 - 2A □□□ 080C22 MDFKA□□ 080-22 120
105	319	1.8	10.827	286	9325	208	9325	272	319	2.01E-03	GSS05 - 2A □□□ 080C22 MDFKA□□ 080-22 120
117	279	1.6	12.400	280	9325	230	9325	279	279	2.04E-03	GSS05 - 2A □□□ 080C22 MDFKA□□ 080-22 120
135	250	1.7	13.810	340	9325	267	9325	275	250	1.98E-03	GSS05 - 2A □□□ 080C22 MDFKA□□ 080-22 120
150	218	1.5	15.869	333	9325	297	9325	301	218	2.00E-03	GSS05 - 2A □□□ 080C22 MDFKA□□ 080-22 120
165	199	1.4	17.360	344	9325	325	9325	311	199	1.99E-03	GSS05 - 2A □□□ 080C22 MDFKA□□ 080-22 120
211	156	1.2	22.143	374	9325	374	9325	337	156	1.97E-03	GSS05 - 2A □□□ 080C22 MDFKA□□ 080-22 120
260	127	1.0	27.125	400	9325	400	9325	360	127	1.96E-03	GSS05 - 2A □□□ 080C22 MDFKA□□ 080-22 120
57	333	4.8	10.238	122	9324	178	9325	397	333	1.11E-03	GSS06 - 2A □□□ 071C22 MDFKA□□ 071-22 120
62	304	4.7	11.200	133	9324	195	9325	440	304	1.07E-03	GSS06 - 2A □□□ 071C22 MDFKA□□ 071-22 120
80	239	4.4	14.286	170	9324	249	9325	513	239	9.93E-04	GSS06 - 2A □□□ 071C22 MDFKA□□ 071-22 120
87	215	3.7	15.869	186	9324	271	9325	597	215	1.06E-03	GSS06 - 2A □□□ 071C22 MDFKA□□ 071-22 120
95	196	3.6	17.360	203	9324	297	9325	624	196	1.03E-03	GSS06 - 2A □□□ 071C22 MDFKA□□ 071-22 120
122	154	3.4	22.143	258	9324	378	9325	673	154	9.69E-04	GSS06 - 2A □□□ 071C22 MDFKA□□ 071-22 120
149	126	3.2	27.125	316	9324	462	9325	718	126	9.34E-04	GSS06 - 2A □□□ 071C22 MDFKA□□ 071-22 120
166	107	2.2	31.738	347	9324	507	9325	609	107	1.04E-03	GSS06 - 2A □□□ 071C22 MDFKA□□ 071-22 120
195	97	2.9	35.306	410	9324	600	9325	720	97	8.96E-04	GSS06 - 2A □□□ 071C22 MDFKA□□ 071-22 120
203	87	2.0	39.200	424	9324	619	9325	637	87	9.93E-04	GSS06 - 2A □□□ 071C22 MDFKA□□ 071-22 120
242	78	2.5	43.917	509	9324	743	9325	720	78	8.77E-04	GSS06 - 2A □□□ 071C22 MDFKA□□ 071-22 120
258	68	1.9	50.000	539	9324	743	9325	693	68	9.46E-04	GSS06 - 2A □□□ 071C22 MDFKA□□ 071-22 120
282	63	1.9	54.250	589	9324	808	9325	720	63	9.25E-04	GSS06 - 2A □□□ 071C22 MDFKA□□ 071-22 120
316	56	1.7	61.250	658	9324	821	9325	720	56	9.19E-04	GSS06 - 2A □□□ 071C22 MDFKA□□ 071-22 120
366	48	1.6	70.611	761	9324	886	9325	720	48	8.91E-04	GSS06 - 2A □□□ 071C22 MDFKA□□ 071-22 120

Observe the notes for thermal dimensioning.

Selection tables - Helical-worm gearboxes

Forced ventilated asynchronous geared servo motors



M ₂ [Nm]	n ₂ trans [rpm]	c	i	M ₂ max short-time M ₂ Gr on geared motor at				n ₂ therm gearbox c=1 n ₁ ≤ 1400 rpm		J _{GM} referred to motor shaft [kgm ²]	Servo helical- worm geared motor Dimensions on Page 7-47
				8 kHz		16 kHz		[Nm]	[rpm]		
				M ₂ max [Nm]	Type EVS	M ₂ max [Nm]	Type EVS				
410	43	1.5	79.722	852	9324	898	9325	720	43	8.87E-04	GSS06 - 2A □□□ 071C22 MDFKA□□ 071-22 120
455	39	1.4	87.833	943	9324	956	9325	720	39	8.74E-04	GSS06 - 2A □□□ 071C22 MDFKA□□ 071-22 120
509	34	1.3	99.167	968	9324	968	9325	720	34	8.72E-04	GSS06 - 2A □□□ 071C22 MDFKA□□ 071-22 120
587	30	1.2	113.667	1045	9324	1045	9325	720	30	8.58E-04	GSS06 - 2A □□□ 071C22 MDFKA□□ 071-22 120
656	27	1.1	128.333	1058	9324	1058	9325	720	27	8.56E-04	GSS06 - 2A □□□ 071C22 MDFKA□□ 071-22 120
709	25	1.0	137.950	1080	9324	1080	9325	720	25	8.50E-04	GSS06 - 2A □□□ 071C22 MDFKA□□ 071-22 120
61	280	4.9	5.833	158	9324	115	9324	356	280	2.62E-03	GSS06 - 2A □□□ 080C22 MDFKA□□ 080-22 60
85	204	4.4	8.000	217	9324	158	9324	489	204	2.34E-03	GSS06 - 2A □□□ 080C22 MDFKA□□ 080-22 60
95	181	3.8	9.042	241	9324	175	9324	417	181	2.47E-03	GSS06 - 2A □□□ 080C22 MDFKA□□ 080-22 60
109	160	4.5	10.238	279	9324	203	9324	522	160	2.20E-03	GSS06 - 2A □□□ 080C22 MDFKA□□ 080-22 60
119	146	4.2	11.200	305	9324	222	9324	524	146	2.16E-03	GSS06 - 2A □□□ 080C22 MDFKA□□ 080-22 60
130	132	3.4	12.400	329	9324	239	9324	523	132	2.27E-03	GSS06 - 2A □□□ 080C22 MDFKA□□ 080-22 60
154	114	3.3	14.286	390	9324	283	9324	528	114	2.08E-03	GSS06 - 2A □□□ 080C22 MDFKA□□ 080-22 60
166	103	3.2	15.869	420	9324	305	9324	605	103	2.15E-03	GSS06 - 2A □□□ 080C22 MDFKA□□ 080-22 60
182	94	3.1	17.360	460	9324	334	9324	624	94	2.12E-03	GSS06 - 2A □□□ 080C22 MDFKA□□ 080-22 60
201	80	2.1	20.417	502	9324	365	9324	488	80	2.34E-03	GSS06 - 2A □□□ 080C22 MDFKA□□ 080-22 60
232	74	2.7	22.143	584	9324	424	9324	673	74	2.06E-03	GSS06 - 2A □□□ 080C22 MDFKA□□ 080-22 60
246	66	2.0	24.800	614	9324	446	9324	561	66	2.23E-03	GSS06 - 2A □□□ 080C22 MDFKA□□ 080-22 60
285	60	2.3	27.125	712	9324	517	9324	718	60	2.02E-03	GSS06 - 2A □□□ 080C22 MDFKA□□ 080-22 60
314	52	1.8	31.738	782	9324	568	9324	609	52	2.13E-03	GSS06 - 2A □□□ 080C22 MDFKA□□ 080-22 60
371	46	1.9	35.306	923	9324	671	9324	720	46	1.99E-03	GSS06 - 2A □□□ 080C22 MDFKA□□ 080-22 60
385	42	1.5	39.200	898	9324	694	9324	637	42	2.08E-03	GSS06 - 2A □□□ 080C22 MDFKA□□ 080-22 60
460	37	1.6	43.917	1080	9324	830	9324	720	37	1.97E-03	GSS06 - 2A □□□ 080C22 MDFKA□□ 080-22 60
488	33	1.3	50.000	975	9324	879	9324	693	33	2.04E-03	GSS06 - 2A □□□ 080C22 MDFKA□□ 080-22 60
534	30	1.3	54.250	1033	9324	959	9324	720	30	2.02E-03	GSS06 - 2A □□□ 080C22 MDFKA□□ 080-22 60
596	27	1.2	61.250	1045	9324	1045	9324	720	27	2.01E-03	GSS06 - 2A □□□ 080C22 MDFKA□□ 080-22 60
690	23	1.0	70.611	1080	9324	1080	9324	720	23	1.98E-03	GSS06 - 2A □□□ 080C22 MDFKA□□ 080-22 60
56	592	2.6	5.833	154	9325	112	9325	356	592	2.62E-03	GSS06 - 2A □□□ 080C22 MDFKA□□ 080-22 120
77	432	2.8	8.000	213	9325	154	9325	489	432	2.34E-03	GSS06 - 2A □□□ 080C22 MDFKA□□ 080-22 120
86	382	2.5	9.042	238	9325	172	9325	417	382	2.47E-03	GSS06 - 2A □□□ 080C22 MDFKA□□ 080-22 120
99	337	2.8	10.238	274	9325	198	9325	522	337	2.20E-03	GSS06 - 2A □□□ 080C22 MDFKA□□ 080-22 120
109	308	2.7	11.200	300	9325	217	9325	524	308	2.16E-03	GSS06 - 2A □□□ 080C22 MDFKA□□ 080-22 120
119	279	2.3	12.400	327	9325	236	9325	523	279	2.27E-03	GSS06 - 2A □□□ 080C22 MDFKA□□ 080-22 120
139	242	2.5	14.286	384	9325	278	9325	528	242	2.08E-03	GSS06 - 2A □□□ 080C22 MDFKA□□ 080-22 120

Observe the notes for thermal dimensioning.

Selection tables - Helical-worm gearboxes

Forced ventilated asynchronous geared servo motors

M ₂ [Nm]	n ₂ trans [rpm]	c	i	M ₂ max short-time M ₂ Gr on geared motor at				n ₂ therm gearbox c=1 n ₁ ≤ 1400 rpm		J _{GM} referred to motor shaft [kgm ²]	Servo helical- worm geared motor Dimensions on Page 7-47
				8 kHz		16 kHz		[Nm]	[rpm]		
				M ₂ max [Nm]	Type EVS	M ₂ max [Nm]	Type EVS				
152	218	2.2	15.869	418	9325	303	9325	605	218	2.15E-03	GSS06 - 2A □□□ 080C22 MDFKA□□ 080-22 120
166	199	2.1	17.360	457	9325	331	9325	624	199	2.12E-03	GSS06 - 2A □□□ 080C22 MDFKA□□ 080-22 120
182	169	1.4	20.417	394	9325	358	9325	488	169	2.34E-03	GSS06 - 2A □□□ 080C22 MDFKA□□ 080-22 120
212	156	2.0	22.143	582	9325	421	9325	673	156	2.06E-03	GSS06 - 2A □□□ 080C22 MDFKA□□ 080-22 120
225	139	1.4	24.800	461	9325	443	9325	561	139	2.23E-03	GSS06 - 2A □□□ 080C22 MDFKA□□ 080-22 120
260	127	1.9	27.125	712	9325	515	9325	718	127	2.02E-03	GSS06 - 2A □□□ 080C22 MDFKA□□ 080-22 120
287	109	1.3	31.738	550	9325	550	9325	609	109	2.13E-03	GSS06 - 2A □□□ 080C22 MDFKA□□ 080-22 120
338	98	1.7	35.306	878	9325	669	9325	720	98	1.99E-03	GSS06 - 2A □□□ 080C22 MDFKA□□ 080-22 120
351	88	1.2	39.200	625	9325	625	9325	637	88	2.08E-03	GSS06 - 2A □□□ 080C22 MDFKA□□ 080-22 120
420	79	1.5	43.917	941	9325	830	9325	720	79	1.97E-03	GSS06 - 2A □□□ 080C22 MDFKA□□ 080-22 120
447	69	1.1	50.000	743	9325	743	9325	693	69	2.04E-03	GSS06 - 2A □□□ 080C22 MDFKA□□ 080-22 120
488	64	1.1	54.250	808	9325	808	9325	720	64	2.02E-03	GSS06 - 2A □□□ 080C22 MDFKA□□ 080-22 120
547	56	1.0	61.250	821	9325	821	9325	720	56	2.01E-03	GSS06 - 2A □□□ 080C22 MDFKA□□ 080-22 120
113	288	2.7	5.833	305	9325	224	9325	356	288	4.30E-03	GSS06 - 2A □□□ 090C22 MDFKA□□ 090-22 60
155	210	2.4	8.000	420	9325	309	9325	489	210	4.02E-03	GSS06 - 2A □□□ 090C22 MDFKA□□ 090-22 60
173	186	2.1	9.042	465	9325	341	9325	417	186	4.15E-03	GSS06 - 2A □□□ 090C22 MDFKA□□ 090-22 60
199	164	2.5	10.238	539	9325	396	9325	522	164	3.88E-03	GSS06 - 2A □□□ 090C22 MDFKA□□ 090-22 60
218	150	2.4	11.200	590	9325	433	9325	524	150	3.84E-03	GSS06 - 2A □□□ 090C22 MDFKA□□ 090-22 60
237	135	1.9	12.400	636	9325	467	9325	523	135	3.95E-03	GSS06 - 2A □□□ 090C22 MDFKA□□ 090-22 60
281	118	1.9	14.286	753	9325	553	9325	528	118	3.76E-03	GSS06 - 2A □□□ 090C22 MDFKA□□ 090-22 60
303	106	1.8	15.869	812	9325	597	9325	605	106	3.83E-03	GSS06 - 2A □□□ 090C22 MDFKA□□ 090-22 60
331	97	1.8	17.360	876	9325	652	9325	624	97	3.80E-03	GSS06 - 2A □□□ 090C22 MDFKA□□ 090-22 60
364	82	1.2	20.417	644	9325	644	9325	488	82	4.02E-03	GSS06 - 2A □□□ 090C22 MDFKA□□ 090-22 60
422	76	1.5	22.143	951	9325	828	9325	673	76	3.74E-03	GSS06 - 2A □□□ 090C22 MDFKA□□ 090-22 60
445	68	1.1	24.800	758	9325	758	9325	561	68	3.91E-03	GSS06 - 2A □□□ 090C22 MDFKA□□ 090-22 60
516	62	1.3	27.125	1014	9325	1011	9325	718	62	3.70E-03	GSS06 - 2A □□□ 090C22 MDFKA□□ 090-22 60
568	53	1.0	31.738	858	9325	858	9325	609	53	3.81E-03	GSS06 - 2A □□□ 090C22 MDFKA□□ 090-22 60
100	597	1.5	5.833	221	9326	221	9327	356	533	4.30E-03	GSS06 - 2A □□□ 090C22 MDFKA□□ 090-22 120
137	435	1.6	8.000	333	9326	325	9327	489	389	4.02E-03	GSS06 - 2A □□□ 090C22 MDFKA□□ 090-22 120
153	385	1.4	9.042	334	9326	334	9327	417	344	4.15E-03	GSS06 - 2A □□□ 090C22 MDFKA□□ 090-22 120
177	340	1.6	10.238	424	9326	417	9327	522	304	3.88E-03	GSS06 - 2A □□□ 090C22 MDFKA□□ 090-22 120
193	311	1.6	11.200	456	9326	456	9327	524	278	3.84E-03	GSS06 - 2A □□□ 090C22 MDFKA□□ 090-22 120
211	281	1.3	12.400	419	9326	419	9327	523	251	3.95E-03	GSS06 - 2A □□□ 090C22 MDFKA□□ 090-22 120
248	244	1.4	14.286	540	9326	540	9327	528	218	3.76E-03	GSS06 - 2A □□□ 090C22 MDFKA□□ 090-22 120

Observe the notes for thermal dimensioning.

Selection tables - Helical-worm gearboxes

Forced ventilated asynchronous geared servo motors



M ₂ [Nm]	n ₂ trans [rpm]	c	i	M ₂ max short-time M ₂ Gr on geared motor at				n ₂ therm gearbox c=1 n ₁ ≤ 1400 rpm		J _{GM} referred to motor shaft [kgm ²]	Servo helical- worm geared motor Dimensions on Page 7-47
				8 kHz		16 kHz		[Nm]	[rpm]		
				M ₂ max [Nm]	Type EVS	M ₂ max [Nm]	Type EVS				
270	219	1.2	15.869	500	9326	500	9327	605	196	3.83E-03	GSS06 - 2A □□□ 090C22 MDFKA□□ 090-22 120
296	200	1.2	17.360	533	9326	533	9327	624	179	3.80E-03	GSS06 - 2A □□□ 090C22 MDFKA□□ 090-22 120
377	157	1.1	22.143	635	9326	635	9327	673	141	3.74E-03	GSS06 - 2A □□□ 090C22 MDFKA□□ 090-22 120
462	128	1.1	27.125	734	9326	734	9327	718	115	3.70E-03	GSS06 - 2A □□□ 090C22 MDFKA□□ 090-22 120
623	27	1.1	126.531	1047	9324	1047	9325	720	27	8.61E-04	GSS06 - 3A □□□ 071C22 MDFKA□□ 071-22 120
695	24	1.0	142.857	1058	9324	1058	9325	720	24	8.60E-04	GSS06 - 3A □□□ 071C22 MDFKA□□ 071-22 120
121	154	5.0	22.143	260	9324	380	9325	836	154	1.25E-03	GSS07 - 2A □□□ 071C22 MDFKA□□ 071-22 120
193	97	4.5	35.306	414	9324	605	9325	1052	97	1.03E-03	GSS07 - 2A □□□ 071C22 MDFKA□□ 071-22 120
237	79	4.2	43.271	507	9324	740	9325	1090	79	9.73E-04	GSS07 - 2A □□□ 071C22 MDFKA□□ 071-22 120
260	68	2.9	50.000	549	9324	803	9325	1250	68	1.18E-03	GSS07 - 2A □□□ 071C22 MDFKA□□ 071-22 120
370	48	2.7	70.611	779	9324	1139	9325	1250	48	1.01E-03	GSS07 - 2A □□□ 071C22 MDFKA□□ 071-22 120
414	43	2.6	79.722	871	9324	1273	9325	1250	43	1.00E-03	GSS07 - 2A □□□ 071C22 MDFKA□□ 071-22 120
454	39	2.5	86.542	953	9324	1393	9325	1250	39	9.64E-04	GSS07 - 2A □□□ 071C22 MDFKA□□ 071-22 120
508	35	2.3	97.708	1065	9324	1556	9325	1250	35	9.56E-04	GSS07 - 2A □□□ 071C22 MDFKA□□ 071-22 120
596	30	2.1	113.667	1245	9324	1819	9325	1250	30	9.13E-04	GSS07 - 2A □□□ 071C22 MDFKA□□ 071-22 120
667	27	1.9	128.333	1390	9324	1875	9325	1250	27	9.09E-04	GSS07 - 2A □□□ 071C22 MDFKA□□ 071-22 120
722	25	1.7	137.950	1502	9324	1875	9325	1250	25	8.91E-04	GSS07 - 2A □□□ 071C22 MDFKA□□ 071-22 120
808	22	1.5	155.750	1679	9324	1875	9325	1250	22	8.88E-04	GSS07 - 2A □□□ 071C22 MDFKA□□ 071-22 120
908	20	1.4	174.375	1875	9324	1875	9325	1250	20	8.69E-04	GSS07 - 2A □□□ 071C22 MDFKA□□ 071-22 120
1017	17	1.2	196.875	1875	9324	1875	9325	1250	17	8.67E-04	GSS07 - 2A □□□ 071C22 MDFKA□□ 071-22 120
152	114	5.2	14.286	393	9324	285	9324	832	114	2.40E-03	GSS07 - 2A □□□ 080C22 MDFKA□□ 080-22 60
161	105	4.8	15.500	414	9324	301	9324	931	105	2.70E-03	GSS07 - 2A □□□ 080C22 MDFKA□□ 080-22 60
180	94	4.7	17.360	464	9324	337	9324	1012	94	2.56E-03	GSS07 - 2A □□□ 080C22 MDFKA□□ 080-22 60
230	74	4.4	22.143	590	9324	428	9324	1211	74	2.34E-03	GSS07 - 2A □□□ 080C22 MDFKA□□ 080-22 60
282	60	4.2	27.125	721	9324	523	9324	1250	60	2.23E-03	GSS07 - 2A □□□ 080C22 MDFKA□□ 080-22 60
309	53	2.9	31.000	780	9324	567	9324	1065	53	2.63E-03	GSS07 - 2A □□□ 080C22 MDFKA□□ 080-22 60
369	46	3.3	35.306	935	9324	679	9324	1250	46	2.12E-03	GSS07 - 2A □□□ 080C22 MDFKA□□ 080-22 60
388	42	2.7	39.200	975	9324	709	9324	1175	42	2.46E-03	GSS07 - 2A □□□ 080C22 MDFKA□□ 080-22 60
454	38	2.7	43.271	1141	9324	829	9324	1250	38	2.06E-03	GSS07 - 2A □□□ 080C22 MDFKA□□ 080-22 60
495	33	2.4	50.000	1240	9324	901	9324	1250	33	2.27E-03	GSS07 - 2A □□□ 080C22 MDFKA□□ 080-22 60
541	30	2.3	54.250	1354	9324	984	9324	1250	30	2.21E-03	GSS07 - 2A □□□ 080C22 MDFKA□□ 080-22 60
606	27	2.0	61.250	1513	9324	1099	9324	1250	27	2.19E-03	GSS07 - 2A □□□ 080C22 MDFKA□□ 080-22 60
703	23	1.8	70.611	1749	9324	1270	9324	1250	23	2.10E-03	GSS07 - 2A □□□ 080C22 MDFKA□□ 080-22 60
787	21	1.6	79.722	1875	9324	1420	9324	1250	21	2.09E-03	GSS07 - 2A □□□ 080C22 MDFKA□□ 080-22 60

Observe the notes for thermal dimensioning.

Selection tables - Helical-worm gearboxes

Forced ventilated asynchronous geared servo motors

M ₂ [Nm]	n ₂ trans [rpm]	c	i	M ₂ max short-time M ₂ Gr on geared motor at				n ₂ therm gearbox c=1 n ₁ ≤ 1400 rpm		J _G M referred to motor shaft [kgm ²]	Servo helical- worm geared motor Dimensions on Page 7-47
				8 kHz		16 kHz		[Nm]	[rpm]		
				M ₂ max [Nm]	Type EVS	M ₂ max [Nm]	Type EVS				
858	19	1.5	86.542	1875	9324	1545	9324	1250	19	2.05E-03	GSS07 - 2A □□□ 080C22 MDFKA□□ 080-22 60
961	17	1.3	97.708	1875	9324	1727	9324	1250	17	2.05E-03	GSS07 - 2A □□□ 080C22 MDFKA□□ 080-22 60
1119	14	1.1	113.667	1875	9324	1875	9324	1250	14	2.00E-03	GSS07 - 2A □□□ 080C22 MDFKA□□ 080-22 60
96	346	4.2	10.000	271	9325	196	9325	746	346	2.83E-03	GSS07 - 2A □□□ 080C22 MDFKA□□ 080-22 120
108	308	4.1	11.200	304	9325	220	9325	775	308	2.67E-03	GSS07 - 2A □□□ 080C22 MDFKA□□ 080-22 120
139	242	3.8	14.286	388	9325	281	9325	832	242	2.40E-03	GSS07 - 2A □□□ 080C22 MDFKA□□ 080-22 120
148	223	3.3	15.500	411	9325	297	9325	931	223	2.70E-03	GSS07 - 2A □□□ 080C22 MDFKA□□ 080-22 120
166	199	3.1	17.360	460	9325	333	9325	1012	199	2.56E-03	GSS07 - 2A □□□ 080C22 MDFKA□□ 080-22 120
212	156	2.9	22.143	587	9325	425	9325	1211	156	2.34E-03	GSS07 - 2A □□□ 080C22 MDFKA□□ 080-22 120
260	127	2.8	27.125	718	9325	520	9325	1250	127	2.23E-03	GSS07 - 2A □□□ 080C22 MDFKA□□ 080-22 120
282	111	2.0	31.000	774	9325	560	9325	1065	111	2.63E-03	GSS07 - 2A □□□ 080C22 MDFKA□□ 080-22 120
338	98	2.6	35.306	934	9325	676	9325	1250	98	2.12E-03	GSS07 - 2A □□□ 080C22 MDFKA□□ 080-22 120
355	88	1.8	39.200	971	9325	703	9325	1175	88	2.46E-03	GSS07 - 2A □□□ 080C22 MDFKA□□ 080-22 120
414	80	2.5	43.271	1142	9325	826	9325	1250	80	2.06E-03	GSS07 - 2A □□□ 080C22 MDFKA□□ 080-22 120
452	69	1.7	50.000	1159	9325	895	9325	1250	69	2.27E-03	GSS07 - 2A □□□ 080C22 MDFKA□□ 080-22 120
495	64	1.7	54.250	1264	9325	980	9325	1250	64	2.21E-03	GSS07 - 2A □□□ 080C22 MDFKA□□ 080-22 120
554	56	1.6	61.250	1344	9325	1095	9325	1250	56	2.19E-03	GSS07 - 2A □□□ 080C22 MDFKA□□ 080-22 120
643	49	1.6	70.611	1537	9325	1271	9325	1250	49	2.10E-03	GSS07 - 2A □□□ 080C22 MDFKA□□ 080-22 120
719	43	1.5	79.722	1628	9325	1421	9325	1250	43	2.09E-03	GSS07 - 2A □□□ 080C22 MDFKA□□ 080-22 120
788	40	1.5	86.542	1755	9325	1555	9325	1250	40	2.05E-03	GSS07 - 2A □□□ 080C22 MDFKA□□ 080-22 120
881	35	1.3	97.708	1780	9325	1737	9325	1250	35	2.05E-03	GSS07 - 2A □□□ 080C22 MDFKA□□ 080-22 120
1032	30	1.2	113.667	1875	9325	1875	9325	1250	30	2.00E-03	GSS07 - 2A □□□ 080C22 MDFKA□□ 080-22 120
1154	27	1.1	128.333	1875	9325	1875	9325	1250	27	2.00E-03	GSS07 - 2A □□□ 080C22 MDFKA□□ 080-22 120
1247	25	1.0	137.950	1875	9325	1875	9325	1250	25	1.98E-03	GSS07 - 2A □□□ 080C22 MDFKA□□ 080-22 120
113	287	4.0	5.862	310	9325	228	9325	539	287	5.74E-03	GSS07 - 2A □□□ 090C22 MDFKA□□ 090-22 60
157	207	3.7	8.125	431	9325	316	9325	685	207	4.88E-03	GSS07 - 2A □□□ 090C22 MDFKA□□ 090-22 60
173	185	3.1	9.086	470	9325	345	9325	628	185	5.34E-03	GSS07 - 2A □□□ 090C22 MDFKA□□ 090-22 60
194	168	3.5	10.000	531	9325	390	9325	797	168	4.51E-03	GSS07 - 2A □□□ 090C22 MDFKA□□ 090-22 60
218	150	3.4	11.200	595	9325	437	9325	866	150	4.35E-03	GSS07 - 2A □□□ 090C22 MDFKA□□ 090-22 60
240	133	2.9	12.594	651	9325	478	9325	799	133	4.67E-03	GSS07 - 2A □□□ 090C22 MDFKA□□ 090-22 60
79	118	3.2	14.286	759	9325	558	9325	973	118	4.08E-03	GSS07 - 2A □□□ 090C22 MDFKA□□ 090-22 60
295	108	2.7	15.500	801	9325	588	9325	931	108	4.38E-03	GSS07 - 2A □□□ 090C22 MDFKA□□ 090-22 60
331	97	2.6	17.360	896	9325	658	9325	1012	97	4.24E-03	GSS07 - 2A □□□ 090C22 MDFKA□□ 090-22 60
370	82	1.8	20.517	993	9325	729	9325	764	82	4.96E-03	GSS07 - 2A □□□ 090C22 MDFKA□□ 090-22 60

Observe the notes for thermal dimensioning.

Selection tables - Helical-worm gearboxes

Forced ventilated asynchronous geared servo motors



M ₂ [Nm]	n ₂ trans [rpm]	c	i	M ₂ max short-time M ₂ Gr on geared motor at				n ₂ therm gearbox c=1 n ₁ ≤ 1400 rpm		J _{GM} referred to motor shaft [kgm ²]	Servo helical- worm geared motor Dimensions on Page 7-47
				8 kHz		16 kHz		[Nm]	[rpm]		
				M ₂ max [Nm]	Type EVS	M ₂ max [Nm]	Type EVS				
421	76	2.5	22.143	1140	9325	837	9325	1211	76	4.02E-03	GSS07 - 2A □□□ 090C22 MDFKA□□ 090-22 60
458	67	1.7	25.188	1196	9325	901	9325	913	67	4.56E-03	GSS07 - 2A □□□ 090C22 MDFKA□□ 090-22 60
516	62	2.3	27.125	1392	9325	1022	9325	1250	62	3.91E-03	GSS07 - 2A □□□ 090C22 MDFKA□□ 090-22 60
562	54	1.6	31.000	1396	9325	1107	9325	1065	54	4.31E-03	GSS07 - 2A □□□ 090C22 MDFKA□□ 090-22 60
673	48	1.8	35.306	1807	9325	1326	9325	1250	48	3.80E-03	GSS07 - 2A □□□ 090C22 MDFKA□□ 090-22 60
704	43	1.5	39.200	1608	9325	1384	9325	1175	43	4.14E-03	GSS07 - 2A □□□ 090C22 MDFKA□□ 090-22 60
824	39	1.5	43.271	1875	9325	1620	9325	1250	39	3.74E-03	GSS07 - 2A □□□ 090C22 MDFKA□□ 090-22 60
897	34	1.3	50.000	1799	9325	1760	9325	1250	34	3.95E-03	GSS07 - 2A □□□ 090C22 MDFKA□□ 090-22 60
981	31	1.3	54.250	1875	9325	1875	9325	1250	31	3.89E-03	GSS07 - 2A □□□ 090C22 MDFKA□□ 090-22 60
1097	27	1.1	61.250	1875	9325	1875	9325	1250	27	3.87E-03	GSS07 - 2A □□□ 090C22 MDFKA□□ 090-22 60
100	594	2.8	5.862	273	9326	240	9327	539	531	5.74E-03	GSS07 - 2A □□□ 090C22 MDFKA□□ 090-22 120
140	428	2.5	8.125	380	9326	334	9327	685	383	4.88E-03	GSS07 - 2A □□□ 090C22 MDFKA□□ 090-22 120
154	383	2.4	9.086	416	9326	366	9327	628	342	5.34E-03	GSS07 - 2A □□□ 090C22 MDFKA□□ 090-22 120
173	348	2.4	10.000	469	9326	412	9327	797	311	4.51E-03	GSS07 - 2A □□□ 090C22 MDFKA□□ 090-22 120
194	311	2.3	11.200	525	9326	462	9327	866	278	4.35E-03	GSS07 - 2A □□□ 090C22 MDFKA□□ 090-22 120
214	276	2.1	12.594	577	9326	508	9327	799	247	4.67E-03	GSS07 - 2A □□□ 090C22 MDFKA□□ 090-22 120
248	244	2.2	14.286	671	9326	590	9327	973	218	4.08E-03	GSS07 - 2A □□□ 090C22 MDFKA□□ 090-22 120
264	225	1.9	15.500	711	9326	625	9327	931	201	4.38E-03	GSS07 - 2A □□□ 090C22 MDFKA□□ 090-22 120
296	200	1.8	17.360	796	9326	700	9327	1012	179	4.24E-03	GSS07 - 2A □□□ 090C22 MDFKA□□ 090-22 120
327	170	1.4	20.517	684	9326	684	9327	764	152	4.96E-03	GSS07 - 2A □□□ 090C22 MDFKA□□ 090-22 120
378	157	1.7	22.143	953	9326	893	9327	1211	141	4.02E-03	GSS07 - 2A □□□ 090C22 MDFKA□□ 090-22 120
406	138	1.2	25.188	761	9326	761	9327	913	124	4.56E-03	GSS07 - 2A □□□ 090C22 MDFKA□□ 090-22 120
463	128	1.6	27.125	1107	9326	1093	9327	1250	115	3.91E-03	GSS07 - 2A □□□ 090C22 MDFKA□□ 090-22 120
501	112	1.1	31.000	850	9326	850	9327	1065	100	4.31E-03	GSS07 - 2A □□□ 090C22 MDFKA□□ 090-22 120
602	99	1.5	35.306	1344	9326	1344	9327	1250	88	3.80E-03	GSS07 - 2A □□□ 090C22 MDFKA□□ 090-22 120
630	89	1.0	39.200	971	9326	971	9327	1175	79	4.14E-03	GSS07 - 2A □□□ 090C22 MDFKA□□ 090-22 120
737	80	1.4	43.271	1561	9326	1561	9327	1250	72	3.74E-03	GSS07 - 2A □□□ 090C22 MDFKA□□ 090-22 120
194	290	2.4	5.862	272	9325	328	9326	539	290	9.34E-03	GSS07 - 2A □□□ 100C22 MDFKA□□ 100-22 60
270	209	2.2	8.125	377	9325	456	9326	685	209	8.48E-03	GSS07 - 2A □□□ 100C22 MDFKA□□ 100-22 60
296	187	1.8	9.086	412	9325	497	9326	628	187	8.94E-03	GSS07 - 2A □□□ 100C22 MDFKA□□ 100-22 60
333	170	2.1	10.000	465	9325	562	9326	797	170	8.11E-03	GSS07 - 2A □□□ 100C22 MDFKA□□ 100-22 60
373	152	2.0	11.200	521	9325	629	9326	866	152	7.95E-03	GSS07 - 2A □□□ 100C22 MDFKA□□ 100-22 60
410	135	1.7	12.594	570	9325	689	9326	799	135	8.27E-03	GSS07 - 2A □□□ 100C22 MDFKA□□ 100-22 60
477	119	1.9	14.286	665	9325	803	9326	1036	119	7.68E-03	GSS07 - 2A □□□ 100C22 MDFKA□□ 100-22 60

Observe the notes for thermal dimensioning.

Selection tables - Helical-worm gearboxes

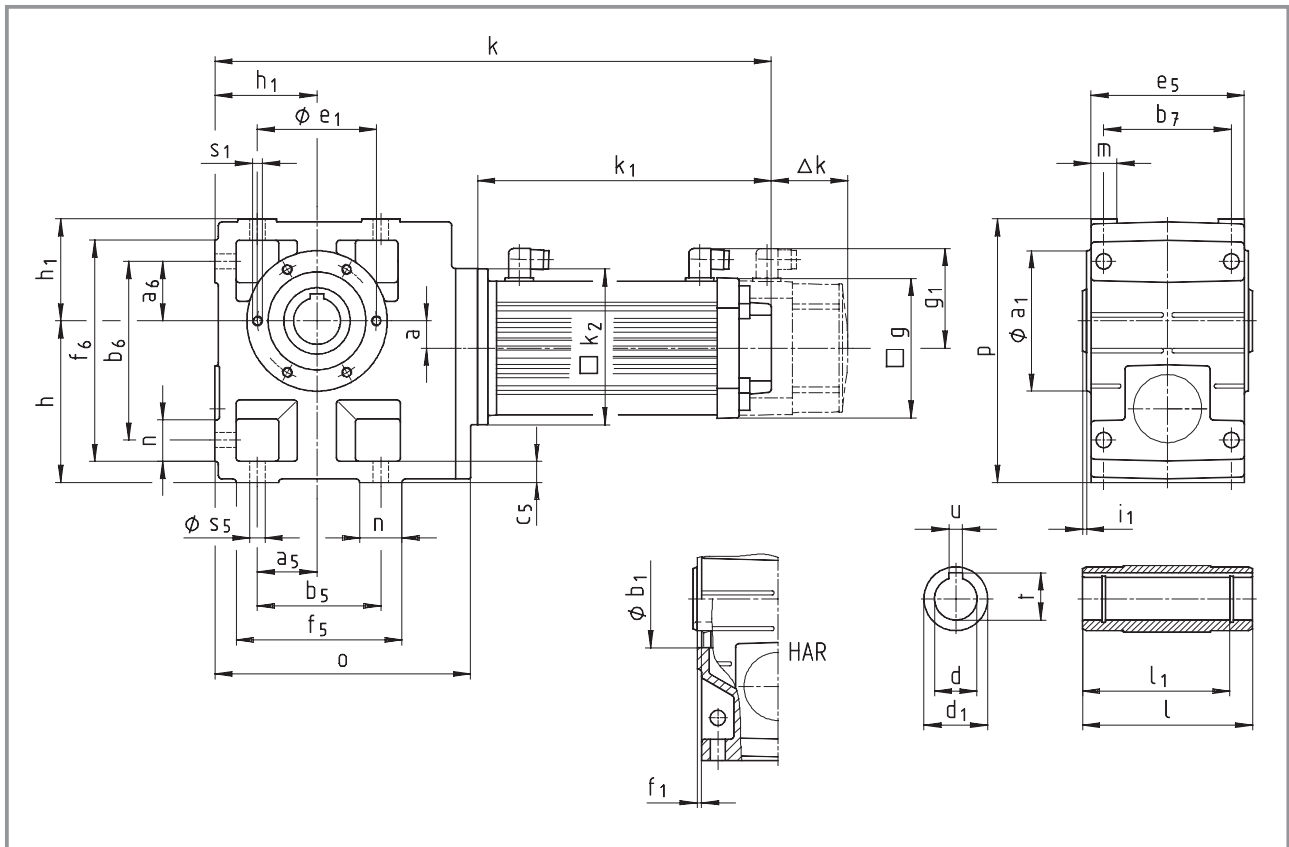
Forced ventilated asynchronous geared servo motors

M ₂ [Nm]	n ₂ trans [rpm]	c	i	M ₂ max short-time M ₂ Gr on geared motor at				n ₂ therm gearbox c=1 n ₁ ≤ 1400 rpm		J _{GM} referred to motor shaft [kgm ²]	Servo helical- worm geared motor Dimensions on Page 7-47
				8 kHz		16 kHz		[Nm]	[rpm]		
				M ₂ max [Nm]	Type EVS	M ₂ max [Nm]	Type EVS				
505	110	1.6	15.500	701	9325	847	9326	931	110	7.98E-03	GSS07 - 2A □□□ 100C22 MDFKA□□ 100-22 60
565	98	1.6	17.360	785	9325	948	9326	1012	98	7.84E-03	GSS07 - 2A □□□ 100C22 MDFKA□□ 100-22 60
629	83	1.1	20.517	869	9325	1004	9326	764	83	8.56E-03	GSS07 - 2A □□□ 100C22 MDFKA□□ 100-22 60
720	77	1.5	22.143	998	9325	1206	9326	1211	77	7.62E-03	GSS07 - 2A □□□ 100C22 MDFKA□□ 100-22 60
779	67	1.0	25.188	1075	9325	1196	9326	913	67	8.16E-03	GSS07 - 2A □□□ 100C22 MDFKA□□ 100-22 60
880	63	1.4	27.125	1220	9325	1473	9326	1250	63	7.51E-03	GSS07 - 2A □□□ 100C22 MDFKA□□ 100-22 60
193	599	1.5	5.862	364	9327	345	9328	539	418	9.34E-03	GSS07 - 2A □□□ 100C22 MDFKA□□ 100-22 120
269	432	1.3	8.125	507	9327	480	9328	685	301	8.48E-03	GSS07 - 2A □□□ 100C22 MDFKA□□ 100-22 120
295	386	1.3	9.086	555	9327	525	9328	628	269	8.94E-03	GSS07 - 2A □□□ 100C22 MDFKA□□ 100-22 120
332	351	1.3	10.000	625	9327	591	9328	797	245	8.11E-03	GSS07 - 2A □□□ 100C22 MDFKA□□ 100-22 120
372	313	1.2	11.200	684	9327	663	9328	866	219	7.95E-03	GSS07 - 2A □□□ 100C22 MDFKA□□ 100-22 120
410	279	1.1	12.594	668	9327	668	9328	799	194	8.27E-03	GSS07 - 2A □□□ 100C22 MDFKA□□ 100-22 120
476	246	1.1	14.286	818	9327	818	9328	1036	171	7.68E-03	GSS07 - 2A □□□ 100C22 MDFKA□□ 100-22 120
332	292	1.4	5.862	565	9326	708	9328	539	292	2.01E-02	GSS07 - 2A □□□ 112C22 MDFKA□□ 112-22 60
461	210	1.3	8.125	784	9326	899	9328	685	210	1.93E-02	GSS07 - 2A □□□ 112C22 MDFKA□□ 112-22 60
504	188	1.1	9.086	824	9326	824	9328	628	188	1.97E-02	GSS07 - 2A □□□ 112C22 MDFKA□□ 112-22 60
568	171	1.2	10.000	966	9326	1047	9328	797	171	1.89E-02	GSS07 - 2A □□□ 112C22 MDFKA□□ 112-22 60
637	153	1.2	11.200	1083	9326	1137	9328	866	153	1.87E-02	GSS07 - 2A □□□ 112C22 MDFKA□□ 112-22 60
632	27	2.0	126.531	1320	9324	1875	9325	1250	27	9.16E-04	GSS07 - 3A □□□ 071C22 MDFKA□□ 071-22 120
708	24	1.7	142.857	1475	9324	1875	9325	1250	24	9.12E-04	GSS07 - 3A □□□ 071C22 MDFKA□□ 071-22 120
772	22	1.6	155.000	1606	9324	1875	9325	1250	22	9.04E-04	GSS07 - 3A □□□ 071C22 MDFKA□□ 071-22 120
866	19	1.4	175.000	1796	9324	1875	9325	1250	19	9.02E-04	GSS07 - 3A □□□ 071C22 MDFKA□□ 071-22 120
999	17	1.2	201.746	1875	9324	1875	9325	1250	17	8.67E-04	GSS07 - 3A □□□ 071C22 MDFKA□□ 071-22 120
1119	15	1.1	227.778	1875	9324	1875	9325	1250	15	8.66E-04	GSS07 - 3A □□□ 071C22 MDFKA□□ 071-22 120
1218	14	1.0	247.139	1875	9324	1875	9325	1250	14	8.63E-04	GSS07 - 3A □□□ 071C22 MDFKA□□ 071-22 120
1186	13	1.1	126.531	1875	9324	1875	9324	1250	13	2.01E-03	GSS07 - 3A □□□ 080C22 MDFKA□□ 080-22 60
1095	27	1.1	126.531	1875	9325	1875	9325	1250	27	2.01E-03	GSS07 - 3A □□□ 080C22 MDFKA□□ 080-22 120
1225	24	1.0	142.857	1875	9325	1875	9325	1250	24	2.00E-03	GSS07 - 3A □□□ 080C22 MDFKA□□ 080-22 120

Observe the notes for thermal dimensioning.

Dimensions - Helical-worm gearboxes

Geared servo motors with resolver



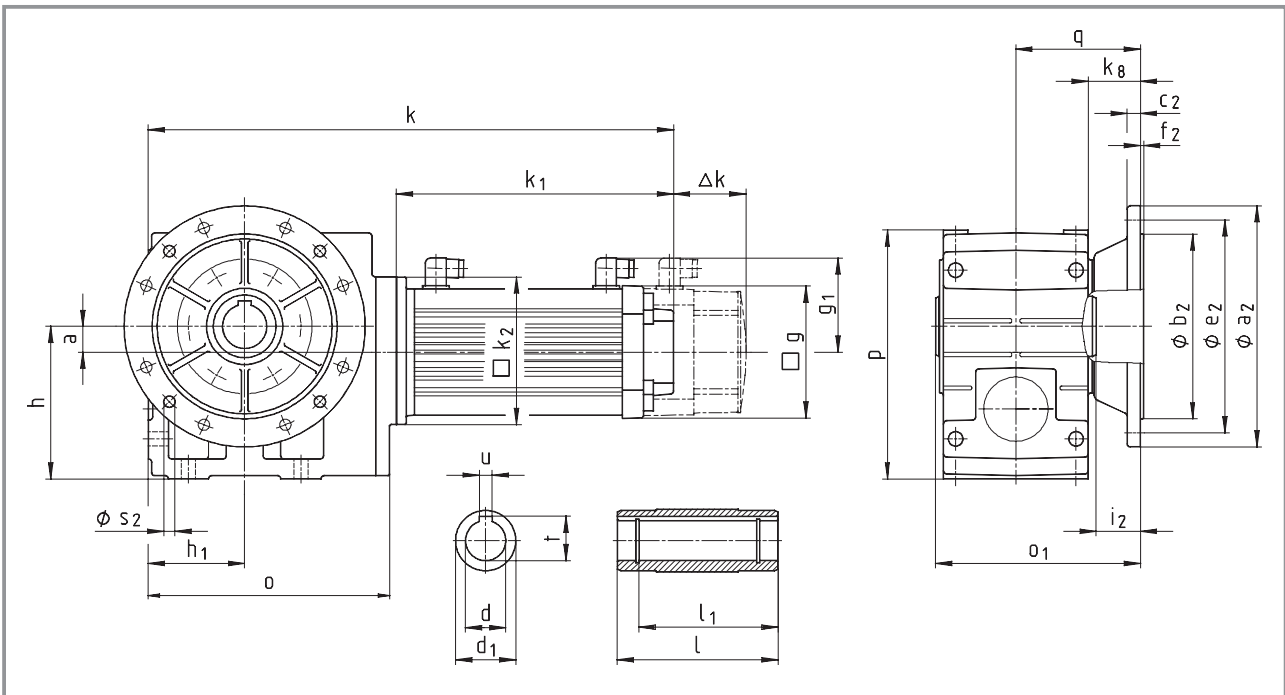
Geared servo motor		S (synchronous servo motors)					A (asynchronous servo motors)										
GSS□□ - 2 ^A S HOR		056		071			056	071	080	090	100	112					
		C23	C33	C03	C13	C33	C22	C22	C22	C22	C22	C22					
Motor	g	102	102	131	131	131	102	131	142	165	192	214					
	g ₁	90	90	102	102	102	90	102	109	118	136	147					
	k ₂	145	145	145	145	145	145	145	180	180	222	265					
	k ₁	naturally ventilated	207	242	215	250	285	258	267	307	346	408	479				
	Δk**	forced ventilated+brake	27	27	35	35	35	25	35	33	35	38	42				
	forced ventilated	-	-	68	68	68	-	68	62	89	97	96					
	forced ventilated+brake	-	-	103	103	103	-	103	95	124	135	138					
Gearbox size	Gearbox						Overall length										
	o	l*	p*	h	h ₁	a	k										
04	181	115	171	100	71	20	402	437	410	445	480	453	462				
05	212	140	205	125	80	23	423	458	432	467	502	475	483	533			
06	255	160	250	150	100	26	463	498	472	507	542	515	523	573	612		
07	305	200	310	190	120	33	506	541	515	550	585	558	566	616	655	724	802

Gearbox size	Hollow shaft						Pitch circle					Foot												
	d H7	l	d ₁	l ₁	u JS9	t +0.2	a ₁	b ₁ H7	e ₁	f ₁	i ₁	s ₁ 6x60°	a ₅	a ₆	b ₅	b ₆	b ₇	c ₅	e ₅	f ₅	f ₆	n	m	s ₅
04	25 30	115	45	100	8 8	28.3 33.3	105	75	90	3	2.5	M6x12	45	45	90	119	85	14	100	112	141	22	20	9
05	30 35	140	50	124	8 10	33.3 38.3	118	80	100	4	4	M8x15	47.5	47.5	95	140	105	17	127	124	169	29	21	11
06	40 45	160	65	140	12 14	43.3 48.8	140	100	120	4	5	M10x16	60	60	120	170	120	20	145	156	206	36	23	14
07	50 55	200	75	175	14 16	53.8 59.3	165	115	140	5	5	M12x18	70	70	140	210	150	25	180	185	255	45	28	18

Dimensions in [mm] * Observe dimension k₂.
 ** See page 8-34 for more built-on accessories for motors

Dimensions - Helical-worm gearboxes

Geared servo motors with resolver



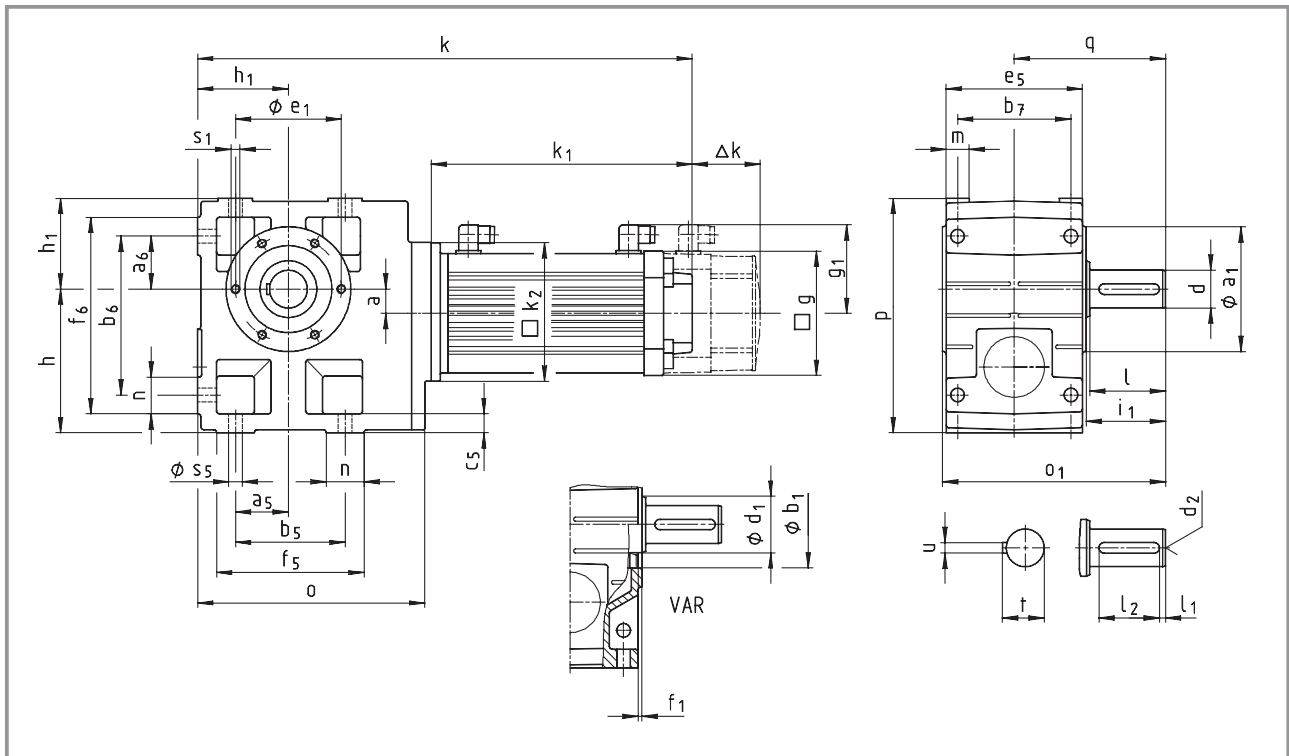
Geared servo motor GSS□□ - 2 AS HAK		S (synchronous servo motors)					A (asynchronous servo motors)												
		056		071			056	071	080	090	100	112							
		C23	C33	C03	C13	C33	C22	C22	C22	C22	C22	C22							
Motor	g	102	102	131	131	131	102	131	142	165	192	214							
	g_1	90	90	102	102	102	90	102	109	118	136	147							
	k_2	145	145	145	145	145	145	145	180	180	222	265							
	k_1 naturally ventilated	207	242	215	250	285	258	267	307	346	408	479							
	Δk^{**} forced ventilated+brake	27	27	35	35	35	25	35	33	35	38	42							
	forced ventilated	-	-	68	68	68	-	68	62	89	97	96							
	forced ventilated+brake	-	-	103	103	103	-	103	95	124	135	138							
Gearbox size	Gearbox								Overall length										
	o	o_1^*	p^*	h	h_1	a	k_8	q	k										
04	181	148	171	100	71	20	38	90.5	402	437	410	445	480	453	462				
05	212	173	205	125	80	23	40	103	423	458	432	467	502	475	483	533			
06	255	201	250	150	100	26	49	121	463	498	472	507	542	515	523	573	612		
07	305	255	310	190	120	33	65	155	506	541	515	550	585	558	566	616	655	724	802

Gearbox size	Hollow shaft		Output flange										
	d H7	l	d_1	l_1	u JS9	t +0.2	a_2	b_2 j7	c_2	e_2	f_2	i_2	s_2
04	25 30	115	45	100	8 8	28.3 33.3	160	110	10	130	3.5	33	4 x 9
05	30 35	140	50	124	8 10	33.3 38.3	200	130	12	165	3.5	33	4 x 11
06	40 45	160	65	140	12 14	43.3 48.8	200 250	130 180	12 15	165 215	3.5 4	42 41	4 x 11 4 x 14
07	50 55	200	75	175	14 16	53.8 59.3	250 300	180 230	15 17	215 265	4	55	4 x 14

Dimensions in [mm] * Observe dimension k_2 .
** See page 8-34 for more built-on accessories for motors

Dimensions - Helical-worm gearboxes

Geared servo motors with resolver



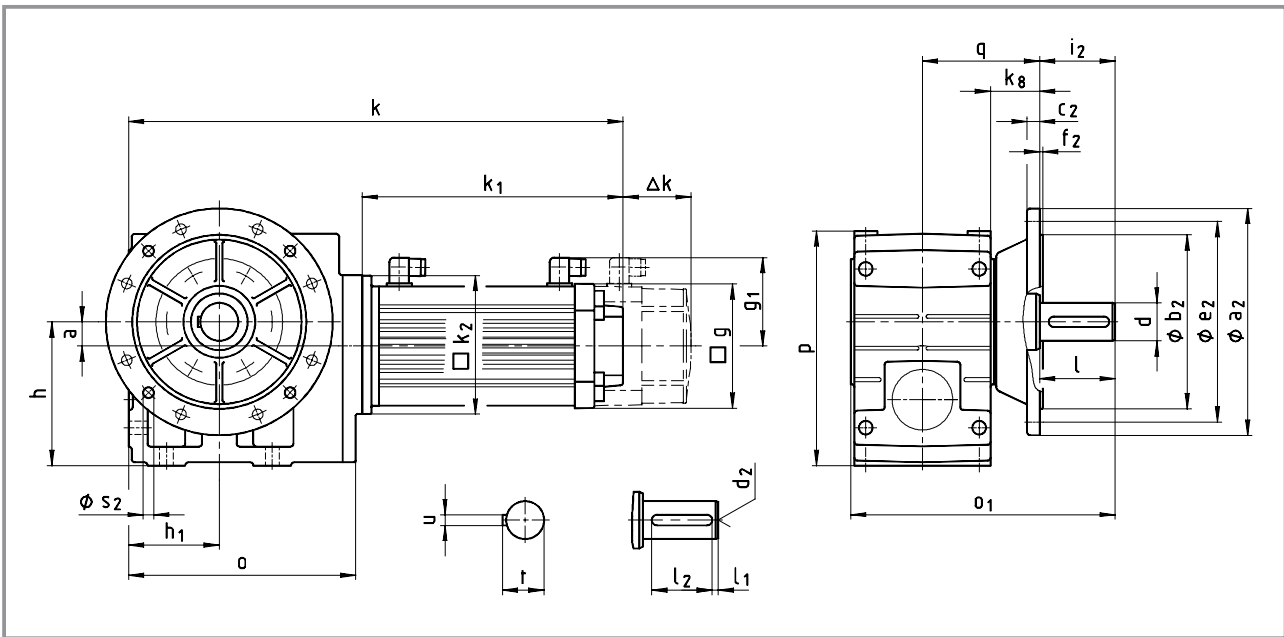
Geared servo motor		S (synchronous servo motors)					A (asynchronous servo motors)																	
GSS□□ - 2 ^A S V□□		056		071			056	071	080	090	100	112												
		C23	C33	C03	C13	C33	C22	C22	C22	C22	C22	C22												
Motor	g	102	102	131	131	131	102	131	142	165	192	214												
	g ₁	90	90	102	102	102	90	102	109	118	136	147												
	k ₂	145	145	145	145	145	145	145	180	180	222	265												
	k ₁	207	242	215	250	285	258	267	307	346	408	479												
Δk^{**}	naturally ventilated	27	27	35	35	35	25	35	33	35	38	42												
	forced ventilated+brake	-	-	68	68	68	-	68	62	89	97	96												
	forced ventilated+brake	-	-	103	103	103	-	103	95	124	135	138												
Gearbox size	Gearbox							Overall length k																
	o	o ₁ *	p*	h	h ₁	a	q																	
04	181	163	171	100	71	20	107.5	402	437	410	445	480	453	462										
05	212	197	205	125	80	23	130	423	458	432	467	502	475	483	533									
06	255	236	250	150	100	26	160	463	498	472	507	542	515	523	573	612								
07	305	296	310	190	120	33	200	506	541	515	550	585	558	566	616	655	724	802						

Gearbox size	Solid shaft								Pitch circle						Foot											
	d	l	d ₁	l ₁	l ₂	d ₂	u	t	a ₁	b ₁ H7	e ₁	f ₁	i ₁	s ₁ 6 x 60°	a ₅	a ₆	b ₅	b ₆	b ₇	c ₅	e ₅	f ₅	f ₆	n	m	s ₅
04	25	50	45	4	40	M10	8	28	105	75	90	3	52.5	M6x12	45	45	90	119	85	14	100	112	141	22	20	9
05	30	60	50	6	45	M10	8	33	118	80	100	4	64	M8x15	47.5	47.5	95	140	105	17	127	124	169	29	21	11
06	40	80	65	7	63	M16	12	43	140	100	120	4	85	M10x16	60	60	120	170	120	20	145	156	206	36	23	14
07	50	100	75	8	80	M16	14	53.5	165	115	140	5	105	M12x18	70	70	140	210	150	25	180	185	255	45	28	18

Dimensions in [mm] d ≤ 50 mm: k6
d > 50 mm: m6 * Observe dimension k₂
** See page 8-34 for more built-on accessories for motors

Dimensions - Helical-worm gearboxes

Geared servo motors with resolver



Geared servo motor		S (synchronous servo motors)					A (asynchronous servo motors)												
GSS□□ - 2 ^A S VAK		056		071			056	071	080	090	100	112							
		C23	C33	C03	C13	C33	C22	C22	C22	C22	C22	C22							
Motor	g	102	102	131	131	131	102	131	142	165	192	214							
	g_1	90	90	102	102	102	90	102	109	118	136	147							
	k_2	145	145	145	145	145	145	145	180	180	222	265							
	k_1 naturally ventilated	207	242	215	250	285	258	267	307	346	408	479							
	Δk^{**} forced ventilated+brake	27	27	35	35	35	25	35	33	35	38	42							
	forced ventilated	-	-	68	68	68	-	68	62	89	97	96							
	forced ventilated+brake	-	-	103	103	103	-	103	95	124	135	138							
Gearbox size	Gearbox								Overall length										
	o	o_1^*	p^*	h	h_1	a	k_8	q	k										
04	181	196	171	100	71	20	38	90.5	402	437	410	445	480	453	462				
05	212	230	205	125	80	23	40	103	423	458	432	467	502	475	483	533			
06	255	277	250	150	100	26	49	121	463	498	472	507	542	515	523	573	612		
07	305	351	310	190	120	33	65	155	506	541	515	550	585	558	566	616	655	724	802

Gearbox size	Solid shaft								Output flange						
	d	l	l_1	l_2	d_2	u	t	a_2	b_2 j7	c_2	e_2	f_2	i_2	s_2	
04	25	50	4	40	M10	8	28	160	110	10	130	3.5	50	4 x 9	
05	30	60	6	45	M10	8	33	200	130	12	165	3.5	60	4 x 11	
06	40	80	7	63	M16	12	43	250	180	15	215	4	80	4 x 14	
07	50	100	8	80	M16	14	53.5	250	180	15	215	4	100	4 x 14	
								300	230	17	265				

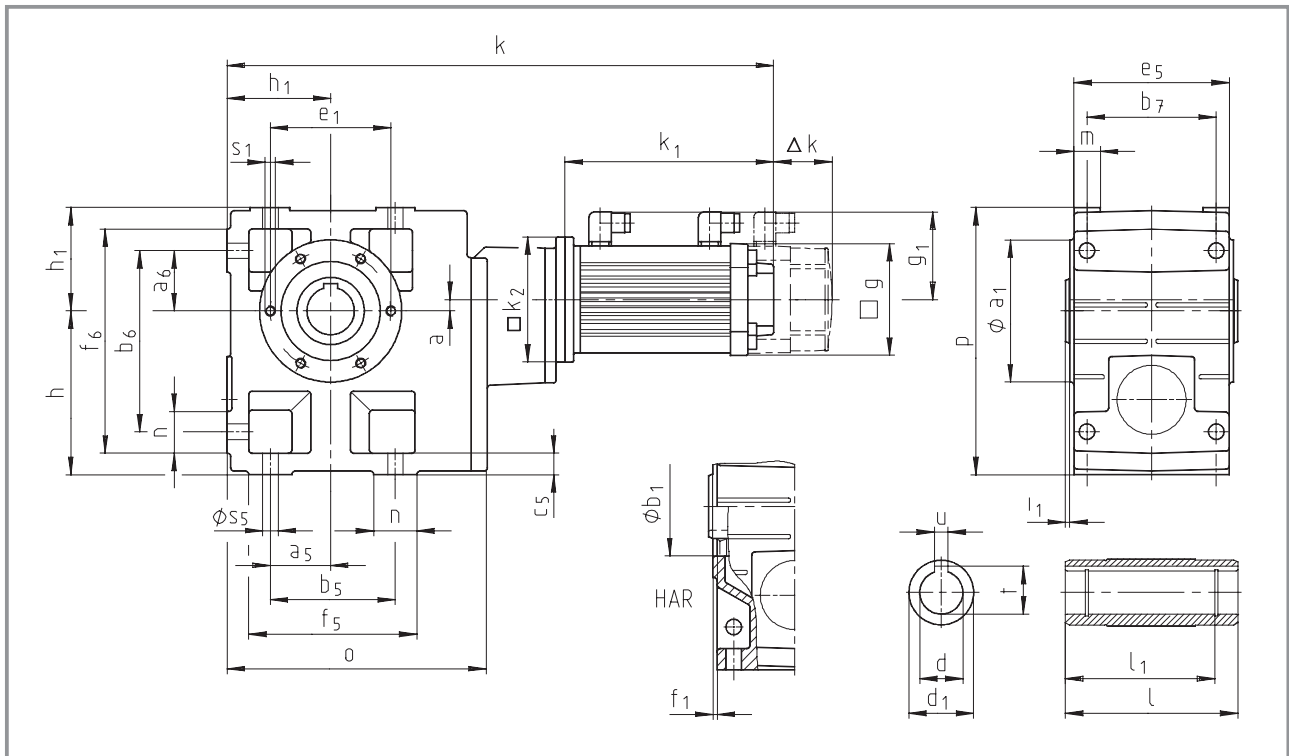
Dimensions in [mm] $d \leq 50$ mm: k6
 $d > 50$ mm: m6

* Observe dimension k_2

** See page 8-34 for more built-on accessories for motors

Dimensions - Helical-worm gearboxes

Geared servo motors with resolver



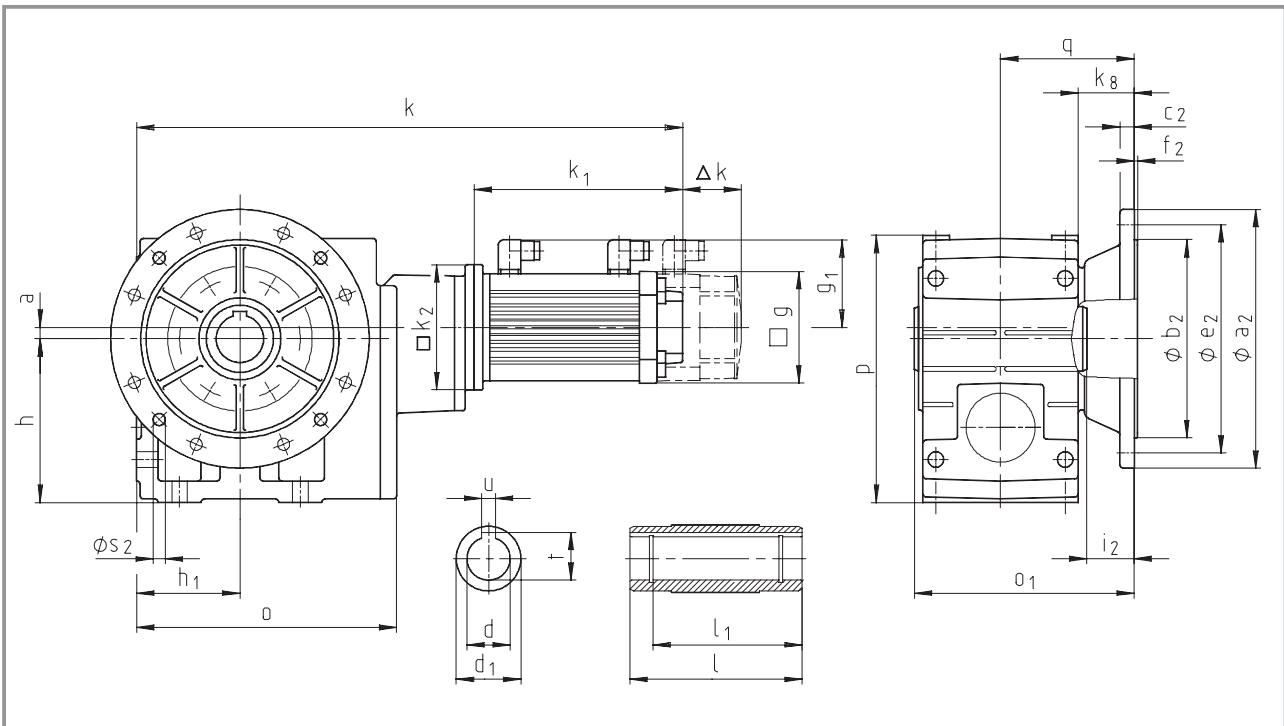
Geared servo motor		S (synchronous servo motors)					A (asynchronous servo motors)							
GSS□□ - 3 A S HAR		056		071			056	071	080					
		C23	C33	C03	C13	C33	C22	C22	C22					
Motor	g	102	102	131	131	131	102	131	142					
	g1	90	90	102	102	102	90	102	109					
	k2	145	145	145	145	145	145	145	180					
	k1 naturally ventilated	207	242	215	250	285	258	267	307					
	Δk** naturally ventilated+brake	27	27	35	35	35	25	35	33					
	forced ventilated	-	-	68	68	68	-	68	62					
	forced ventilated+brake	-	-	103	103	103	-	103	95					
Gearbox size	Gearbox						Overall length							
	o	l*	p*	h	h1	a	k							
05	209	140	205	125	80	13	500	535	508	543	578	551	560	
06	252	160	250	150	100	10	557	592	565	600	635	608	617	
07	299	200	310	190	120	12	611	646	619	654	689	662	671	721

Gearbox size	Hollow shaft						Pitch circle						Foot											
	d H7	l	d1	l1	u JS9	t +0.2	a1	b1 H7	e1	f1	i1	s1 6 x 60°	a5	a6	b5	b6	b7	c5	e5	f5	f6	n	m	s5
05	30	140	50	124	8	33.3	118	80	100	4	4	M8x15	47.5	47.5	95	140	105	17	127	124	169	29	21	11
	35				10	38.3																		
06	40	160	65	140	12	43.3	140	100	120	4	5	M10x16	60	60	120	170	120	20	145	156	206	36	23	14
	45				14	48.8																		
07	50	200	75	175	14	53.8	165	115	140	5	5	M12x18	70	70	140	210	150	25	180	185	255	45	28	18
	55				16	59.3																		

Dimensions in [mm] * Observe dimension k2.
 ** See page 8-34 for more built-on accessories for motors

Dimensions - Helical-worm gearboxes

Geared servo motors with resolver



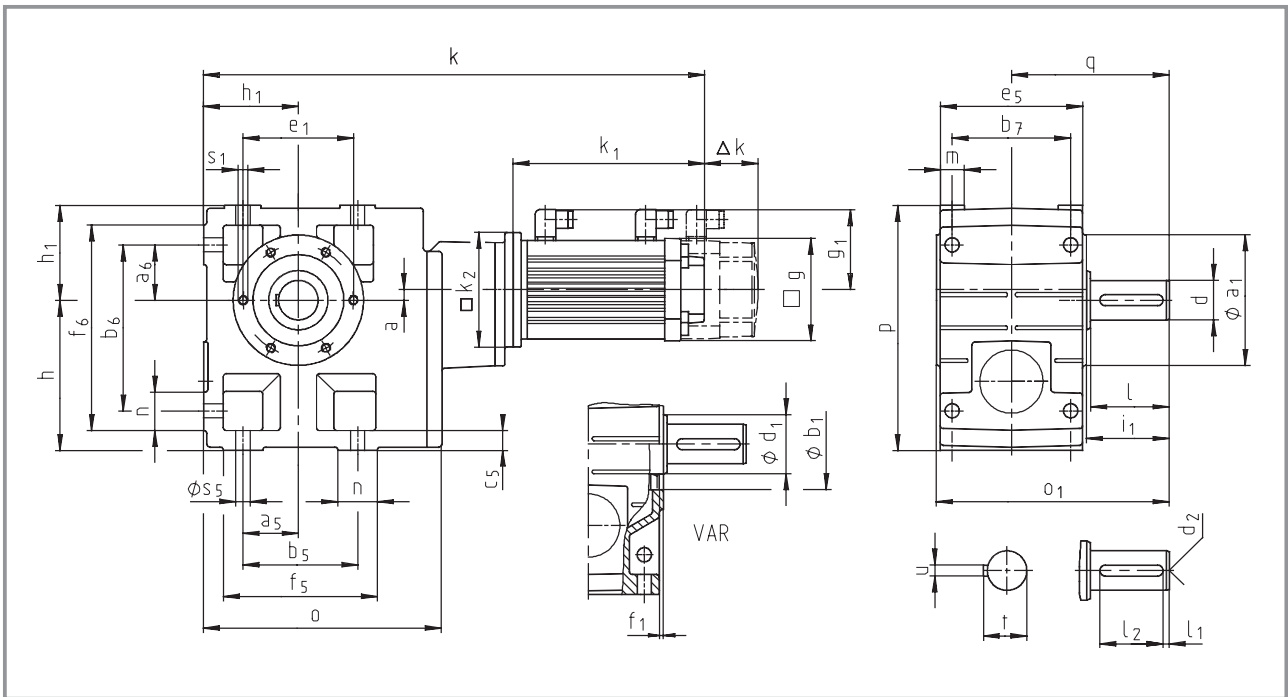
Geared servo motor		S (synchronous servo motors)					A (asynchronous servo motors)										
GSS□□ - 3 A S HAK		056		071			056	071	080								
		C23	C33	C03	C13	C33	C22	C22	C22								
Motor	g	102	102	131	131	131	102	131	142								
	g ₁	90	90	102	102	102	90	102	109								
	k ₂	145	145	145	145	145	145	145	180								
	k ₁ naturally ventilated	207	242	215	250	285	258	267	307								
	Δk** naturally ventilated+brake	27	27	35	35	35	25	35	33								
	forced ventilated	-	-	68	68	68	-	68	62								
	forced ventilated+brake	-	-	103	103	103	-	103	95								
Gearbox size	Gearbox								Overall length								
	o	o ₁ *	p*	h	h ₁	a	k ₈	q	k								
05	209	173	205	125	80	13	40	103	500	535	508	543	578	551	560		
06	252	201	250	150	100	10	49	121	557	592	565	600	635	608	617		
07	299	255	310	190	120	12	65	155	611	646	619	654	689	662	671	721	

Gearbox size	Hollow shaft		Output flange										
	d H7	l	d ₁	l ₁	u JS9	t +0.2	a ₂	b ₂ j7	c ₂	e ₂	f ₂	i ₂	s ₂
05	30	140	50	124	8	33.3	200	130	12	165	3.5	33	4 x 11
	35				10	38.3							
06	40	160	65	140	12	43.3	200	130	12	165	3.5	42	4 x 11
	45				14	48.8							
07	50	200	75	175	14	53.8	250	180	15	215	4	55	4 x 14
	55				16	59.3							

Dimensions in [mm] * Observe dimension k₂.
 ** See page 8-34 for more built-on accessories for motors

Dimensions - Helical-worm gearboxes

Geared servo motors with resolver



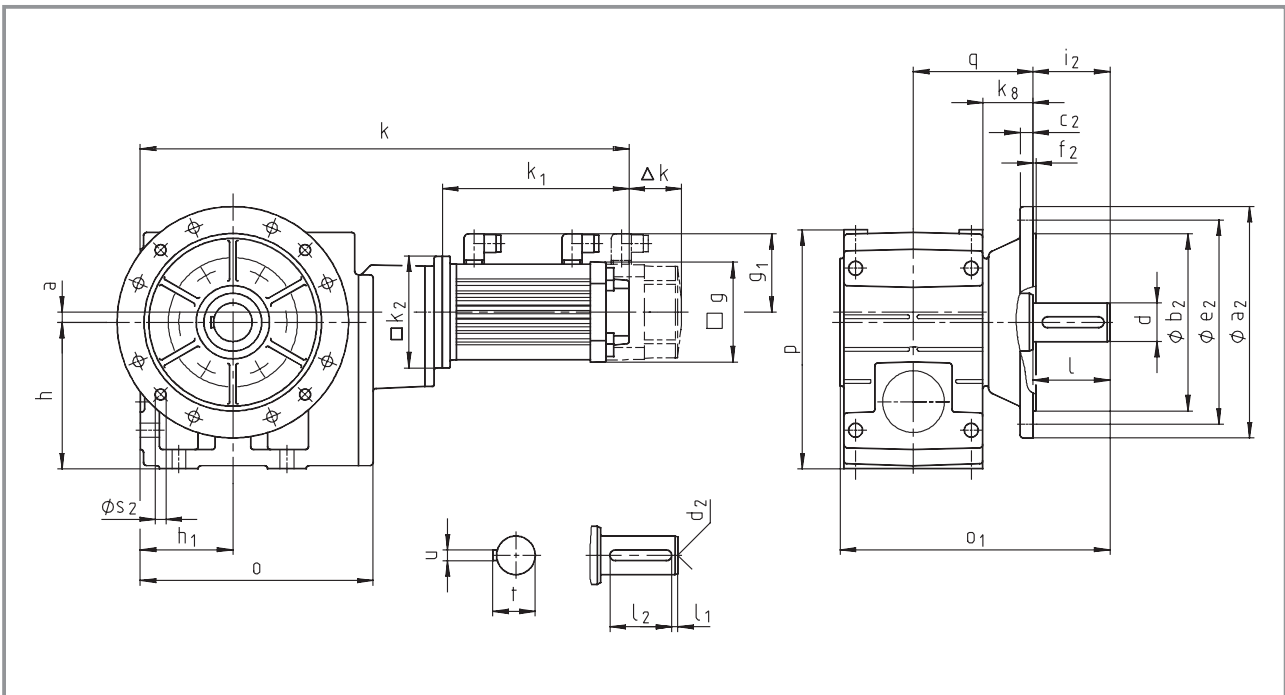
Geared servo motor		S (synchronous servo motors)					A (asynchronous servo motors)								
GSS□□ - 3 ^A S V□□		056		071			056	071	080						
		C23	C33	C03	C13	C33	C22	C22	C22						
Motor	g	102	102	131	131	131	102	131	142						
	g_1	90	90	102	102	102	90	102	109						
	k_2	145	145	145	145	145	145	145	180						
	k_1 naturally ventilated	207	242	215	250	285	258	267	307						
	Δk^{**} naturally ventilated+brake	27	27	35	35	35	25	35	33						
	forced ventilated	-	-	68	68	68	-	68	62						
	forced ventilated+brake	-	-	103	103	103	-	103	95						
Gearbox size	Gearbox							Overall length							
	o	o_1^*	p^*	h	h_1	a	q	k							
05	209	197	205	125	80	13	130	500	535	508	543	578	551	560	
06	252	236	250	150	100	10	160	557	592	565	600	635	608	617	
07	299	296	310	190	120	12	200	611	646	619	654	689	662	671	721

Gearbox size	Solid shaft								Pitch circle						Foot											
	d	l	d_1	l_1	l_2	d_2	u	t	a_1	b_1 H7	e_1	f_1	i_1	s_1 6 x 60°	a_5	a_6	b_5	b_6	b_7	c_5	e_5	f_5	f_6	n	m	s_5
05	30	60	50	6	45	M10	8	33	118	80	100	4	64	M8x15	47.5	47.5	95	140	105	17	127	124	169	29	21	11
06	40	80	65	7	63	M16	12	43	140	100	120	4	85	M10x16	60	60	120	170	120	20	145	156	206	36	23	14
07	50	100	75	8	80	M16	14	53.5	165	115	140	5	105	M12x18	70	70	140	210	150	25	180	185	255	45	28	18

Dimensions in [mm] $d \leq 50$ mm: k6 $d > 50$ mm: m6
 * Observe dimension k_2
 ** See page 8-34 for more built-on accessories for motors

Dimensions - Helical-worm gearboxes

Geared servo motors with resolver



Geared servo motor		S (synchronous servo motors)					A (asynchronous servo motors)									
GSS□□ - 3 AS VAK		056		071			056	071	080							
		C23	C33	C03	C13	C33	C22	C22	C22							
Motor	g	102	102	131	131	131	102	131	142							
	g_1	90	90	102	102	102	90	102	109							
	k_2	145	145	145	145	145	145	145	180							
	k_1 naturally ventilated	207	242	215	250	285	258	267	307							
	Δk^{**} naturally ventilated+brake	27	27	35	35	35	25	35	33							
	forced ventilated	-	-	68	68	68	-	68	62							
	forced ventilated+brake	-	-	103	103	103	-	103	95							
Gearbox size	Gearbox								Overall length							
	o	o_1^*	p^*	h	h_1	a	k_8	q	k							
05	209	230	205	125	80	13	40	103	500	535	508	543	578	551	560	
06	252	277	250	150	100	10	49	121	557	592	565	600	635	608	617	
07	299	351	310	190	120	12	65	155	611	646	619	654	689	662	671	721

Gearbox size	Solid shaft								Output flange						
	d	l	l_1	l_2	d_2	u	t	a_2	b_2 j7	c_2	e_2	f_2	i_2	s_2	
05	30	60	6	45	M10	8	33	200	130	12	165	3.5	60	4 x 11	
06	40	80	7	63	M16	12	43	250	180	15	215	4	80	4 x 14	
07	50	100	8	80	M16	14	53.5	250	180	15	215	4	100	4 x 14	
								300	230	17	265				

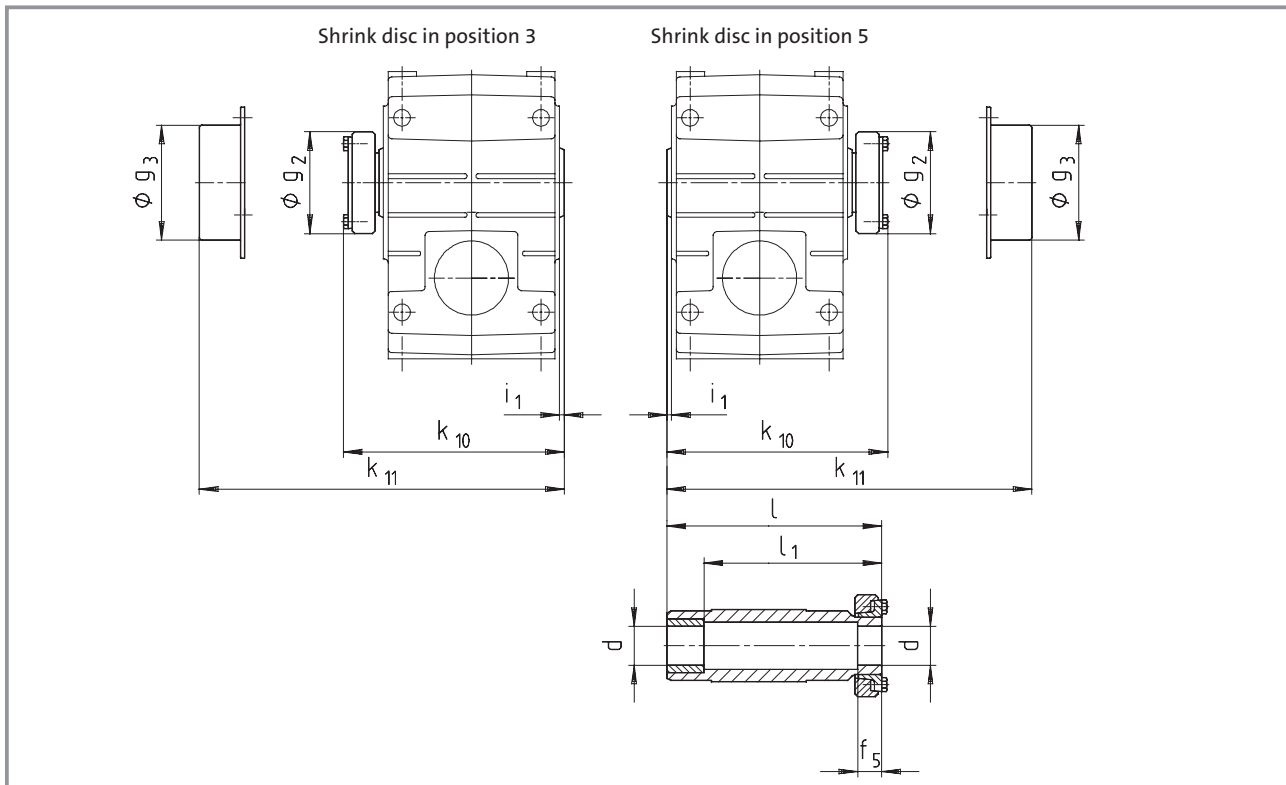
Dimensions in [mm] $d \leq 50$ mm: k6
 $d > 50$ mm: m6

* Observe dimension k_2

** See page 8-34 for more built-on accessories for motors



Hollow shaft with shrink disc

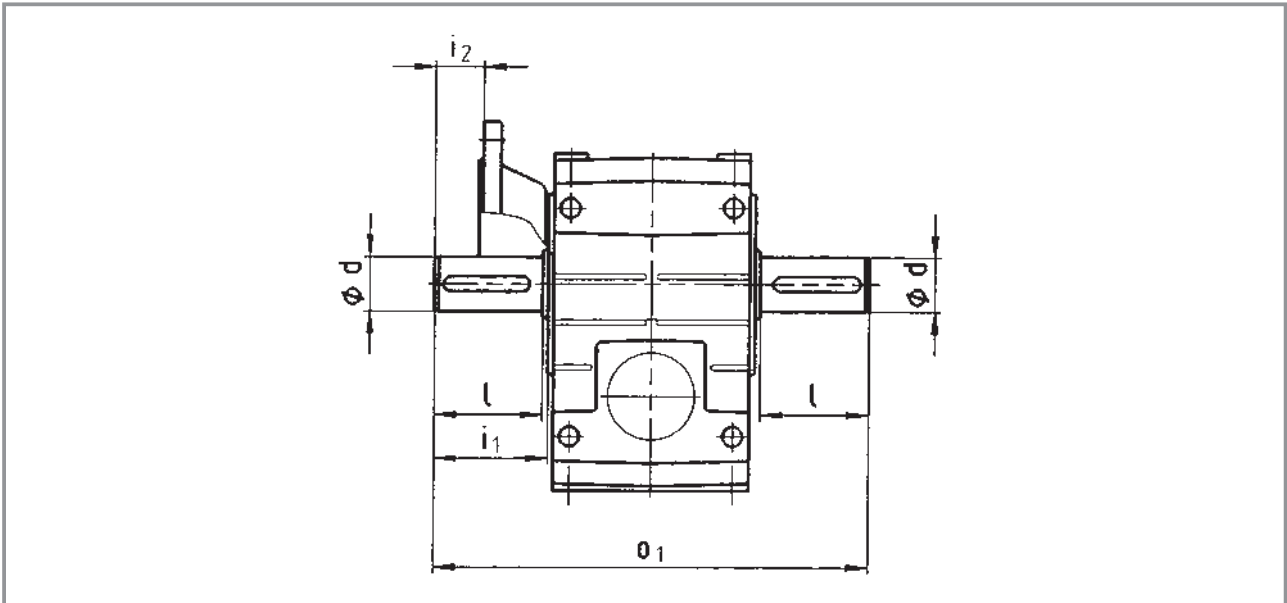


Gearbox size	Machine shaft *		Hollow shaft with shrink disc						Cover	
	d	Fit	i_1	g_2	k_{10}	l	l_1	f_5	g_3	k_{11}
04	25	h6	2.5	72	147.5	142	122	26	79	154
	30									
05	35	h6	4	80	173.5	168	148	28	90	179
06	40	h6	5	90	199.5	194	164	30	100	204
07	50	h6	5	110	237.5	232	192	26	124	244

Dimensions in [mm]

*Ensure that the strength of the shaft material is adequate in shrink disc designs. When using typical steels (e.g. C45, 42CrMo4), the torques listed in the selection tables can be used without restriction. When using material that is considerably weaker, please consult with us. Medium surface roughness R_z must not exceed $15 \mu\text{m}$ (turning operation is sufficient).

Gearbox with 2nd output shaft end

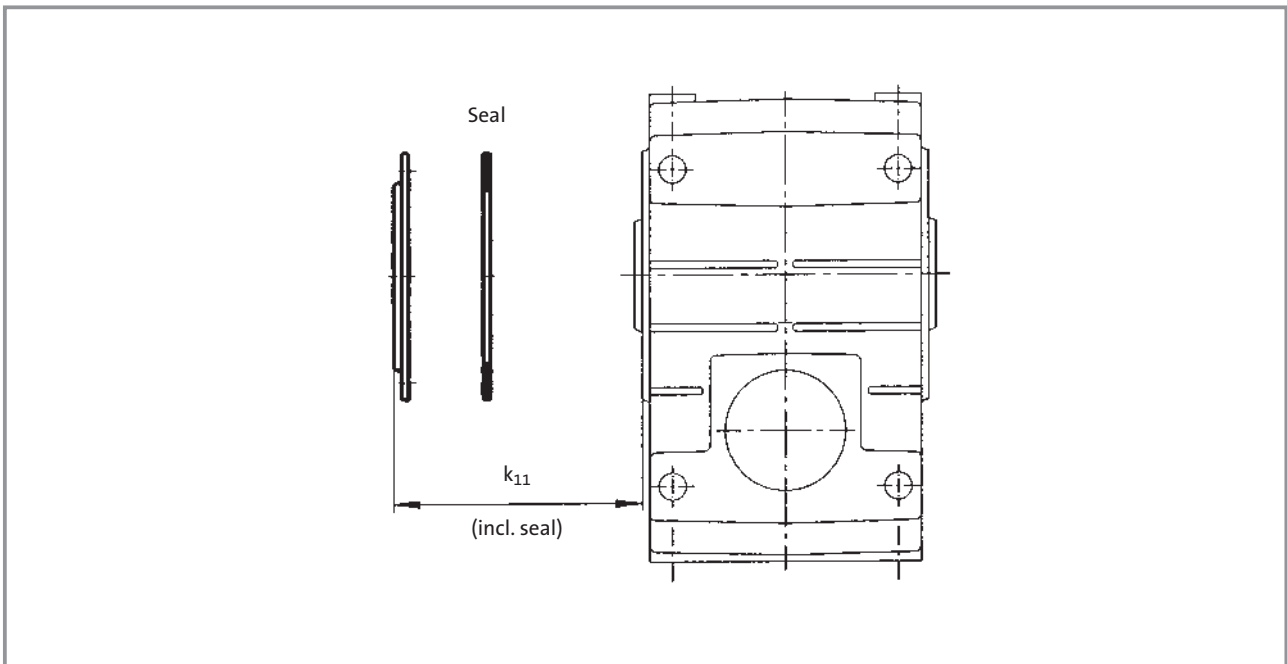


Gearbox size	d	l	i ₁	i ₂	o ₁
04	25	50	52.5	17	215
05	30	60	64	27	260
06	40	80	85	39	320
07	50	100	105	45	400

Dimensions in [mm]



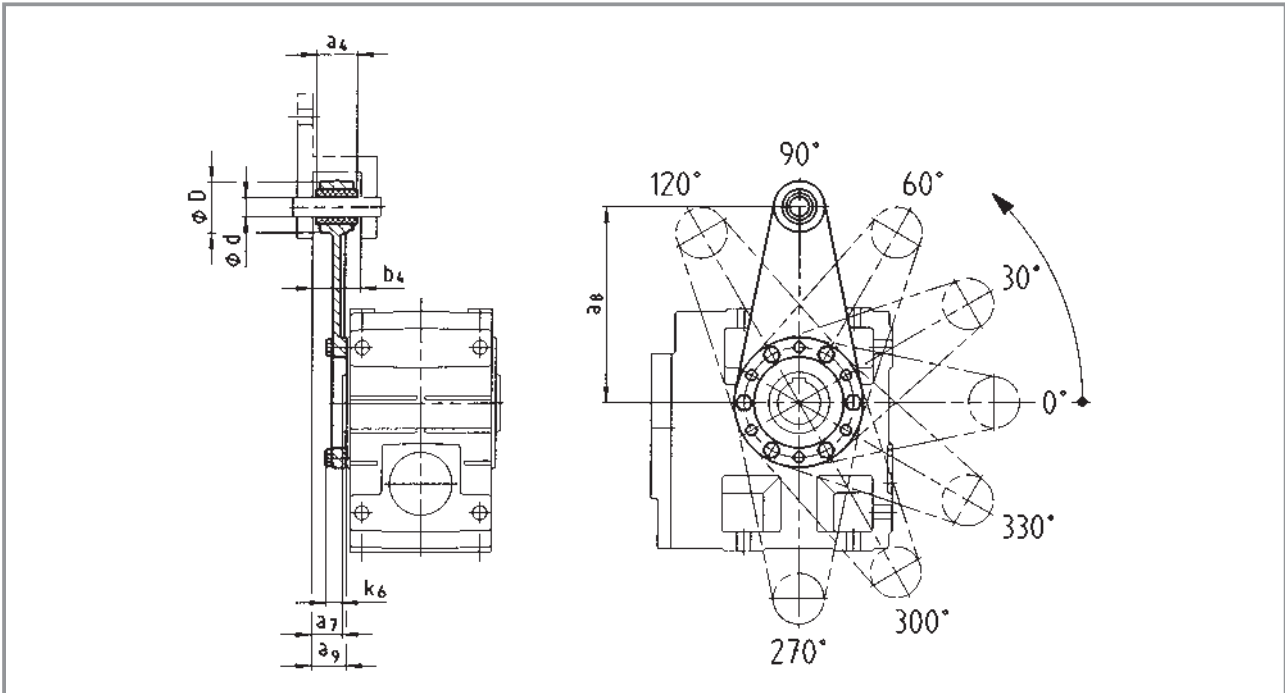
Hoseproof hollow shaft cover



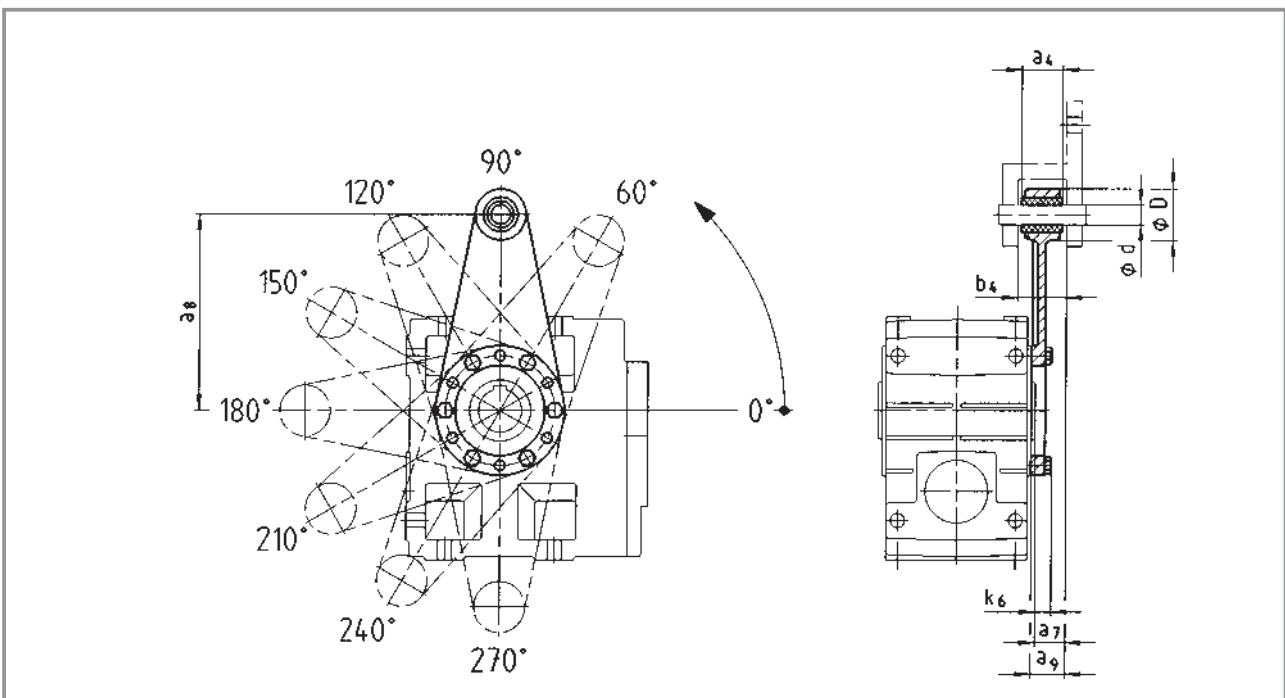
Gearbox size	Cover k_{11}
04	9
05	10
06	11
07	11

Dimensions in [mm]

Torque plate at pitch circle in position 3



Torque plate at pitch circle in position 5

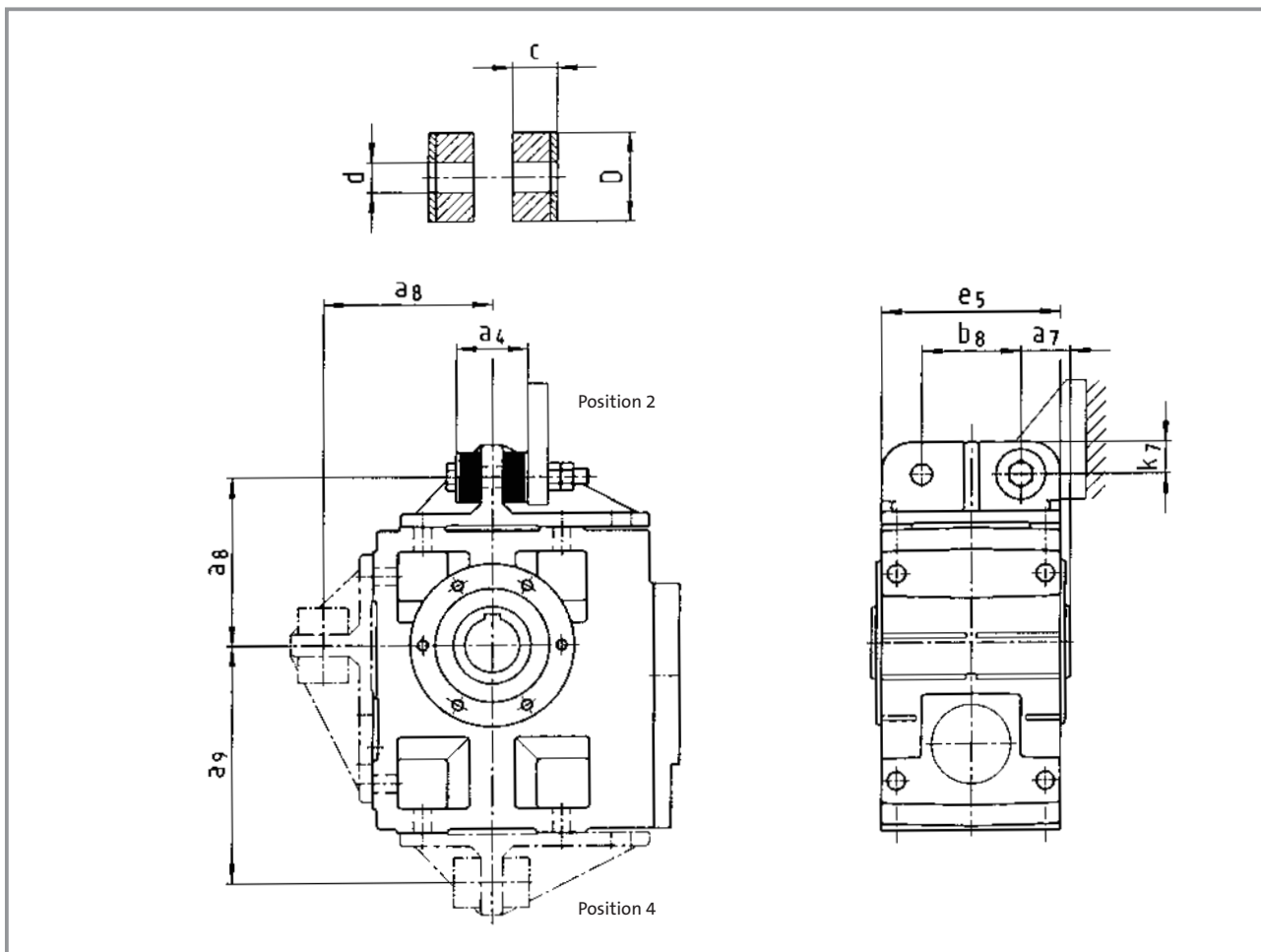


Gearbox size	Assembly space		Torque plate					
	a ₇	b ₄	a ₄	a ₈	a ₉	d	D	k ₆
04	24	34.5	30	130	26.5	12	35	16
05	23.5	38.5	34	160	27.5	16	45	15
06	28	44.5	40	200	33	20	50	18
07	32.5	50.5	46	250	37.5	25	65	21

Dimensions in [mm]



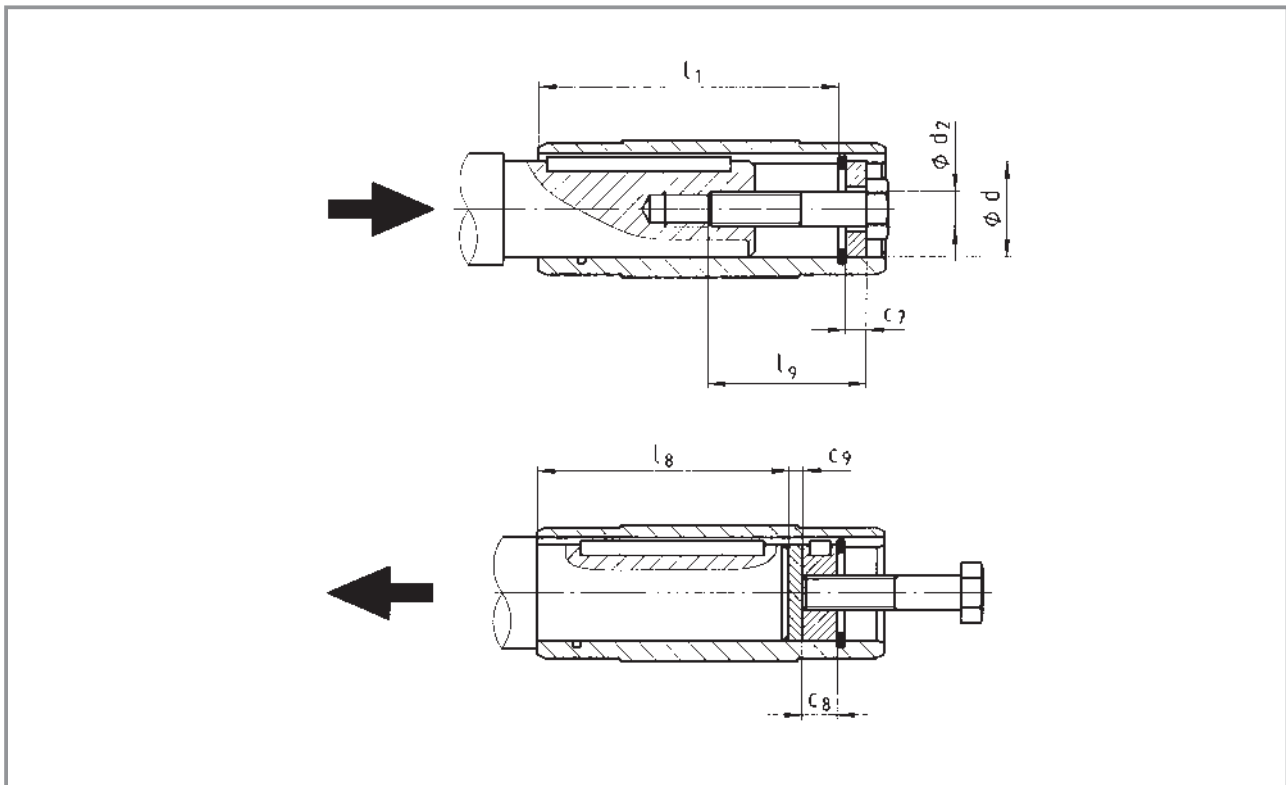
Torque plate on housing foot



Gearbox size	a ₄	a ₇	a ₈	a ₉	b ₈	c	d	D	e ₅	k ₇
04	41	27.5	106	135	60	14.5	11	30	100	20
05	45	35	115	160	70	15	13	40	127	25
06	72	40	145	195	80	27	17	50	145	28
07	78	50	170	240	100	28	21	60	180	35

Dimensions in [mm]

Mounting set for hollow shaft circlip/proposed design for auxiliary tools



Gearbox size	Hollow shaft (design H)			Mounting set for hollow shaft circlip (mounting auxiliary tool)			Dismounting auxiliary tool		Machine shaft max l_8
	l	l_1	d H7	d_2	l_9	c_7	c_8	c_9	
04	115	100	25 30	M10 M10	40	5 6	10	3	85
05	140	124	30 35	M10 M12	40 50	6 7	10 12	3	107
06	160	140	40 45	M16	60	8 9	16	4	118
07	200	175	50 55	M16 M20	60 80	10 11	16 20	5	148

Dimensions in [mm]





Technical data

Rated data	8-2
Synchronous servo motors	8-2
Asynchronous servo motors	8-2
Possible combinations with	
drive controllers	8-3
Torque characteristics	8-5
Synchronous servo motors	8-5
Asynchronous servo motors	8-7
Built-on accessories	8-17
Blower	8-17
Brake	8-18
Phase angle sensor and tacho	
generator	8-20
Resolver	8-20
SinCos encoder	8-21
Incremental encoder	8-21
Temperature sensor	8-22
Motor connection	8-24
Connector	8-24
Terminal box	8-26
Resolver as feedback	8-27
Incremental encoder	8-27
PG screwed connections	8-27
Connection plan	8-28
Global Drive system cables	8-29
Motor cables	8-30
Cables suitable for trailing	8-31
Blower cables	8-32
Resolver/Encoder cables	8-33

Dimensions

Built-on accessories for motors and	
Connectors for motor connection	8-34
Motor connection for terminal box	8-36
Angle socket box and connector	8-37

Synchronous servo motors (surface-ventilated)

Motor type	Torque at 3000 rpm M_{N3000} [Nm]	Speed n_r [rpm]	Torque M_r [Nm]	Power P_r [kW]	Voltage $U_{r3\sim}$ [V]	Current I_r [A]	M_0 [Nm]	I_0 [A]	Maximum torque ⁶⁾ M_{max} [Nm]	Maximum current I_{max} [A]	Frequency f_r [Hz]	Mass inertia $J_{mot}^{1)}$ [kgm ²]
naturally ventilated												
MDSKS□□ 056-23 190	2.9	3800	2.8	1.1	330	2.3	3.2	2.6	11.6	10	190	1.20E-04
MDSKS□□ 056-33 200	4.3	4000	4.2	1.8	325	3.6	4.7	4.0	17.2	16	200	1.80E-04
MDSKS□□ 071-03 170	5.9	3400	5.7	2.0	330	4.2	6.7	4.9	23.6	19	170	6.00E-04
MDSKS□□ 071-13 185	8.8	3700	8.3	3.2	325	7.0	10.0	8.4	35.2	32	185	8.00E-04
MDSKS□□ 071-33 180	12.7	3600	12.3	4.6	325	10.0	14.7	11.9	52.0	45	180	1.00E-03
forced ventilated												
MDFKS□□ 071-03 165	7.7	3300	7.5	2.6	330	5.6	8.8	6.6	23.6	19	165	6.00E-04
MDFKS□□ 071-13 180	11.7	3600	11.0	4.1	325	9.2	13.3	11.1	35.2	32	180	8.00E-04
MDFKS□□ 071-33 175	17.0	3500	16.2	5.9	325	13.1	19.3	15.6	52.0	45	175	1.00E-03

Asynchronous servo motors (surface-ventilated)

Motor type	n_r [rpm]	M_r [Nm]	$P_{r5)}$ [kW]	$U_{r3\sim}$ [V]	I_r [A]	M_0 [Nm]	I_0 [A]	$M_{max6)}$ [Nm]	n_{max} [rpm]	f_r [Hz]	$\cos\varphi_r$	$J_{mot}^{1)}$ [kgm ²]
naturally ventilated												
MDSKA□□ 056-22 140	3950	2.0	0.8	390	2.4	2.3	2.55	10	8000	140	0.70	2.40E-04
MDSKA□□ 071-22 140	4050	4.0	1.7	390	4.4	4.6	4.6	32	8000	140	0.76	8.30E-04
MDSKA□□ 080-22 70	2000	6.7	1.4	390	3.3	8.0	3.85	60	8000	70	0.75	1.92E-03
MDSKA□□ 080-22 140	4100	5.4	2.3	390	5.8	8.0	7.7	60	8000	140	0.75	1.92E-03
MDSKA□□ 090-22 80	2300	10.8	2.6	390	5.5	12.8	6.0	100	8000	80	0.81	3.60E-03
MDSKA□□ 090-22 140	4110	9.5	4.1	350	10.2	12.8	12.0	100	8000	140	0.80	3.60E-03
MDSKA□□ 100-22 80	2340	16.3	4.0	390	8.2	22.5	9.85	180	8000	80	0.80	7.20E-03
MDSKA□□ 100-22 140	4150	12.0	5.2	330	14.0	22.5	19.7	180	8000	140	0.78	7.20E-03
MDSKA□□ 112-22 85	2490	24.6	6.4	390	13.5	39	15.9	300	8000	85	0.83	1.80E-02
MDSKA□□ 112-22 140	4160	17.0	7.4	320	19.8	39	31.8	300	8000	140	0.80	1.80E-02
forced ventilated												
MDFKA□□ 071-22 120	3410	6.3	2.2	390	6.0	7.0	6.3	32	8000	120	0.75	8.30E-04
MDFKA□□ 080-22 60	1635	12.0	2.1	390	4.8	13.5	5.25	60	8000	60	0.81	1.92E-03
MDFKA□□ 080-22 120	3455	10.8	3.9	390	9.1	13.5	10.5	60	8000	120	0.80	1.92E-03
MDFKA□□ 090-22 60	1680	21.5	3.8	390	8.5	23.9	9.05	100	8000	60	0.80	3.60E-03
MDFKA□□ 090-22 120	3480	19.0	6.9	390	15.8	23.9	18.1	100	8000	120	0.80	3.60E-03
MDFKA□□ 100-22 60	1700	36.3	6.4	390	13.9	40.0	15.4	180	8000	60	0.83	7.20E-03
MDFKA□□ 100-22 120	3510	36.0	13.2	390	28.7	40.0	30.8	180	8000	120	0.80	7.20E-03
MDFKA□□ 112-22 60	1710	61.4	11.0	390	22.5	75	25.8	300	8000	60	0.85	1.80E-02
MDFKA□□ 112-22 120	3520	55.0	20.3	390	42.5	75	49.5	300	8000	120	0.80	1.80E-02

1) Without brake, with resolver

5) At U_r , $P = P_r$ up to $2.3 \cdot n_r$

6) Magnetically/mechanically permissible torque

Technical data - Servo motors

Possible combinations with drive controllers



Motor/drive assignment Servo motors – 9300 servo inverter range, 8 kHz chopper frequency

				Possible combinations and default setting $I_{max} = 1.5 I_n$ maximum torques in Nm										Possible combinations and operating mode acceleration controller maximum torques in Nm					
				Chopper frequency f_{chopp} $f_{chopp} = 8 \text{ KHz}$															
Drive type				9321	9322	9323	9324	9325	9326	9327	9328	9329	9330	9331	9332	9321	9322	9323	9324
Continuous current $I_{C,r}$ [A]				1.5	2.5	3.9	7.0	13	23.5	32	47	59	89	110	145	1.05	1.7	2.6	4.7
Maximum current $I_{C,max}$ [A]				2.3	3.8	5.9	10.5	19.5	35.25	48	70.5	88.5	133.5	165	217.5	3	5	7.8	14
Motor type [Nm]	$M_n \cdot 3000$ [A]	I_r [Nm]	M_r																
Synchronous servo motors naturally ventilated																			
MDSKS□□ 056-23 190	2.9	2.3	2.8	2.8	4.6	7.0										3.7	6.0	9.2	
MDSKS□□ 056-33 200	4.3	3.6	4.2		4.4	6.9	11.7										5.8	9.0	15.2
MDSKS□□ 071-03 170	5.9	4.2	5.7			8.0	13.8	23.6										10.6	17.8
MDSKS□□ 071-13 185	8.8	7	8.3			7.0	12.5	22.3	35.2									9.2	16.6
MDSKS□□ 071-33 180	13	10	12.3				12.9	24.0	41.4										17.2
forced ventilated																			
MDFKS□□ 071-03 165	7.7	5.6	7.5			8.0	13.8	23.5										10.6	17.8
MDFKS□□ 071-13 180	11.7	9.2	11.0				12.5	21.8	35.2										16.6
MDFKS□□ 071-33 175	17	13.1	16.2				12.9	24.0	41.4										17.2

Motor/drive assignment Servo motors – 9300 servo inverter range, 8 kHz chopper frequency

				Possible combinations and maximum torques in Nm															
				Chopper frequency $f_{chopp} = 8 \text{ KHz}$															
Drive type				9321	9322	9323	9324	9325	9326	9327	9328	9329	9330	9331	9332				
Continuous current $I_{C,r}$ [A]				1.5	2.5	3.9	7.0	13	23.5	32	47	59	89	110	145				
Maximum current $I_{C,max}$ [A]				2.3	3.8	5.9	10.5	19.5	35.3	48	70.5	88.5	133.5	165	217.5				
Motor type	M_r [Nm]	P_r [kW]	I_r [A]	f_r [Hz]															
Asynchronous servo motors totally enclosed fan-cooled naturally ventilated																			
MDSKA□□ 056-22 140	2.0	0.8	2.4	140		4.45	7.3												
MDSKA□□ 071-22 140	4.0	1.7	4.4	140				12.6	19.5										
MDSKA□□ 080-22 70	6.7	1.4	3.3	70			15.1	29.3											
MDSKA□□ 080-22 140	5.4	2.3	5.8	140				13.2	26.0										
MDSKA□□ 090-22 80	10.8	2.6	5.5	80				24.4	46.2										
MDSKA□□ 090-22 140	9.5	4.1	10.2	140				23.4	43.7	59.4									
MDSKA□□ 100-22 80	16.3	4.0	8.2	80				47.2	88.2										
MDSKA□□ 100-22 140	12.0	5.2	14.0	140				20.7	43.3	60.7									
MDSKA□□ 112-22 85	24.6	6.4	13.5	85				46.2	78.0	92.4									
MDSKA□□ 112-22 140	17.0	7.4	19.8	140					43.9	63.3	96.8	123.0							
forced ventilated																			
MDFKA□□ 071-22 120	6.3	2.2	6.0	120				13.0	25.0										
MDFKA□□ 080-22 60	12.0	2.1	4.8	60				29.6											
MDFKA□□ 080-22 120	10.8	3.9	9.1	120					29.3	53.8									
MDFKA□□ 090-22 60	21.5	3.8	8.5	60					57.2										
MDFKA□□ 090-22 120	19.0	6.9	15.8	120					50.7	69.2	100.2								
MDFKA□□ 100-22 60	36.3	6.4	13.9	60					50.1	95.9	130.8								
MDFKA□□ 100-22 120	36.0	13.2	28.7	120					45.7	67.6	104.3	132.9	180.0						
MDFKA□□ 112-22 60	61.4	11.0	22.5	60					104.1	143.3	211.0	257.0							
MDFKA□□ 112-22 120	55.0	20.3	42.5	120							107.7	135.9	205.0	250.0					

Technical data - Servo motors

Possible combinations with drive controllers

Motor/drive assignment Servo motors – 9300 servo inverter range, 16 kHz chopper frequency (low noise)

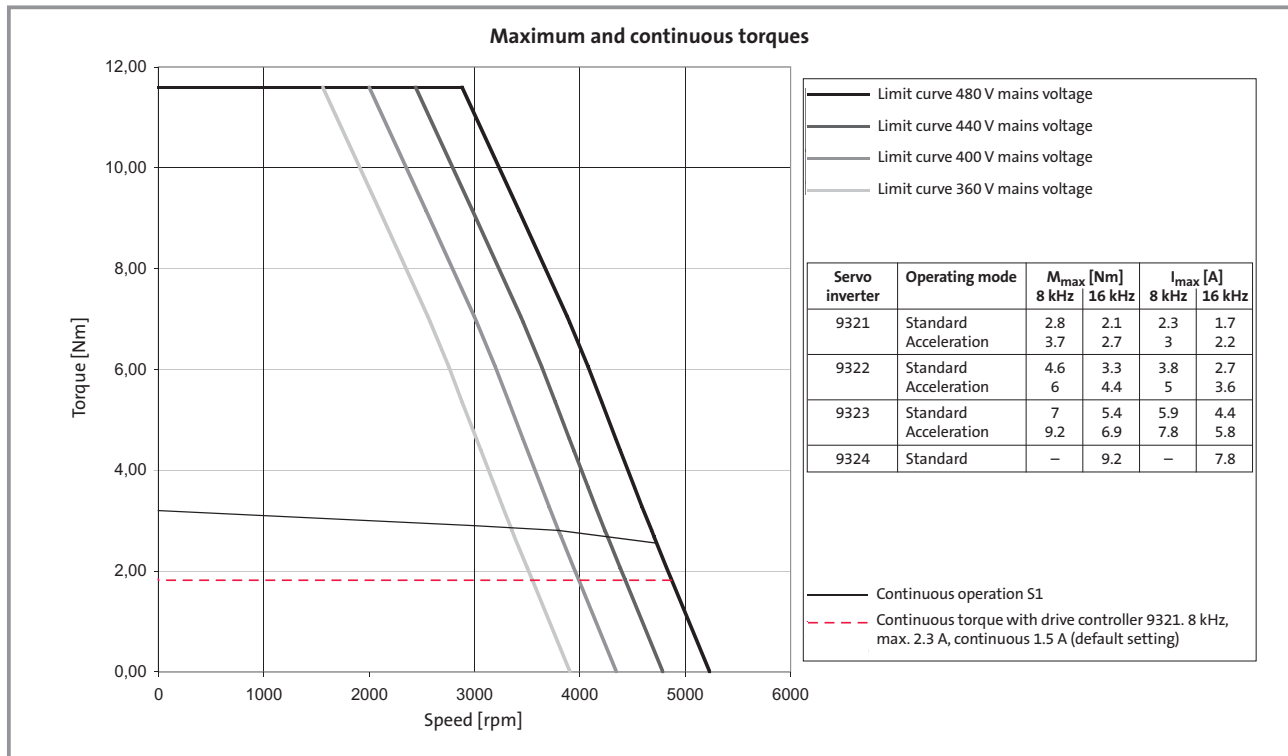
Drive type	Possible combinations and default setting $I_{max} = 1.5 I_n$ maximum torques in Nm								Possible combinations and operating mode acceleration controller maximum torques in Nm			
	chopper frequency f_{chopp} $f_{chopp} = 16 \text{ KHz}$								chopper frequency $f_{chopp} = 16 \text{ KHz}$			
Continuous current $I_{C,r}$ [A]	9321	9322	9323	9324	9325	9326	9327	9321	9322	9323	9324	
Maximum current $I_{C,max}$ [A]	1.1	1.8	2.9	5.2	9.7	15.3	20.8	0.77	1.26	2.03	3.64	
Motor type	I_r [A]	M_r [Nm]										
Synchronous servo motors naturally ventilated												
MDSKS□□ 056-23 190	2.3	2.8	2.1	3.3	5.4	9.2			2.7	4.4	6.9	
MDSKS□□ 056-33 200	3.6	4.2			5.1	9.0	15.8				11.6	
MDSKS□□ 071-03 170	4.2	5.7			6.0	10.6	18.5			7.9	13.7	
MDSKS□□ 071-13 185	7	8.3				9.2	17.2	25.9	34.4		12.3	
MDSKS□□ 071-33 180	10	12.3					18.0	27.9	36.9			
forced ventilated												
MDFKS□□ 071-03 165	5.6	7.5				10.6	18.5				13.7	
MDFKS□□ 071-13 180	9.2	11.0				9.2	17.2	25.9	34.4		12.3	
MDFKS□□ 071-33 175	13.1	16.2					18.0	27.9	36.9			

Motor/drive assignment Servo motors – 9300 servo inverter range, 16 kHz chopper frequency (low noise)

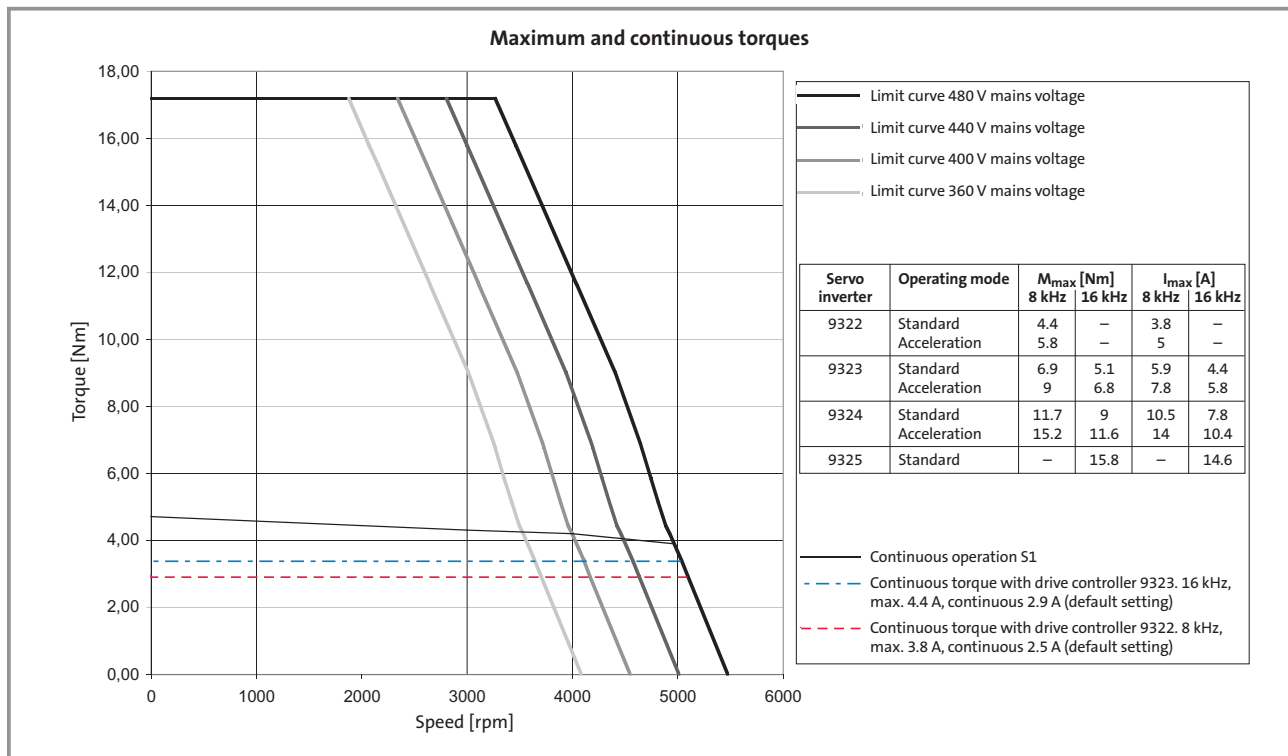
Drive type	Possible combinations and maximum torques in Nm														
	Chopper frequency $f_{chopp} = 16 \text{ KHz}$														
Continuous current $I_{C,r}$ [A]	9321	9322	9323	9324	9325	9326	9327	9328	9329	9330	9331	9332			
Maximum current $I_{C,max}$ [A]	1.1	1.8	2.9	5.2	9.7	15.3	20.8	30.6	38	58	70	90			
Motor type	M_r [Nm]	P_r [kW]	I_r [A]	f_r [Hz]											
Asynchronous servo motors totally enclosed fan-cooled naturally ventilated															
MDSKA□□ 056-22 140	2.0	0.8	2.4	140			5.3								
MDSKA□□ 071-22 140	4.0	1.7	4.4	140			9.2	17.3							
MDSKA□□ 080-22 70	6.7	1.4	3.3	70			21.2								
MDSKA□□ 080-22 140	5.4	2.3	5.8	140			9.1	19.1	30.8						
MDSKA□□ 090-22 80	10.8	2.6	5.5	80			17.5	34.5	50.0						
MDSKA□□ 090-22 140	9.5	4.1	10.2	140				16.9	28.0	38.6	56.9				
MDSKA□□ 100-22 80	16.3	4.0	8.2	80				33.8	56.7	78.1					
MDSKA□□ 100-22 140	12.0	5.2	14.0	140					25.8	37.6	57.9				
MDSKA□□ 112-22 85	24.6	6.4	13.5	85					55.8	71.4	90.3	97.5			
MDSKA□□ 112-22 140	17.0	7.4	19.8	140						37.5	60.1	76.8	120.8		
forced ventilated															
MDFKA□□ 071-22 120	6.3	2.2	6.0	120				19.0	26.3						
MDFKA□□ 080-22 60	12.0	2.1	4.8	60			21.5								
MDFKA□□ 080-22 120	10.8	3.9	9.1	120				21.2	34.9	47.7					
MDFKA□□ 090-22 60	21.5	3.8	8.5	60				42.0	67.9						
MDFKA□□ 090-22 120	19.0	6.9	15.8	120						44.6	66.1	81.7			
MDFKA□□ 100-22 60	36.3	6.4	13.9	60					60.5	84.3	125.2	150.7			
MDFKA□□ 100-22 120	36.0	13.2	28.7	120							64.0	75.4	130.5	158.3	
MDFKA□□ 112-22 60	61.4	11.0	22.5	60						91.2	136.9	170.4	254.0		
MDFKA□□ 112-22 120	55.0	20.3	42.5	120									133.6	161.1	206.0



MDSKS□□ 056-23 190 (naturally ventilated)



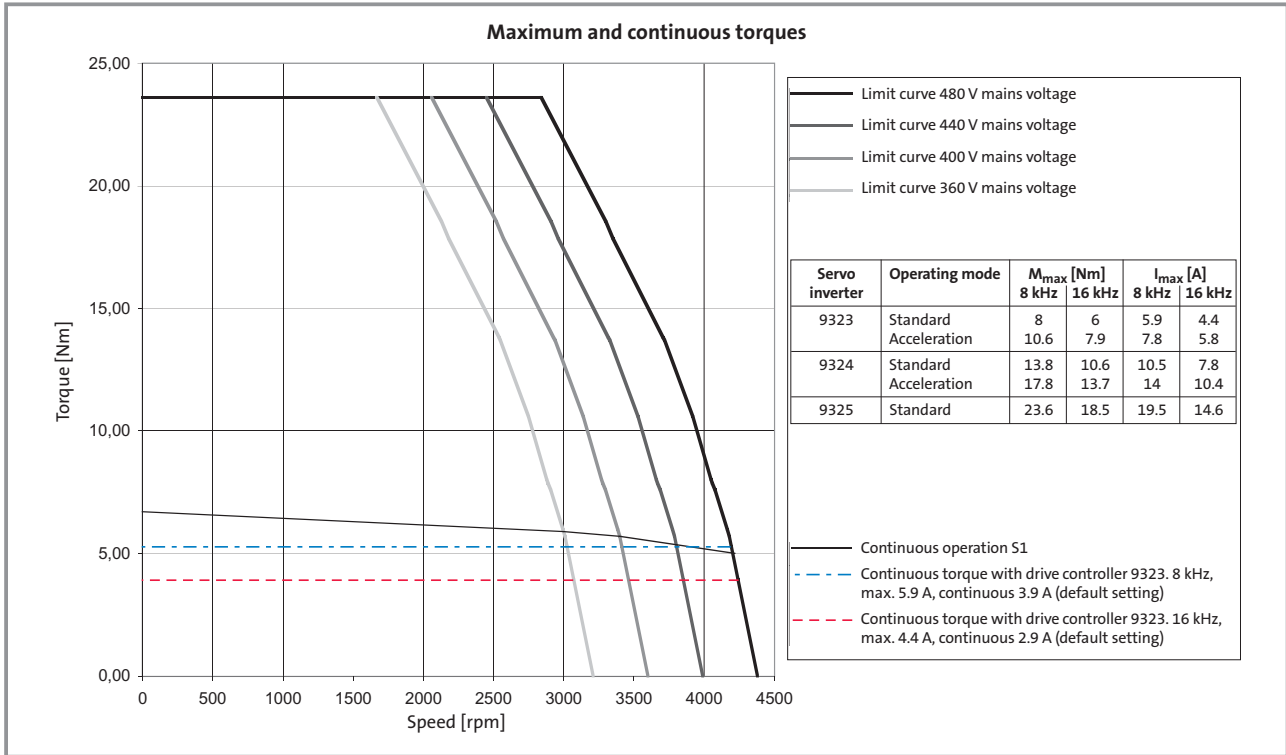
MDSKS□□ 056-33 200 (naturally ventilated)



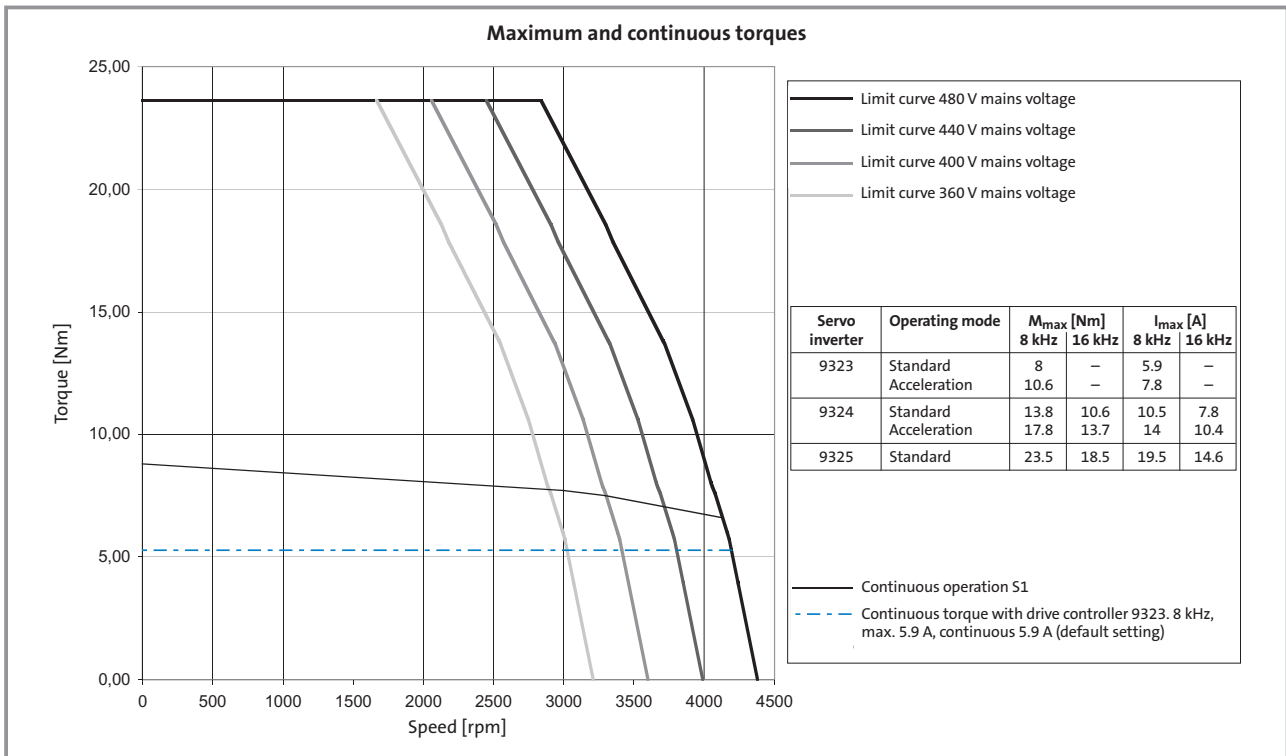
Technical data - Servo motors

Torque characteristics/Synchronous servo motors

MDSKS□□ 071-03 170 (naturally ventilated)

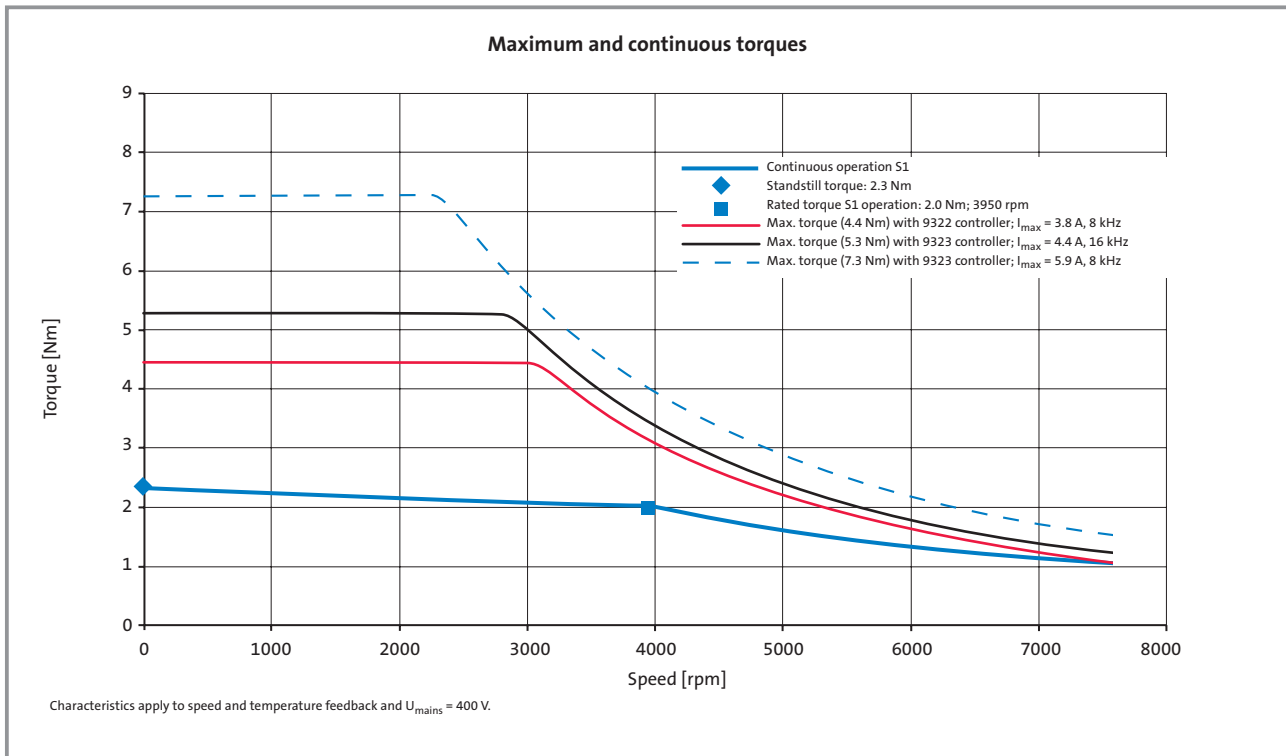


MDFKS□□ 071-03 165 (naturally ventilated)

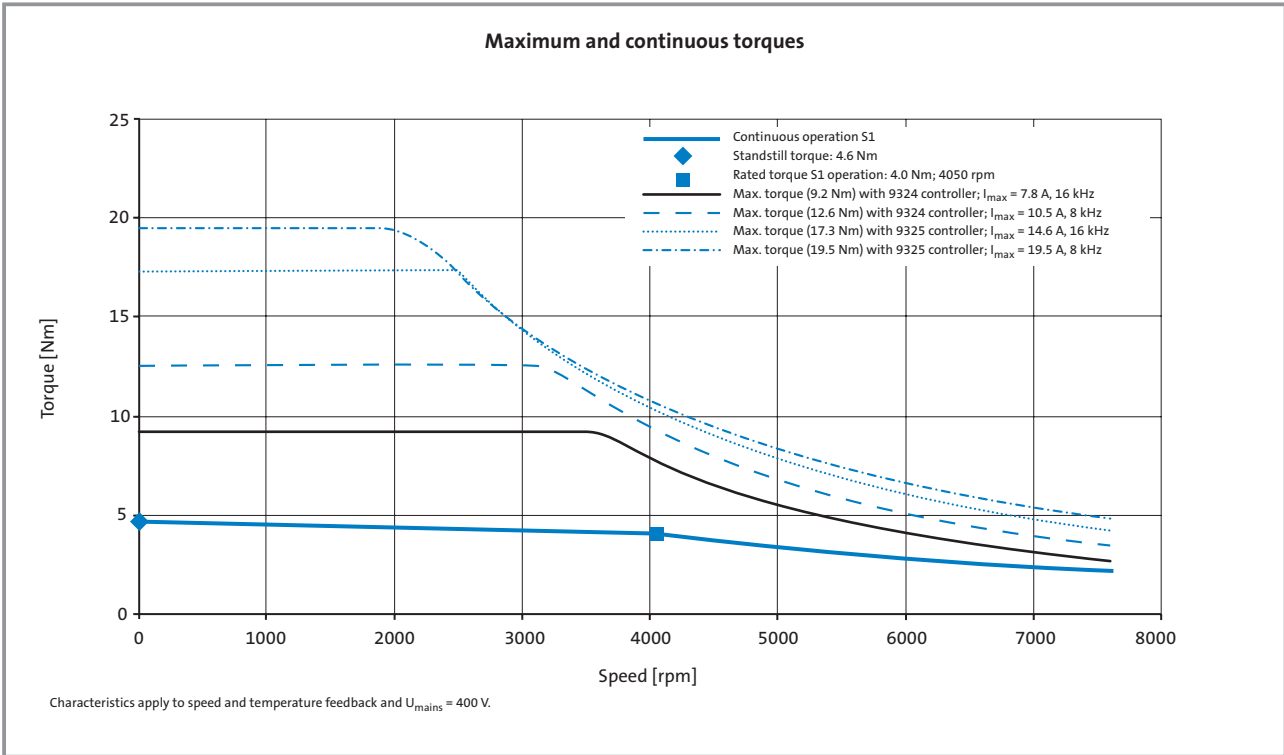




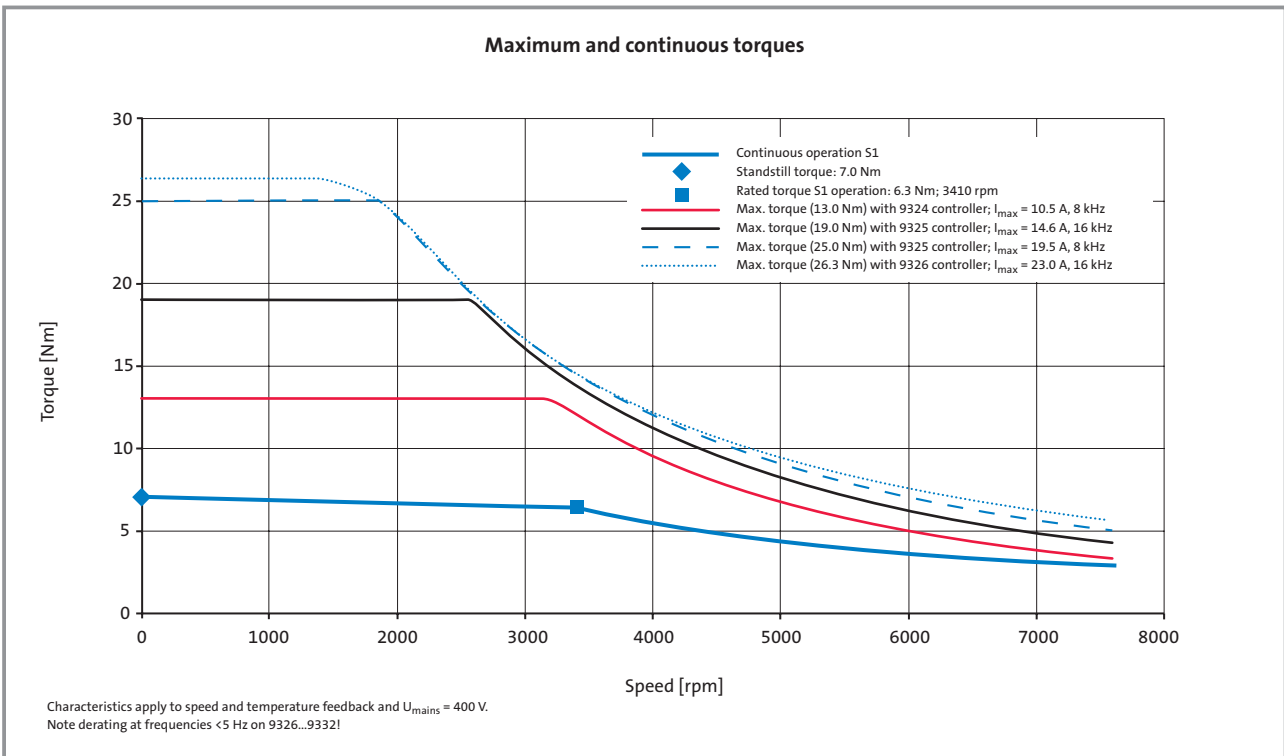
MDSKA□□ 056-22 140 (naturally ventilated)



MDSKA□□ 071-22 140 (naturally ventilated)



MDFKA□□ 071-22 120 (forced ventilated)

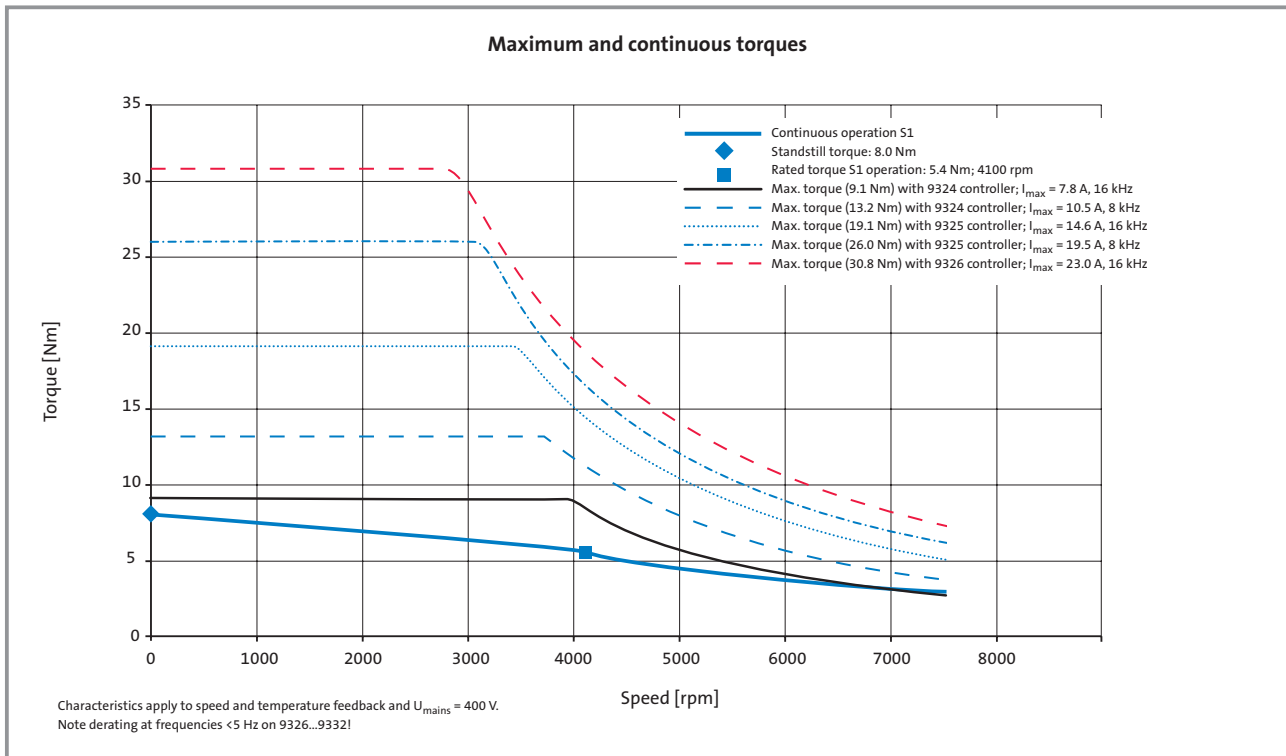


Technical data - Servo motors

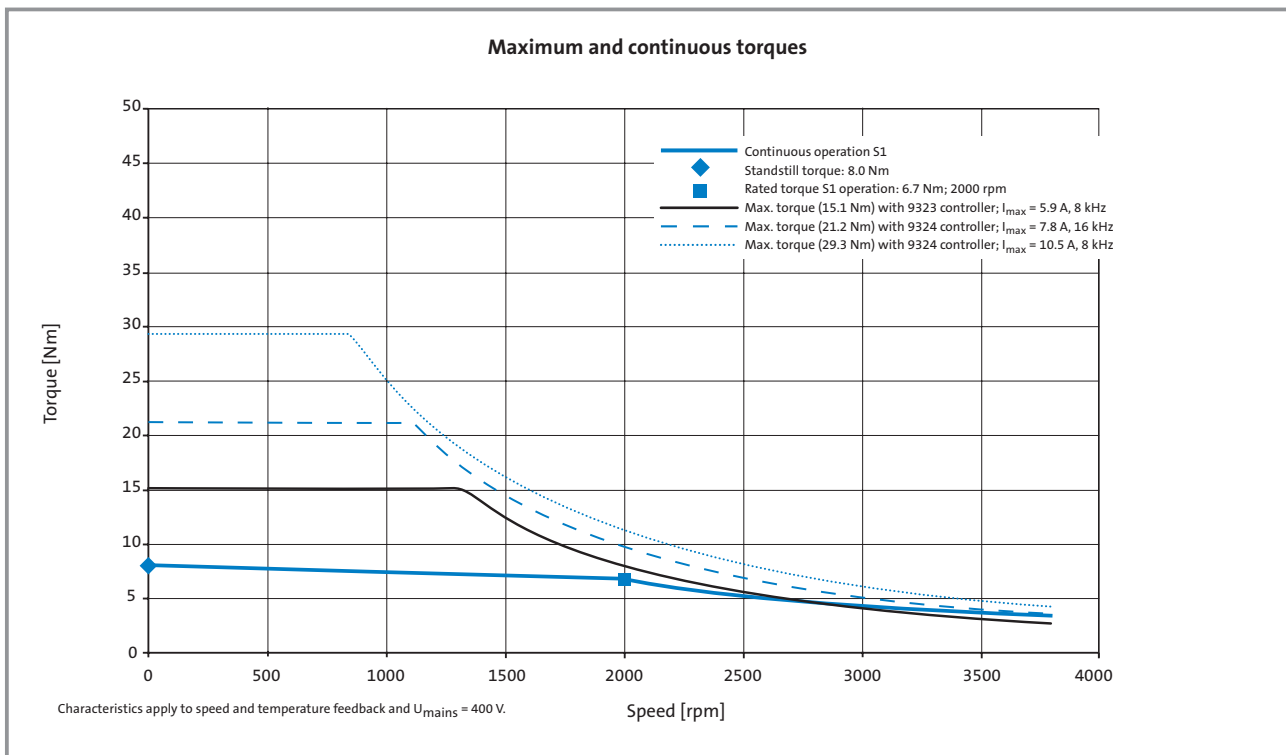
Torque characteristics/Asynchronous servo motors



MDSKA□□ 080-22 140 (naturally ventilated)



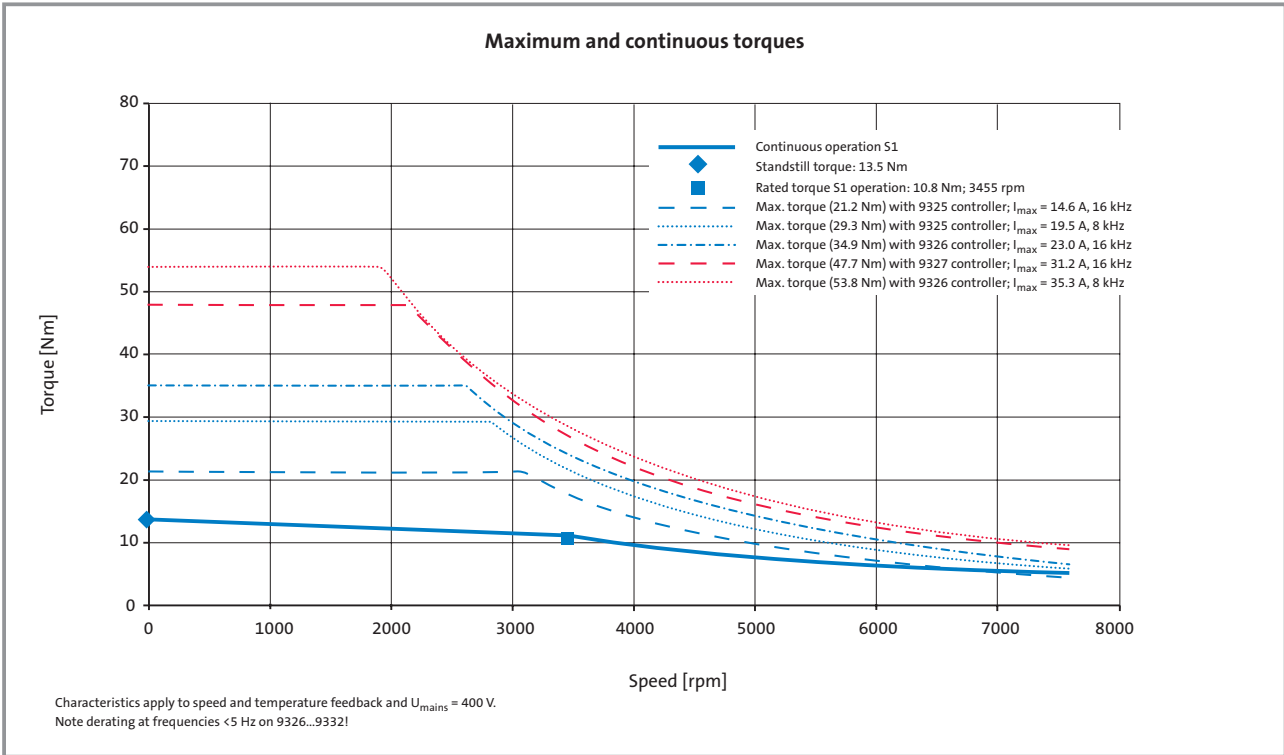
MDSKA□□ 080-22 70 (naturally ventilated)



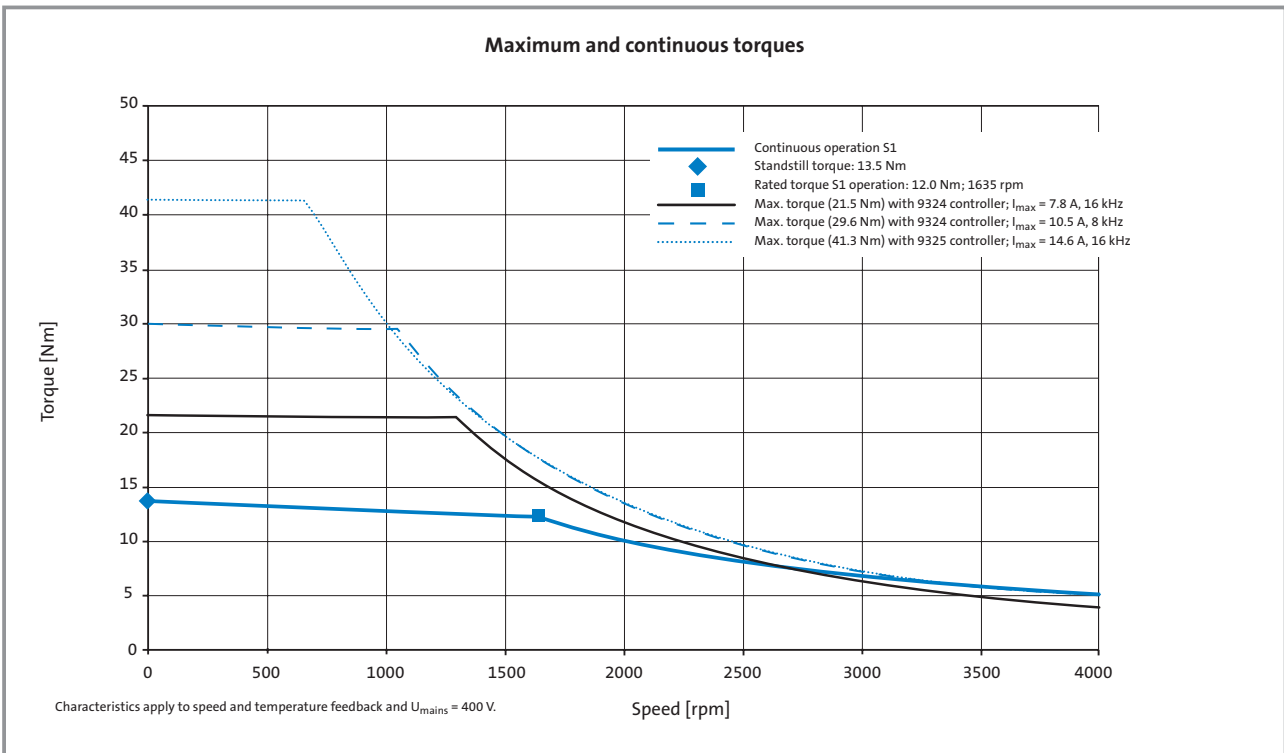
Technical data - Servo motors

Torque characteristics/Asynchronous servo motors

MDFKA□□ 080-22 120 (forced ventilated)



MDFKA□□ 080-22 60 (forced ventilated)

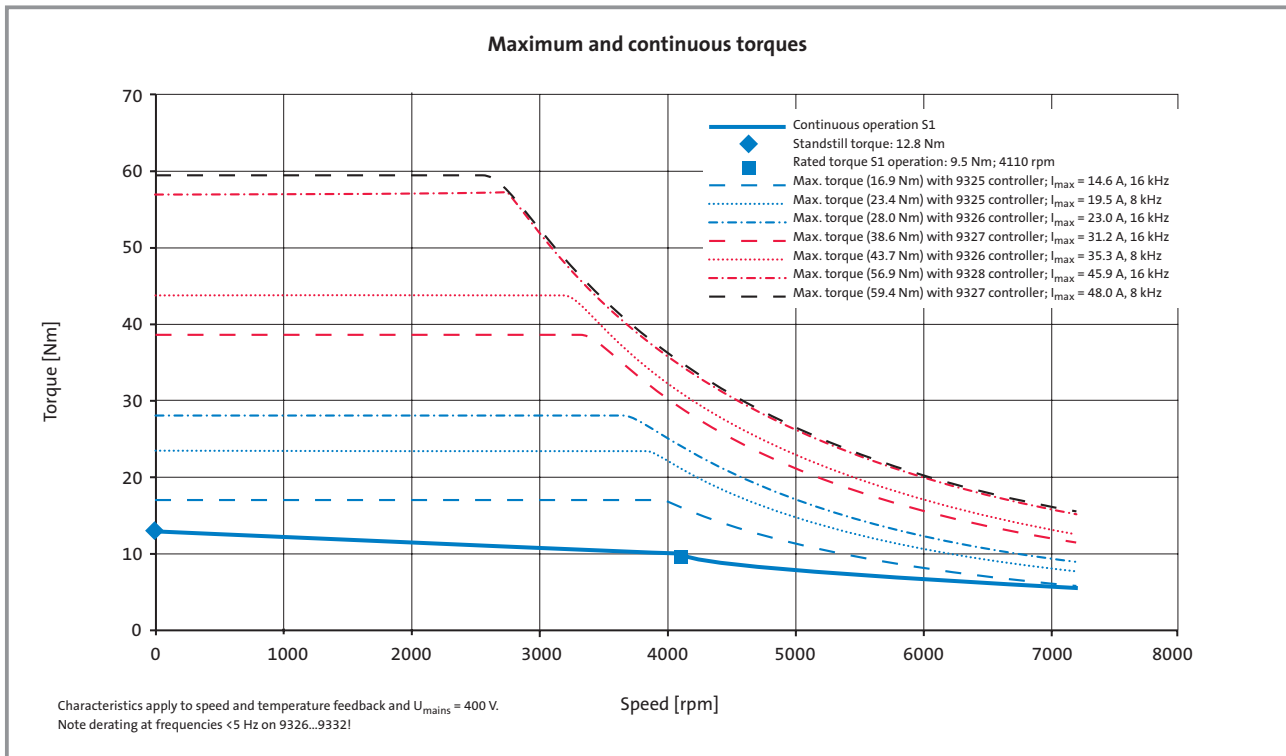


Technical data - Servo motors

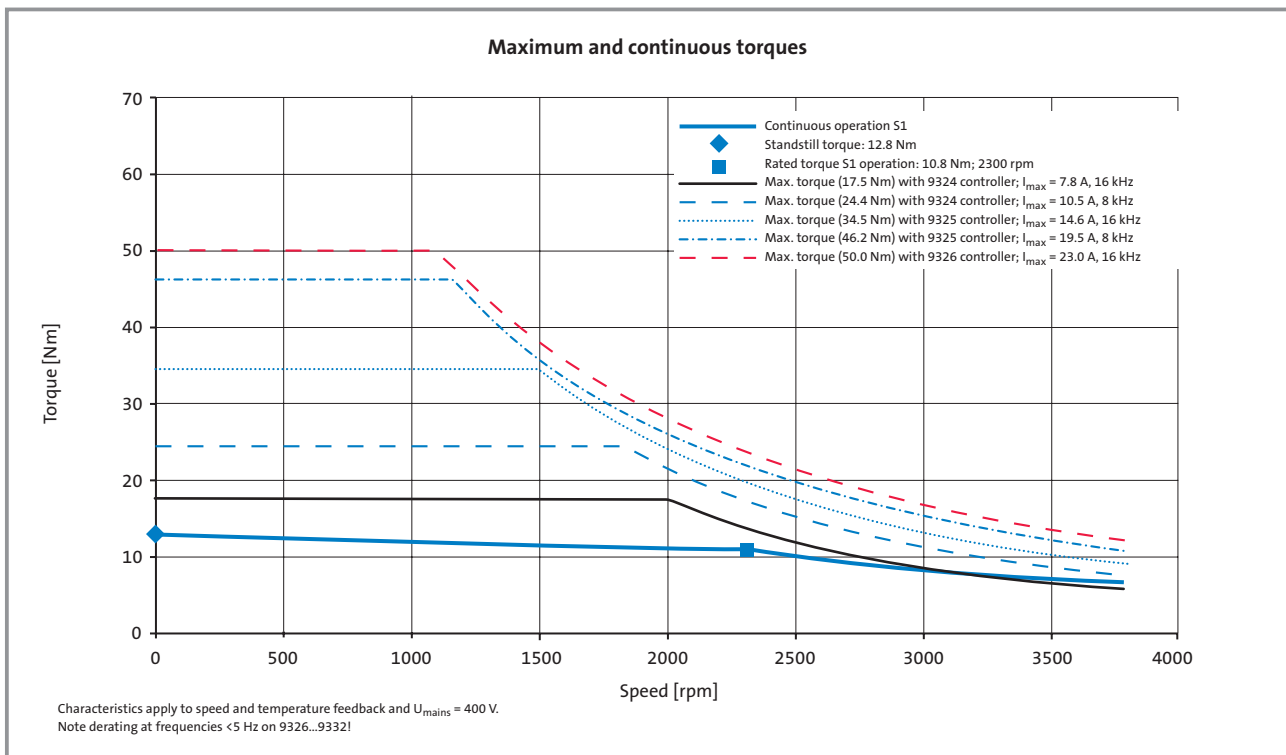
Torque characteristics/Asynchronous servo motors



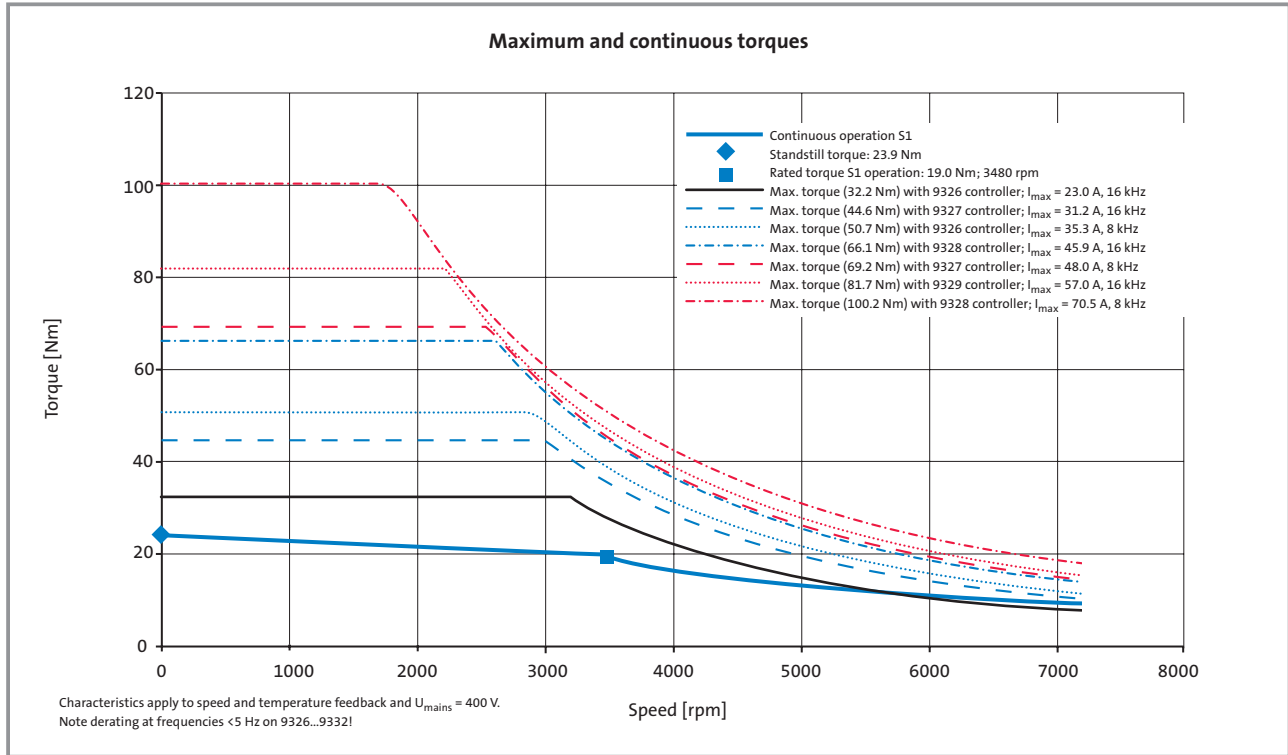
MDSKA□□ 090-22 140 (naturally ventilated)



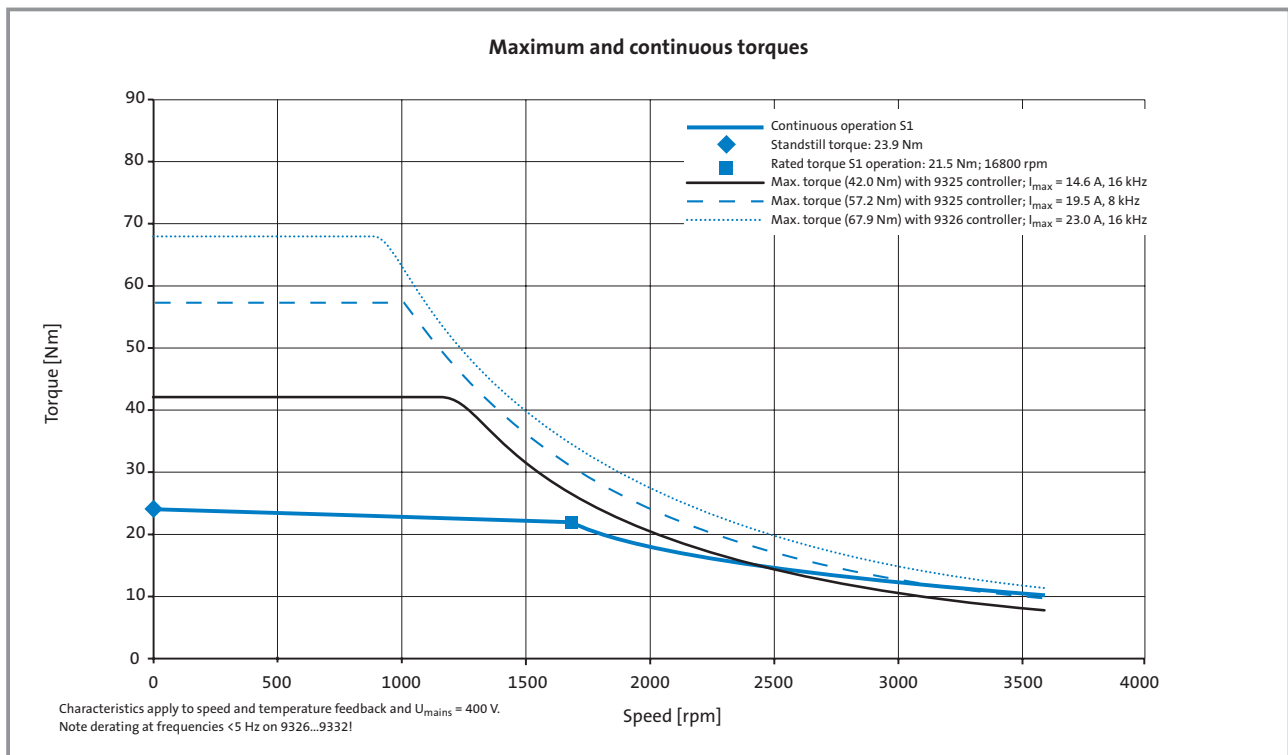
MDSKA□□ 090-22 80 (naturally ventilated)



MDFKA□□ 090-22 120 (forced ventilated)

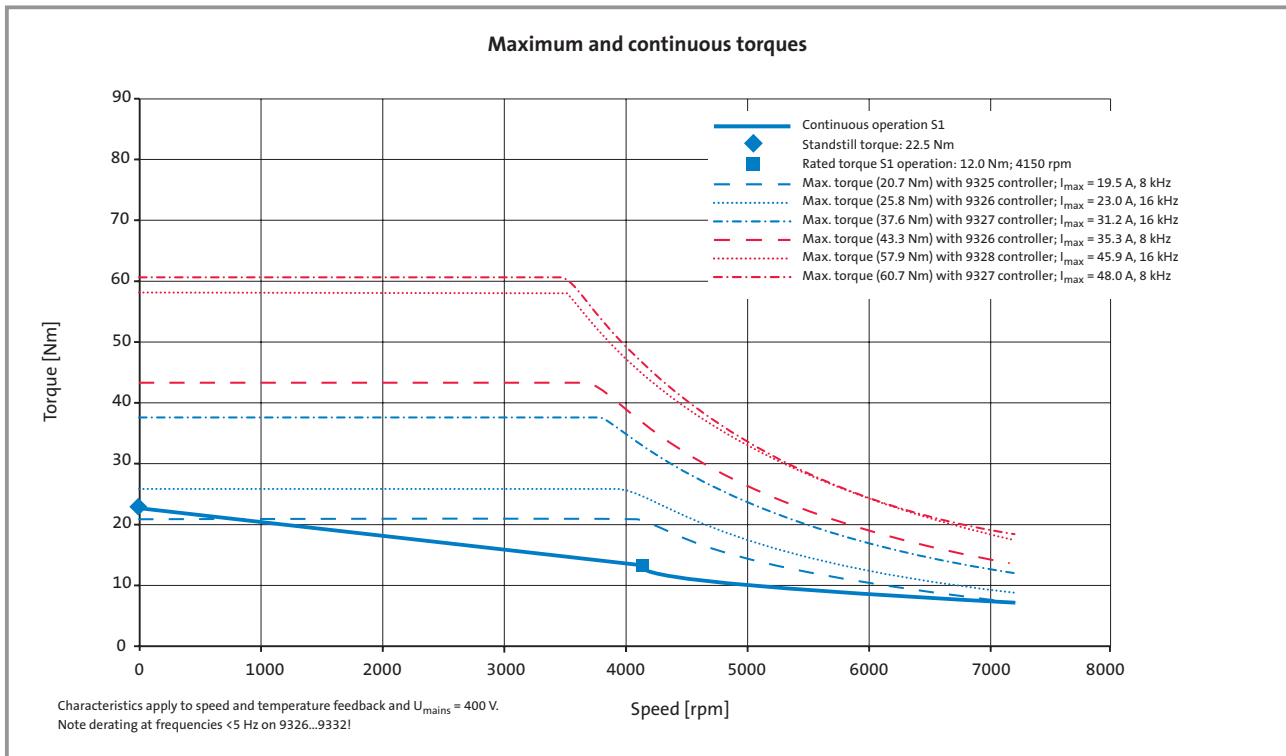


MDFKA□□ 090-22 60 (forced ventilated)

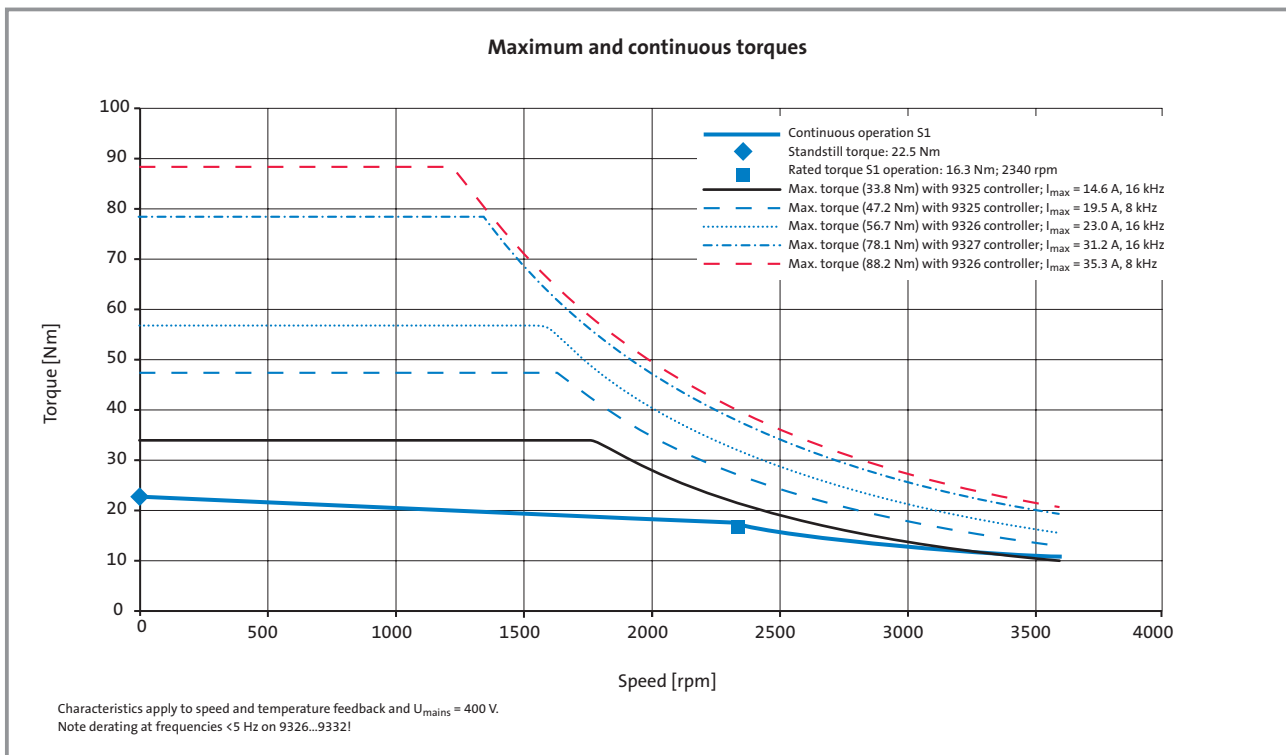




MDSKA□□ 100-22 140 (naturally ventilated)



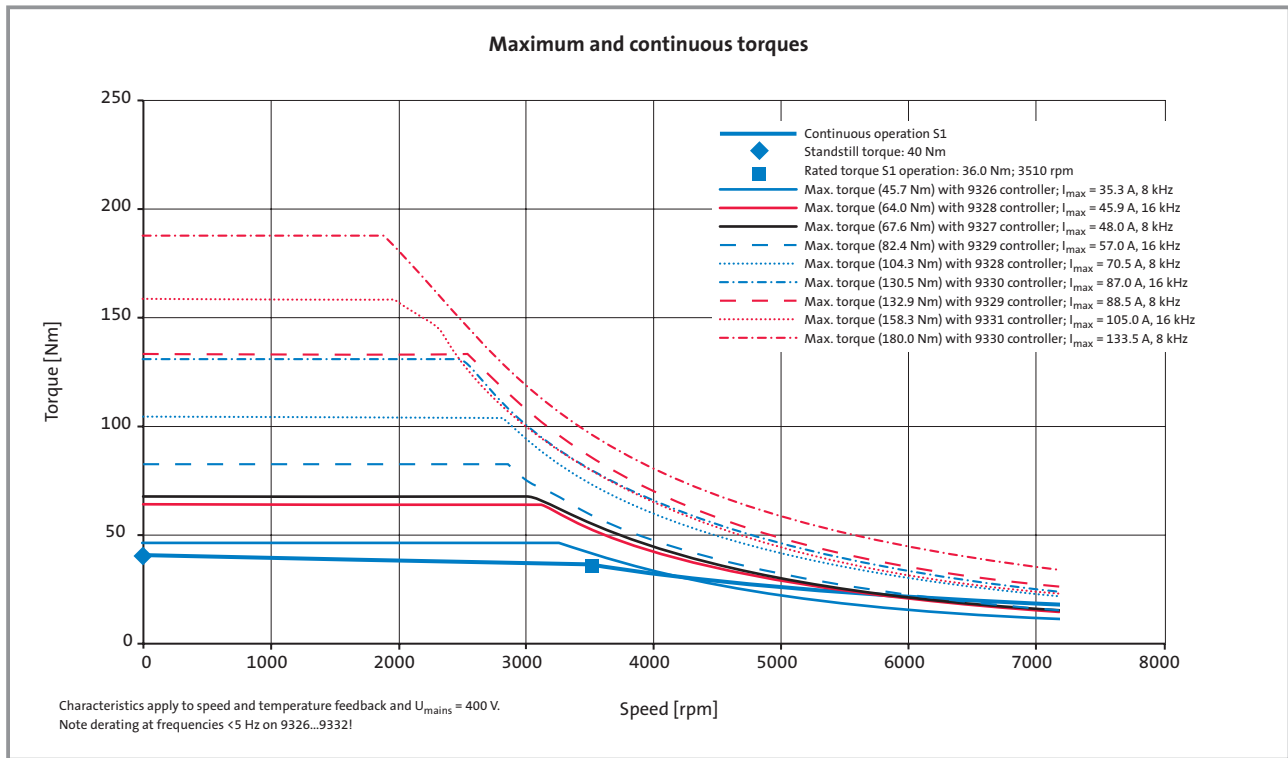
MDSKA□□ 100-22 80 (naturally ventilated)



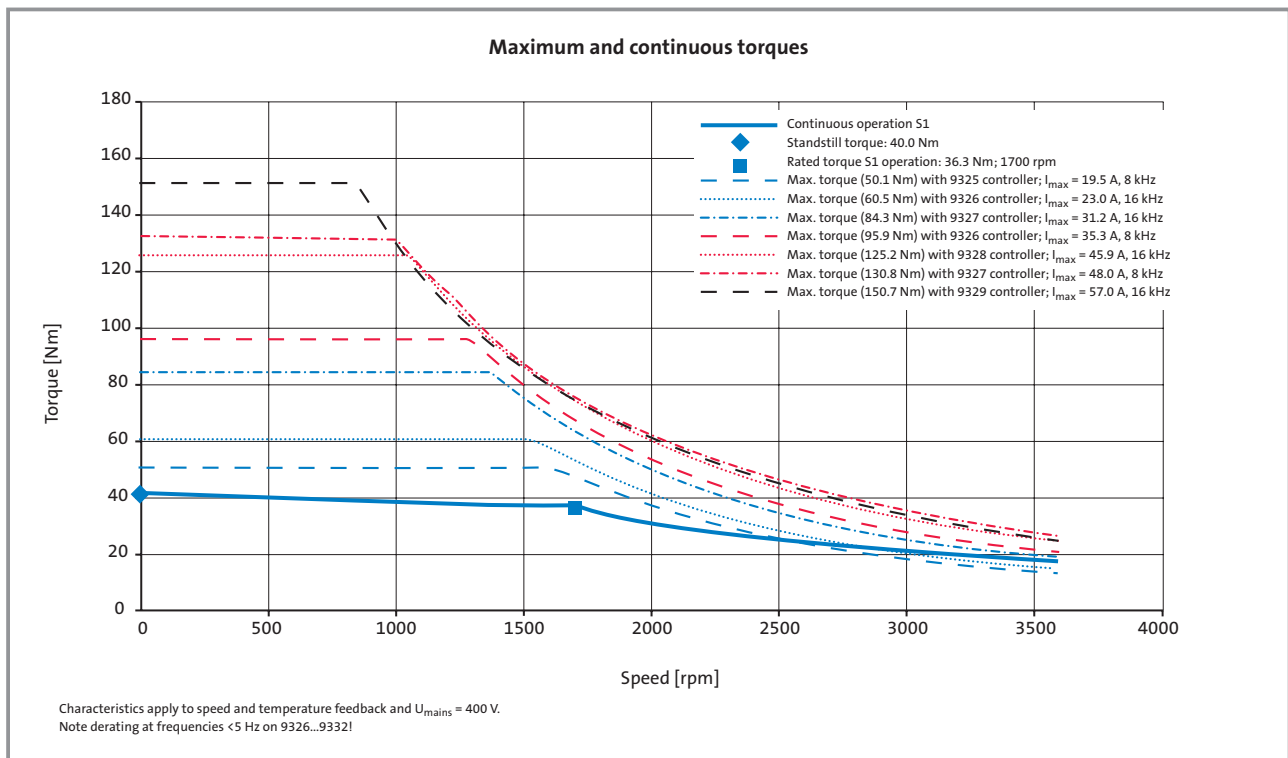
Technical data - Servo motors

Torque characteristics/Asynchronous servo motors

MDFKA□□ 100-22 120 (forced ventilated)



MDFKA□□ 100-22 60 (forced ventilated)

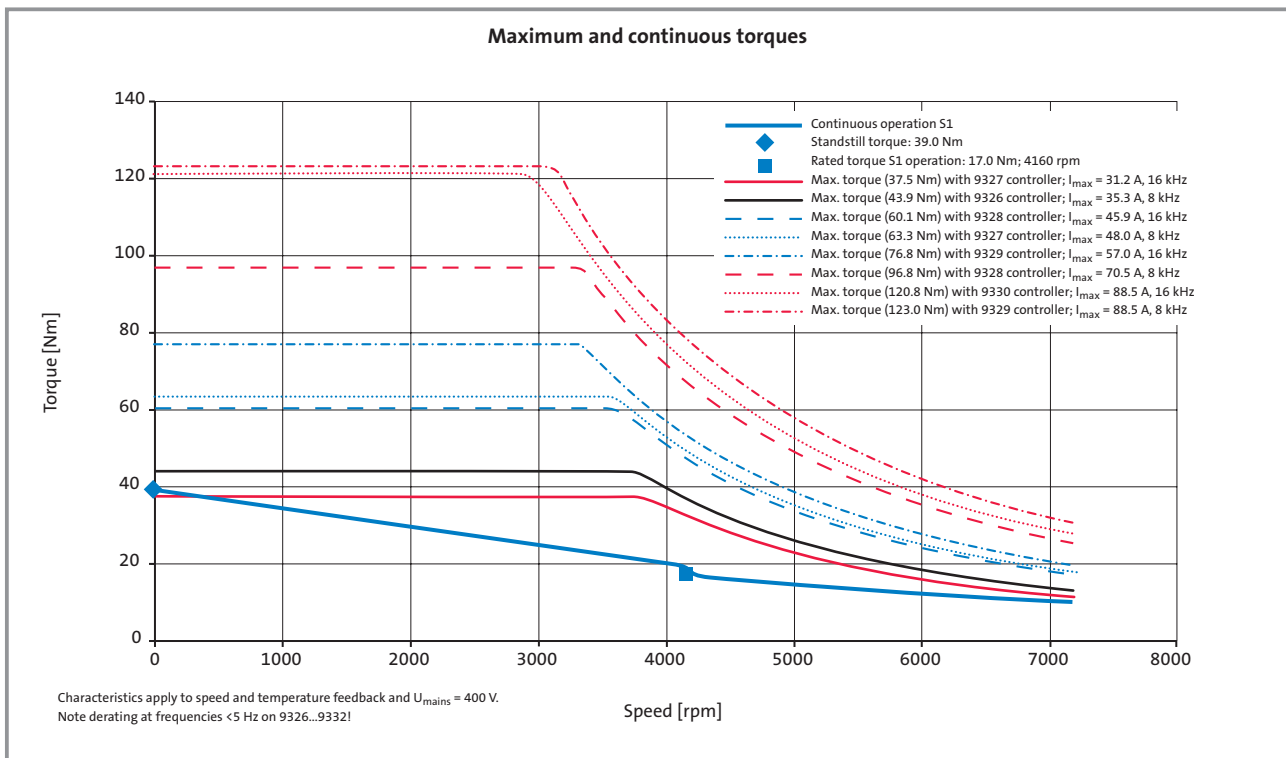


Technical data - Servo motors

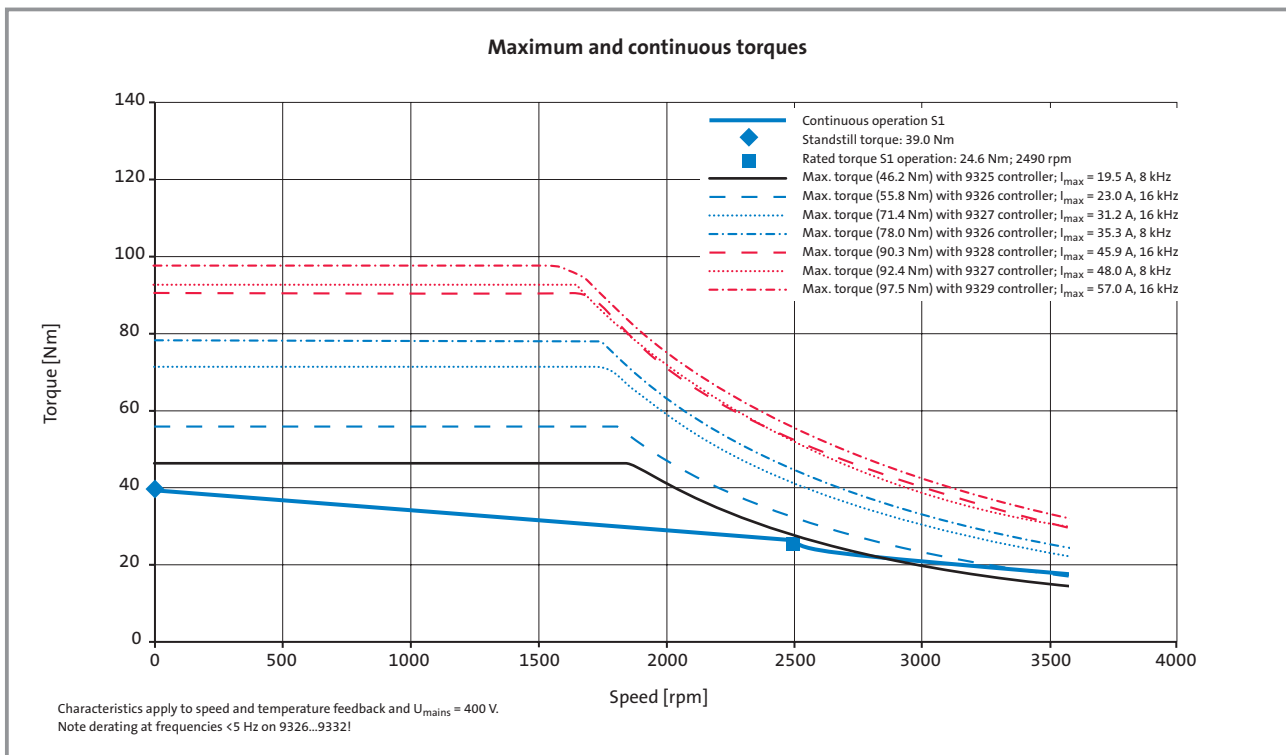
Torque characteristics/Asynchronous servo motors



MDSKA□□ 112-22 140 (naturally ventilated)



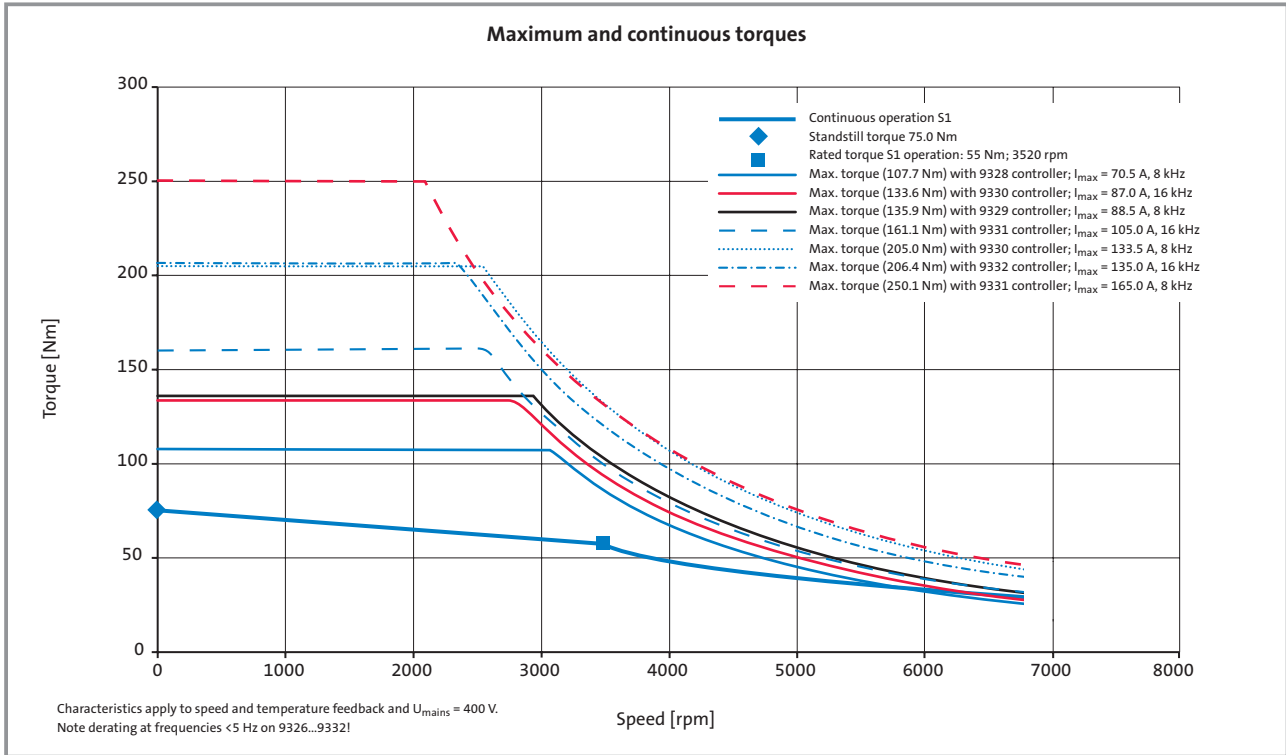
MDSKA□□ 112-22 85 (naturally ventilated)



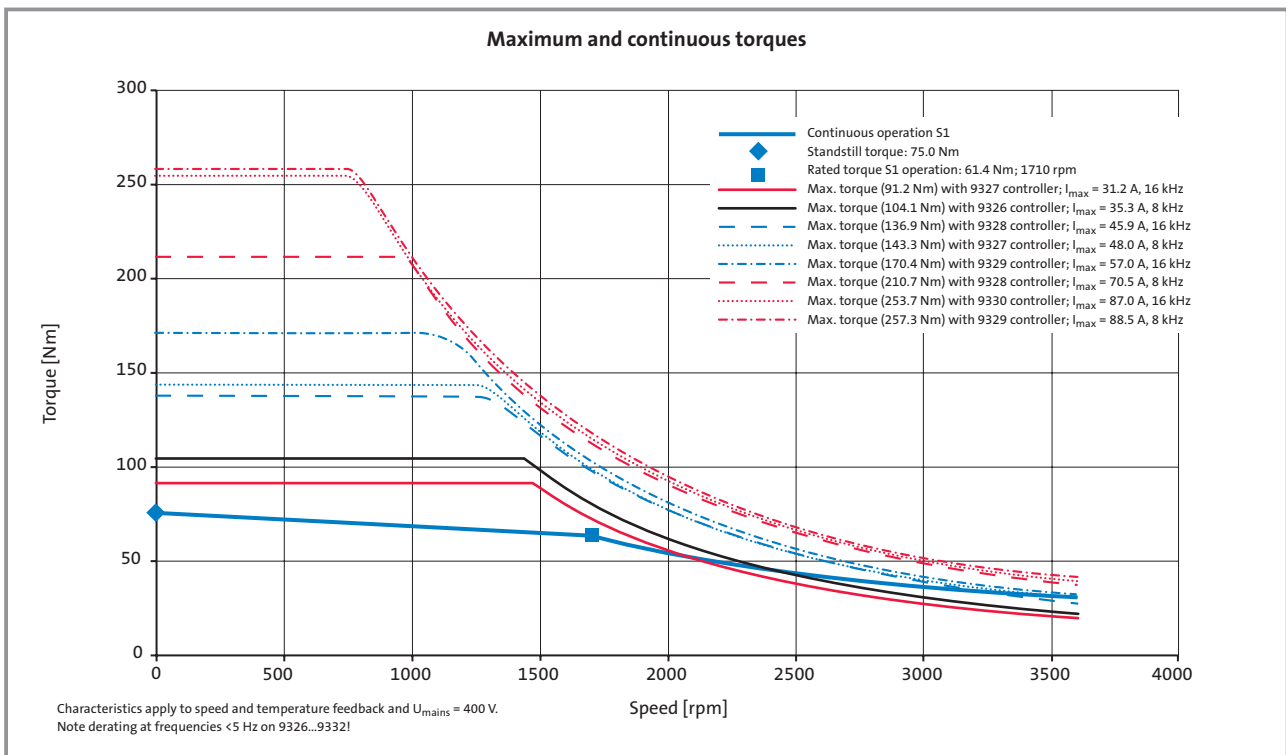
Technical data - Servo motors

Torque characteristics/Asynchronous servo motors

MDFKA□□ 112-22 120 (forced ventilated)



MDFKA□□ 112-22 60 (forced ventilated)





Blower (forced ventilated)

Motor type	U_r [V]	f_r [Hz]	I_r [A]	P_r [W]
MD□FK 071	210...240.1~	50/60	0.12	19
MD□FK 080	210...240.1~	50/60	0.12	19
MD□FK 090	210...240.1~	50/60	0.32	46
MD□FK 100	210...240.1~	50/60	0.32	46
MD□FK 112	210...240.1~	50/60	0.26	60

Brake

MD□K□ servo motors can be fitted with integrated permanent magnet holding brakes for 24 V/205 V DC voltage. The brakes are active when the supply voltage is switched off (closed-circuit principle).

If the brakes are used purely as holding brakes, there will be virtually no evidence of wear on the friction surfaces. As long as the permissible switching energy is not exceeded, at least 150 emergency stop functions will be possible.

Caution

The brakes used are not fail-safe brakes in the true sense because torque loss will occur in the unlikely event of disruption, e.g. an oil leak due to the failure of the drive-end shaft seal.

Motor type	M_B [Nm]	$U_r 24^{2)}$ [V]	$I 24^{1)}$ [A]	$U_r 205^{2) 3)}$ [V]	$I 205^{1)}$ [A]
MDSK□B□ 056	5	24 (+5%, -10%)	0.67	205 (+5%, -10%)	0.08
MD□K□B□ 071	12	24 (+5%, -10%)	0.75	205 (+5%, -10%)	0.09
MD□KAB□ 080	20	24 (+5%, -10%)	0.92	205 (+5%, -10%)	0.12
MD□KAB□ 090	20	24 (+5%, -10%)	0.92	205 (+5%, -10%)	0.12
MD□KAB□ 100	40	24 (+5%, -10%)	1.46	205 (+5%, -10%)	0.18
MD□KAB□ 112	80	24 (+5%, -10%)	1.46	205 (+5%, -10%)	0.18

¹⁾ The currents are maximum values for a cold brake (data for dimensioning the power supply). The values for a motor at operating temperature are considerably lower.

²⁾ Smoothed DC voltage, ripple 1%.

³⁾ UR not possible in the case of a brake with 205 V supply voltage.



Brake

Motor type	t ₁ ¹⁾ [ms]	t ₂ ¹⁾ [ms]	Q _E ²⁾ [kJ]	S _{Hü} ³⁾ [1/h]	J _B [kgm ²]	m [kg]
MDSK□B□ 056	13	22	6.5	23	1.06E-04	0.75
MD□K□B□ 071	24	30	12.0	17	3.60E-04	1.38
MD□KAB□ 080	28	55	25.0	12	3.60E-04	1.45
MD□KAB□ 090	28	55	25.0	12	9.50E-04	2.42
MD□KAB□ 100	40	100	50.0	9	3.18E-03	4.79
MD□KAB□ 112	53	97	50.0	9	3.18E-03	4.98

1) Engagement and disengagement times apply at the rated voltage (+0%) and with a suppressor circuit for the brakes in the form of a varistor with switching on the DC side. The times may be longer without a suppressor circuit.

2) Maximum switching energy per switching operation at n = 1500 rpm

3) Transference operating frequency to VDI 2241 to determine the permissible switching frequency/friction energy

If long motor cables are being used, the ohmic voltage drop along the cable should be taken into account and compensated by applying a higher voltage at the cable input.

The following applies to Lenze system cables:

$$\Delta U_B = 0.08 \cdot l_{\text{cable}} [\text{m}] \cdot I_B [\text{A}]$$

If the incorrect voltage (incorrect magnitude, incorrect polarity) is applied to the brake, the brake will be actuated and may overheat and be destroyed if the motor continues to run. Switching the voltage on the DC side will minimise operating times. A spark suppressor is required to suppress voltage peaks.

Phase-angle sensor and tacho generator

Encoder	Resolver	Incremental encoder		SinCos encoder	
				Single-turn	Multi-turn
Synchronous servo motor MD□KS	●			●	●
Asynchronous servo motor MD□KA totally encl. fan-cooled	●	●	●	●	●
Letter symbol	RS	IT2048	IS2048	AS512	AM512
Type		ITD21	ITD22	SCS70	SCM70
Signals		2048 increments TTL signals	2048 increments sinusoidal signals 1 Vpp	512 periods, sinusoidal signals 1 Vpp asynchronous half duplex RS485 interface for transmission of the absolute position	
Resolution	0.8'	2.6'	0.4'	0.4'	0.4'
Accuracy	+/- 10' or +/- 4' on entry to number of correction code	+/- 2' acc. to number of increments	+/- 0.6' acc. to number of increments	+/- 0.8'	+/- 0.8'
Absolute positioning	1 revolution	No	1 revolution	1 revolution	4096 revolutions
Note	Standard solution installed for most applications	Incremental encoder installed instead of resolver	Incremental encoder installed instead of resolver	SinCos encoder installed instead of the standard resolver, actual position via interface on 9300. Operation is only possible once the encoder has been selected on the 9300 (encoder type and supply voltage), values have been saved and the drive has been shut down and restarted.	

Resolver (built-in encoder)

Stator-fed resolver with two 90° stator windings and one rotor winding with transformer winding.

Design	Brushless hollow shaft "pancake" resolver
Max. speed (continuous)	8000 rpm
Max. speed (short-time)	10.000 rpm
Input voltage	10 V amplitude
Input frequency	4 kHz
Stator/rotor ratio	0.3 ± 5%
Rotor impedance Z _{ro}	51 Ω + j90 Ω
Stator impedance Z _{s0}	102 Ω + j150 Ω
Impedance Z _{rs}	44 Ω + j76 Ω
Insulation resistance	>10 MΩ at 500 V DC
Number of pole pairs	1
Maximum angular error	± 10 angular minutes



SinCos absolute value encoder (built-in encoder)

Absolute encoder with two 90° sinusoidal signals with 512 periods per revolution and RS485 serial interface for trans-

mitting parameters and the absolute position within one or 4096 revolutions.

Type	SCS70
Design	Brushless hollow shaft encoder
Maximum speed	12,000 rpm
No. of absolute revolutions	1 (single-turn)
No. of periods	512 periods/revolution
Output signals	Two 90° sinusoidal signals with 1 V _{pp} , RS 485 serial interface, asynchronous, half duplex
Limit frequency	100 kHz
Supply	7 ... 12 V DC
Current consumption	100 ... 130 mA

Type	SCM70
Design	Brushless hollow shaft encoder
Maximum speed	12000 rpm
No. of absolute revolutions	4096 (multi-turn)
No. of periods	512 periods/revolution
Output signals	Two 90° sinusoidal signals with 1 V _{pp} , RS 485 serial interface, asynchronous, half duplex
Limit frequency	100 kHz
Supply	7 ... 12 V DC
Current consumption	100...130 mA

Incremental encoder (built-in encoder)

Encoder with two 90° TTL rectangular signals and 2048 pulses per revolution plus additional zero track.

Type	ITD21
Design	Brushless hollow shaft incremental encoder
Maximum speed	8000 rpm
Pulse rate	2048 pulses/revolution
Output signals	Two 90° rectangular signals, zero pulse, complementary TTL signals, U _{low} ≤ 0.5 V, U _{high} ≥ 2.5 V
Supply	5 V DC ± 5%, protected against polarity reversal
Current consumption	≤ 150 mA
Limit frequency	300 kHz

Incremental encoder (built-in encoder)

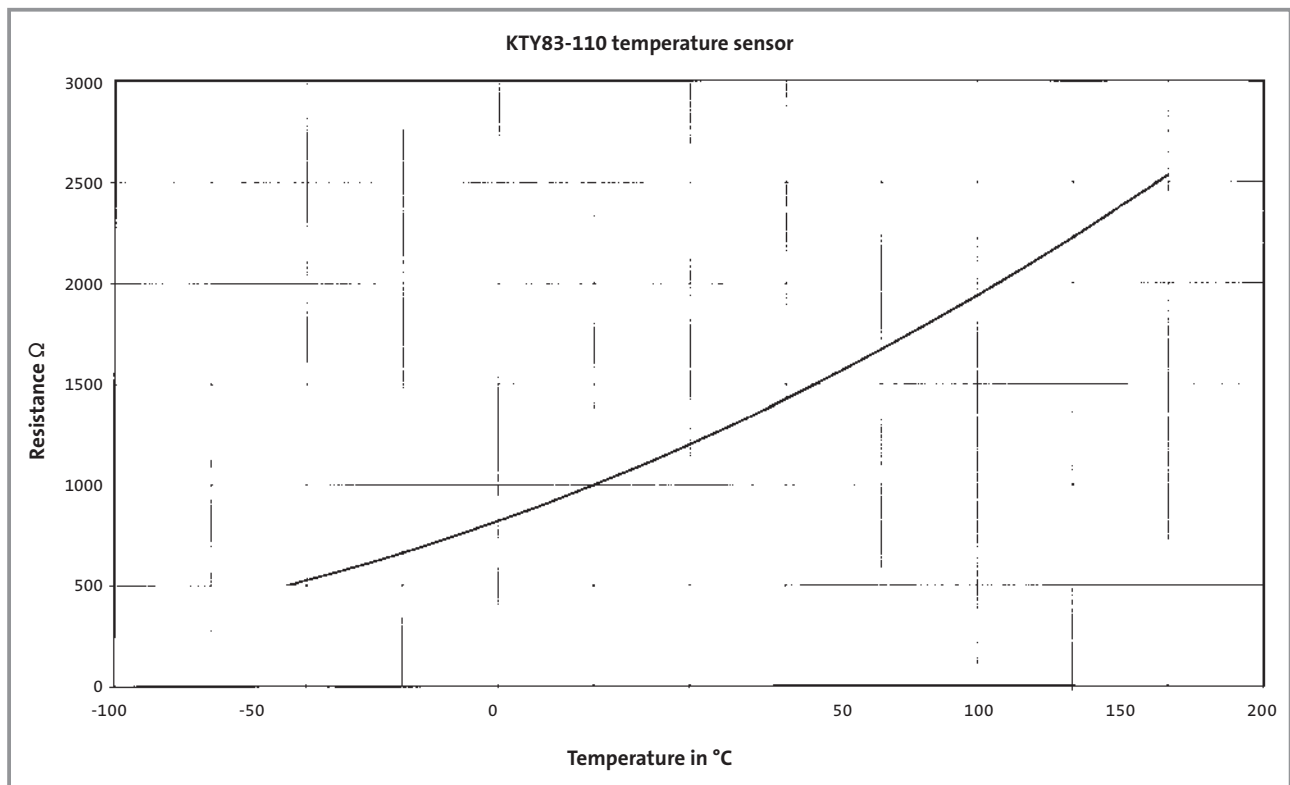
Encoder with two 90° sinusoidal signals and 2048 pulses per revolution plus additional zero pulse

Type	ITD22
Design	Brushless hollow shaft sinusoidal encoder
Maximum speed	8000 rpm
Pulse rate	2048 sinusoidal periods/revolution
Output signals	Two 90° sinusoidal signals with 1 Vpp + zero pulse
Supply	5 V DC +10%
Current consumption	≤ 100 mA
Limit frequency	180 kHz (-3 dB)

KTY 83-110 temperature sensor (integrated temperature sensor)

The KTY temperature sensor monitors the motor temperature continuously but does not provide full protection. Data is fed back to the 9300 servo inverter with the feed-

back system cable. When a 1 mA measured current is supplied to the sensor, the relationship between temperature and resistance is as follows:



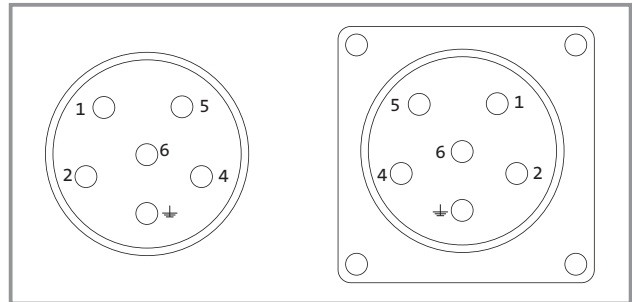


Connectors for motor connection

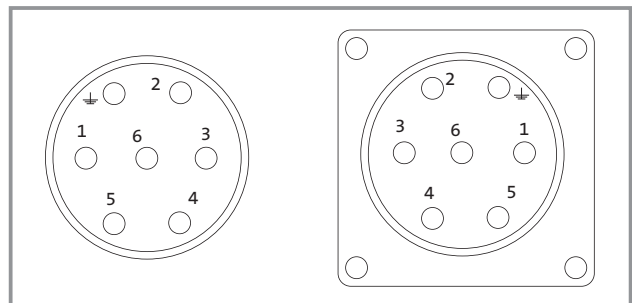
Power connection, brake connection

	Pin no.	Terminal assignment
Holding brake +UB	1	Y1
Holding brake -UB	2	Y2
Earthing PE	⏏	⏏
Motor power phase U	4	1. U1
Motor power phase V	5	2. V1
Motor power phase W	6	3. W1
Global Drive system cables		
Standard cable	EWLM□□□GM-015C	
	MD□K□056...090	
	EWLM□□□GM-025	
	MD□K□056...090	
	EWLM□□□GM-040	
	MD□KA100...112	
Cable suitable for trailing	EWLM□□□GMS025	
	MD□KA036...090	
	EWLM□□□GMS040	
	MD□KA100...112	
Intermediate cable	EWLM□□□ZM-015	
	MD□KA036...090	

MD□K 056...090



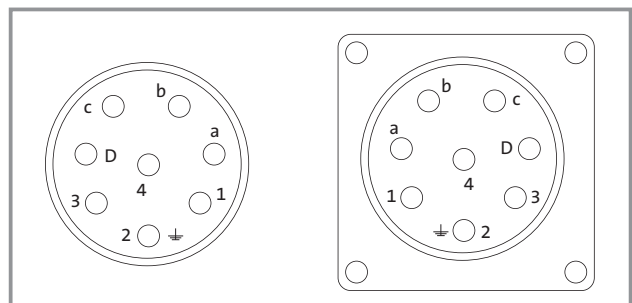
MD□KA 100...112



Blower connection

	Pin no.	Terminal assignment
Earthing PE	2	⏏
Blower output L1	A	U1
Blower output N	B	U2
Global Drive system cables		
Standard cable	EWLL□□□GM	
Cable suitable for trailing	EWLL□□□GMS	
Intermediate cable	EWLL□□□ZM	

MD□K□ 071...112



Caution!

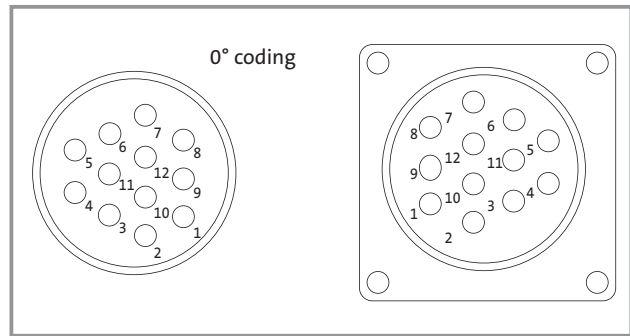
Shielded cables, e.g. Global Drive system cables, are required for EMC-compliant wiring.



Connectors for motor connection

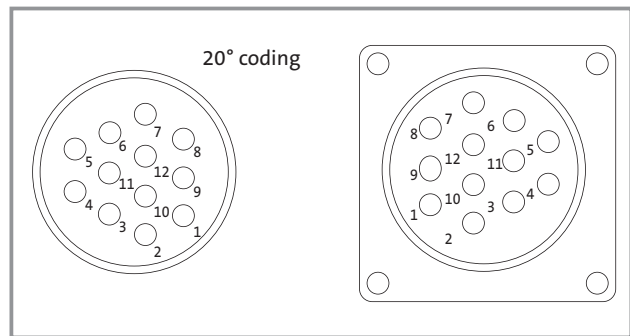
Resolver connection

	Pin no.	Terminal assignment
+Ref, transformer/reference winding 1	B1	
-Ref, transformer/reference winding	2	B2
+Cos, stator winding 4	B4	
-Cos, stator winding 5	B5	
+Sin, stator winding 6	B6	
-Sin, stator winding 7	B7	
Temperature sensor +KTY	11	T1
Temperature sensor -KTY	12	T2
Global Drive system cables		
Standard cable	EWLR□□□GM-T	
Intermediate cable suitable for trailing	EWLR□□□ZMST	
Intermediate cable	EWLR□□□ZM-T	



SinCos absolute value encoder and incremental encoder connection

	Pin no.	Terminal assignment
Track +B/+SIN	1	B5
Track -A/-COS	2	B4
Track +A/+COS	3	B3
Supply VCC	4	B1
Ground GND	5	B2
Track -0. -Z/-RS485	6	B8
Track +0. +Z/+RS485	7	B7
Track -B/-SIN	9	B6
Temperature sensor +KTY	11	T1
Temperature sensor -KTY	12	T2
Global Drive system cables		
Standard cable	EWLE□□□GM-T	



Caution!

Shielded cables, e.g. Global Drive system cables, are required for EMC-compliant wiring.

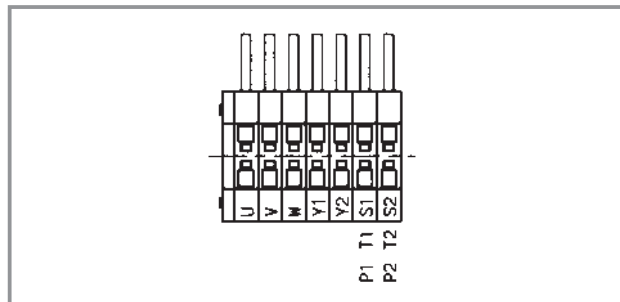
Terminal box

As alternative to connectors, servo motors can be fitted with terminal boxes for the power connection and brake.

Terminals

	Pin no.	Terminal assignment
Brake	5	Y1
Brake	6	Y2
PE conductor	PE	PE
Motor phase	1	U
Motor phase	2	V
Motor phase	3	W

Terminal diagram



Caution!

The following items are required for EMC-compliant wiring:

- ▶ Shielded cables
- ▶ Metal EMC cable glands with shield connection



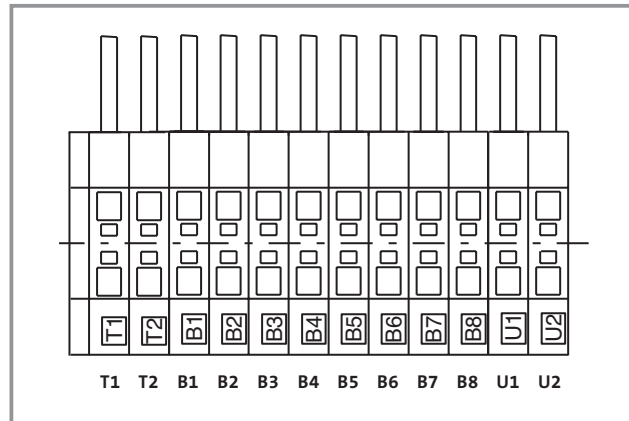
Blower and feedback can be routed via a second terminal box.

Resolver as feedback

Connections

	Pin no.	Terminal assignment
Thermal detector	T1	+ KTY
Thermal detector	T2	- KTY
Resolver	B1	+ Ref
Resolver	B2	- Ref
	B3	
Resolver	B4	+ cos
Resolver	B5	- cos
Resolver	B6	+ sin
Resolver	B7	- sin
	B8	
Blower	U1	L1
Blower	U2	N

Terminal diagram

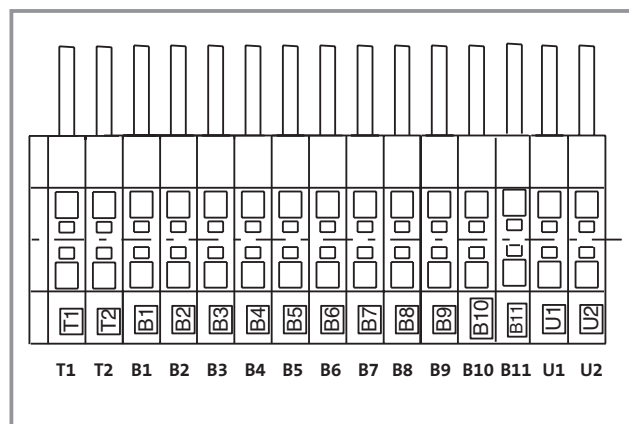


Incremental encoder or SinCos encoder as feedback

Terminals

	Pin no.	Terminal assignment
Temperature sensor	T1	+ KTY
Temperature sensor	T2	- KTY
Incremental encoder feed +	B1	+ UB
Incremental encoder feed -	B2	± ov
Incremental encoder track A	B3	A
Incremental encoder track A inverse	B4	- A
Incremental encoder track B	B5	B
Incremental encoder track B inverse	B6	- B
Incremental enc. track C (zero track)	B7	N
Incremental enc. track C (zero track inverse)	B8	N
Incremental encoder shield	B10	Shield hous.
Blower	U1	L1
Blower	U2	N

Terminal diagram

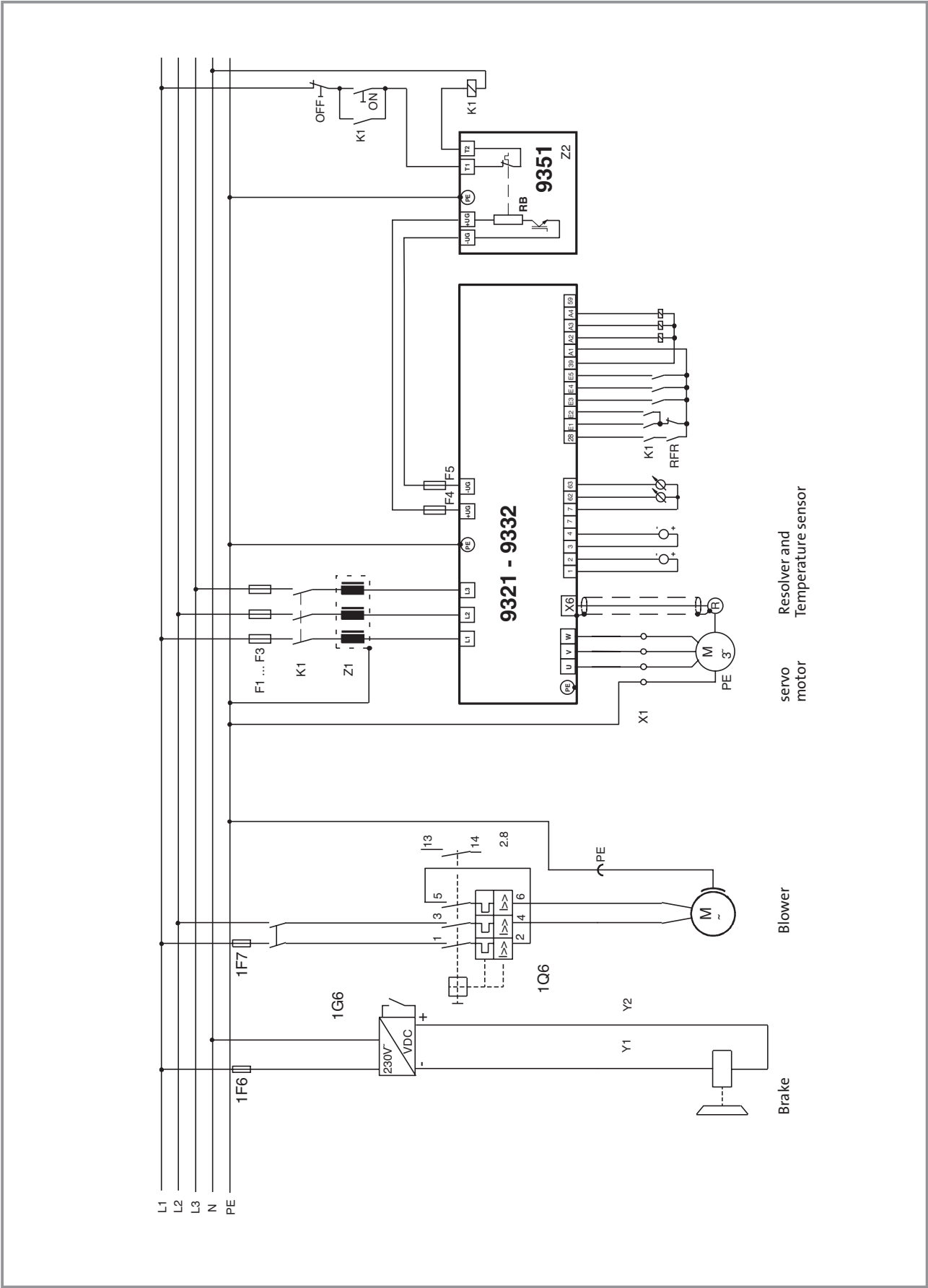


Cable glands and connection studs

Motor type	Power connection		Encoder/Blower connection
	Cable glands	Connection studs/terminal	Cable glands
MD□K□ 056	1x M16x1.5 + 1x M20x1.5	M4 or 0.08...2.5 mm ²	1x M16x1.5 + 1x M20x1.5
MD□K□ 071	1x M16x1.5 + 1x M20x1.5	M4 or 0.08...2.5 mm ²	1x M16x1.5 + 1x M20x1.5
MD□K□ 080	1x M16x1.5 + 1x M20x1.5	M4 or 0.08...2.5 mm ²	1x M16x1.5 + 1x M20x1.5
MD□K□ 090	1x M16x1.5 + 1x M20x1.5	M4 or 0.08...2.5 mm ²	1x M16x1.5 + 1x M20x1.5
MD□K□ 100	1x M25x1.5 + 1x M32x1.5	M5 or 0.2...10 mm ²	1x M16x1.5 + 1x M20x1.5
MD□K□ 112	1x M25x1.5 + 1x M32x1.5	M5 or 0.2...10 mm ²	1x M16x1.5 + 1x M20x1.5

Technical data - Servo motors

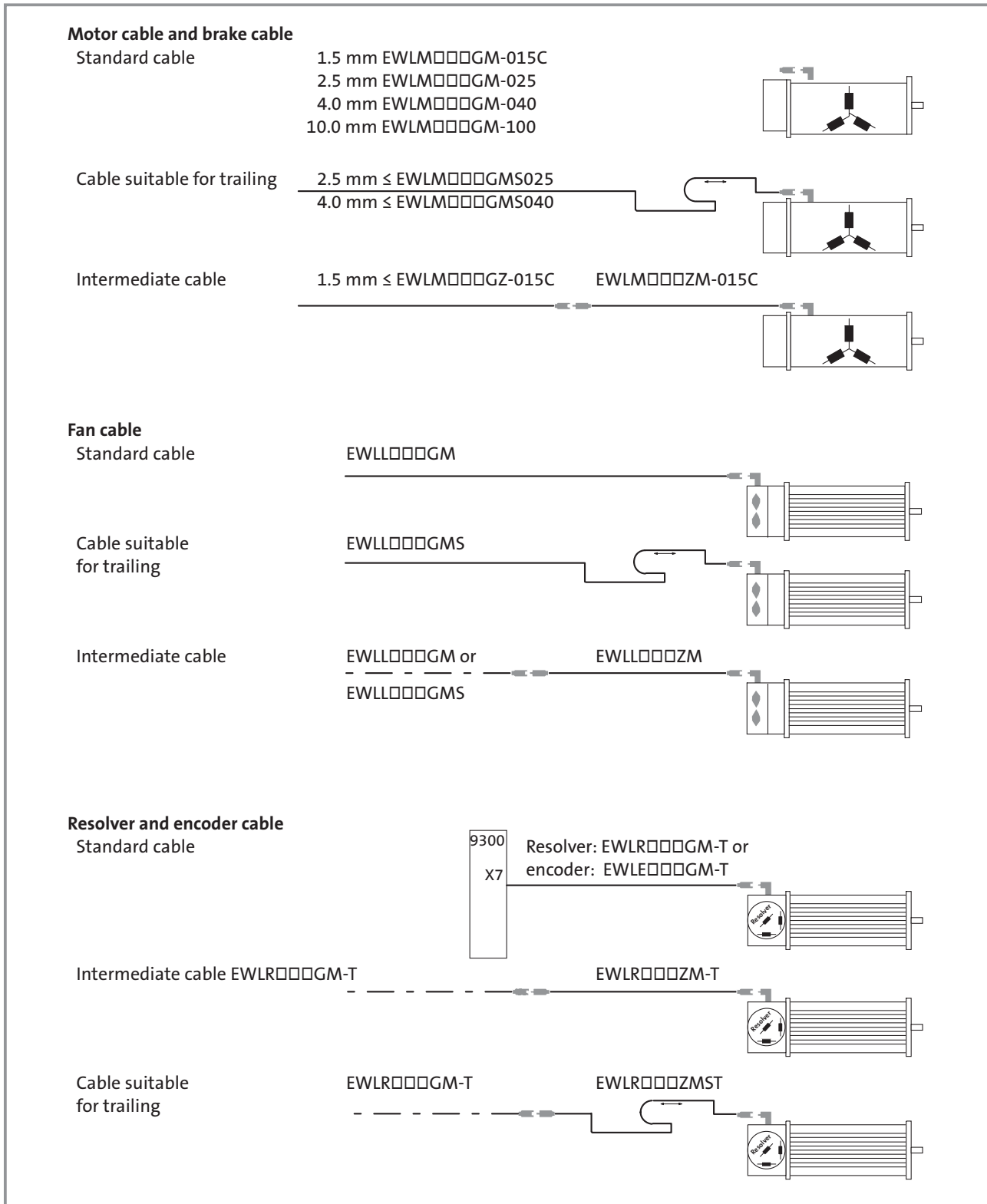
Connection plan





Preassembled system cables make connecting Lenze servo motors to 9300 servo inverters very easy. The following cables (see overview graphic) are available:

- ▶ Motor cables
- ▶ Fan cables
- ▶ Cables for feedback
- ▶ Add-on cables



Technical data - Servo motors

Motor cables

Preassembled motor cables make it easy to connect servo motors to the 9300 servo inverter. The required connectors are located at the motor end of the cables and the opposite end remains free for the control cabinet wiring.

Further advantages include:

- ▶ Integrated brake connection
- ▶ Shielded cable
- ▶ EMC-compliant wiring
- ▶ Cost-effective connection

Type	Length (m)	Connector for motor frame size	Amp- acity *	Core cross- section mm ²	Cable diameter mm	Bend radius		Weight kg
						Fixed wiring	Flex. wiring**	
Standard cable 1.5 mm²								
EWLM002GM-015C	2.5	056 - 090	15.0	1.5	13.5	7.5 x d	15 x d	0.6
EWLM005GM-015C	5.0	056 - 090	15.0	1.5	13.5	7.5 x d	15 x d	1.0
EWLM010GM-015C	10.0	056 - 090	15.0	1.5	13.5	7.5 x d	15 x d	2.0
EWLM015GM-015C	15.0	056 - 090	15.0	1.5	13.5	7.5 x d	15 x d	2.4
EWLM020GM-015C	20.0	056 - 090	15.0	1.5	13.5	7.5 x d	15 x d	3.7
EWLM025GM-015C	25.0	056 - 090	15.0	1.5	13.5	7.5 x d	15 x d	4.6
EWLM030GM-015C	30.0	056 - 090	15.0	1.5	13.5	7.5 x d	15 x d	5.5
EWLM035GM-015C	35.0	056 - 090	15.0	1.5	13.5	7.5 x d	15 x d	6.4
EWLM040GM-015C	40.0	056 - 090	15.0	1.5	13.5	7.5 x d	15 x d	7.3
EWLM045GM-015C	45.0	056 - 090	15.0	1.5	13.5	7.5 x d	15 x d	8.2
EWLM050GM-015C	50.0	056 - 090	15.0	1.5	13.5	7.5 x d	15 x d	9.1
EWLM075GM-015C	75.0	056 - 090	15.0	1.5	13.5	7.5 x d	15 x d	13.6
EWLM100GM-015C	100.0	056 - 090	15.0	1.5	13.5	7.5 x d	15 x d	18.1
Standard cable 2.5 mm²								
EWLM002GM-025	2.5	056 - 090	20.0	2.5	11.3	7.5 x d	15 x d	0.7
EWLM005GM-025	5.0	056 - 090	20.0	2.5	11.3	7.5 x d	15 x d	1.3
EWLM010GM-025	10.0	056 - 090	20.0	2.5	11.3	7.5 x d	15 x d	2.5
EWLM015GM-025	15.0	056 - 090	20.0	2.5	11.3	7.5 x d	15 x d	3.7
EWLM020GM-025	20.0	056 - 090	20.0	2.5	11.3	7.5 x d	15 x d	4.9
EWLM025GM-025	25.0	056 - 090	20.0	2.5	11.3	7.5 x d	15 x d	6.1
EWLM030GM-025	30.0	056 - 090	20.0	2.5	11.3	7.5 x d	15 x d	7.3
EWLM035GM-025	35.0	056 - 090	20.0	2.5	11.3	7.5 x d	15 x d	8.5
EWLM040GM-025	40.0	056 - 090	20.0	2.5	11.3	7.5 x d	15 x d	9.7
EWLM045GM-025	45.0	056 - 090	20.0	2.5	11.3	7.5 x d	15 x d	10.9
EWLM050GM-025	50.0	056 - 090	20.0	2.5	11.3	7.5 x d	15 x d	12.1
EWLM075GM-025	75.0	056 - 090	20.0	2.5	11.3	7.5 x d	15 x d	18.1
EWLM100GM-025	100.0	056 - 090	20.0	2.5	11.3	7.5 x d	15 x d	24.1
Standard cable 4.0 mm²								
EWLM005GM-040	5.0	100 - 112	28.0	4.0	13.5	7.5 x d	15 x d	1.9
EWLM010GM-040	10.0	100 - 112	28.0	4.0	13.5	7.5 x d	15 x d	3.6
EWLM015GM-040	15.0	100 - 112	28.0	4.0	13.5	7.5 x d	15 x d	5.4
EWLM020GM-040	20.0	100 - 112	28.0	4.0	13.5	7.5 x d	15 x d	7.1
EWLM025GM-040	25.0	100 - 112	28.0	4.0	13.5	7.5 x d	15 x d	8.9
EWLM030GM-040	30.0	100 - 112	28.0	4.0	13.5	7.5 x d	15 x d	11.5
EWLM035GM-040	35.0	100 - 112	28.0	4.0	13.5	7.5 x d	15 x d	12.4
EWLM040GM-040	40.0	100 - 112	28.0	4.0	13.5	7.5 x d	15 x d	14.1
EWLM045GM-040	45.0	100 - 112	28.0	4.0	13.5	7.5 x d	15 x d	15.9
EWLM050GM-040	50.0	100 - 112	28.0	4.0	13.5	7.5 x d	15 x d	17.6
EWLM075GM-040	75.0	100 - 112	28.0	4.0	13.5	7.5 x d	15 x d	26.4
EWLM100GM-040	100.0	100 - 112	28.0	4.0	13.5	7.5 x d	15 x d	35.1
Standard cable 10.0 mm²								
EWLM005GM-100	5.0	100 - 112	50.0	10.0	19.5	7.5 x d	15 x d	4.0
EWLM010GM-100	10.0	100 - 112	50.0	10.0	19.5	7.5 x d	15 x d	7.8
EWLM015GM-100	15.0	100 - 112	50.0	10.0	19.5	7.5 x d	15 x d	11.7
EWLM020GM-100	20.0	100 - 112	50.0	10.0	19.5	7.5 x d	15 x d	15.4
EWLM025GM-100	25.0	100 - 112	50.0	10.0	19.5	7.5 x d	15 x d	19.4
EWLM030GM-100	30.0	100 - 112	50.0	10.0	19.5	7.5 x d	15 x d	23.2
EWLM035GM-100	35.0	100 - 112	50.0	10.0	19.5	7.5 x d	15 x d	27.1
EWLM040GM-100	40.0	100 - 112	50.0	10.0	19.5	7.5 x d	15 x d	30.9
EWLM045GM-100	45.0	100 - 112	50.0	10.0	19.5	7.5 x d	15 x d	34.8
EWLM050GM-100	50.0	100 - 112	50.0	10.0	19.5	7.5 x d	15 x d	38.6
EWLM075GM-100	75.0	100 - 112	50.0	10.0	19.5	7.5 x d	15 x d	57.9
EWLM100GM-100	100.0	100 - 112	50.0	10.0	19.5	7.5 x d	15 x d	77.1

* To VDE 298 laying system B2 at 25°C ambient temperature

** Sustained alternate bending not permissible

Caution: The cable cross-section must be dimensioned in accordance with the motor rated current.

Technical data - Servo motors

Cables suitable for trailing



Special connecting cables are often required for positioning and traversing drives powered by servo technology. We can provide users with cables suitable for trailing. In addition to

the advantages of standard cables, these cables have been custom-designed to be set continuously in motion.

Type	Length (m)	Connector for motor frame size	Amp- acity * (A)	Core cross- section mm ²	Cable diameter mm	Bend radius		Weight kg
						Fixed wiring	Cables suitable for trailing	
Cable suitable for trailing 2.5 mm²								
EWLM002GMS025	2.0	056 - 090	20.0	2.5	12.8	5 x d	10 x d	1.4
EWLM005GMS025	5.0	056 - 090	20.0	2.5	12.8	5 x d	10 x d	2.7
EWLM010GMS025	10.0	056 - 090	20.0	2.5	12.8	5 x d	10 x d	4.0
EWLM015GMS025	15.0	056 - 090	20.0	2.5	12.8	5 x d	10 x d	5.3
EWLM020GMS025	20.0	056 - 090	20.0	2.5	12.8	5 x d	10 x d	6.6
EWLM025GMS025	25.0	056 - 090	20.0	2.5	12.8	5 x d	10 x d	7.9
EWLM030GMS025	30.0	056 - 090	20.0	2.5	12.8	5 x d	10 x d	9.2
EWLM040GMS025	40.0	056 - 090	20.0	2.5	12.8	5 x d	10 x d	10.5
EWLM050GMS025	50.0	056 - 090	20.0	2.5	12.8	5 x d	10 x d	20.5
EWLM075GMS025	75.0	056 - 090	20.0	2.5	12.8	5 x d	10 x d	26.1
EWLM100GMS025	100.0	056 - 090	20.0	2.5	12.8	5 x d	10 x d	32.1
Cable suitable for trailing 4.0 mm²								
EWLM002GMS040	2.0	100 - 112	28.0	4.0	14.0	5 x d	10 x d	1.1
EWLM005GMS040	5.0	100 - 112	28.0	4.0	14.0	5 x d	10 x d	1.9
EWLM010GMS040	10.0	100 - 112	28.0	4.0	14.0	5 x d	10 x d	3.6
EWLM015GMS040	15.0	100 - 112	28.0	4.0	14.0	5 x d	10 x d	5.4
EWLM020GMS040	20.0	100 - 112	28.0	4.0	14.0	5 x d	10 x d	7.1
EWLM025GMS040	25.0	100 - 112	28.0	4.0	14.0	5 x d	10 x d	8.9
EWLM030GMS040	30.0	100 - 112	28.0	4.0	14.0	5 x d	10 x d	11.5
EWLM040GMS040	40.0	100 - 112	28.0	4.0	14.0	5 x d	10 x d	14.1
EWLM050GMS040	50.0	100 - 112	28.0	4.0	14.0	5 x d	10 x d	17.6
EWLM075GMS040	75.0	100 - 112	28.0	4.0	14.0	5 x d	10 x d	26.4
EWLM100GMS040	100.0	100 - 112	28.0	24.0	14.0	5 x d	10 x d	35.1

If initial commissioning takes place in the factory prior to delivery to the customer, the entire system must be wired. Following commissioning, all connections must be unplugged.

Intermediate cables offer significant advantages in this respect. The motor connector is located at one end and a coupling at the other. This plug connection extends the length of the motor cable, thereby making it much easier to disassemble the system.

Type	Length (m)	Connector for motor frame size	Amp- acity * (A)	Core cross- section mm ²	Cable diameter mm	Bend radius		Weight kg
						Fixed wiring	Flex. wiring**	
Intermediate cable for device 1.5 mm²								
EWLM002GZ-015C	2.5	056 - 090	15.0	1.5	13.5	7.5 x d	15 x d	0.7
EWLM005GZ-015C	5.0	056 - 090	15.0	1.5	13.5	7.5 x d	15 x d	1.1
EWLM007GZ-015C	7.5	056 - 090	15.0	1.5	13.5	7.5 x d	15 x d	1.6
EWLM010GZ-015C	0.0	056 - 090	15.0	1.5	13.5	7.5 x d	15 x d	2.0
EWLM015GZ-015C	15.0	056 - 090	15.0	1.5	13.5	7.5 x d	15 x d	2.9
EWLM020GZ-015C	20.0	056 - 090	15.0	1.5	13.5	7.5 x d	15 x d	3.8
EWLM030GZ-015C	30.0	056 - 090	15.0	1.5	13.5	7.5 x d	15 x d	5.6
EWLM050GZ-015C	50.0	056 - 090	15.0	1.5	13.5	7.5 x d	15 x d	9.2
Intermediate cable for motor 1.5 mm²								
EWLM002ZM-015C	2.5	056 - 090	15.0	1.5	13.5	7.5 x d	15 x d	0.7
EWLM005ZM-015C	5.0	056 - 090	15.0	1.5	13.5	7.5 x d	15 x d	1.1
EWLM007ZM-015C	7.5	056 - 090	15.0	1.5	13.5	7.5 x d	15 x d	1.6
EWLM010ZM-015C	0.0	056 - 090	15.0	1.5	13.5	7.5 x d	15 x d	2.0
EWLM015ZM-015C	15.0	056 - 090	15.0	1.5	13.5	7.5 x d	15 x d	2.9
EWLM020ZM-015C	20.0	056 - 090	15.0	1.5	13.5	7.5 x d	15 x d	3.8
EWLM030ZM-015C	30.0	056 - 090	15.0	1.5	13.5	7.5 x d	15 x d	5.6
EWLM050ZM-015C	50.0	056 - 090	15.0	1.5	13.5	7.5 x d	15 x d	9.2

* To VDE 298 laying system B2 at 25°C ambient temperature

** Sustained alternate bending not permissible

Caution: The cable cross-section must be dimensioned in accordance with the motor rated current.

Technical data - Servo motors

Blower cables

Global Drive servo motors can be fitted with a blower at the non-drive end. The connection can be made via a cable.

On the motor side, the connection is made simply using a connector. Either standard cables or cables suitable for trailing can be used.

Type	Length (m)	Cross-section/ No. of cores (mm ²)	Cable diameter mm	Bend radius		Weight kg
				Fixed wiring	Flex. wiring **	
Standard cable						
EWLL002GM	2.5	0.5	7.2	10 x d	15 x d	0.3
EWLL005GM	5.0	0.5	7.2	10 x d	15 x d	0.4
EWLL010GM	10.0	0.5	7.2	10 x d	15 x d	0.7
EWLL015GM	15.0	0.5	7.2	10 x d	15 x d	1.0
EWLL020GM	20.0	0.5	7.2	10 x d	15 x d	1.3
EWLL025GM	25.0	0.5	7.2	10 x d	15 x d	1.6
EWLL030GM	30.0	0.5	7.2	10 x d	15 x d	1.9
EWLL035GM	35.0	0.5	7.2	10 x d	15 x d	2.2
EWLL040GM	40.0	0.5	7.2	10 x d	15 x d	2.5
EWLL045GM	45.0	0.5	7.2	10 x d	15 x d	2.8
EWLL050GM	50.0	0.5	7.2	10 x d	15 x d	3.1
EWLL075GM	75.0	0.5	7.2	10 x d	15 x d	4.6
EWLL100GM	100.0	0.5	7.2	10 x d	15 x d	6.1
Cable suitable for trailing						
EWLL002GMS	2.5	0.5	7.0	6 x d	10 x d	0.3
EWLL005GMS	5.0	0.5	7.0	6 x d	10 x d	0.4
EWLL010GMS	10.0	0.5	7.0	6 x d	10 x d	0.7
EWLL015GMS	15.0	0.5	7.0	6 x d	10 x d	1.0
EWLL020GMS	20.0	0.5	7.0	6 x d	10 x d	1.3
EWLL025GMS	25.0	0.5	7.0	6 x d	10 x d	1.6
EWLL035GMS	30.0	0.5	7.0	6 x d	10 x d	1.9
EWLL040GMS	40.0	0.5	7.0	6 x d	10 x d	2.5
EWLL050GMS	50.0	0.5	7.0	6 x d	10 x d	3.1
EWLL075GMS	75.0	0.5	7.0	6 x d	10 x d	4.6
EWLL100GMS	100.0	0.5	7.0	6 x d	10 x d	6.1

Like the motor cable, a pluggable connection can be established with the blower cable.

This intermediate cable is fitted with a connector/plug at both ends.

Type	Length (m)	Cross-section/ No. of cores (mm ²)	Cable diameter mm	Bend radius		Weight kg
				Fixed wiring	Flex. wiring **	
Intermediate cable for motor						
EWLL002ZM	2.5	0.5	7.2	10 x d	15 x d	0.4
EWLL005ZM	5.0	0.5	7.2	10 x d	15 x d	0.6
EWLL007ZM	7.5	0.5	7.2	10 x d	15 x d	0.9
EWLL010ZM	10.0	0.5	7.2	10 x d	15 x d	1.1
EWLL015ZM	15.0	0.5	7.2	10 x d	15 x d	1.6
EWLL020ZM	20.0	0.5	7.2	10 x d	15 x d	2.1
EWLL030ZM	30.0	0.5	7.2	10 x d	15 x d	3.1
EWLL050ZM	50.0	0.5	7.2	10 x d	15 x d	5.1

** Sustained alternate bending not permissible

Technical data - Servo motors

Resolver cables/Encoder cables



Resolvers are amongst the possible options that can be used for feedback. Cables with connectors at both ends are used to establish the connection between the drive controller and the motor.

These cables can be supplied in lengths of up to 100 metres. Resolver cables can also be extended using either standard intermediate cables or suitable for trailing.

Type	Length (m)	Cross-section/ No. of cores (mm ²)	Cable diameter mm	Bend radius		Weight kg
				Fixed wiring	Flex. wiring **	
Standard cable						
EWLR002GM-T	2.5	1x(2x0.5)+3x(2x0.14)	9.3	7.5 x d	15 x d	0.4
EWLR005GM-T	5.0	1x(2x0.5)+3x(2x0.14)	9.3	7.5 x d	15 x d	0.6
EWLR010GM-T	10.0	1x(2x0.5)+3x(2x0.14)	9.3	7.5 x d	15 x d	1.1
EWLR015GM-T	15.0	1x(2x0.5)+3x(2x0.14)	9.3	7.5 x d	15 x d	1.6
EWLR020GM-T	20.0	1x(2x0.5)+3x(2x0.14)	9.3	7.5 x d	15 x d	2.1
EWLR025GM-T	25.0	1x(2x0.5)+3x(2x0.14)	9.3	7.5 x d	15 x d	2.6
EWLR030GM-T	30.0	1x(2x0.5)+3x(2x0.14)	9.3	7.5 x d	15 x d	3.1
EWLR035GM-T	35.0	1x(2x0.5)+3x(2x0.14)	9.3	7.5 x d	15 x d	3.6
EWLR040GM-T	40.0	1x(2x0.5)+3x(2x0.14)	9.3	7.5 x d	15 x d	4.1
EWLR045GM-T	45.0	1x(2x0.5)+3x(2x0.14)	9.3	7.5 x d	15 x d	4.6
EWLR050GM-T	50.0	1x(2x0.5)+3x(2x0.14)	9.3	7.5 x d	15 x d	5.1
EWLR075GM-T	75.0	1x(2x0.5)+3x(2x0.14)	9.3	7.5 x d	15 x d	7.6
EWLR100GM-T	100.0	1x(2x0.5)+3x(2x0.14)	9.3	7.5 x d	15 x d	10.1
Intermediate cable suitable for trailing						
EWLR005ZMST	5.0	1x(2x0.5) + 3x(2x0.14)	11.6	5 x d	10 x d	1.0
EWLR010ZMST	10.0	1x(2x0.5) + 3x(2x0.14)	11.6	5 x d	10 x d	1.7
EWLR015ZMST	15.0	1x(2x0.5) + 3x(2x0.14)	11.6	5 x d	10 x d	2.5
EWLR020ZMST	20.0	1x(2x0.5) + 3x(2x0.14)	11.6	5 x d	10 x d	3.2
EWLR025ZMST	25.0	1x(2x0.5) + 3x(2x0.14)	11.6	5 x d	10 x d	4.0
EWLR030ZMST	30.0	1x(2x0.5) + 3x(2x0.14)	11.6	5 x d	10 x d	4.7
EWLR040ZMST	40.0	1x(2x0.5) + 3x(2x0.14)	11.6	5 x d	10 x d	6.2
EWLR050ZMST	50.0	1x(2x0.5) + 3x(2x0.14)	11.6	5 x d	10 x d	7.7
EWLR075ZMST	75.0	1x(2x0.5) + 3x(2x0.14)	11.6	5 x d	10 x d	11.5
EWLR100ZMST	100.0	1x(2x0.5) + 3x(2x0.14)	11.6	5 x d	10 x d	15.2
Intermediate cable for resolver						
EWLR002ZM-T	2.5	1x(2x0.5) + 3x(2x0.14)	9.3	7.5 x d	15 x d	0.4
EWLR005ZM-T	5.0	1x(2x0.5) + 3x(2x0.14)	9.3	7.5 x d	15 x d	0.6
EWLR007ZM-T	7.5	1x(2x0.5) + 3x(2x0.14)	9.3	7.5 x d	15 x d	0.9
EWLR010ZM-T	10.0	1x(2x0.5) + 3x(2x0.14)	9.3	7.5 x d	15 x d	1.1
EWLR015ZM-T	15.0	1x(2x0.5) + 3x(2x0.14)	9.3	7.5 x d	15 x d	1.6
EWLR020ZM-T	20.0	1x(2x0.5) + 3x(2x0.14)	9.3	7.5 x d	15 x d	2.1
EWLR030ZM-T	30.0	1x(2x0.5) + 3x(2x0.14)	9.3	7.5 x d	15 x d	3.1
EWLR050ZM-T	50.0	1x(2x0.5) + 3x(2x0.14)	9.3	7.5 x d	15 x d	5.1
Encoder cable standard cable						
EWLE002GM-T	2.5	1x(2x1.0) + 4x(2x0.14)	10.7	7.5 x d	15 x d	0.4
EWLE005GM-T	5.0	1x(2x1.0) + 4x(2x0.14)	10.7	7.5 x d	15 x d	0.7
EWLE010GM-T	10.0	1x(2x1.0) + 4x(2x0.14)	10.7	7.5 x d	15 x d	1.4
EWLE015GM-T	15.0	1x(2x1.0) + 4x(2x0.14)	10.7	7.5 x d	15 x d	2.1
EWLE020GM-T	20.0	1x(2x1.0) + 4x(2x0.14)	10.7	7.5 x d	15 x d	2.8
EWLE025GM-T	25.0	1x(2x1.0) + 4x(2x0.14)	10.7	7.5 x d	15 x d	3.4
EWLE030GM-T	30.0	1x(2x1.0) + 4x(2x0.14)	10.7	7.5 x d	15 x d	4.1
EWLE035GM-T	35.0	1x(2x1.0) + 4x(2x0.14)	10.7	7.5 x d	15 x d	4.8
EWLE040GM-T	40.0	1x(2x1.0) + 4x(2x0.14)	10.7	7.5 x d	15 x d	5.5
EWLE045GM-T	45.0	1x(2x1.0) + 4x(2x0.14)	10.7	7.5 x d	15 x d	6.2
EWLE050GM-T	50.0	1x(2x1.0) + 4x(2x0.14)	10.7	7.5 x d	15 x d	6.9
EWLE075GM-T	75.0	1x(2x1.0) + 4x(2x0.14)	10.7	7.5 x d	15 x d	10.3
EWLE100GM-T	100.0	1x(2x1.0) + 4x(2x0.14)	10.7	7.5 x d	15 x d	13.8

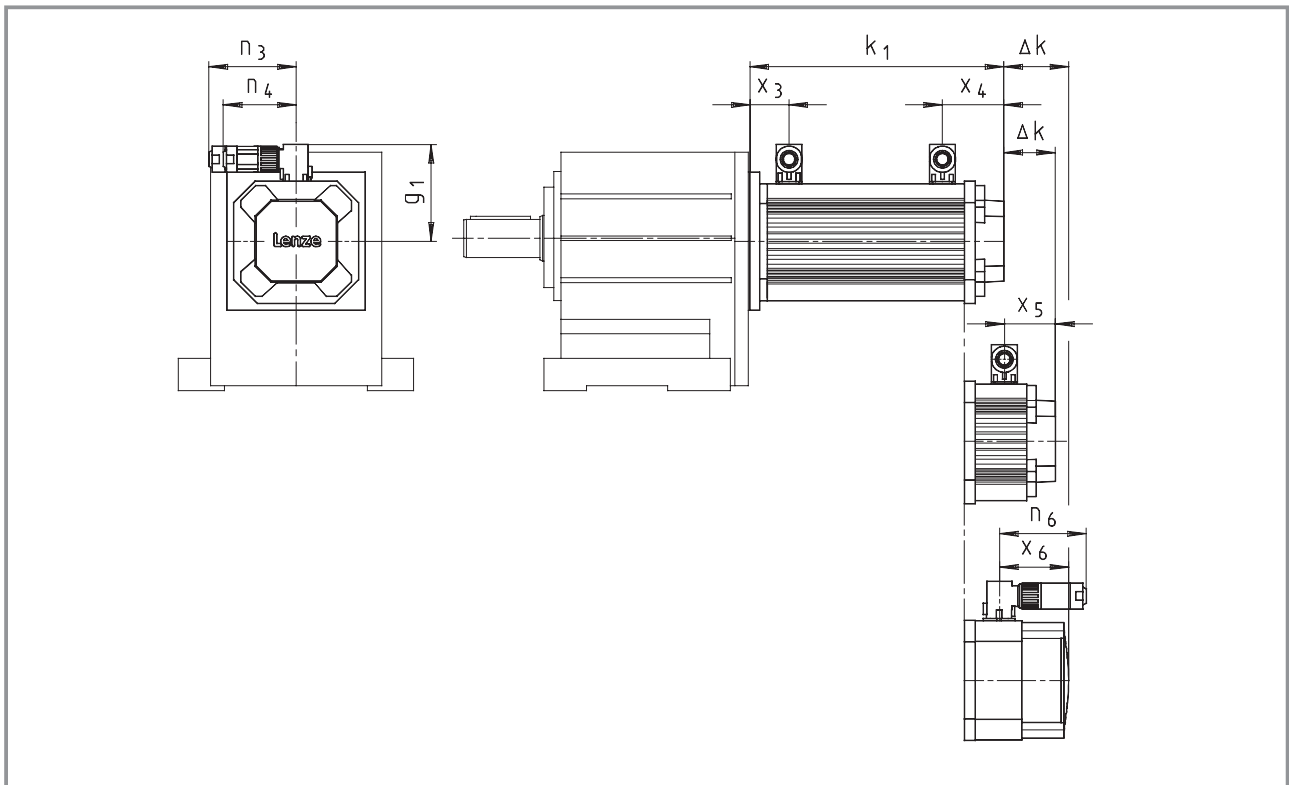
** Sustained alternate bending not permissible



Dimensions - Servo motors

Built-on accessories for motors and connectors for motor connection

Built-on accessories for motors and connectors for motor connection



Dimensions - Servo motors

Built-on accessories for motors and connectors for motor connection



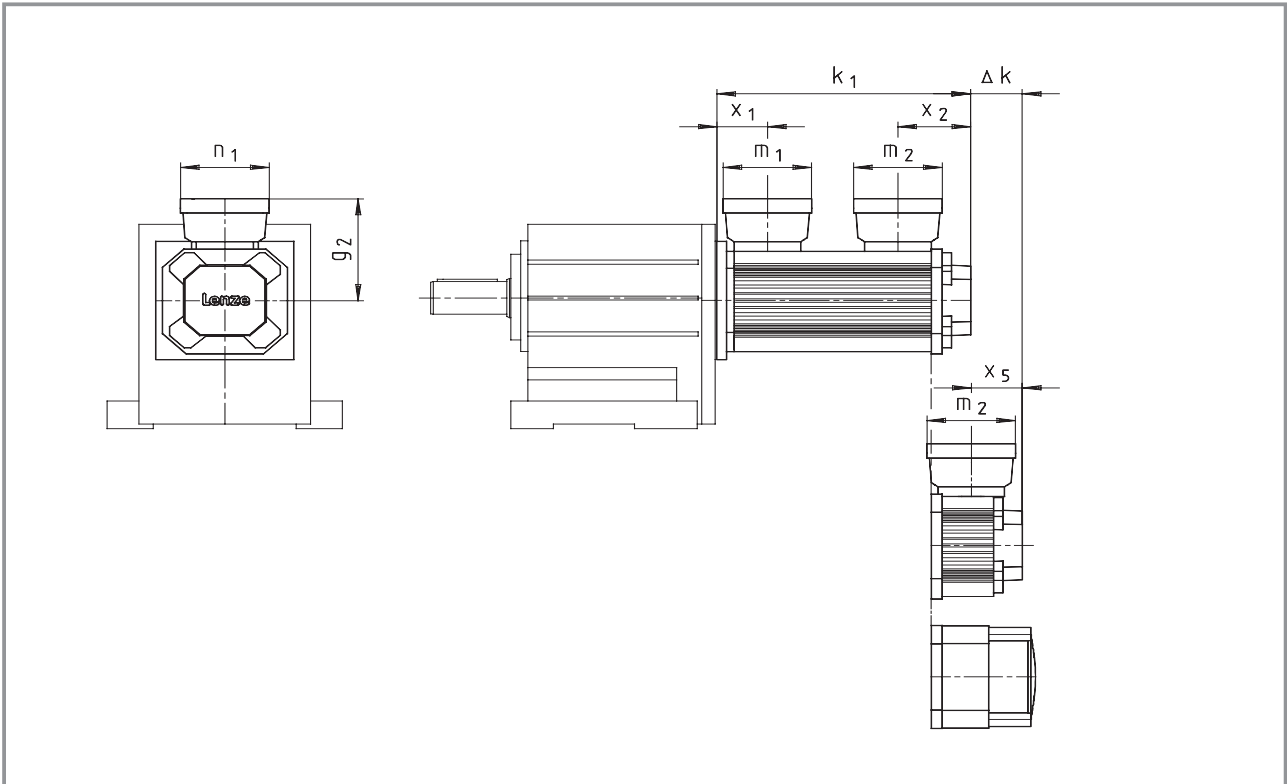
Geared servo motor		S (synchronous servo motors)					A (asynchronous servo motors)					
		056		071			056	071	080	090	100	112
		C23	C33	C03	C13	C33	C22	C22	C22	C22	C22	
Built-on accessories		k1										
Resolver	naturally ventilated	207	242	215	250	285	258	267	307	346	408	479
Further built-on accessories		Δk										
Resolver	forced ventilated	-			68		-	68	62	89	97	96
SinCos absolute value encoder	naturally ventilated	54			54		54	54	55	54	50	49
	forced ventilated	-			122		-	122	117	143	147	144
Incremental encoder	naturally ventilated	-			-		54	54	55	54	50	49
	forced ventilated	-			-		-	122	117	143	147	144
Brake+resolver	naturally ventilated	27			35		25	35	33	35	38	42
	forced ventilated	-			103		-	103	95	124	135	138
Brake+SinCos absolut value encoder	naturally ventilated	80			89		79	89	88	89	88	91
	forced ventilated	-			157		-	157	150	178	185	186
Brake+incremental encoder	naturally ventilated	-			-		79	89	88	89	88	91
	forced ventilated	-			-		-	157	150	178	185	186
Power connector												
Without brake	x ₃	30			33		38	41	46	49	63	71
	g ₁	90			102		90	102	109	117	136	147
	n ₃	92			92		92	92	92	92	147	147
Brake	x ₃	55			68		55	68	73	81	98	111
	g ₁	90			102		90	102	109	117	136	147
	n ₃	92			92		92	92	92	92	147	147
Encoder connector												
Resolver	x ₄	58			57		61	65	72	73	73	78
	g ₁	90			102		90	102	109	117	131	142
	n ₄	77			77		77	77	77	77	77	77
SinCos absolute value encoder	x ₄	-			57		-	65	72	73	73	78
	x ₅	54			-		54	-	-	-	-	-
	g ₁	90			102		90	102	109	117	131	142
Incremental encoder	n ₄	77			77		77	77	77	77	77	77
	x ₄	-			-		-	65	72	73	73	78
	x ₅	-			-		54	-	-	-	-	-
	g ₁	-			-		90	102	109	117	131	142
	n ₄	-			-		77	77	77	77	77	77
	Blower connector											
All built-on accessories forced ventilated	x ₆	-			73		-	73	67	95	103	95
	g ₁	-			104		-	104	112	120	134	146
	n ₆	-			92		-	92	92	92	92	92

Dimensions in [mm]

Dimensions - Servo motors

Terminal box for motor connection

Terminal box for motor connection



Geared servo motor	Synchronous motors					Asynchronous motors					
	056		071			056	071	080	090	100	112
	C23	C33	C03	C13	C33	C22	C22	C22	C22	C22	C22
g_2	113		125			113	125	132	140	158	169
m_1						93				120	
m_2						93				93*/120	
n_1						93				109	
x_1	54	60	53			60	53	58	61	80	93
Resolver k_1	207	242	215	250	285	258	267	307	346	408	479
x_2	60	78	69	77	77	78	77	84	85	87/93*	92/97*
SinCos absolute value encoder x_2	-		69	77	77	-	77	84	85	87/93*	92/97*
Incremental encoder $\Delta k/x_5$	54/50		-			54/50	-	-	-	-	-
x_2						-	77	84	85	87/93*	92/97*
$\Delta k/x_5$						54/50	-	-	-	-	-
Cable glands in position 5						1xM16x1.5 1xM20x1.5				1xM16x1.5*/1xM25x1.5 1xM20x1.5*/1xM32x1.5	

Dimensions in [mm]

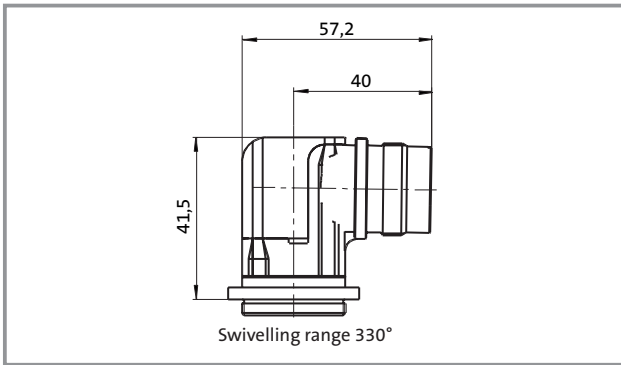
Position of cable glands in relation to terminal box position 2

* Only with terminal box for tachogenerator/position encoder/blower in IP54

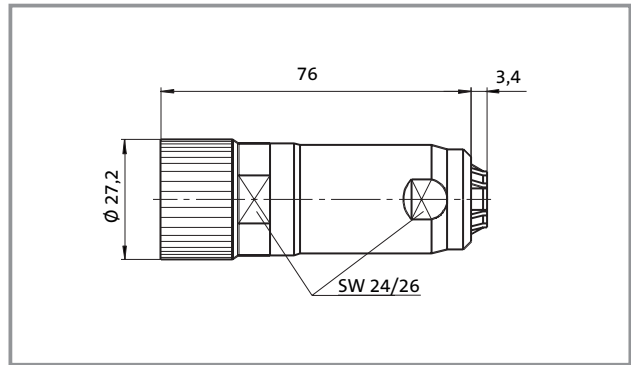


Power connection

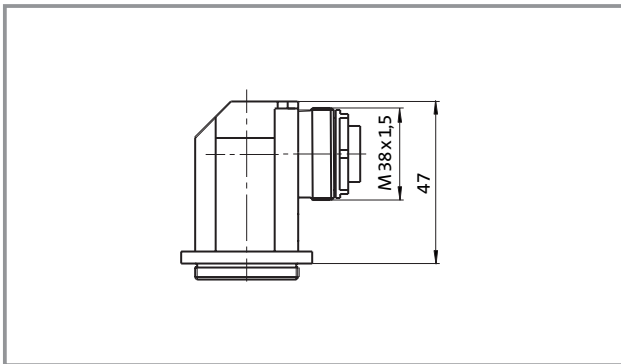
Angle socket for motor frame size 056 ... 090



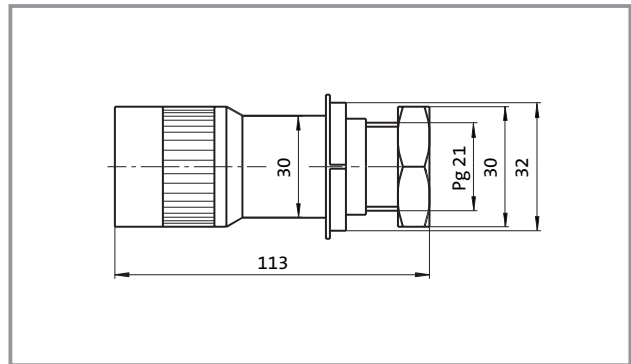
Connector for frame size 056 ... 090



Angle socket for motor frame size 100 ... 112

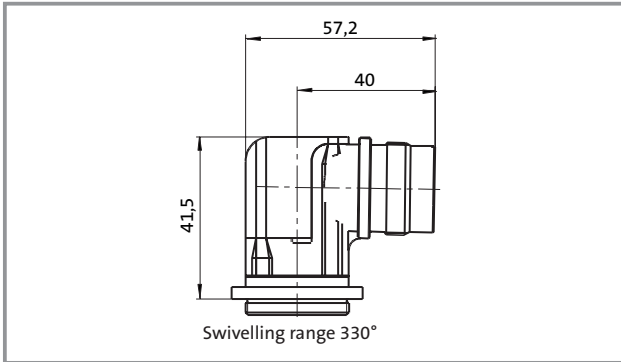


Connector for frame size 100 ... 112

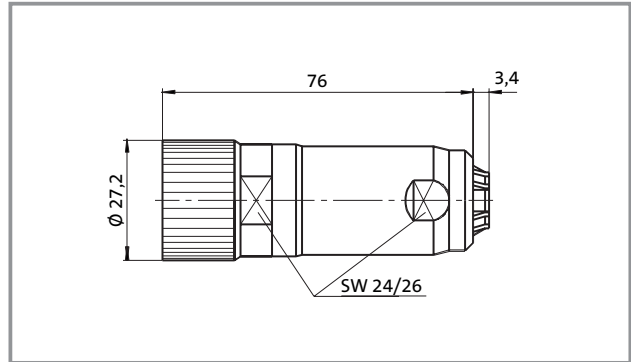


Blower connection

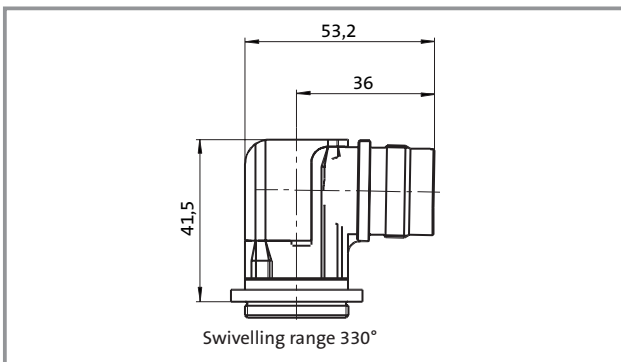
Angle socket for fan



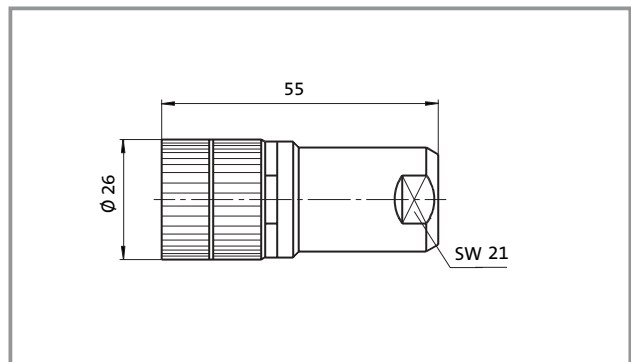
Connector



Encoder connection (resolver/SinCos/incremental encoder)
Angle socket



Connector





Servo inverter | G-motion servo MD

Technical data

Rated data _____ 9-2

Accessories _____ 9-5

**More technical data appears in the
servo inverters catalogue.**

Technical data - Servo inverters

Rated data

Type		9321	9322	9323	9324	9325
Order no. servo inverter		EVS9321-ES	EVS9322-ES	EVS9323-ES	EVS9324-ES	EVS9325-ES
Order no. servo register controller		EVS9321-ER	EVS9322-ER	EVS9323-ER	EVS9324-ER	EVS9325-ER
Order no. servo cam profiler		EVS9321-EK	EVS9322-EK	EVS9323-EK	EVS9324-EK	EVS9325-EK
Order no. servo position controller		EVS9321-EP	EVS9322-EP	EVS9323-EP	EVS9324-EP	EVS9325-EP
Mains voltage	U_{mains} [V]	320 V ... 528 V \pm 0% ; 45 Hz ... 65 Hz \pm 0%				
Alternative DC supply	UDC [V]	460 V ... 740 V +/-0%				
Data for operation on a mains supply: 3 AC/400 V/50 Hz/ 60 Hz						
Motor power (4-pole ASM)	P_r [kW]	0.37	0.75	1.5	3.0	5.5
Output current (8 kHz)	I_{N8} [A]	1.5 / 1.05 ¹⁾	2.5 / 1.7 ¹⁾	3.9 / 2.6 ¹⁾	7.0 / 4.7 ¹⁾	13.0
Output current (16 kHz)	I_{N16} [A]	1.1 / 0.77 ¹⁾	1.8 / 1.26 ¹⁾	2.9 / 2.03 ¹⁾	5.2 / 3.64 ¹⁾	9.7
Output power	S_{N8} [kVA]	1.0	1.7	2.7	4.8	9.0
Data for operation on a mains supply: 3 AC/480 V/50 Hz/ 60 Hz						
Motor power (4-pole ASM)	P_r [kW]	0.37	0.75	1.5	3.0	5.5
Output current (8 kHz)	I_{N8} [A]	1.5 / 1.05 ¹⁾	2.5 / 1.7 ¹⁾	3.9 / 2.6 ¹⁾	7.0 / 4.7 ¹⁾	13.0
Output current (16 kHz)	I_{N16} [A]	1.1 / 0.77 ¹⁾	1.8 / 1.26 ¹⁾	2.9 / 2.03 ¹⁾	5.2 / 3.64 ¹⁾	9.7
Output power	S_{N8} [kVA]	1.2	2.1	3.2	5.8	10.8
Max. output current at 8 kHz	I_{max}	2.3 / 3.0 ¹⁾	3.8 / 5.0 ¹⁾	5.9 / 7.8 ¹⁾	10.5 / 14 ¹⁾	19.5
Max. output current at 16 kHz	I_{max}	1.65 / 2.2 ¹⁾	2.7 / 3.6 ¹⁾	4.4 / 5.8 ¹⁾	7.8 / 10.4 ¹⁾	14.6
Mains current at U_{mains} 400 V	I_r [A]	1.5	2.5	3.9	7.0	12.0
Motor voltage	U_M [V]	3 ~ 0 ... U_{mains}				
Power loss at U_{mains} 400 V	P_{loss} [W]	100	110	140	200	260
Power reduction	$\left[\frac{\%}{K} \right]$ $\left[\frac{\%}{m} \right]$	40°C < T_{amb} < 50°C: 2%/K 1000 m amsl ... 4000 m amsl: 5%/1000m				
Dimensions	Width	78	78	97	97	135
	Height	350	350	350	350	350
	Depth	250	250	250	250	250
Weight	m [kg]	3.5	3.5	5.0	5.0	7.5

1) Operating mode drive for accelerating duty



Type		9326	9327	9328	9329
Order no. servo inverter		EVS9326-ES	EVS9327-ES	EVS9328-ES	EVS9329-ES
Order no. servo register controller		EVS9326-ER	EVS9327-ER	EVS9328-ER	EVS9329-ER
Order no. servo cam profiler		EVS9326-EK	EVS9327-EK	EVS9328-EK	EVS9329-EK
Order no. servo position controller		EVS9326-EP	EVS9327-EP	EVS9328-EP	EVS9329-EP
Mains voltage	U_{mains} [V]	320 V ... 528 V \pm 0% ; 45 Hz ... 65 Hz \pm 0%			
Alternative DC supply	UDC [V]	460 V ... 740 V +/-0%			
Data for operation on a mains supply: 3 AC/400 V/50 Hz/ 60 Hz					
Motor power (4-pole ASM)	P_r [kW]	11.0	15.0	22.0	30.0
Output current at 8 kHz	I_{N8} [A]	23.5	32.0	47.0	59.0
Output current at 16 kHz	I_{N16} [A]	15.3	20.8	30.6	38.0
Output power	S_r [kVA]	16.3	22.2	32.6	40.9
Data for operation on a mains supply: 3 AC/480 V/50 Hz/ 60 Hz					
Motor power (4-pole ASM)	P_r [kW]	11.0	18.5	30.0	37.0
Output current at 8 kHz	I_{N8} [A]	22.3	30.4	44.7	56.0
Output current at 16 kHz	I_{N16} [A]	14.5	19.2	28.2	35.0
Output power	S_r [kVA]	18.5	25.0	37.0	46.6
Max. output current at 8 kHz	I_{max}	35.3	48.0	70.5	88.5
Max. output current at 16 kHz	I_{max}	22.9	31.2	45.9	57
Mains current at U_{mains} 400 V	I_r [A]	20.5	27.0	44.0	53.0
Motor voltage	U_M [V]	3 ~ 0 ... U_{mains}			
Power loss at U_{mains} 400 V	P_{loss} [W]	360	430	640	810
Power reduction	$\left[\frac{\%}{K} \right]$ $\left[\frac{\%}{m} \right]$	40°C < Tamb < 50°C: 2%/K 1000 m amsl ... 4000 m amsl: 5 %/1000m			
Dimensions	Width	135	250	250	250
	Height	350	350	350	350
	Depth	250	250	250	250
Weight	m [kg]	7.5	12.5	12.5	12.5



Technical data - Servo inverters

Rated data

Type		9330	9331	9332
Order no. servo inverter		EVS9330-ES	EVS9331-ES	EVS9332-ES
Order no. servo register controller		EVS9330-ER	EVS9331-ER	EVS9332-ER
Order no. servo cam profiler		EVS9330-EK	EVS9331-EK	EVS9332-EK
Order no. servo position controller		EVS9330-EP	EVS9331-EP	EVS9332-EP
Mains voltage	U_{mains} [V]	320 V ... 528 V \pm 0% ; 45 Hz ... 65 Hz \pm 0%		
Alternative DC supply	UDC [V]	460 V ... 740 V +/-0%		
Data for operation on a mains supply: 3 AC/400 V/50 Hz/ 60 Hz				
Motor power (4-pole ASM)	P_r [kW]	45.0	55.0	75.0
Output current at 8 kHz	I_{N8} [A]	89.0	110.0	145.0
Output current at 16 kHz	I_{N16} [A]	58.0	70.0	90.0
Output power	S_r [kVA]	51.5	76.2	100.9
Data for operation on a mains supply: 3 AC/480 V/50 Hz/ 60 Hz				
Motor power (4-pole ASM)	P_r [kW]	45.0	55.0	90.0
Output current at 8 kHz	I_{N8} [A]	84.0	105.0	125.0
Output current at 16 kHz	I_{N16} [A]	55.0	65.0	80.0
Output power	S_r [kVA]	69.8	87.8	104.0
Max. output current at 8 kHz	I_{max}	133.5	165.0	225.0
Max. output current at 16 kHz	I_{max}	87	105	135
Mains current at U_{mains} 400 V	I_r [A]	78.0	96.4	129.1
Motor voltage	U_M [V]	$3 \sim 0 \dots U_{\text{mains}}$		
Power loss at U_{mains} 400 V	P_{loss} [W]	1100	1470	1960
Power reduction	$\frac{[\%/\text{K}]}{[\%/m]}$	40°C < T_{amb} < 50°C: 2%/K 1000 m amsl ... 4000 m amsl: 5%/1000m		
Dimensions	Width	340	450	450
	Height	591	680	680
	Depth	285	285	285
Weight	m [kg]	36.5	59.0	59.0





Accessories for all drives

Designation	Order no.
Operating module 9371	EMZ9371BB
Digital display	EPD203
Diagnosis terminal	EMZ9372BB
Setpoint potentiometer	ERPD0010k0001W
Rotary knob for potentiometer	ERZ0001
Scale for potentiometer	ERZ0002
RS232/485 fieldbus module	EMF2102IB-V001
RS485 fieldbus module	EMF2102IB-V002
Level converter for RS485	EMF2101IB
PC system cable RS232/485	EWL0020
PC program for Global Drive drive controller	ESP-GDC
Fibre optic fieldbus module	EMF2102IB-V003
Optical fibre adapter for PLC 0...40 m	EMF2125IB
Power supply unit for FO adapter 2125	EJ0013
INTERBUS-S module	EMF2111IB
PROFIBUS module	EMF2131IB
Terminal extension	EMZ9374IB
PC system bus converter	EMF2173IB
BCD decade switch	
Operator terminal	

Type-specific accessories 9321-9324

Designation	Order no.			
	9321	9322	9323	9324
Circuit breaker	EFA3B06A	EFA3B06A	EFA3B10A	EFA3B10A
Fuse	EFSM-0060AWE	EFSM-0060AWE	EFSM-0100AWE	EFSM-0100AWE
Fuse holder	EFH1001	EFH1001	EFH1001	EFH1001
Mains filter type A	EZN3A2400H002	EZN3A1500H003	EZN3A0900H004	EZN3A0500H007
Mains filter type B	EZN3B2400H002	EZN3B1500H003	EZN3B0900H004	EZN3B0500H007
Brake module	EMB9351-E	EMB9351-E	EMB9351-E	EMB9351-E
Brake chopper	EMB9352-E	EMB9352-E	EMB9352-E	EMB9352-E
Brake resistor	ERBD180R300W	ERBD180R300W	ERBD082R600W	ERBD068R800W
Thermal separation (push-through technique)	EJ0036	EJ0036	EJ0037	EJ0037
DC bus fuse	EFSCC0060AYJ	EFSCC0060AYJ	EFSCC0080AYJ	EFSCC0120AYJ
Fuse holder	EFH20004	EFH20004	EFH20004	EFH20004

Type-specific accessories 9325-9328

Designation	Order no.			
	9325	9326	9327	9328
Circuit breaker	EFA3B20A	EFA3B32A	–	–
Fuse	EFSM-0200AWE	EFSM-0320AWH	EFSFF-0630AYJ	EFSFF-0630AYJ
Fuse holder	EFH1001	EFH1001	EFH1001	EFH1001
Mains filter type A	EZN3A0300H013	EZN3A0150H024	EZN3A0110H030	EZN3A0080H042
Mains filter type B	EZN3B0300H013	EZN3B0150H024	EZN3B0110H030	EZN3B0080H042
Brake module	EMB9351-E	EMB9351-E	EMB9351-E	EMB9351-E
Brake chopper	EMB9352-E	EMB9352-E	EMB9352-E	EMB9352-E
Brake resistor	ERBD047R01k2	ERBD047R01k2	ERBD022R03k0	ERBD022R03k0
Thermal separation (push-through technique)	EJ0038	EJ0038	EJ0011	EJ0011
DC bus fuse	EFSCC0200AYJ	EFSCC0400AYJ	EFSCC0500AYJ	EFSCC0800AYJ
Fuse holder	EFH20004	EFH20004	EFH20004	EFH20004



Type-specific accessories 9329-9332

Designation	Order no.			
	9329	9330	9331	9332
Mains filter type A	EZN3A0055H060	EZN3A0037H090	EZN3A0022H150	EZN3A0022H150
Mains filter type B	EZN3B0055H060	EZN3B0037H090	EZN3B0022H150	EZN3B0022H150
Brake module	EMB9351-E	EMB9351-E	EMB9351-E	EMB9351-E
Brake chopper	EMB9352-E	EMB9352-E	EMB9352-E	EMB9352-E
Brake resistor	ERBD018R03k0	ERBD022R03k0 (2x)	ERBD018R03k0 (2x)	ERBD022R03k0 (3x)
Thermal separation (push-through technique)	EJ0011			
DC bus fuse	EFSCC1000AYJ	EFSCC0800AYJ (2x)	EFSCC1000AYJ (2x)	EFSCC0800AYJ (3x)
Fuse holder	EFH20004	EFH20004 (2x)	EFH20004 (2x)	EFH20004 (3x)



Lenze worldwide

Lenze AG

Postfach 10 13 52
D-31763 Hameln
Telefon +49 (0)51 54/82-0
Telefax +49 (0)51 54/82-28 00
E-Mail: Lenze@Lenze.de
Internet: www.Lenze.com

Lenze Drive Systems GmbH

Postfach 10 13 52, D-31763 Hameln
Telefon +49 (0)51 54 / 82-0
Telefax +49 (0)51 54 / 82-28 00

Lenze GmbH & Co KG Anlagenbau

Buchenweg 1
D-31855 Aerzen
Telefon +49 (0)51 54 / 82-0
Telefax +49 (0)51 54 / 82-21 00

Lenze GmbH & Co KG Kleinantriebe

Hans-Lenze-Straße 1
D-32699 Extertal
Telefon +49 (0)51 54 / 82-0
Telefax +49 (0)51 54 / 82-14 85

Lenze Service GmbH

Breslauer Straße 3
D-32699 Extertal
Mechanical Drives
Telefon +49 (0)51 54 / 82-16 26
Telefax +49 (0)51 54 / 82-13 96
Electronic Drives
Telefon +49 (0)51 54 / 82-11 11
Telefax +49 (0)51 54 / 82-11 12
Service Helpline
+49 (0)180 5 20 24 26

Lenze Verbindungstechnik GmbH

IpF-Landesstraße 1
A-4481 ASTEN
Phone +43 (0)72 24 / 21 1-0
Telefax +43 (0)72 24 / 21 19 98

Lenze DETO Drive Systems GmbH & Co KG

Gewerbepark Süd 11
A-6330 Kufstein
Telefon +43 (0)53 72 / 6 53 15-200
Telefax +43 (0)53 72 / 6 53 15-299

Lenze Digitec Controls GmbH

Grünstraße 36
D-40667 Meerbusch
Telefon +49 (0)21 32 / 99 04-0
Telefax +49 (0)21 32 / 7 21 90

LS Automation GmbH & Co KG

Jakob-Stadler-Platz 11
D-78467 Konstanz
Telefon +49 (0)75 31 / 9 42 19-0
Telefax +49 (0)75 31 / 9 42 19 20

encoway GmbH

Universitätsallee 21-23
D-28359 Bremen
Telefon +49 (0)4 21 / 2 46 77-0
Telefax +49 (0)4 21 / 2 46 77-10

DEUTSCHLAND/GERMANY

Lenze Vertrieb GmbH

Ludwig-Erhard-Straße 52-56
D-72760 Reutlingen
Telefon +49 (0)71 21 / 9 39 39-0
Telefax +49 (0)71 21 / 9 39 39-29

Region Nord
Dornenpark 1
31840 Hessisch Oldendorf
Telefon (0 51 52) 90 36-0
Telefax (0 51 52) 90 36-33/44/55

Region West
Postfach 10 12 20
47497 Neukirchen-Vluyn
Kelvinstraße 7
47506 Neukirchen-Vluyn
Telefon (0 28 45) 95 93-0
Telefax (0 28 45) 95 93 93

Region Mitte/Ost
Postfach 1463
35724 Herborm
Austraße 81
35745 Herborm
Telefon (0 27 72) 95 94-0
Telefax (0 27 72) 5 30 79

Region Südwest
Postfach 14 33
71304 Waiblingen
Schänzle 8
71332 Waiblingen
Telefon (0 71 51) 9 59 81-0
Telefax (0 71 51) 9 59 81 50

Region Süd
Fraunhoferstraße 16
82152 Martinsried
Telefon (0 89) 89 56 14-0
Telefax (0 89) 89 56 14 14

WELTWEIT/WORLDWIDE

ALGERIA

see FRANCE

ARGENTINA *

E.R.H.S.A.
Girardot 1368, 1427 BUENOS AIRES
Phone +54 (0)11 / 45 54 32 32
Telefax +54 (0)11 / 45 52 36 11

AUSTRALIA *

FCR Motion Technology Pty. Ltd.
Unit 6, Automation Place
38-40 Little Boundary Rd.
LAVERTON NORTH, Vic. 3026
Phone +61 (3) 9362 6800
Telefax +61 (3) 9314 3744

AUSTRIA *

Lenze Antriebstechnik GmbH
IpF-Landesstraße 1
4481 ASTEN
Phone +43 (0)7224 / 21 0-0
Telefax +43 (0)7224 / 21 09 99
Office Dornbirn:
Lustenauer Straße 64
6850 DORNBIERN
Phone +43 (0)5572 / 26 789-0
Telefax +43 (0)5572 / 26 789-66

Office Wr. Neudorf:
Triester Straße 14/109
2351 WR. NEUDORF
Phone +43 (0)2236 / 2 53 33-0
Telefax +43 (0)2236 / 2 53 33-66

Office Graz:
Seering 8
8141 ÜNTERPREMSTÄTTEN
Phone +43 (0)3135 / 56 900-0
Telefax +43 (0)3135 / 56 900 999

Lenze Verbindungstechnik GmbH
IpF-Landesstraße 1
4481 ASTEN
Phone +43 (0)7224 / 21 1-0
Telefax +43 (0)7224 / 21 19 98

Lenze Anlagentechnik GmbH
Mühlenstraße 3
4470 ENNS
Phone +43 (0)7223 / 886-0
Telefax +43 (0)7223 / 886-997

BELGIUM *

Lenze bv.ba
Noorderlaan 133
bus 15
2030 ANTWERPEN
Phone +32 (0)3 / 54 26 20 0
Telefax +32 (0)3 / 54 13 75 4

BOSNIA-HERZEGOVINA

see AUSTRIA

BRAZIL *

AC Control Ltda
Rua Gustavo da Silveira 1199
Vila Sta. Catarina
SÃO PAULO – S.P.
04376-000
Phone +55 (11) 55 64 65 79 ramal: 214
Telefax +55 (11) 56 79 75 10

BULGARIA

see MACEDONIA

CANADA *

see USA

CHILE

Sargent S.A.
Tecnica Thomas C. Sargent
S.A.C.E.I.
Casilla 166-D
SANTIAGO DE CHILE
Phone +56 (0)2 / 51 03 000
Telefax +56 (0)2 / 69 83 989

CHINA *

Lenze Mechatronic Drives (Shanghai)
Co. Ltd., Section B, 50# building,
No.199 North Ri Ying Road,
Waigaoqiao Free Trade Zone
SHANGHAI, 200131
Phone +86-21-5046 0848
Telefax +86-21-5046 0850

Beijing Office
Shengfu Mansion
No. 37, Maizidian Road
Chaoyang District
BEIJING 100026
Phone +86-10-8527 5005
Telefax +86-10-8527 5004

CROATIA

Lenze Antriebstechnik GmbH
Predstavništvo Zagreb
Ulica Grada Gospica 3
HR-1000 ZAGREB
Phone +385-1-2 49 80 56
Telefax +385-1-2 49 80 57

CZECH REPUBLIC

Lenze, s.r.o.
Central Trade Park D1
396 01 HUMPOLEC
Phone +420 565 507-111
Telefax +420 565 507-399

Büro Červený Kostelec:
17. listopadu 510
549 41 ČERVENÝ KOSTELEČ
Phone +420 491 467-111
Telefax +420 491 467-166

DENMARK *

Lenze A/S
Vallensbækvej 18A
2605 BRØNDBY
Phone +45 / 46 96 66 66
Telefax +45 / 46 96 66 60
24 stunde service +45 / 40 93 04 11

Buero Jylland:
Lenze A/S
Langhøjvej 1
8381 TILST
Phone +45 / 46 96 66 66
Telefax +45 / 46 96 66 80

EGYPT

WADI Co. for technologies
and development
P.O.Box 209, new center Ramses
11794 CAIRO, Egypt
11 Syria St., Mohandessin
GIZA, Egypt
Phone +20 (2) 347 6842
Telefax +20 (2) 347 6843

ESTONIA

see FINLAND

FINLAND *

Lenze Drives
Rykmentintie 2 b
20810 TURKU
Phone +358 2 2748 180
Telefax +358 2 2748 189

FRANCE *

Lenze S.A.
Siege
Z.A. de Chanteloup
Rue Albert Einstein
93603 AULNAY-SOUS-BOIS CEDEX
Services Commerciaux
Tel. 0 825 086 036
Fax 0 825 086 346

Centre de formation
E-Mail : semin.sidonie@lenze.fr

Questions générales / Documentation
E-Mail : info@lenze.fr

Service Après-vente / assistance en ligne
Helpline 24/24 : 0 825 826 117
E-Mail : helpline@lenze.fr

Agences en France
Région France Nord :
Z.A. de Chanteloup
Rue Albert Einstein
93603 AULNAY-SOUS-BOIS CEDEX

Lille
59420 MOUVAUX

Strasbourg
67960 ENTZHEIM

Rouen
76500 ELBEUF

Région France Sud :
Rond point du sans souci
69578 LIMONEST Cedex

Toulouse
31400 TOULOUSE

Agen
47270 SAINT-PIERRE DE CLAIRAC

GREECE

George P. Alexandris S.A.
12K. Mavromichali Str.
185 45 PIRAEUS
Phone +30 (0)210 / 41 11 84 15
Telefax +30 (0)210 / 4 11 81 71
4 12 70 58

183 Monastiriou Str.
546 27 THESSALONIKI
Phone +30 (0)310 / 5 56 65 04
Telefax +30 (0)310 / 51 18 15

HUNGARY *

Lenze Antriebstechnik Handelsgesell-
schaft mbH
2040 BUDAÖRS
Gyár utca 2., P.O.Box 322.
Phone +36 (0)23 / 501-320
Telefax +36 (0)23 / 501-339

ICELAND

see DENMARK

INDIA

Electronic Service:
National Power Systems,
10, Saibaba Shopping Centre
Keshav Rao Kadam Marg,
Off Lamington Rd,
MUMBAI 400 008
Phone +91 22 / 2300 5667, 2301 3712
Telefax +91 22 / 2300 5668

V3 Controls Pvt. Ltd.
1, "Devayani", Next to SBI, Baner ITI Road,
Sanewadi, Aundh,
PUNE 411 007, MS
Phone +91 20 / 25 88 68 62
Telefax +91 20 / 25 88 03 50

Mechanical Service:
Emco Lenze Pvt. Ltd.
1st Floor, Sita Mauli
Madhanlal Dhingra Road
Panch Pakhadi, Thane (West)
MAHARASHATRA 400 602
Phone +91 22 / 25 40 54 88
+91 22 / 25 45 22 44
Telefax +91 22 / 25 45 22 33



INDONESIA

see MALAYSIA

IRAN

Tavan Rissan Co. Ltd.
P.O.Box. 19395-5177
No. 44, Habibi St., South Dastour St.,
Sadr EXP'Way,
TEHRAN 19396
Phone +98 21 / 260 26 55
260 67 66
260 92 99
Telefax +98 21 / 200 28 83

ISRAEL *

Greenshpon Engineering Works LTD
Bar-Lev Industrial Park
MISGAV 20179
Phone +972 4 99 13 18 1
Telefax +972 4 99 13 47 7

ITALY *

Gerit Trasmissioni S.r.l.
Viale Monza 338
20128 MILANO
Phone +39 02 / 270 98.1
Telefax +39 02 / 270 98 290

JAPAN *

Miki Pulley Co., Ltd.
1-39-7 Komatsubara, Zama-city
KANAGAWA 228-8577
Phone +81 (0)462 / 58 16 61
Telefax +81 (0)462 / 58 17 04

LATVIA

see LITHUANIA

LITHUANIA

Lenze UAB
Breslaujos g.3
44403 KAUNAS
Phone +370 37 407174
Telefax +370 37 407175

LUXEMBOURG *

see BELGIUM

MACEDONIA

Lenze Antriebsstechnik GmbH
Pretstavništvo Skopje
ul. Nikola Rusinski 3/A/2
1000 SKOPJE
Phone +389 2 30 90 090
Telefax +389 2 30 90 091

MALAYSIA

Lenze S.E.A. Sdn Bhd
No. 28 Jalan PJU 3/47
Sunway Damansara
Technology Park
47810 PETALING JAYA
SELANGOR DARUL EHSAN
Phone +60 3 7803 1428
Telefax +60 3 7806 3728

MAURITIUS

Automation & Controls Engineering Ltd
3, Royal Road, Le Hochet, Terre Rouge
MAURITIUS
Phone +230 248 8211
Telefax +230 248 8968

MEXICO

Automatización y Control
de Energía S.A. de C.V.
Av. 2 No. 89 Esq Calle 13
Col. San Pedro de los Pinos
C.P. 03800 MEXICO D.F.
Phone +52 (55) 2636-3540
Telefax +52 (55) 2636-3541

MOROCCO

GUORFET G.T.D.R
Automatisation Industrielle
Bd Chefchaouni Route 110 km, 11.500
No. 353-Ain-Sabaâ
CASABLANCA
Phone +212/22-35 70 78
Telefax +212/22-35 71 04

NETHERLANDS *

Lenze B.V., Postbus 31 01
5203 DC'S-HERTOGENBOSCH
Ploegweg 15
5232 BR 'S-HERTOGENBOSCH
Phone +31 (0)73 / 64 56 50 0
Telefax +31 (0)73 / 64 56 51 0

NEW ZEALAND *

Tranz Corporation
343 Church Street
P.O. Box 12-320, Penrose
AUCKLAND
Phone +64 (0)9 / 63 45 51 1
Telefax +64 (0)9 / 63 45 51 8

NORWAY *

Dtc- Lenze as
Stallbakken 5, 2005 RAELINGEN
Phone +47 / 64 80 25 10
Telefax +47 / 64 80 25 11

PHILIPPINES

see MALAYSIA

POLAND

Lenze-Rotiw Sp. z o.o.
ul. Rożdżeńskiego 188b
40-203 KATOWICE
Phone +48 (0)32 / 2 03 97 73
Telefax +48 (0)32 / 7 81 01 80
Lenze Systemy Automatyki Sp. z o.o.
Ul. Rydygiera 47
87-100 TORUN
Phone +48 (0)56 / 6 58 28 00
6 45 34 60
6 45 35 70
Telefax +48 (0)56 / 6 45 33 56

PORTUGAL *

Costa Leal el Victor
Electronica-Pneumatica, Lda.
Rua Prof. Augusto Lessa, 269,
Apart. 52053
4202-801 PORTO
Phone +351-22 / 5 50 85 20
Telefax +351-22 / 5 02 40 05

ROMANIA

see AUSTRIA

RUSSIA

Inteldrive
1-st Buhvostova Street 12/11
Korpus 18 Office 213
MOSCOW 107258
Phone +7 (0) 095 / 748 78 27
Telefax +7 (0) 095 / 963 96 86

SERBIA-MONTENEGRO

see MACEDONIA

SINGAPORE *

see MALAYSIA

SLOVAC REPUBLIC

ECS Sluzby spol. s.r.o.
Staromlynska 29
82106 BRATISLAVA
Phone +421 2 45 25 96 06
+421 2 45 64 31 47
+421 2 45 64 31 48
Telefax +421 2 45 25 96 06

SLOVENIA

Lenze pogonska tehnika GmbH
Zbiljska Cesta 4
1215 MEDVODE
Phone +386 (0)1 361 61 41
Telefax +386 (0)1 361 22 88

SOUTH AFRICA *

S.A. Power Services (Pty.) Ltd.
Unit 14, Meadowbrook Business Estates
Jacaranda Ave, Olivedale
Randburg 2158
P.O.Box 1137
RANDBURG 2125
Phone +27(11) 462-8810
Telefax +27(11) 704-5775

SOUTH KOREA *

Hankuk Mechatro Ltd.
Room# 1409
Samhwan officetel 830-295
Beomil-dong, Dong-Gu
PUSAN
Phone +82 (0)51-635-6663
Telefax +82 (0)51-635-6632

SPAIN *

Lenze Transmisiones, S.A. (Headquarter)
Milà i Fontanals, 135-139
08205 SABADELL
Barcelona
Phone +34 937 207 680
Telefax +34 937 120 215
Lenze Delegación Bilbao
Pl. IbarraBarri. Ed. METRO 2º-E
48940 LEJONIA
Vizcaya
Phone +34 944 630 510 / 507
Telefax +34 944 314 196

Lenze Delegación Levante
Cullera, 73 - 4ºD
46035 BENIMAMET
Valencia
Phone +34 963 905 220/335
Telefax +34 963 900 647

Lenze Delegación Madrid
Arturo Soria, 187 - Of. 8
28043 MADRID
Phone +34 915 103 341
Telefax +34 915 102 061

SWEDEN *

Lenze Transmissioner AB
P.O.Box 10 74, Attorpsgratan, Tornby Ind.
58110 LINKÖPING
Phone +46 (0)13 / 35 58 00
Telefax +46 (0)13 / 10 36 23

SWITZERLAND *

Lenze Bachofen AG
Ackerstrasse 45
8610 USTER
Phone +41 (0) 43 399 14 14
Telefax +41 (0) 43 399 14 24

Vente Suisse Romande:
Route de Prilly 25
1023 CRISSIER
Phone +41 (0)21 / 63 72 19 0
Telefax +41 (0)21 / 63 72 19 9

SYRIA

Zahabi Co.
8/5 Shouhadaa Street
P.O.Box 8262
ALEPPO-SYRIA
Phone +963 21 21 22 23 5
Telefax +963 21 21 22 23 7

TAIWAN *

Lenze Taiwan Representative Office
4F, No. 5, Lane 83, Sec. 1
Kuang-Fu Road, San-Chung City
TAIPEI Hsien
Taiwan 241, R.O.C.
Phone +886 / (0)2-2995-8529
Telefax +886 / (0)2-2999-3775

ACE Pillar Co., Ltd.
2F, No. 7, Lane 83, Sec. 1
Kuang-Fu Road, San-Chung City
TAIPEI Shieng
Phone +886 / (0)2-2995-8400
Telefax +886 / (0)2-2995-3466

THAILAND

see MALAYSIA

TUNESIA

AMF Industrielle Sarl
Route de Gremda - Km 0,2
Immeuble El Madina,
Centre Bloc B - 5 ème - appt 52
3002 SFAX
Phone +216 74 403 514
Telefax +216 74 402 516

TURKEY

LSE Elektrik
Elektronik Makina
Otomasyon Mühendislik
San. Ve Tic. Ltd. Şti.
Atatürk mah. Cumhuriyet cad.
Yurt sok. No:7
ÜMRANİYE/İSTANBUL
Phone +90 (0)216 / 316 5138 pbx
Telefax +90 (0)216 / 443 4277
Bursa Address:
Demirtaspaşa Mh.
Ata Sk. Petek Bozkaya İş Merkezi
D Blok No :5 / A
OSMANGAZI / BURSA
Phone +90 (0)224-2733232 pbx
+90 (0)224-2734151
+90 (0)224-2733238
Telefax +90 (0)224-2734150

UKRAINE

SV Altera, Ltd.
Lepse ave., 4
KIEV, 03067
Phone +38 044 496 18 88
Telefax +38 044 496 18-18

UNITED ARAB EMIRATES

LPT (FZC)
Executive Suite X4-37
P.O. Box: 9304, SAIF ZONE
SHARJAH AIRPORT INTERNATIONAL
FREE ZONE (SAIF ZONE)
Phone +971 6 5573205
Telefax +971 6 5573206

UNITED KINGDOM/EIRE *

Lenze Ltd.
Caxton Road
BEDFORD MK 41 OHT
Phone +44 (0)1234 / 32 13 21
Telefax +44 (0)1234 / 26 18 15

USA *

AC Technology Corp.
630 Douglas Street
UXBRIDGE, MA 01569
Phone +1 508 / 278-9100
Telefax +1 508 / 278-7873

Lenze Corporation
1730 East Logan Avenue
EMPORIA, KS 66 801
Phone +1 620 / 343-8401
+1 888 / 269-2381
Telefax +1 620 / 342-2595
+1 800 / 469-0931

Lenze DETO Drive Systems USA, LLC
5912 Sterling Drive
HOWELL, MI 48843
Phone +1 517 / 586-4057
Telefax +1 517 / 586-4058

VIETNAM

see MALAYSIA



* Countries connected to the free expert helpline 008000 24 hours (008000 24 46877)

It's good to know | why we are there for you



"Our customers come first. Customer satisfaction is what motivates us. By thinking in terms of how we can add value for our customers we can increase productivity through reliability."



"The world is our marketplace. We develop and manufacture internationally. Wherever you are in the world, we are nearby."



"We will provide you with exactly what you need – perfectly co-ordinated products and solutions with the right functions for your machines and installations. That is what we mean by 'quality'."



"Take advantage of our wealth of expertise. For more than 50 years we have been gathering experience in various fields and implementing it consistently and rigorously in our products, motion functions and preprepared solutions for industry."



"We identify with your targets and strive towards a long-term partnership which benefits both sides. Our competent support and consultation process means that we can provide you with tailor-made solutions. We are there for you and can offer assistance in all of the key processes."

You can rely on our service. Expert advice is available 24 hours a day, 365 days a year, in more than 30 countries via our international helpline: 008000 24 Hours (008000 2446877).

www.Lenze.com

13064760