

323U/D and 323U/4D

Metering and Transfer Pump
 Auto/Manual Control
 IP31 Wipedown Enclosure



Technical Information and Features

- Flow rates from 0.09 to 2000 mL/min (0.001-31.7 gph)
- Operator friendly keypad offering:
 - Start, stop, speed control, fwd/rev, control mode
 - Precise manual speed control from 3-400 rpm in 1 rpm increments
 - Large clear LCD display with accurate digital monitoring for clear RPM indication
 - “Auto-restart” and “keypad lock” functions
 - Memo Dose feature allows manually actuated repetitive discrete volume dispensing
- 133:1 speed control range
- Remote speed control via 0-10VDC or 4-20mA analog speed input when in Analog mode
- Remote start/stop capability via dry contact closure or TTL switching
- Remote direction control capability via dry contact closure or TTL switching
- Tough metal and ABS case with broad chemical resistance and IP31 wipedown enclosure
- Brushless DC motor for excellent speed control, quiet operation, and no maintenance
- Fitted easy loading flip-top three roller 313D or four roller 314D pumpheads
- Optional three roller 313X and four roller 314X extension pumpheads for up to 6 channels of flow
- 313D and 314D and extension heads accept tube sizes # 112, 13, 14, 16, 25, 17, and 18 (0.5-8.0 mm bore & 1.6 mm wall)
- 313D2 and 314D2 accept thick wall tube sizes # 105, 108, 119, 120, 15, 24 (0.5-6.4 mm bore & 2.4 mm thick wall)
- May be fitted with optional four roller 314MC or eight roller 318MC five-channel microcassette pumpheads – stackable for up to ten channels of flow with manifold tubing

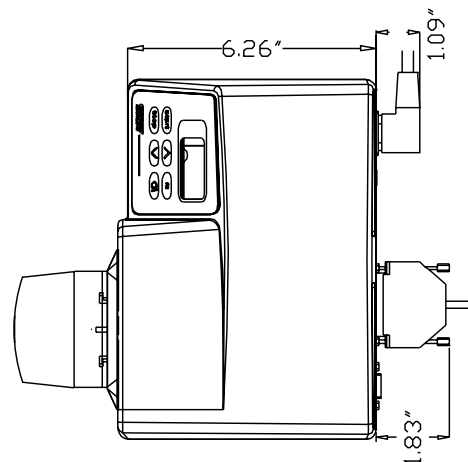
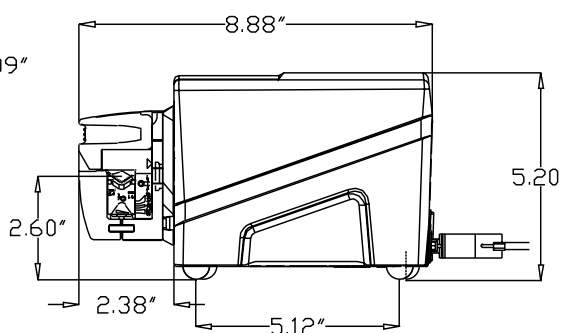
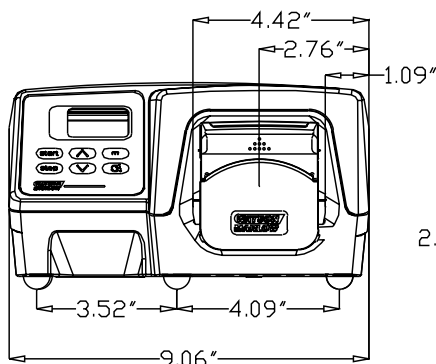
Flow Rate Ranges (ml/min*)

1.6 mm Wall Tube #	112	13	14	16	25	17	18
2.4 mm Wall Tube #	105	108	119	120	15	24	N/A
Tube Bore	0.5mm 1/50"	0.8mm 1/32"	1.6mm 1/16"	3.2mm 1/8"	4.8mm 3/16"	6.4mm 1/4"	8.0mm 5/16"
313 Pumphead (3 Roller)	0.09-12	0.21-28	0.81-110	3.0-400	6.6-880	11-1440	15-2000
314 Pumphead (4 Roller)	0.09-12	0.18-24	0.75-100	2.6-340	5.7-760	9.0-1200	12-1600

Maximum Number of Channels with 1.6mm Wall Tubing with 313 or 314 Extension Pumpheads, up to 30 psi

Tube Bore	0.5mm	0.8mm	1.6mm	3.2mm	4.8mm	6.4mm	8.0mm
Silicone	6	6	5	3	2	1	1
Other Materials	6	6	4	2	2	1	1

* 1 gal = 3785.4 ml



323U/D and 323U/4D Metering and Transfer Pump Auto/Manual Control - IP31 Wipedown Enclosure

Specifications

Shipping Weight: 9.9lbs
Maximum Power Consumption: 100VA
Supply: 100-120/220-240V 50-60Hz (voltage selectable)
Maximum Rotor Speeds: 400 rpm
Enclosure: IP31 wipedown
Operational Temperature Range: 4°C to 40°C (40°F to 104°F)
Control Range: 133:1
Noise: <70dBA at 1 meter
Standards: Equipment complies with all applicable CE directives

Product Codes

323U Drive, 400 rpm	036.3144.00A
313D 3 roller pumphead for 1.6 mm wall	033.3411.000
313X 3 roller extension pumphead for 1.6 mm wall	033.3431.000
314D 4 roller pumphead for 1.6 mm wall	033.4411.000
314X 4 roller extension pumphead for 1.6 mm wall	033.4431.000
313D2 3 roller pumphead for 2.4 mm wall	033.3511.000
314D2 4 roller pumphead for 2.4 mm wall	033.4511.000
Complete 323U/D	030.3144.3DA
Complete 323U/D2	030.3144.32A

Materials of Construction

Pumphead
Pump Track & Lever: IXEF
Rollers: Nylatron
Spindles: Electroless nickel plated hardened steel
Bearings: Bronze bush
Drive
Drive Base: Powder coated aluminum casting
Drive Top: ABS Plastic
Bayonet Mounting Plate: IXEF

Available Tubing Materials

1.6 mm wall for 313D & 314D	2.4 mm wall for 313D2 & 314D2
Bioprene®	Bioprene® (excl. 0.5&0.8mm)
Marprene®	Marprene® (excl. 0.5&0.8mm)
Silicone	Silicone
Neoprene (excl. 0.5 mm)	Sta-Pure™ (excl. 0.5&0.8mm)
Butyl (excl. 0.5&0.8mm)	Chem-Sure™ (excl. 0.5&0.8mm)
Tygon® (excl. 0.5&0.8)	
Fluorel™ (excl. 0.5&0.8mm)	
Sta-Pure™ (excl. 0.5&0.8mm)	
Chem-Sure™ (excl. 0.5&0.8mm)	

The information contained in this document is believed to be correct, but Watson-Marlow Bredel Pumps accepts no liability for any errors it contains, and reserves the right to alter specifications without notice.
 Sta-Pure and Chem-Sure are trademarks of W.L. Gore & Associates, Inc.
 Tygon is a trademark of the Saint-Gobain Corporation. Fluorel is a trademark of 3M Corporation.

Watson-Marlow Bredel Pumps

37 UPTON TECHNOLOGY PARK, WILMINGTON, MA 01887-1018
 TEL: 978-658-6168 / FAX: 978-658-0041
 www.watson-marlow.com
 support@wmbpumps.com

wd-323ud-us-01